

Ockular®

Graphical Fire Management System

Features

- ▶ View and manage fire system status via a PC
- ▶ Perform fire panel control operations
- ▶ Secure and fully configurable
- ▶ Event log filtering and reporting
- ▶ Device analogue value reporting
- ▶ Supports dual monitors
- ▶ Supplied complete with control panel interface card and licence dongle
- ▶ Compatible with Taktis, Syncro and Syncro AS fire systems



Description

A powerful and sophisticated software solution, Ockular gives building managers complete monitoring and control over fire detection, providing a comprehensive risk and incident management system. Where time is of the essence, site managers can respond quickly and efficiently to a fire event. Ockular plays a crucial role in safeguarding people, vitally important information and property.

Visual Fire Management

Ockular is configured with detailed map layouts of the building or sections of the building showing locations of all fire alarm devices. In a fire event Ockular will automatically display the floor/area map with the device in alarm highlighted enabling rapid response and direction of emergency resources. Ockular monitors all events from the fire system including faults, disablements etc. allowing operators to easily manage incidents.

Flexibility

Multiple user accounts can be configured within Ockular with each account having customised permissions enabling the end user to customise access and control for their site.

Fire System Maintenance

A maintainer's area provides dedicated functions for a fire alarm system's maintenance team. A comprehensive list of all fire devices along with their statuses, cause and effect rules and integration settings allows operators to quickly view a device, make changes and disable devices all from one workstation. For all fire devices on the site, a maintainer's log shows operators and engineers a view of all recorded maintenance activities, previous faults and status histories to help speed up maintenance procedures and device checks.

Immediate Response

With Ockular, operators and users are alerted to an event as soon as it occurs and are directed to the location of the event.



Dedicated System PC or Laptop* - Ockular Installed

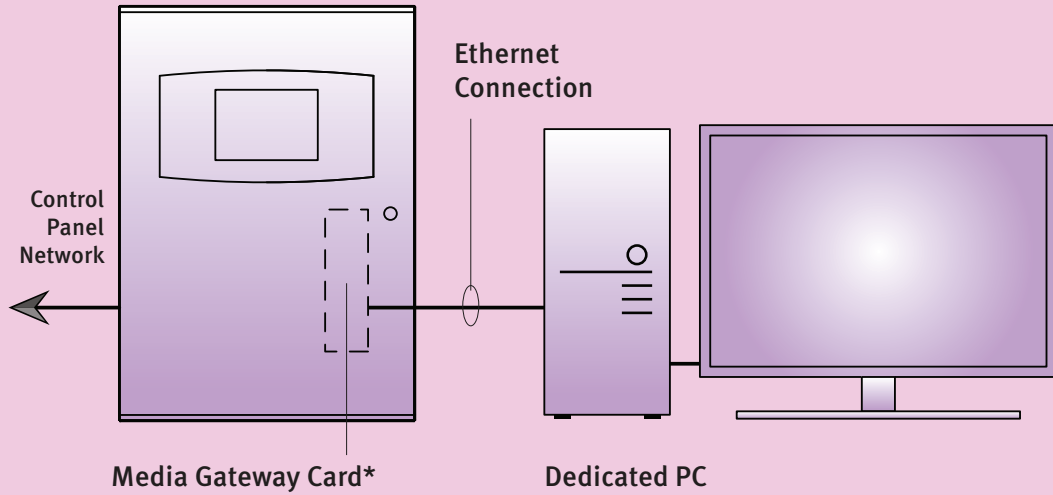
Fire Alarm Control Panel Network

*PC/Laptop not included

Ockular
Information and Clarity

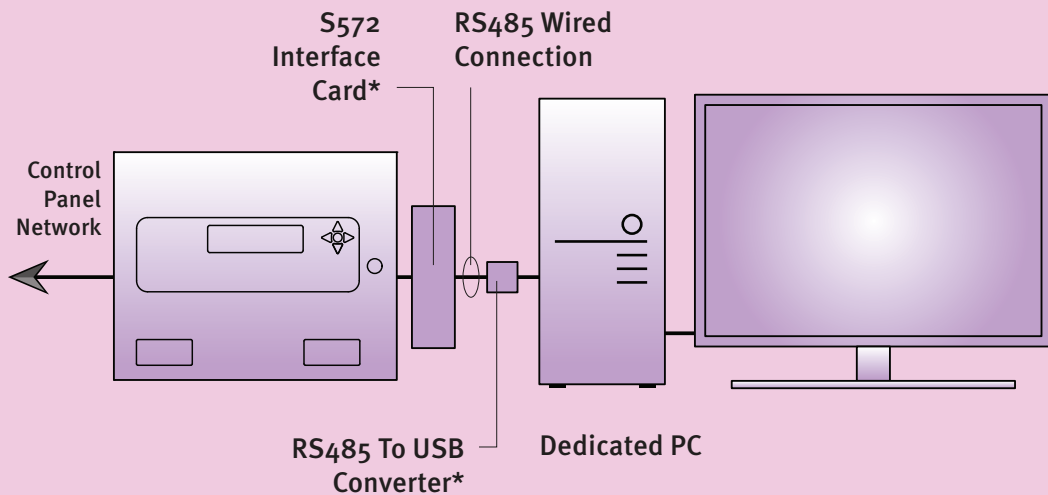
Connection Overview

Ockular with Taktis Fire Alarm Control Panel



Included in Ockular package*

Ockular with Syncro/Syncro AS Fire Alarm Control Panel



Included in Ockular package*

Specification

<p>Recommended System Requirements</p>	<p>Standalone PC</p> <ul style="list-style-type: none"> ▶ Intel® Core™ i5 64 bit CPU ▶ 16 Gb RAM ▶ 0.5 Gb HDD space ▶ Spare USB 2.0 port 2 x USB ports are required for the OSEN products (USB-RS485 interface plus licence key) ▶ Ethernet connection ▶ Up to 2 monitors
---	---

Product Codes

<p>OTEN2004</p>	<p>Ockular® Taktis® - Small Panel Package Graphical Fire Alarm Management System licenced to monitor a Taktis network of up to 4 nodes. Package contains:</p> <ul style="list-style-type: none"> ▶ Taktis Media Gateway card (K794) ▶ Ockular licence dongle ▶ USB memory stick containing Ockular software and manuals
<p>OTEN2016</p>	<p>Ockular® Taktis® - Medium Panel Package Graphical Fire Alarm Management System licenced to monitor a Taktis network of up to 16 nodes. Package contains:</p> <ul style="list-style-type: none"> ▶ Taktis Media Gateway card (K794) ▶ Ockular licence dongle ▶ USB memory stick containing Ockular software and manuals
<p>OTEN2128</p>	<p>Ockular® Taktis® - Large Panel Package Graphical Fire Alarm Management System licenced to monitor a Taktis network of up to 127 nodes. Package contains:</p> <ul style="list-style-type: none"> ▶ Taktis Media Gateway card (K794) ▶ Ockular licence dongle ▶ USB memory stick containing Ockular software and manuals
<p>OSEN2004</p>	<p>Ockular® Syncro AS/Syncro - Small Panel Package Graphical Fire Alarm Management System licenced to monitor a Taktis network of up to 4 nodes. Package contains:</p> <ul style="list-style-type: none"> ▶ Interface PCB (S572) ▶ USB/RS232 serial converter ▶ Ockular licence dongle ▶ USB memory stick containing Ockular software and manuals
<p>OSEN2016</p>	<p>Ockular® Syncro AS/Syncro - Medium Panel Package Graphical Fire Alarm Management System licenced to monitor a Taktis network of up to 16 nodes. Package contains:</p> <ul style="list-style-type: none"> ▶ Interface PCB (S572) ▶ USB/RS232 serial converter ▶ Ockular licence dongle ▶ USB memory stick containing Ockular software and manuals
<p>OSEN2064</p>	<p>Ockular® Syncro AS/Syncro - Large Panel Package Graphical Fire Alarm Management System licenced to monitor a Taktis network of up to 64 nodes. Package contains:</p> <ul style="list-style-type: none"> ▶ Interface PCB (S572) ▶ USB/RS232 serial converter ▶ Ockular licence dongle ▶ USB memory stick containing Ockular software and manuals

Datasheet DS147/04/20

For further information visit www.kentec.co.uk

Kentec Electronics Ltd. reserves the right to alter the specification of its products from time to time without notice. Although every effort has been made to ensure the accuracy of the information contained in this document it is not warranted or represented by Kentec Electronics Ltd. to be a complete and up-to-date description.