


POWERTECH


DESIGNED FOR RESIDENTIAL APPLICATION

KIT PW220/PW230 SWING GATE OPENERS USER MANUAL

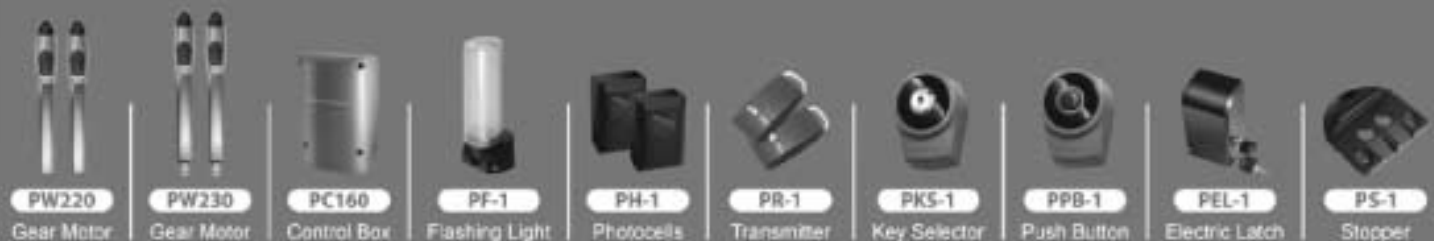


PW220/PW230 electro-mechanical swing gate operators are designed for residential application.

Stylish appearance of the gear motors with innovative design of motor release by specialized key in case of power failure.

Over-current function with adjustable torque setting provides various choices for the gate installation.

KIT PW220/PW230 Package Contents:



INDEX

Warnings	2
1. Product Description	3
1.1 Applications	3
1.2 Description of The Automation	3
1.3 Description of Devices	3
1.3.1 PW220/PW230 Electromechanical Gear Motors	4
1.3.2 PC160 Control Box	4
1.3.3 PH-1 Photocells	4
1.3.4 PKS-1 Key Selector	5
1.3.5 PPB-1 Push Button	5
1.3.6 PF-1 Flashing Light	5
1.3.7 PR-1 Radio Transmitter	5
1.3.8 PEL-1 Electric Latch and PS-1 Stopper	6
2. Installation	6
2.1 Notes of Motors in Operation	6
2.1.1 Tools in Installing	6
2.1.2 Motors, Components and Its Installation in Illustration	7
2.2 Power Connection	7
2.2.1 Notes for Power Connection	7
2.3 Installation	8
2.3.1 Preparation for Motor Installation	8
2.3.2 Installation of The Gear Motors	10
2.3.3 PKS-1 Key Selector	12
2.3.4 PPB-1 Push Button	13
2.3.5 PF-1 Flashing Light	14
2.3.6 PH-1 Photocells	15
2.3.7 PEL-1 Electric Latch and PS-1 Stopper	16
2.3.8 PC160 Control Box	18
3. Dip Switch Setting	21
3.1 Functional Switch and LED lights Introduction	22
3.2 Transmitter Memorizing and Erasing Process	23
3.3 System Learning Process	24
3.4 Gate Operation	24
3.5 Gate-moving Logic	24
4. Trouble Shooting	25
5. Technical Characteristics	25
5.1 PW220	25
5.2 PW230	26
5.3 PC160 Control Box	26
5.4 PH-1 Photocells	26
5.5 PKS-1 Key Selector	27
5.6 PPB-1 Push Button	27
5.7 PF-1 Flashing Light	27
5.8 PR-1 Transmitter	27
5.9 PEL-1 Electric Latch	27
6. Annexes	28
6.1 CE Declaration of Conformity	28

Warnings

Please read this instruction manual carefully before the installation of gate-automated system.

This manual is exclusively for qualified installation personnel. Powertech Electronics Inc. is not responsible for improper installation and failure to comply with local electrical and building regulations.

Keep all the components of PW220/PW230 system and this manual for further consultation.

- In this manual, please pay extra attention to the contents marked by the symbol:



- Be aware of the hazards that may exist in the procedures of installation and operation of the gate-automated system. Also, the installation must be carried out in conformity with local standards and regulations.
- If the system is correctly installed and used following all the standards and regulations, it will ensure a high degree of safety.
- Make sure that the gates works properly before installing the gate-automated system and confirm the gates are appropriate for the application.
- Do not let children operate or play with the gate-automated system.
- Do not cross the path of the gate-automated system when operating.
- Please keep all the control devices and any other pulse generator away from children to avoid the gate-automated system being activated accidentally.
- Do not make any modifications to any components except that it is mentioned in this manual.
- Do not try to manually open or close the gates before you release the gear motors.
- If there is a failure that cannot be solved and is not mentioned in this manual, please contact qualified installation personnel.
- Do not use the gate-automated system before all the procedures and instructions have been carried out and thoroughly read.
- Test the gate-automated system weekly and have qualified installation personnel to check and maintain the system at least every 6-month.
- Install warning signs (if necessary) on the both sides of the gate to warn the people in the area of potential hazards.

1 Product Description

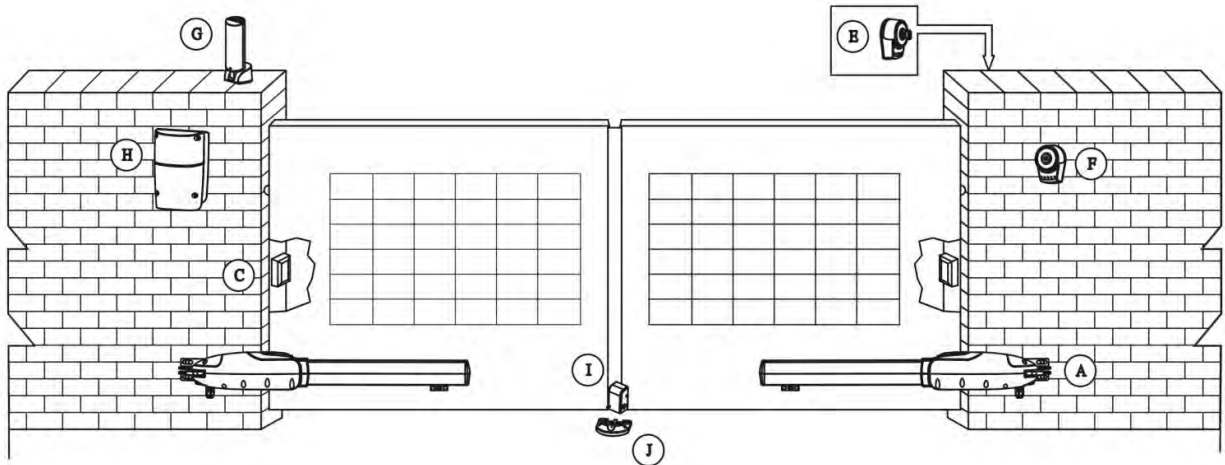
1.1 Applications

PW220/PW230 is applied for residential automation of single or dual leaf gate. PW220/PW230 has to be operated with electricity and it's forbidden to be operated by back-up batteries for normal use. Back-up batteries are only allowed for emergent operation when there is a power failure, and the gear motors can be released by special keys to move the gate manually.

1.2 Description of the Automation

The following diagram of PW220/PW230 typical installation describes some terms and accessories of a gate automation system:

Figure 1



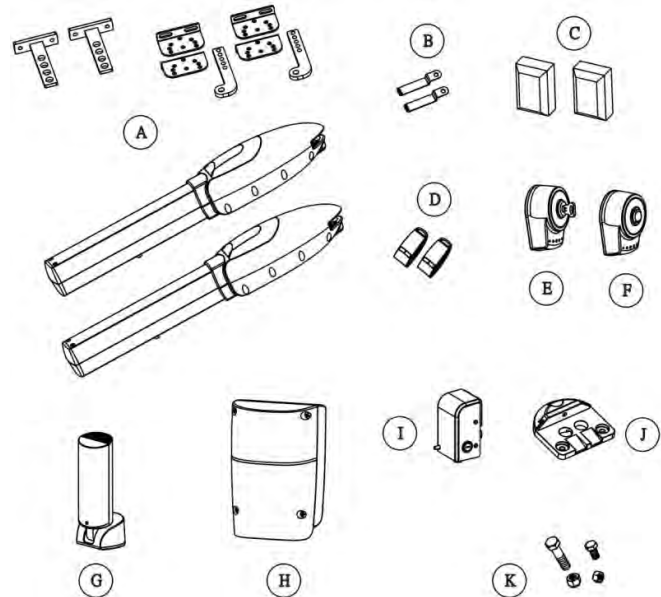
1.3 Description of Devices

PW220/PW230 includes the accessories shown in **Figure 2**. Please check the accessories the same as the package provided.

Attention: Some accessories of PW220/PW230 are not included due to local regulations or customized order.

- A) 2 PW220/PW230 electromechanical gear motors with mounting brackets.
 - B) 2 release keys.
 - C) 1 pair of PH-1 photocells. (one TX and one RX)
 - D) 2 PR-1 radio transmitters.
 - E) 1 PKS-1 key selector with two keys.
 - F) 1 PPB-1 push button switch.
 - G) 1 PF-1 flashing light.
 - H) 1 PC160 control box
 - I) 1 PEL-1 electric latch.
 - J) 1 PS-1 stopper.
 - K) Various small parts: bolts, nuts, etc.
- See **Tables 1, 2, 3, 4, 5, 6**.

Figure 2



1.3.1 PW220/PW230 Electromechanical Gear Motors

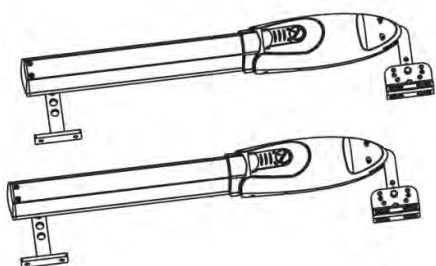
PW220/PW230 consists of a worm screw reduction gear and a 24V direct current motor. The gear motor could be released manually by special release keys when there is a power failure.

The gear motor is installed with two post brackets, one rear plate and one front plate for the installation.

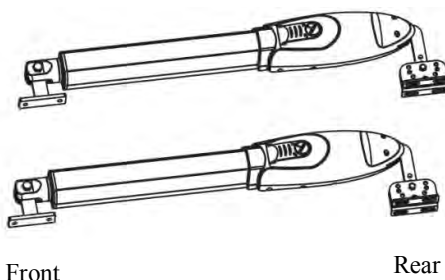
Table 1: List of small parts	PW220	PW230
Front plate	2pcs	2pcs
Rear plate	2pcs	2pcs
Post bracket	4pcs	4pcs
M8*25L hex bolt	4pcs	4pcs
M8 self-locking nut	4pcs	4pcs
M12 *25L hex bolt	0	2pcs
M12 self-locking nut	2pcs	2pcs
Release key	2pcs	2pcs

Figure 3

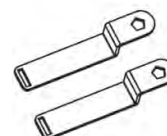
1)PW220



2)PW230



3)Release Key



1.3.2 PC160 Control Box

PC160 control box consists of one control panel with incorporated receiver, one transformer and two back-up batteries.

PC160 provides the complete automation of the gear motors and other accessories of PW220/PW230 kit.

To connect separate terminals on the control panel and activate the gear motors and other accessories, the installation manual has to be carefully read beforehand.

Figure 4

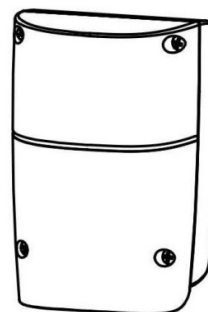
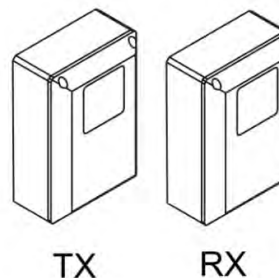


Table 2: List of small parts for PC160	Quantity
5*30 Screw	4pcs
Nylon screw anchor	4pcs

1.3.3 PH-1 Photocells

The pair of PH-1 photocells has to be installed on the wall and connected to the control panel. The function of the photocells is to detect the obstacles found on the optical axis between the transmitter (TX) and the receiver (RX).

Figure 5

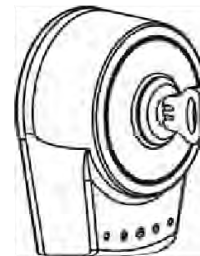


1.3.4 PKS-1 Key Selector

The PKS-1 key selector is used for opening the gate outdoors without the radio transmitter. PKS-1 key selector is supplied with two keys

Table 3: List of small parts for PKS-1	Quantity
3*20 Screw	3pcs
Nylon screw anchor	3pcs
Key	2pcs

Figure 6

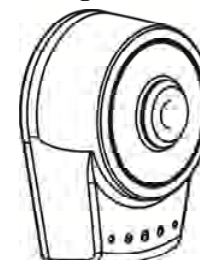


1.3.5 PPB-1 Push Button

The PPB-1 push button is used for opening the gate indoors without the radio transmitter.

Table 4: List of small parts for PPB-1	Quantity
3*20 Screw	3pcs
Nylon screw anchor	3pcs

Figure 7

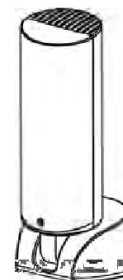


1.3.6 PF-1 Flashing Light

PF-1 flashing light is controlled by PC160 control box and blinks when the gate is moving. The flashing light stops blinking when the gates finish opening or closing.

Table 5: List of small parts for PF-1	Quantity
3*20 Screw	3pcs
Nylon screw anchor	3pcs

Figure 8



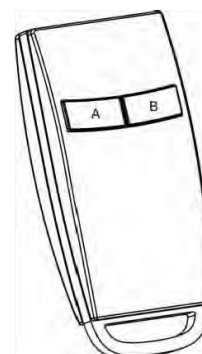
1.3.7 PR-1 Radio Transmitter

PR-1 radio transmitter is used for the remote control of the gate movement.

To use the transmitter, press and hold the button for 1 second.

There are two buttons on the transmitter for operating dual-gate (A) or single-gate (B) opening and closing.

Figure 9



1.3.8 PEL-1 Electric Latch and PS-1 Stopper

PEL-1 electric latch is used to lock the gate and it has to be used with PS-1 stopper and installed on the master gate.

Figure 10

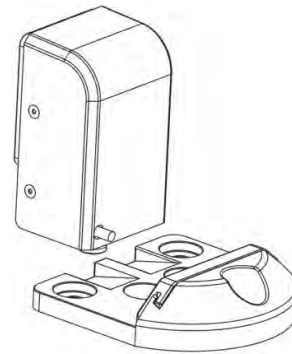


Table 6: List of small parts for PEL-1 and PS-1	Quantity
M8*25L hex bolt	3pcs
M8 self-locking nut	3pcs
Key	2pcs

2. Installation:

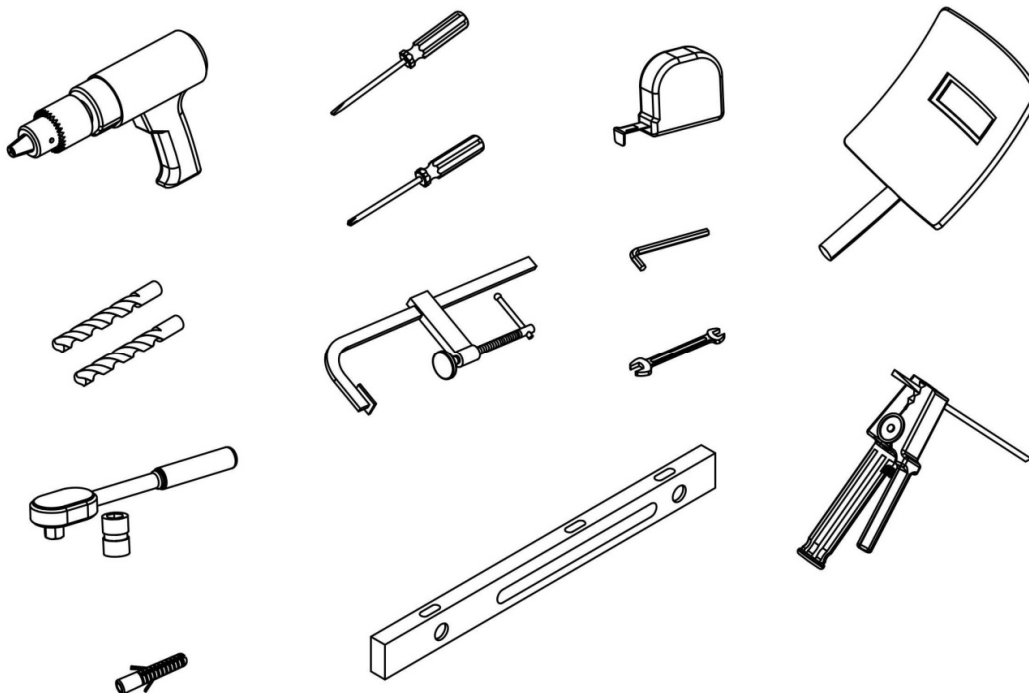
2.1 Notes of Motors in Operation

The PW220/PW230 gate openers are applicable to per leaf of 2.5/3.5 meters in width and 200/300 kg in weight which can be opened up to 110 degrees primarily for residential use; where the performance shall be influenced by the factors such as gate dimension, weight and climate that the driven torque is necessarily to be adjusted properly.

2.1.1 Tools in Installing

Please make sure all tools and cables are ready and conform to the industrial safety standard before installation. Please refer to Figure 11.

Figure 11

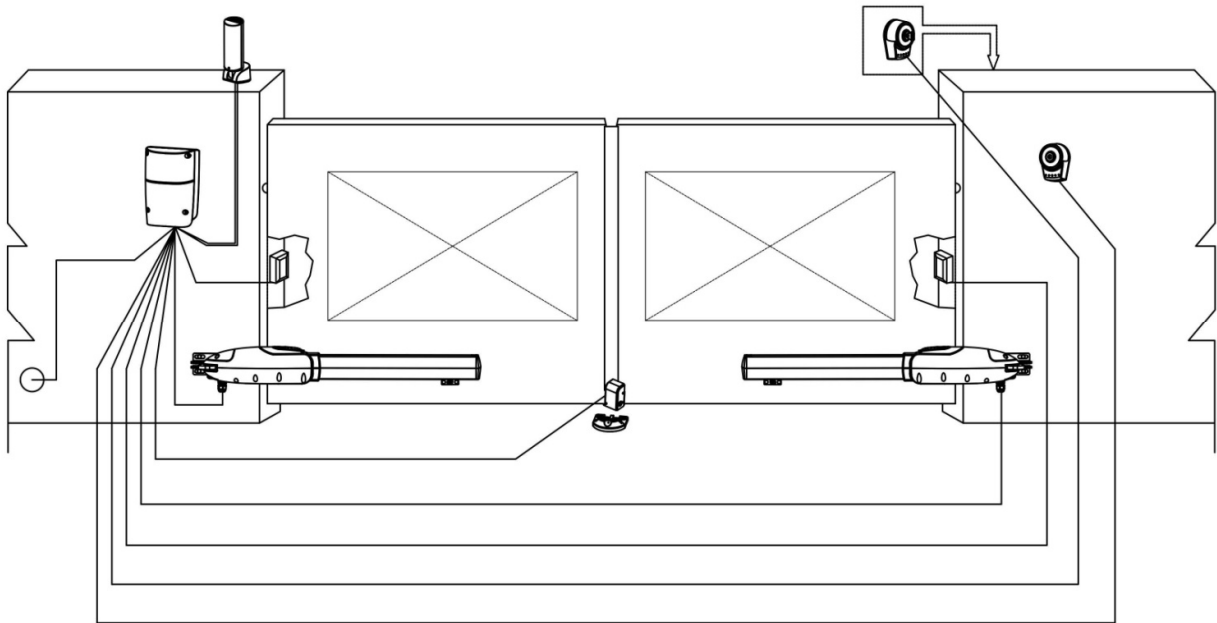


2.1.2 Motors, Components and Its Installation in Illustration

The installation procedure of PW220/PW230 may be changed due to various accessories and quantities installed. The basic wiring diagram is shown in **Figure 12**.

No wiring cables for accessories are supplied with KIT PW220/PW230.

Figure 12



2.2 Power Connection

PW220/PW230 is required to connect two cores wires, which requires very low voltage that no professionally trained personnel is required in installation; however, the users are advised to read the installation manual carefully before going for it. After getting to know all accessories and their positions, suggest starting from cable conduit arrangement to prevent the cables from being broken or damaged.

2.2.1 Notes for Power Connection

1. The installation of power supply cable to the motor should be carried out by a qualified professional electrician.
2. The power supply cable of the motor should be equipped with short circuit protection and leakage protection. Please make sure to shut off the power before going installation or maintenance.

2.3 Installation

2.3.1 Preparation for Motor Installation

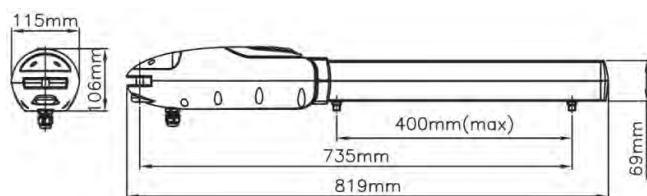
PW220/PW230 is not applicable to a gate which is inefficient or unsafe, neither to solve the defects due to incorrect installation nor poor maintenance.

Check the following items before going for installation:

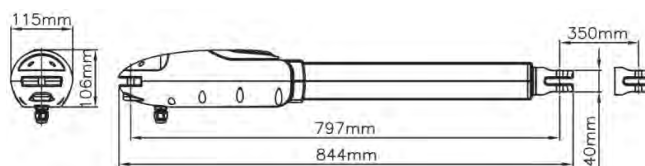
1. Make sure the weight and dimensions of the gate conform to the operation range of PW220/PW230. Don't use PW220/PW230 if the gate specifications do not meet the requirements.
2. Make sure the gate structure conform to the criteria of automatic operation and force regulations.
3. Make sure there is no serious friction existing in the opening or closing travel of the gate leaves.
4. Make sure the gate is at horizontal level that the gate will not move aside at any position.
5. Make sure the gate can bear the impact of the motor torque when it is installed on any hole of the bracket which the surface is sufficiently sturdy.
6. Make sure the photo sensors are installed on flat surfaces to ensure the two ends of receiving and transmitting corresponded to each other.
7. Check the dimensions of the motors as below.

Figure 13

(1) Dimension of PW220



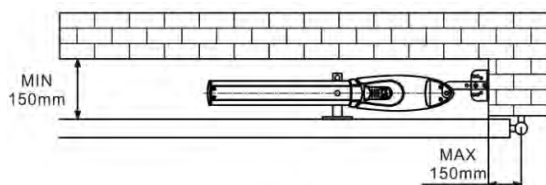
(2) Dimension of PW230



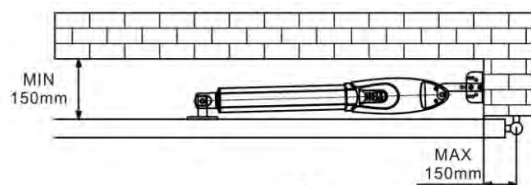
8. Make sure to leave enough space when the gate is opening.

Figure 14 (aerial view)

(1)PW220



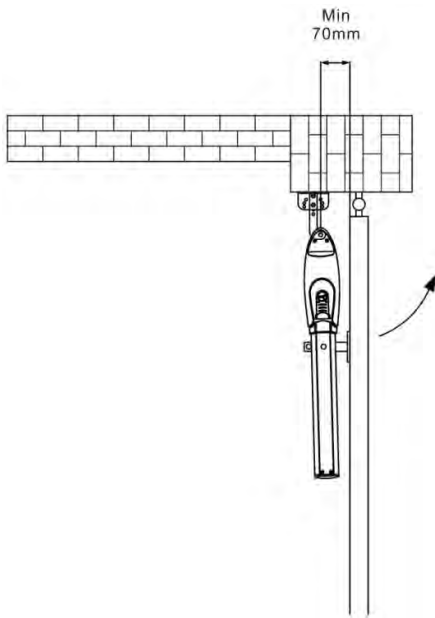
(2)PW230



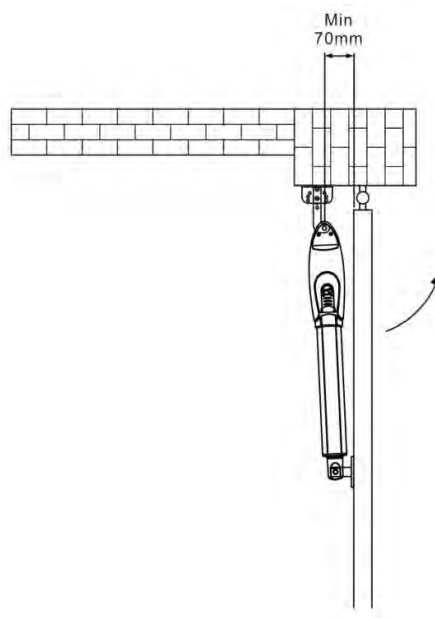
9. If the gate is **OPENED OUTWARD**, please leave at least 70mm between the post brackets and the gate.

Figure 15 (aerial view)

(1)PW220



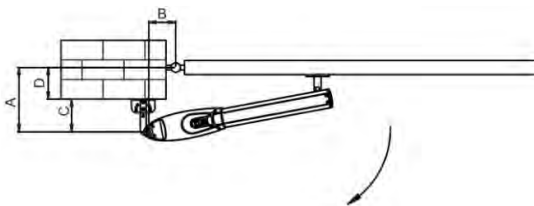
(2)PW230



10. Using the leaf-opening angle as criteria to make sure all criteria in **Figure 17** can be met.

Figure 16 (aerial view)

(1) PW220



(2) PW230

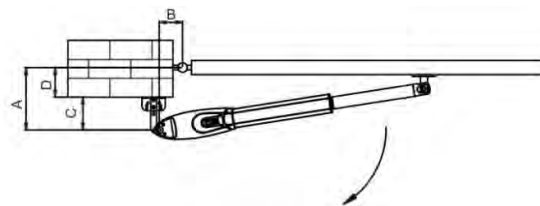
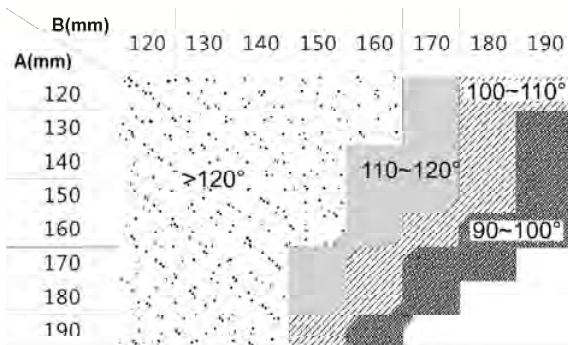


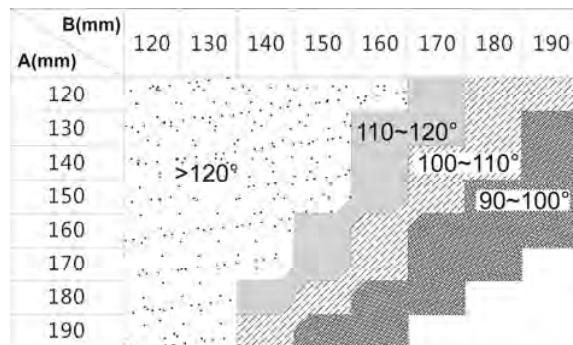
Figure 17

(1) PW220



Model:PW220

(2) PW230



Model:PW230

11. "C" value is 139mm.
 12. "D" can be measured from the gate easily.

13. "A" = "C" + "D"

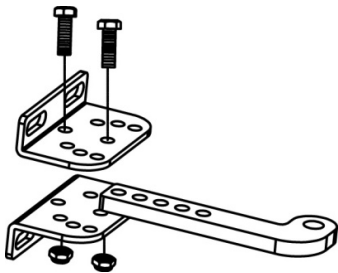
14. The value of "B" can be calculated from the value of "A" and the leaves opening angle. Ex. If "A"=160mm with the leaves opening angle of 100 degrees, then the value of "B" is approximate 190mm.

**Please make sure "B" and "A" are similar or the same in value that the leaves can be operated smoothly, also to reduce the burden of the motor.

2.3.2 Installation of The Gear Motors

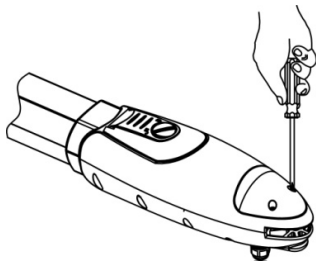
1. Choose the correct dimensions of the motors and position to be installed.
2. Check if the mounting surface the brackets to be installed is smooth, vertical and rigid.
3. Arrange the cable conduit for power supply cable of the motors.
4. In order to obtain the optimal supporting from the rear plate, please assemble two post brackets and one rear metal plate according to **Figure 18**.

Figure 18



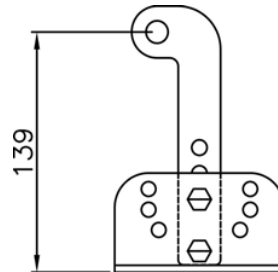
5. Loosen the two screws and remove the back cover of the motor as shown in **Figure 19**.

Figure 19



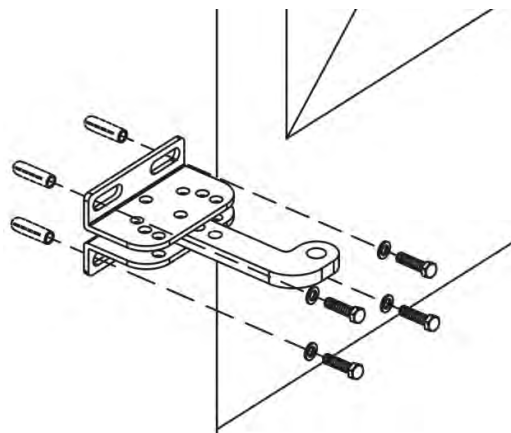
6. Place the leaves in the closed position.
7. Refer to the distance of "B" in **Figure 17**, place the rear plate in the correct position on the mounting surface. Inspect if the distance is proper as shown in **Figure 23** i.e. the position the front plate of the motor to be installed.

Figure 20



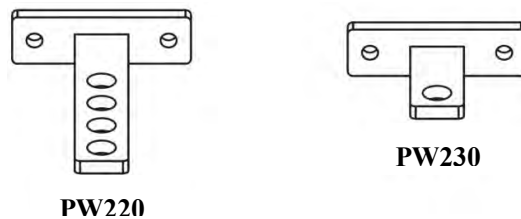
8. Place two post brackets on the surface to be installed and mark the drilling points, then drill minimum diameter of 8mm holes by four on the mounting surface to be installed and fasten up the brackets with screws and washers.

Figure 21



9. Please make sure the front plate is completely installed horizontally.

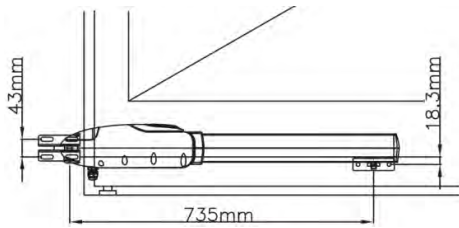
Figure 22



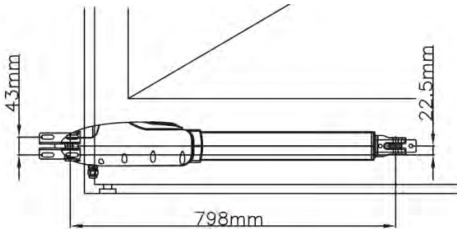
10. Refer to **Figure 23**, the distance between front plate of the motor and rear plate is 735mm (PW220) / 798mm (PW230), the difference in height is 18.3mm (PW220) / 22.5mm (PW230).

Figure 23

- (1) PW220



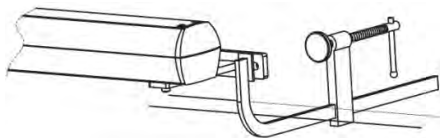
- (2) PW230



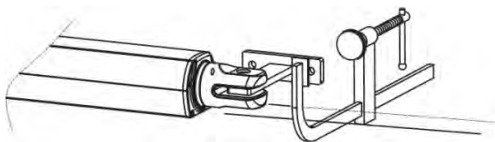
11. Clamp and fix the motor front plate on the door temporarily.

Figure 24

- (1) PW220

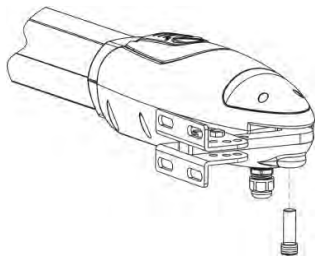


- (2) PW230



12. Lift up the motor and insert the screws into the front plate.
13. Lift the motor overhead and push the gate to the end until the screw holes of the motor end matches the holes on the rear plate. Fasten the motor to the rear plate with the bolt as shown in **Figure 25**.

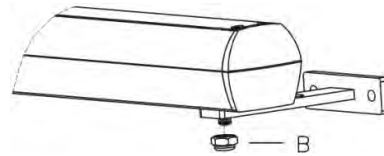
Figure 25



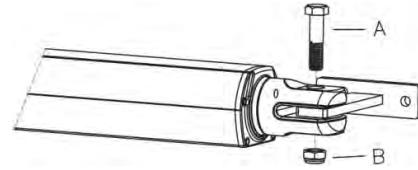
14. Fasten the nut tightly and loosen it for half round for motor supporting in rotating.
15. Fasten the motor front end to the front plate with the bolt (A) and nut (B) tightly. Fully tighten the screw.

Figure 26

- (1) PW220

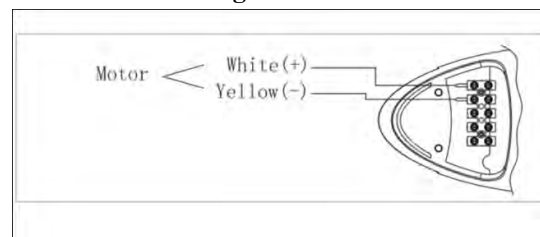


- (2) PW230



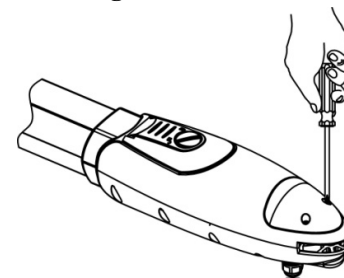
16. Use appropriate release key to release the gear motor.
17. Try to push the released gate and make sure the motor can be manually moved easily.
18. Make sure the motor front plate can be fastened on the gate to be installed permanently.
19. Use the appropriate release key to fasten the gear motor again.
20. Loosen the plastic nut under the power cable of the motor end, and penetrate the power cable through the nut and screw it up.
21. Connect the motor power cable as shown in **Figure 27**.

Figure 27



22. Close the gear motor cover by tightening the two screws as shown in **Figure 28**.

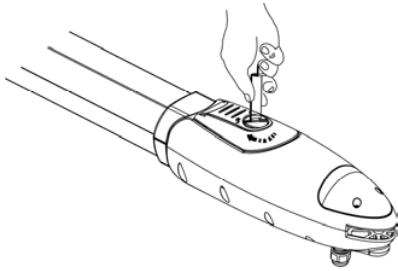
Figure 28



23. Gear Motor Release

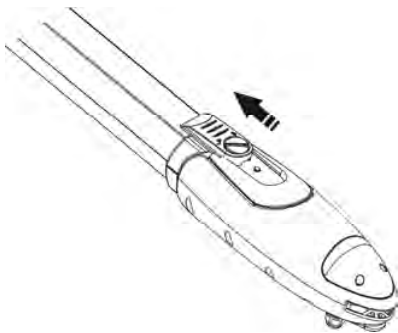
- 1) Turn the round plate on the release part to "OPEN" position.
See **Figure 29**.

Figure 29



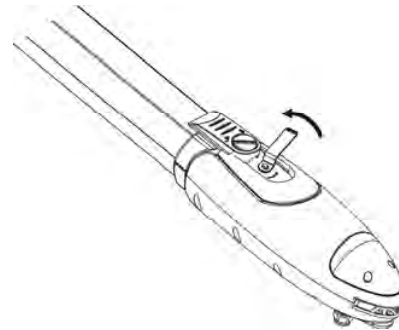
- 2) Push out the release part to the end. See **Figure 30**.

Figure 30



- 3) Use the release key to turn the pin anti-clockwise to the end. See **Figure 31**.

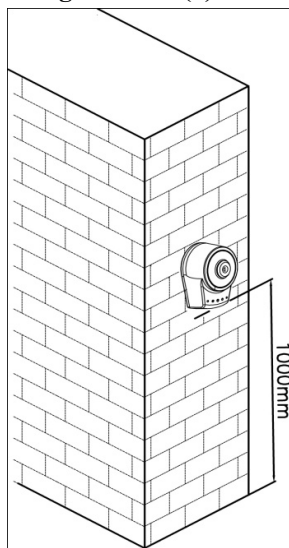
Figure 31



2.3.3 PKS-1 Key-Selector

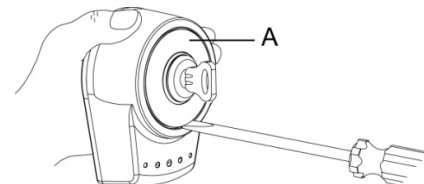
1. PKS-1 key selector is installed outside and close to the gate at the height of about 100cm, so that it could be used by most people. Decide the installation position of PKS-1 first. See **Figure 2.3.3 (1)**.

Figure 2.3.3 (1)



2. Remove the round cover (A) by prizing it out with the tip of a screwdriver. See **Figure 2.3.3 (2)**.

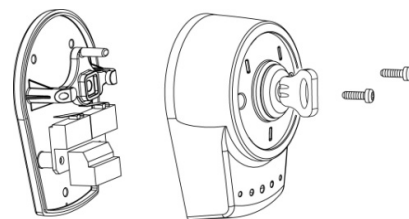
Figure 2.3.3 (2)



3. Unscrew the two screws beside the lock body.

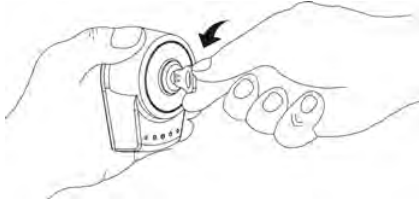
See **Figure 2.3.3 (3)**.

Figure 2.3.3 (3)



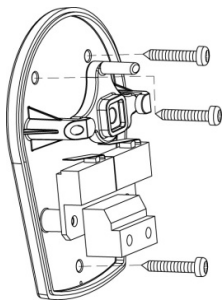
- Turn the key and separate the bottom of the shell with the lock body. See **Figure 2.3.3 (4)**.

Figure 2.3.3 (4)



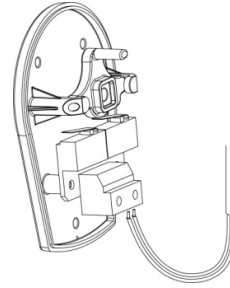
- Breach the three holes at the bottom and mark the points by the holes as reference.
- Drill the holes in the wall and fix the bottom to the wall by three screws. See **Figure 2.3.3 (5)**.

Figure 2.3.3 (5)



- Connect the electric wires to the terminals as shown in **Figure 2.3.3(6)**, and it's not required to distinguish any polarity. The terminals can be removed for connecting the wires easily.

Figure 2.3.3 (6)

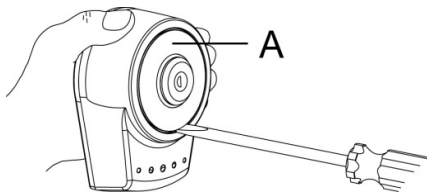


- Turn the key and insert the shell on the bottom. Turn the key back to the center position and the shell will be fixed to the bottom.
- Tighten the lock body with the two screws and insert the round cover by pressing it to attach to the whole unit.

2.3.4 PPB-1 Push Button

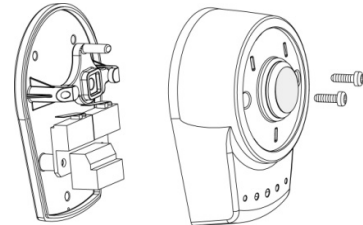
- PPB-1 push button is installed indoors at the height of about 100cm, so that it could be used by most people.
- Remove the round cover (A) by prizing it out with the tip of a screwdriver. See **Figure 2.3.4 (1)**.

Figure 2.3.4 (1)



- Unscrew the two screws beside the button.

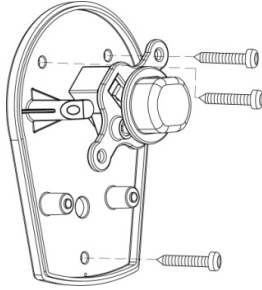
Figure 2.3.4 (2)



- Separate the upper shell with the bottom. See **Figure 2.3.4 (2)**.
- Breach the three holes at the bottom and mark the points by the holes as reference.

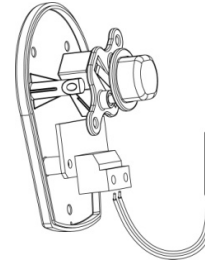
6. Drill the holes in the wall and fix the bottom to the wall by three screws. See **Figure 2.3.4 (3)**.

Figure 2.3.4 (3)



7. Connect the electric wires to the terminals as shown in **Figure 2.3.4 (4)**, and it's not required to distinguish any polarity. The terminals can be removed for connecting the wires easily.

Figure 2.3.4 (4)

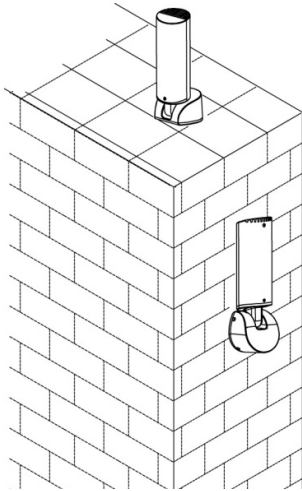


8. Attach the upper shell to the bottom and screw them up by two screws and insert the round cover by pressing it to attach to the whole unit.

2.3.5 PF-1 Flashing Light

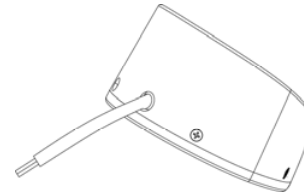
1. Decide the installation position of the flashing light. The flashing light has to be installed near the gate and easy to be seen by users and passersby. The flashing light can be installed horizontally or vertically. See **Figure 2.3.5 (1)**.

Figure 2.3.5 (1)



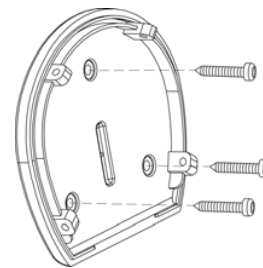
3. Connect the wires and penetrate the wires into the hole of the base.

Figure 2.3.5 (3)



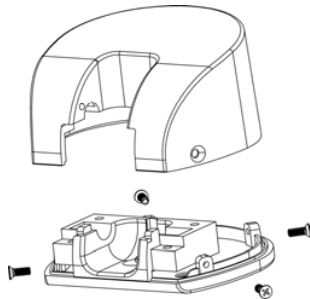
4. Drill the holes in the wall and fix the bottom to the wall by three screws.

Figure 2.3.5 (4)



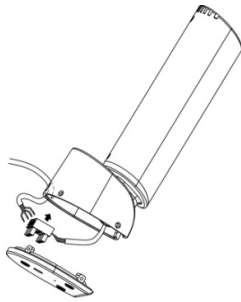
2. Unscrew the four screws on the light base and separate the base with the bottom as shown in **Figure 2.3.5 (2)**.

Figure 2.3.5 (2)



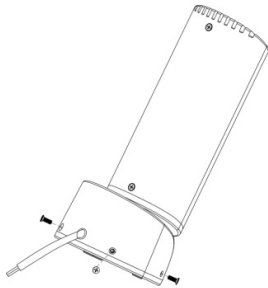
5. Connect the four wires of the light and the antenna to the PCB terminals and place the wires into the conduit if necessary.

Figure 2.3.5 (5)



6. Tighten the four screws back on the light base.

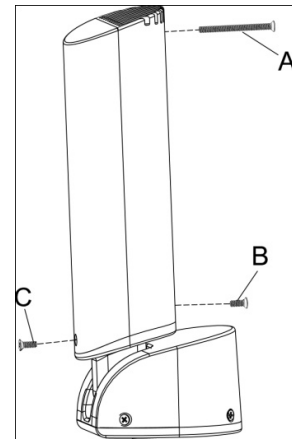
Figure 2.3.5 (6)



7. Replacing the bulb set. See **Figure 2.3.5 (7)**

- 1) Unscrew the flashing light wires from the PCB terminals and make sure the power of the light is off.
- 2) Release the three screws (A) · (B) · (C) of the flashing light cover.
- 3) Separate the flashing light cover and replace the bulb set with a new one.
- 4) Tighten the three screws (A) · (B) · (C) of the flashing light cover.

Figure 2.3.5 (7)

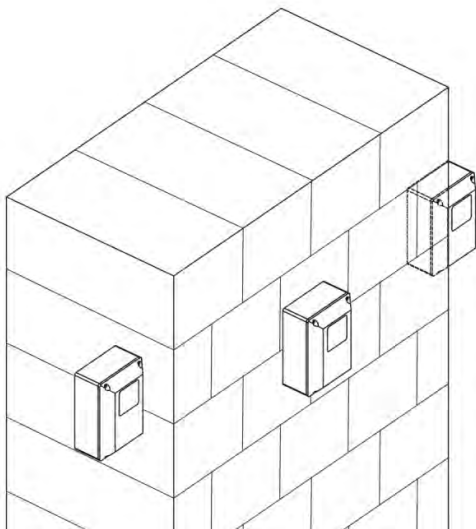


2.3.6 PH-1 Photocells

1. Decide the installation position of the photocells. See

Figure 2.3.6 (1)

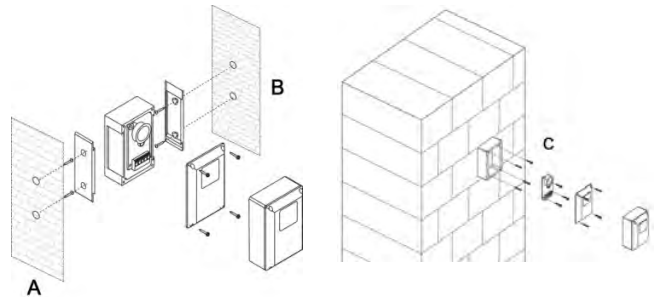
Figure 2.3.6 (1)



2. Unscrew the screws and secure the photocells on the post A, B or C.

Figure 2.3.6 (2)

Figure 2.3.6 (3)



3. Wiring connection:

TX: Connect terminals 1(+) and 2(-) on the transmitter with the terminals 12V and GND on the PC160 PCB.

RX: Connect terminals 1, 2 and 4 on the receiver with the terminals 12V, GND and SAFE on the PC160 PCB.

And use an extra wire to connect terminals 2 and 5 on the receiver as a bridge.

See **Figure 2.3.6 (4)** **Figure 2.3.6 (5)** and **Figure 2.3.8 (4)**

Figure 2.3.6 (4)

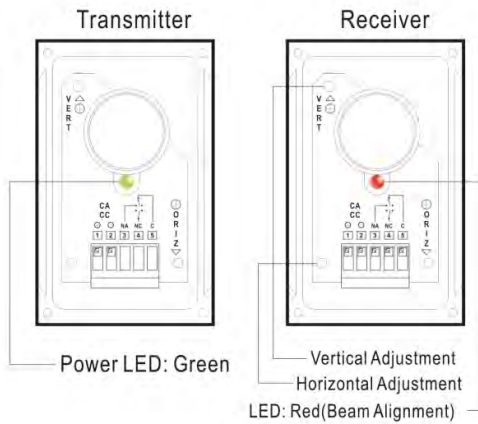
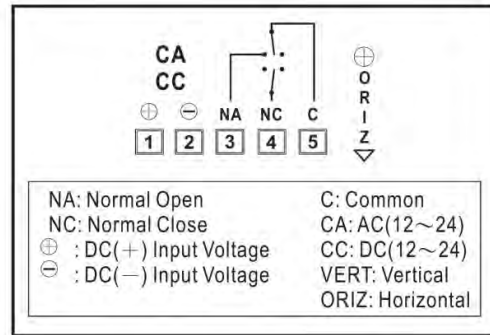


Figure 2.3.6 (5)



2.3.7 PEL-1 Electric Latch and PS-1 Stopper

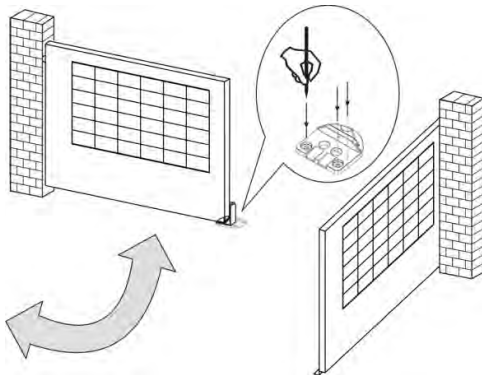
1. Stopper:

- 1) Before installing the stopper, please make sure the gates are in close positions and the surface to be installed is flat.
- 2) Place the stopper on the ground using the bottom as reference, and mark the 3 drilling points.

See **Figure 2.3.7 (1)** For the gate opened **inward**.

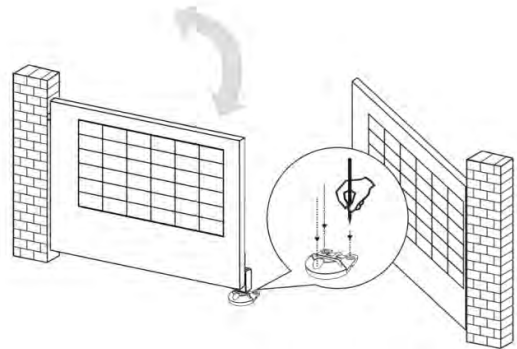
See **Figure 2.3.7 (2)** For the gate opened **outward**.

Figure 2.3.7(1)



Note: If the gate is opened outward, place the stopper in opposite direction.

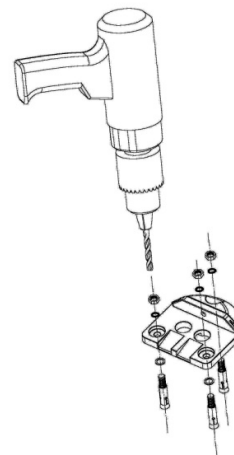
Figure 2.3.7(2)



- 3) Drill the 3 marked points, and then securely attach the stopper to the ground with screws and washers.

See **Figure 2.3.7 (3)**

Figure 2.3.7(3)



2. Electric Latch:

(If the gate is opened outward)

- 1) If the gate is opened outward, please change the spring inside and screw it in the different place.

See **Figure 2.3.7 (4), Figure 2.3.7 (5),**

Figure 2.3.7 (6) & Figure 2.3.7 (7)

Figure 2.3.7(4) Unscrew the screws.

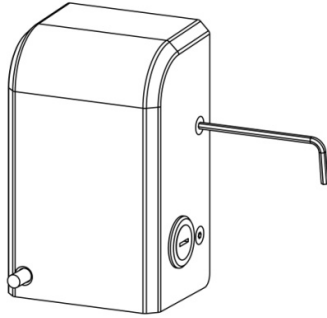


Figure 2.3.7(5) Take the casing off.

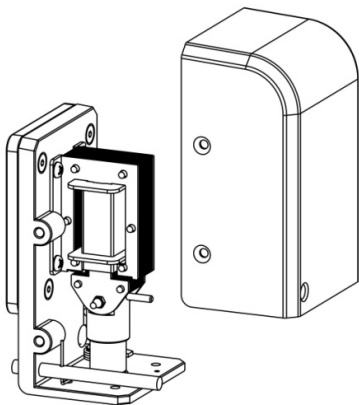


Figure 2.3.7(6) The location of the spring.

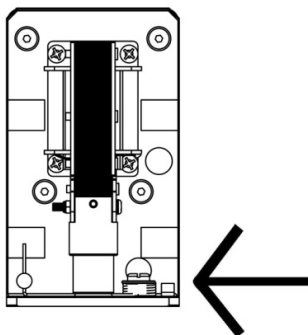
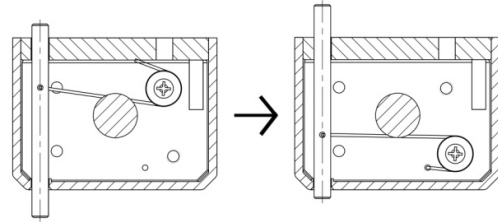


Figure 2.3.7(7)

Change the spring and screw it in the different place.



(Installation)

- 2) Weld the back plate of the electric latch to the surface on the master gate. See **Figure 2.3.7 (8)**. Please avoid melting the wires by the heat of the fixed plate.

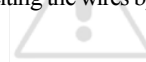


Figure 2.3.7(8) For the gate opened inward.

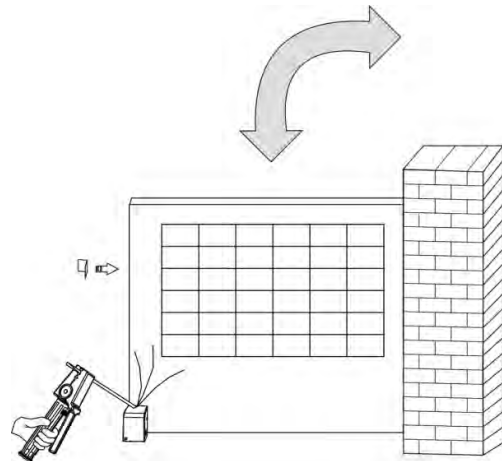
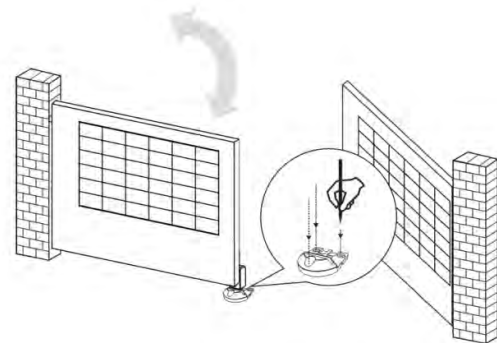


Figure 2.3.7(9) For the gate opened Outward.



- 3) The gap between the bottom of electric latch and the stopper should be less than 7mm. See **Figure 2.3.7 (10)**

Figure 2.3.7(10) For the gate opened **inward**.

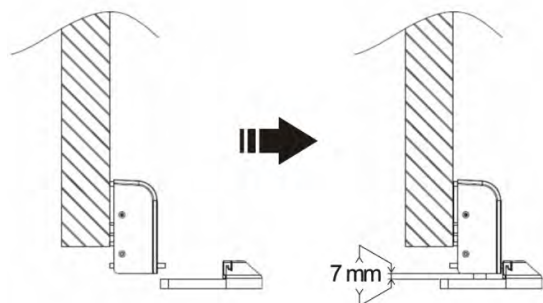
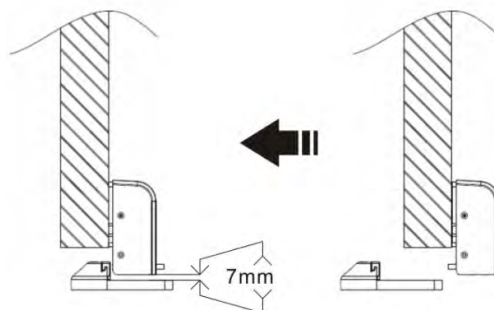


Figure 2.3.7(11) for the gate opened **Outward**.



- 4) Connect the wires of the electric latch to the terminal LATCH and GND on the PCB.
See **Figure 2.3.8 (5)**

2.3.8 PC160 Control Box

1. Decide the installation position of PC160 control box first, it is suggested to be installed near the gate and should be protected from possible damage. Be aware of the motor cable length before deciding the installation position.
2. Remove the cover by unscrewing the four screws on the cover. See **Figure 2.3.8 (1)**.
3. Use a screwdriver to puncture the holes beneath the bottom of the control box. See **Figure 2.3.8 (2)**.

Figure 2.3.8 (1)

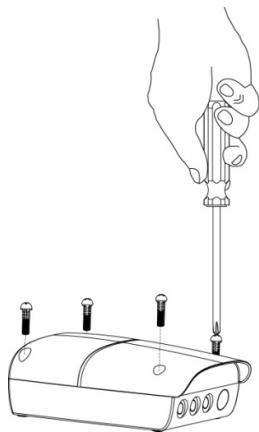
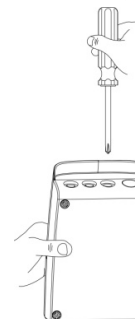
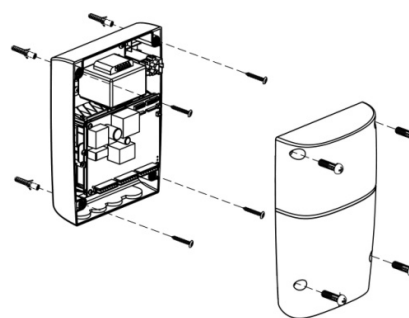


Figure 2.3.8 (2)



4. Secure it on the wall. See **Figure 2.3.8 (3)**.

Figure 2.3.8 (3)



5. Wiring Connection:

Prepare all the wires of the accessories beforehand and connect the wires to the gear motors and accessories on the PCB as shown in **Figure 2.3.8 (4)**. All of the wiring connections of the accessories are not requested to distinguish the positive (+) and the negative (-) polarity.

1) **PF-1 Flashing light:**

Connect the two wires from the flashing light to the terminal LIGHT and GND on the PCB.

2) **PEL-1 Electric Latch:**

Connect the two wires from the electric latch to the terminal LATCH and GND on the PCB.

3) **PW220/PW230 Gear Motors:**

Refer to **Figure 2.3.8 (5)** and connect the wires separately to the terminals on the PCB.

M1: Connect the motor wire (White +) to the terminals M1 (+), and (Yellow -) to the M1 (-).

M2: Connect the motor wire (White +) to the terminals M2 (+), and (Yellow -) to the M2 (-).

Notes:

For gates opened outward,

M1: Connect the motor wire (Yellow -) to the terminals M1 (+), and (White +) to the terminals M1 (-).

M2: Connect the motor wire (Yellow -) to the terminals M2 (+), and (White +) to the terminals M2 (-).

4) **PH-1 Photocells:**

Please remove the cover of JP1 and connect the wires to proper terminals.

5) **PKS-1 Key Selector:**

For Single leaf operation-

Refer to **Figure 2.3.8 (4)** and connect the two wires from the key selector to the terminal BUTT1 and GND (J7) on the PCB.

For Dual leaf operation-

Refer to **Figure 2.3.8 (4)** and connect the two wires from the key selector to the terminal BUTT2 and GND (J7) on the PCB.

6) **PPB-1 Push Button:**

For Single leaf operation-

Refer to **Figure 2.3.8 (4)** and connect the two wires from the key selector to the terminal BUTT1 and GND (J7) on the PCB.

For Dual leaf operation-

Refer to **Figure 2.3.8 (4)** and connect the two wires from the key selector to the terminal BUTT2 and GND (J7) on the PCB.

Figure 2.3.8 (4)

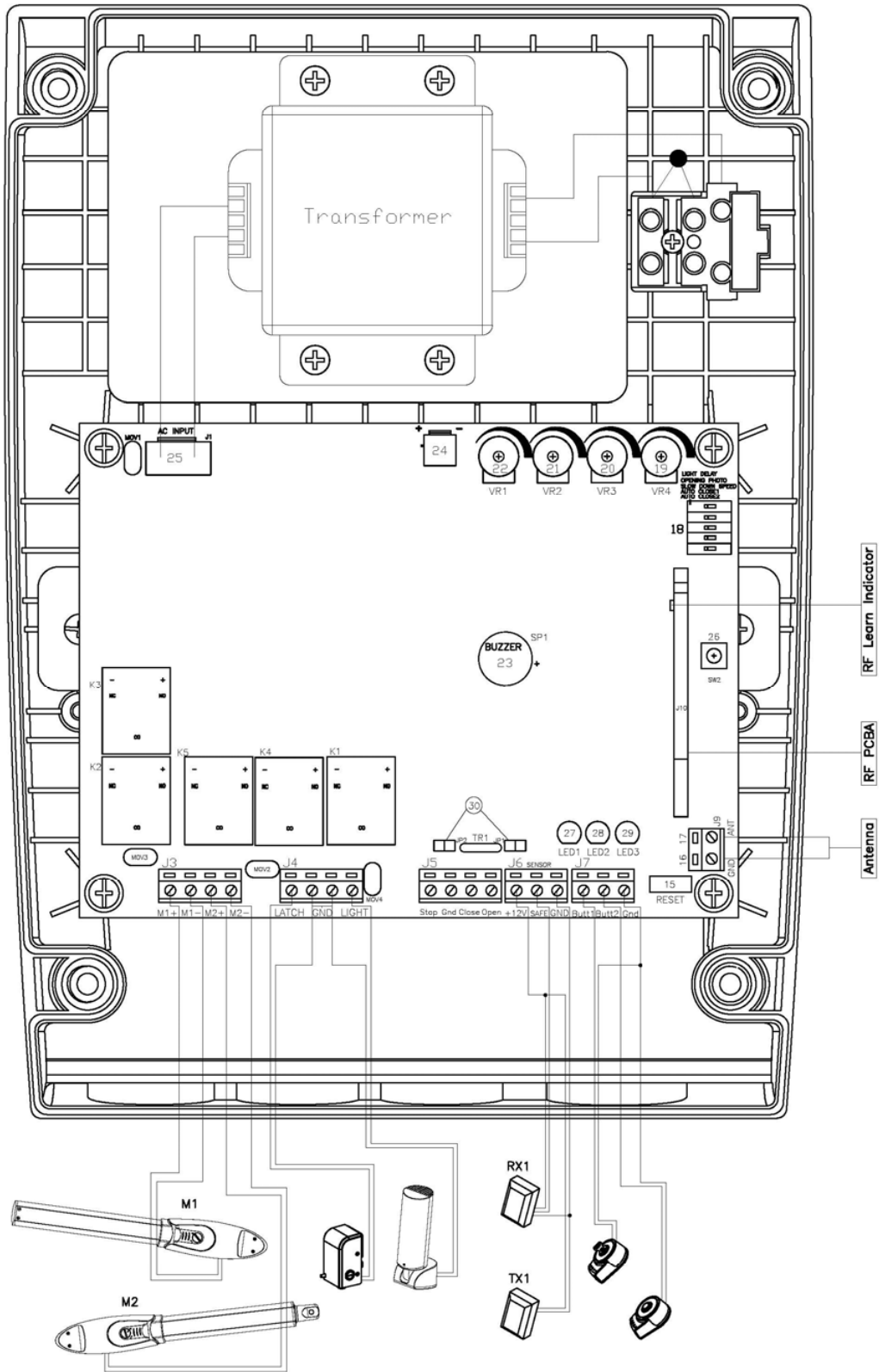
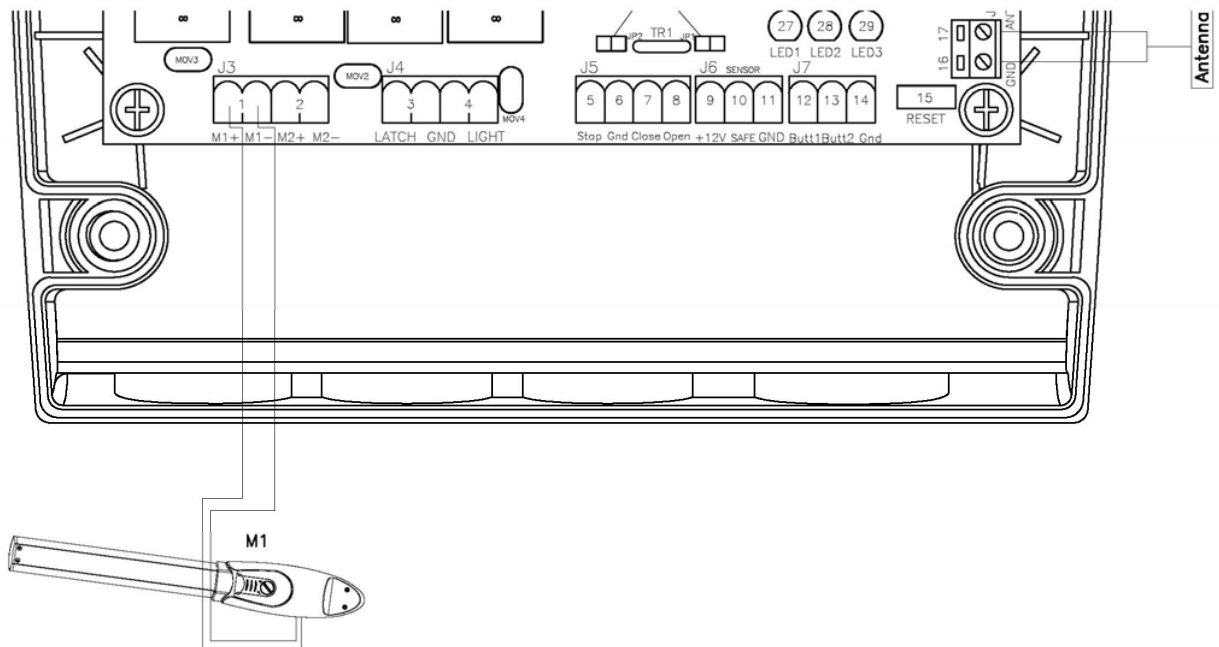
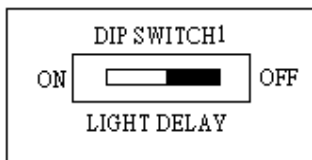


Figure 2.3.8 (5)



3. Dip Switch Setting



LIGHT DELAY:

ON: The flashing light blinks for 5 seconds before the gate moves.

OFF: The flashing light blinks and the gate moves simultaneously.



OPENING PHOTO:

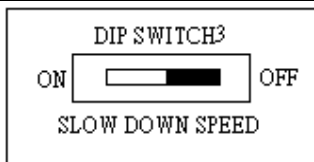
When the gate moves in the opening phase, the photo sensor can be selected as active or inactive.

ON:

In the opening phase, the gate will stop when the photo sensor is activated.
In the closing phase, the gate will stop and open to the end when the photo sensor is activated.

OFF:

In the opening phase, the gate will not stop when the photo sensor is activated.
In the closing phase, the gate will stop and open to the end when the photo sensor is activated.

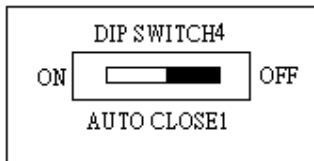


SLOW DOWN SPEED:

The final speed can be set when the gate is moving at slow-down speed

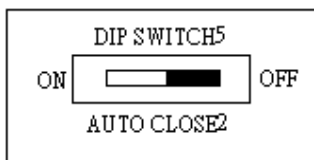
ON: The final speed = 55% normal speed.

OFF: The final speed = 70% normal speed.



AUTO CLOSE1:

The function of auto close or without auto close can be selected



AUTO CLOSE2:

The function of auto close or without auto close can be selected

DIP4 (Auto close1)	DIP5 (Auto close2)	Function
OFF	OFF	Without auto close function
OFF	ON	Auto close On, waiting time 50 seconds
ON	OFF	Auto close On, waiting time 25 seconds
ON	ON	Auto close On, waiting time 12 seconds

NC: No Connection

3.1 Functional Switch and LED lights Introduction

SW2	The button of transmitter memorizing and erasing.
VR1	Over-current limit can be adjusted from min 0.8Amp to Max 4.2 Amp.
VR2	The over-current sensitivity of Master Gate (M1) could be adjusted from 1.8 second to 3.8 second.
VR3	The over-current sensitivity of Master Gate (M1) could be adjusted from 1.8 second to 3.8 second.
VR4	Close delay of two leaves can be adjusted from min 0 second to Max. 7 second.
LED1(Red)	LED1 is ON when AC input is in. And LED1 blinks quickly when the gate is in slow-down speed.
LED2(Yellow)	When the photocells are triggered, LED2 will be on.
LED3(Green)	When the transmitter/push button/key selector is triggered, LED3 will be on.

3.2 Transmitter Memorizing and Erasing Process

RF Transmitter Memorizing & Erasing

1.1.1 Press button SW2 for 1 second, the blue LED light on the receiver board will be on and receiver module will be changed to “Learning Mode” for 10 seconds. During the period of learning mode, press the left button on the transmitter, then the transmitter can be memorized by receiver module. (Up to 200 different transmitter can be memorized) The blue light on the receiver board will blink twice after pressing the button on the transmitter. The blue light on the receiver board will go off when the transmitter memorizing is done.

1.1.2 The memory can be cleared completely if the SW2 (code learning) is pressed continuously for 10 seconds after the blue light.

Self-Learning mode for gate operation systems

Step1:	Connect the wires of two motors with terminal M1+/M1- & M2+/M2-
Step2:	Connect 230VAC with terminal J1 and battery with J2.
Step3:	In single leaf installation, just connect the motor wires with terminal M1+/M1-
Step4:	Press SW2 button for more than 1 second and the blue light on the receiver board is on. Press the left button on the transmitter to memorize the transmitter with the receiver board. The blue light will be off after the transmitter memorizing is done.
Step5:	<p>In Single or Dual leaf installation, please press the left button of the remote control for system learning. After pressing the left button, system learning will be executed step by step as follows:</p> <p>1. Dual Gate: Slave Gate Close → Master Gate Close → Master Gate Open → Slave Gate Open → Slave Gate Close → Master Gate Close</p> <p>2. Single Mode : Master Gate Close → Master Gate Open → Master Gate Close</p>
Step 6:	If motor stops during the learning mode, please adjust the over current switch to proper position.

3.3 System Learning Process

Connect the master motor wires to M1 terminals and the slave motor wires to M2 terminals correctly. If only one gate is installed, the motor wires have to be connected to M1 terminals.

In system learning mode, the gates will proceed with the following procedures.

(A) Dual-Gate Mode: Slave Gate closes→ Master Gate closes→ Master Gate opens →Slave Gate opens →Slave Gate closes→ Master Gate closes.

(B) Single-Gate Mode: Master Gate closes→ Master Gate opens→ Master Gate closes.

Notes: System learning fails and needs to be learned again when an unpredictable interruption occurs.

3.4 Gate Operation

In dual gate installation:

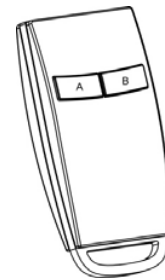
Press the button “A” on the transmitter for dual-gate operation.

Press the button “B” on the transmitter for single-gate operation.

In single gate installation:

Press the button “A” on the transmitter for single-gate operation.

Figure 34



3.5 Gate-moving Logic

(A) In gate-opening phase: The gates stop if the transmitter/push button/key selector is activated, and close when the transmitter/push button/key selector is reactivated.

(B) In gate-closing phase: The gates stop if the transmitter/push button/key selector is activated, and open when the transmitter/push button/key selector is reactivated.

(C) In gate-opening or gate-closing phase: For safety purpose, the gates stop if encountering obstacles.

4. Trouble Shooting

Overheated Back-up Batteries	Check the wiring connection of the batteries.
The gate doesn't move when pressing the button of the transmitter	<ol style="list-style-type: none"> 1. Check if the voltage of the batteries is below 21V. 2. Check if LED1 is "ON". 3. Make sure all the wiring connections are firmly connected to the terminals on the PCB. 4. Make sure the fuse is workable.
The Flashing light does not work	<ol style="list-style-type: none"> 1. Check if the wiring connection of the flashing light is correct. 2. Check if the bulb is burned.
The leaves shall be closed instead of opening	Change the polarity connection of the positive (+) with the negative (-) of the gear motors.
The leaves does not move or only move toward one direction	<ol style="list-style-type: none"> 1. Check if the "RESET" socket is activated. 2. Make sure the wiring connection of the gear motors is firm. 3. The GND terminal of the photocells on the PCB must be short-circuited if no photocells installed.
The master gate closes to the end first and the slave gate stops, the flashing light blinks fast for five seconds.	Cut off the AC input power and the output of the batteries. Release the master gate and slave gate manually, then open the master to the end and close the slave gate to the end by hand, then power the whole unit by connecting the AC and battery terminals.
The gear motors does not run and the relay is noisy when operating the gate opening and closing.	Check if the fuse is burned.

5. Technical Characteristics

5.1 PW220

Motor	24Vdc motor with mechanical release
Gear type	Worm gear
Peak thrust	2500N
Nominal thrust	2000N
Stroke length	356mm with mechanical stop/400mm without mechanical stop.
Power supply	24Vdc
Maximum operating current	4A for maximum 10 seconds.
Maximum gate weight	200 kg per leaf
Maximum gate length	2.5 meters
Duty cycle	20%
Operating Temperature	-20°C~+50°C
Dimension	819mm * 115mm * 106mm
Weight	6.0kg

5.2 PW230

Motor	24Vdc motor with mechanical release
Gear type	Worm gear
Peak thrust	3000N
Nominal thrust	2500N
Stroke length	350mm
Power supply	24Vdc
Maximum operating current	4A for maximum 10 seconds.
Maximum gate weight	300 kg per leaf
Maximum gate length	3 meters
Duty cycle	20%
Operating Temperature	-20°C~+50°C
Dimension	844mm * 115mm * 106mm
Weight	6.25kg

5.3 PC160 Control Box

Application	For PW220/PW230 power supply
Main power supply	230Vac/110Vac, 50Hz/60Hz
Back-up battery	2pcs of batteries for emergency operation, 1.2A each
Transformer	4.2A, 24V
Receiver board	433.92MHz; 200 transmitters memory
Installation	Wall mounted vertically
Operating Temperature	-20°C~+50°C
Dimension	275mm * 195mm * 102mm

5.4 PH-1 Photocells

Detection type	Through beam
Operating distance	30 meters
Response time	100ms
Input voltage	AC/DC 12~24V
Operating Temperature	-20°C~+60°C
Protection class	IP66
Dimension	59mm * 87mm * 38mm

5.5 PKS-1 Key Selector

Application	For outdoor use
Installation	Wall mounted vertically
Operating Temperature	-20°C~+50°C
Dimension	85mm*60.5mm*40.5mm

5.6 PPB-1 Push Button

Application	For indoor use
Installation	Wall mounted vertically
Operating Temperature	-20°C~+50°C
Dimension	85mm*60.5mm*40.0mm

5.7 PF-1 Flashing Light

Application	For warning purpose during leaves movement
Lamp	24Vdc Halogens bulb
Operating Temperature	-20°C~+50°C
Installation	horizontally or vertically installed
Dimension	205mm * 80mm * 75mm

5.8 PR-1 Transmitter

Application	Radio transmitter for remote control of PW220/PW230
Frequency	433.92Mhz
Coding	Rolling code
Buttons	2, for single-gate or dual-gate operation
Power Supply	6V with two CR2016 type lithium batteries
Operating Temperature	-20°C~+50°C
Dimension	71.5mm * 33mm * 14mm

5.9 PEL-1 Electric Latch

Application	For locking the gate.
Power Supply	24Vdc
Operating Temperature	-20°C~+50°C
Operating Current	5A
Dimension	61mm * 55mm * 120mm



1095 Budapest, Mester utca 34. **1141 Budapest, Fogarasi út 77.**
Tel.: *218-5542, 215-9771, 215-7550, Tel.: *220-7940, 220-7814, 220-7959,
216-7017, 216-7018 Fax: 218-5542 220-8881, 364-3428 Fax: 220-7940
Mobil: 30 940-1970, 20 949-2688 Mobil: 30 531-5454, 30 939-9989

E-mail: delton@delton.hu Web: www.delton.hu

www.kaputnyitunk.hu