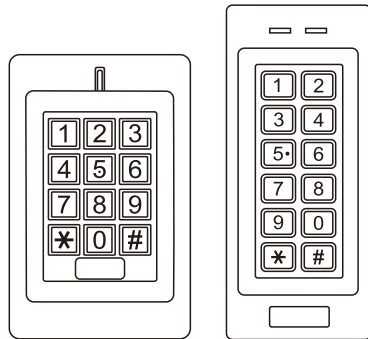


# Easy Keypad (Outdoor)



User Manual

## INTRODUCTION

The device is a single entry standalone Access Control with integrated keypad and card reader. It is an easy to install and operate device, designs in as less as 6 wires for mounting, with user-friendly programming. The compact design makes it a good choice for door access.

The device is housed in a strong Zinc Alloy electroplated case. It supports up to 1000 users in multiple access configurations (Card Only, Card or PIN, or Card + PIN). The built in card reader supports 125KHz EM Card or 13.56Mhz Mifare Card

Two Versions Optional:  
1) Indoor, nonwaterproof  
2) Outdoor, Waterproof(IP66)

### Features

- > Vandal resistant enclosure
- > Backlit keypad
- > Multi-color LED status display
- > One programmable relay output
- > 1000 Users (990 normal users+10 visitor users)
- > Access mode: card, PIN, card+PIN
- > Low power consumption (50mA)
- > Anti-tamper alarm
- > Latch mode to hold door or gate open
- > 12-18V DC power input

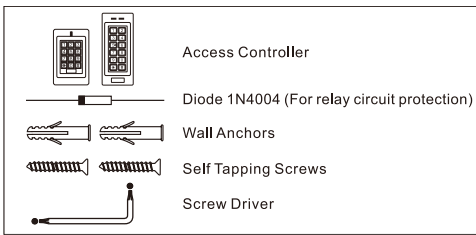
### Specifications

<b>User Capacity</b>	<b>1000 Cards/PINs</b>
Normal Users	990
Visitor Users	10
<b>Operating Voltage</b>	<b>12-18V DC</b>
Idle Current	50mA
Active Current	80mA
<b>Keypad</b>	<b>12 Key</b>
<b>Proximity Card Reader</b>	<b>EM/Mifare</b>
Radio Technology	125KHz/13.56MHz
Read Range	3-6cm
<b>Wiring Connections</b>	<b>Relay Output, Exit Button</b>
<b>Relay</b>	<b>One (NO, NC, Common)</b>
Adjustable Relay Output Time	0-99 Seconds (5 seconds default)
Lock Output Load	3 Amp Maximum

- 1 -

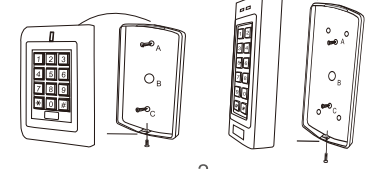
<b>Environment</b>	
Operating Temperature	-40°C~60°C (-40°F~140°F)
Operating Humidity	10%-90% Non-condensing
<b>Physical</b>	<b>Zinc-Alloy Enclosure</b>
Surface Finish	Powder Coat
Dimensions	L120 X W78 X H25 (mm) (Wide) L130 X W56 X H23 (mm) (Narrow)
Unit Weight	470g(Wide)/490g(Narrow)
Shipping Weight	550g(Wide)/550g(Narrow)

### Carton Inventory



## INSTALLATION

- > Remove the back cover from the unit
- > Drill 2 holes(A,C) on the wall for the screws and one hole for the cable
- > Knock the supplied rubber bungs to the screw holes(A,C)
- > Fix the back cover firmly on the wall with 4 flat head screws
- > Thread the cable through the cable hole(B)
- > Attach the unit to the back cover.

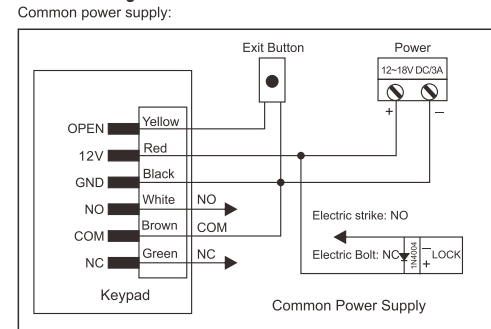


- 2 -

## Wiring

Wire Insulation Colour	Function	Notes
Red	Power +	12-18V DC Regulated Power Input
Black	GND	Ground
White	NO	Normally Open Relay Output
Brown	COM	Common Connection for Relay Output
Green	NC	Normally closed Relay Output
Yellow	OPEN	Request to Exit input(REX)

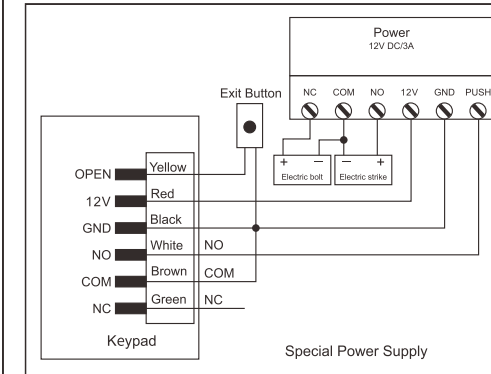
### Connection Diagram



**Attention:** Install a 1N4004 or equivalent diode is needed when use a common power supply, or the keypad might be damaged. (1N4004 is included in the packing)

- 3 -

## Access Control Power Supply:



## PROGRAMMING

Programming will vary depending on access configuration. Follow the instructions according to your access configuration.

### Programming 1 - Configure the device

Change the configure settings according to your application (optional). Multiple configuration settings can be changed at one time: enter program mode, change desired settings, then exit program mode.

#### Set Master Code

The 4-6 digit Master Code is used to prevent unauthorized access to the system. To interface with the device the manager will need a Master Code (factory default code: 123456). We highly recommend immediate update and record of your Master Code.

- 4 -

### Simplified Instruction

Function Description	Operation
Enter the Programming Mode	* (Master Code) # (123456 is the default factory master code)
Change the Master Code	0 (New Master Code) # (Repeat New Master Code) # (code: 4-6 digits)
Add Card User	1 (Read Card) # 1 (User ID) # (PIN) #
Add PIN User	1 (PIN) # The ID number is any number between 0 - 989. The PIN is any 4-6 digits between 0000 - 999999
Delete User	2 (Read Card) # 2 (PIN) # 2 (User ID) #
Exit from the programming mode	*
How to be granted access.	
Card User	Read Card
PIN User	Enter (PIN) #

Programming Step	Keystroke Combination
1. Enter Program Mode	* (Master Code) #
2. Update Master Code	0 (New Master Code) # (Repeat New Master Code) #
3. Exit	*

#### Set Access Configuration

There are 3 types of access configurations for the device  
> **Card or PIN (Default):** The User must present a valid Card to the device or enter their PIN code followed by the # key, in order to be granted access.  
> **Card Only:** The User must present a valid Card to the device in order to be granted access.  
> **Card + PIN:** The User must first present a valid Card to the device and then enter their PIN code followed by the # key, in order to be granted access.

Programming Step	Keystroke Combination
1. Enter Program Mode	* (Master Code) #
2. Card or PIN OR	3 0 # (factory default)
2. Card + PIN OR	3 1 #
2. Card only	3 2 #
3. Exit	*

#### Set Relay Configuration

The relay configuration sets the behaviour of the output relay on activation.

Programming Step	Keystroke Combination
1. Enter Program Mode	* (Master Code) #
2. Pulse Mode OR	4 (1-99) # The relay time is 1-99 seconds. Default is 5 seconds.
2. Latch Mode	4 0 # Sets the relay to ON/OFF Latch mode
3. Exit	*

- 5 -

#### Set Strike-out Alarm

The strike-out alarm will engage after 10 failed card/PIN attempts. Default is OFF. The strike-out alarm can be set to deny access for 10 minutes after engaging or it can be set disengage only after entering a valid card/PIN or Master code.

Programming Step	Keystroke Combination
1. Enter Program Mode	* (Master Code) #
2. Strike-Out OFF OR	6 0 # (factory default)
2. Strike-Out ON OR	6 1 # Access will be denied for 10 minutes
2. Strike-Out ON	6 2 # The buzzer alarms.
Set alarm time	5 (0-3) # Factory default is 1 minute.
3. Exit	*

#### Set Visual Response

Programming Step	Keystroke Combination
1. Enter Program Mode	* (Master Code) #
2. Keypad Backlit Always OFF Keypad Backlit Always ON Keypad Backlit Automatic OFF	7 0 # 7 1 # 7 2 # (factory default) Automatic OFF after 20 seconds, it will go ON by pressing and key (this key isn't taken into consideration)
3. Exit	*

### Programming 2 - Program Cards and PINS

Programming will vary depending on the access configuration. Follow the instructions according to your access configuration.

#### GENERAL PROGRAMMING INFORMATION

> **User ID Number:** Assign a user ID number to the access code in order to keep track of the users of access cards or PINS. The normal user ID can be any number from 0-989, and the 10 groups of visitor is from 990-999. IMPORTANT: User IDs do not have to be proceeded with any leading zeros. Recording of User ID is critical. Modifications to user data require either the card or the User ID be available.

- 6 -

> **Proximity Card:** 125KHz industry standard 26 bits EM Proximity Card 13.56Mhz Mifare Card (ISO1443 Type A)  
> **Keypad PIN:** The PIN can be any 4-6 digits between 0000-999999 (except 1234 which is reserved for factory testing).

### ACCESS CONFIGURATION: CARD OR PIN & CARD ONLY

Programming Step	Keystroke Combination
1. Enter Program Mode	* (Master Code) #
2. Add Card: Using Auto ID (Allows device to assign Card to next available User ID number) OR	1 (Read Card) # Cards can be added continuously.
2. Add Card: Select Specific ID (Allows manager to define a specific User ID to associate the card to)	1 (User ID) # (Read Card) # The user ID is any number from 0-989.
3. Exit	*

#### Delete User Cards

Programming Step	Keystroke Combination
1. Enter Program Mode	* (Master Code) #
2. Delete Card: By card	2 (Read Card) # Cards can be deleted continuously
2. Delete Card: Select Specific ID	2 (User ID) # The user ID is any number from 0-989.
3. Exit	*

#### Add or Delete a PIN

Programming Step	Keystroke Combination
1. Enter Program Mode	* (Master Code) #
<b>Add PIN User</b>	
2. Using Auto ID (Allows the device to assign PIN to next available User ID number)	1 (PIN) # The PINs can be added continuously

- 7 -

Programming Step	Keystroke Combination
2. Select Specific ID (Allows manager to define a specific User ID to associate the PIN to)	1 (User ID) # (PIN) #
<b>Delete PIN User</b>	
2. By PIN OR	2 (PIN) # The users can be deleted continuously
2. By User ID	2 (User ID) #
3. Exit	*

#### Change a PIN

This operation is executed from outside of Program Mode.

Programming Step	Keystroke Combination
1. Change a PIN	* (User ID) # (Old PIN) # (New PIN) # (New PIN) #
<b>ACCESS CONFIGURATION: CARD+PIN</b>	
<b>Add a Card+ PIN User</b>	
1. Enter Program Mode	* (Master Code) #
2. Add a User Card by ID number	1 (User ID) # (Read Card) #
3. Exit Program Mode	*
4. Add PIN	* (Read Card) (1234#) (New PIN) # (New PIN) # This operation is executed from outside of Program Mode

#### Change PIN

Allows card user to update the PIN for their card + PIN User ID. This operation is executed from outside of Program Mode.

Programming Step	Keystroke Combination
1. Change PIN using a Card OR	* (Read Card) (Old PIN) # (New PIN) # (New PIN) #
1. Change PIN using ID	* (User ID) # (Old PIN) # (New PIN) # (New PIN) #

- 8 -

#### Delete Card by User ID

Deleting by ID number will clear cards and PINS

Programming Step	Keystroke Combination
1. Enter Program Mode	* (Master Code) #
2. Delete User Card by User ID	2 (User ID) #
3. Exit	*

#### Visitor User Setting

There are 10 groups Visitor PIN/card available, the users can be specified up to 10 times of usage, after a certain number of times, i.e. 5 times, the PIN/card become invalid automatically.

Programming Step	Keystroke Combination
1. Enter Program Mode	* (Master Code) #
2. Add Visitor PIN User	8 (0-9) # (User ID) # (PIN) # PIN is any 4-6 digits number except 1234
OR	
2. Add Visitor Card User	8 (0-9) # (User ID) # (Read Card) #
2. Delete Visitor Users	2 (User ID) #
3. Exit	*

Note:  
Number of time is 0-9, 0=10 times  
User ID number must be any number between 990-999  
Visitor PIN/card must be unique, should be distinguished from common PIN and card

## OTHERS

#### Reset to Factory Default:

- Power off
- Press the \* Button, hold it and power on
- There will be two beeps, release the button, then will have one beep  
The device reset to factory default successfully.

- 9 -

Remark: Reset to factory default, the user's information is still retained.

#### Erase all Users

- This will delete ALL User data.
- Enter Program Mode by press: \*(Master Code) #.
  - Press 2 (Master Code) #
  - Exit: \*
- All configuration data is retained.

#### Reset Strike-Out Alarm and Anti-tamper Alarm.

Enter Master Code or Valid Card/PIN to silence

#### Sound and Light Indication

Operation Status	Red LED	Green LED	Sounds
Power on	Bright		Short Single Beep
Stand by	Bright		
Press Keypad	Flashing		Short Single Beep
Enter Master Code Entry Mode	ON		Short Single Beep
In program mode	ON	Single Flash	Short Single Beep
Entered Program Step Successfully	ON	Single Flash	Short Single Beep
Entered Program Step Incorrectly			3 Short Single Beeps
Exit from the programming mode	Bright		Short Single Beep
Entry Granted		ON	Short Single Beep
Open lock		ON	One beep
Alarm Mode Engaged			Alarm
Alarm	Red light Shines quickly		Beeps
Pressing * Toggles Standby / Master Code Entry	ON/Flashing		Short Single Beep