

# Swing-gate operator

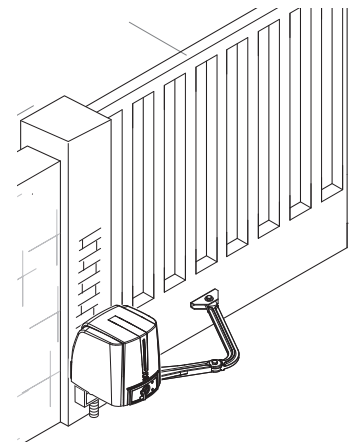
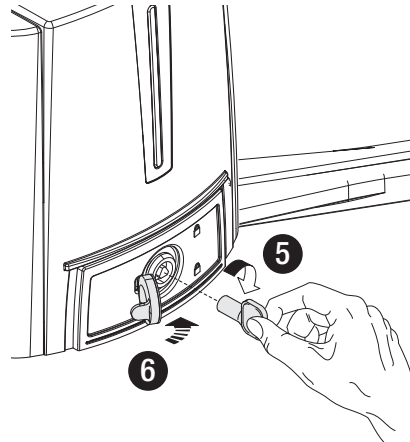
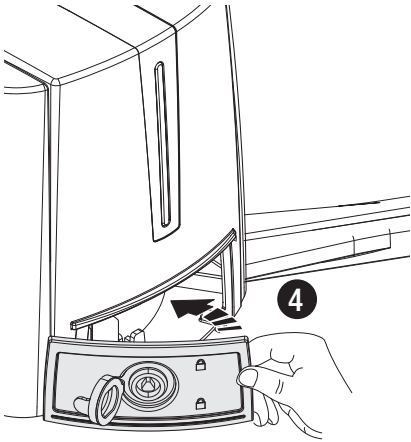
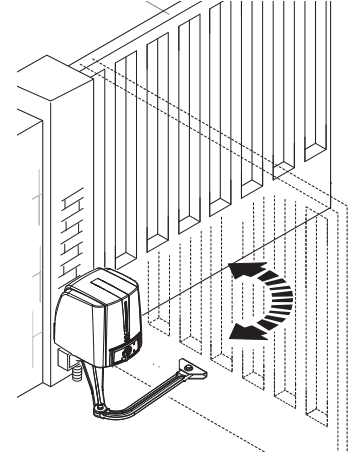
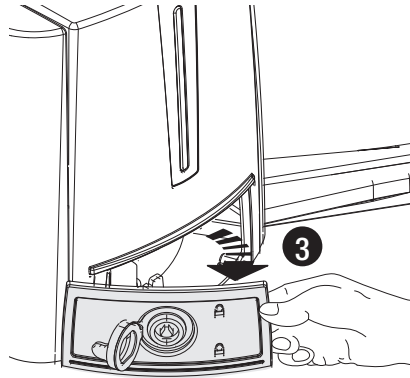
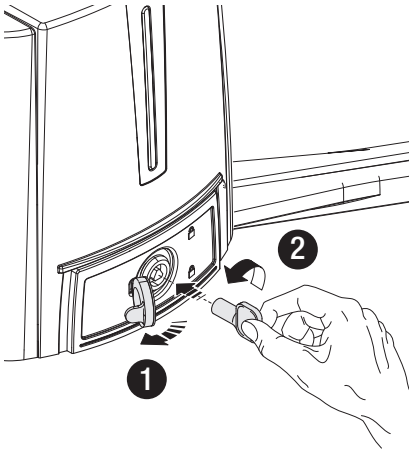
FA01335-EN



## FA70230CB

INSTALLATION MANUAL

EN English



### **⚠ Important safety instructions.**

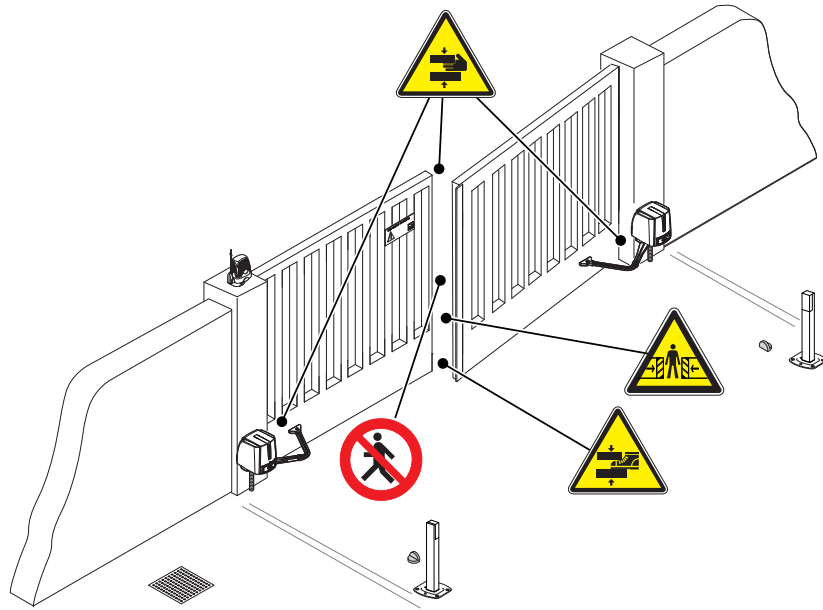
**⚠ Follow all of these instructions. Improper installation can cause serious bodily harm.**

**⚠ Before continuing, also read the general precautions for users.**

Use this product only for its specifically intended use. Any other use is hazardous.

- The manufacturer can not be held liable for any damage caused by improper, unreasonable, and erroneous use.
- This manual's product is defined by the Machinery Directive 2006/42/CE as partly-completed machinery.
- Partly-completed machinery is an assembly that almost constitutes a machine, but which, alone, cannot ensure a clearly defined application.
- Partly-completed machinery is only destined to be incorporated or assembled to other machinery or other partly-completed machinery or apparatuses to build machinery that is regulated by the Machinery Directive 2006/42/EC.
- The final installation must comply with the Machinery Directive 2006/42/EC and the current European reference standards.
- The manufacturer declines any liability for using non-original products; which would result in warranty loss.
- All operations indicated in this manual must be carried out exclusively by skilled and qualified personnel and in full compliance with current regulations.
- Laying of cables, installation and testing must follow state-of-the-art procedures as dictated by applicable standards and laws.
- All the components (e.g. control panels, photocells, sensitive edges, etc.) necessary for the conformity of the final installation in accordance with the Machinery Directive 2006/42/EC and with the reference harmonized technical standards are identified in the CAME products general catalog or in the website [www.came.com](http://www.came.com).
- Make sure the mains power supply is disconnected during all installation procedures.
- Check that the temperature ranges given and those of the location match.
- If necessary, add suitable reinforcements to the anchoring points.
- Make sure that the operator, in the installation place, does not get wet by direct jets of water (sprinklers, water cleaners, etc.).
- Make sure you have set up a suitable dual pole cut off device along the power supply that is compliant with the installation rules. It should completely cut off the power supply according to category III surcharge conditions.
- Demarcate properly the entire site to prevent unauthorized personnel to enter; especially children and minors.
- In case of manual handling, have one person for every 20 kg that need hoisting; for non manual handling use proper hoisting equipment in safe conditions.
- Use suitable protections to prevent any mechanical hazards due to persons loitering within the operating range of the operator.
- The electric cables must pass through special pipes, ducts and cable glands in order to guarantee adequate protection against mechanical damage.
- The electrical cables must not touch any parts that may overheat during use (such as the motor and the transformer).
- Before the installation, check that the guided part is in good mechanical condition, and that it opens and closes correctly.
- The product cannot automate any guided part that includes a pedestrian gate, unless the latter can be enabled only when the pedestrian gate is secured.
- Make sure that people cannot be entrapped between the guided and fixed parts, when the guided part is set in motion.
- All fixed controls must be clearly visible after installation, in position that the guided part is directly visible, but far away from moving parts. In the case of a maintained action command, this must be installed at a minimum height of 1.5 m from the ground and must not be accessible to the public.
- If not already present, apply a permanent tag, that describes how to use the manual release mechanism, close to the mechanism.
- Make sure that the operator has been properly adjusted and that the safety and protection devices, and the manual release, are working properly.
- Before turning over to the final user, check that the system complies with the harmonized standards and the essential requisites of Machinery Directive 2006/42/CE.
- Any residual risks must be indicated clearly with proper signage affixed in visible areas. All of which must be explained to end users.
- Fit, in plain sight, the machine's ID plate when the installation is complete.
- If the power-supply cable is damaged, it must be immediately replaced by the manufacturer or by an authorized technical assistance center, or in any case, by qualified staff, to prevent any risk.
- Keep this manual inside the technical folder along with the manuals of all the other devices used for your automation system.
- Remember to hand over to the end users all the operating manuals of the products that make up the final machinery.

## Main points of danger for people



Do not transit through during maneuvering.



Danger of entrapment.



Danger of hand entrapment.



Danger of foot entrapment.

## DISMANTLING AND DISPOSAL

CAME S.p.A. employs an Environmental Management System at its premises. This system is certified and compliant with the UNI EN ISO 14001 regulation standard to ensure that the environment is respected and safeguarded. Please continue safeguarding the environment. At CAME we consider it one of the fundamentals of our operating and market strategies. Simply follow these brief disposal guidelines:

### DISPOSING OF THE PACKAGING

The packaging materials (cardboard, plastic, and so on) should be disposed of as solid household waste, and simply separated from other waste for recycling. Always make sure you comply with local laws before dismantling and disposing of the product.

DISPOSE OF RESPONSIBLY!

### DISPOSING OF THE PRODUCT





Our products are made of various materials. Most of these (aluminium, plastic, iron, electrical cables) are classified as solid household waste. They can be recycled by separating them before dumping at authorized city plants.

Whereas other components (control boards, batteries, transmitters, and so on) may contain hazardous pollutants. These must therefore be disposed of by authorized, certified professional services.

Before disposing, it is always advisable to check with the specific laws that apply in your area.

DISPOSE OF RESPONSIBLY!

### Legend

-  This symbol shows which parts to read carefully.
-  This symbol shows which parts describe safety issues.
-  This symbol shows which parts to tell users about.
-  The measurements, unless otherwise stated, are in millimeters.

### Description

Irreversible operator with control board and jointed transmission-arm for swing gates with each leaf up to 2.3 m long.

### Intended use

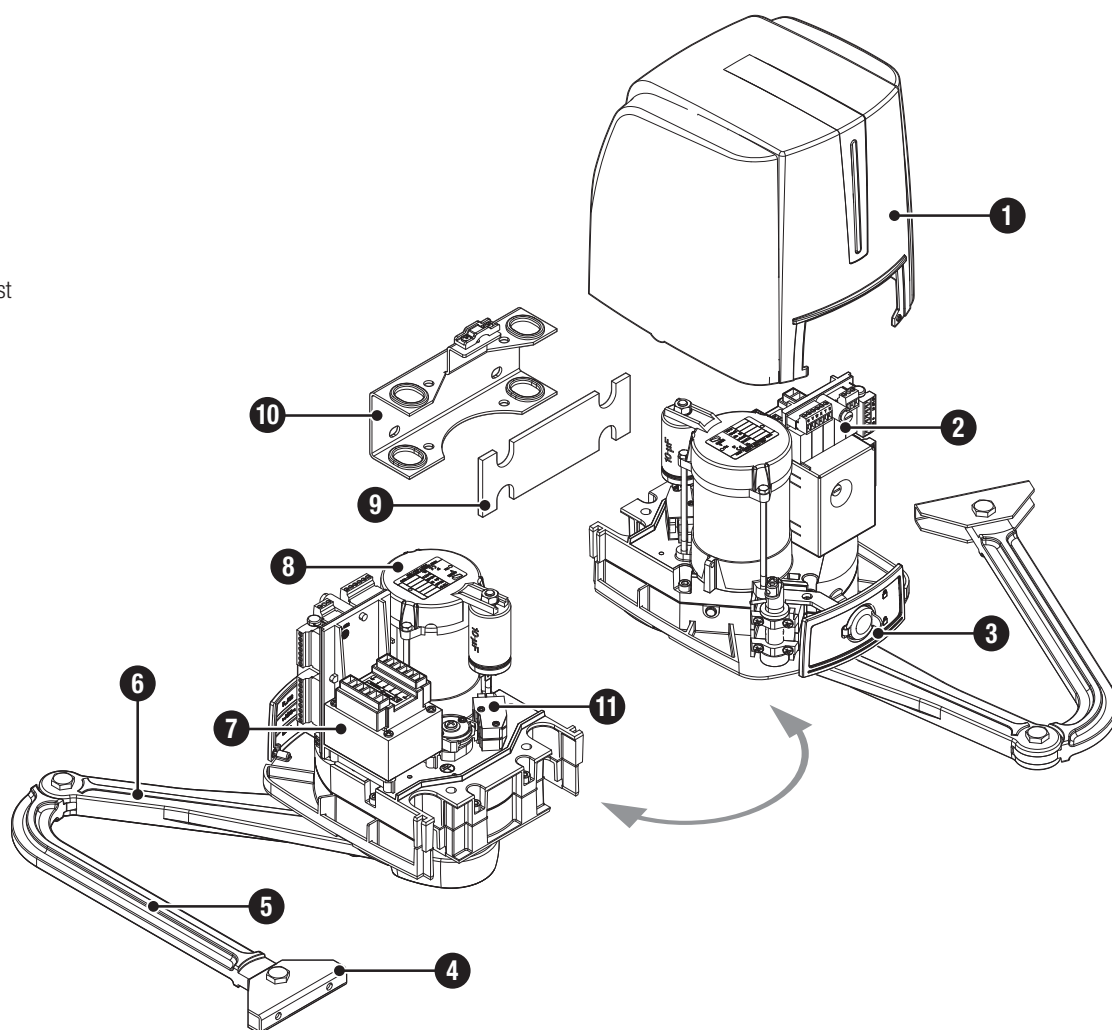
Ideal for applying in private homes and apartment buildings, on small-to-medium gate posts

 Any installation and/or use other than that specified in this manual is forbidden.

### Description of parts

#### Gearmotor

- ❶ Cover
- ❷ Control board
- ❸ Release hatch
- ❹ Brace for fastening to gate
- ❺ Joint arm
- ❻ Transmission arm
- ❼ Transformer
- ❽ Gearmotor
- ❾ Rubber shim
- ❿ Brace for fastening to the post
- ⓫ Limit-switch microswitch



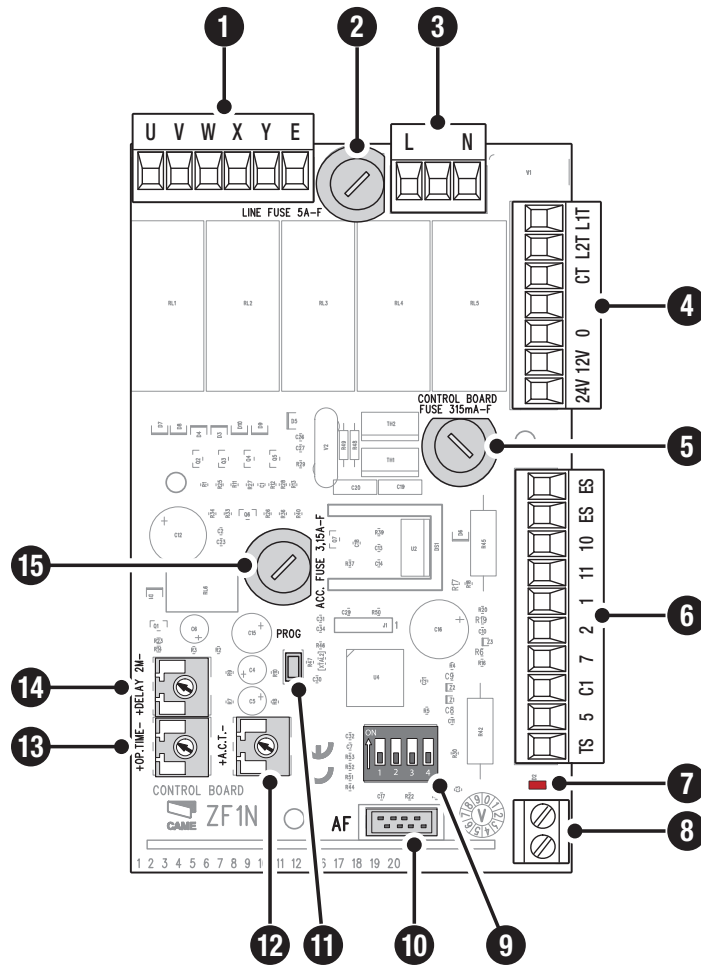
## Control board

All wiring connections are quick-fuse protected.

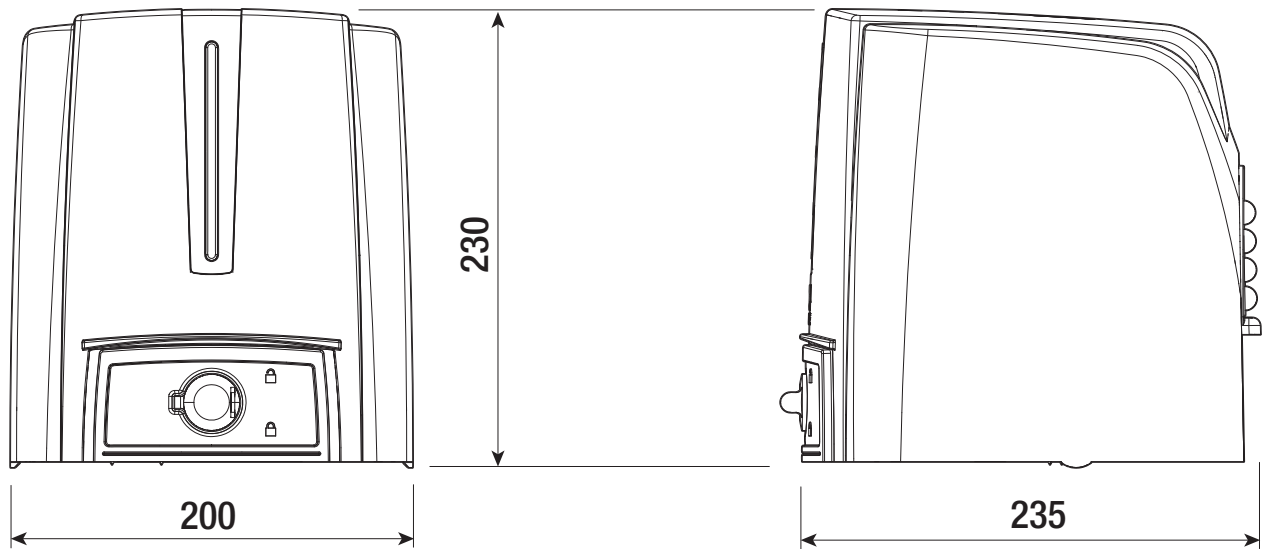
For the system to work properly, before fitting any plug-in card, you **MUST CUT OFF THE MAIN POWER SUPPLY** and remove any batteries.

Before working on the control panel, cut off the mains power supply and remove the batteries, if any.

- |                                                                                                                                                                                                                                                                                                                                                                                               |                                                                                                                                                                                                                                                                                                                                                                                                        |
|-----------------------------------------------------------------------------------------------------------------------------------------------------------------------------------------------------------------------------------------------------------------------------------------------------------------------------------------------------------------------------------------------|--------------------------------------------------------------------------------------------------------------------------------------------------------------------------------------------------------------------------------------------------------------------------------------------------------------------------------------------------------------------------------------------------------|
| <ul style="list-style-type: none"> <li>❶ Gearmotor terminals</li> <li>❷ Line fuse</li> <li>❸ Power supply terminal board</li> <li>❹ Terminal board for connecting the transformer</li> <li>❺ Control board fuse</li> <li>❻ Terminal board for connecting control and safety devices</li> <li>❼ programming status warning LED</li> <li>❽ Terminal board for connecting the antenna</li> </ul> | <ul style="list-style-type: none"> <li>❾ Connector for plug-in radio frequency card (AF)</li> <li>❿ DIP for programming</li> <li>⓫ ACT Trimmer: automatic closing time adjustment</li> <li>⓬ Trimmer OP.TIME: adjustment of gearmotor working time</li> <li>⓭ Trimmer DELAY 2M: adjustment of the M2 motor closing delay time</li> <li>⓮ Button for programming</li> <li>⓯ Accessories fuse</li> </ul> |
|-----------------------------------------------------------------------------------------------------------------------------------------------------------------------------------------------------------------------------------------------------------------------------------------------------------------------------------------------------------------------------------------------|--------------------------------------------------------------------------------------------------------------------------------------------------------------------------------------------------------------------------------------------------------------------------------------------------------------------------------------------------------------------------------------------------------|



## Dimensions



## Limits to use

⚠ With irreversible gearmotors, an electric lock must be installed.

MODELS	FA70230CB			
Gate-leaf length (m)	2,3	2	1,5	1
Gate-leaf weight (Kg)	200	215	250	300

## Technical data

MODELS	FA70230CB
Power supply (V - 50/60 Hz)	230 AC
Motor power supply (V)	230 AC
Board power supply (V)	24 AC
Stand-by consumption (W)	5,5
Power (W)	160
Condenser (μF)	10
Current draw (mA)	1,4
Working temperature (°C)	-20 ÷ +55
Torque (Nm)	180
Opening time at 90° (s)	15
Work time (s)	14 ÷ 120
Duty cycle (%)	30
Motor thermal protection (°C)	150
Protection rating (IP)	54
Insulation class	I
Reduction ratio (i)	735


## Fuse table


MODELS	FA70230CB
Line fuse	5 A F
Control-board fuse	315 mA F
Accessories fuse	3.15 A F


## Cable types and minimum thicknesses


Cable length (m)	up to 20	from 20 to 30
230 V AC Power supply	3G x 1.5 mm <sup>2</sup>	3G x 2.5 mm <sup>2</sup>
Power supply to motor 230 V AC	3G x 1.5 mm <sup>2</sup>	3G x 2.5 mm <sup>2</sup>
TX Photocells	2 x 0.5 mm <sup>2</sup>	2 x 0.5 mm <sup>2</sup>
RX photocells	4 x 0.5 mm <sup>2</sup>	4 x 0.5 mm <sup>2</sup>
12 V DC electric lock	2 x 1 mm <sup>2</sup>	2 x 1.5 mm <sup>2</sup>
Command and control devices	* no. x 0.5 mm <sup>2</sup>	* no. x 0.5 mm <sup>2</sup>

\*no. = see product mounting instructions - Warning: the cable section is merely indicative as it depends on the motor power and cable length.

 When operating at 230 V and outdoors, use H05RN-F-type cables that are 60245 IEC 57 (IEC) compliant; whereas indoors, use H05VV-F-type cables that are 60227 IEC 53 (IEC) compliant. For power supplies up to 48 V, you can use FROR 20-22 II-type cables that comply with EN 50267-2-1 (CEI).


 To connect the antenna, use the RG58 (we suggest up to 10 m).

 If cable lengths differ from those specified in the table, establish the cable sections depending on the actual power draw of the connected devices and according to the provisions of regulation CEI EN 60204-1.

 For multiple, sequential loads along the same line, the dimensions on the table need to be recalculated according to the actual power draw and distances. For connecting products that are not contemplated in this manual, see the literature accompanying said products




## INSTALLATION

 The following illustrations are just examples, as the space available for fitting the operator and accessories varies depending on the area where it is installed.

 The drawings refer to the left-side gearmotor.


### Preliminary operations

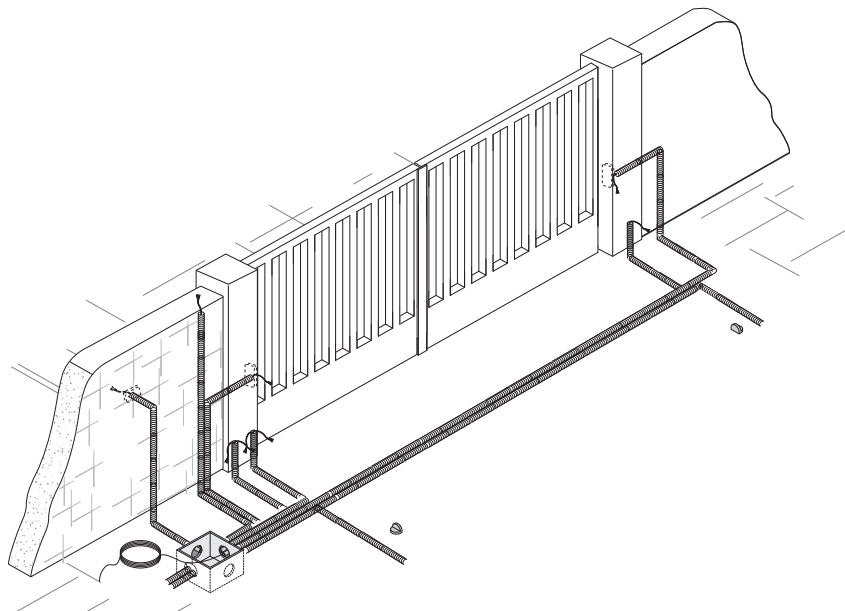
Set up the junction boxes and corrugated tubes you will need to make connections coming from the junction pit.

 An operator (FA70230CB) and a gearmotor (FA70230) must be installed on two-leaf gates .


FA70230CB must be installed on the leaf that must start the opening maneuver first.

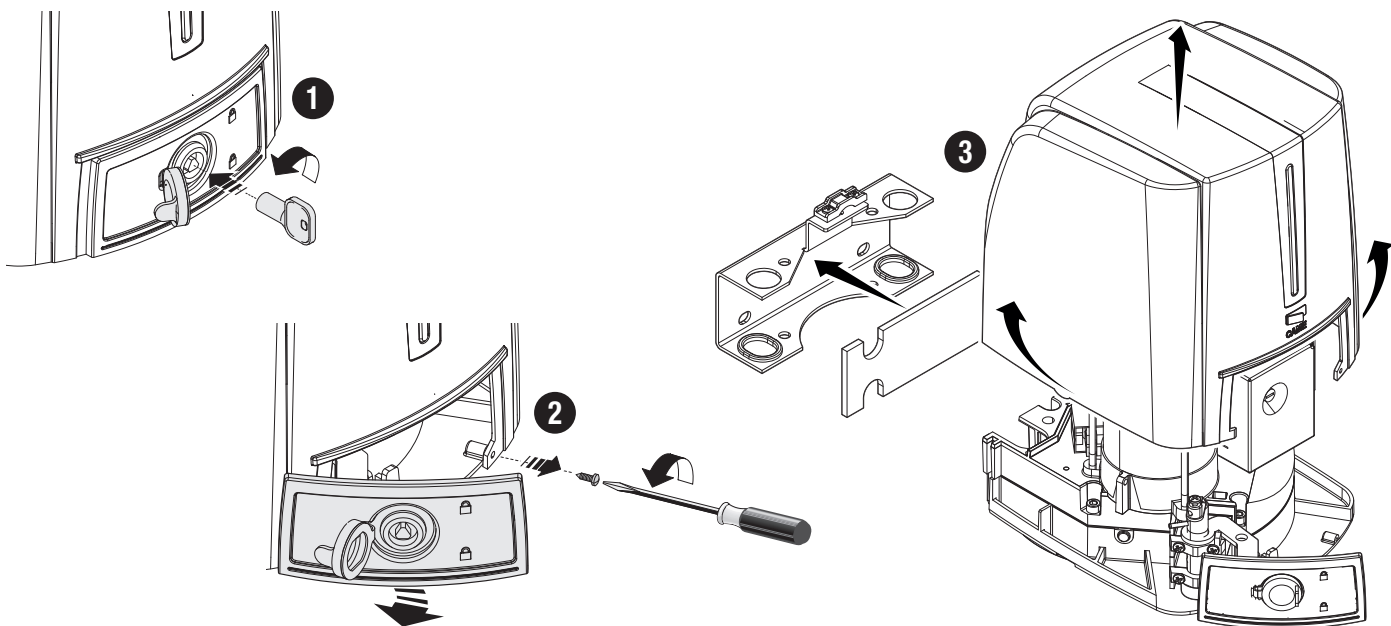
FA70230 must be installed on the leaf that must start the opening maneuver subsequently.

 The number of tubes depends on the type of system and the accessories that are going to be fit.




### Setting up the gearmotor

 Carefully remove the gearmotor cover.

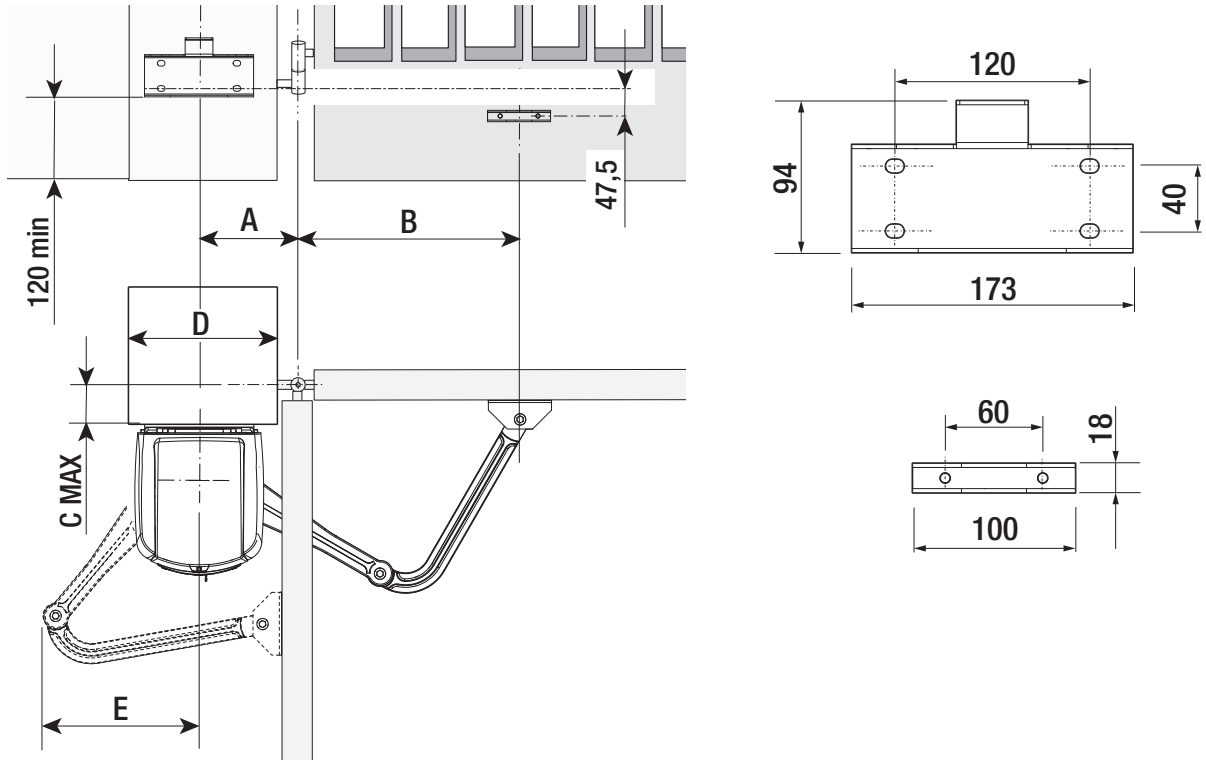


## Establishing the brackets fastening points

First determine where the gate fastening bracket has to be positioned, then where the brace for fastening to the post has to be positioned.

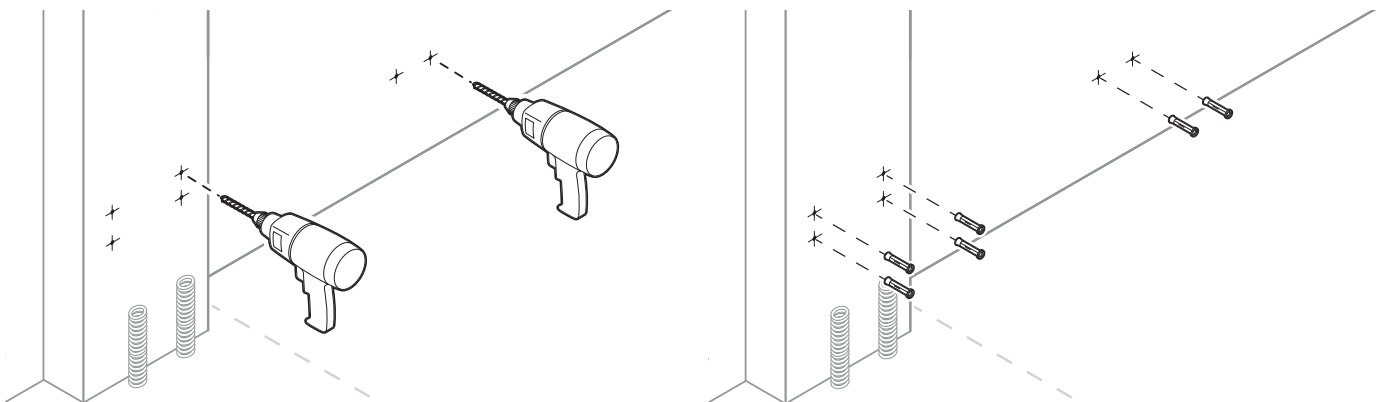
 Respect the values indicated in the table.

Leaf opening arc (°)	A	B	D	E	C Max
90°	140	420 (490 with item 801XC-0070)	Min. 200	260 (350 with item 801XC-0070)	200 (300 with item 801XC-0070)
90°	160	380 (460 with item 801XC-0070)	Min. 220	240 (320 with item 801XC-0070)	200 (300 with item 801XC-0070)
90°	180	380 (460 with item 801XC-0070)	Min. 240	240 (320 with item 801XC-0070)	200 (300 with item 801XC-0070)
110°	220	380 (450 with item 801XC-0070)	Min. 280	310 (400 with item 801XC-0070)	50 (50 with item 801XC-0070)
110°	240	380 (450 with item 801XC-0070)	Min. 300	310 (400 with item 801XC-0070)	50 (50 with item 801XC-0070)

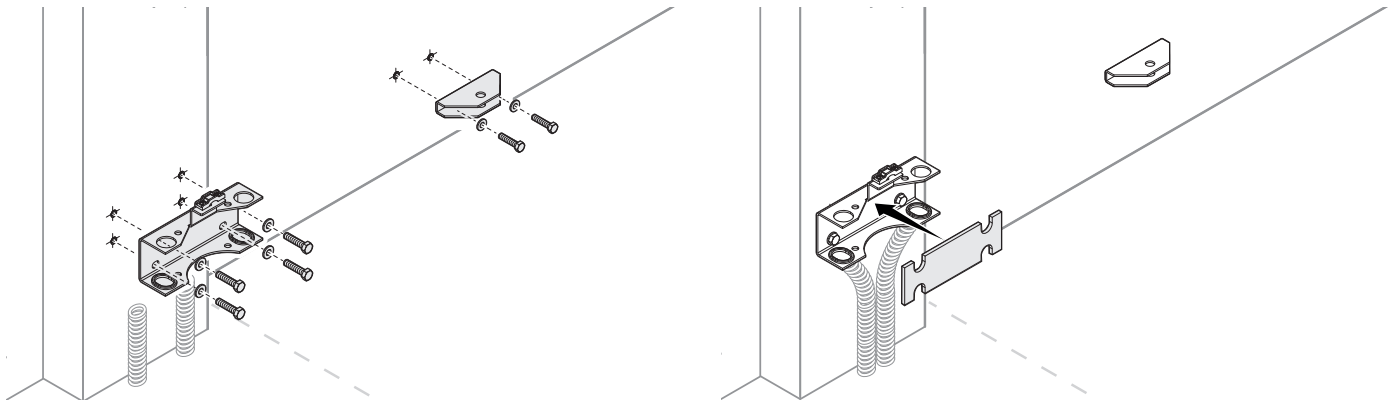


## Fastening the braces

Drill the fastening points.



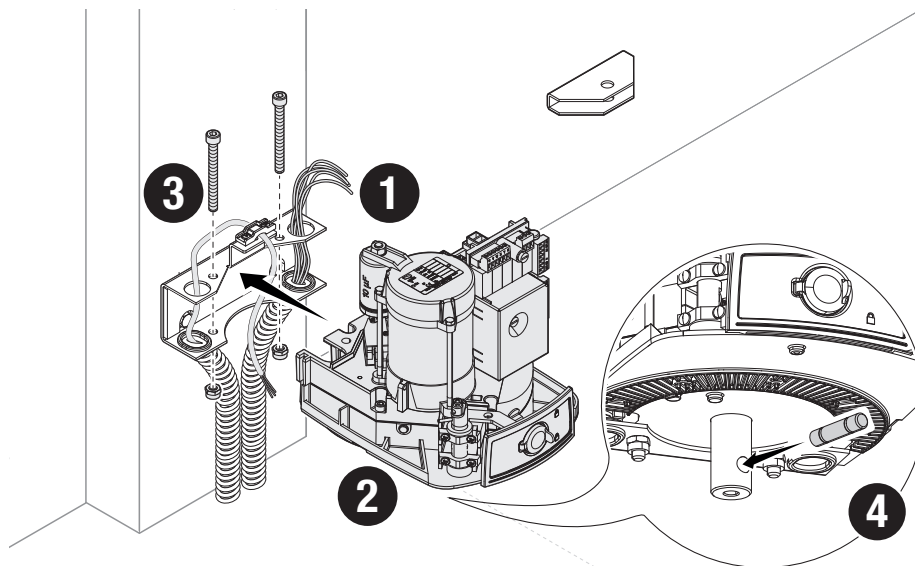
Fasten the braces using suitable dowels and screws.  
Fit the rubber shim into the gate-post brace.



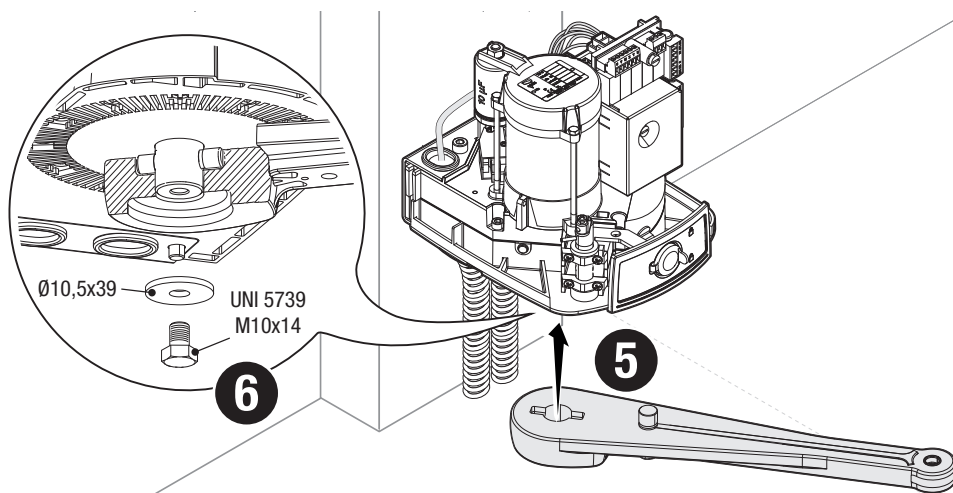
## Fastening the gearmotor

Release the gearmotor.

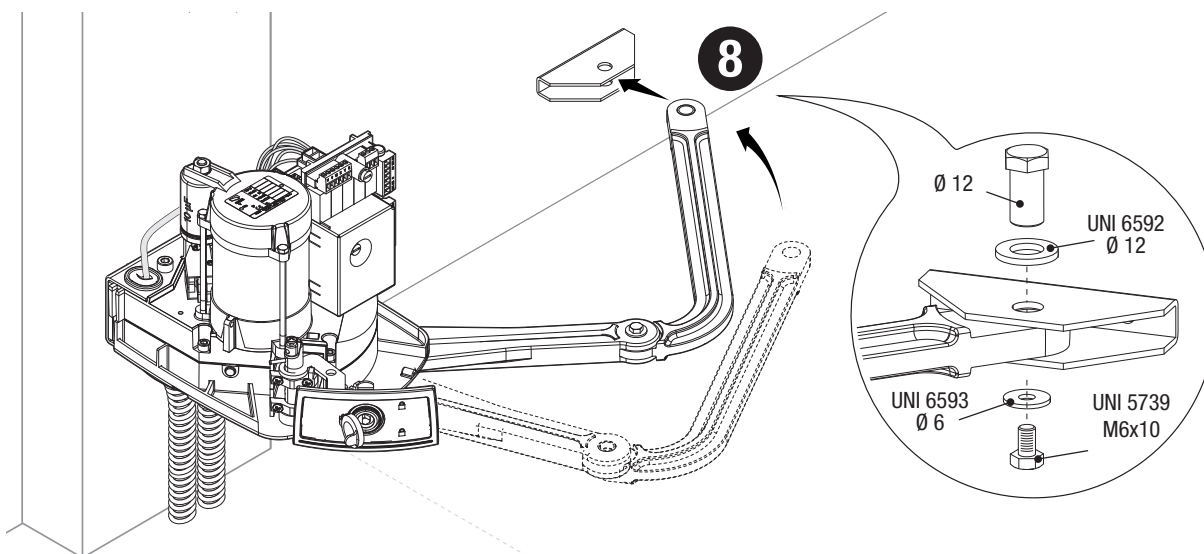
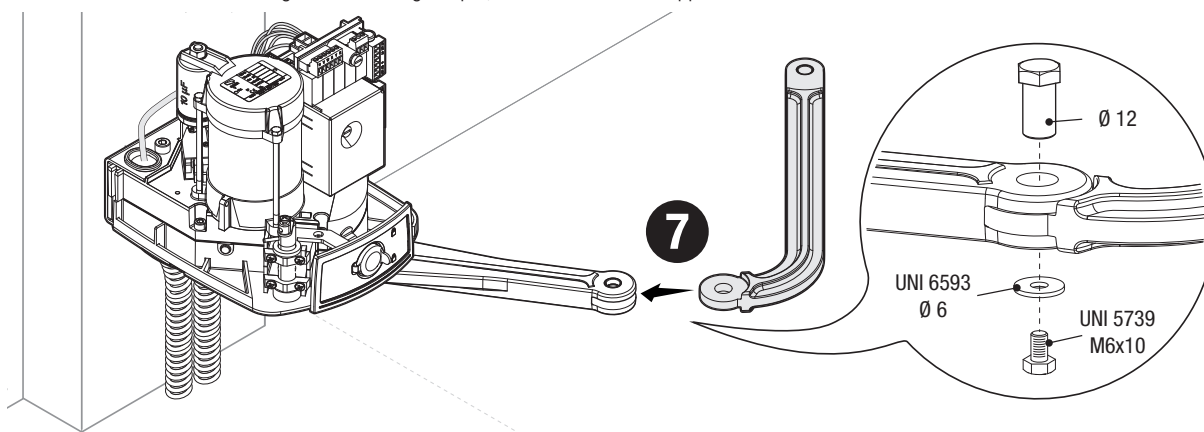
- ❶ Lay the cables needed for making the connection.
- ❷ Fit the gearmotor into the brace.
- ❸ Fasten the gearmotor to the brace using the nuts and bolts supplied.
- ❹ Fit the plug into the gearmotor shaft hole.




- ❺ Fit the transmission arm into the gearmotor shaft.
- ❻ Fasten the transmission arm using the washer and screw supplied.



- 7 Fasten the driven-arm to the transmission arm using the pin, washer and screw supplied.
- 8 Fasten the driven-arm to the gate brace using the pin, washer and screw supplied.

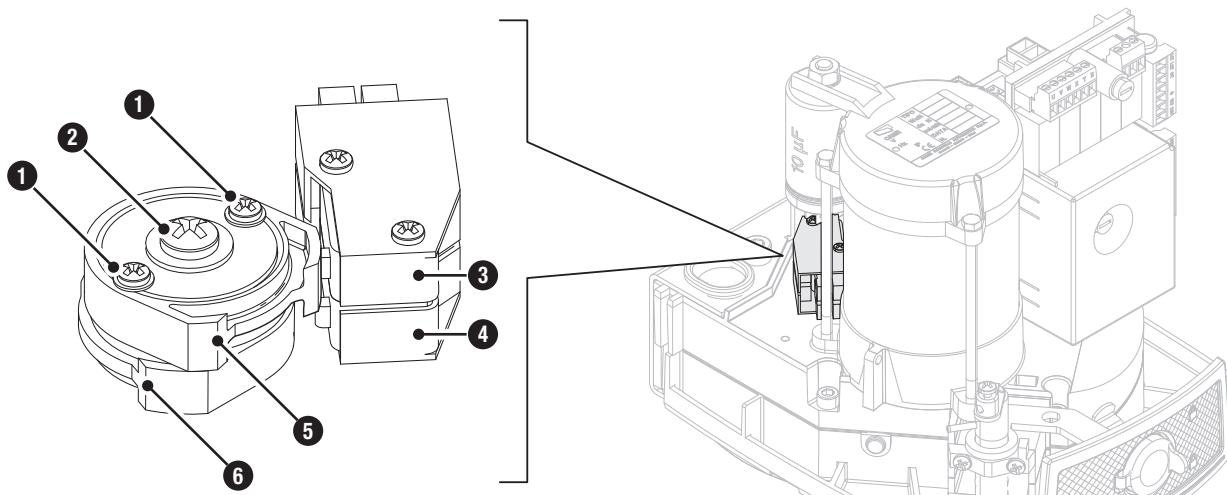


## Establishing the limit-switch points

 If the system is already fitted with opening and closing strike plates, there is no need to adjust the limit switches.

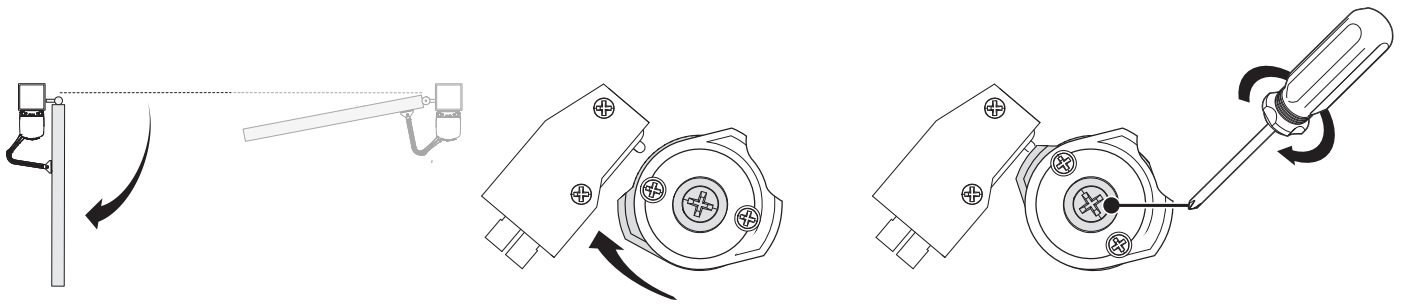
Contrarily, adjust the limit switches

- 1 Upper-cam fastening screw
- 2 Lower-cam fastening screw
- 3 Limit-switch microswitch
- 4 Limit-switch microswitch
- 5 Upper cam
- 6 Lower cam

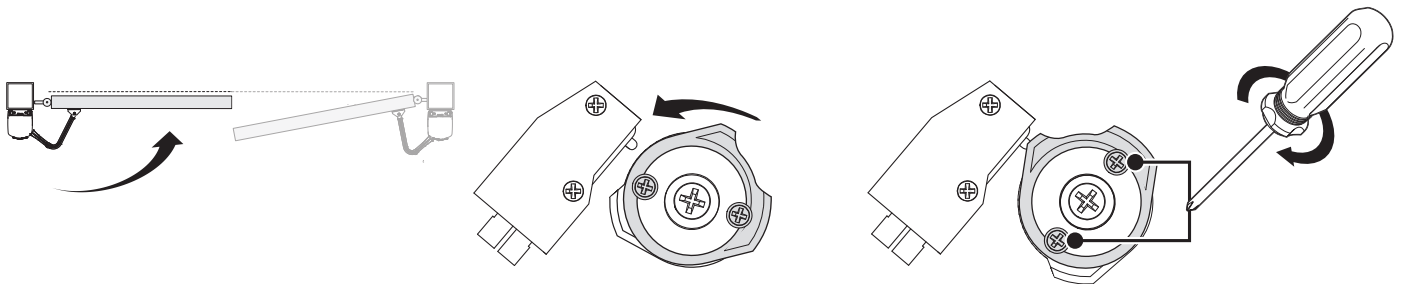


### Operator fitted on the left

Release the gearmotor.  
Entirely open the gate leaf.  
Turn the lower cam counter-clockwise until the micro-switch activates.  
Fasten the cam by tightening the center screw.

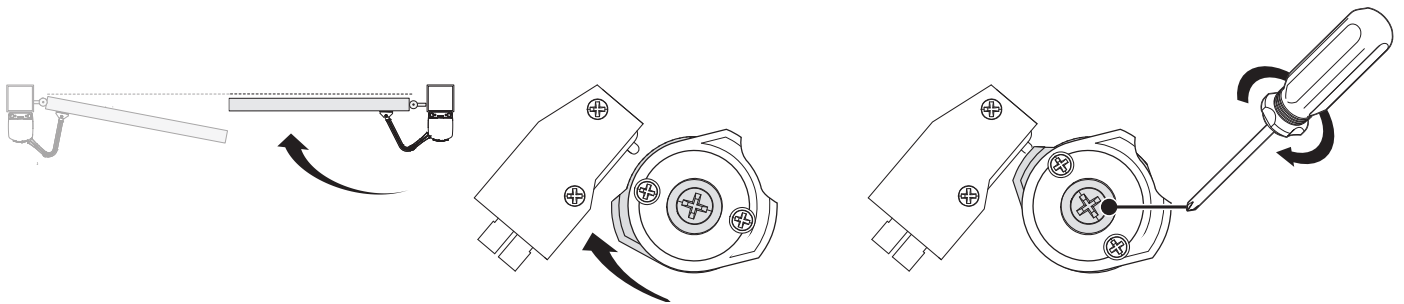


Fully close the leaf.  
Turn the upper cam counter-clockwise until the micro-switch activates.  
Fasten the cam by tightening the center screws.

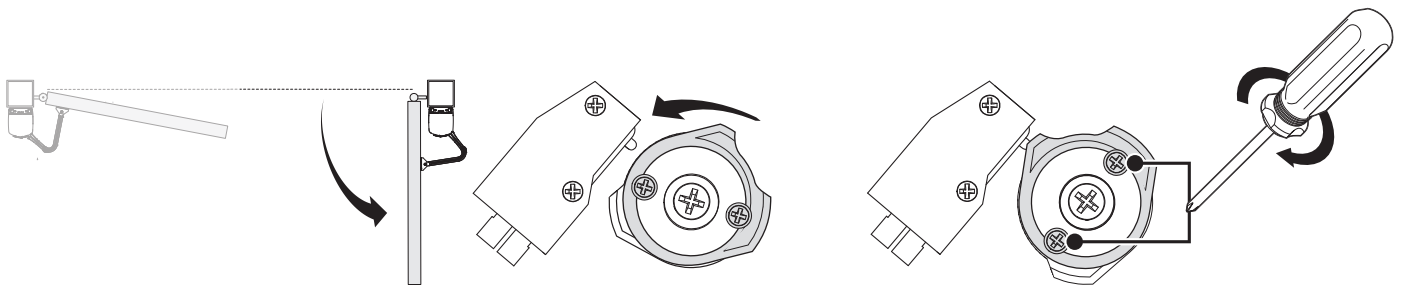


### Operator fitted on the right.

Release the gearmotor.  
Fully close the leaf.  
Turn the lower cam counter-clockwise until the micro-switch activates.  
Fasten the cam by tightening the center screw.



Entirely open the gate leaf.  
Turn the upper cam counter-clockwise until the micro-switch activates.  
Fasten the cam by tightening the center screws.



## ELECTRICAL CONNECTIONS

⚠ Before working on the control panel, cut off the mains power supply and remove the batteries, if any.

📖 To access the terminal block, remove the protective cover.

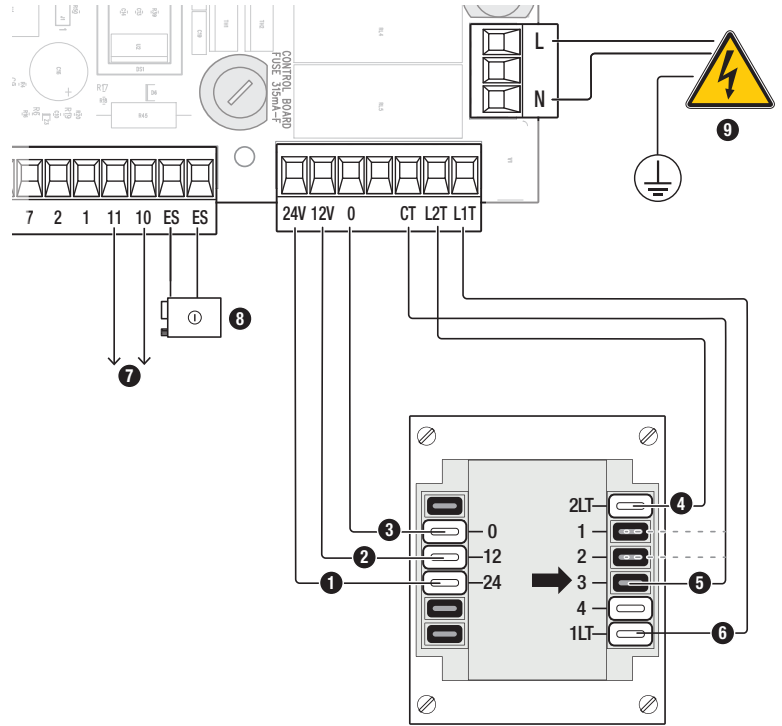
### Input voltage

- ❶ Blue cable
- ❷ Purple cable
- ❸ Orange cable
- ❹ Red cable
- ❺ Black cable
- ❻ White cable

📖 To vary the motor torque, move the corresponding faston terminal to one of the four positions; from 1 (minimum) to 4 (maximum).

### Accessories power supply output

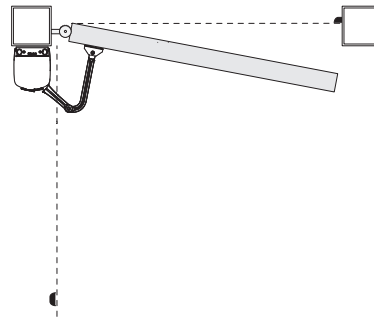
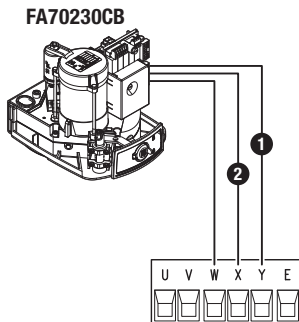
- ❷ Output delivers normally 24 V AC. Maximum power 20 W.
- ❸ Electric lock 12 V - 15 W max
- ❹ 230VAC-50-60HZ power supply



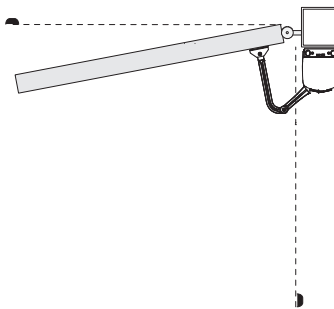
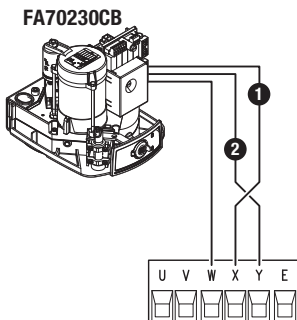
### Connecting up the gearmotor

📖 The operator is designed to be fitted on the left.

- ❶ Red cable
- ❷ White cable

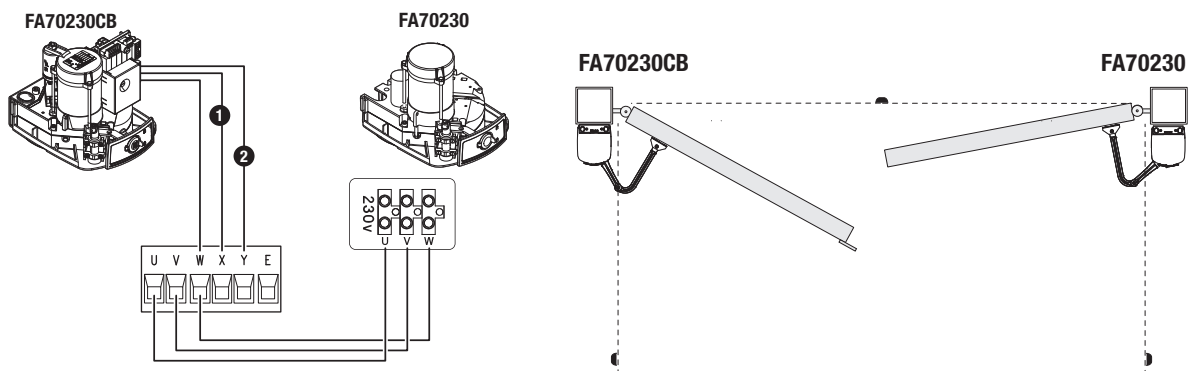


- ❶ Red cable
- ❷ White cable

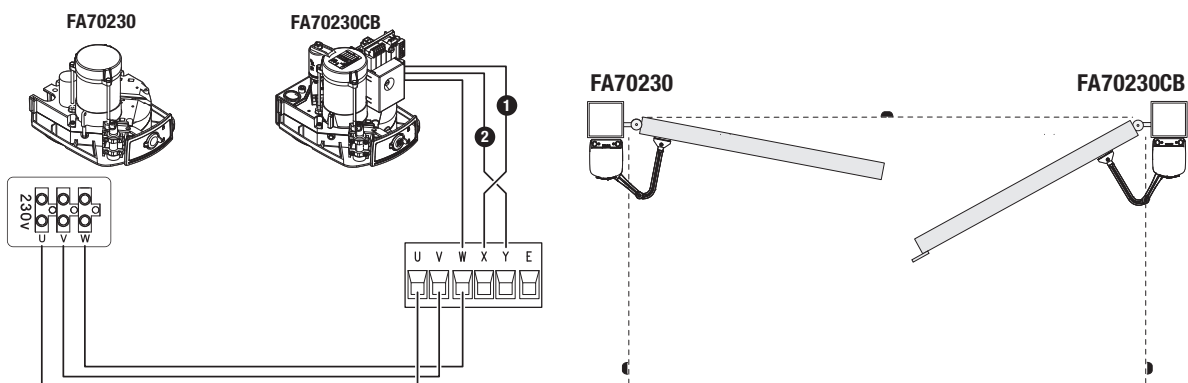


## Operator and gearmotor connection

- ❶ Red cable
- ❷ White cable



- ❶ Red cable
- ❷ White cable



## Signalling devices

### ❶ Flashing light

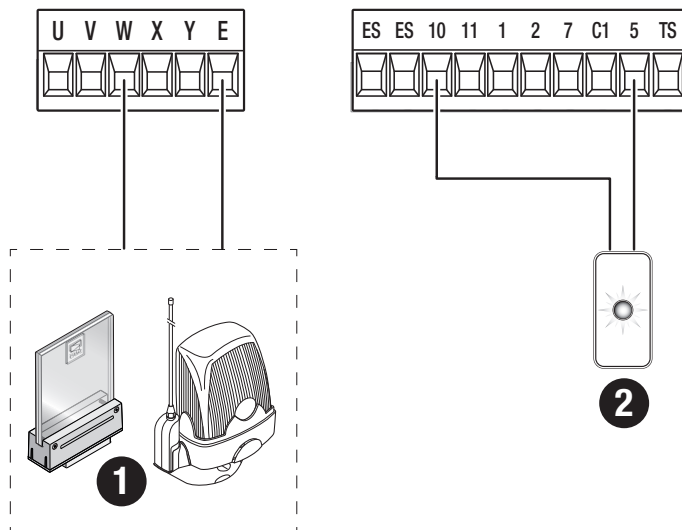
It flashes during the operator opening and closing phases.

⚠ W - E contact maximum capacity (230 V AC - 25 W)

### ❷ Operator status warning light

It warns of the operator status.

⚠ Maximum contact capacity 10 - 5 (24 V AC - 3 W)



## Command and control devices

### 1 STOP button (NC contact)

It stops the gate and excludes the automatic closing. Use a control device to resume movement.

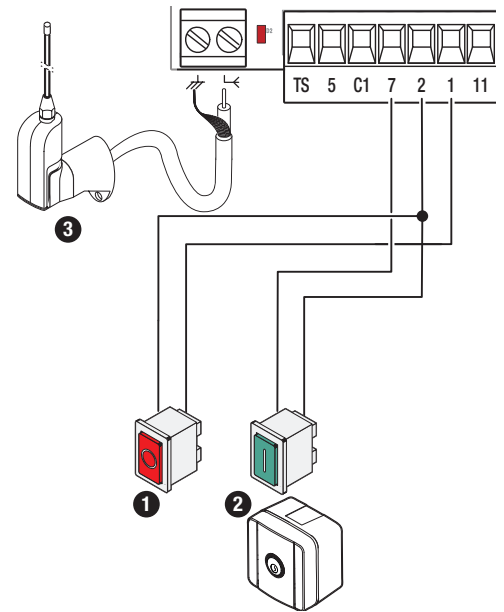
If the contact is not used it must be short circuited.

The contact can be programmed for the hold-to-run function.

### 2 Control device (NO contact)

OPEN ONLY function - For opening only.

### 3 Antenna with RG58 cable



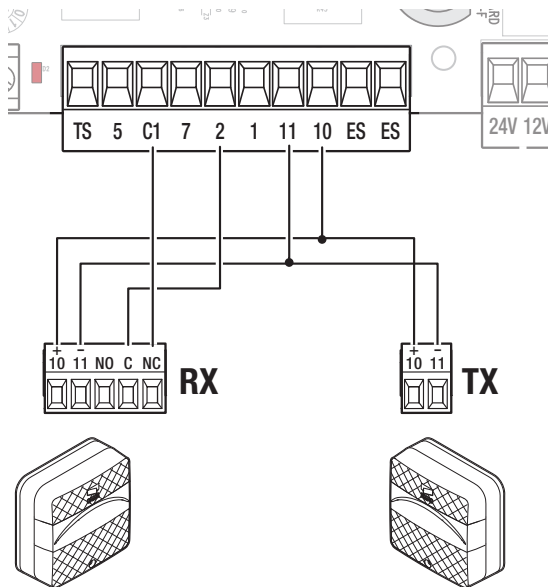
## Safety devices

### DELTA photocells

Standard connection

Multiple photocell pairs can be connected.

If the photocells are left unused, short-circuit contact 2-C1.

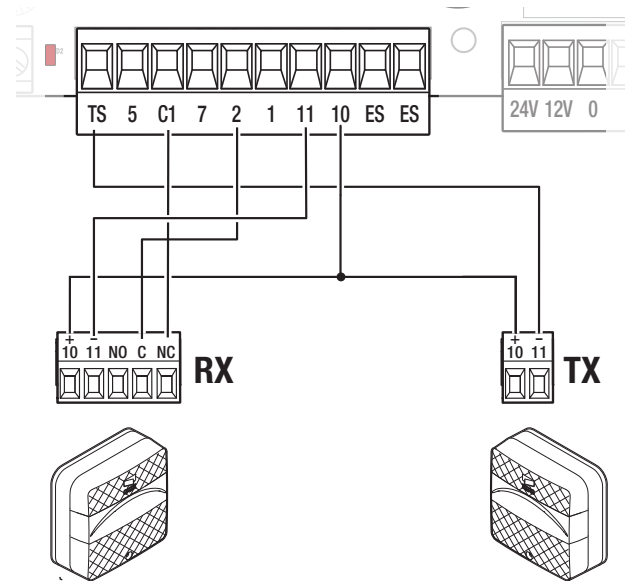


### DELTA photocells

Connection with safety test

Multiple photocell pairs can be connected.

See safety test function.

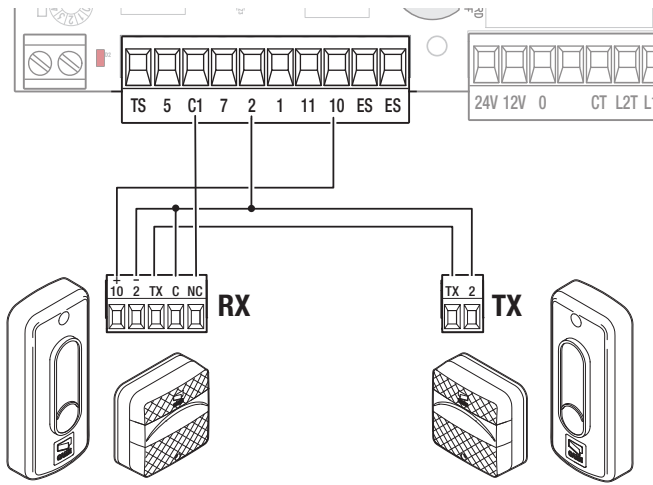




## DIR / DELTA-S photocells

Standard connection

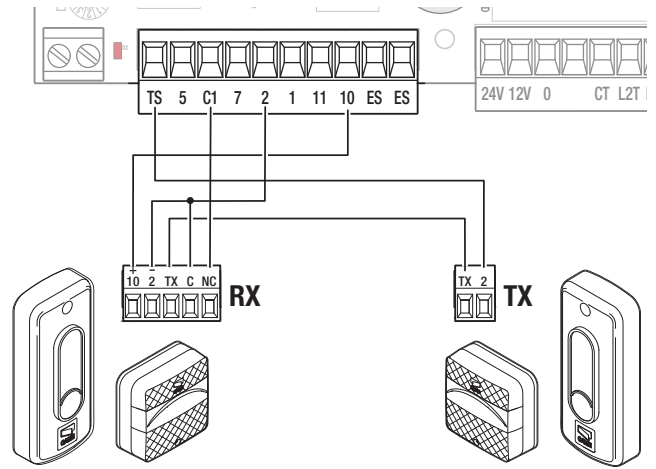
- Multiple photocell pairs can be connected.
- If the photocells are left unused, short-circuit contact 2-C1.



## DIR / DELTA-S photocells

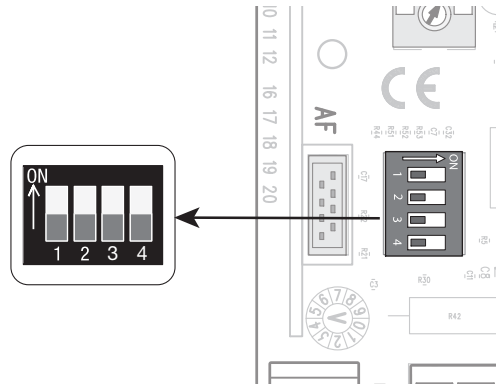
Connection with safety test

- Multiple photocell pairs can be connected.
- See safety test function.



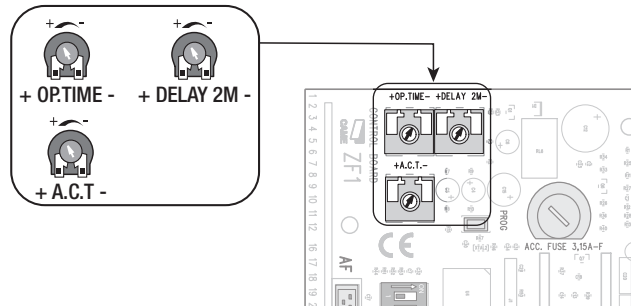
## PROGRAMMING

### Selecting the functions



<b>DIP-switch 1 ON</b>	AUTOMATIC CLOSING function
<b>DIP-switch 2 ON</b>	OPEN-STOP-CLOSE-STOP (sequential) function from control device (NO contact) and from radio transmitter fitted with AF card
<b>DIP-switch 2 OFF</b>	OPEN-CLOSE-INVERT (step-step) function from control device (NO contact) and from radio transmitter fitted with AF card
<b>DIP-switch 3 ON</b>	SAFETY TEST function At every opening or closing command, the board will check whether the photocells are working properly
<b>DIP-switch 4 ON</b>	DELETING USERS function


### Adjusting the functions

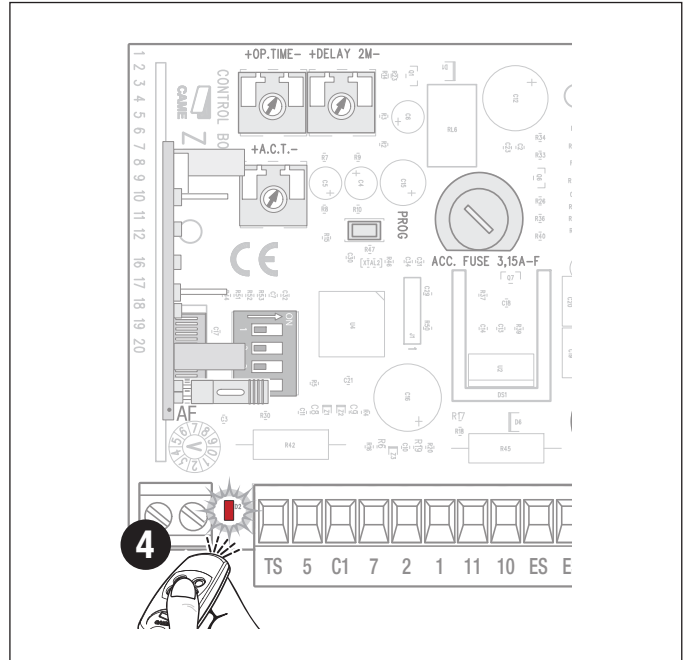
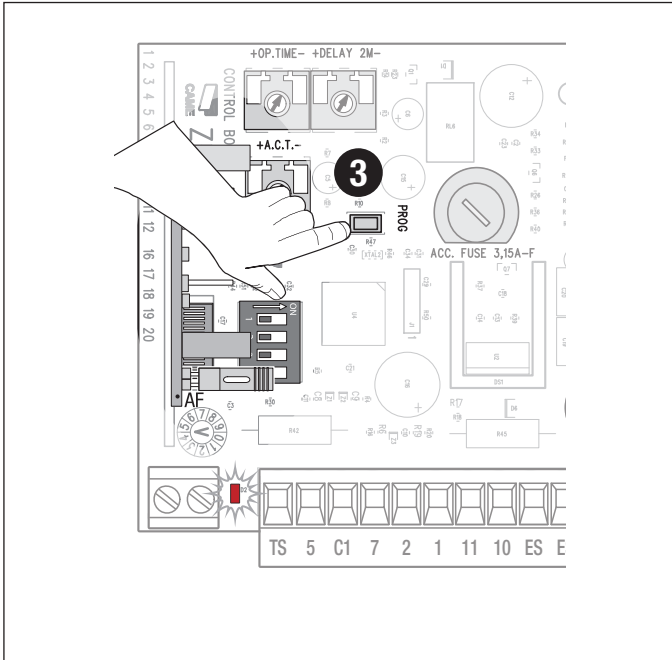
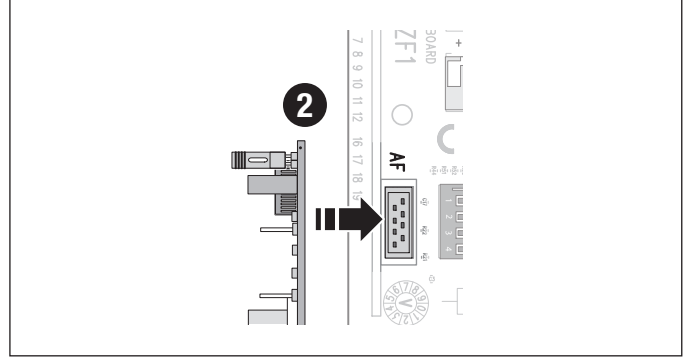
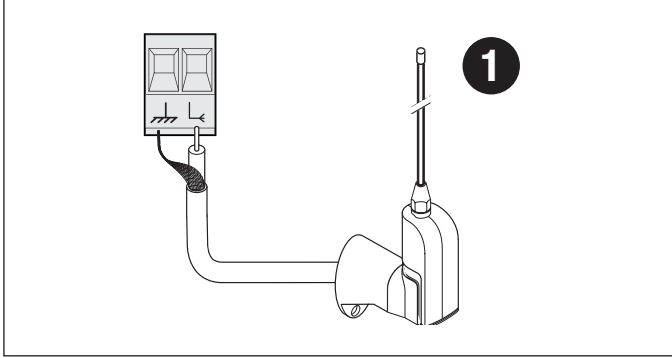


<b>TRIMMER OP.TIME</b>	Setting the working time from 15 seconds to 120 seconds. Setting the time to its minimum engages the maintained action function and disengages the transmitters.
<b>TRIMMER DELAY 2M</b>	After a closing command or after an automatic closing, the leaf of gearmotor (M2) starts with a delay compared to gearmotor (M1) for an adjustable time of between 3 and 10 seconds.
<b>TRIMMER A.C.T</b>	Setting the automatic closing time from 1 second to 120 seconds. The automatic closing does not activate if the safety devices are triggered due to obstacle detection, after a total STOP or if the power supply is missing

## Enabling the radio control

- 1 Connect the RG58 cable to the terminals.
- 2 Fit the AF card into the control board.
- 3 Keep pressed the PROG button on the control board.
- 4 Press any key on the transmitter you want to memorize.

 The warning LED flashes during the procedure and stays on with steady light once the saving is complete.

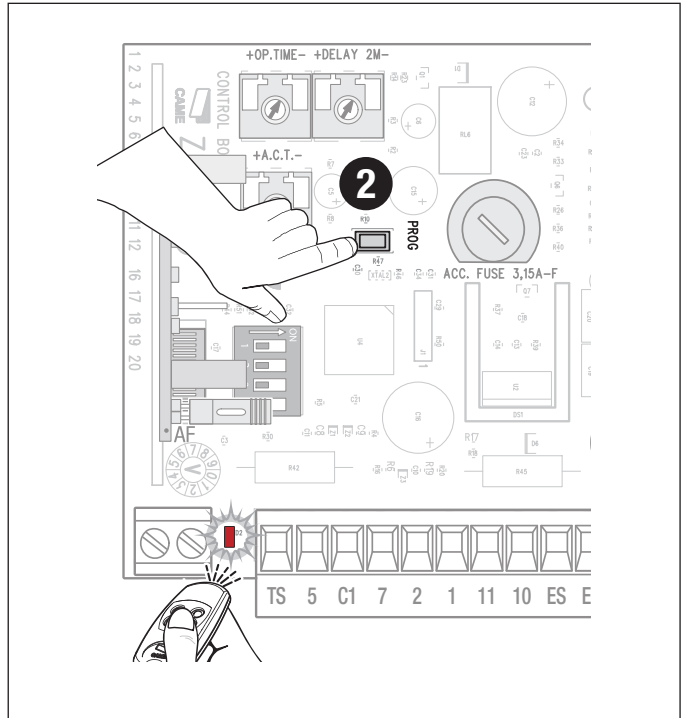
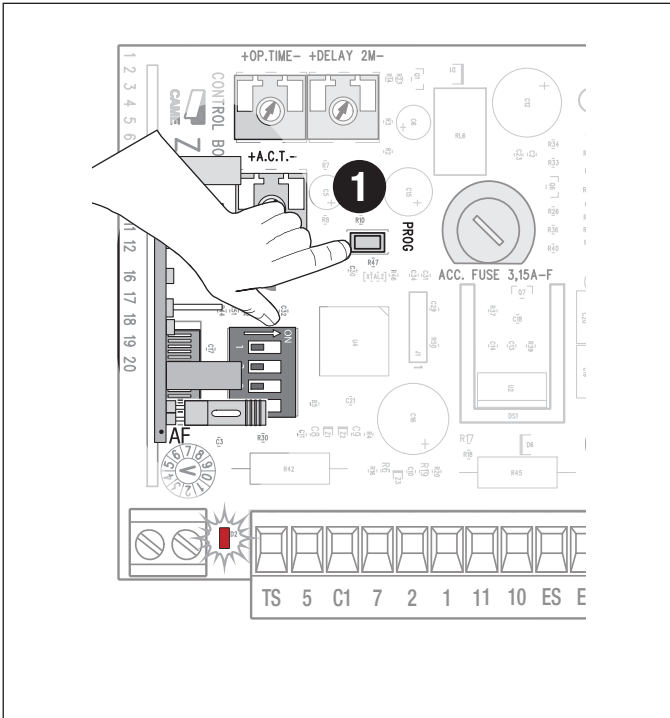


## Entering users

 You can register up to 50 users.

- 1 Keep pressed the PROG button on the control board.
- 2 Press any key on the transmitter you want to memorize.

 The warning LED flashes during the procedure and stays on with steady light once the saving is complete.



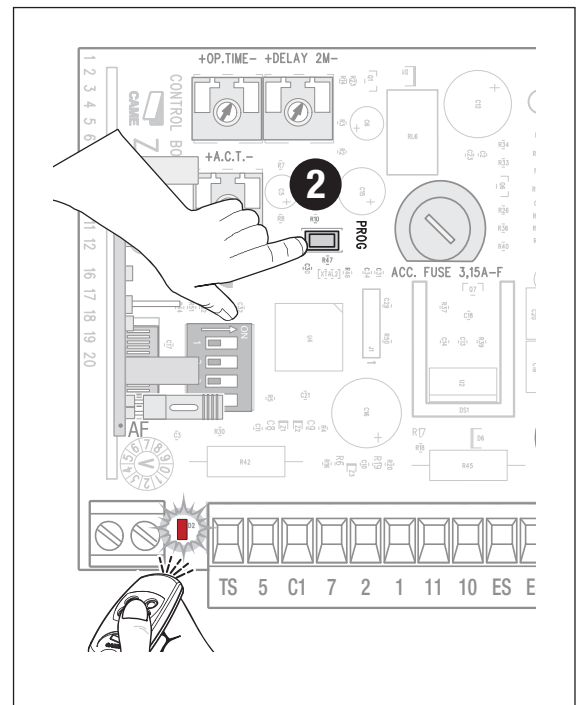
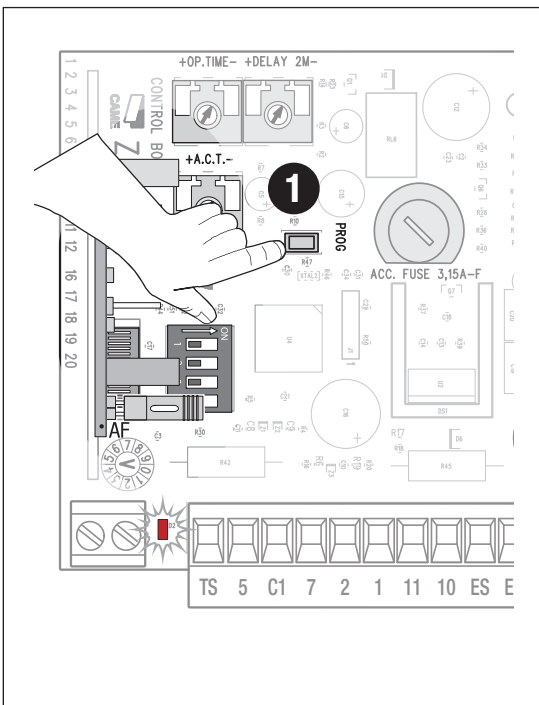
## Deleting a single user

DIP-switch 4 must be set to ON.

- 1 Keep pressed the PROG button on the control board.
- 2 Press the button on the transmitter of the user you wish to delete within 5 seconds.

 The warning LED flashes quickly during the procedure and turns off once the deletion is completed.

Reset DIP-switch 4 to OFF.



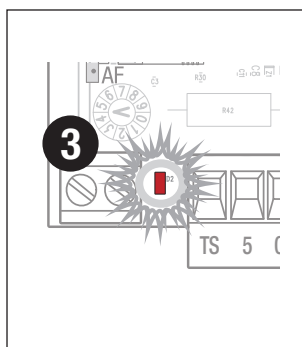
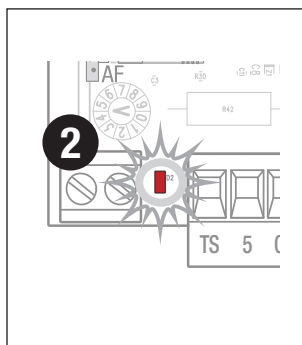
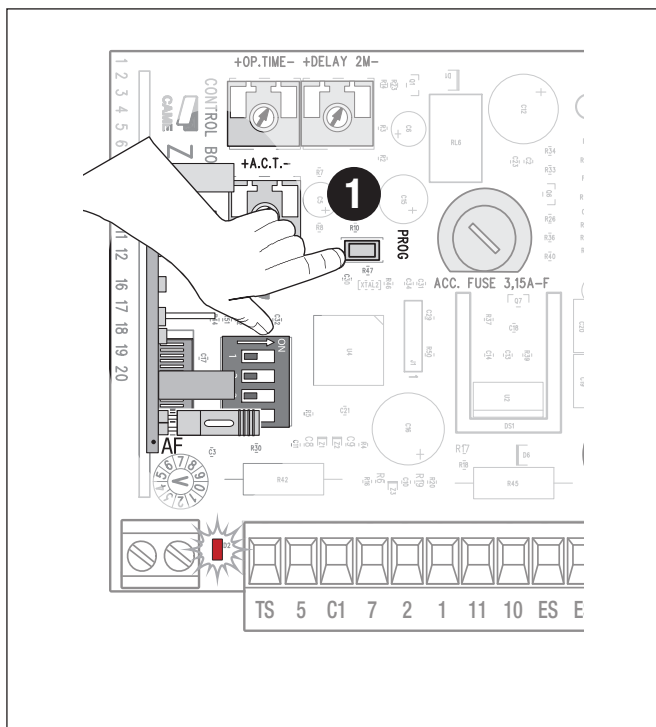
## Deleting all users

DIP-switch 4 must be set to ON.

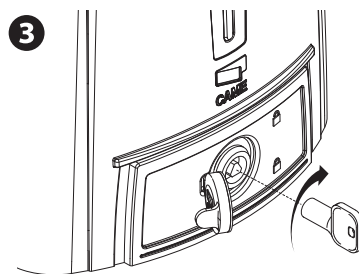
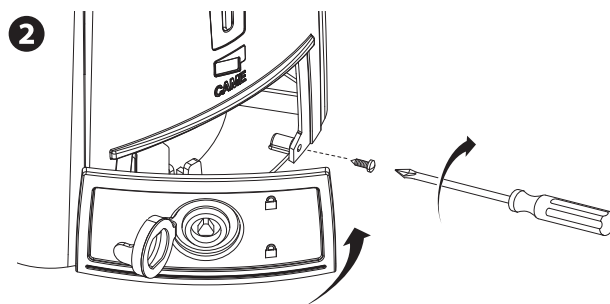
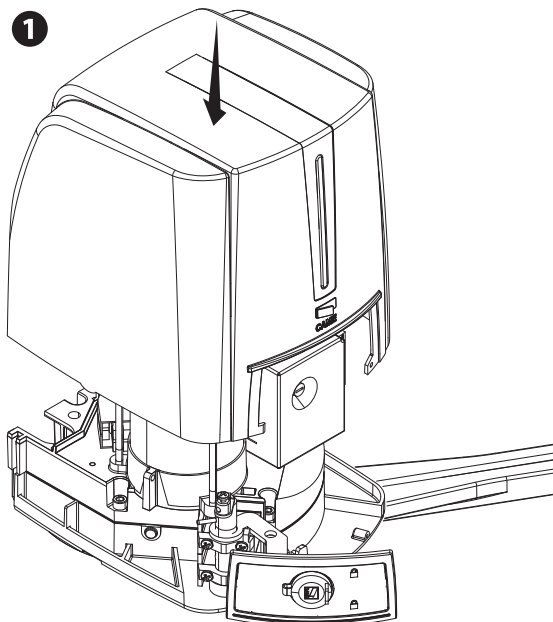
1 Keep pressed for 10 seconds the PROG button on the control board.

The warning LED flashes during the procedure and turns off once the deletion is completed.

Reset DIP-switch 4 to OFF.




## FINAL OPERATIONS

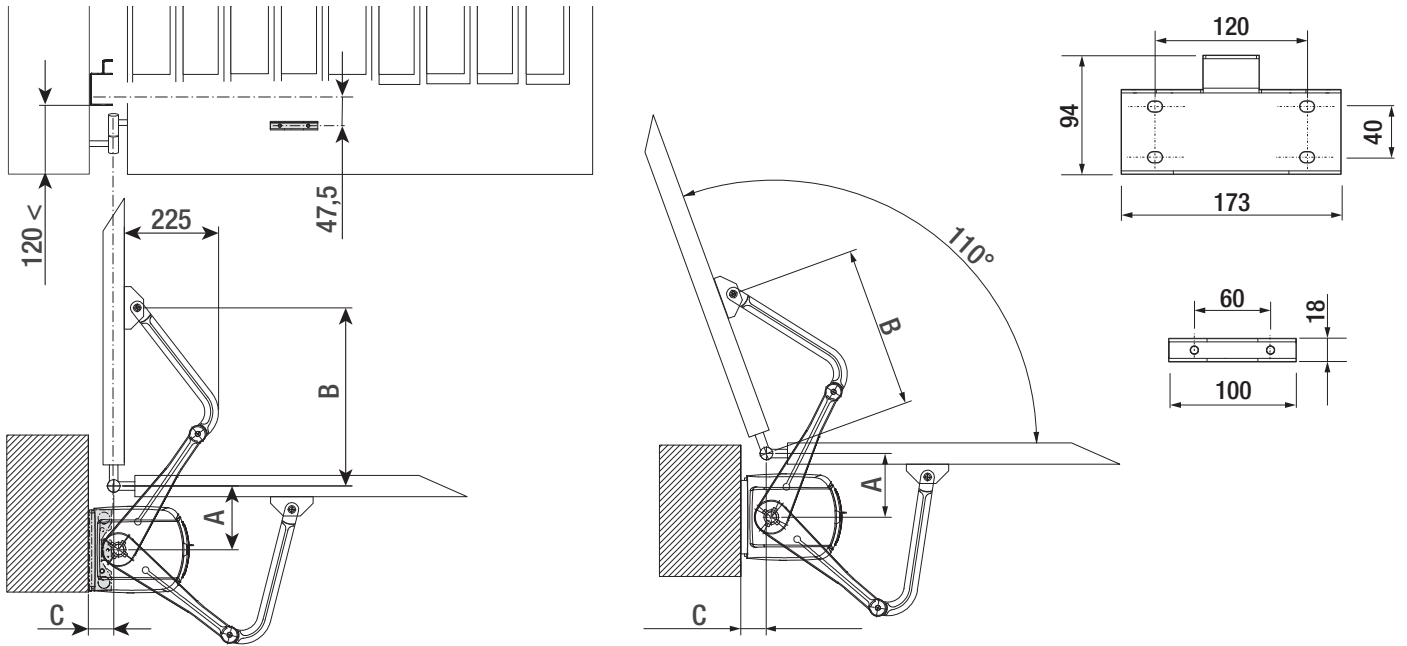


## OUTWARDS OPENING

### Establishing the brackets fastening points

First determine where the gate fastening bracket has to be positioned, then where the brace for fastening to the post has to be positioned.

 Respect the values indicated in the table.



Leaf opening arc (°)	A	B	C Max
90°	150	420	60
110°	150	380	60

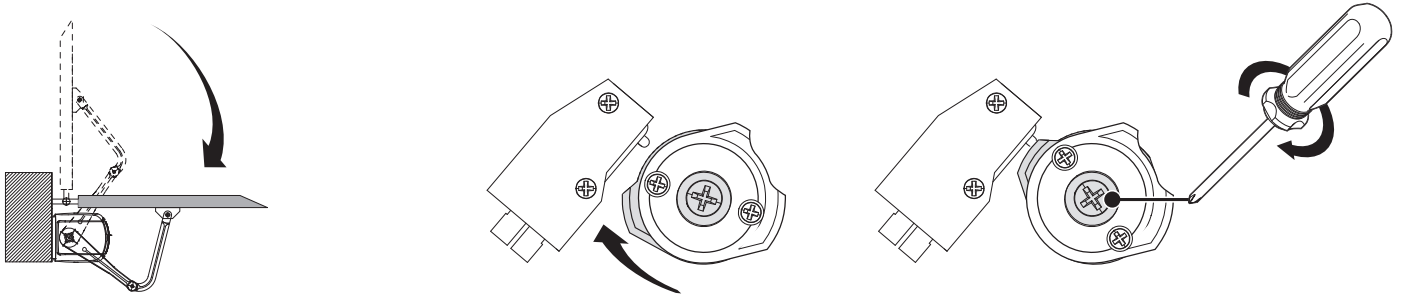
### Operator fitted on the left

Release the gearmotor.

Fully close the leaf.

Turn the lower cam counter-clockwise until the micro-switch activates.

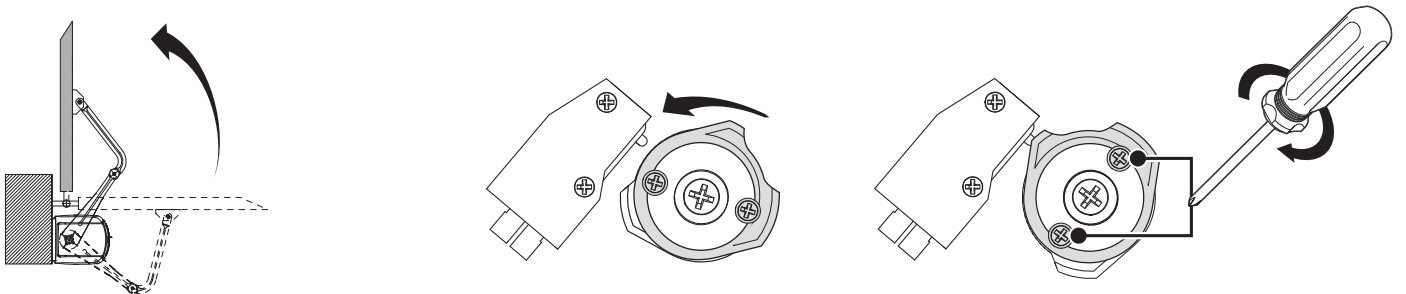
Fasten the cam by tightening the center screw.



Entirely open the gate leaf.

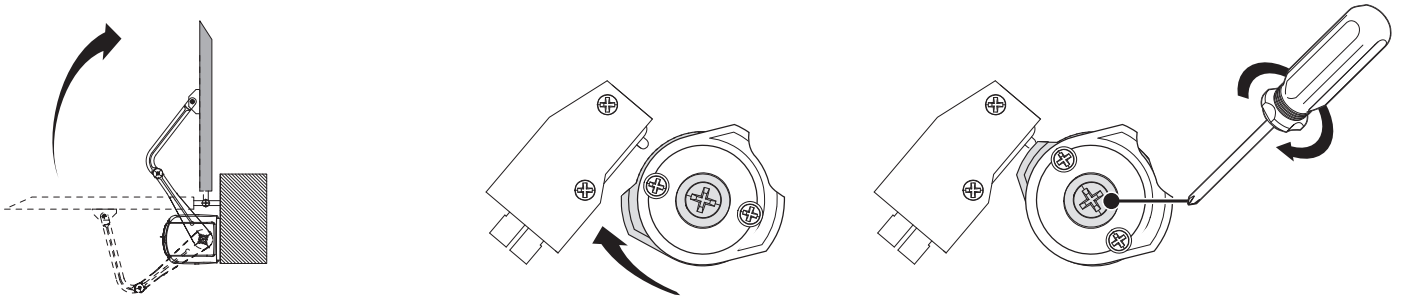
Turn the upper cam counter-clockwise until the micro-switch activates.

Fasten the cam by tightening the center screws.

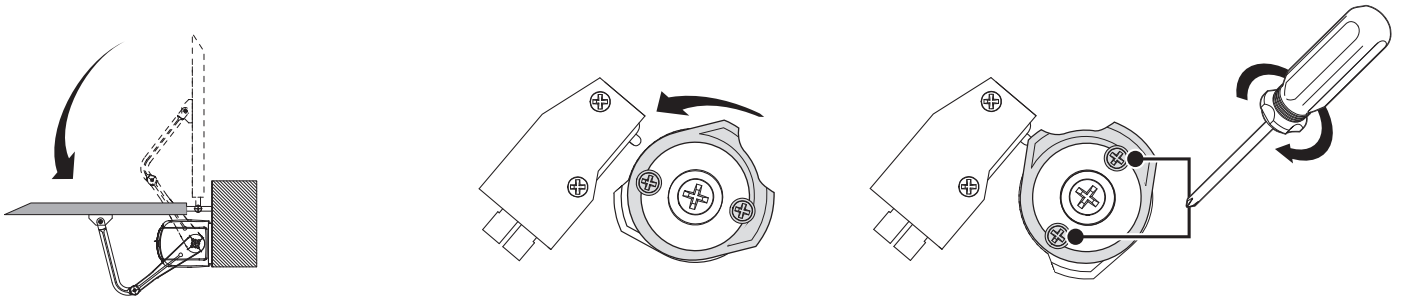


## Operator fitted on the right.

Release the gearmotor.  
Entirely open the gate leaf.  
Turn the lower cam counter-clockwise until the micro-switch activates.  
Fasten the cam by tightening the center screw.



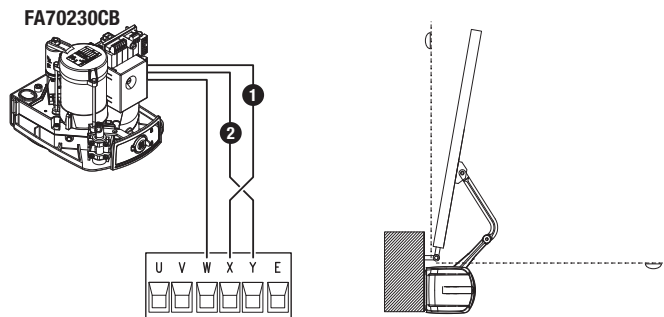
Fully close the leaf.  
Turn the upper cam counter-clockwise until the micro-switch activates.  
Fasten the cam by tightening the center screws.



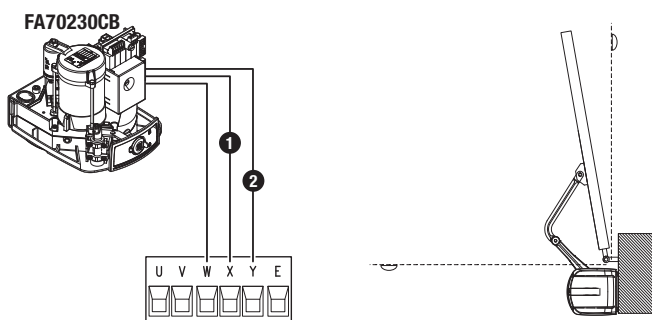
## Connecting up the gearmotor

 The operator is designed to be fitted on the left.

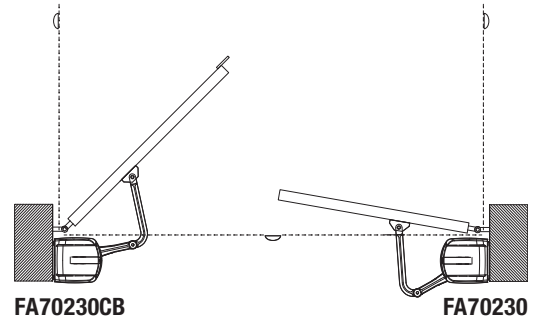
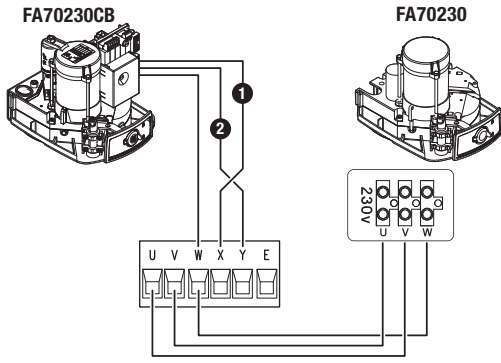
- 1 Red cable
- 2 White cable



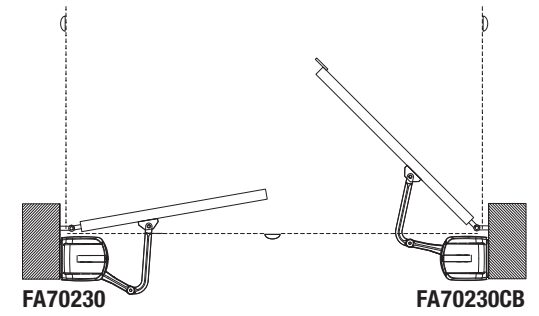
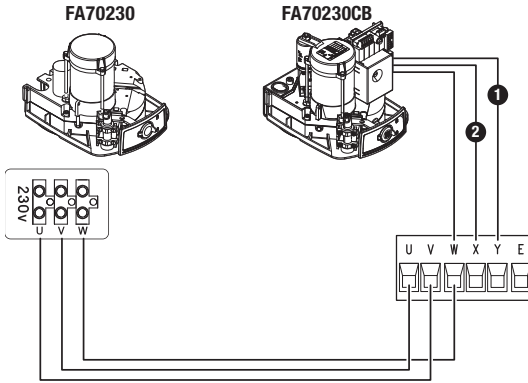
- 1 Red cable
- 2 White cable



- 1 Red cable
- 2 White cable



- 1 Red cable
- 2 White cable











Fabricante / Manufacturer / Hersteller / Fabricant / Fabricante / Fabricante  
 / Wytwórca / Fabrikant

**Came S.p.a.**

indirizzo / address / adresse / adresse / direccìon / endereço / adres / adres

Via Martiri della Libertà 15 31030 - Dosson di Casier Treviso - Italy

**CAME**  
 safety & comfort

DICHIARA CHE L'AUTOMAZIONE PER CANCELLI A BATTENTE / DECLARES THAT THE DRIVE FOR SWING GATE /  
 ERKLÄRT DASS DIE AUTOMATISIERUNG FÜR FLÜGELTORE / DECLARE QUE LE AUTOMATISATION POUR PORTAILS A  
 BATTANTS / DECLARA QUE LAS AUTOMATIZACION PARA PUERTAS BATIENTES / DECLARA QUE AS  
 AUTOMATIZAÇÕES PARA PORTÕES A BATENTE / OSWADCZA ZE AUTOMATYKA DO BRAM SKRZYDLOWYCH /  
 VERKLAART DAT DE AUTOMATISERING VOOR DRAAIHEKKEN

FA70230CB

E' CONFORME ALLE DISPOSIZIONI DELLE SEGUENTI DIRETTIVE / IT COMPLIES WITH THE PROVISIONS OF THE FOLLOWING  
 DIRECTIVES / DEN VORGABEN DER FOLGENDEN RICHTLINIEN ENTSPRECHEN / IL EST CONFORMES AUX DISPOSITIONS  
 DES DIRECTIVES SUIVANTES / CUMPLEN CON LAS DISPOSICIONES DE LAS SIGUIENTES DIRECTIVAS / ESTÃO DE ACORDO  
 COM AS DISPOSIÇÕES DAS SEGUINTES DIRECTIVAS / SA ZGODNE Z POSTANOWIENIAMI NASTĘPUJĄCYCH DYREKTYW  
 EUROPEJSKICH / VOLDOEN AAN DE VOORSCHRIFTEN VAN DE VOLGENDE RICHTLIJNEN:

- COMPATIBILITA' ELETTRROMAGNETICA / ELECTROMAGNETIC COMPATIBILITY / ELEKTROMAGNETISCHE  
 VERTRÄGLICHKEIT / COMPATIBILITÉ ELECTROMAGNÉTIQUE / COMPATIBILIDAD ELECTROMAGNÉTICA / COMPATIBILI-  
 DADE ELETTRROMAGNÉTICA / KOMPATYBILNOŚCI ELEKTROMAGNETYCZNEJ / ELEKTROMAGNETISCHE COMPATIBI-  
 LITEIT : 2014/30/UE.

- BASSA TENSIONE / LOW VOLTAGE / NIEDERSPANNUNG / BASSE TENSION / BAJA TENSÓN / BAIXA TENSÃO /  
 NISKIEGO NAPIĘCIA / LAAGSPANNING : 2014/35/UE.

Riferimento norme armonizzate ed altre norme tecniche / Refer to  
 European regulations and other technical regulations / Harmonisierte  
 Bezugsnormen und andere technische Vorgaben / Référence aux normes  
 harmonisées et aux autres normes techniques / Referência normas  
 armonizadas e outras normas técnicas / Odnosne normy ujednoliczone i inne normy  
 techniczne / Geharmoniseerde en andere technische normen waarnaar is  
 verwezen

EN 61000-6-2:2005  
 EN 61000-6-3:2007+A1:2011  
 EN 62233:2008  
 EN 60335-1:2012+A11:2014  
 EN 60335-2-103:2015

RISPETTA I REQUISITI ESSENZIALI APPLICATI: / MEET THE APPLICABLE ESSENTIAL REQUIREMENTS: / DEN WESENTLICHEN  
 ANGEWANDTEN ANFORDERUNGEN ENTSPRECHEN: / RESPECTENT LES CONDITIONS REQUISES NECESSAIRES APPLIQUEES:  
 / CUMPLEN CON LOS REQUISITOS ESENCIALES APLICADOS: / RESPETAM O REQUISITOS ESSENCIAIS APLICADOS: /  
 SPEŁNIAJA PODSTAWOWE WYMAGANIE WYRUNKI: / VOLDOEN AAN DE TOEPASBARE MINIMUM EISEN:

**1.1.3; 1.1.5; 1.2.1; 1.2.2; 1.3.2; 1.3.7; 1.3.8.1; 1.4.1; 1.4.2; 1.5.1; 1.5.6; 1.5.8; 1.5.9; 1.5.9; 1.5.13; 1.6.1; 1.6.3; 1.6.4;  
 1.7.1; 1.7.2; 1.7.4**

PERSONA AUTORIZZATA A COSTITUIRE LA DOCUMENTAZIONE TECNICA PERTINENTE / PERSON AUTHORISED TO COMPILER THE RELEVANT TECHNICAL DOCUMENTATION /  
 PERSON DIE BEVOLLMÄCHTIGT IST, DIE RELEVANTEN TECHNISCHEN UNTERLAGEN ZUSAMMENZUSTELLEN / DOCUMENTATION TECHNIQUE SPECIFIQUE D'AUTORISATION /  
 A CONSTRUIRE DE / PERSONA FACULTADA PARA ELABORAR LA DOCUMENTACIÓN TÉCNICA PERTINENTE / PESSOA AUTORIZADA A CONSTITUIR A DOCUMENTAÇÃO TÉCNICA  
 PERTINENTE / OSOBA UPLOWAZNIONA DO ZREDAGOWANIA DOKUMENTACJI TECHNICZNEJ / DEGENE DIE GEMACHTIGD IS DE RELEVANTE TECHNISCHE DOCUMENTEN  
 SAMEN TE STELLEN.

**CAME S.p.a.**

La documentazione tecnica pertinente è stata compilata in conformità all'allegato VIIB. / The pertinent technical documentation has been drawn up in compliance with attached  
 document VIIB. / Die relevante technische Dokumentation wurde entsprechend der Anlage VIIB ausgestellt. / La documentation technique spécifique a été remplie conformément à  
 l'annexe IB / La documentación técnica pertinente ha sido rellenada en cumplimiento con el anexo VIIB. / A documentação técnica pertinente foi preenchida de acordo com o anexo  
 VIIB. / Odnosna dokumentacja techniczna została zredagowana zgodnie z załącznikiem VIIB. / De technische documentatie terzake is opgesteld in overeenstemming met de bijlage VIIB.

CAME S.p.a. si impegna a trasmettere, in risposta a una richiesta adeguatamente motivata delle autorità nazionali, informazioni pertinenti sulle quasi macchine, e / Came S.p.a., following  
 a duly motivated request from the national authorities, undertakes to provide information related to the quasi machines, and / Die Firma Came S.p.a. verpflichtet sich auf eine angemessen  
 motivierte Anfrage der staatlichen Behörden Informationen über die unvollständigen Maschinen, zu übermitteln, und / Came S.p.a. s'engage à transmettre, en réponse à une demande  
 bien fondée de la part des autorités nationales, les renseignements relatifs aux quasi machines / Came S.p.a. se compromete a transmitir, como respuesta a una solicitud adecuadamente  
 fundada por parte de las autoridades nacionales, informaciones relacionadas con las cuasimáquinas / Came S.p.a. compromete-se em transmitir, em resposta a uma solicitação motivada  
 apropriadamente pelas autoridades nacionais, informações pertinentes às partes que compoñham máquinas / Came S.p.a. zobowiązuje się do udzielenia informacji dotyczących maszyn  
 nieukończonych na odpowiednio umotywowana prośba, złożona przez kompetentne organy państwowe / Came S.p.a. verbindt zich ertoe om op met redenen omkleed verzoek van de  
 nationale autoriteiten de relevante informatie voor de niet voltooidde machine te verstrekken.

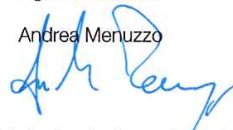
**VIETA / FORBIDS / VERBIETET / INTERDIT / PROHIBE / PROIBE / ZABRANIA SIE / VERBIEDT**

la messa in servizio finché la macchina finale in cui deve essere incorporata non è stata dichiarata conforme, se del caso alla 2006/42/CE. / commissioning of the above mentioned until such  
 moment when the final machine into which they must be incorporated, has been declared compliant, if pertinent, to 2006/42/CE. / die Inbetriebnahme bevor die „Endmaschine“ in die die  
 unvollständige Maschine eingebaut wird, als konform erklärt wurde, gegebenenfalls gemäß der Richtlinie 2006/42/EU. / la mise en service tant que la machine finale dans laquelle elle doit  
 être incorporée n'a pas été déclarée conforme, le cas échéant, à la norme 2006/42/CE. / la puesta en servicio hasta que la máquina final en la que será incorporada no haya sido declarada  
 de conformidad de acuerdo a la 2006/42/CE / a colocação em funcionamento, até que a máquina final, onde devem ser incorporadas, não for declarada em conformidade, se de acordo  
 com a 2006/42/CE. / Uruchomienia urządzenia do czasu, kiedy maszyna, do której ma być wbudowany, nie zostanie oceniona jako zgodna z wymogami dyrektywy 2006/42/WE, jeśli taka  
 procedura była konieczna. / deze in werking te stellen zolang de eindmachine waarin de niet voltooidde machine moet worden ingebouwd in overeenstemming is verklaard, indien toepasselijk  
 met de richtlijn 2006/42/EG.

Dosson di Casier (TV)  
 18 Maggio / May / Mai / Mai  
 / Mayo / Maio / Maj / Mei 2016

Amministratore Delegato / Managing Director /  
 General Direktor / Directeur Général / Director General /  
 Administrador Delegado / Dyrektor Zarządzający /  
 Algemeen Directeur

Andrea Menuzzo



Fascicolo tecnico a supporto / Supporting technical dossier / Unterstützung technische Dossier / soutien dossier technique / apoyo expediente  
 técnico / apoiar dossier técnico / wspieranie dokumentacji technicznej / ondersteunende technische dossier: 001FA70230CB

**Came S.p.a.**

Via Martiri della Libertà, 15 - 31030 Dosson di Casier - Treviso - Italy - Tel. (+39) 0422 4940 - Fax (+39) 0422 4941  
 info@came.it - www.came.com

Cap. Soc. 1.610.000,00 € - C.F. e P.I. 03481280265 - VAT IT 03481280265 - REA TV 275359 - Reg Imp. TV 03481280265

**CAME** 

**CAME S.P.A.**

Via Martiri della Libertà, 15  
 31030 Dosson di Casier  
 Treviso - Italy  
 Tel. (+39) 0422 4940  
 Fax (+39) 0422 4941

**CAME.COM**