



MP105



MP205



EN

v3.0
REV:10/2019

USER/INSTALLER MANUAL



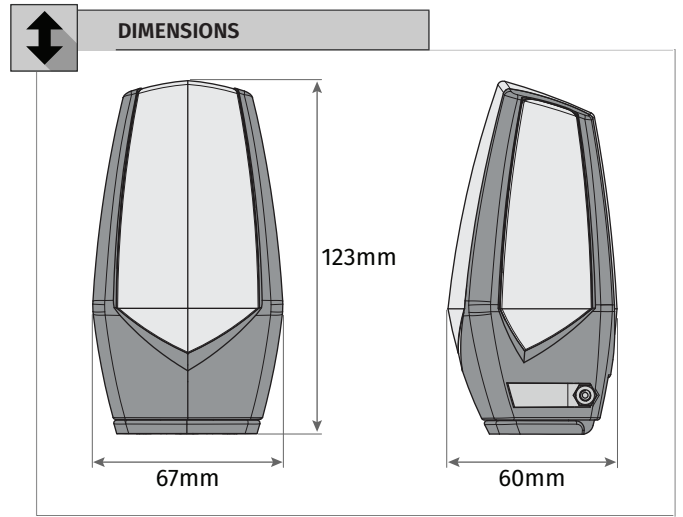
	This product is certified in accordance with European Community (EC) safety standards.
	This product complies with Directive 2011/65/EU of the European Parliament and of the Council, of 8 June 2011, on the restriction of the use of certain hazardous substances in electrical and electronic equipment.
	(Applicable in countries with recycling systems). This marking on the product or literature indicates that the product and electronic accessories (eg. Charger, USB cable, electronic material, controls, etc.) should not be disposed of as other household waste at the end of its useful life. To avoid possible harm to the environment or human health resulting from the uncontrolled disposal of waste, separate these items from other types of waste and recycle them responsibly to promote the sustainable reuse of material resources. Home users should contact the dealer where they purchased this product or the National Environment Agency for details on where and how they can take these items for environmentally safe recycling. Business users should contact their vendor and check the terms and conditions of the purchase agreement. This product and its electronic accessories should not be mixed with other commercial waste.
	This marking indicates that the product and electronic accessories (eg. charger, USB cable, electronic material, controls, etc.) are susceptible to electric shock by direct or indirect contact with electricity. Be cautious when handling the product and observe all safety procedures in this manual.

product and/or can cause physical and property damages, and will void the warranty.

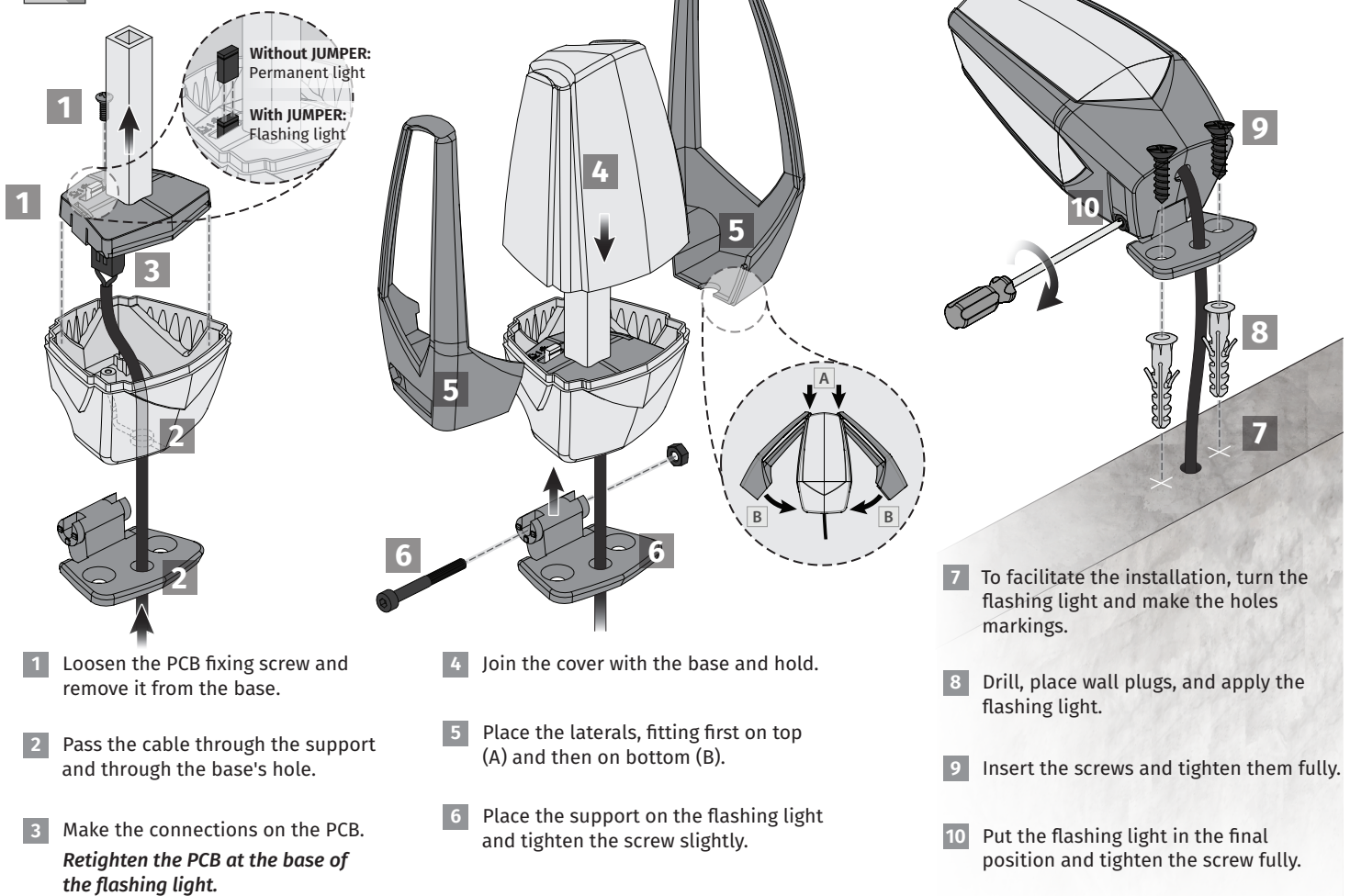
- Do not make any changes to the automation components and/or their accessories.
- The customer shall not, under any circumstances, attempt to repair or tune the automatism. Must call qualified technician only.
- The installer must have certified professional knowledge at the level of mechanical assemblies in doors and gates and control board programming. He should also be able to perform electrical connections in compliance with all applicable regulations.
- The installer should inform the customer how to handle the product in an emergency and provide him the manual.
- This device can be used by children 8 year old or older and persons whose physical, sensory or mental capacities are reduced, or by persons without experience or knowledge if they have received supervision or instructions on the use of the device in a safe manner and understood the hazards involved. Children should not play with the device. Cleaning and maintenance by the user must not be carried out by unsupervised children.
- Automatism powered by very low safety voltage, with electronic board/control board/control unit.
- Before installing, the installer must verify that the temperature range indicated on the automatism is appropriate to the location of the installation.
- If the automation is to be installed at a level higher than 2,5 m above ground level or other level of access, should be followed the minimum safety and health requirements for the use of work equipment workers at work in Directive 2009/104/EC of the European Parliament and of the Council of 16th September of 2009.
- In order to protect the electrical cables against mechanical stress, you should use conduit for the electrical wires, essentially on the power cable.

- It is important for your safety that these instructions are followed.
- Keep these instructions in a safe place for future reference.
- The **ELECTROCELOS S.A.** is not responsible for the improper use of the product, or other use than that for which it was designed.
- The **ELECTROCELOS S.A.** is not responsible if safety standards were not taken into account when installing the equipment, or for any deformation that may occur.
- The **ELECTROCELOS S.A.** is not responsible for insecurity and malfunction of the product when used with components that were not sold by the them.
- This product was designed and manufactured strictly for the use indicated in this manual.
- Any other use not expressly indicated may damage the

MP105	Color of light emitted: White
MP205	Color of light emitted: Orange
<ul style="list-style-type: none"> • Universal LED flashing lights; • Compatible with all types of control boards; • Programmable for intermittent and fixed light (See JUMPER). 	
• Power Supply	12V a 230Vac/dc
• Power	+/- 3w
• Illumination angle	360°
• Luminous flux	120 lm
• Flashing frequency	1Hz
• Working temperature	-25° C to +55° C
• Protection grade	IP54
• Construction material	ABS Polycarbonate



INSTALLATION



1 Loosen the PCB fixing screw and remove it from the base.

2 Pass the cable through the support and through the base's hole.

3 Make the connections on the PCB.
Retighten the PCB at the base of the flashing light.

4 Join the cover with the base and hold.

5 Place the laterals, fitting first on top (A) and then on bottom (B).

6 Place the support on the flashing light and tighten the screw slightly.

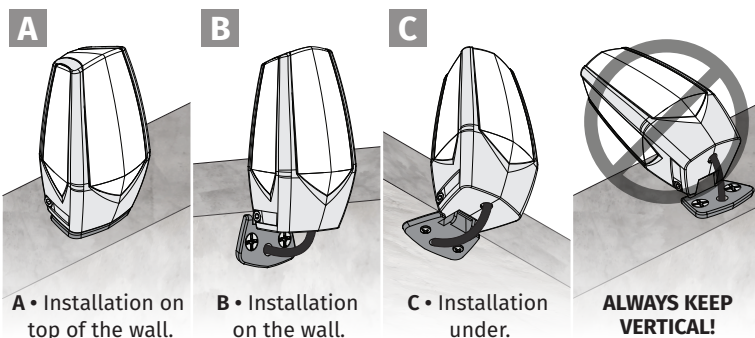
7 To facilitate the installation, turn the flashing light and make the holes markings.

8 Drill, place wall plugs, and apply the flashing light.

9 Insert the screws and tighten them fully.

10 Put the flashing light in the final position and tighten the screw fully.

INSTALLATION POSITIONS



CONNECTION SCHEME

