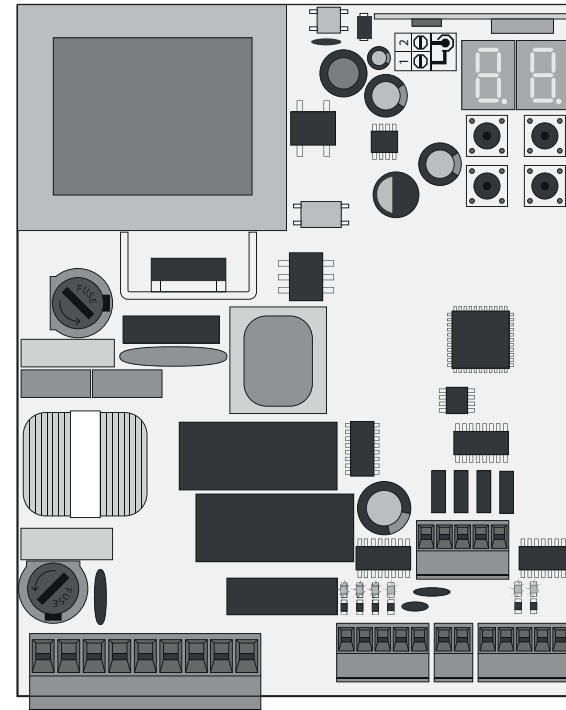




MC50

USER/INSTALLER MANUAL



00. CONTENT

INDEX

01. SAFETY INSTRUCTIONS

STANDARDS TO FOLLOW	2A
---------------------	----

02. CONTROL BOARD

TECHNICAL SPECIFICATIONS	4B
PROGRAMMING PRE-RECOMENDATIONS	5A
ESSENTIAL STEPS FOR INSTALLATION	5B
REMOTE CONTROLS	6A
"P" MENU FUNCTIONS	6A
"E" MENU FUNCTIONS	7A

03. PROGRAMMING (P)

P0-AUTOMATIC AND SEMI-AUTOMATIC COURSE PROGRAMMING	7B
P1-SETTING THE DECELERATION TIME	8A
P2-SETTING STRENGTH AND SENSITIVITY	8B
P3-PEDESTRIAN COURSE TIME	8B
P4-PAUSE TIME	9A
P5-PHOTOCELLS PROGRAMMING	9A
P6-SAFETY BAND	9B
P7-OPERATING LOGIC	10A
P8-FLASHING LIGHT	10A
P9-REMOTE PROGRAMMING	10B

04. PROGRAMMING (E)

E0-PRESENT MAN	11A
E1-SOFT START AND SOFT STOP	11A
E2-COURTESY LIGHT TIME	11B
E3-FOLLOW ME	11B
E5-ELECTRIC BRAKE	12A
E6-DECELERATION SPEED	12A
E7-MANEUVERS COUNTER	12A
E8-RESET - RESTORE FACTORY VALUES	12B
E9-RGB OUTPUT	12B

05. DISPLAY

DISPLAY INDICATIONS	12B
---------------------	-----

06. COMPONENTS TEST

CAPACITOR SCHEME	13
------------------	----

07. TROUBLESHOOTING




INSTRUCTIONS FOR FINAL CONSUMERS/TECHNICIANS	14
--	----

08. CONNECTION SCHEME

CONNECTIONS MAP - SLIDING GATES	15
CONNECTIONS MAP - SECTIONAL DOORS	16
CONNECTIONS MAP - BARRIERS	17

01. SAFETY INSTRUCTIONS

ATENÇÃO:

	This product is certified in accordance with European Community (EC) safety standards.
RoHS	This product complies with Directive 2011/65/EU of the European Parliament and of the Council, of 8 June 2011, on the restriction of the use of certain hazardous substances in electrical and electronic equipment and with Delegated Directive (EU) 2015/863 from Commission.
	(Applicable in countries with recycling systems). This marking on the product or literature indicates that the product and electronic accessories (eg. Charger, USB cable, electronic material, controls, etc.) should not be disposed of as other household waste at the end of its useful life. To avoid possible harm to the environment or human health resulting from the uncontrolled disposal of waste, separate these items from other types of waste and recycle them responsibly to promote the sustainable reuse of material resources. Home users should contact the dealer where they purchased this product or the National Environment Agency for details on where and how they can take these items for environmentally safe recycling. Business users should contact their vendor and check the terms and conditions of the purchase agreement. This product and its electronic accessories should not be mixed with other commercial waste.
	This marking indicates that the product and electronic accessories (eg. charger, USB cable, electronic material, controls, etc.) are susceptible to electric shock by direct or indirect contact with electricity. Be cautious when handling the product and observe all safety procedures in this manual.

GENERAL WARNINGS

- This manual contains very important safety and usage information. very important. Read all instructions carefully before beginning the installation/usage procedures and keep this manual in a safe place that it can be consulted whenever necessary.
- This product is intended for use only as described in this manual. Any other enforcement or operation that is not mentioned is expressly prohibited, as it may damage the product and put people at risk causing serious injuries.
- This manual is intended firstly for specialized technicians, and does not invalidate the user's responsibility to read the "User Norms" section in order to ensure the correct functioning of the product.
- The installation and repair of this product may be done by qualified and specialized technicians, to assure every procedure are carried out in accordance with applicable rules and norms. Nonprofessional and inexperienced users are expressly prohibited of taking any action, unless explicitly requested by specialized technicians to do so.
- Installations must be frequently inspected for unbalance and the wear signals of the cables, springs, hinges, wheels, supports and other mechanical assembly parts.
- Do not use the product if it is necessary repair or adjustment is required.
- When performing maintenance, cleaning and replacement of parts, the product must be disconnected from power supply. Also including any operation that requires opening the product cover.
- The use, cleaning and maintenance of this product may be carried out by any persons aged eight years old and over and persons whose physical, sensorial or mental capacities are lower, or by persons without any knowledge of the product, provided that these are supervision and instructions given by persons with experienced in terms of usage of the product in a safe manner and who understands the risks and dangers involved.
- Children shouldn't play with the product or opening devices to avoid the motorized door or gate from being triggered involuntarily.

01. SAFETY INSTRUCTIONS

WARNINGS FOR TECHNICIANS

- Before beginning the installation procedures, make sure that you have all the devices and materials necessary to complete the installation of the product.
- You should note your Protection Index (IP) and operating temperature to ensure that is suitable for the installation site.
- Provide the manual of the product to the user and let them know how to handle it in an emergency.
- If the automatism is installed on a gate with a pedestrian door, a door locking mechanism must be installed while the gate is in motion.
- Do not install the product “upside down” or supported by elements do not support its weight. If necessary, add brackets at strategic points to ensure the safety of the automatism.
- Do not install the product in explosive site.
- Safety devices must protect the possible crushing, cutting, transport and danger areas of the motorized door or gate.
- Verify that the elements to be automated (gates, door, windows, blinds, etc.) are in perfect function, aligned and level. Also verify if the necessary mechanical stops are in the appropriate places.
- The central must be installed on a safe place of any fluid (rain, moisture, etc.), dust and pests.
- You must route the various electrical cables through protective tubes, to protect them against mechanical exertions, essentially on the power supply cable. Please note that all the cables must enter the central from the bottom.
- If the automatism is to be installed at a height of more than 2,5m from the ground or other level of access, the minimum safety and health requirements for the use of work equipment workers at the work of Directive 2009/104/CE of European Parliament and of the Council of 16 September 2009.
- Attach the permanent label for the manual release as close as possible to the release mechanism.
- Disconnect means, such as a switch or circuit breaker on the electrical

- panel, must be provided on the product’s fixed power supply leads in accordance with the installation rules.
- If the product to be installed requires power supply of 230Vac or 110Vac, ensure that connection is to an electrical panel with ground connection.
 - The product is only powered by low voltage safety with central (only at 24V motors)

WARNINGS FOR USERS

- Keep this manual in a safe place to be consulted whenever necessary.
- If the product has contact with fluids without being prepared, it must immediately disconnect from the power supply to avoid short circuits, and consult a specialized technician.
- Ensure that technician has provided you the product manual and informed you how to handle the product in an emergency.
- If the system requires any repair or modification, unlock the automatism, turn off the power and do not use it until all safety conditions have been met.
- In the event of tripping of circuits breakers or fuse failure, locate the malfunction and solve it before resetting the circuit breaker or replacing the fuse. If the malfunction is not repairable by consult this manual, contact a technician.
- Keep the operation area of the motorized gate free while the gate in motion, and do not create strength to the gate movement.
- Do not perform any operation on mechanical elements or hinges if the product is in motion.

RESPONSABILITY

- Supplier disclaims any liability if:
 - Product failure or deformation result from improper installation use or maintenance!
 - Safety norms are not followed in the installation, use and maintenance of the product.

01. SAFETY INSTRUCTIONS

- Instructions in this manual are not followed.
- Damaged is caused by unauthorized modifications
- In these cases, the warranty is voided.

MOTORLINE ELECTROCELOS SA.

Travessa do Sobreiro, nº29
4755-474 Rio Côvo (Santa Eugénia)
Barcelos, Portugal

SYMBOLS LEGEND:



• Important safety notices



• Useful information



• Programming information



• Potentiometer information



• Connectors information



• Buttons information

02. CONTROL BOARD

TECHNICAL SPECIFICATIONS

The MC50SC is a monophasic control board com a control system via incorporated rádio, developed for the automation of sliding gates and sectional doors.

	110V version	230V version
• Power Supply	110Vac 60Hz	230Vac 50-60Hz
• Flashing light's output	110Vac 60Hz 100W max.	230Vac 50Hz 100W max.
• RGB Flashing light's output	24Vdc 100mA max.	
• Motor's output	110Vac 60Hz 1000W max.	230Vac 50-60Hz 1000W max.
• Auxiliary accessories output	24Vdc 8W max.	
• Security and BT Remote controls	24Vdc	
• Working temperature	-25°C to +55°C	
• Incorporated Radio Receptor	433,92 Mhz	
• OP Remote controls	12bits or Rolling Code	
• Maximum Memory Capacity	100 (full opening) - 100 (pedestrian opening)	
• Control board Dimensions	105mm x 130mm	

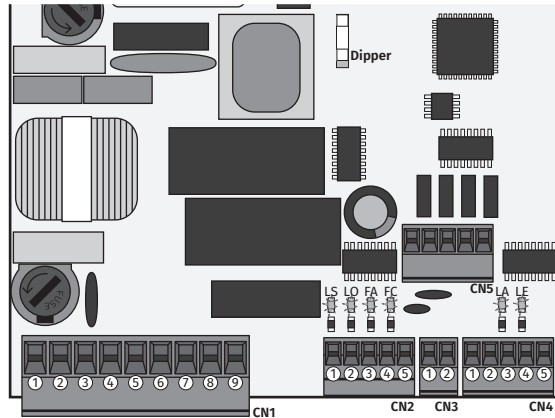
CONNECTOR'S DESCRIPTION

CN1	<ul style="list-style-type: none"> 01 • Grounding 02 • Grounding 03 • 110/230V Line Input (phase) 04 • 110/230V Line Input (neutral) 05 • 110/230V Motor's Output – Opening 06 • 110/230V Motor's Output – Common 07 • 110/230V Motor's Output - Closing 08 • 110/230Vac Flashing light 09 • 110/230Vac Flashing light 	CN4	<ul style="list-style-type: none"> 01 • Safety Edge 02 • Photocells 03 • Encoder (not used) 04 • Encoder (not used) 05 • Common
CN2	<ul style="list-style-type: none"> 01 • Pedestrian Push input 02 • Total Push input 03 • Motor's opening limit-switch input (OPEN) 04 • Motor's closing limit-switch input (CLOSE) 05 • Common 	CN5	<ul style="list-style-type: none"> 01 • +24Vdc Auxiliary Power Supply for LED RGB flashing light 02 • Y output 03 • R output 04 • G output 05 • B output
CN3	<ul style="list-style-type: none"> 01 • 24Vdc 200mA max power supply 24V 02 • 24Vdc 200mA max power supply (↕) 		

02. CONTROL BOARD

PROGRAMMING PRE-RECOMENDATIONS

To enhance knowledge about the control board operation, before proceeding to the setup, give special attention to the instructions that follow.



LEDs	<p>LS • LED ON when the pedestrian push button is active.</p> <p>LO • LED ON when the total push button is active.</p> <p>FA • LED off when the opening limit switch is active (P0 -> d1=RT). LED on when the opening limit switch is active (P0 -> d1=LE).</p> <p>FC • LED off when the opening limit switch is active (P0 -> d1=RT). LED on when the opening limit switch is active (P0 -> d1=LE).</p> <p>LA • LED OFF when safety edge is active (when P6 is active).</p> <p>LE • LED OFF when photocells are active (when P5 is active).</p>
CN1	<p>Courtesy light or flashing light:</p> <p>08 and 09 • This output allows connection of a courtesy light or a flashing light (see P8 in page 10A).</p>
CN2	<p>Limit switches:</p> <p>03 and 04 • The control board needs a opening and closing limit-switches connection (both in NC). Triggering any limit-switch will make the immediate stoppage of the movement.</p> <p>The limit-switch thrriggering is visible on the display. OP (opening limit switch activated) and CL (opening limit switch activated).</p> <p>It is mandatory the use of limit switches.</p>
CN4	<p>Safety circuits:</p> <p>01 • This input allows connection of safety bands. The device operates according to programming set in the P6 menu (page 9B).</p> <p>02 • This input allows connection of photocells. The device operates according to programming set in the P5 menu (page 9B).</p> <p>Shunt application is not necessary.</p>

02. CONTROL BOARD

PROGRAMMING PRE-RECOMENDATIONS

CN5	<p>01 • Auxiliary output for flashing light or 24V DC LED.</p> <p>Open collector for the management of auxiliary functions:</p> <p>02 • The Y output is activated in intermittent mode, only with the closed gate.</p> <p>03 • The R output is activated in intermittent mode, only in closing phase.</p> <p>04 • The G output is activated in intermittent mode, only in opening phase.</p> <p>05 • The B output is activated in intermittent mode, only in pause time.</p>
Jumper	<p>Control board with jumper for motors > 500 watts</p> <p>Control board without jumper for motors <500 watts</p>

ESSENTIAL STEPS FOR INSTALLATION



The installation process assumes that the gate has already limit switches plates installed. For more information consult the motor's manual.

- Make the connections of all the accessories according to the connection scheme (page 15/16/17).
- Connect the control board to a 110/230V power supply (3 and 4 - CN1 terminals).
- Make sure that the gate movement is the same as the one shown on the display:

00	00	<p>If the display does not match with the movement of the gate, access to the P0-dl menu and change the gate direction.</p>
CLOSING	OPENING	

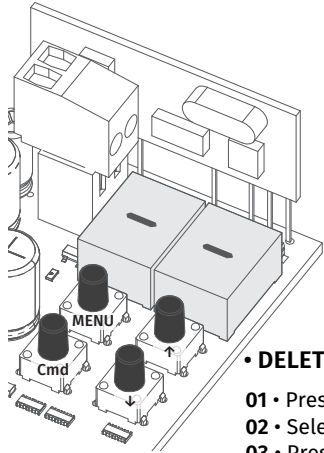
- Check the limit switches, taking into account the indication that appears on the display.
- Make an automatic programming - **P0** menu (**page 7B**).
- If necessary, adjust the gate of the deceleration time in opening and closing - **P1** menu (**page 8A**).
- Adjust the strength and sensitivity of the motor - **P2** menu (**page 8A**).
- Make an automatic programming of the course again - **P0** menu (**page 7B**).
- Enable or disable the use of photocells in the **P5** menu (**page 9A**).
- Enable or disable the use of safety band in the **P6** menu (**page 9B**).
- Program a transmitter (**page 6A**).

The control board is now fully configured!

Check the menus from the programming pages in case you wish to configure other features of the control board.

02. CONTROL BOARD

REMOTE CONTROLS



SU Programming a remote control for full opening.

SP Programming a remote control for pedestrian opening.

• REMOTE CONTROL PROGRAMMING

- 01 • Press the **cmd** button for 1 sec.
- 02 • Select the function where you want to program the remote controls (SU and SP) using ↓ ↑.
- 03 • Press **cmd** once to confirm the function (SE or SP).
- 04 • The first free position appears.
- 05 • Press the command button you want to program. The display will blink and move to the next free location.

• DELETE REMOTE CONTROLS

- 01 • Press the **cmd** button for 1 sec.
- 02 • Select the function (SU or SP) using ↓ ↑.
- 03 • Press **cmd** once to confirm the function (SU or SP).
- 04 • Use ↓ ↑ to select the transmitter location you want to delete.
- 05 • Press cmd for 3sec. and the position is empty. The display will flash and the position will be available.

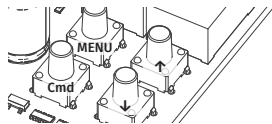
• DELETE ALL THE REMOTE CONTROLS

- 01 • Press the **cmd** button for 5 sec.
- 02 • The display will show **dL**, confirming that all remote controls have been deleted.



- Whenever you store or delete a remote control, the display will flash and show the next position. You can add or delete remote controls without go back to point 01.
- If you do not press any key for 10 seconds the control board will return to standby.

"P" MENU FUNCTIONS



- To access the **P menu** press the MENU key for 3 seconds.
- Use ↓ ↑ to navigate through the menus.
- Press MENU when you want to confirm access to a menu.
- Press ↓ ↑ simultaneously to exit programming.

MENU	FUNCTION	MAX. MIN. PROGRAMMABLE	STATE	FACTORY VALUE	PAGE
00	Course programming	-	00 Automatic programming	-	7B
			01 Semi-automatic programming		
			02 Sliding motor		
			03 Sectional motor		
			04 Barriers		
			05 Reversed motor direction		
			06 Standard motor direction		
			07		

6A

EN

02. CONTROL BOARD

"P" MENU FUNCTIONS

MENU	FUNCTION	MAX. MIN. PROGRAMMABLE	STATE	FACTORY VALUE	PAGE
08	Setting the deceleration time	min. 0 max. 45	08 Opening deceleration	SC: 03 BR: 04 SE: 02	8A
			09 Closing deceleration	SC: 03 BR: 06 SE: 04	
09	Setting strength and sensitivity	min. 1 max. 9	09 Force adjustment	SC, BR, SE: 09	8A
			10 Sensibility adjustment	SC, BR: 00 SE: 04	
			11 Sens. adjustment in deceleration	SC, BR, SE: 00	
12	Pedestrian course time	min. 15 max. 99	12 Time adjustment in pedestrian mode	SC: 10 BR, SE: 00	8B
13	Pause time	min. 1 max. 99	13 Total closure pause time adjustment	SC, BR, SE: 00	9A
			14 Pedestrian closure pause time adjustment		
15	Photocells programming	-	15 Photocells Disabled	SC, BR, SE: 00	9A
			16 Photocells Activated		
			17 Photocells in closing		
			18 Photocells in opening		
16	Safety band	-	16 Security Band Disabled	SC, BR, SE: 00	9B
			17 Security Band Activated		
			18 8k2 input		
			19 NC input		
			20 Band in closure		
			21 Band in opening		
17	Operating logic	-	17 Automatic mode function	SC, SE: 00 BR: 02	10A
			18 Step by step mode function		
			19 Mode condominium function		
18	Flashing light	-	18 Fixed light	SC, SE, BR: 00	10A
			19 Flashing light		
			20 Courtesy light		
19	Remote programming	-	19 Electromagnet flashing light	SC, SE, BR: 00	10B
			20 Distance PGM OFF		
			21 Distance PGM ON		

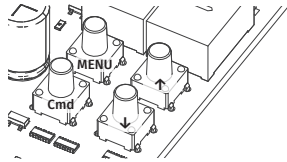
SC: Sliding motor; SE: Sectional motor; BR: Barriers

EN

6B

02. CONTROL BOARD

"E" MENU FUNCTIONS



- To access the **E menu** press the MENU key for 10sec.
- Use ↓ ↑ to navigate through the menus.
- Press MENU when you want to confirm access to a menu.
- Press ↓ ↑ simultaneously to exit programming.

MENU	FUNCTION	MAX. MIN. PROGRAMMABLE	STATE	FACTORY VALUE	PAGE
E0	Present man	-	00 Deactivates present man	SC, BR, SE: 00	11A
			01 Ascent and descent in present man		
			02 Automatic ascent descent in man present		
			00 Deactivate pushbutton operation mode	SC, BR: 00 SE: 01	
01 Activate pushbutton operation mode					
E1	Soft START and Soft STOP	min. 0 max. 9	00 Set Soft START value	SC, BR: 00 SE: 05	11A
			01 Set ramp value for slowing down (Soft STOP)	SC, SE: 00 BR: 05	
E2	Courtesy light time	min. 0 max. 99	Courtesy light time adjustment	SC, BR, SE: 03	11B
E3	Follow me	min. 0 max. 9	00 Deactivates follow me	SC, BR, SE: 00	11B
			01 Activates follow me		
E5	Electric brake	-	00 Deactivates electronic brake	SC, BR, SE: 00	14B
			01 Activates electronic brake		
E6	Deceleration speed	min. 1 max. 9	Deceleration speed adjustment	SC, BR, SE: 05	12A
E7	Maneuvers counter	-	Shows the number of maneuvers	-	12A
E8	Reset - restore factory values	-	00 Deactivated	SC, BR, SE: 00	12A
			01 Reset activated		
E9	RGB output	-	00 Fixed RGB	SC, SE: 03 BR: 01	12B
			01 Intermittent RGB		
			02 Pre-Flashing loght RGB		
			03 2nd capacitor RGB		

SC: Sliding motor; SE: Sectional motor; BR: Barriers

REMOTE CONTROLS

S0	Programming a remote control for full opening.	6A
S1	Programming a remote control for pedestrian opening.	6A

03. PROGRAMMING "P"

P0 AUTOMATIC AND SEMI-AUTOMATIC COURSE PROGRAMMING

P0	This menu allows automatic programming of the motor and deceleration.
	During automatic programming, the motor will perform the following maneuvers:
	10 Slowly close the gate until it reaches the end of the closing course.
	20 Slowly opens for aabout 10 seconds.
	30 Slowly closes until it reaches the limit switch.
40 The gate opens at normal speed until it reaches the opening limit switch.	
50 The gate closes at normal speed until it reaches the closing limit switch.	

!	Steps 2 and 3 are only made if P2-Fd is set to a value equal to or greater than 1. If P2-Fd is set to 0 (zero), you will only do steps 1, 4, and 5.
---	---

- 01 • Press MENU for 3 seconds.
- 02 • P0 appears. Press MENU for 1 second.
- 03 • AU appears. Press MENU for 1 second to start automatic programming.
- 04 • When programming is complete, the display returns to the initial state (--).

P1	This menu allows you to program the motor's working time in a semi-automatic way, manually defining the decelerations.
	To do this, press MENU at the moment you want to START the slowdown (idling), both in the opening and closing phases.

!	If you do not press MENU at any time, an automatic programming will be performed without any deceleration.
	This programming can be done without limit switches, but it is mandatory to press MENU whenever the door reaches the end of each course.

- 01 • Press MENU for 3 seconds.
- 02 • P0 appears. Press MENU for 1 second.
- 03 • AU appears. Press ↑ 1 time to show MA.
- 04 • When MA appears, press MENU for 1 second. The motor will start a slow closing of the door.
- 05 • When it reach the closing limit switch, it will open automatically.
- 06 • Press MENU when you want to start the opening deceleration.
- 07 • When you reach the limit switch, it will automatically close.
- 08 • Press MENU when you want to start the closing deceleration.

S4	This menu allows you to select the type of automation to be used: 50 sliding gate, 51 sectional door, 60 barriers.
----	--

- 01 • Press MENU for 3 seconds.
- 02 • P0 appears. Press ↓ 1 second.
- 03 • AU appears. Press ↑ 2 twice to show SY.
- 04 • When SY appears, press MENU.
- 05 • Select the type of engine you want and press MENU to confirm.

03. PROGRAMMING "P"

P0 AUTOMATIC AND SEMI-AUTOMATIC COURSE PROGRAMMING

88

With this menu you can change the direction of the motor's movement, without change the connection of the motor wires and limit switches.

- EE • To change the motor's movement direction
- PE • To restore standard motor movement

P8 SETTING THE DECELERATION TIME

8A

It allows to define the slowdown time in the opening phase.

Factory values
SC: 03; BR: 04; SE: 02

8E

It allows defining the slowdown time in the closing phase.

Factory values
SC: 03; BR: 06; SE: 04



When the deceleration is not used, you should adjust the limit switches to be activated slightly before the intended location. This will ensure that the gate does not exceed the stopping point due to movement inertia, which could cause it to get stuck.

- 01 • Press MENU for 3 seconds.
- 02 • P0 appears. Press ↓ 1 once.
- 03 • P1 appears. Press MENU for 1 second.
- 04 • tP appears. Press MENU for 1 second.
- 05 • dA appears. Press MENU for 1 second.
- 06 • Appears the time defined from factory. If you want, change the time from 1 to 45 sec. using ↓ ↑.
- 07 • Press MENU for 1 second, to save the defined time. dF appears. Press MENU for 1 second.
- 08 • Appears the time defined from factory. If you want, change the time from 1 to 45 sec. using ↓ ↑.
- 09 • Press MENU to save the chosen time. P2 appears. To program P2, continue in step 3 from P2 menu (page 8). To exit the programming press ↓ ↑ simultaneously.

P2 SETTING STRENGTH AND SENSITIVITY

If you set the sensitivity (FS) to a value over 1, the force (FO) is automatically set to 9 without the possibility to change it.

Note: If the control board has very high sensitivity values, will show the error LI. After four attempts, the LI error will turn ER. You will have to wait 10 seconds to return to program the automatism.

8D

It allows to regulate the motor's operation force when opening and closing.

Factory values
SC, BR, SE: 09

03. PROGRAMMING "P"

P2 SETTING STRENGTH AND SENSITIVITY

8S

It allows you to adjust the motor sensitivity in detecting obstacles. The higher the sensitivity the less effort is needed to detect any obstacle and reverse the direction.



If you activate this function, the force is automatically set to 9.

Factory values
SC, BR: 00
SE: 04

8B

It allows you to adjust the sensitivity during the deceleration.

To activate the function, you must make a new programming of the course. This will allow the control board to assume new settings.

Factory values
SC, BR, SE: 00

- 01 • Press MENU for 3 seconds.
- 02 • P0 appears. Press ↓ twice.
- 03 • P2 appears. Press MENU for 1 second.
- 04 • F0 appears. Press MENU for 1 second.
- 05 • Appears the value defined from factory. If you want, change the value from 1 to 9 using ↓ ↑.
- 06 • Press MENU for 1 second, to save the defined value.
- 07 • FS appears. Press MENU for 1 second.
- 08 • Appears the value defined from factory. If you want, change the value from 1 to 9 using ↓ ↑.
- 09 • Press MENU for 1 second, to save the defined value.
- 10 • Fd appears. Press MENU for 1 second.
- 11 • Appears the value defined from factory. If you want, change the value from 1 to 9 using ↓ ↑.
- 12 • Press MENU for 1 second, to save the defined value.
- 13 • P3 appears. To program P3, continue in step 3 from P3 menu (page 8B). To exit the programming press ↓ ↑ simultaneously.

P3 PEDESTRIAN COURSE TIME

8B

It allows the gate to be opened for people to pass through, without it being fully opened, you can program the time you want the gate to open.

Factory values
SC: 10
BR, SE: 00



For pedestrian mode work, the minimum working time must be 1 second, where 0 disables the pedestrian mode.

- 01 • Press MENU for 3 seconds.
- 02 • P0 appears. Press ↓ three times.
- 03 • P3 appears. Press MENU for 1 seconds.
- 04 • Appears the time set from factory. If you want, change time between 1 and 99 sec., using ↓ ↑.
- 05 • Press MENU to save the defined time.
- 06 • P4 appears. To program P4, continue in step 3 from P4 menu (page 9A). To exit the programming press ↓ ↑ simultaneously.

03. PROGRAMMING "P"

P4 PAUSE TIME

AF	Pause time adjustment of the total closure Allows you to set the time that the gate will remain open.	Factory values SC, BR, SE: 00
AP	Pause time adjustment of the pedestrian closure Allows you to set the time that the gate will remain open in pedestrian mode.	



When the values are zero, the automatic closing ceases to exist.

- 01 • Press MENU for 3 seconds.
 - 02 • P0 appears. Press ↓ four times.
 - 03 • P4 appears. Press MENU for 1 second.
 - 04 • AF appears. Press MENU for 1 second.
 - 05 • Appears the time set from factory. If you want, change time between 1 and 99 sec., using ↓ ↑.
 - 06 • Press MENU for 1 second to save the defined time.
 - 07 • AP appears. Press MENU for 1 second.
 - 08 • Appears the time set from factory. If you want, change time between 1 and 99 sec., using ↓ ↑.
 - 09 • Press MENU for 1 second to save the defined time.
 - 10 • P5 appears.
- To program P5, continue in step 3 from P5 menu (page 9A). To exit the programming press ↓ ↑ simultaneously.

P5 PHOTOCELLS PROGRAMMING

BE	00 (disables photocells) 01 (ables photocells) With the photocells activated, when someone interrupts them, the gate reverses the direction set in HC.	Factory values SC, BR, SE: 00
HE	00 (photocells during the closing) 01 (photocells during the opening) This menu can only be changed when the LE menu is active. 00 - photocell only intervenes during closure and reverses in full. 01 - photocell only intervenes in opening and reverses for 2 sec.	

- 01 • Press MENU for 3 seconds.
- 02 • P0 appears. Press ↓ five times.
- 03 • P5 appears. Press MENU for 1 second.
- 04 • HE appears. Press MENU for 1 second.
- 05 • Appears the function set from factory. If you want, change the it between 00 and 01 using ↓ ↑.
- 06 • Press MENU for 1 seconds to confirm the defined function.
- 07 • HC appears. Press MENU for 1 second.

03. PROGRAMMING "P"

P5 PHOTOCELLS PROGRAMMING

- 08 • Appears the function set from factory. If you want, change the it between 00 and 01 using ↓ ↑.
 - 09 • Press MENU for 1 seconds to confirm the defined function.
 - 10 • P6 appears. To program P6, continue in step 3 from P6 menu (page 9B).
- To exit the programming press ↓ ↑ simultaneously.

P6 SAFETY BAND

BA	00 (disables safety band) 01 (activates safety band) O menu permite ativar/desativar o seu funcionamento.	Factory values SC, BR, SE: 00
BB	00 (8k2 input) 01 (NC input) You can only program HA if it has LA enabled (page 9B). Therefore, you can choose safety band with 8k2 resistive type (00) or safety band with normally closed contact, NC (01).	Factory values SC, BR, SE: 01
BB	00 (safety band during closure) 01 (safety band during opening) You can only program HL if it has LA enabled (page 9B) and after choose the type of safety band in HA. In closure (00) the door reverses, in opening (01) reverses only 2 seconds.	Factory values SC, BR, SE: 00
BB	Activate the STOP button Whenever this parameter is selected, it has priority over any other (example: If LA is active, when activating the STOP button, the input becomes STOP).	Factory values SC, BR, SE: 01

- 01 • Press MENU for 3 seconds.
 - 02 • P0 appears. Press ↓ six times.
 - 03 • P6 appears. Press MENU for 1 second.
 - 04 • LA appears. Press MENU for 1 second.
 - 05 • Appears the function set from factory. If you want, change the it between 00 and 01 using ↓ ↑.
 - 06 • Press MENU for 1 second to confirm the defined function.
 - 07 • HA appears. Press MENU for 1 second.
 - 08 • Appears the function set from factory. If you want, change the it between 00 and 01 using ↓ ↑.
 - 09 • Press MENU for 1 second to confirm the defined function.
 - 10 • HL appears. Press MENU for 1 second.
 - 11 • Appears the function set from factory. If you want, change the it between 00 and 01 using ↓ ↑.
 - 12 • Press MENU for 1 second to confirm the defined function.
 - 13 • ST appears. Press MENU for 1 second.
 - 14 • Appears the function set from factory. If you want, change the it between 00 and 01 using ↓ ↑.
 - 15 • Press MENU for 1 second to confirm the defined function.
- P7 appears. To program P7, continue in step 3 from P7 menu (page 10A). To exit the programming press ↓ ↑ simultaneously.

03. PROGRAMMING "P"

P8 OPERATING LOGIC

This menu allows you to set the gate's operating mode.	
00	Functioning in automatic mode 1st impulse - OPENS 2nd impulse - STOPS, TIMER AND CLOSES (if P4>00) 3rd impulse - INVERTS
01	Functioning in step by step mode 1st impulse - OPENS 2nd impulse - STOPS 3rd impulse - CLOSES 4th impulse - STOPS If is fully open and timed, the gate closes
02	Functioning in condominium mode Does not accept orders during opening and pause time, in closure it reverses (either by transmitter or control board start button)
Factory values SC, BR, SE: 02	

- 01 • Press MENU for 3 seconds.
 - 02 • P0 appears. Press ↓ seven times.
 - 03 • P7 appears. Press MENU for 1 second.
 - 04 • Appears the function currently set. If you want, change the function to 00, 01 or 02, using ↓ ↑.
 - 05 • Press MENU to save the defined function.
 - 06 • P8 appears. To program P8, continue in step 3 from P8 menu (page 10A).
- To exit the programming press ↓ ↑ simultaneously.

P8 FLASHING LIGHT

00	Fixed light During the opening/closing movement of the gate, the flashing light will remain lit.
01	Flashing light (opening and closing) During the opening/closing movement, the flashing mode will work intermittently.
02	Courtesy light During the operation, it converts the flashing light output into courtesy light according to the time defined in E2. (page 11B).
03	Electromagnet flashing light Its function is to use an electromagnet in the lock so that it is not possible to open the door or barrier. Whenever it is carrying out a closing maneuver or is closed, it remains with the lamp output activated.
Factory values SC, BR, SE: 00	

03. PROGRAMMING "P"

P8 FLASHING LIGHT

- 01 • Press MENU for 3 seconds.
- 02 • P0 appears. Press ↓ eight times.
- 03 • P8 appears. Press MENU for 1 second.
- 04 • Appears the function currently set. If you want, change the function to 00, 01, 02 or 03, using ↓ ↑.
- 05 • Press MENU to save the defined function.
- 06 • P9 appears. To program P9, continue in step 3 from P9 menu (page 10B). To exit the programming press ↓ ↑ simultaneously.

P9 REMOTE PROGRAMMING

This menu allows you to enable or disable the new transmitters programming without access directly to the control board by using a previously stored transmitter (memorize transmitters page 6A).	
00	Distance PGM OFF
01	Distance PGM ON
Factory values SC, BR, SE: 00	

- 01 • Press MENU for 3 seconds.
- 02 • P0 appears. Press ↓ nine times.
- 03 • P9 appears. Press MENU for 1 second.
- 04 • Appears the function currently set. If you want, change the function to 00 or 01, using ↓ ↑.
- 05 • Press MENU to save the defined function.
- 06 • P1 appears. To exit the programming press ↓ ↑ simultaneously.



Distance programming operation (PGM ON):

Press the keys indicated in the picture at the same time for 10 seconds and the flashing light will start to flash (the display shows the 1st free position). Whenever you memorize a transmitter, the control board will leave the distance programming mode. If you want to program more transmitters, you will need to repeat the process of pressing simultaneously the transmitter buttons for 10 seconds for each new transmitter.


03. PROGRAMMING "E"

E0 PRESENT MAN

	00	Deactivates present man		
HP	01	Ascent and descent in Present Man		Factory values SC, BR, SE: 00
	02	Automatic ascent, descent in Present Man		
PE		LS Button	LO Button	Factory values SC, BR, SE: 01
	01 ACTIVATED	Total Closing	Total Opening	
	00 DEACTIVATED	Pedestrian maneuvers	Total maneuvers	

- 01 • Press MENU for 6 seconds.
- 02 • E0 appears. Press MENU for 1 second.
- 03 • HP appears. Press MENU for 1 second.
- 04 • Appears the function currently set. If you want, change the function to 00, 01 or 02, using ↓ ↑.
- 05 • Press MENU for 1 second to confirm the defined time.
- 06 • PL appears. Press MENU for 1 second.
- 07 • Appears the function currently set. If you want, change the function to 00 or 01, using ↓ ↑.
- 08 • Press MENU for 1 second to confirm the defined function.
- 09 • E1 appears. To program E1, continue in step 3 from E1 menu (page 11A). To exit the programming press ↓ ↑ simultaneously.

E8 SOFT START AND SOFT STOP

This menu allows to set the values to control the motor movement speed at start-up and near of the limit switch.		
EE	SOFT START - when activated, at each start of movement, the control board will control the start of the motor, gradually increasing it in the first second(s) of movement.	Factory values SC, BR: 00 SE: 00
EE	SOFT STOP - when activated, at each start of deceleration there will be a gradual decrease in speed so that the speed change is not sudden.	
	The Soft Start value must be lower than the deceleration value, in order to avoid delays. Enter the P1 menu to set the slowdown values (page 8A).	

- 01 • Press MENU for 6 seconds.
- 02 • E0 appears. Press ↓ once.
- 03 • E1 appears. Press MENU for 1 second.
- 04 • Appears ro or rc. Press MENU once, no parâmetro que deseja.
- 05 • If you want, change the function to 00 or 01, using ↓ ↑.
- 06 • Press MENU to save the defined function.

03. PROGRAMMING "E"

E2 COURTESY LIGHT TIME

This menu allows you to define the time (from 1 to 99 minutes) that the courtesy light stays on after the gate completes the closing manoeuvre. This menu is only available if the Courtesy Light function is active in the P8 menu (see page 10B).	Factory values SC, BR, SE: 03
---	----------------------------------

- 01 • Press MENU for 6 seconds.
- 02 • E0 appears. Press ↓ twice.
- 03 • E2 appears. Press MENU for 1 second.
- 04 • Appears the time set from factory. If you want, change time between 1 and 99 sec., using ↓ ↑.
- 05 • Press MENU to save the defined time.
- 06 • E3 appears. To program E3, continue in step 3 from E3 menu (page 11B). To exit the programming press ↓ ↑ simultaneously.

E3 FOLLOW ME

This menu allows you to activate the option Follow me. With this function activated whenever the photocells detect the passage of a user/obstacle, the control board triggers the closing operation after 3 seconds. To activate Follow me function, P5 have to be set with: HE=01 / HC=00 (see page 11A)	Factory values SC, BR, SE: 00
00 Disabled function Values above 0 activate the function (9 is the maximum value)	

- 01 • Press MENU for 6 seconds.
- 02 • E0 appears. Press ↓ three times.
- 03 • E3 appears. Press MENU for 1 second.
- 04 • Appears the function currently set. If you want, change the function to 00 or 01, using ↓ ↑.
- 05 • Press MENU to save the defined function.
- 06 • E4 appears (is inactive). To advance to the E5 menu press ↓ once. To exit the programming press ↓ ↑ simultaneously.



E4 menu inactive.

E5 ELECTRIC BRAKE

With the electronic brake, whenever the gate stops, or is given an order to reverse the movement, the advance decreases, counteracting the inertia exerted by the gate.	Factory values SC, BR, SE: 00
---	----------------------------------

- 01 • Press MENU for 6 seconds.
- 02 • E0 appears. Press ↓ five times.
- 03 • E5 appears. Press MENU for 1 second.

03. PROGRAMMING "E"

E5 ELECTRIC BRAKE

- 04 • Surge a função definida de fábrica. Se pretender, altere o valor entre 00 e 01, utilizando ↓ ↑.
- 05 • Pressione MENU para guardar o valor definido.
- 06 • Surge E6. Para programar E6 continue no passo 3 do menu E6 (15B). Para sair da programação pressione ↓ ↑ simultaneamente.

E6 DECELERATION SPEED

This menu lets you set the deceleration speed in opening and closing.
The higher the level, the faster is the deceleration.

Factory values
SC, BR, SE: 05

- 01 • Press MENU for 6 seconds.
- 02 • E0 appears. Press ↓ 6 times.
- 03 • E6 appears. Press MENU for 1 second.
- 04 • Appears the value currently set. If you want, change the function to 01 or 09, using ↓ ↑.
- 05 • Press MENU to save the defined value.
- 06 • E7 appears. To program E7, continue in step 3 from E7 menu (page 15B).
To exit the programming press ↓ ↑ simultaneously.

E7 MANEUVERS COUNTER

This menu allows you to check how many complete maneuvers were performed by the control board (complete maneuver it is understood by opening and closing).

⚠ The control board reset does not erase the maneuvers count.

Example: 13456 maneuvers

01 - Hundreds of thousands / 34 - Thousands / 56 - Dozens

- 01 • Press MENU for 6 seconds.
- 02 • E0 appears. Press ↓ seven times.
- 03 • Press MENU for 1 second.
- 04 • Appears the maneuvers counting in the following order (example 130 371):



- 05 • E8 appears. To program E8, continue in step 3 from E8 menu (page 12A).
To exit the programming press ↓ ↑ simultaneously.

E8 RESET - RESTORE FACTORY VALUES

By doing reset, all factory settings will be restored.
Only the maneuvers counter will have the data memorised.

Factory values
SC, BR, SE: 00

03. PROGRAMMING "E"

E8 RESET - RESTORE FACTORY VALUES

- 01 • Press MENU for 6 seconds.
- 02 • E0 appears. Press ↓ eight times.
- 03 • E8 appears. Press MENU for 1 second.
- 04 • Appears the function currently set. If you want to reset, change the function to 01, using ↓ ↑.
- 05 • Press MENU for 1 second to reset.
- 06 • E9 appears. To program E9, continue in step 3 from E9 menu (page 12B). To exit the programming press ↓ ↑ simultaneously.

E9 RGB OUTPUT

This menu allows you to select the functioning mode of the four signs (page 10A).

00	Fixed output	Factory values SC, SE: 03 BR: 01
01	Intermittent output	
02	Flashes green for 3 seconds before each maneuver (exit only)	
03	This function only interferes with the "Y" output (all other outputs work normally), activates the capacitor for 2 seconds at each start (extra module)	

- 01 • Press MENU for 6 seconds.
- 02 • E0 appears. Press ↓ nine times.
- 03 • E9 appears. Press MENU for 1 second.
- 04 • Appears the function currently set. If you want, change the function to 00, 02, 03 or 04 using ↓ ↑.
- 05 • Press MENU for 1 second to save the defined function.
- 06 • E1 appears. To exit the programming press ↓ ↑ simultaneously.

05. DISPLAY

DISPLAY INDICATIONS

MENU	DESCRIPTION	MENU	DESCRIPTION
0R	Motor opening	0E	No limit switches or both limit switches in opening
0B	Motor closing	0R	Safety Band under pressure
0E	In pause time	0S	Pedestrian button being pressed
0R	In pedestrian pause time	00	Start button being pressed
0U	Memory full	0E	Sensibility detection failure
0R	Memory full (pedestrian)	0R	Opening limit switch
0B	Inversion by effort	0E	Closing limit switch
0E	Obstructed photocells		

06. COMPONENTS TEST

CAPACITOR SCHEME

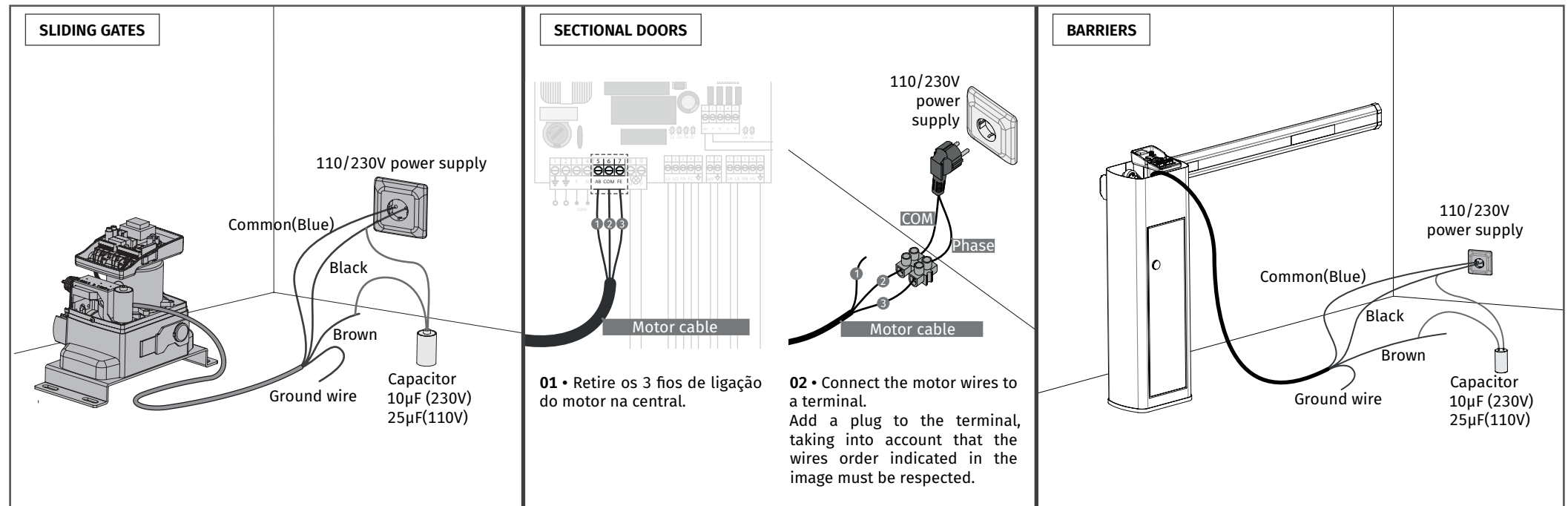
To detect which components have problems during a sliding automatism installation, sometimes it's necessary to conduct tests with a direct connection to a 110/230V power supply. For this, it's necessary to interpose a capacitor on the connection so that the motor can work (check the capacitor type to be used in the product's manual). In the below diagram is shown how this connection must be made and how to merge the different component wires.

NOTES:

- To perform the tests you don't need to remove the automatism from its place, because this way you can understand if the automatism, directly connected to the power, can function correctly.
- The order of capacitor wires linked with the automatism wires are not important, as long as you link, one to the Brown wire and the other to the Black one;
- The common wire of the motor must always be connected to the power supply;
- To reverse the automatism functioning direction, switch the Black wire with the Brown wire of the automatism.



For your safety, do not make any changes to the connections without turning off the power supply.
All tests must be carried out by specialized technicians due to the serious danger related to the misuse of electrical systems!



In the position corresponding to each low voltage command input, the control board has a signaling LED to identify the status. The LED ON indicates that the input is closed, while the LED off indicates that the input is open.

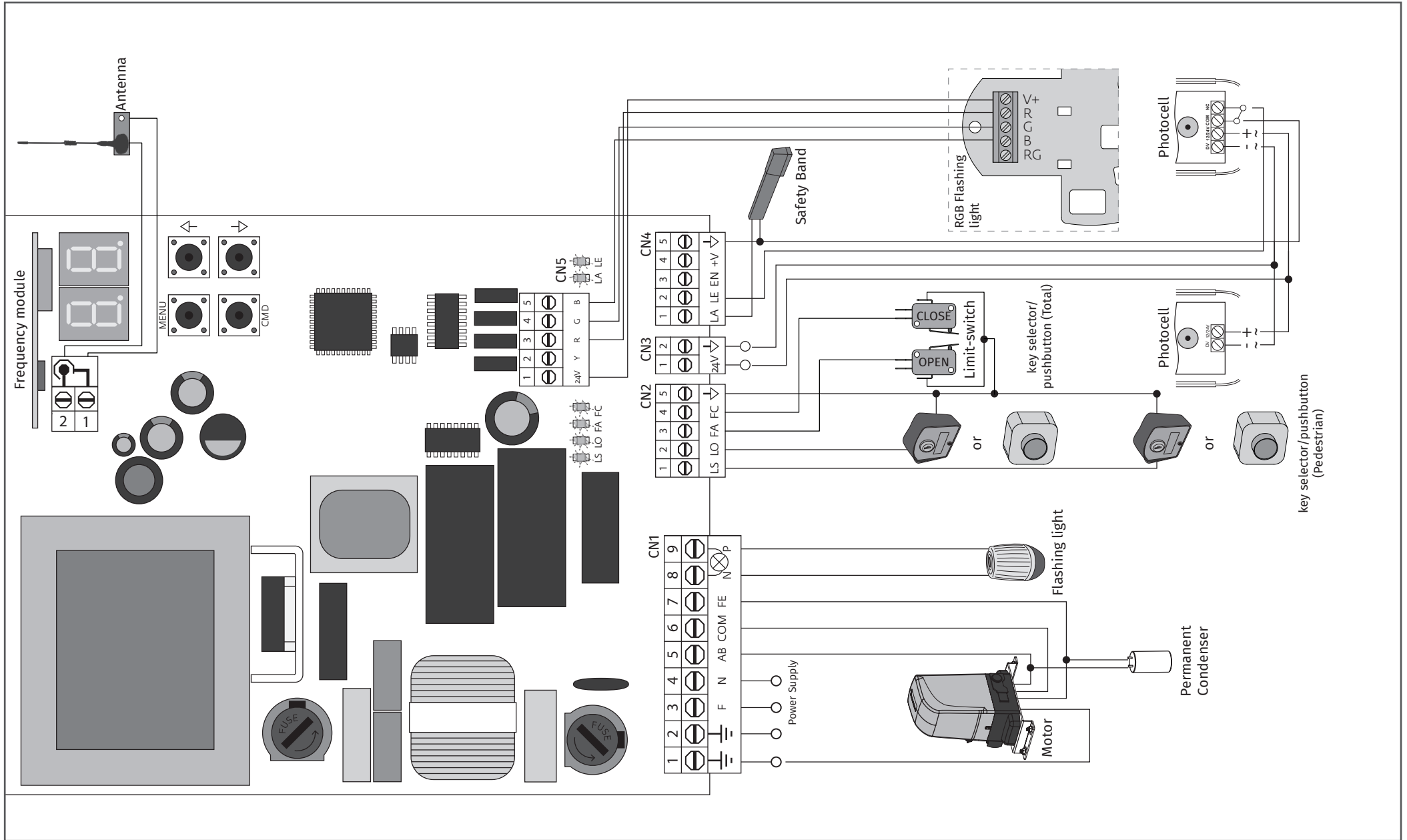
07. TROUBLESHOOTING

INSTRUCTIONS FOR FINAL CONSUMERS/TECHNICIANS

Anomaly	Procedure	Behavior	Procedure II	Discovering the origin of the problem			
• Motor doesn't work	• Make sure you have 110/230V power supply connected to control board and if it is working properly	• Still not working	• Consult a qualified MOTORLINE technician.	<p>1 • Open control box and check if it has 110/230V power supply.</p> <p>2 • Check the control board input fuses.</p>	<p>3 • Switch off the control board from the motor and test it connected directly to an external power supply to find out if it is faulty (see page 13).</p>	<p>4 • If the motor works, the problem is in the central. Remove it and send it to MOTORLINE technical services for diagnosis.</p>	<p>5 • If the motor doesn't work, remove it from the installation site and send it to MOTORLINE technical services for diagnosis.</p>
• Motor doesn't move but makes noise	• Unlock motor and move the gate by hand to check for mechanical problems on the movement.	• Encountered problems?	• Consult a qualified gates technician.	Check all axes and movement systems associated with the gate/barrier and automations	(pins, hinges, etc.) to find out what the problem is.		
		• The gate moves easily?	• Consult a qualified MOTORLINE technician.	<p>1 • Check capacitors, testing operator with new capacitor.</p>	<p>2 • If capacitors are not the problem, disconnect motor from control board and it them by connecting directly to power</p>	<p>supply in order to find out if it has problems (see page 13).</p> <p>3 • If the motor doesn't work</p>	<p>remove them from installation site and send to our MOTORLINE technical services for diagnosis.</p>
• Motor opens but doesn't close	• Unlock motor and move the gate by hand to closed position. Lock motor again and turn of power supply for 5 seconds. Reconnect it and send order to open gate using transmitter.	• The gate moves easily?	<p>1 • Check if there is any obstacle in front of the photocells;</p> <p>2 • Check if any of the control devices (key selector, push button, video intercom, etc.) of the gate are jammed and sending permanent signal to control board;</p> <p>3 • Consult a qualified MOTORLINE</p>	<p>All MOTORLINE control boards have LEDs that allow you to easily conclude which devices are faulty. All safety device (DS) LEDs in normal situations remain lit. All LEDs of "START" circuits in normal situations remain OFF.</p> <p>If the device LEDs are not all on, there is a fault in the security systems (photocells, security bands). If "START" LEDs are ON, there is a command issuing device emitting a permanent signal.</p>	<p>A) SECURITY SYSTEMS:</p> <p>1 • Close with a shunt all safety systems on the control board (check manual of the control board in question). If the automated system starts working normally check for the problematic device.</p> <p>2 • Remove one shunt at a time until you find the malfunction device.</p> <p>3 • Replace it for a functional device and check if the motor works correctly with all the other devices. If you</p>	<p>find another one defective, follow the same steps until you find all the problems.</p> <p>B) START SYSTEMS:</p> <p>1 • Disconnect all wires from START connector (PUL and PED).</p> <p>2 • If the LED turned Off, try reconnecting one device at a time until you find the defective device.</p>	<p>NOTE:</p> <p>In case procedures described in sections A) and B) don't result, remove control board and send to our technical services for diagnosis.</p>
• Motor doesn't make complete route	• Unlock motor and move gate by hand to check for mechanical problems on the gate.	• Encountered problems?	• Consult a qualified gates technician.	Check all axes and movement systems associated with the gate/barrier and automations	(pins, hinges, etc.) to find out what the problem is.		
		• The gate moves easily?	• Consult a qualified MOTORLINE technician.	<p>1 • Check capacitors, testing with new capacitors.</p> <p>2 • If capacitors are not the problem, disconnect the motor from the control board and test the motor directly to the power supply to find out if it is faulty.</p> <p>3 • If the motor doesn't work, remove it from installation site</p>	<p>and send to our MOTORLINE technical services for diagnosis.</p> <p>4 • If L1 appears on the display while the motor is running, it means that the motor has stopped by stress detection. Unlock the motor and move the door manually, checking if there is any blockage to its movement.</p> <p>If the motor moves</p>	<p>normally, you need to adjust the force and sensitivity through the P2 menu.</p> <p>5 • If this doesn't work, remove control board and send it to MOTORLINE technical services.</p>	<p>NOTE:</p> <p>Tuning the force of the control board must be enough to open and close the gate without stopping it, but with a little effort from a person to stop it. In case of failure of the security systems, the gate can never cause physical damage to obstacles (vehicles, people, etc).</p>

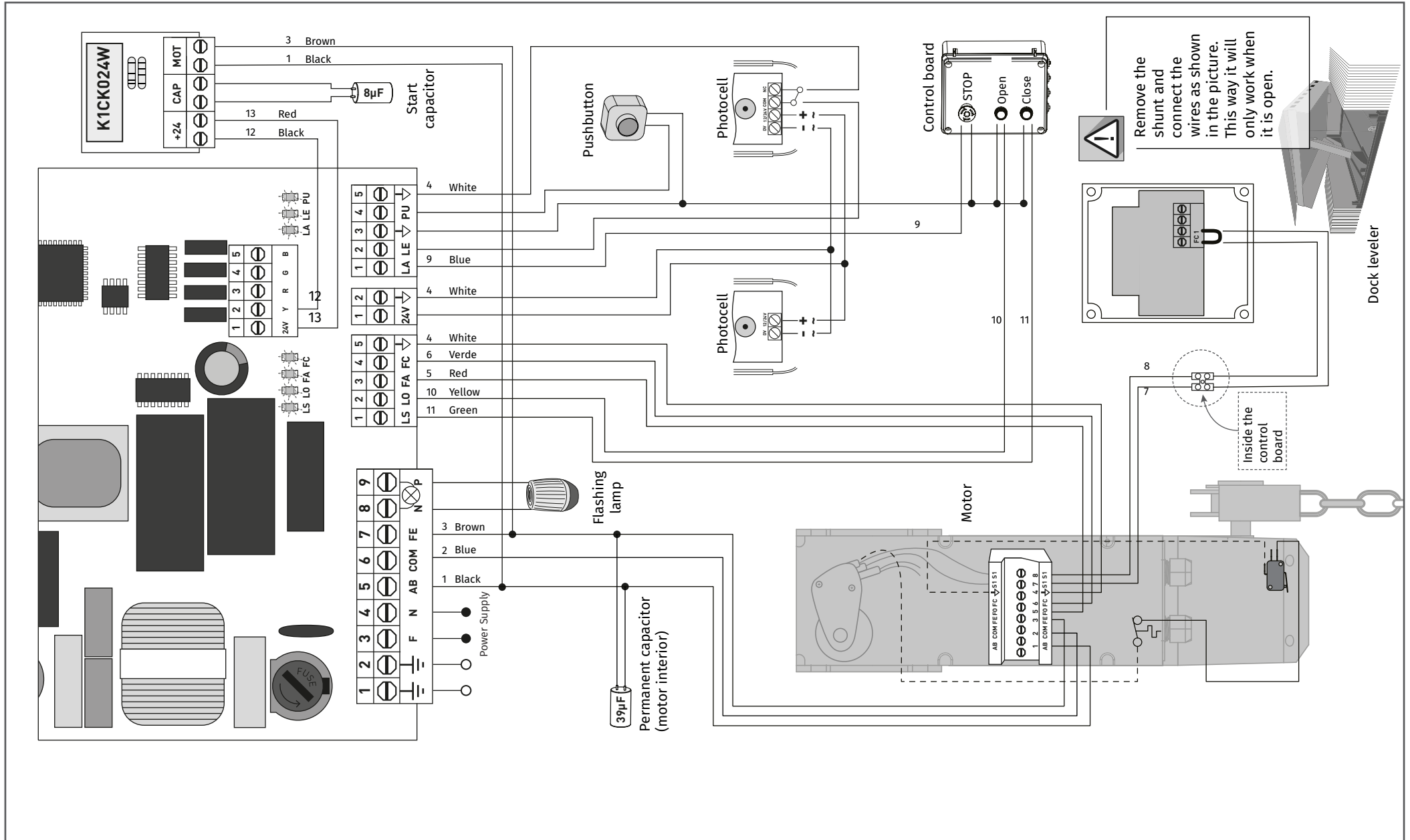
08. CONNECTION SCHEME

CONNECTIONS MAP - SLIDING GATES



08. CONNECTION SCHEME

CONNECTIONS MAP - SECTIONAL DOORS



08. CONNECTION SCHEME

CONNECTIONS MAP - BARRIERS

