



AVX
ADVANCED VX
SERIES

INSTRUCTION MANUAL FOR MODELS:

#91519- Advanced VX Mount
#32054- Advanced VX 6" Newtonian Telescope
#32062- Advanced VX 8" Newtonian Telescope
#22020- Advanced VX 6" Refractor Telescope
#12025- Advanced VX 5" Schmidt-Cassegrain Telescope

#12079- Advanced VX 6" Schmidt-Cassegrain Telescope
#12026- Advanced VX 8" Schmidt-Cassegrain Telescope
#12046- Advanced VX 9.25" Schmidt-Cassegrain Telescope
#12067- Advanced VX 11" Schmidt-Cassegrain Telescope
#12031- Advanced VX 8" EdgeHD Telescope

TABLE OF CONTENTS

Introduction	3
Advanced VX Mount	4
Assembly	5
Computerized Hand Control	10
Object Catalog	14
Slewing to an Object.	14
Advanced VX Main Menu Tree	21
Optical Tube Assemblies	23
Setting up the Refractor	24
Setting up the Newtonian Reflector.	24
Setting up the EdgeHD & Schmidt-Cassegrain Optical Tubes	25
Aligning the Finderscope	27
Polar Aligning the Mount.	27
Appendix A - Advanced VX Mount Technical Specifications	30
Celestron Two Year Limited Warranty	31

Introduction

Congratulations on your purchase of the Celestron Advanced VX telescope mount. The Advanced VX German equatorial mount has been designed with the highest quality materials to ensure stability and durability. All this adds up to a telescope that gives you a lifetime of enjoyment with a minimal amount of maintenance.

Furthermore, the Advanced VX mount is versatile – it will grow with you as your interest grows from astronomical observing to astroimaging.

If you are new to astronomy, you may wish to start off by using the built-in Sky Tour feature, which commands the telescope to find the most interesting objects in the sky and automatically slews to each one. If you are an experienced amateur, you will appreciate the comprehensive database of over 40,000 objects, including customized lists of all the best deep-sky objects, bright double stars and variable stars. No matter your level of experience, Advanced VX will help you and your friends explore the wonders of the universe.

Some of the features of the Advanced VX include:

- High-torque motors for helping to smoothly drive heavier loads
- Permanently Programmable Periodic Error Correction (PEC) to improve your tracking performance
- A dedicated autoguider port for making corrections when astroimaging
- Large, easy to access polar alignment knobs for quick and sure movements
- Ergonomic design that disassembles into compact and portable pieces
- Database filter limits for creating custom object lists
- Storage for programmable user defined objects
- Many other high performance features!

The Advanced VX mount is one of the most sophisticated and easy to use telescopes available on the market today.

Take time to read through this manual before embarking on your journey through the universe. It may take a few observing sessions to become familiar with your telescope, so you should keep this manual handy until you have fully mastered your telescope's operation. The hand control has built-in instructions to guide you through all the alignment procedures needed to have the telescope up and running in minutes. Use this manual in conjunction with the on-screen instructions provided by the hand control. The manual gives detailed information regarding each step as well as needed reference material and helpful hints guaranteed to make your observing experience as simple and pleasurable as possible.

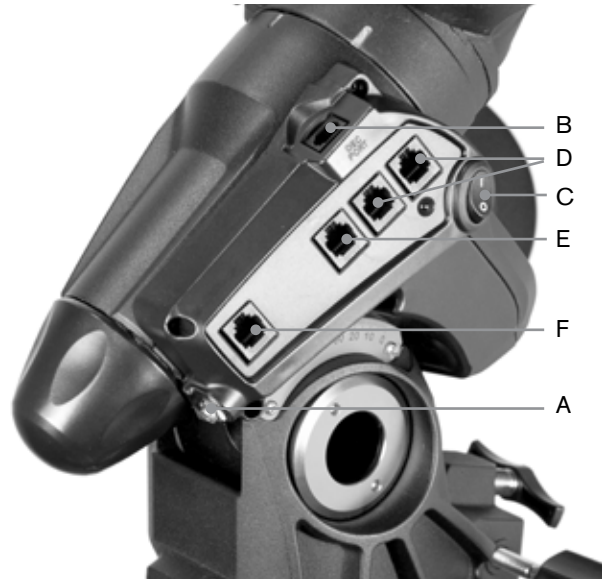
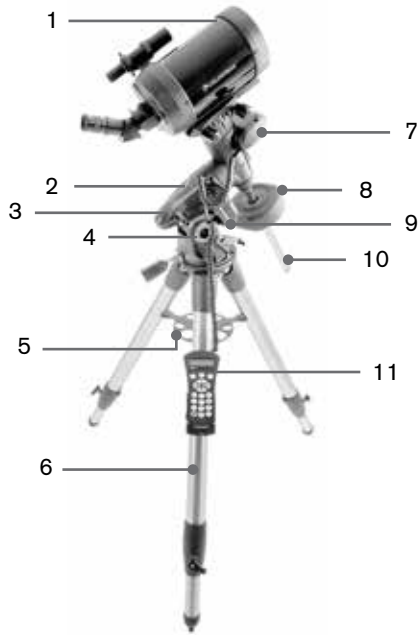
Your telescope is designed to give you years of fun and rewarding observations. However, there are a few things to consider before using your telescope that will ensure your safety and protect your equipment.



Warning

- Never look directly at the Sun with the naked eye or with a telescope (unless you have the proper solar filter). Permanent and irreversible eye damage may result.
- Never use your telescope to project an image of the Sun onto any surface. Internal heat build-up can damage the telescope and any accessories attached to it.
- Never use an eyepiece solar filter or a Herschel wedge. Internal heat build-up inside the telescope can cause these devices to crack or break, allowing unfiltered sunlight to pass through to the eye.
- Never leave the telescope unsupervised. Make sure an adult who is familiar with the correct operating procedures is with your telescope at all times, especially when children are present.

Advanced VX Mount (Advanced VX with 5" Schmidt-Cassegrain Optical Tube Shown)



1	Optical Tube
2	Control Panel
3	Advanced VX Equatorial Mount
4	Latitude Adjustment Scale
5	Tripod Center Leg Brace/Accessory Tray
6	Tripod
7	Dec Motor Housing
8	Counterweight
9	R.A. Motor Housing
10	Counterweight Bar
11	Hand Control

	CONTROL PANEL
A	Power Port
B	DEC Motor Port
C	Power Switch
D	Auxiliary Ports
E	Hand Control Port
F	Auto Guider Port

Assembly

This section covers the assembly instructions for your Celestron Advanced VX mount. Your mount should come with all of the following:

- Equatorial head
- Tripod
- Accessory tray
- Counterweight bar with locking nut
- Azimuth adjustment screws (x2)
- Hand control
- Hand control holder (2 pieces)
- Declination motor cable
- Car battery adapter cable
- Counterweight

If you purchased the Advanced VX mount by itself, you should receive one counterweight in the box. If you purchased an Advanced VX telescope kit, you may receive one or two additional counterweights, depending on the optical tube included in the kit. These counterweights will be packed in separate boxes. More information can be found in the section of the manual concerning the use of your optical tube.

Remove all the pieces from their respective inner boxes and place on a flat, clear work area. A large floor space is ideal. When setting up your Celestron mount, you must start with the tripod and work up from there. These instructions are laid out in the order each task must be performed.

Setting up the Tripod

The Advanced VX tripod comes with an all-metal center leg brace/accessory tray to give rock solid support to the mount.

The tripod comes fully assembled with a metal plate, called the tripod head that holds the legs together at the top. In addition, there is a central rod that extends down from the tripod head that attaches the equatorial mount to the tripod. To set up the tripod:

1. Stand the tripod upright and pull the tripod legs apart until each leg is fully extended. The tripod will now stand by itself.
2. To adjust the height of the legs, loosen the lever found at the bottom of each leg by rotating it counterclockwise.
3. Slide each leg out to the desired length and secure in place by rotating the levers clockwise. Make sure the levers are tight so the legs do not accidentally slide inward when you add weight to the tripod.

Attaching the Azimuth Adjustment Knobs

To ensure safe shipment of your Advanced VX mount, the azimuth adjustment knobs have been removed from the mount and will need to be attached.

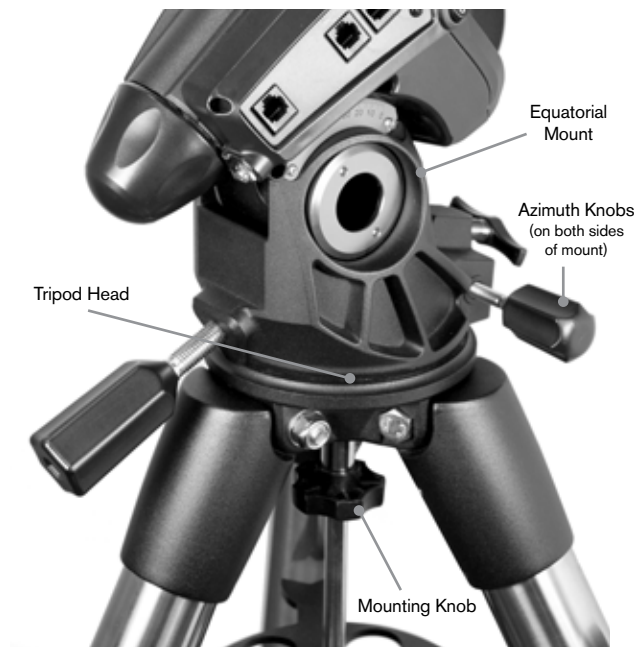
Before securing the mount to the tripod:

1. Locate the Azimuth Adjustment Knobs from the box containing the Advanced VX equatorial head.
2. Thread one knob into each of the holes located on either side of the mount.
3. Only thread the knobs about half way in, leaving enough space for the tripod alignment peg, which will need to fit between the two screw tips.

Attaching the Equatorial Mount

The Advanced VX equatorial mount allows you to tilt the telescope's axis of rotation so that you can track the stars as they move across the sky. On one side of the tripod head is a metal alignment peg for aligning the mount. This side of the tripod will face north when setting up for an astronomical observing session. To attach the equatorial head:

1. Locate the azimuth adjustment screws on the equatorial mount.
2. Retract the azimuth adjustment screws so they no longer extend into the azimuth housing on the mount. **Do NOT remove the screws since they are needed later for polar alignment.**
3. Hold the equatorial mount over the tripod head so the azimuth housing is above the metal peg.
4. Place the equatorial mount on the tripod head so that the two are flush.
5. Push the knob located on the central rod on the underside of the tripod head upward and turn it clockwise to hold the equatorial mount firmly in place.



Your Advanced VX tripod comes with the alignment peg installed so the polar axis and counterweight bar extends between two tripod legs. If you wish, you can reposition the alignment peg so the counterweight bar extends directly over a tripod leg. This is a matter of personal preference and does not affect the stability of the mount. Observers at lower latitudes will prefer to leave the alignment peg between two legs to avoid the counterweight from making contact with the tripod leg when the counterweight is in the lowest part of its swing. To change the position of the alignment peg:



1. Use a wrench to hold the alignment peg in place while using another wrench to loosen the locking nut underneath the alignment peg.
2. Once the nut is loose, you can unthread the alignment peg and move it to the threaded hole on the opposite side of the tripod head.
3. Thread the peg in until it stops, and back it off until the flat sides of the alignment peg are square to the tripod.
4. Hold the peg in this position with one wrench while using another wrench to tighten the locking nut against the tripod head.
5. Mount the equatorial head as described above.

Attaching the Accessory Tray

The Advanced VX mount comes with an accessory tray that has holes specially designed for 1.25" and 2" eyepieces. The accessory tray also acts as a tripod leg tensioner to add stability to the mount. To install the tray:

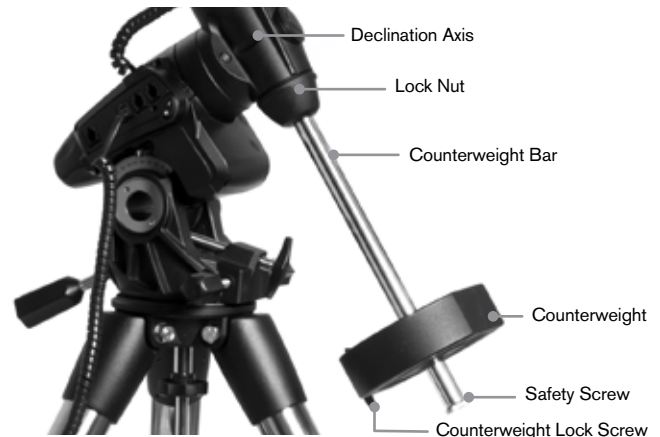
1. Remove the nut and washer from the lower side of the tripod's central rod.
2. Slide the accessory tray over the central rod so that each arm of the tray is pushing against the inside of the tripod legs.
3. Thread the accessory tray knob onto the central rod and tighten.



Installing the Counterweight Bar

To properly balance the telescope, the mount comes with a counterweight bar and at least one counterweight (depending on model). To install the counterweight bar:

1. Locate the counterweight bar and locking nut from the box containing the equatorial head. The locking nut should already be threaded onto the end of the counterweight bar.
2. Locate the opening in the equatorial mount on the declination axis and thread the counterweight bar into the opening until it is tight.
3. Tighten the counterweight bar lock nut fully.



Once the bar is securely in place, you are ready to attach the counterweight.

Observing Tip: Since the fully assembled telescope can be quite heavy, position the mount so that the polar axis is pointing towards north before the optical tube assembly and counterweights are attached. This will make the polar alignment procedure much easier.

Installing the Counterweight

To install the counterweight(s) that were included with your mount or telescope kit:

1. Orient the mount so the counterweight bar points toward the ground.

2. Remove the counterweight safety screw on the bottom end of the counterweight bar by turning it counterclockwise. This screw prevents the counterweight from falling off the mount in the case the counterweight locking screw comes loose.
3. Loosen the locking screw on the side of the counterweight.
4. Slide the counterweight over the counterweight bar and move it about halfway up the bar.
5. Tighten the locking screw on the side of the counterweight to hold it in place.
6. Replace the counterweight safety screw.

Tip: The hole in the center of your counterweight is slightly larger on one side. When you slide the counterweight onto the counterweight bar, make sure that the smaller hole is facing the equatorial head. This allows you to slide the counterweight over the safety screw at the bottom of the counterweight bar in case you need a little bit more adjustment to balance additional accessories mounted on your optical tube. The smaller hole prevents the counterweight from completely sliding over the safety screw.

Attaching the Hand Control Holder

The Advanced VX telescope models come with a hand control holder that attaches to a tripod leg. The hand control holder comes in two pieces: the leg clamp that snaps around the tripod leg and the holder which attaches to the leg clamp. To attach the hand control holder:

1. Place the leg clamp up against one of the tripod legs and press firmly until the clamp wraps around the leg.
2. Slide the back of the hand control holder downward into the channel on the front of the legs clamp until it snaps into place.



Attaching an Optical Tube to the Mount

The telescope attaches to the mount via a dovetail slide bar, which is mounted along the bottom of the telescope tube. Before you attach the optical tube, make sure that the declination and right ascension clutch knobs are tight and the counterweight(s) are securely installed. This will ensure

that the mount does not move suddenly while attaching the telescope. To mount the telescope tube:

1. Loosen the two mounting screws on the side of the telescope mounting platform. This allows you to slide the dovetail bar onto the mount.
2. If your telescope is equipped with one, remove the safety screws located beneath the dovetail bar.
3. Slide the dovetail bar on the telescope tube into the mounting platform of the mount. Slide the telescope so that the back of the dovetail bar is close to the back of the mounting platform.
4. Tighten the mounting screws on the side of the mounting platform to hold the telescope in place.

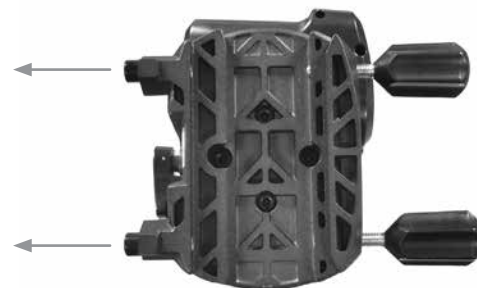
Now that the optical tube is securely in place, the visual accessories can be attached to the telescope. This is covered in detail in the section of this manual dealing with the use of optical tubes.



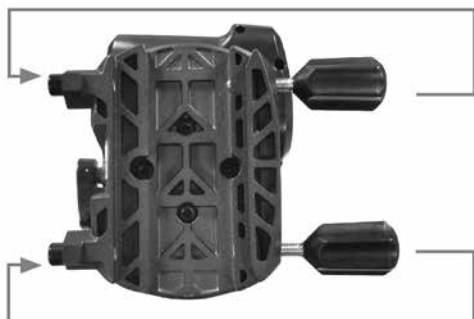
Using the Dual Saddle Plate

Your Advanced VX mount comes with a dual saddle plate, allowing you to use any optical tube using a 1.75" V-plate dovetail bar (Synta, Vixen) or the wider 3" (75mm) D-plate style dovetail bar (CGEM, CGX, CGX-L).

Your Advanced VX mount should already be set up to use the smaller V-plate. To convert the mount for use with the larger D-plate, simply remove the two bolts from the left side of the dovetail saddle using a 6mm Allen-key.



Remove the two hand knobs and transfer them over to the threaded holes you just uncovered.



To keep the empty threads clean, always replace the Allen-key screws into the set of holes you are not using.

Moving the Telescope Manually

In order to properly balance your telescope, you will need to move your telescope manually at various portions of the sky to observe different objects. To make rough adjustments, loosen the R.A. and DEC clutch knobs slightly and move the telescope in the desired direction.

Both the R.A. and DEC axis have lock levers to clutch down each axis of the telescope. To loosen the clutches on the telescope, rotate the lock levers counterclockwise.



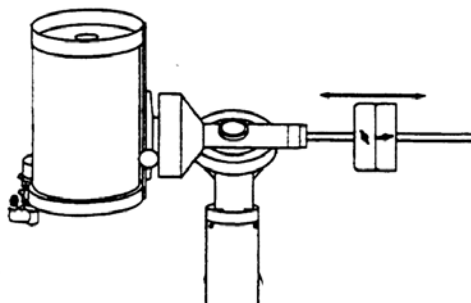
Balancing the Mount in R.A.

To eliminate undue stress on the mount, the telescope should be properly balanced around the polar axis. Proper balancing is crucial for accurate tracking. To balance the mount:

1. Verify that the telescope is securely attached to the telescope mounting platform.
2. Loosen the R.A. lock lever and position the telescope off to one side of the mount. The counterweight bar will extend horizontally on the opposite side of the mount.
3. Release the telescope – **GRADUALLY** – to see which way the telescope “rolls.”
4. Loosen the set screws on the side of the counterweight, so it can be moved the length of the counterweight bar.
5. Move the counterweight to a point where it balances the

telescope (i.e., the telescope remains stationary when the R.A. clutch knobs are loose).

6. Tighten the screw on the counterweight to hold it in place.



Tip: While the above instructions describe a perfect balance arrangement, there should be a **SLIGHT** imbalance to ensure the best possible tracking. When the scope is on the west side of the mount the counterweight should be slightly imbalanced to the counterweight bar side. And when the tube is on the east side of the mount, there should be a slight imbalance toward the telescope side. This is done so that the worm gear is pushing against a slight load. The amount of the imbalance is very slight. When taking astroimages, this balance process can be done for the specific area at which the telescope is pointing to further optimize tracking accuracy.

Balancing the Mount in DEC

Although the mount does not track in declination, the telescope should also be balanced in this axis to prevent any sudden motions when the DEC lock lever is loose. To balance the telescope in DEC:

1. Loosen the R.A. clutch lock lever and rotate the telescope so that it is on one side of the mount (i.e., as described in the previous section on “Balancing the Mount in R.A.”).
2. Tighten the R.A. lock lever to hold the telescope in place.
3. Loosen the DEC clutch lock lever and rotate the telescope until the tube is parallel to the ground.
4. Release the tube – **GRADUALLY** – to see which way it rotates around the declination axis. **DO NOT LET GO OF THE TELESCOPE TUBE COMPLETELY!**
5. Slightly loosen the knobs that hold the telescope to the mounting platform and slide the telescope either forward or backward until it remains stationary when the DEC clutch is loose. Do NOT let go of the telescope tube while the knob on the mounting platform is loose. It may be necessary to rotate the telescope so that the counterweight bar is pointing down before loosening the mounting platform screw.
6. Tighten the knobs on the telescope mounting platform to hold the telescope in place.

Like R.A. balance, these are general balance instructions and will reduce undue stress on the mount. When taking astroimages, this balance process should be done for the specific area at which the telescope is pointing.

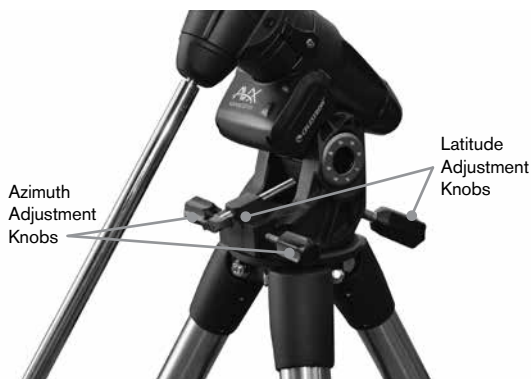
Adjusting the Mount

In order for a motor drive to track accurately, the telescope's axis of rotation must be parallel to the Earth's axis of rotation, a process known as polar alignment. Polar alignment is achieved NOT by moving the telescope in R.A. or DEC but by adjusting the mount vertically, which is called altitude and horizontally, which is called azimuth. This section simply covers the correct movement of the telescope during the polar alignment process. The actual process of polar alignment, or making the telescope's axis of rotation parallel to the Earth's, is described later in this manual in the section on "Polar Alignment."

Adjusting the Mount in Altitude

- To increase the latitude of the polar axis, tighten the rear latitude adjustment screw and loosen the front screw.
- To decrease the latitude of the polar axis, tighten the front latitude adjustment screw (located below the counterweight bar and loosen the rear screw.

The latitude adjustment on the Advanced VX mount has a range from approximately 7° to 77°.



It is best to always make final adjustments in altitude by moving the mount against gravity (i.e., using the rear latitude adjustment screw to raise the mount). To do this, you should loosen both latitude adjustment screws and manually push the front of the mount down as far as it will go. Tighten the rear adjustment screw to raise the mount to the desired latitude.

Adjusting the Mount in Azimuth

For rough adjustments in azimuth, simply pick up the telescope and tripod and move it. For fine adjustments in azimuth:

Turn the azimuth adjustment knobs located on either side of the azimuth housing. While standing behind the telescope, the knobs are on the front of the mount.

- Turning the right adjustment knob clockwise moves the mount toward the right.
- Turning the left adjustment knob clockwise moves the mount to the left.

Both screws push off of the alignment peg on the tripod head, which means you may have to loosen one screw while tightening the other. The screw that holds the equatorial mount to the tripod may have to be loosened slightly.

Keep in mind that adjusting the mount is done during the polar alignment process only. Once polar aligned, the mount must NOT be moved. Pointing the telescope is done by moving the mount in right ascension and declination, as described earlier in this manual.

Attaching the Declination Cable

The Advanced VX mount comes with a cable that connects the electronic control panel to the declination motor. To attach the motor cables:

- Locate the Declination cable and plug one end of the cable into the port on the electronics panel labeled DEC Port.
- Plug the other end of the cable into the port located on the declination motor.

Powering the Telescope

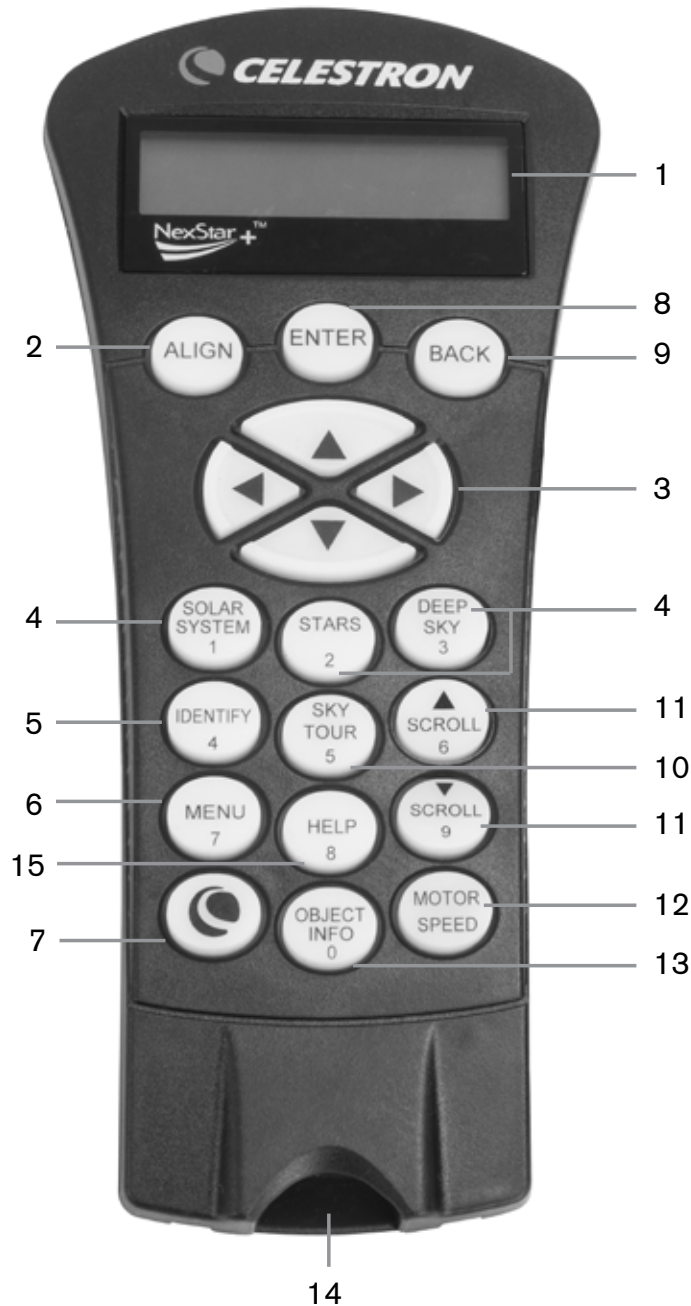
The Advanced VX mount can be powered by the supplied car battery adapter or optional 12V AC adapter. Use only adapters supplied by Celestron. Using any other adapter may damage the electronics and will void your manufacturer's warranty.

1. To power the telescope with the car battery adapter (or 12V AC adapter), simply plug the round post into the 12V outlet on the electronic panel and plug the other end into your car's cigarette lighter outlet or portable power supply.
2. Turn on the power to the telescope by flipping the switch, located on the electronics panel, to the "On" position.

Computerized Hand Control

You have received a newly upgraded NexStar+ hand control with your telescope. The hand control now features a USB connector used for linking to a PC with control software, and to perform firmware updates. This is a drop-in replacement for all existing telescopes that accept the NexStar+ Hand Control with RS-232 Connector.

Update hand control firmware over USB without external power or without connecting to the mount. To update the firmware, simply plug a mini USB cable (not included) from your PC to the port on the bottom of the hand control, and run Celestron Firmware Manager (CFM), available for free from the support section on Celestron.com.



1. **Liquid Crystal Display (LCD) Window:** Has a four-line, 18 character display screen that has red backlighting for comfortable viewing of telescope information and scrolling text.
2. **Align:** Instructs the hand control to begin the process of aligning your telescope.
3. **Direction Keys:** Allows complete control of the Advanced VX mount in any direction. Use the direction keys to center objects in the eyepiece or manually slew telescope.
4. **Catalog Keys:** The Advanced VX has a key on the hand control to allow direct access to each of the main catalogs in its 40,000+ object database. Your mount contains the following catalogs in its database:
 - Solar System – All 7 planets in our Solar System plus the Moon, Sun and Pluto.
 - Stars – Custom lists of all the brightest stars, double stars, variable stars and asterisms.
 - Deep Sky – Custom lists of all the best galaxies, nebulae and clusters as well as the complete Messier and select NGC objects.
5. **Identify:** Searches the Advanced VX databases and displays the name and offset distances to the nearest matching objects.
6. **Menu:** Displays the many setup and utilities functions, such as tracking rate and user defined objects and many others.
7. **Option (Celestron Logo):** Can be used in combination with other keys to access more advanced features and functions.
8. **Enter:** Pressing **ENTER** allows you to select any of the Advanced VX functions, accept entered parameters and slew the telescope to displayed objects.
9. **Back:** Pressing **BACK** will take you out of the current menu and display the previous level of the menu path. Press **BACK** repeatedly to get back to a main menu or use to erase data entered by mistake.
10. **Sky Tour:** Activates the tour mode, which seeks out all the best objects in the sky and automatically slews the Advanced VX to those objects.
11. **Scroll Keys:** Used to scroll up and down within any of the menu lists. A double arrow symbol on the right side of the LCD indicates that the scroll keys can be used to view additional information.
12. **Motor Speed:** Slews the telescope faster or slower when the direction buttons are pressed.
13. **Object Info:** Displays coordinates and useful information about objects selected from the Advanced VX database.
14. **Mini usb port (cable not included):** Links to PC to control telescope with desktop or to perform firmware updates.
15. **Help Menu:** In future firmware updates, this button will offer troubleshooting tips. For your convenience, it currently functions as a shortcut to the Messier Catalog.

Hand Control Operation

This section describes the basic hand control procedures needed to operate all Celestron computerized telescopes. These procedures are grouped into three categories: Alignment, Setup and Utilities. The alignment section reviews the initial telescope alignment as well as finding objects in the sky. The setup section discusses changing parameters such as tracking mode and tracking rate. Finally, the last section reviews all of the utilities functions such as calibrating your mount, polar alignment and backlash compensation.

Alignment Procedures

In order for the telescope to accurately point to objects in the sky, it must first be aligned with known positions (stars) in the sky. With this information, the telescope can create a model of the sky, which it uses to locate any object with known coordinates. There are many ways to align your telescope with the sky depending on what information the user is able to provide:

- **Two Star Align** uses the entered time/location information and allows the user to select which two alignment stars the telescope will automatically slew to.
- **One Star Align** uses the same time/location information but only uses one star for alignment.
- **Solar System Align** will display a list of visible daytime objects (planets and the Moon) available to align the telescope.
- **Quick-Align** will ask you to input all the same information as you would for the Two Star Align procedure. However, instead of slewing to the alignment stars for centering and alignment, the telescope bypasses this step and simply models the sky based on the information given.
- **Last Alignment** restores your last saved star alignment and switch position. Last Alignment also serves as a good safeguard in case the telescope should lose power.

Startup Procedure

Before any of the described alignments are performed, the Advanced VX mount needs to be positioned so that the index marks are aligned on both the right ascension and declination axes. Once the index position has been set, the hand control will display the last entered date and time information stored in the hand control.

1. Press **ENTER** to begin the alignment process.
2. The hand control will prompt the user to set the mount to its index position. Move the telescope mount, either manually or with the hand control, so the index marked in both R.A. and Dec are aligned. Press **ENTER** to continue.
 - The hand control will then display the last entered local time, time zone and date.
 - Use the Up/Down keys (10) to view the current parameters.

- Press ENTER to accept the current parameters.
- Press BACK to enter current date, time and location information into the hand control.

3. The following information will be displayed:

- **Location** – The hand control will display a list of cities to choose from. Choose the city from the database that is closest to your current observing site. The city you choose will be remembered in the hand control's memory so that it will be automatically displayed the next time an alignment is done. Alternatively, if you know the exact longitude and latitude of your observing site, it can be entered directly into the hand control and remembered for future use as well. To choose a location city:

- Use the Up and Down scroll keys to choose between City Database and Custom Site. City Database will allow you to select the closest city to your observing site from a list of either international or U.S. location. Custom Site allows you to enter the exact longitude and latitude of your observing site. Select City Database and press ENTER.
- The hand control will allow you to choose from either U.S. or international locations. For a listing of U.S. locations by state and then by city, press ENTER while United States is displayed. For international locations, use the Up or Down scroll key to select International and press ENTER.
- Use the Up and Down Scroll buttons to choose your current state (or country if an International location was selected) from the alphabetical listing and press ENTER.
- Use the Up and Down Scroll buttons to choose the closest city to your location from the displayed list and press ENTER.

- **Time** – Enter the current local time for your area. You can enter either the local time (i.e., 08:00), or you can enter military time (i.e., 20:00).

- Select PM or AM. If military time was entered, the hand control will bypass this step.
- Choose between Standard Time or Daylight Saving Time. Use the Up and Down scroll buttons (10) to toggle between options.
- Select the time zone that you are observing from. Again, use the Up and Down buttons (10) to scroll through the choices. Refer to Time Zone map in Appendix for more information.

- **Date** – Enter the month, day and year of your observing session.

Note: Updating Your Location – Since you may not need to update your observing location as often as the date and time, it is not displayed each time you update the date and time. To update your city, press BACK at any time when updating your date and time. Continue to press BACK to change the state, country or to add longitude/latitude coordinates.

Note: If incorrect information is entered into the hand control, the BACK button acts like a backspace button, allowing the user to re-enter the correct data.

Select one of the alignment methods described below.

Two Star Align

Two-Star Align allows the user to select two stars on which to align the telescope. To align your telescope using the Two-Star Align method:

1. Select Two-Star Align from the alignment choices given. Based on the date and time information entered, the hand control will automatically select and display a bright star that is above the horizon.
 - Press ENTER to select this star as your first alignment star.
 - If for some reason the chosen star is not visible (perhaps behind a tree or building), press BACK to have the hand control automatically select the next brightest star.
 - Or you can use the Up/Down keys to browse the entire Named Star list and select any one of over two hundred alignment stars.
2. Once the telescope is finished slewing to your first alignment star, the display will ask you to use the arrow buttons to align the selected star with the cross hairs in the center of the finderscope. When centered in the finder, press ENTER.

The display will then instruct you to center the star in the field of view of the eyepiece. When the star is entered, press ALIGN to accept this star as your first alignment star.

Important: When moving the telescope, remember to always finish slewing using the UP and RIGHT direction buttons on the hand control to eliminate any mechanical backlash in the gears.

3. After the first alignment star has been entered, the hand control will automatically select a second alignment star and have you repeat this procedure for that star.

When the telescope has been aligned on both stars, the display will ask you if you wish to add additional calibration stars. Calibration stars are used to improve the pointing accuracy of your telescope by compensating for subtle opto-mechanical misalignments between the telescope optics and the mount. Therefore, it is usually a good idea to add at least one additional calibration star to improve the mount's all-sky pointing accuracy.

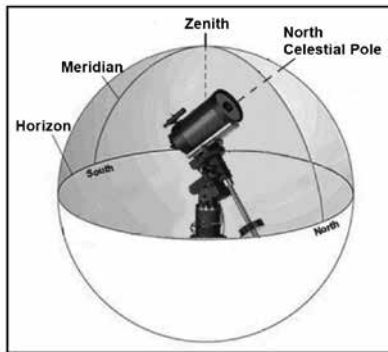
4. Press ENTER to select a calibration star. Select a star the same way you did with the first two alignment stars and press ENTER. You will notice that all the calibration stars displayed are located on the opposite side of the side of the sky (Meridian) as the original alignment stars. This is essential for an accurate calibration of the mount.

Finally, you can choose to continue to add additional calibration stars or Press BACK to complete the alignment.

Note: East/West Filtering – In order to ensure the best possible full-sky pointing accuracy, your computerized mount automatically filters and chooses its initial alignment stars so that the first two alignment stars are located on one side of the Meridian and any calibration stars are on the opposite side of the Meridian, as indicated by the “W” or “E” displayed in the upper-right corner of the LCD. East/West filtering can be changed simply by pressing the MENU button at any time during the alignment process.

Tips for adding calibration stars:

- Although for casual observing it is not necessary to add calibration stars, it is recommended that you add as many as three calibration stars for optimal point accuracy.
- Choosing calibration stars that are near the celestial equator offer better results than stars near the celestial poles.
- Although it is not necessary to use calibration stars if the telescope mount has not been moved since its original alignment/calibration, it may be necessary to recalibrate the telescope if the optical tube has been removed for any reason.



Note: Meridian – The meridian is an imaginary line in the sky that starts at the North celestial pole and ends at the South celestial pole and passes through the zenith. If you are facing south, the meridian starts from your Southern horizon and passes directly overhead to the North celestial pole.

For safety purposes, the Sun will not be displayed in any of the hand control’s customer object lists unless it is enabled from the Utilities Menu. To allow the Sun to be displayed on the hand control, do the following:

1. Press the BACK button until the display reads “Advanced VX Ready”
2. Press the MENU button and use the Up and Down keys to select the Utilities menu. Press ENTER.

3. Use the UP and Down keys to select Sun Menu and press ENTER.
4. Press ENTER again to allow the Sun to appear on the hand control display.

The Sun can be removed from the display by using the same procedure as above.

Tip: To improve the telescope pointing accuracy, you can use the Re-Align feature as described below.

Quick-Align

Quick-Align uses all the date and time information entered at startup to align the telescope. However, instead of slewing to the alignment stars for centering and alignment, the telescope bypasses this step and simply models the sky based on the information given. This will allow you to roughly slew to the coordinates of bright objects like the Moon and planets and provides the telescope with information needed to track objects in any part of the sky (depending on accuracy of polar alignment). Quick-Align is not meant to be used to accurately locate small or faint deep-sky objects or to track objects accurately for astrophotography.

To use Quick-Align, simply select Quick Align from the alignment options and press ENTER. The telescope will automatically use the entered date/time parameters to align itself with the sky and display Alignment Successful.

Note: Once a Quick-Align has been done, you can use the Re-alignment feature (see below) to improve your telescope’s pointing accuracy.

Last Alignment

The Last Alignment method will automatically recall the last stored index positions to continue using the alignment that was saved when the telescope was last powered down. This is a useful feature should your telescope accidentally lose power or be powered down.

Note: Just like with Quick-Align, you can use the Re-alignment feature (see below) to improve your telescope’s pointing accuracy after using the Last Alignment method. To maintain a more accurate alignment over a series of observing sessions, use the Hibernate feature described later in this chapter.

Re-Alignment

The mount has a re-alignment feature that allows you to replace any of the original alignment stars with a new star or celestial object. This can be useful in several situations:

- If you are observing over a period of a few hours, you may notice that your original two alignment stars have drifted towards the west considerably. (Remember that stars are moving at a rate of 15° every hour). Aligning on a new star that is in the eastern part of the sky will improve your pointing accuracy, especially on objects in that part of the sky.

- If you have aligned your telescope using the Quick-Align method, you can use Re-Align to align on actual objects in the sky. This will improve the pointing accuracy of your telescope without having to re-enter additional information.
- If you have used the computer-assisted polar alignment method and have manually moved the mount, it may be necessary to re-align the mount for improved pointing accuracy.

To replace an existing alignment star with a new alignment star:

1. Select the desired star (or object) from the database and slew to it.
2. Carefully center the object in the eyepiece.
3. Once centered, press the **BACK** button until you are at the main menu.
4. With Advanced VX Ready displayed, press the **ALIGN** key on the hand control to select Alignment Stars from the list of options.
5. The display will then ask you which alignment star you want to replace. Use the Up and Down scroll keys to select the alignment star to be replaced. It is usually best to replace the star closest to the new object. This will space out your alignment stars across the sky.
6. Press **ALIGN** to make the change.

Object Catalog

Selecting an Object

Once the telescope is properly aligned, you can choose an object from any of the catalogs in the NexStar+ hand control's database. The hand control has a key designated for each category of objects in its database; Solar System objects, Stars and Deep Sky objects.

- **Solar System** – The Solar System catalog will display all the planets (and Moon) in our Solar System that are currently visible in the sky. To allow the Sun to be displayed as a selectable object in the database, see the Sun Menu option in Scope Setup Menu.
- **Stars** – The Stars catalog displays custom lists of all the brightest stars, double (Binary) stars, variable stars, constellations and selected asterisms.
- **Deep Sky** – The Deep Sky catalog displays a list of all the best galaxies, nebulae and clusters, as well as the complete Messier and select NGC objects. There is also an alphabetical list of all deep sky objects in order by their common name.

Use the scroll keys to scroll through the catalogs to find the object you want to view.

When scrolling through a long list of objects, holding down either the **UP** or **DOWN** key will allow you to scroll through the catalog rapidly.

Slewing to an Object

Once the desired object is displayed on the hand control screen, you have two options:

- **Press the OBJECT INFO Key.** This will give you useful information about the selected object such as magnitude, constellation and extended information about the most popular objects.
 - Use the **UP/DOWN** arrow buttons to scroll through the displayed object info.
 - Use the **BACK** button to return to the object database.
- **Press the ENTER Key.** This will automatically slew the telescope to the coordinates of the object displayed on the hand control. While the telescope is slewing to the object, the user can still access many of the hand control functions (such as displaying information about the object).

NOTE: The Messier, NGC and SAO catalogs require the user to enter a numeric designation. Once you have selected the appropriate catalog button and selected the Messier, NGC or SAO catalog, you will see a flashing cursor indicating you are in numeric entry mode. Enter the catalog number for the object you want to view. Press **ENTER** to command the telescope to slew to the object or hold the **OPTION** button (the Celestron logo) and press **OBJECT INFO** to see information about the object you selected.

Caution: Never slew the telescope when someone is looking into the eyepiece. The telescope can move at fast slew speeds and may hit an observer in the eye.

SkyTour Button

The Advanced VX mount includes a tour feature that allows you to choose from a list of interesting objects based on the date and time in which you are observing. The automatic tour will display only those objects that are within your set catalog filters limits. To activate the Tour feature, press the **SKY TOUR** key on the hand control.

1. Press the **SKY TOUR** button on the hand control.
2. Use the **SCROLL** buttons to select Best of Tonight.
3. The Advanced VX mount will automatically slew in azimuth to its starting position, which will help minimize the chance of wrapping the power cord during the tour.
4. The hand control will display the best objects to observe that are currently in the sky.
 - To see information and data about the displayed object, press the **OBJECT INFO** key. Press it once to display the coordinates of the object. Press it again to display the coordinates of the object. Press it again to display the text description. Press **BACK** to return to the previous screen.

- To slew to the object displayed, press **ENTER**.
- To see the next tour object, press the **DOWN** key.

Identify Button

Pressing the **IDENTIFY** button will search the mount's database catalogs and display the name and angular distances to the nearest matching objects from the telescope's current location. This feature can serve two purposes. First, it can be used to identify an unknown object in the field of view of your eyepiece. Additionally, Identify Mode can be used to find other celestial objects that are close to the objects you are currently observing.

For example, if your telescope is pointed at the brightest star in the constellation Lyra, choosing Identify will no doubt return the star Vega as the star you are observing. However, the Identify feature will also search its NGC and Solar System databases and display any planets or Deep Sky objects that are close by. In this example, the Ring Nebula (M57) would display as being approximately 6° away.

The brightness and proximity of the objects displayed can be defined by the user using the Identify Filter under Telescope Setup.

Direction Buttons

The hand control has four direction buttons in the center of the hand control which control the telescope motion in altitude (up and down) and azimuth (left and right). The telescope can be controlled at nine different speed rates.

1 = 2x	6 = .3° / sec
2 = 4x	7 = 1° / sec
3 = 8x	8 = 2° / sec
4 = 16x	9 = 4° / sec
5 = 32x	

Motor Speed Button

Pressing the **MOTOR SPEED** button (12) allows you to instantly change the speed rate of the motors from high speed slew rate to precise guiding rate or anywhere in between. Each rate corresponds to a number on the hand controller key pad. The number 9 is the fastest rate (approximately 4° per second, depending on power source) and is used for slewing between objects and locating alignment stars. The number 1 on the hand control is the slowest rate (2x sidereal) and can be used for accurate centering of objects in the eyepiece. To change the speed rate of the motors:

- Press the **MOTOR SPEED** key on the hand control. The LCD will display the current speed rate.
- Press the number on the hand control that corresponds to the desired speed.

The hand control has a "double button" feature that allows you to instantly speed up the motors without having to

choose a speed rate. To use this feature, simply press the arrow button that corresponds to the direction that you want to move the telescope. While holding that button down, press the opposite directional button. This will increase the speed to the maximum slew rate.

When using the **UP** and **DOWN** buttons on the hand control, the slower slew rates (6 and lower) move the motors in the opposite direction than the faster slew rates (7- 9). This is done so that an object will move in the appropriate direction when looking into the eyepiece (i.e., pressing the up arrow button will move the star upwards in the field of view of the eyepiece). However, if any of the slower slew rates (rate 6 and below) are used to center an object in the StarPointer, you may need to press the opposite directional button to make the telescope move in the correct direction.

Help Button

In future firmware updates, this button will offer troubleshooting tips. For your convenience, it currently functions as a shortcut to the Messier Catalog.

Menu Button

The Advanced VX mount contains many user-defined setup functions designed to give the user control over the telescopes many features. All of the setup and utility features can be accessed by pressing the **MENU** key and scrolling through the options below.

Tracking Menu

Tracking Mode – This allows you to change the way the telescope tracks depending on the type of mount being used to support the telescope. The telescope has three different tracking modes:

- **EQ North** – Used to track the sky when the telescope is polar aligned in the Northern Hemisphere.
- **EQ South** – Used to track the sky when the telescope is polar aligned in the Southern Hemisphere.
- **Off** – When using the telescope for terrestrial (land) observation, the tracking can be turned off so that the telescope never moves.

Tracking Rate – In addition to being able to move the telescope with the hand control buttons, your telescope will continually track a celestial object as it moves across the night sky. The tracking rate can be changed depending on what type of object is being observed:

- **Sidereal** – This rate compensates for the rotation of the Earth by moving the telescope at the same rate as the rotation of the Earth, but in the opposite direction. When the telescope is polar aligned, this can be accomplished by moving the telescope in right ascension only.
- **Lunar** – Used for tracking the Moon when observing the lunar landscape.
- **Solar** – Used for tracking the Sun when solar observing with the proper filter.

View Time-Site Menu

This menu displays the current time and longitude/latitude downloaded from the optional SkySync GPS receiver. It will also display other relevant time-site information like time zone, Daylight Saving and local sidereal time. Local sidereal time (LST) is useful for knowing the right ascension of celestial objects that are located on the meridian at that time. View Time-Site will always display the last saved time and location entered while it is linking with the GPS. Once current information has been received, it will update the displayed information. If GPS is switched off or not present, the hand control will only display the last saved time and location.

The Hand Control Menu

The "Hand Control" menu allows you to customize certain features of the NexStar+ hand control. To access this menu, press the **MENU** button (#7 on the keypad) and use the scroll buttons to select "Hand Control" and press ENTER. Use the scroll buttons to select from the following options:

- **Lights Control:** Independently adjust the brightness of the number keypad and the LCD.
- **Scrolling Menu:** Adjust how fast words move across the face of the LCD.
- **Toggle Bold Font:** Change the format of the font displayed on the LCD from normal to boldface.
- **Set Contrast:** Use the scroll keys to adjust the contrast of the LCD.
- **Set Language:** Change the displayed language on the LCD.

Note: The Set Language feature may also appear the first time you use your new hand control. You may also initiate it at any time by holding down the Option button (the Celestron logo) for 10 seconds while powering up the telescope.

Scope Setup Menu

Setup Time-Site – Allows the user to customize the telescope's display by changing time and location parameters (such as time zone and Daylight Savings).

Anti-backlash – All mechanical gears have a certain amount of backlash or play between the gears. This play is evident by how long it takes for a star to move in the eyepiece when the hand control arrow buttons are pressed (especially when changing directions). The Advanced VX anti-backlash feature allows the user to compensate for backlash by inputting a value which quickly rewinds the motors just enough to eliminate the play between gears. The amount of compensation needed depends on the slewing rate selected; the slower the slewing rate the longer it will take for the star to appear to move in the eyepiece. There are two values for each axis, positive and negative:

- Positive is the amount of compensation applied when you press the button in order to get the gears moving quickly without a long pause.

- Negative is the amount of compensation applied when you release the button, winding the motors back in the other direction to resume tracking.

Normally, both values should be the same. You will need to experiment with different values (from 0-99); a value between 20 and 50 is usually best for most visual observing, whereas a higher value may be necessary for photographic guiding.

To set the anti-backlash value, scroll down to the anti-backlash option and press ENTER. While viewing an object in the eyepiece, observe the responsiveness of each of the four arrow buttons. Note which directions you see a pause in the star movement after the button has been pressed. Working one axis at a time, adjust the backlash settings high enough to cause immediate movement without resulting in a pronounced jump when pressing or releasing the button. Now, enter the same values for both positive and negative directions. If you notice a jump when releasing the button but setting the values lower results in a pause when pressing the button, use the higher value for positive, but use the lower value for negative. The telescope will remember these values and use them each time it is turned on until they are changed.

Filter Limits – When an alignment is complete, the telescope automatically knows which celestial objects are above the horizon. As a result, when scrolling through the database lists (or selecting the Tour function), the hand control will display only those objects that are known to be above the horizon when you are observing. You can customize the object database by selecting altitude limits that are appropriate for your location and situation. For example, if you are observing from a mountainous location where the horizon is partially obscured, you can set your minimum altitude limit to read +20°. This will make sure that the hand control only displays objects that are higher in altitude than 20°.

Tip: If you want to explore the entire object database, set the maximum altitude limit to 90° and the minimum limit to -90°. This will display every object in the database lists regardless of whether it is visible in the sky from your location.

Direction Buttons – The direction a star appears to move in the eyepiece changes depending on which side of the meridian the telescope tube is on. This can create confusion especially when guiding on a star when doing astromaging. To compensate for this, the direction of the drive control keys can be changed. To reverse the button logic of the hand control, press the MENU button and select Direction Buttons from the Utilities menu. Use the Up/Down arrow keys (10) to select either the azimuth (right ascension) or altitude (declination) button direction and press ENTER. Select either positive or negative for both axes and press ENTER to save. Setting the azimuth button direction to positive will move the telescope in the same direction that the telescope tracks (i.e., towards the west). Setting the altitude buttons to positive will move the telescope counter-clockwise along the DECLINATION axis.

GoTo Approach – Lets the user define the direction that the telescope will approach when slewing to an object. This allows the user the ability to minimize the effects of backlash when slewing from object to object. Just like with Direction Buttons, setting GoTo Approach to positive will make the telescope approach an object from the same direction as tracking (west) for azimuth and counterclockwise in declination. Declination GoTo approach will only apply while the telescope tube is on one side of the meridian. Once the tube passes over to the other side of the meridian, the GoTo approach will need to be reversed.

To change the GoTo approach direction, simply choose GoTo Approach from the Scope Setup menu, select either Altitude or Azimuth approach, choose positive or negative and press ENTER.

Hint: In order to minimize the affect of gear backlash on pointing accuracy, the settings for Button Direction should ideally match the settings for GoTo Approach. By default, using the up and right direction buttons to center alignment stars will automatically eliminate much of the backlash in the gears. If you change the GoTo approach of your telescope, it is not necessary to change the Button Direction as well. Simply take notice of the direction the telescope moves when completing its final GoTo approach. If the telescope approaches its alignment star from the west (negative azimuth) and clockwise (negative altitude) then make sure that the buttons used to center the alignment stars also move the telescope in the same directions.

Autoguide Rate – Allows the user to set an autoguide rate as a percentage of sidereal rate. This is helpful when calibrating your telescope to a CCD autoguider for long exposure astromaging.

OTA Orientation – Some users may wish to use an optional tandem bar adapter which allows you to attach two optical tubes to the mount at the same time. When most tandem bars are attached to a mount, the optical tubes are positioned at a 90° angle from the standard configuration. In order for the mount to be successfully aligned with the stars, it must know that a tandem bar is being used and in which direction the optical tube(s) are positioned (East or West) when beginning an alignment. The tandem option must be set before beginning any of the initial star alignments. To set this option, go to the Scope Setup menu, select the Tandem option and press ENTER. Then select from one of the following options:

- **East** – If the attached optical tubes are facing towards the east when the declination index makers are align, select East.
- **West** – If the attached optical tubes are facing towards the west when the declination index makers are align, select West.
- **Normal** – If the tandem bar is no longer being used, select “normal” to turn off this feature.

Meridian – This feature instructs the mount on how to

respond when it is slewing to objects that are accessible from both sides of the meridian. The meridian feature allows the telescope tube to remain on a desired side of the mount when slewing, and continue to track according to the R.A. slew limits the user has set. See R.A. Limits below. The meridian feature allows for four choices:

- **Favor Current** – Allows the mount to favor whatever side of the mount that it is currently on when slewing to objects close to the meridian. For example, if your R.A. slew limits are set to allow the mount to track 10° past the meridian, then the telescope will continue to stay on its current side of the meridian when slewing to objects that are as far as 10° beyond your Meridian.
- **Favor West** – If the target object is accessible from both sides of the mount, selecting “Favor West” instructs the mount to point to the object as if it were on the west side of the meridian. The optical tube will then be positioned on the east side of the mount and pointing west.
- **Favor East** – If the target object is accessible from both sides of the mount, selecting “Favor East” instructs the mount to point to the object as if it were on the east side of the meridian. The optical tube will then be positioned on the west side of the mount and pointing east.
- **Disable** – This is the default setting, which instructs the mount to always swing around to the other side of the pier as required to view objects on the opposite side of the meridian. However, once at the desired object, the mount will continue to track past the meridian according to the R.A. slew limits that have been set.

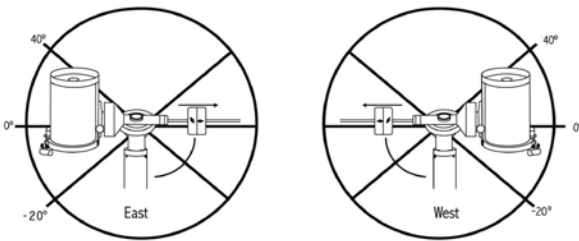
Mount Settings – Once the mount settings have been calibrated (see Utilities section below) the values are stored and displayed in the hand control. It is not recommended that the calibration values be changed. However, each setting can be changed if necessary to improve the performance of the telescope.

- **Cone Value** – This is the cone error value set when Utilities/Calibrate Mount/DEC Switch – Cone is carried out.
- **DEC Index** – This is the declination index error value that is stored when calibration stars are added after your initial star alignment.
- **R.A. Index** – This is the R.A. index error value set when Utilities/Calibrate Mount/R.A. Switch is carried out.

R.A. Limits – Sets the limits that the telescope can slew or track in Right Ascension (R.A.) before stopping. The slew limits are represented in degrees and by default set to 0°, being the position of the telescope when the counterweight bar is extended out horizontally. However, the slew limits can be customized depending on your needs. For example, if you are using CCD imaging equipment that has cables that are not long enough to move with the telescope as it slews across the sky, you can adjust the slew limit on the side of the mount that is restricted by the cables, and command the mount the stop slewing before it reaches this point. Or if you are taking an image of an object that has just crossed the meridian, you can set the limit to allow the mount to continue

tracking in the same direction past the meridian without the need to “flip” the telescope around to the opposite side of the mount (see Meridian feature above). Using the first example above, the user could slew the telescope in R.A. (azimuth) until it reaches the point that the cables are extended to their maximum. Then by displaying the telescope’s azimuth in this position (by looking at Get Axis Position under the Utilities menu), you can determine the telescope’s azimuth at its most extended position. Enter this azimuth reading for either the maximum or minimum azimuth slew limit to ensure that the telescope will not slew beyond this point. The telescope slew limits can be set to automatically stop anywhere between 40° above level to 20° below level. To set the R.A. slew limit select the following:

- **R.A. East Limit** – Enter a number between +40° to -20° to define the slew limit when the tube is on the east side of the mount.
- **R.A. West Limit** – Enter a number between +40° to -20° to define the slew limit when the tube is on the west side of the mount.
- **Disable Limits** – This disables any pre-defined values that have been entered and allows the mount to track the maximum amount past the meridian (i.e., -20° on both sides).



Warning: For the telescope to be able to slew to a star from the direction that minimizes the amount of backlash in the gears, it may be necessary for the telescope to slew beyond the specified slew limit in order to approach the star from the correct direction. This can limit your ability to slew to an object by as much as 6° from the R.A. slew limit set in the hand control. If this proves to be a problem, the direction that the telescope takes to center an object can be changed. To change the telescopes slewing direction, see GoTo Approach under the Scope Setup menu.

Custom Rate 9 – This allows you to customize the speed at which the mount slews to a target. You can set the R.A. and Dec axes individually.

Utilities Menu

Scrolling through the MENU (9) options will also provide access to several advanced utility functions within the telescope such as: Calibrate Mount, Hibernate and many others.

Calibrate Mount – In order to optimize the performance and pointing accuracy of the telescope, the mount has built-in calibration routines allowing it to compensate for mechanical variation inherent in every German equatorial mount. Each calibration is completely automatic and in most cases only needs to be performed once. It is highly recommended that you take a few minutes to go through the mount calibration procedures.

- **R.A. Switch** – This procedure records the offset error when the right ascension index mark is aligned at start-up. Calibrating the R.A. Index will improve the accuracy of your initial star alignments when aligning the telescope in the future.
- **GoTo Calibration** – GoTo Calibration is a useful tool when attaching heavy visual or photographic accessories to the telescope. GoTo Calibration calculates the amount of distance and time it takes for the mount to complete its final slow GoTo when slewing to an object. Changing the balance of the telescope can prolong the time it takes to complete the final slew. GoTo Calibration takes into account any slight imbalances and changes the final GoTo distance to compensate.

Home Position – The telescope’s “home” position is a user-definable position that is used to store the telescope when not in use. The home position is useful when storing the telescope in a permanent observatory facility. By default the Home position is the same as the index position used when aligning the mount.

To set the Home position for your mount, simply use the arrow buttons on the hand control to move the telescope mount to the desired position. Select the Set option and press Enter.

Select the GoTo option to slew the telescope back to the Home position at any time.

Factory Settings – Returns the hand control to its original factory settings. Parameters such as backlash compensation values, initial date and time, longitude/latitude, along with slew and filter limits will be reset. However, stored parameters such as user defined objects will remain saved even when Factory Settings is selected. The hand control will ask you to press the “0” key before returning to the factory default setting.

Version – Selecting this option will allow you to see the current version number of the hand control and motor control. The first set of numbers indicate the hand control software version. For the motor control, the hand control will display two sets of numbers; the first numbers are for azimuth and the second set are for altitude.

Get Axis Position – Displays the relative altitude and azimuth for the current position of the telescope.

GoTo Axis Position – Allows you to enter a specific relative altitude and azimuth position and slew to it.

Hibernate – Hibernate allows the telescope to be completely powered down and still retain its alignment when turned back on. This not only saves power, but is ideal for those that have their telescope permanently mounted or leave their telescope in one location for long periods of time. To place your telescope in Hibernate mode:

1. Select Hibernate from the Utility Menu.
2. Move the telescope to a desired position and press ENTER.
3. Power off the telescope. Remember to never move your telescope manually while in Hibernate mode.

Once the telescope is powered on again, the display will read Wake Up. After pressing Enter, you have the option of scrolling through the time/site information to confirm the current setting. Press ENTER to wake up the telescope.

Hint: Pressing BACK at the Wake Up screen allows you to explore many of the features of the hand control without waking the telescope up from hibernate mode. To wake up the telescope after BACK has been pressed, select Hibernate from the Utility menu and press ENTER. Do not use the direction buttons to move the telescope while in hibernate mode.

Sun Menu

For safety purposes, the Sun will not be displayed as a database object unless it is first enabled. To enable the Sun, go to the Sun Menu and press ENTER. The Sun will now be displayed in the Planets catalog and can be used as an alignment object when using the Solar System Alignment method. To remove the Sun from displaying on the hand control, once again select the Sun Menu from the Utilities Menu and press ENTER.

Set Mount Position

The Set Mount Position menu can be used to maintain your alignment in cases where you wish to disengage the clutches or similar situation. For instance, you might use this feature if you needed to rebalance the mount after having completed an alignment. To set the mount position, simply slew to a bright star in the named star list and select Set Mount Position. The hand control will sync on the star by asking you to center the star in the eyepiece and pressing the Align button. Once synced on the star, you are free to manually move the mount in both axes in order to rebalance. When you are ready to slew the telescope to your next object, just remember to manually return the tube to the same bright star and carefully center it in the eyepiece. Using this tool will invalidate the PEC index.

Turn On/Off GPS – If using your telescope with the optional SkySync GPS accessory, you will need to turn the GPS on the first time you use the accessory. If you want to use the telescope's database to find the coordinates of a celestial object for a future or past dates, you will need to turn the GPS off in order to manually enter a time other than the present.

Turn On/Off RTC – Allows you to turn off the telescope's internal real time clock. When aligning, the telescope still receives time information from the RTC. If you want to use the hand control database to find the coordinates of a celestial object for a future or past dates, you will need to turn the RTC off in order to manually enter a time other than the present.

Periodic Error Correction (PEC) – PEC is designed to improve photographic quality by reducing the amplitude of the worm gear errors and improving the tracking accuracy of the drive. This feature is for advanced astrophotography and is used when your telescope is accurately polar aligned. For more information on using PEC, refer to the section of the manual on "Astroimaging."

User Objects Menu

Your telescope can store up to 400 different user-defined objects in its memory. The objects can be daytime land objects or an interesting celestial object that you discover that is not included in the regular database. There are several ways to save an object to memory depending on what type of object it is:

GoTo Object: To go to any of the user defined-objects stored in the database, scroll down to either "GoTo Sky Obj" or "GoTo Land Obj" and enter the number of the object you wish to select and press ENTER. The telescope will automatically retrieve and display the coordinates before slewing to the object.

Save Sky Object: Your telescope stores celestial objects to its database by saving its right ascension and declination coordinates in the sky. This way the same object can be found each time the telescope is aligned. Once a desired object is centered in the eyepiece, simply scroll to the "Save Sky Obj" command and press ENTER. The display will ask you to enter a number between 1 and 200 to identify the object. Press ENTER again to save this object to the database.

Save Database (Db)

- **Object:** This feature allows you to create your own custom tour of database objects by allowing you to record the current position of the telescope and save the name of the object by selecting it from any one of the database catalogs. These objects then can be accessed by selecting GoTo Sky Object.
- **Enter R.A. - Dec:** You can also store a specific set of coordinates for an object just by entering the R.A. and declination for that object. Scroll to the "Enter RA-DEC" command and press ENTER. The display will then ask you to enter first the R.A. and then the declination of the desired object.
- **Save Land Object:** The telescope can also be used as a spotting scope on terrestrial objects. Fixed land objects can be stored by saving their altitude and azimuth relative to the location of the telescope at the time of observing. Since these objects are relative to the location of the

telescope, they are only valid for that exact location. To save land objects, once again center the desired object in the eyepiece. Scroll down to the "Save Land Obj" command and press ENTER. The display will ask you to enter a number between 1 and 200 to identify the object. Press ENTER again to save this object to the database.

To replace the contents of any of the user defined-objects, simply save a new object using one of the existing identification numbers; the telescope will replace the previous user-defined object with the current one.

Get R.A./DEC - Displays the right ascension and declination for the current position of the telescope.

Goto R.A./Dec - Allows you to input a specific R.A. and declination and slew to it.

Hint: To store a set of coordinates (R.A./Dec) permanently into the database, save it as a User-Defined Object as described above.

Identify

Identify Mode will search any of the mount's database catalogs or lists and display the name and offset distances to the nearest matching objects. This feature can serve two purposes. First, it can be used to identify an unknown object in the field of view of your eyepiece. Additionally, Identify Mode can be used to find other celestial objects that are close to the objects you are currently observing. For example, if your telescope is pointed at the brightest star in the constellation Lyra, choosing Identify and then searching the Named Star catalog will no doubt return the star Vega as the star you are observing. However, by selecting Identify and searching by the Named Object or Messier catalogs, the hand control will let you know that the Ring Nebula (M57) is approximately 6° from your current position. Searching the Double Star catalog will reveal that Epsilon Lyrae is only 1° away from Vega. To use the Identify feature:

- Press the Menu button and select the Identify option.
- Use the Up/Down scroll keys to select the catalog that you would like to search.
- Press ENTER to begin the search.

Note: Some of the databases contain thousands of objects and can therefore take several minutes to return the closest objects.

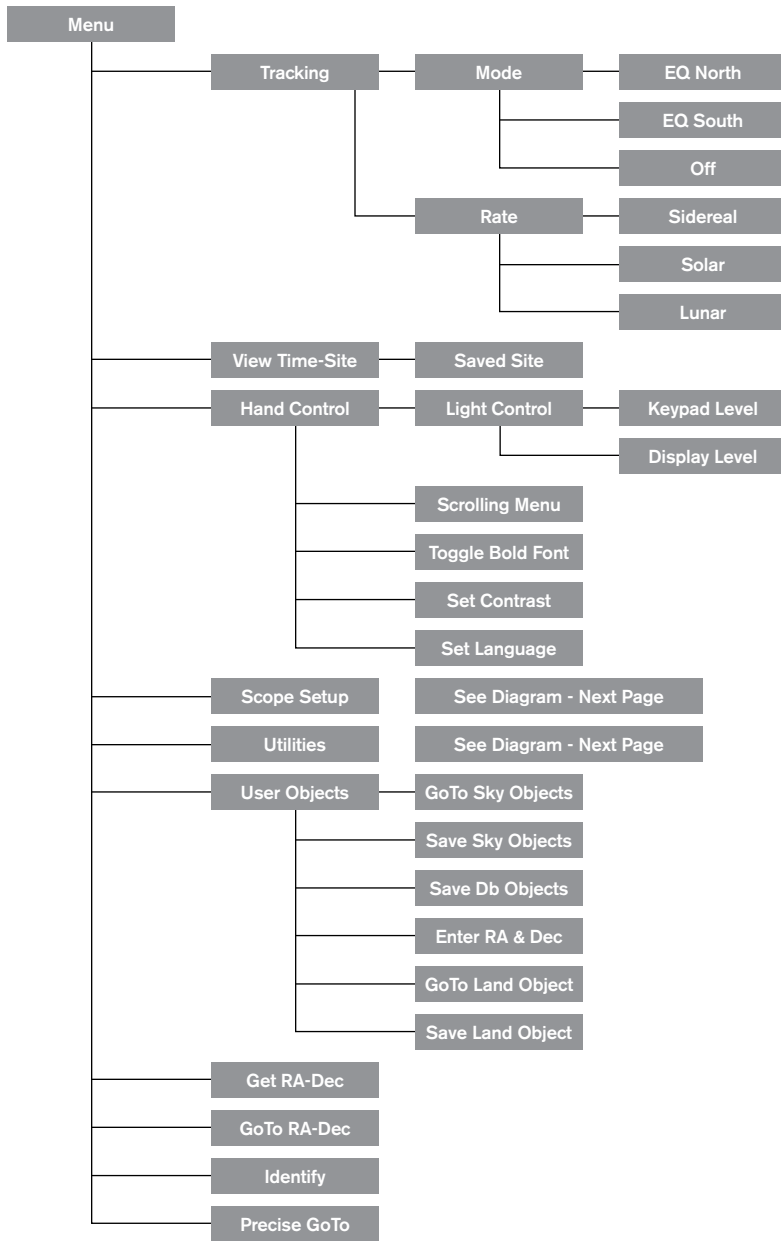
Precise GoTo

The mount has a Precise GoTo function that can assist in finding extremely faint objects and centering objects closer to the center of the field of view for astroimaging. Precise GoTo automatically searches out the closest bright star to the desired object and asks the user to carefully center the star in the eyepiece. The hand control then calculates the small difference between its GoTo position and its centered position. Using this offset, the mount will then slew to the desired object with enhanced accuracy.

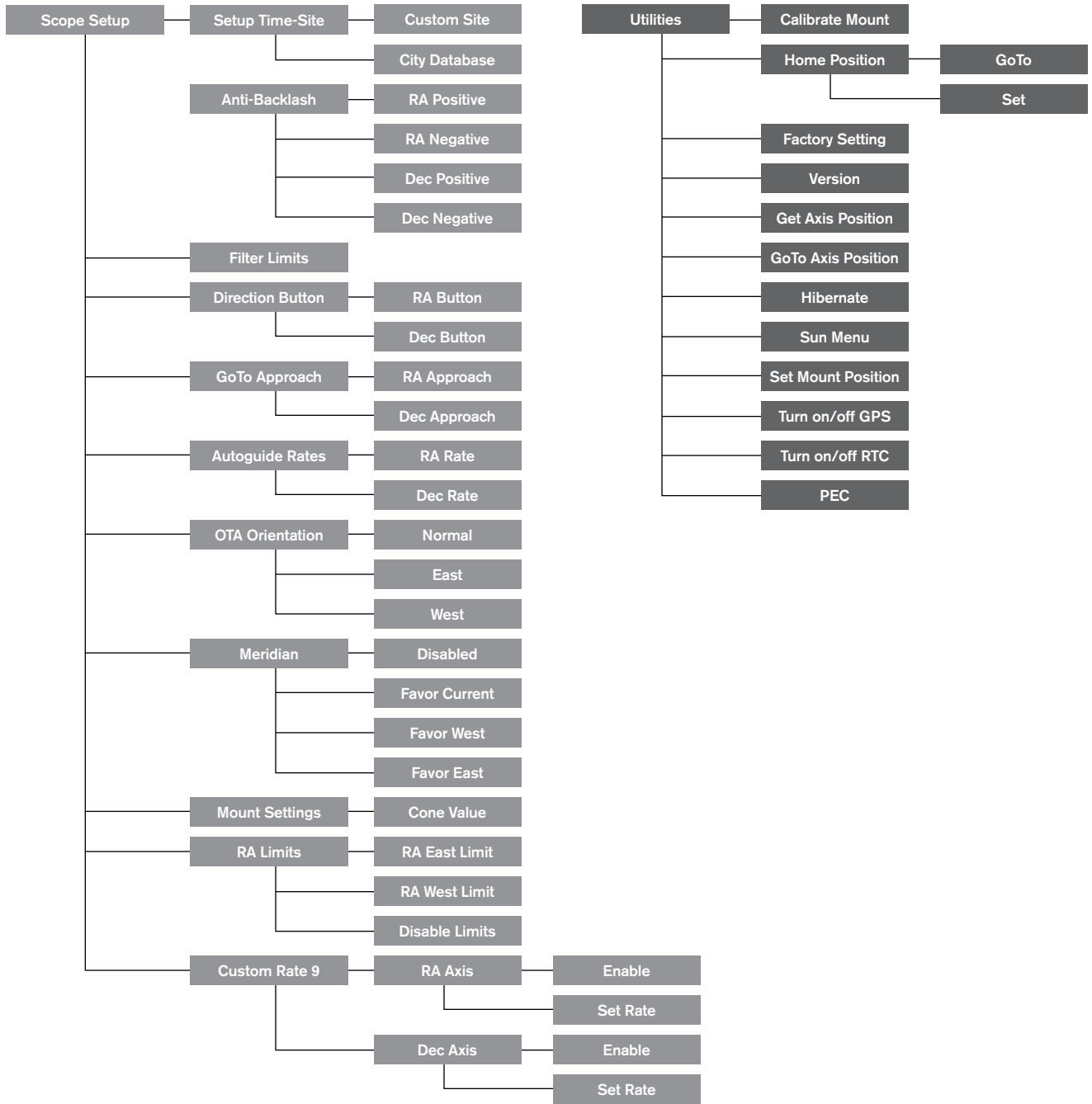
To use Precise GoTo:

1. Press the MENU button and use the Up/Down keys to select Precise GoTo.
 - Choose Database to select the object that you want to observe from any of the database catalogs listed or;
 - Choose R.A./DEC to enter a set of celestial coordinates that you wish to slew to.
2. Once the desired object is selected, the hand control will search out and display the closest bright star to your desired object. Press ENTER to slew to the bright alignment star.
3. Use the direction buttons to carefully center the alignment star in the eyepiece.
4. Press ENTER to slew to the desired object.

Advanced VX Main Menu Tree



Advanced VX Main Menu Tree



Optical Tube Assemblies

Depending on the telescope kit you purchased, you may have received one of the following optical tubes. This section of the manual will walk you through the setup of the basic types.

Kit #	22020	32054	32062	12031
Optical Design	Refractor	Newtonian	Newtonian	Edge HD
Diameter	6" (150mm)	6" (150mm)	8" (200mm)	8" (203mm)
Focal Length	1200mm f/8	750mm f/5	1000mm f/5	2032mm f/10
Eyepiece	20mm (60x) - 1.25"	20mm (38x) - 1.25"	20mm (50x) - 1.25"	40mm (51x) - 1.25"
Finderscope	9x50	6x30	9x50	9x50
Star Diagonal	90° - 1.25"	-	-	90° - 1.25"
Mount	Advanced VX	Advanced VX	Advanced VX	Advanced VX
Tripod	2" Stainless Steel	2" Stainless Steel	2" Stainless Steel	2" Stainless Steel
Counterweights	2x 12 lb	1x 12 lb	2x 12 lb	1x 12 lb
Tube Length	51" (128 cm)	27" (69 cm)	27" (69 cm)	17" (43 cm)
Tube Weight	19 lb	10 lb	14 lb	13 lb

Kit #	12025	12079	12026	12046
Optical Design	Schmidt-Cassegrain	Schmidt-Cassegrain	Schmidt-Cassegrain	Schmidt-Cassegrain
Diameter	5" (125mm)	6" (150mm)	8" (203mm)	9-1/4" (235mm)
Focal Length	1250mm f/10	1500mm f/10	2032mm f/10	2350mm f/10
Eyepiece	25mm (50x) - 1.25"	20mm (75x) - 1.25"	25mm (81x) - 1.25"	25mm (94x) - 1.25"
Finderscope	6x30	6x30	6x30	6x30
Star Diagonal	90° - 1.25"	90° - 1.25"	90° - 1.25"	90° - 1.25"
Mount	Advanced VX	Advanced VX	Advanced VX	Advanced VX
Tripod	2" Stainless Steel	2" Stainless Steel	2" Stainless Steel	2" Stainless Steel
Counterweights	1x 12 lb	1x 12 lb	1x 12 lb	2x 12 lb
Tube Length	13" (33 cm)	16" (40 cm)	17" (43 cm)	22" (56 cm)
Tube Weight	10 lb	10 lb	12 lb	21 lb

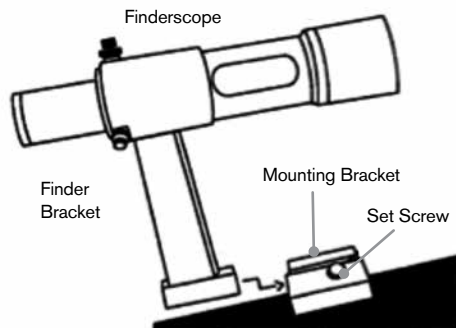
Kit #	12067
Optical Design	Schmidt-Cassegrain
Diameter	11" (280mm)
Focal Length	2800mm f/10
Eyepiece	40mm (70x) - 1.25"
Finderscope	9x50
Star Diagonal	90° - 1.25"
Mount	Advanced VX
Tripod	2" Stainless Steel
Counterweights	3x 12 lb
Tube Length	24" (61 cm)
Tube Weight	28 lb

Setting Up the Refractor (#21020)

Installing the Finderscope

To install the finderscope onto the telescope, you must first mount the finderscope through the finder bracket and then attach it to the telescope. Toward the rear of the telescope tube, near the focusing assembly, there is a small bracket with a set screw in it. This is where the finderscope bracket will be mounted. To install the finderscope:

1. Slide the rubber O-ring over the eyepiece end of the finderscope and roll it 2/3 of the way up the finderscope.
2. Insert the eyepiece end of the finderscope through the bracket until the O-ring presses tightly between the finder and the inside of the bracket.



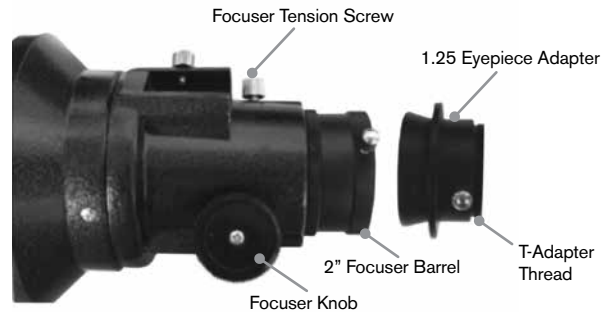
3. Tighten the adjustment screws until they make contact with the finderscope body.
4. Locate the mounting bracket near the rear (open) end of the telescope.
5. Loosen the set screw on the mounting bracket on the telescope.
6. Slide the finder bracket (attached to the finderscope) into the mounting bracket on the telescope.
7. The finderscope bracket will slide in from the back. The finderscope should be oriented so that the objective lens is toward the front (open) end of the telescope.
8. Tighten the set screw on the mounting bracket to hold the finderscope in place.

Installing the Eyepieces

The eyepiece, or ocular as it is also called, is an optical element that magnifies the image focused by the telescope. Without the eyepiece, it would be impossible to use the telescope visually. The eyepiece fits directly into the focuser. To attach an ocular:

1. Loosen the set screw on the eyepiece adapter so that it does not obstruct the inner diameter of the barrel.
2. Slide the chrome portion of the eyepiece into the focuser.

3. Tighten the set screw to hold the eyepiece in place.



To remove the eyepiece, loosen the set screw on the focuser and slide the eyepiece out. You can replace it with another ocular.

Eyepieces are commonly referred to by focal length and barrel diameter. The focal length of each eyepiece is printed on the eyepiece barrel. The longer the focal length (i.e., the larger the number), the lower the eyepiece magnification (i.e., power). The shorter the focal length (i.e., the smaller the number), the higher the eyepiece magnification. Generally, you will use low-to-moderate power when viewing.

Your refracting telescope can use eyepieces with both a 1.25" and 2" barrel diameters. To use a 2" barrel eyepiece, the 1.25" eyepiece adapter must first be removed. To do this, simply loosen the two chrome thumbscrews located around the focuser barrel and remove the 1.25" adapter. Once removed, a 2" eyepiece or accessory can be inserted directly into the focuser barrel and secured with the two thumb screws.

Your telescope comes with a 1.25" star diagonal. This diagonal can be inserted into the end of the 1.25" adapter allowing you to use 1.25" eyepieces at a more comfortable angle when viewing near the zenith.

Setting Up the Newtonian Reflector (#32054 & #32062)

Installing the Finderscope

To install the finderscope onto the telescope you must first mount the finderscope through the finder bracket and then attach it to the telescope. Toward the front of the telescope tube, near the focusing assembly, there is a small bracket with a set screw in it. This is where the finderscope bracket will be mounted. To install the finderscope:

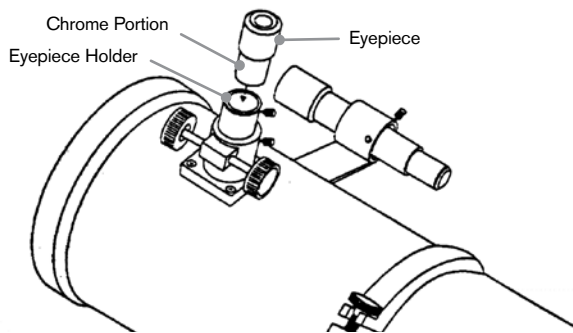
1. Slide the rubber O-ring over the eyepiece end of the finderscope and roll it 2/3 of the way up the finderscope.
2. Insert the eyepiece end of the finderscope through the bracket until the O-ring presses tightly between the finder and the inside of the bracket.
3. Tighten the adjustment screws until they make contact with the finderscope body.

4. Locate the mounting bracket near the front (open) end of the telescope.
5. Loosen the set screw on the mounting bracket on the telescope.
6. Slide the finder bracket (attached to the finderscope) into the mounting bracket on the telescope.
7. The finderscope bracket will slide in from the back. The finderscope should be oriented so that the objective lens is toward the front (open) end of the telescope.
8. Tighten the set screw on the mounting bracket to hold the finderscope in place.

Installing the Eyepieces

The eyepiece, or ocular as it is also called, is an optical element that magnifies the image focused by the telescope. Without the eyepiece, it would be impossible to use the telescope visually. The eyepiece fits directly into the eyepiece holder. To attach an ocular:

1. Loosen the set screw on the eyepieceholder so that it does not obstruct the inner diameter of the eyepiece holder.
2. Slide the chrome portion of the eyepiece into the eyepiece holder.
3. Tighten the set screw to hold the eyepiece in place.



To remove the eyepiece, loosen the setscrew on the eyepiece holder and slide the eyepiece out. You can replace it with another ocular. Eyepieces are commonly referred to by focal length which is printed on the eyepiece barrel. The longer the focal length (i.e., the larger the number), the lower the eyepiece magnification. The shorter the focal length (i.e., the smaller the number), the higher the eyepiece magnification. Generally, you will use low-to-moderate power when viewing.

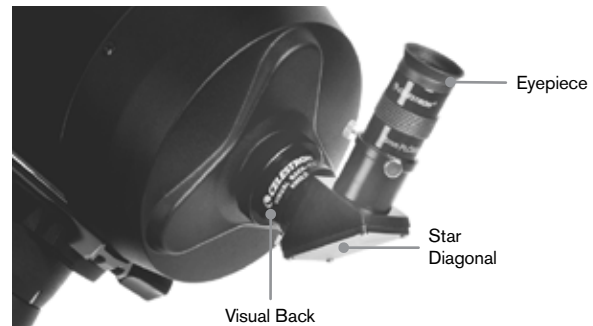
If you have the 8" Newtonian optical tube (#32062), your telescope can use eyepieces with both a 1.25" and 2" barrel diameters. To use a 2" barrel eyepiece, the 1.25" eyepiece adapter must first be removed and replaced with the included 2" eyepiece adapter. To do this, simply loosen the two chrome thumbscrews located around the focuser barrel and remove the 1.25" adapter. Once removed, a 2" eyepiece adapter can be inserted directly into the focuser barrel and secured with the two thumb screws.

Setting up the EdgeHD and Schmidt-Cassegrain Optical Tubes (#12031, #12079, #12025, #12026, #12046 and #12067)

Installing the Star Diagonal

The star diagonal is a prism that diverts the light at a right angle to the light path of the telescope. This allows you to observe in positions that are physically more comfortable than if you looked straight through. To attach the star diagonal onto the optical tube:

1. Turn the set screw on the visual back until its tip no longer extends into (i.e., obstructs) the inner diameter of the visual back.
2. Slide the chrome portion of the star diagonal into the visual back.
3. Tighten the set screw on the visual back to hold the star diagonal in place.



If you wish to change the orientation of the star diagonal, loosen the set screw on the visual back until the star diagonal rotates freely. Rotate the diagonal to the desired position and tighten the set screw.

Installing the Eyepiece

The eyepiece, or ocular, is an optical element that magnifies the image focused by the telescope. The eyepiece fits into either the visual back directly or the star diagonal. To install an eyepiece:

1. Loosen the set screw on the star diagonal until the tip no longer extends into the inner diameter of the eyepiece end of the diagonal.
2. Slide the chrome portion of the eyepiece into the star diagonal.
3. Tighten the set screw on the star diagonal to hold the eyepiece in place.

To remove the eyepiece, loosen the set screw on the star diagonal and slide the eyepiece out. You can replace it with another eyepiece (purchased separately).

Eyepieces are commonly referred to by focal length and barrel diameter. The focal length of each eyepiece is printed on the eyepiece barrel. The longer the focal length (i.e., the

larger the number), the lower the eyepiece magnification. The shorter the focal length (i.e., the smaller the number), the higher the magnification. Generally, you will use low-to-moderate power when viewing. For more information on how to determine power, see the section on “Calculating Magnification.”

Installing the 6x30 Finderscope

The 5", 6", 8" and 9.25" Schmidt Cassegrain telescopes come with 6x30 finderscopes used to help you locate and center objects in the main field of your telescope. To accomplish this, the finder has a built-in cross-hair reticle that shows the optical center of the finderscope. To install the finderscope:

1. Attach the bracket to the optical tube. To do this, place the curved portion of the bracket with the slot over the two holes in the rear cell. The bracket should be oriented so that the rings that hold the finder are over the telescope tube, not the rear cell. Start threading the screws in by hand and tighten fully with a screwdriver.



2. Partially thread-in the three nylon thumbscrews that hold the finder in place inside the bracket. Tighten the screws until the nylon heads are flush with the inner diameter of the bracket ring. Do NOT thread them in completely, or they will interfere with the placement of the finder. (Having the screws in place when the finder is installed will be easier than trying to insert the screws after the finder has been installed).
3. Slide the rubber O-ring over the back of the finder (it will NOT fit over the objective end of the finder). It may need to be stretched a little. Once on the main body of the finder, slide it up about one inch from the end of the finder.
4. Rotate the finder until one cross hair is parallel to the R.A. axis and the other is parallel to the DEC axis.
5. Slide the eyepiece end of the finder into the front of the bracket.
6. Slightly tighten the three nylon thumb screws on the front ring of the bracket to hold the finder in place.
7. Once on, push the finder back until the O-ring is snug inside the back ring of the finder bracket.
8. Hand tighten the three nylon tipped thumb screws until snug.

Installing the 9x50 Finderscope

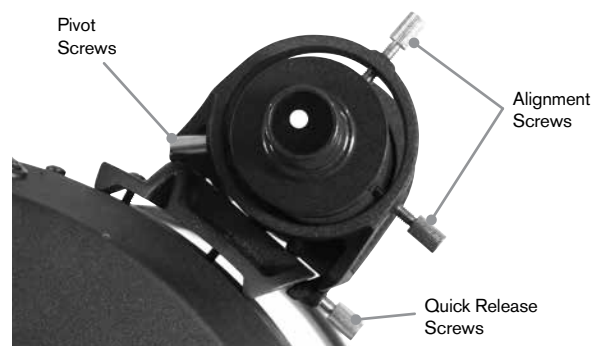
The 8" EdgeHD and the 11" Schmidt-Cassegrain telescopes come with 9x50 finderscopes used to help you locate and center objects in the main field of your telescope. To accomplish this, the finder has a built-in cross-hair reticle that shows the optical center of the finderscope. The finderscope must first be mounted in the included quick-release bracket then attached to the rear cell of the telescope. To install the finderscope:

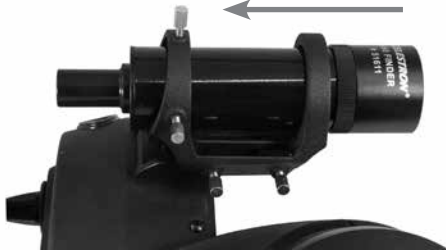
1. Locate the finderscope mounting bracket attached to the bottom portion of the finder bracket. Loosen the two thumb screws to slide the mounting bracket from the finderscope bracket.
2. Find the two holes in the rear cell of the telescope on the top left, when looking from the back of the tube.
3. Place the mounting bracket over the two holes of the rear cell on the optical tube.
4. Insert the screws through the bracket and into the rear cell.

WARNING: If you remove the mounting bracket, do not completely thread the screws back into the rear cell of the telescope. The screws may be long enough to obstruct the movement of, and possibly damage, the primary mirror.

With the bracket firmly attached to the telescope, you are ready to attach the finder to the bracket.

1. Slide the O-Ring over the back of the finderscope and position it on the tube toward the objective end of the finderscope.
2. Slide the eyepiece end of the finderscope into the front ring of the bracket (the front ring is the one without the adjustment screws), then through the back ring. It may be necessary to push down the spring loaded pivot screw so that the finder will pass through the back ring.
3. Push the finder back until the O-Ring is snug inside the front ring of the finder bracket.
4. Hand tighten the two alignment thumb screws until they make contact with the finderscope.





Aligning the Finderscope

The finderscope is adjusted using two adjustment screws, located on the top and on the right (when looking through the finder) of the finder bracket and a spring-loaded pivot screw (located on the left side of the bracket). This allows you to turn the top adjustment screw to move the finderscope up and down, and turn the right adjustment screw to move the finderscope right to left. The spring-loaded pivot screw puts constant pressure on the finder so that the adjustment screws are always making contact with the finder.

To make the alignment process a little easier, you should perform this task in the daytime when it is easier to locate objects in the telescope without the finder.

To align the finder:

1. Choose a conspicuous object that is in excess of one mile away. This will eliminate any possible parallax effect between the telescope and the finder.
2. Point your telescope at the object you selected and center it in the main optics of the telescope.
3. Lock the azimuth and altitude clamps to hold the telescope in place.
4. Check the finder to see where the object is located in the field of view.
5. Adjust the thumb screws on the finder bracket until the cross hairs are centered on the target.

Removing the Lens Cap

The EdgeHD and Schmidt-Cassegrain telescopes utilize a lens cap with a bayonet-type locking mechanism to hold it in place. To remove the lens cap, hold the cover firmly and rotate the outer edge 1/2" counterclockwise and pull off.

Polar Aligning the Mount

Latitude Scales

The easiest way to polar align a telescope is with a latitude scale. Unlike other methods that require you to find the celestial pole by identifying certain stars near it, this method works off of a known constant to determine how high the polar axis should be pointed. The Advanced VX mount can be adjusted from 7 to 77 degrees.

The constant, mentioned above, is a relationship between your latitude and the angular distance the celestial pole is above the northern (or southern) horizon; the angular distance from the northern horizon to the north celestial pole is always equal to your latitude. To illustrate this, imagine that you are standing on the North Pole, latitude +90°. The north celestial pole, which has a declination of +90°, would be directly overhead (i.e., 90° above the horizon). Now, let's say that you move one degree south – your latitude is now +89° and the celestial pole is no longer directly overhead. It has moved one degree closer toward the northern horizon. This means the pole is now 89° above the northern horizon. If you move one degree further south, the same thing happens again. You would have to travel 70 miles north or south to change your latitude by one degree. As you can see from this example, the distance from the northern horizon to the celestial pole is always equal to your latitude.



If you are observing from Los Angeles, which has latitude of 34°, then the celestial pole is 34° above the northern horizon. All a latitude scale does then is to point the polar axis of the telescope at the right elevation above the northern (or southern) horizon.

To align your telescope:

1. Make sure the polar axis of the mount is pointing due north. Use a landmark that you know faces north.
2. Level the tripod. There is a bubble level built into the mount for this purpose.
3. Adjust the mount in altitude until the latitude indicator points to your latitude. Moving the mount affects the angle the polar axis is pointing. For specific information on adjusting the equatorial mount, please see the section "Adjusting the Mount."

This method can be done in daylight, thus eliminating the need to attempt in the dark. Although this method does **NOT** put you directly on the pole, it will limit the number of corrections you will make when tracking an object. It will also be accurate enough for short exposure prime focus planetary imaging (a couple of seconds) and short exposure piggyback astroimaging (a couple of minutes).

Polar Align using the Hand Control

The Advanced VX mount has a polar alignment function called "All-Star" Polar Alignment that will help you polar align your telescope for increased tracking precision and for astroimaging. This feature allows you to choose any bright alignment star to assist in accurately aligning your telescope's mount with the North Celestial Pole. Before using the Polar Align feature, the scope must first be roughly pointed towards north and should be aligned with three stars in the sky. See the "Latitude Scale" section for help with finding north and adjusting the mounts latitude.

Once your telescope is aligned on two stars and at least one additional calibration star, slew the telescope to any bright star in its Named Star database list. For best results, choose a polar alignment star that is high in the sky and near the Meridian. Try to avoid stars that are close to the west/east horizon, directly overhead or too near the celestial pole. Once completed, press the Align button and use the Up/Down buttons on the hand controller to select Polar Align from the list.

Align Mount – After performing a two star alignment with one calibration star and slewing your telescope to any bright star in the telescope's database, select the "Align Mount" option. The telescope will then slew away from and then back to the same star.

1. The hand control will ask you to re-center the star in the finderscope and press ENTER.
2. The hand control will ask you to accurately center the star in your eyepiece and press ALIGN. The telescope will then "sync" on this star and slew to the position that the star should be if it were accurately polar aligned.

Note: For the most accurate alignment, it is best to use a reticle eyepiece or a high power eyepiece to precisely center the star in the field of view.

3. Use the mount's latitude and azimuth adjustments to place the star in the center of the eyepiece. Do not use the direction buttons on the hand control to position the star. Once the star is centered in the eyepiece, press ENTER; the polar axis should now be pointed towards the North Celestial Pole.

Updating your Star Alignment

After polar alignment, it is a good idea to check the pointing accuracy of the telescope to see how much it may have been affected by moving the mount. Since the polar alignment process requires you to "sync" the telescope on a bright star before you begin, it will be necessary to undo the sync before re-aligning. To undo the sync:

- Press the Align button and use the Up/Down buttons on the hand controller to select Undo Sync from the list, and press Enter. The message Complete will display on the LCD.

To re-align your telescope:

1. Slew the telescope to one of the original alignment stars or another bright star if the original alignment stars are no longer in a convenient location. Press the Align button and use the Up/Down buttons on the hand controller to select Alignment Stars from the list.
2. The hand control will ask you which of the original alignment stars you wish to replace. Use the Up/Down buttons to select the desired star and press Enter.
3. Once again, center the star in the finderscope and press Enter.
4. Center the star in the eyepiece and Press Align.
5. Repeat the process on a second alignment star.

For additional all-sky pointing accuracy, it is a good idea to align on at least one additional calibration star located on the opposite side of the Meridian. To add calibration stars:

1. Slew the telescope to a bright star on the opposite side of the Meridian from your two alignment stars.
2. Press the Align button and use the Up/Down buttons on the hand controller to select Calib. Stars from the list, and press Enter.
3. Align the star in the finderscope and then in the eyepiece as you did with the alignment stars.

Display Align – The user can now display the polar alignment error in the RA and DEC axes. These values show how close the mount is pointed at the celestial pole base on how accurately the user centered the alignment star with the hand control and with the mount adjustment. To display the alignment error:

- Press the Align button and use the Up/Down buttons on the hand controller to select Display Align from the list, and press Enter.

Long Exposure Prime Focus Photography

This is the last form of celestial photography to be attempted after others have been mastered. It is intended primarily for deep sky objects, that is, objects outside our solar system including star clusters, nebulae, and galaxies. While it may seem that high magnification is required for these objects, just the opposite is true. Most of these objects cover large angular areas and fit nicely into the prime focus field of your telescope. The brightness of these objects, however, requires long exposure times and, as a result, are rather difficult.

There are several techniques for this type of photography, and the one chosen will determine the standard accessories needed. The best method for long exposure deep sky astrophotography is with an optional off-axis guider.

This device allows you to photograph and guide through the telescope simultaneously. In addition, you will need a T-Ring to attach your camera to the off-axis guider.

Other equipment needs include an autoguider, which is a small camera that attaches to the off-axis guider and keeps your guide star centered while you are imaging with your main camera. Here is a brief summary of the technique.

1. Polar align the telescope. For more information on polar aligning, see the Polar Alignment section earlier in the manual.
2. Remove all visual accessories.
3. Thread the off-axis guider onto your telescope.
4. Thread the T-Ring onto the off-axis guider.
5. Mount your camera body onto the T-Ring the same as you would any other lens.
6. Set the shutter speed to the "B" setting.
7. Focus the telescope on a star.
8. Center your subject in the field of your camera.
9. Using your autoguider, find a suitable guide star in the telescope field. This can be the most time-consuming part of the process.
10. Open the shutter using a cable release.
11. Monitor your guide star for the duration of the exposure using the buttons on the hand controller to make the needed corrections.
12. Close the camera's shutter.

Periodic Error Correction (PEC)

Periodic Error Correction, or PEC for short, is a system that improves the tracking accuracy of the drive by reducing the number of user corrections needed to keep a guide star centered in the eyepiece. PEC is designed to improve imaging quality by reducing the amplitude of the worm errors. Using the PEC function is a three-step process. First, the Advanced VX mount needs to know the current position of its worm gear, so it has a reference when playing back the recorded error. Next, you must guide using an autoguider for at least 10 minutes during which time the system records the correction you make. (It takes the worm gear 10 minutes to make one complete revolution). This "teaches" the PEC chip the characteristics of the worm. The periodic error of the worm gear drive will be stored in the PEC chip and used to correct periodic error. The last step is to play back the corrections you made during the recording phase. Keep in mind, this feature is for advanced astrophotography and still requires careful guiding since all telescope drives have some periodic error.

Using Periodic Error Correction

Once the telescope has been properly polar aligned, select PEC from the Utilities menu and select the Record option. Here's how to use the PEC function:

1. Find a bright star relatively close to the object you want to image.
2. Insert the autoguider into the eyepiece holder of your telescope. Orient the guider so that one axis of the sensor is parallel to the declination axis while the other is parallel to the R.A. axis.
3. Focus the telescope, and study the periodic movement.
4. Plug the autoguider cable into the autoguider port on the mount's electronics panel.
5. To begin recording the drive's periodic error, press the MENU button and select PEC from the Utilities menu. Use the Up/Down scroll buttons to display the Record option and press ENTER. When you are ready to record, press the ENTER button again to begin. You will have 5 seconds before the system starts to record. The first time each observing session that PEC record or play is selected, the worm gear must rotate in order to mark its starting position. If the worm gear rotation moves your guide star outside the field of view of the eyepiece, it will have to be re-centered before the recording begins.

Note: Once the worm gear is indexed, it will not need to be positioned again until the telescope is turned off. To give yourself more time to prepare for guiding, it may be necessary to restart PEC recording after the worm gear has found its index.

6. After 10 minutes, PEC will automatically stop recording.
7. Point the telescope at the object you want to image and center the guide star on the illuminated cross hairs. You are ready to play back the periodic error correction.
8. Once the drive's periodic error has been recorded, use the Playback function to begin playing back the correction for future imaging guiding. If you want to re-record the periodic error, select Record and repeat the recording processes again. The previously recorded information will be replaced with the current information. Repeat steps 7 and 8 to playback the PEC corrections for your next object.

Does the PEC function make unguided astroimaging possible? Yes and no. For solar (filtered), lunar and piggyback (up to 200mm), the answer is yes. However, even with PEC, autoguiding is still mandatory for long exposure, deep sky astroimaging.

Appendix A – Advanced VX Mount Technical Specifications

Payload Capacity (excluding counterweight)	30 lb
Optical Tube Mounting System	Dual Saddle Plate
Computerized Hand Control	NexStar+ hand control with LCD display, 19 fiber-optic backlit LED buttons
Database	40,000+ objects, 100 user-defined programmable objects. Enhanced information on over 200 objects
Slew Speeds	Nine slew speeds, 4 deg/sec maximum
Tracking Modes	EQ North, EQ South, Off
Tracking Rates	Sidereal, Lunar, Solar
Alignment Procedures	2-Star Align, Quick Align, 1-Star Align, Last Alignment, Solar System Align
Motor Type	Low cog DC servo motors with encoders on both axes
Power Requirements	12V DC 3.5A (tip positive)
Latitude Range	7 degrees to 77 degrees
PEC	Yes, Permanently Programmable
GPS	Optional SkySync GPS Accessory
Backlash Compensation	Yes
Internal Real-Time Clock	Yes
Available Ports	2x AUX ports, Autoguider port, RS-232 port (on hand control)
Setting Circles	No
Polar Axis Scope	Optional
Counterweight Shaft Length	12"
Counterweight Shaft Diameter	0.75"
Tripod	Adjustable, Stainless Steel
Tripod Leg Diameter	2.0"
Height Range of Mount	44" to 64"
Weight of Tripod	18 lb
Weight of EQ Head	17 lb
Weight of Counterweight	1x 12 lb
Total Telescope Kit Weight	47 lb

Celestron Two Year Limited Warranty

A. Celestron warrants your product to be free from defects in materials and workmanship for two years. Celestron will repair or replace such product or part thereof which, upon inspection by Celestron, is found to be defective in materials or workmanship. As a condition to the obligation of Celestron to repair or replace such product, the product must be returned to Celestron together with proof-of-purchase satisfactory to Celestron.

B. The Proper Return Authorization Number must be obtained from Celestron in advance of return. Please submit your request to Celestron's online technical support center at <https://www.celestron.com/pages/technical-support> to receive the number to be displayed on the outside of your shipping container.

All returns must be accompanied by a written statement setting forth the name, address, and daytime telephone number of the owner, together with a brief description of any claimed defects. Parts or product for which replacement is made shall become the property of Celestron.

The customer shall be responsible for all costs of transportation and insurance, both to and from the factory of Celestron, and shall be required to prepay such costs.

Celestron shall use reasonable efforts to repair or replace any product covered by this warranty within thirty days of receipt. In the event repair or replacement shall require more than thirty days, Celestron shall notify the customer accordingly. Celestron reserves the right to replace any product which has been discontinued from its product line with a new product of comparable value and function.

This warranty shall be void and of no force of effect in the event a covered product has been modified in design or function, or subjected to abuse, misuse, mishandling or unauthorized repair. Further, product malfunction or deterioration due to normal wear is not covered by this warranty.

CELESTRON DISCLAIMS ANY WARRANTIES, EXPRESSED OR IMPLIED, WHETHER OF MERCHANTABILITY OR FITNESS FOR A PARTICULAR USE, EXCEPT AS EXPRESSLY SET FORTH HEREIN. THE SOLE OBLIGATION OF CELESTRON UNDER THIS LIMITED WARRANTY SHALL BE TO REPAIR OR REPLACE THE COVERED PRODUCT, IN ACCORDANCE WITH THE TERMS SET FORTH HEREIN. CELESTRON EXPRESSLY DISCLAIMS ANY LOST PROFITS, GENERAL, SPECIAL, INDIRECT OR CONSEQUENTIAL DAMAGES WHICH MAY RESULT FROM BREACH OF ANY WARRANTY, OR ARISING OUT OF THE USE OR INABILITY TO USE ANY CELESTRON PRODUCT. ANY WARRANTIES WHICH ARE IMPLIED AND WHICH CANNOT BE DISCLAIMED SHALL BE LIMITED IN DURATION TO A TERM OF TWO YEARS FROM THE DATE OF ORIGINAL RETAIL PURCHASE.

Some states do not allow the exclusion or limitation of incidental or consequential damages or limitation on how long an implied warranty lasts, so the above limitations and exclusions may not apply to you.

This warranty gives you specific legal rights, and you may also have other rights which vary from state to state.

Celestron reserves the right to modify or discontinue, without prior notice to you, any model or style product.

If warranty problems arise or if you need assistance in using your product, please visit Celestron's online technical support center at <https://www.celestron.com/pages/technical-support>.

Note: This warranty is valid to U.S.A. and Canadian customers who have purchased this product from an authorized Celestron dealer in the U.S.A. or Canada. Warranty outside the U.S.A. and Canada is valid only to customers who purchased from a Celestron's International Distributor or Authorized Celestron Dealer in the specific country. Please contact them for any warranty service.



FCC Note: This equipment has been tested and found to comply with the limits for a Class B digital device, pursuant to part 15 of the FCC Rules. These limits are designed to provide reasonable protection against harmful interference in a residential installation. This equipment generates, uses, and can radiate radio frequency energy and, if not installed and used in accordance with the instructions, may cause harmful interference to radio communications. However, there is no guarantee that interference will not occur in a particular installation. If this equipment does cause harmful interference to radio or television reception, which can be determined by turning the equipment off and on, the user is encouraged to try to correct the interference by one or more of the following measures:

- Reorient or relocate the receiving antenna.
- Increase the separation between the equipment and receiver.
- Connect the equipment into an outlet on a circuit different from that to which the receiver is connected.
- Consult the dealer or an experienced radio/TV technician for help.

Product design and specifications are subject to change without prior notification.

This product is designed and intended for use by those 14 years of age and older.

©2019 Celestron • All rights reserved.
[celestron.com/pages/technical-support](https://www.celestron.com/pages/technical-support)
2835 Columbia Street • Torrance, CA 90503 U.S.A.
Printed in China





CELESTRON[®]

AVX
ADVANCED VX
GAMME

MODE D'EMPLOI POUR LES MODÈLES :

#91519- Advanced VX Monture
#32054- Advanced VX 6" Télescope Newtonien
#32062- Advanced VX 8" Télescope Newtonien
#22020- Advanced VX 6" Télescope Réfracteur
#12025- Advanced VX 5" Télescope de Schmidt-Cassegrain

#12079- Advanced VX 6" Télescope de Schmidt-Cassegrain
#12026- Advanced VX 8" Télescope de Schmidt-Cassegrain
#12046- Advanced VX 9.25" Télescope de Schmidt-Cassegrain
#12067- Advanced VX 11" Télescope de Schmidt-Cassegrain
#12031- Advanced VX 8" EdgeHD Télescope

TABLE DES MATIÈRES

Introduction	3
Monture Advanced VX	4
Assemblage	5
Bloc de commande électronique.	10
Catalogue des objets	14
Pivoter vers un objet	14
Arbre du menu principal Advanced VX	21
Assemblage du tube optique.	23
Installation du réfracteur	24
Installation du réflecteur Newtonien.	24
Installation des tubes optiques EdgeHD & Schmidt-Cassegrain	25
Alignement du chercheur	27
Alignement polaire de la monture	27
Annexe A - Caractéristiques techniques de la monture Advanced VX.	30
Garantie Limitée de 2 ans de Celestron	31

Introduction

Félicitations pour votre achat du télescope Celestron Advanced VX. La monture équatoriale allemande Advanced VX a été conçue avec des matériaux de haute qualité afin de garantir sa stabilité et sa durabilité. Tout cela pour que votre télescope vous procure du plaisir toute la vie avec un minimum d'entretien.

En outre, la monture Advanced VX est polyvalente – elle évoluera avec vous pendant que votre intérêt se développe pour l'observation astronomique ou encore l'astro-imagerie.

Si vous êtes un nouveau venu en astronomie, vous pouvez commencer par utiliser la fonction intégrée Sky Tour, laquelle contrôle le télescope afin de trouver les objets célestes les plus intéressants et le fait pivoter automatiquement vers chacun d'eux. Si vous êtes un amateur expérimenté, vous apprécierez la vaste base de données contenant de plus de 40 000 objets, y compris des listes personnalisées de tous les meilleurs objets du ciel profond, des étoiles doubles si brillantes et des étoiles variables. Peu importe votre niveau d'expérience, la série Advanced VX vous aidera, ainsi que vos amis, à découvrir les merveilles de l'univers.

Parmi les caractéristiques du modèle Advanced VX, vous retrouverez :

- Moteurs à couple élevé contribuant à déplacer en douceur des charges plus lourdes
- Correction programmable permanente des erreurs périodiques (acronyme anglais PEC) pour un suivi amélioré
- Un port d'autoguidage dédié pour apporter des corrections lors de l'astro-imagerie
- Molettes d'alignements polaires grandes et faciles d'accès pour des mouvements rapides et sûrs
- Conception ergonomique permettant le désassemblage en pièces compactes et portables
- Limites de filtrage dans une base de données permettant la création de listes d'objets personnalisées
- Stockage des objets programmables et définis par l'utilisateur
- Nombreuses autres caractéristiques de haute performance!

La monture Advanced VX offre aux astronomes amateurs les télescopes les plus sophistiqués et faciles à utiliser qui sont actuellement offerts sur le marché.

Prenez le temps de lire ce manuel avant d'entreprendre votre voyage dans l'univers. Quelques séances d'observation peuvent être nécessaires afin de vous familiariser avec votre télescope, alors vous devriez conserver ce manuel à la portée de la main jusqu'à ce que vous maîtrisiez parfaitement le fonctionnement de votre télescope. La commande manuelle contient des

instructions intégrées pour vous guider à travers toutes les procédures d'alignement nécessaires pour que le télescope soit opérationnel en quelques minutes. Utilisez ce manuel en conjonction avec les instructions à l'écran fournies par la commande manuelle. Le manuel donne des informations détaillées sur chaque étape ainsi que des documents de référence et des conseils pratiques qui rendront vos observations aussi simples et agréables que possible.

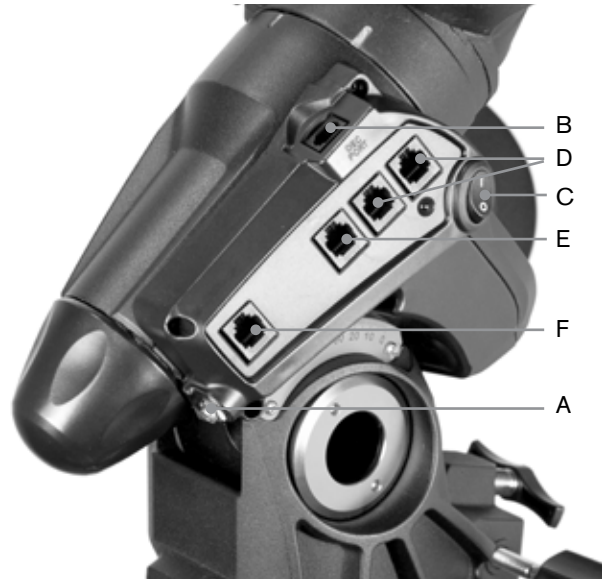
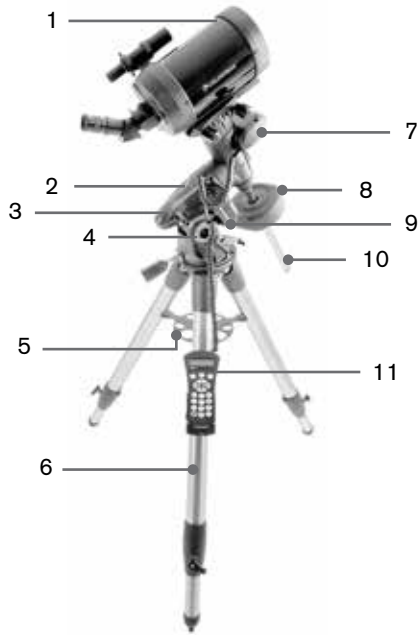
Votre télescope est conçu pour vous donner des années d'observations amusantes et enrichissantes. Cependant, il y a quelques points à considérer avant d'utiliser votre télescope afin d'assurer votre sécurité et la protection de votre équipement.



⚠ Avertissement

- Ne regardez jamais directement le soleil à l'œil nu ou avec un télescope (sauf si vous avez un filtre solaire adapté). Cela pourrait entraîner des lésions oculaires permanentes et irréversibles.
- N'utilisez jamais votre télescope pour projeter une image du soleil sur une surface quelconque. Une accumulation de chaleur interne pourrait endommager le télescope et tout accessoire qui s'y rattache.
- N'utilisez jamais un filtre solaire oculaire ou un prisme (hélioscope) de Herschel. Une accumulation de chaleur à l'intérieur du télescope peut endommager ces dispositifs, laissant alors la lumière non filtrée du soleil atteindre les yeux.
- Ne laissez jamais le télescope sans surveillance. Assurez-vous qu'un adulte connaissant les bonnes procédures d'utilisation soit à côté de votre télescope en tout temps, surtout lorsque des enfants sont présents.

Monture Advanced VX (Advanced VX avec tube optique 5" Schmidt-Cassegrain représenté)



1	Tube optique
2	Panneau de contrôle
3	Monture équatoriale Advanced VX
4	Échelle de réglage de latitude
5	Attache centrale des pieds du trépied / Support à accessoires
6	Trépied
7	Boîtier moteur dec.
8	Contrepoids
9	R.A. (Ascension Droite) Boîtier moteur
10	Barre du contrepoids
11	Commande manuelle

	PANNEAU DE CONTRÔLE
A	Port d'alimentation
B	Alimentation du moteur dec
C	Interrupteur marche/arrêt
D	Ports auxiliaires
E	Port de contrôle manuel
F	Pour du guide auto

Assemblage

Ce chapitre explique comment assembler votre télescope Advanced VX. Votre monture devrait être livrée avec les éléments suivants :

- Tête équatoriale
- Trépied
- Support à accessoires
- Barre du contrepoids avec boulon de verrouillage
- Vis de réglage d'azimut (x2)
- Commande manuelle
- Support pour la commande manuelle (2 pièces)
- Câble du moteur de déclinaison
- Câble d'adaptateur pour batterie de voiture
- Contrepoids

Si vous avez fait l'achat de la monture Advanced VX séparément, alors un contrepoids devrait être également livré dans la boîte. Si vous avez acheté la monture Advanced VX en tant que composant d'un kit, alors un ou deux contrepoids pourraient être livrés, selon le tube optique choisit. Ces contrepoids seront livrés dans des boîtes séparées. Vous trouverez plus d'informations dans la section du manuel dédiée à l'utilisation de votre tube optique.

Retirez toutes les pièces de leurs sections internes et déposez-les sur une surface propre et plane. Un grand espace sur le sol est idéal. Pour installer votre monture Celestron, commencez par le trépied puis continuez ensuite. Ces instructions sont données dans l'ordre où elles doivent être appliquées.

Installation du Trépied

Le trépied Advanced VX est livré avec une Attache centrale des pieds du trépied / Support à accessoires métallique offrant un support solide comme le roc.

Le trépied est livré assemblé avec une plaque métallique appelée tête de trépied, et qui tient les pieds attachés en haut. De plus, il s'y trouve une barre centrale qui descend sous la tête du trépied et fixe la monture équatoriale à celui-ci. Pour installer le trépied:

1. Retirez le trépied de la boîte et étirez les jambes du trépied, jusqu'à ce que chaque jambe soit complètement déployée. Le trépied peut maintenant tenir debout de lui-même.
2. Pour régler la hauteur des pieds, desserrez le levier situé au bas de chaque pied en le faisant tourner dans le sens des aiguilles d'une montre.
3. Étendez chaque pied pour obtenir la longueur désirée puis fixez-la en faisant tourner les leviers dans le sens inverse des aiguilles d'une montre. Veillez à bien serrer les pieds, pour éviter qu'elles ne glissent dans les tubes de nouveau par accident.

Fixation des molettes de réglage d'azimut

Pour des raisons de sécurité de livraison, votre monture Advanced VX est livrée avec les molettes de réglage

d'azimut séparées. Celles-ci devront donc être installées.

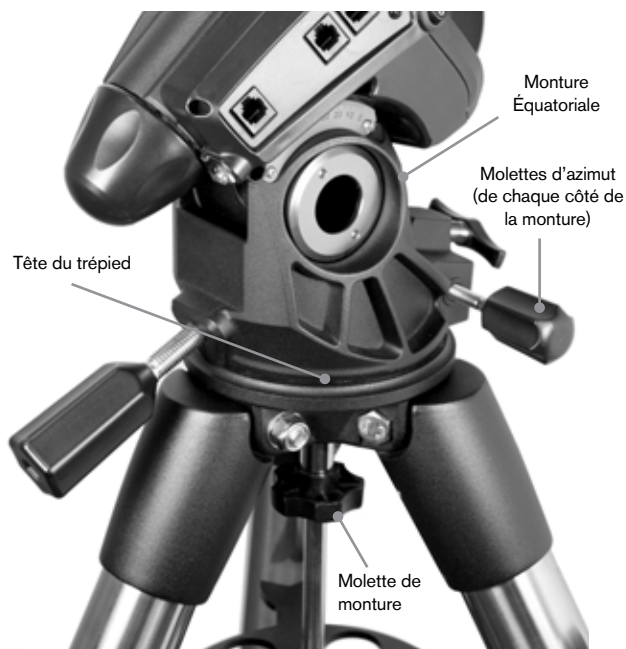
Avant de fixer la monture au trépied :

1. Trouvez les molettes de réglage d'azimut dans la boîte contenant la tête équatoriale de l'Advanced VX.
2. Vissez chaque molette dans chacun des trous situés de chaque côté de la monture.
3. Ne vissez les molettes qu'à moitié, de manière à pouvoir insérer la cheville d'alignement du trépied, qui doit se glisser entre les deux extrémités des vis.

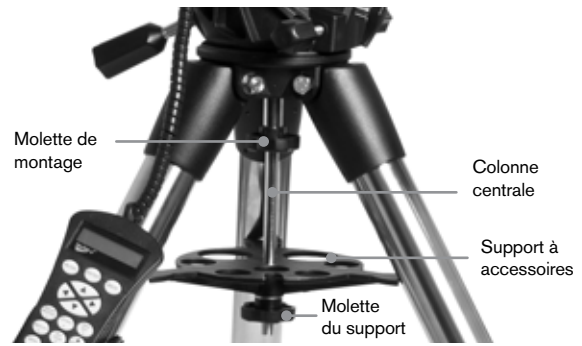
Fixation de la monture équatoriale

La monture équatoriale de l'Advanced VX permet d'incliner l'axe de rotation du télescope de manière à ce que vous puissiez suivre le déplacement des étoiles dans le ciel. La cheville d'alignement métallique se trouve sur l'un des côtés de la tête pour l'alignement de la monture. Ce côté du trépied sera orienté vers le nord pour son installation pour observation astronomique. Pour fixer la tête équatoriale :

1. Repérez les vis de réglage d'azimut sur la monture équatoriale.
2. Dévissez les vis de réglage de manière à ce qu'elles ne rentrent plus dans le boîtier d'azimut de la monture. **Ne pas retirer les vis, car celles-ci seront nécessaires plus tard pour l'alignement polaire.**
3. Tenez la monture équatoriale au dessus de la tête du trépied de manière à ce que le boîtier d'azimut se trouve au dessus de la cheville métallique.
4. Déposez la monture équatoriale sur la tête du trépied de manière à ce que les deux soient encastrés.
5. Poussez la molette située sur la barre centrale elle-même située sous la tête du trépied vers le haut et faites-la tourner dans le sens des aiguilles d'une montre pour fixer la monture équatoriale fermement.



Votre trépied Advanced VX est livré avec la cheville d'alignement installée de manière à ce que l'axe polaire et la barre de contrepois s'étendent entre les jambes du trépied. Si désiré, vous pouvez repositionner la cheville du trépied de manière à ce que la barre de contrepois se trouve directement au-dessus d'une jambe du trépied. Cela est une question de préférence et n'affecte pas la stabilité de la monture. Les observateurs à plus basse altitude préféreront laisser la cheville d'alignement entre les deux jambes pour éviter que le contrepois entre en contact avec les jambes du trépied lorsque celui-ci est en position la plus basse. Pour modifier la vitesse des moteurs:



1. Utilisez une clef anglaise pour tenir la cheville en place et utilisez-en une autre pour dévisser le boulon de verrouillage situé sous la cheville d'alignement.
2. Une fois le boulon desserré, la cheville peut être dévissée et déplacée sur le trou fileté situé à l'opposé sur la tête.
3. Vissez la cheville au maximum, et repoussez-la jusqu'à ce que ses faces plates soient perpendiculaires au trépied.
4. Utilisez une clef anglaise pour tenir la cheville en place et utilisez-en une autre pour visser le boulon de verrouillage sur la tête du trépied.
5. Montez la tête équatoriale comme décrit ci-dessus.

Fixation du support à accessoires

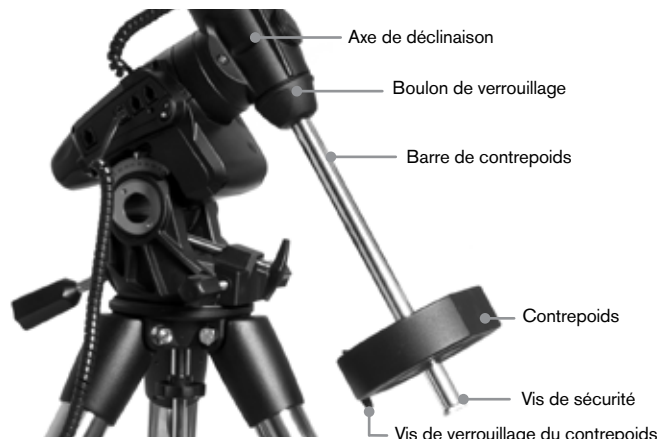
La monture Advanced VX est livrée avec un support pour accessoire équipé de trous spécialement conçus pour accueillir des oculaires de diamètres 3,1 cm et 5 cm. Le support à accessoires est également une attache des jambes qui aide à stabiliser la monture. Pour installer le support:

1. Retirez le boulon et la rondelle de la partie inférieure de la barre centrale.
2. Faites glisser verticalement le support pour accessoires sur la barre centrale jusqu'à ce qu'il pousse sur l'intérieur de chacune des jambes du trépied.
3. Vissez la molette du support pour accessoires dans la barre centrale et serrez.

Installation de la barre de contrepois

Pour assurer l'équilibre du télescope, la monture est livrée avec une barre de contrepois et au moins un contrepois (selon le modèle) Installation de la barre du contrepois:

1. Trouvez la barre de contrepois et le boulon de verrouillage dans la boîte contenant la tête équatoriale. Le boulon de verrouillage devrait déjà se trouver à l'extrémité de la barre de contrepois.
2. Repérez l'ouverture de la monture équatoriale sur l'axe de déclinaison et vissez la barre de contrepois dans l'ouverture jusqu'à ce qu'elle soit fermement installée.
3. Vissez le boulon de la barre de contrepois au maximum.



Une fois la barre correctement installée, celle-ci est prête à recevoir le contrepois.

Astuce d'observation: Le télescope complètement monté peut peser lourd. Positionnez la monture de manière à ce que l'axe solaire soit orienté vers le nord avant d'y installer le tube optique ou les contrepois. Cela simplifiera grandement la procédure d'alignement.

Installation du contrepois

Pour installer le ou les contrepois livrés avec votre monture ou kit de télescope:

1. Orientez la monture de manière à ce que la barre de contrepois soit orientée vers le sol.

- Retirez la vis de sécurité du contrepois situé à l'extrémité de la barre de contrepois en la faisant tourner dans le sens inverse des aiguilles d'une montre. La vis est présente pour empêcher le contrepois de tomber de la monture au cas où la vis de verrouillage se déserre.
- Desserrez la vis de verrouillage du côté du contrepois.
- Faites glisser le contrepois sur la barre de contrepois et faites-le glisser à environ la moitié de la hauteur de la barre.
- Serrez la vis de verrouillage sur le côté du contrepois pour le fixer en place.
- Remettez la vis de sécurité en place.

Astuce: Le trou au centre du contrepois est légèrement plus grand sur un côté. Lorsque vous glissez le contrepois sur la barre, veillez à ce que le petit côté du trou soit orienté vers la tête équatoriale. Cela permet de glisser le contrepois au bas de la barre de contrepois au cas où vous avez besoin d'affiner le réglage lorsque vous ajoutez des accessoires sur le tube optique. Le petit côté du trou garantira que le contrepois ne peut glisser complètement au dessus de la vis de sécurité.

Fixer le support de commande manuelle

Les modèles de télescope Advanced VX sont livrés avec un support de commande manuelle qui se fixe à une jambe du trépied. Le support de commande manuelle est livré en deux pièces : la pince de jambe, qui s'enclenche autour de la jambe du trépied et le support en soit qui se fixe sur la pince. Fixation du support de commande manuelle:

- Placez la pince de jambe contre une jambe du trépied et appuyez avec fermeté jusqu'à ce que celle-ci encercle la jambe.
- Faites glisser la partie arrière du support de commande manuelle vers le bas dans le guide situé sur le devant de la pince de jambe jusqu'à son enclenchement.



Fixation du tube optique à la monture

Le télescope se fixe à la monture à l'aide d'une barre coulissante à queue d'aronde située à la partie inférieure du tube du télescope. Avant de fixer le tube optique, vérifiez que les molettes de déclinaison et d'ascension droite sont correctement serrées et que le ou les contrepois sont installés en toute sécurité. Cela est nécessaire pour garantir que la monture n'effectuera pas de mouvement incontrôlé pendant

l'installation du télescope. Pour fixer le tube de télescope:

- Desserrez les deux vis de fixation situées de chaque côté de la plateforme de montage du télescope. Cela vous permettra de glisser la barre à queue d'aronde dans la monture.
- Si votre télescope en comporte, retirez les vis de sécurité situées sous la barre à queue d'aronde.
- Faites glisser la barre à queue d'aronde du tube du télescope dans la plateforme de montage de la monture. Faites glisser le télescope de manière à ce que la barre à queue d'aronde soit proche de la partie arrière de la plateforme de montage.
- Serrez les vis de verrouillage sur le côté la plateforme de montage pour le fixer en place.

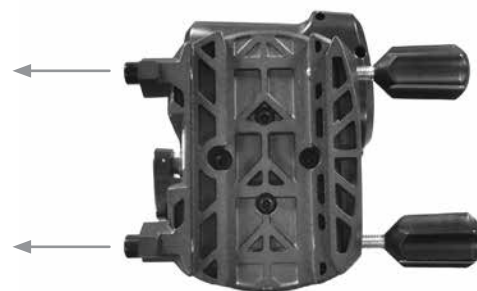
Maintenant que le tube optique est fermement en place, les accessoires d'observation peuvent maintenant être attachés au télescope. Cette étape est décrite en détails dans la section dédiée à l'utilisation des tubes optiques.



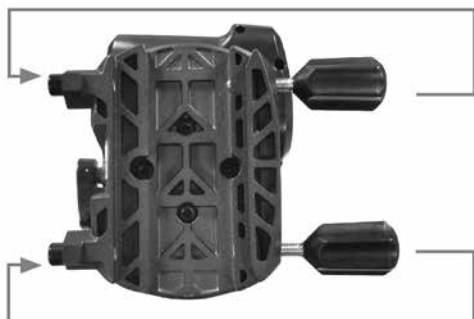
Utiliser le double chevalet

Votre monture Advanced VX est livrée avec un double chevalet, qui vous permet d'utiliser n'importe quel tube optique utilisant une queue d'aronde sur plaque en V de 1,75" (Synta, Vixen) ou du type de queue d'aronde de style D plus large de 3" (75mm) (CGEM, CGX, CGX-L).

Votre monture Advanced VX devrait déjà être configurée pour être utilisée avec une plaque en V de plus petite taille. Pour convertir la monture afin de l'utiliser avec une plaque en D plus large, retirez simplement les deux boulons sur le côté gauche du chevalet de queue d'aronde à l'aide d'une clef Allen de 6mm.



Retirez les deux molettes et déplacez-les sur les deux trous filetés que vous venez de découvrir.



Pour garder les trous filetés propres, remettez toujours les vis Allen dans les trous d'installation que vous n'utilisez pas.

Déplacement manuel du Télescope

Pour effectuer un équilibrage correct de votre télescope, vous devrez orienter celui-ci manuellement vers différentes sections du ciel pour observer différents objets. Pour effectuer les réglages grossiers, desserrez légèrement les leviers des molettes R.A et DEC, puis déplacez le télescope dans la direction désirée.

Chaque axe R.A et DEC. est équipé de leviers de verrouillage qui permettent de fixer chaque axe du télescope. Pour desserrer les verrouillages du télescope, faites pivoter les leviers de verrouillage dans le sens inverse des aiguilles d'une montre.

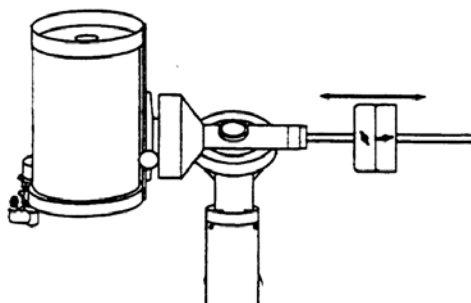


Équilibrage de la monture en R.A.

Pour limiter les tensions subies par la monture, le télescope doit être correctement équilibré autour de l'axe polaire. Un équilibrage correct est crucial pour garantir un suivi précis. Pour équilibrer la monture:

1. Vérifiez que le télescope est correctement fixé à la plateforme de montage du télescope.
2. Desserrez le levier de verrouillage R.A. puis positionnez le télescope sur un côté de la monture. La barre de contreponds s'étendra horizontalement à l'opposé de la monture.
3. Relâchez le télescope – **GRADUELLEMENT** – pour observer de quel côté il « roule ».

4. Desserrez la vis située sur le côté du contreponds, de manière à ce que celui-ci puisse être déplacé sur la barre.
5. Déplacez le contreponds jusqu'à ce qu'il équilibre le télescope (donc lorsque le télescope ne bouge plus lorsque les molettes de verrouillage R.A. sont desserrées).
6. Serrez la vis de verrouillage sur le côté du contreponds pour le fixer en place.



Astuce: Bien que la procédure décrite ci-dessus permette d'obtenir un équilibre parfait, un LÉGER déséquilibre doit être présent pour garantir un suivi aussi parfait que possible. Lorsque le tube est du côté ouest de la monture, alors le contreponds doit être légèrement déséquilibré du côté contreponds. Lorsque le tube est du côté est de la monture, alors un léger déséquilibre doit être présent du côté du télescope. Cela est requis pour limiter l'effort de la vis sans fin. Le déséquilibre doit être imperceptible. Lorsque vous effectuez des prises de vues astronomiques, ce processus d'équilibrage peut être effectué pour l'affiner selon son orientation pour améliorer encore sa précision.

Équilibrage de la monture en DEC

Bien que la monture ne puisse suivre en déclinaison, le télescope doit être également équilibré sur cet axe pour éviter les mouvements brusques lorsque le levier DEC. est desserré. Pour équilibrer le télescope en DEC:

1. Desserrez le levier de verrouillage R.A. et faites pivoter le télescope sur un côté de la monture (comme décrit dans la section précédente, « Équilibrage de la monture en R.A. »).
2. Resserrez le levier de verrouillage R.A. pour fixer le télescope en position.
3. Desserrez le levier de verrouillage DEC. et faites pivoter le télescope jusqu'à ce qu'il soit parallèle au sol.
4. Relâchez le télescope – **GRADUELLEMENT** – pour observer de quel côté il pivote sur l'axe de déclinaison. **NE PAS RELÂCHER COMPLÈTEMENT LE TUBE!**
5. Desserrez légèrement les molettes qui maintiennent la plateforme de montage et faites glisser le télescope vers l'avant ou l'arrière jusqu'à ce que celui-ci reste stable lorsque le levier DEC. est desserré. Ne PAS lâcher le télescope lorsque la molette de la plateforme de montage est desserrée. Il pourrait être nécessaire de faire pivoter le télescope de manière à ce que la barre de

contrepoids soit orientée vers le bas avant de desserrer la vis de la plateforme de montage.

6. Serrez les molettes sur la plateforme de montage pour le fixer en place.

A l'instar de l'équilibrage R.A., ce sont des instructions d'équilibrage générales et aideront à limiter la tension subie par la monture. Lorsque vous effectuez des prises de vues astronomiques, ce processus d'équilibrage doit être effectué pour l'affiner selon son orientation.

Régler la monture

Pour que le moteur puisse effectuer un suivi précis, l'axe de rotation du télescope doit être parallèle à l'axe de rotation de la terre, ce qui est appelé alignement polaire. L'alignement polaire est obtenu NON PAS en déplaçant le télescope en R.A ou DEC. mais en réglant la monture verticalement, aussi appelé l'altitude et horizontalement, ou l'azimut. Cette section explique les mouvements nécessaires pour effectuer l'alignement polaire du télescope. Le processus réel d'alignement polaire, ou faire en sorte que l'axe de rotation du télescope soit parallèle à celui de la Terre, est décrit plus loin dans ce manuel, dans la section « Alignement polaire ».

Réglage de la monture en altitude

- Pour augmenter l'altitude de l'axe polaire, serrez la vis arrière de réglage de latitude et desserrez la vis frontale.
- Pour réduire l'altitude de l'axe polaire, serrez la vis frontale de réglage de latitude (qui se trouve sous la barre de contrepoids) et desserrez la vis arrière.

Le réglage de la latitude sur la monture Advanced VX s'effectue sur une plage d'environ 7° à 77°.



Il est préférable d'effectuer les derniers réglages en altitude en déplaçant la monture contre la gravité (donc en utilisant la vis de réglage arrière pour lever la monture). Pour ce faire, vous devriez desserrer les deux vis de réglage de latitude et pousser l'avant de la monture autant que possible. Serrez ensuite la vis de réglage arrière pour lever la monture à l'altitude désirée.

Réglage de la monture en azimut

Pour effectuer un réglage grossier de l'azimut, déplacez simplement l'ensemble du télescope. Pour effectuer un réglage d'azimut fin:

Tournez les molettes de réglage situées de chaque côté du boîtier d'azimut. Lorsque vous vous situez à l'arrière du télescope, ces molettes sont situées sur l'avant de la monture.

- Tourner la molette de réglage de droite déplace la monture vers la droite.
- Tourner la molette de réglage de gauche déplace la monture vers la gauche.

Chaque vis déplace la cheville d'alignement de la tête du trépied, ce qui veut dire que vous pourriez avoir à desserrer une vis tout en serrant une autre. La vis qui fixe la monture équatoriale au trépied pourrait avoir à être légèrement desserrée.

Gardez à l'esprit que le réglage de la monture est effectué pendant le processus d'alignement polaire seulement. Une fois l'alignement polaire effectué, la monture ne doit PAS être déplacée. Le pointage du télescope est effectué en déplaçant la monture en ascension droite et déclinaison, comme décrit ci-dessus dans ce manuel.

Branchement du câble de déclinaison

L'Advanced VX est livré avec un câble permettant de brancher le panneau de contrôle électronique au moteur de déclinaison. Pour brancher les câbles du moteur:

- Trouvez le câble de déclinaison et branchez-en une extrémité au port du panneau électronique portant le label Port DEC.
- Insérez l'autre extrémité du câble dans le port du moteur de déclinaison.

Mise sous Tension du Télescope

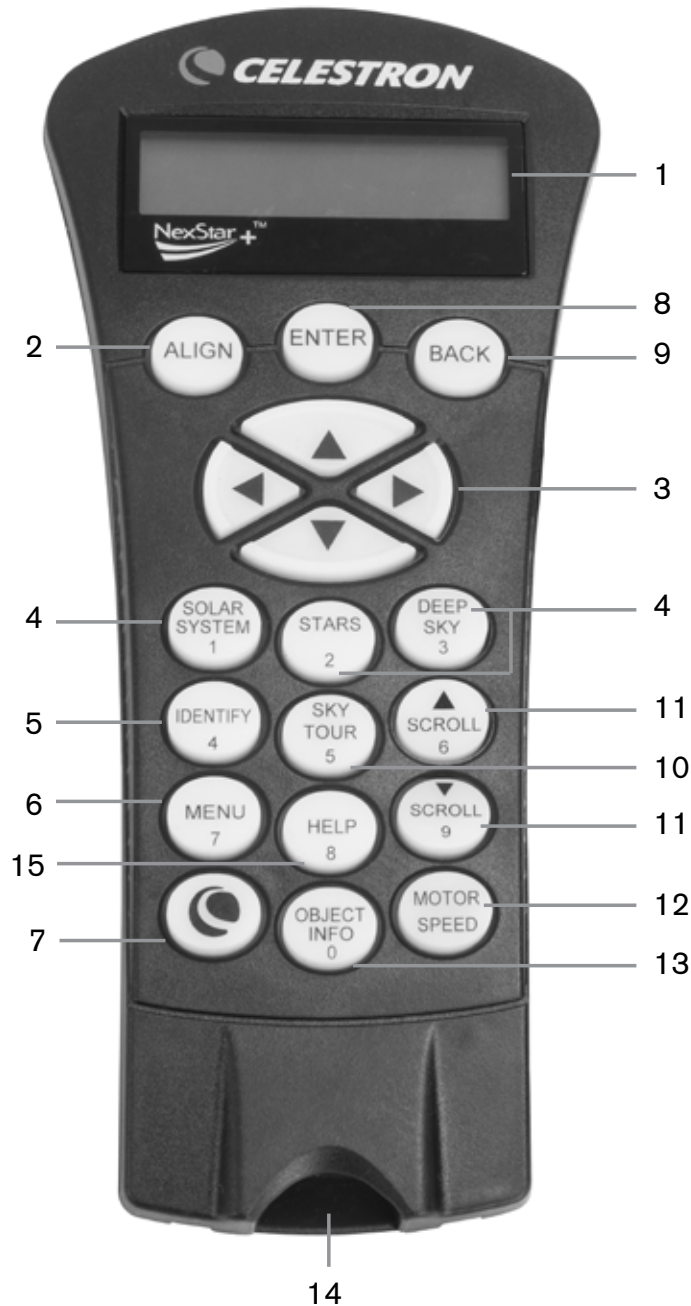
L'Advanced VX peut être alimenté à l'aide de l'adaptateur pour batterie de voiture ou adaptateur optionnel CA 12 V. N'utiliser que les adaptateurs fournis par Celestron. L'utilisation d'adaptateurs d'autres marques pourrait endommager les composants électroniques et annuler la garantie du fabricant.

1. Pour alimenter le télescope avec une batterie de voiture (ou adaptateur optionnel CA 12V), branchez simplement la prise ronde au port 12 V du panneau électronique et branchez l'autre extrémité à l'allume-cigare de votre voiture ou autre alimentation portable.
2. Allumez le télescope en basculant l'interrupteur, situé sur le panneau électronique, en position « Marche ».

Bloc de commande électronique

Vous venez de recevoir la nouvelle commande manuelle NexStar+ avec votre télescope. La commande manuelle NexStar+ est maintenant pourvue d'un port USB vous permettant de la raccorder à un logiciel de contrôle sur PC, et d'effectuer les mises à jours de son logiciel interne. Ce modèle constitue un remplacement direct pour tous les télescopes compatibles avec le connecteur RS-232 commande manuelle NexStar+.

Vous pouvez maintenant mettre à jour le logiciel via USB sans alimentation externe et sans connexion à la monture. Pour mettre le logiciel à jour, branchez simplement un câble mini USB (non inclus) entre le port d'un ordinateur et celui présent sur le bas de la raquette de commande. Lancez ensuite le logiciel Celestron Firmware Manager (CFM) disponible gratuitement dans la section Assistance du site Celestron.com.



1. **Écran LCD (Liquid Crystal Display) :** Écran d'affichage de deux lignes de 18 caractères avec rétroéclairage pour une vision tout en confort des informations du télescope et du déroulement de texte.
2. **Alignement :** Pour lancer le processus d'alignement de votre télescope.
3. **Touches de direction :** Permet le contrôle complet de votre télescope Advanced VX dans toute direction. Utiliser les touches de direction pour centrer les objets dans l'oculaire ou pour orienter manuellement votre télescope.
4. **Touches Catalogue :** La commande manuelle possède une touche qui permet l'accès direct à chacun des catalogues dans sa base de données de plus de 40 000 objets. Votre télescope contient les catalogues suivants dans sa base de données:
 - **Système Solaire** – Les 7 planètes de notre Système Solaire plus la Lune, le Soleil et Pluton.
 - **Étoiles** – Listes personnalisées des étoiles les plus brillantes, des étoiles binaires, des étoiles variables, des constellations et des astérismes.
 - **Ciel profond** – Listes personnalisées des meilleures galaxies, nébuleuses et amas ainsi que la totalité du catalogue Messier et objets de la liste NGC.
5. **Identification :** Recherche dans la base de données de l'Advanced VX et affiche le nom et distances décalées des objets correspondants les plus proches.
6. **Menu :** Affiche les fonctions de paramétrage et d'utilitaires, tels que taux de pistage et objets définis par l'utilisateur et autres.
7. **Options (Logo Celestron) :** En combinaison avec d'autres touches, permet d'accéder à des fonctionnalités et fonctions avancées.
8. **Entrée :** Appuyez sur ENTRÉE vous permet de sélectionner toute fonction de l'Advanced VX, d'accepter les paramètres entrés et d'orienter le télescope vers les objets affichés.
9. **Retour :** Retour vous sortira du menu courant et affichera le précédent niveau du chemin de menu. Appuyez sur RETOUR de manière répétée pour revenir au menu principal ou pour effacer des données entrées par erreur.
10. **Sky Tour :** Activer le mode visite guidée, qui recherche tous les meilleurs objets célestes et oriente automatiquement votre télescope vers ces objets.
11. **Touches de défilement :** Utilisées pour faire défiler vers le HAUT ou le BAS dans toute liste de menu. Un symbole de flèche double à la droite de l'écran signifie que les clés de défilement peuvent être utilisées pour voir des informations additionnelles.
12. **Vitesse des moteurs :** Permet de contrôler la vitesse de rotation du moteur lorsque les touches de défilement sont pressées.
13. **Informations sur objet :** Affiche les coordonnées et informations pertinentes sur les objets sélectionnés de la base de données de l'Advanced VX.
14. **Port Mini USB (câble non inclus) :** Permet de connecter votre télescope à un logiciel offrant des capacités d'orientation par simple clic et de mise à jour du micrologiciel.
15. **Menu Aide :** Dans les mises à jour futures du micrologiciel, ce bouton offrira des astuces de dépannage. Pour l'instant, est utilisé comme raccourci au catalogue Messier.

Fonctionnement de la Commande Manuelle

Cette section décrit les procédures de base du contrôle manuel requises afin de contrôler n'importe quel télescope Celestron. Ces procédures sont regroupées en trois catégories: Alignement, Paramétrage et Utilitaires. La section concernant l'alignement explique l'alignement initial du télescope ainsi que la recherche de corps céleste. La section concernant le paramétrage explique les différents paramètres modifiables, comme le mode de suivi et sa vitesse. Enfin, la dernière section concerne les fonctions-outil, telles que la calibration de monture, l'alignement polaire et la compensation de rebond.

Procédures d'alignement

Pour que le télescope pointe avec précision vers des objets dans le ciel, il doit d'abord être aligné sur des positions connues (étoiles) dans le ciel. Avec cette information, le télescope peut créer un modèle du ciel, qu'il utilise pour localiser n'importe quel objet avec des coordonnées connues. Il y a plusieurs façons d'aligner votre télescope avec le ciel selon les informations que l'utilisateur est en mesure de fournir :

- **Alignement deux étoiles** utilise les informations horaires/de lieu et permet à l'utilisateur de choisir les deux étoiles vers lesquelles le télescope s'orientera automatiquement.
- **Alignement une étoile** utilise les mêmes informations horaires/de lieu mais n'utilise qu'une étoile pour l'alignement.
- Finalement, **Alignement Système Solaire** affichera une liste d'objets visibles en plein jour (planètes et la lune) disponibles afin d'aligner le télescope.
- **Alignement Rapide** requiert que vous entriez la même information que vous le feriez avec la procédure Alignement deux étoiles. Cependant, au lieu d'orienter les deux étoiles d'alignement pour le centrage et l'alignement, le télescope n'utilise qu'une étoile pour modéliser le ciel basé sur l'information entrée.
- **Dernier alignement** permet de recharger automatiquement le dernier alignement et positionnement effectué. La fonction Dernier alignement est aussi pratique comme sécurité au cas où le télescope perdrait l'alimentation.

Procédure de mise en route

Avant d'effectuer l'une des procédures d'alignement décrites, la monture Advanced VX doit être positionnée de manière à ce que les marques d'index soient alignées avec les axes d'ascension droite et de déclinaison. Une fois les positions d'index définies, le contrôle manuel affichera la dernière information de date et d'heure enregistrée dans celui-ci.

1. Appuyer sur ENTRÉE pour débiter le processus d'alignement.
2. Le contrôle manuel demandera à l'utilisateur de régler la monture en position d'index. Déplacez la monture manuellement ou avec le contrôle manuel, de manière à ce que les index de R.A. et Dec soient alignés. Appuyez sur ENTRÉE pour confirmer.
 - Le contrôle manuel affichera ensuite les dernières informations d'heure locale, de fuseau horaire et de date.
 - Utilisez les touches haut et bas (10) pour consulter les paramètres actuels.

- Appuyez sur ENTRÉE pour accepter les valeurs.
- Appuyez sur RETOUR pour saisir la date, l'heure et l'emplacement actuel dans le contrôle manuel.

3. Les informations suivantes seront affichées :

- **Emplacement** – La commande manuelle affichera une liste de ville à sélectionner. Sélectionner la ville de la base de données qui est la plus proche de votre site d'observation courant. La ville sélectionnée sera enregistrée dans la mémoire du contrôle manuel afin qu'elle soit automatiquement affichée lors d'un prochain alignement. Également, si vous connaissez exactement la longitude et la latitude de votre site d'observation, vous pouvez l'entrer directement dans la commande manuelle et enregistrée pour utilisation future. Pour choisir l'emplacement de la ville :
 - Utilisez les touches de défilement Haut/Bas pour choisir entre Base de données des villes et Site personnalisé. La base de données des villes vous permettra de sélectionner la ville la plus proche de votre site d'observation à partir d'une liste d'emplacement international ou des É.U. Site personnalisé vous permet d'entrer exactement la longitude et la latitude de votre site d'observation. Sélectionner Base de données des villes et appuyer sur ENTRÉE.
 - Le contrôle manuel vous permet de choisir entre emplacement international ou emplacement aux É.-U. Pour une liste des emplacements aux É.-U. par état et ensuite par ville, appuyer sur ENTRÉE lorsque États-Unis est affiché. Pour les emplacements internationaux, utiliser la clé de défilement Haut/Bas pour sélectionner International et appuyer sur ENTRÉE.
 - Utiliser les touches de défilement Haut/Bas pour choisir l'état courant (ou pays si International a été sélectionné) de la liste alphabétique et appuyer sur ENTRÉE.
 - Utiliser les touches de défilement Haut/Bas pour choisir la ville la plus proche de votre emplacement de la liste affichée et appuyer sur ENTRÉE.
- **Heure** – Entrer l'heure courante de votre région. Vous pouvez soit entrer l'heure locale (c.-à-d. 08:00) soit l'heure militaire (c.-à-d. 20:00).
 - Sélectionner PM ou AM. Si l'heure militaire est entrée, la commande manuelle sautera cette étape.
 - Choisir entre heure normale ou heure d'été. Utiliser les touches de défilement Haut/Bas (10) pour basculer entre les options.
 - Sélectionner le fuseau horaire de votre site d'observation. Utiliser les touches de défilement Haut/Bas (10) pour défiler entre les choix. Reportez-vous à la carte des fuseaux horaires pour obtenir plus d'informations.
- **Date** – Entrer le mois, jour et année de votre session d'observation.

Remarque : Mise à jour de votre emplacement – puisque l'emplacement ne doit pas être mis à jour aussi souvent que la date ou l'heure, celui-ci n'apparaît pas à chaque fois que l'heure et la date sont mises à jour. Pour mettre à jour votre ville, appuyez sur RETOUR à tout moment lorsque vous mettez à jour votre date et

heure. Continuez à appuyer sur RETOUR pour modifier l'état, le pays ou saisir les coordonnées de longitude et de latitude.

Remarque : Si vous faites une erreur de saisie, le bouton RETOUR fait également office de barre d'effacement, vous donnant ainsi la possibilité d'effectuer une correction.

Sélectionnez l'une des méthodes d'alignement décrites ci-dessous.

Alignement deux étoiles

L'alignement deux étoiles permet à l'utilisateur de sélectionner deux étoiles avec lesquelles effectuer l'alignement du télescope. Pour effectuer l'alignement à l'aide de la méthode d'alignement deux étoiles:

1. Sélectionner Alignement deux étoiles à partir des options d'alignement. Selon les informations de date et d'heure saisies, le contrôle manuel sélectionnera et affichera automatiquement une étoile brillante située au dessus de l'horizon.
 - Appuyez sur ENTRÉE pour définir cette étoile comme première étoile d'alignement.
 - Si pour une raison ou une autre cette étoile n'est pas visible (par exemple un arbre ou un bâtiment), appuyez sur RETOUR pour que le contrôle manuel sélectionne automatiquement la prochaine étoile brillante.
 - Vous pouvez également utiliser les touches haut/bas pour parcourir la liste complète des étoiles nommées, et ainsi sélectionner n'importe laquelle des deux-cent étoiles d'alignement disponibles.
2. Dès que l'orientation est terminée sur la première étoile, l'afficheur demande d'utiliser les flèches pour aligner l'étoile sélectionnée avec la croix de visée au centre du chercheur. Une fois centré dans le chercheur, appuyez sur ENTRÉE.

L'afficheur vous demandera alors de centrer l'étoile dans le champ de vision de l'oculaire. Lorsque l'étoile est centrée, appuyer sur ALIGNER pour accepter cette étoile en tant que première étoile d'alignement.

Important : Lorsque vous orientez le télescope, souvenez-vous de toujours utiliser les touches HAUT et BAS du contrôle manuel en dernier pour limiter les risques de rebond.

3. Une fois la première étoile saisie, le contrôle manuel sélectionnera automatiquement une seconde étoile, et vous devrez alors effectuer cette procédure de nouveau.

Une fois l'alignement effectué sur les deux étoiles, l'affichage vous demandera si vous désirez ou non ajouter des étoiles de calibration additionnelles. Les étoiles de calibration sont utilisées pour améliorer la précision de pointage de votre télescope en compensant les désalignements mécaniques subtiles entre le système optique et la monture. C'est pourquoi il est en général une bonne idée d'ajouter au moins une étoile de calibration pour améliorer la précision d'alignement de la monture sur le ciel.

4. Appuyez sur ENTRÉE pour sélectionner l'étoile de calibration. Sélectionnez l'étoile de la même manière que précédemment avec les deux étoiles d'alignement puis appuyez sur ENTRÉE. Vous remarquerez que toutes les étoiles de calibration sont situées dans le côté op-

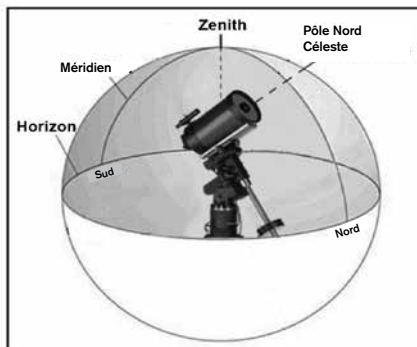
posé de ce côté du ciel (méridien) comparé aux étoiles d'alignement originales. Cela est essentiel pour le processus de calibration précis de la monture.

Enfin, vous pouvez choisir d'ajouter plus d'étoiles de calibrations ou appuyer sur RETOUR pour mettre fin au processus.

Remarque : Filtrage Est/Ouest – pour garantir les meilleures performances de pointage sur ciel total, votre monture électronique filtre et sélectionne automatiquement ses étoiles d'alignement initiales de manière à ce que les deux premières étoiles d'alignement se trouvent d'un côté du méridien et que toute autre étoile se trouve à l'opposé du méridien, comme indiqué par les lettres « O » et « E » dans le coin supérieur droit de l'écran LCD. Le filtrage Est/Ouest peut être modifié en appuyant sur le bouton MENU à tout moment pendant le processus d'alignement.

Astuces pour l'ajout d'étoiles de calibration:

- Bien que pour l'observation de divertissement, les étoiles de calibration supplémentaires ne soient pas nécessaires, il est recommandé d'en ajouter autant que possible pour obtenir une précision de pointage optimale.
- Les étoiles de calibrations proches de l'équateur céleste sont plus adéquates que celles situées près des pôles célestes.
- Bien que les étoiles de calibration ne soient pas nécessaires si la monture n'a pas été déplacée depuis l'alignement/la calibration initial, il pourrait être nécessaire d'effectuer la calibration de nouveau si le tube optique a été déplacé pour quelque raison que ce soit.



Remarque : Méridien – Une ligne de référence imaginaire dans le ciel qui commence au pôle Nord céleste et se termine au pôle Sud céleste et passe par le zénith. Si vous êtes face au sud, le méridien commence à partir de votre horizon sud et passe directement au-dessus du pôle Nord céleste.

Pour des raisons de sécurité, le Soleil ne sera pas affiché dans aucune liste d'objet de ciel dans le contrôle à moins que ce ne soit activé à partir du Menu Utilitaires. Pour permettre au Soleil d'apparaître dans la commande manuelle, faire ce qui suit :

1. Appuyer sur RETOUR jusqu'à ce que « Advanced VX

prêt » apparaisse.

2. Appuyer sur le bouton MENU et utiliser les flèches Haut et Bas pour sélectionner le Menu Utilitaires. Appuyer sur ENTRÉE.
3. Utiliser les touches de défilement Haut/Bas pour sélectionner Menu Soleil et appuyer sur ENTRÉE.
4. Appuyer sur ENTRÉE de nouveau pour permettre au Soleil d'apparaître dans l'afficheur du contrôle manuel.

L'affichage du Soleil peut être désactivé selon le même processus.

Astuce : Pour améliorer la précision de pointage du télescope, vous pouvez utiliser la fonction Réalignement tel que décrit ci-dessous.

Alignement rapide

L'alignement rapide utilise les informations de date et d'heure saisies au démarrage pour aligner le télescope. Cependant, au lieu d'orienter vers des étoiles d'alignement pour le centrage et l'alignement, le télescope n'utilise qu'une étoile pour modéliser le ciel selon les informations saisies. Cela vous permettra d'orienter vers les coordonnées d'objets brillants comme la Lune et des planètes et donnera au télescope l'information nécessaire pour suivre les objets dans toute partie du ciel (selon la précision de l'alignement polaire). Alignement rapide n'est pas destiné à être utilisé pour localiser de petits objets ou objets de faible intensité du ciel profond ou pour suivre précisément des objets pour être photographiés.

Pour utiliser Alignement rapide, sélectionnez simplement Alignement rapide dans la liste des options d'alignement et appuyez sur ENTRÉE. Le télescope utilisera automatiquement les paramètres de date et d'heure pour s'aligner sur le ciel et affichera le message Aligné avec succès.

Remarque : Une fois Alignement rapide effectué. Vous pouvez utiliser la fonction Réalignement (plus loin dans cette section) pour améliorer la précision de pointage du télescope.

Dernier alignement

La méthode Dernier alignement chargera automatiquement les dernières positions d'index mémorisées pour continuer à utiliser l'alignement effectué lorsque le télescope a été éteint pour la dernière fois. Cette fonctionnalité est utile par exemple en cas de perte d'alimentation accidentelle.

Remarque : A l'instar de l'Alignement rapide, vous pouvez utiliser la fonction Réalignement (plus loin dans cette section) pour améliorer la précision de pointage du télescope après le Dernier alignement. Pour maintenir un niveau de précision plus précis sur plusieurs sessions d'observation, utilisez la fonctionnalité de mise en veille décrite plus loin dans ce chapitre.

Réalignement

La monture possède une fonction de réalignement qui vous permet de remplacer la(les) étoile(s) d'alignement avec une nouvelle étoile ou objet céleste. Cela peut être utile dans certaines situations:

- Si vous observez depuis quelques heures, vous remarquerez que vos deux étoiles d'alignement originales se sont déplacées vers l'ouest de manière importante. (Rappelez-vous que les étoiles se déplacent à une vitesse de 15° par heure). Aligner sur une nouvelle étoile dans la partie est du ciel améliorera la précision de pointage, spécialement sur des objets dans cette partie du ciel.
- Si vous avez aligné votre télescope en utilisant la méthode Alignement rapide, vous pouvez utiliser le réalignement pour aligner vers un objet maintenant visible dans le ciel. Cela améliorera la précision de pointage de votre télescope sans avoir à entrer d'information supplémentaire.
- Si vous avez utilisé la fonction d'alignement polaire assistée par ordinateur et avez déplacé la monture manuellement, il pourrait être nécessaire d'effectuer la procédure d'alignement de nouveau.

Pour remplacer une étoile d'alignement existante avec une nouvelle étoile d'alignement :

1. Sélectionner l'étoile souhaitée (ou objet) de la base de données et orienter vers celui-ci.
2. Centrer avec soin l'objet dans l'oculaire.
3. Une fois centré, appuyer sur RETOUR pour revenir au menu principal.
4. Une fois le message Advanced VX affiché, appuyez sur ALIGNER pour sélectionner une étoile d'alignement parmi les options disponibles.
5. L'afficheur vous demandera alors quelle étoile d'alignement vous désirez remplacer. Utilisez les touches de défilement HAUT et BAS pour sélectionner l'étoile d'alignement à remplacer, et appuyez sur ENTRÉE. Il est préférable de remplacer l'étoile la plus proche du nouvel objet. Cela espacera vos étoiles d'alignement à travers le ciel.
6. Appuyez sur ALIGN pour effectuer la modification.

Catalogue des objets

Sélectionner un objet

Dès que le télescope est aligné correctement, vous pouvez sélectionner un objet dans n'importe quel catalogue de la base de données du contrôle manuel NexStar+. Le bloc de commande comporte une touche dédiée à chaque catégorie d'objets contenus dans sa base de données : Système Solaire, étoiles et objets du ciel profond.

- **Système Solaire** – Le catalogue Système Solaire affichera toutes les planètes (et la Lune) dans notre Système Solaire qui sont actuellement visibles dans le ciel. Pour activer l'affichage du soleil comme objet sélectionnable dans la base de données, reportez-vous à l'option Soleil du menu Télescope.
- **Étoiles** – Le catalogue Étoiles affiche une liste personnalisée des étoiles les plus brillantes, étoiles doubles (binaires), étoiles variables et astérismes spécifiques.
- **Ciel Profond** – Le catalogue Ciel Profond affiche une liste des meilleures Galaxies, Nébuleuses et amas d'étoiles, ainsi que le Messier complet et objets NGC. Il y a également une liste alphabétique de tous les

objets du ciel profond en ordre de leur nom commun.

Utilisez les touches de DÉFILEMENT pour défiler à travers les catalogues afin de trouver l'objet que vous désirez voir.

Lors d'un défilement à travers une longue liste d'objets, maintenir enfoncé le bouton HAUT ou BAS vous permettra de défiler plus rapidement à travers le catalogue.

Pivoter vers un objet

Dès que l'objet sélectionné est affiché sur l'écran du contrôle manuel, vous avez deux options :

- **Appuyer sur le bouton INFO OBJET.** Cela vous donnera de l'information utile sur l'objet sélectionné tel que magnitude, constellation et information supplémentaire sur les objets les plus populaires.
 - Utilisez les flèches **HAUT/BAS** pour défiler à travers l'info de l'objet sélectionné.
 - Utiliser le bouton **RETOUR** pour retourner à la base de données objets.
- **Appuyer sur le bouton ENTRÉE.** Cela fera orienter le télescope vers les coordonnées de l'objet affiché sur le contrôle manuel. Tandis que le télescope s'oriente vers l'objet, l'utilisateur peut toujours accéder à plusieurs fonctions du contrôle manuel (tel qu'afficher l'information sur l'objet).

REMARQUE: Les catalogues Messier, NGC et SAO nécessitent l'entrée d'une désignation numérique. Dès que vous avez sélectionné le bouton correspondant au catalogue en question et sélectionné le catalogue Messier, NGC ou SAO, vous verrez un curseur clignotant indiquant que vous êtes en mode d'entrée numérique. Entrer le numéro de catalogue pour l'objet que vous désirez voir. Appuyez sur ENTRÉE pour faire orienter le télescope vers l'objet, ou maintenir enfoncé le bouton OPTION (logo Celestron) et appuyez sur INFO OBJET pour consulter l'information sur l'objet sélectionné.

Attention: Ne faites jamais pivoter le télescope lorsque quelqu'un est entrain de regarder dans l'oculaire. Le télescope peut se déplacer à haute vitesse et des blessures pourraient en résulter.

Bouton SkyTour

La monture Advanced VX offre une fonction de visite qui permet à l'utilisateur de choisir un objet intéressant dans une liste construite selon la date et l'heure à laquelle vous observez. La visite automatique affichera seulement les objets contenus dans le catalogue et selon les limites du filtre personnalisé. Pour activer la fonction visite, appuyez sur **SKY TOUR** sur le bloc de commande.

1. Appuyez sur le bouton **SKY TOUR** du contrôle manuel.
2. Utilisez les touches de DÉFILEMENT pour sélectionner A ne pas rater cette nuit.
3. La monture Advanced VX pivotera automatiquement en azimut par rapport à sa position d'origine, ce qui aidera à

éviter l'enroulage du câble d'alimentation durant la visite.

- Le contrôle manuel affichera les meilleurs objets à observer qui sont présentement dans le ciel.
 - Pour obtenir de l'information et données sur l'objet affiché, appuyez sur **INFO OBJET**. Appuyez une fois pour afficher les coordonnées de l'objet. Appuyez dessus de nouveau pour afficher le texte descriptif. Appuyez sur **RETOUR** pour revenir à l'écran précédent.
 - Pour orienter vers l'objet affiché, appuyez sur **ENTRÉE**.
 - Pour voir le prochain objet de la visite guidée, appuyez sur **BAS**.

Bouton d'identification

Appuyez sur le bouton **IDENTIFIER** pour rechercher dans le catalogue des bases de données de la monture et afficher les noms et distances angulaires des objets correspondants les plus proches, en relation avec la position actuelle. Cette fonction peut être utile dans deux cas. Tout d'abord, elle peut permettre d'identifier un objet non identifié contenu dans le champ de l'oculaire. De plus, le mode Identification peut être utilisé pour trouver d'autres objets célestes qui sont proches des objets observés.

Par exemple, si votre télescope est pointé sur l'étoile la plus brillante de la constellation de la Lyre, choisir Identification la nommera à coup sûr comme Vega. Mais, la fonction Identification effectuera aussi une recherche dans le catalogue NGC et bases de données du Système Solaire et affichera toute planète ou objet du ciel profond dans son environnement proche. Dans cet exemple, la nébuleuse en anneau (M57) serait affichée comme se trouvant à environ 6° de distance.

La luminosité et proximité des objets affichés peuvent être définies à l'aide du filtre Identification dans Configuration du télescope.

Touches de direction

Le contrôle manuel contient quatre touches de direction situées au centre de celui-ci qui contrôlent le déplacement du télescope en altitude (haut et bas) et azimut (gauche et droite). La vitesse de mouvement peut être définie en 9 vitesses.

1 = 2x	6 = .3° / sec
2 = 4x	7 = 1° / sec
3 = 8x	8 = 2° / sec
4 = 16x	9 = 4° / sec
5 = 32x	

Vitesse des moteurs

Le bouton **MOTOR SPEED** (12) vous permet de modifier immédiatement la vitesse de mouvement des servomoteurs sur une plage allant de « Haute vitesse » à « Précision ». Chaque taux correspond à un numéro du pavé numérique. 9 est la vitesse la plus élevée (approximativement 4° par seconde, selon la source d'alimentation) et est utilisé pour le mouvement entre les objets et étoiles d'alignement. Le

numéro 1 est la vitesse la plus lente (2x sidéral) et peut être utilisé pour un centrage précis des objets dans l'oculaire. Pour modifier la vitesse des moteurs:

- Appuyez sur le bouton **VITESSE DU MOTEUR** sur le contrôle manuel. L'écran LCD affichera la vitesse actuelle.
- Appuyez sur le numéro du contrôle manuel qui correspond à la vitesse désirée.

Le contrôle manuel a une caractéristique « bouton double » qui permet d'accélérer la vitesse des moteurs sans avoir à spécifier la vitesse. Pour utiliser cette caractéristique, appuyez simplement sur la flèche qui correspond à la direction d'orientation désirée du télescope. Tout en maintenant ce bouton appuyé, pressez la direction opposée. Ceci accélérera le pivot à la vitesse maximum.

Lorsque vous utilisez les e **HAUT** et **BAS** du contrôle manuel, les taux les moins élevés (6 et moins) déplacent les moteurs dans la direction opposée de celle utilisée pour les taux les plus élevés (7 - 9). Ceci est mis en place pour faire en sorte qu'un objet se déplace dans la direction appropriée lorsque vous observez par l'oculaire (par ex., appuyez sur le bouton haut déplacera l'étoile vers le haut lorsque dans le champ de vision de l'oculaire). Mais, si vous utilisez l'un des taux de pivot les moins élevés (6 et moins) pour effectuer le centrage dans le starpointer, alors vous devrez utiliser les touches de la direction opposée.

Touche Aide

Dans les mises à jour futures du micrologiciel, ce bouton offrira des astuces de dépannage. Pour l'instant, est utilisé comme raccourci au catalogue Messier.

Touche de menu

La monture Advanced VX contient plusieurs fonctions de réglage définies par l'utilisateur conçues pour donner le contrôle des différentes fonctions du télescope à l'utilisateur. Toutes les fonctions et outils peuvent être atteints en appuyant sur **MENU** et en faisant défiler pour choisir les options ci-dessous.

Menu Suivi

Mode Suivi – cela permet de choisir la manière dont le télescope suit un objet selon le type de monture utilisée pour supporter le télescope. Le produit possède trois différents modes de suivi :

- EQ Nord** – Pour suivre le ciel lorsque le télescope est aligné dans l'hémisphère nord.
- EQ Sud** – Pour suivre le ciel lorsque le télescope est aligné dans l'hémisphère sud.
- Désactivé** – Lors de l'utilisation du télescope pour observation terrestre (terrain) le pistage peut être désactivé afin que le télescope ne bouge pas.

Taux de suivi – En plus d'être capable de déplacer le télescope avec les touches du contrôle manuel, votre télescope suivra continuellement un objet céleste alors qu'il se déplace dans le ciel nocturne. La vitesse de suivi peut être définie selon le type de l'objet concerné:

- Sidérale** – Cette vitesse compense pour la rotation de

la terre en déplaçant le télescope à la même vitesse de rotation de la terre, mais en direction opposée. Lorsque le télescope est aligné polairement, cela peut être possible en effectuant un mouvement vertical seulement.

- **Lunaire** – Utilisé pour pister la Lune lors d'observation de paysage lunaire.
- **Solaire** – Utilisé pour pister le Soleil lors d'observation solaire en utilisant un filtre solaire adéquat.

Menu Afficher heure-site

Ce menu permet d'afficher l'heure actuelle et la longitude et latitude téléchargées depuis le récepteur GPS optionnel SkySync. Cette option affichera également d'autres informations relatives à l'heure et à l'emplacement telles que le fuseau horaire, l'heure d'été et l'heure sidérale locale. L'heure sidérale locale (LST) est utile pour connaître l'ascension droite des objets célestes qui se trouvent sur le méridien à ce moment. L'option Afficher heure-site affiche toujours la dernière heure et emplacement saisi pendant la connexion avec le GPS. Une fois les informations actualisées reçues, alors celles-ci seront mises à jour sur l'écran. Si le GPS est éteint ou non présent, alors le contrôle manuel n'affichera que la dernière heure et emplacement saisis en dernier.

Menu du contrôle manuel

Le menu « Contrôle manuel » vous permet de personnaliser certaines caractéristiques du contrôle manuel NexStar+. Pour accéder à ce menu, appuyez sur le bouton MENU (#7 sur le pavé numérique) et utilisez les touches de défilement pour sélectionner « Contrôle manuel » puis appuyez sur ENTRÉE. Utilisez les touches de défilement pour choisir l'une des options suivantes :

- **Éclairage des touches** : Pour régler de manière indépendante l'éclairage des touches et de l'écran LCD.
- **Menu de Défilement** : Pour régler la vitesse à laquelle les mots défilent sur l'écran LCD.
- **Activer les caractères gras** : Pour modifier le format de police des caractères affichés à l'écran entre normal et gras.
- **Contraste** : Utilisez les touches de défilement pour régler le contraste de l'écran LCD.
- **Langage** : Pour modifier le langage d'affichage de l'écran LCD.

Remarque: L'option de langage peut également s'afficher lors de la première utilisation du contrôle manuel. Cette option peut également être affichée en maintenant le bouton Option (le logo Celestron) pendant 10 secondes pendant l'allumage du télescope.

Fonctionnalités de Réglage de Télescope

Réglage Heure-Site – Permet à l'utilisateur de personnaliser l'affichage du télescope en modifiant les paramètres d'heure et d'emplacement (tel que le fuseau horaire et heure avancée).

Anti-rebond – Tous les engrenages mécaniques ont un certain rebond ou jeu entre les engrenages. Ce jeu est évident par le temps que prend l'étoile à se déplacer dans

l'oculaire lorsque les flèches du contrôle manuel sont appuyées (spécialement lors de changement de directions). La fonction anti-rebond de l'Advanced VX permet à l'utilisateur de compenser le rebond en entrant une valeur qui rappelle rapidement aux moteurs d'éliminer le jeu entre les engrenages. Le montant de compensation nécessaire dépend de la vitesse de rotation sélectionnée; plus la vitesse de rotation est lente plus cela prendra de temps pour que l'étoile apparaisse dans l'oculaire. Chaque axe possède deux valeurs, une positive et une négative :

- La valeur positive est la quantité de compensation appliquée lorsque vous appuyez sur un bouton pour que les engrenages bougent rapidement.
- La valeur négative est la quantité de compensation appliquée lorsque vous relâchez le bouton, tournant les engrenages dans le sens opposé pour continuer le suivi.

Normalement, chaque mesure doit être identique. Vous devrez expérimenter avec différentes valeurs (de 0 à 99) ; une valeur entre 20 et 50 est normalement suffisante pour la plupart des observations visuelles, alors qu'une valeur plus élevée peut être nécessaire pour le guidage photographique.

Pour régler la valeur anti-rebond, défiler vers le bas vers l'option anti-rebond et appuyer sur ENTRÉE. Observez un objet par l'oculaire et observez la vitesse de réponse de chaque pression des quatre touches. Prenez note de quels mouvements observent une pause entre la pression sur le bouton et son déclenchement. Testez un axe à la fois, réglez la valeur anti-rebond de manière à ce que le mouvement soit aussi immédiat que possible sans pour autant créer un soubresaut lorsque le bouton est appuyé et relâché. Ensuite, saisissez la même valeur pour les positions positives et négatives. Si vous remarquez un soubresaut lorsque le bouton est relâché, mais remarquez une pause lorsque la valeur est réduite, utilisez la plus haute valeur en positif et la plus faible valeur en négatif. Le télescope gardera en mémoire ces valeurs et les utilisera à chaque mise sous tension ou jusqu'à ce qu'elles soient modifiées.

Limites de Filtre – Lorsqu'un alignement est terminé, le télescope sait automatiquement quels objets célestes se trouvent au-dessus de l'horizon. En conséquence, lors du défilement à travers les listes de base de données (ou en sélectionnant la fonction Visite Guidée), le contrôle manuel affichera seulement les objets qui se trouvent au-dessus de l'horizon au moment de l'observation. Vous pouvez personnaliser la base de données d'objets en sélectionnant les limites d'altitude qui sont appropriés à votre emplacement et situation. Par exemple, si vous faites de l'observation dans un emplacement montagneux où l'horizon est partiellement obscurci, vous pouvez fixer votre limite minimum d'altitude pour qu'elle lise +20°. Cela fera en sorte que la commande manuelle n'affichera que les objets qui sont supérieurs en altitude à 20°.

Astuce : Si vous souhaitez explorer la totalité de la base de données d'objets, définissez l'altitude maximum sur 90° et la limite minimum sur -90°. Cela permettra d'afficher chaque objet présent dans la base de données, qu'il soit visible ou non.

Touches de direction – La direction dans laquelle une étoile semble se déplacer dans l'oculaire est fonction de la position du tube du télescope par rapport au méridien. Cela peut être problématique, particulièrement si vous effectuez

des photos astronomiques. Pour compenser, la direction des clés de contrôle du moteur peut être modifiée. Pour renverser la logique du contrôle manuel, appuyer sur MENU et sélectionner Direction Buttons du menu Utilitaires. Utilisez les touches haut et bas (10) pour sélectionner soit l'azimut (ascension droite) ou altitude (déclinaison) puis appuyez sur ENTRÉE. Sélectionnez soit positif ou négatif pour chaque axe puis appuyez sur ENTRÉE pour enregistrer. Définir la direction de bouton azimut en positif ne déplacera pas le télescope dans la même direction que le suivi du télescope (par exemple vers l'est). Définir les touches d'altitude en positif ne déplacera pas le télescope dans le sens inverse des aiguilles d'une montre sur l'axe de DECLINAISON.

Approche Aller à – Permet à l'utilisateur le soin de définir la direction du télescope lors de l'orientation vers un objet. Cela permet à l'utilisateur de minimiser les effets de rebond lors de la rotation d'un objet à un autre. Comme dans le cas des touches de direction, définir Approche Aller à en positif fera en sorte que le télescope effectuera une approche sur un objet dans la même direction que le suivi (ouest) pour l'azimut et dans le sens inverse des aiguilles d'une montre pour la déclinaison. La déclinaison Approche Aller à ne sera valable que si le tube du télescope est d'un côté du méridien. Une fois que le tube passe de l'autre côté du méridien, l'Approche Aller à devra être inversée.

Pour modifier la direction d'Approche Aller à, simplement sélectionner Approche Aller à du menu Configuration du télescope, sélectionner soit l'approche Altitude soit l'approche Azimut, puis choisir positif ou négatif et enfin appuyer sur ENTRÉE.

Astuce : Pour minimiser les effets négatifs du rebond d'engrenage sur la précision de pointage, le paramètre de direction de bouton doit idéalement être similaire au réglage Approche Aller à. Par défaut, les touches de direction haut et bas pour centrer sur les étoiles d'alignement élimineront la majorité de l'effet de rebond dans les engrenages. Si vous modifiez le réglage Approche Aller à, il n'est pas nécessaire de modifier également les touches de direction. Prenez simplement note de la direction dans laquelle le télescope se déplace lorsqu'il termine son Approche Aller à finale. Si le télescope approche son étoile d'alignement depuis l'ouest (azimut négatif), et dans le sens des aiguilles d'une montre (altitude négative), alors veillez à ce que le centrage sur les étoiles d'alignement s'effectue dans la même direction dans le télescope.

Taux d'autoguidage – Permet à l'utilisateur de définir un taux d'autoguidage comme pourcentage de taux sidéral. Cela est utile lorsque vous calibrez votre télescope en tant qu'autoguideur pour l'imagerie astronomique à longue exposition.

Orientation OTA – Certains utilisateurs pourraient vouloir utiliser un adaptateur de barre de tandem qui permet d'attacher deux tubes optiques à la monture simultanément. Lorsque les barres de tandem les plus courantes sont installées, les tubes optiques sont à angle de 90° comparé à la configuration standard. Pour pouvoir aligner la monture avec les étoiles de manière correcte, celle-ci doit savoir qu'une barre de tandem est utilisée, et dans quelles directions le ou les tubes sont alignés (est ou ouest) avant de commencer la procédure.

L'option de tandem doit être définie avant de commencer toute étape de l'alignement sur les étoiles. Pour ce faire, rendez-vous dans les Options du télescope, sélectionnez l'option Tandem puis appuyez sur ENTRÉE. Choisissez ensuite parmi l'une des options suivantes:

- **Est** – Si les tubes installés sont orientés vers l'est lorsque les marques d'index de déclinaison sont alignés, sélectionnez Est.
- **Ouest** – Si les tubes installés sont orientés vers l'ouest lorsque les marques d'index de déclinaison sont alignées, sélectionnez Ouest.
- **Normal** – Si la barre de tandem n'est plus utilisée, sélectionnez l'option « Normal » pour désactiver la fonctionnalité.

Méridien – Cette fonction permet à la monture de se comporter correctement lorsqu'il s'agit de pivoter vers des objets accessibles depuis chaque côté du méridien. La fonctionnalité Méridien permet au télescope de rester sur un côté spécifique de la monture pendant son pivotement, et ainsi de continuer à suivre selon les limites R.A. définies par l'utilisateur. Voir limites R.A. ci-dessous. Le fonctionnalité Méridien offre quatre choix:

- **Courant favori** – Permet à la monture d'utiliser le côté actuel en priorité lorsqu'elle s'oriente vers des objets proches du méridien. Par exemple, si votre limite d'orientation R.A. est définie pour permettre à la monture de suivre à 10° après le méridien, alors le télescope restera sur le côté actuel du méridien pour s'orienter vers des objets se trouvant au maximum à 10° après le méridien.
- **Favoriser l'ouest** – Si l'objet cible est accessible depuis chaque côté de la monture, sélectionner l'option « Favoriser l'ouest » fait en sorte que la monture pointe vers l'objet comme si celui-ci se trouvait à l'ouest du méridien. Le tube sera donc positionné sur le côté est de la monture, et pointera vers l'ouest.
- **Favoriser l'est** – Si l'objet cible est accessible depuis chaque côté de la monture, sélectionner l'option « Favoriser l'est » fait en sorte que la monture pointe vers l'objet comme si celui-ci se trouvait à l'est du méridien. Le tube sera donc positionné sur le côté ouest de la monture, et pointera vers l'est.
- **Désactivé** – Ceci est l'option par défaut, qui donne l'ordre à la monture de pivoter vers le côté opposé pour voir les objets se trouvant sur le côté opposé du méridien. Mais, une fois l'objet désiré atteint, la monture continuera à pivoter plus loin que le méridien selon les limites d'orientation R.A. définies.

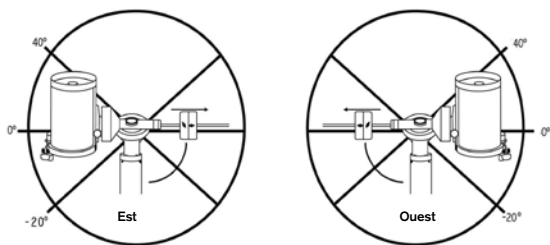
Réglages de monture – Une fois les réglages de la monture calibrés (voir la section Utilitaires ci-dessous), les valeurs sont enregistrées et affichées sur le contrôle manuel. Il est déconseillé de modifier les valeurs de calibration. Mais chaque paramètre peut être modifié si nécessaire pour améliorer les performances du télescope.

- **Valeur de cône** – Ceci est la valeur d'erreur de cône définie lorsque les opérations Utilitaires/Calibration de monture/Interrupteur DEC sont effectuées.
- **Index DEC** – Ceci est la valeur d'erreur d'index de déclinaison enregistrée lorsque les étoiles de calibration sont ajoutées après l'alignement sur les étoiles original.

- **R.A. (Ascension Droite) Index** – Ceci est la valeur d'erreur d'index R.A. définie lorsque les opérations Utilitaires/Calibration de monture/R.A. sont effectuées.

R.A. (Ascension Droite) Limites – Permet de définir les limites du télescope au sein desquelles le télescope peut s'orienter ou suivre en ascension droite (R.A.) avant de s'arrêter. Les limites d'orientation sont représentées en degrés et sont par défaut définies sur 0°, qui est la position du télescope lorsque la barre de contrepois est étendue horizontalement. Mais, cette limite peut être définie selon vos besoins spécifiques. Par exemple, si vous utilisez un équipement d'imagerie CCD (Dispositif à transfert de charge) qui est équipé de câbles qui sont trop courts pour permettre au télescope de pivoter pour couvrir la totalité du ciel, vous pouvez définir la limite d'orientation de la monture comme désiré. La monture cessera de pivoter avant d'atteindre ce point. Ou si vous prenez une image d'un objet situé juste après le méridien, alors vous pouvez définir cette limite pour permettre à la monture de continuer à suivre dans la même direction après le méridien sans avoir à « basculer » le télescope sur le côté opposé de la monture (consultez la fonctionnalité Méridien exposée ci-dessus.) Selon le premier exemple donné ci-dessous, l'utilisateur pourrait faire pivoter le télescope en R.A. (azimut) jusqu'à ce qu'il atteigne le point de tension des câbles maximum. Ensuite, observez la position azimutale du télescope (en vous reportant à l'option Obtenir la position axiale dans le menu Utilitaires), vous pouvez déterminer la position du télescope en azimut dans sa position la plus étendue. Saisissez cette valeur d'azimut dans les champs d'orientation azimutale maximum et minimum pour garantir que le télescope ne se déplacera plus loin que ce point. Les limites d'orientation du télescope peuvent être définies pour que le télescope s'arrête n'importe où entre les angles 40° au dessus et 20° au dessous. Pour définir les limites d'orientation R.A., sélectionnez les options suivantes:

- **R.A. (Ascension Droite) Limite est** – Saisissez un nombre entre +40 ou -20 pour définir la limite d'orientation lorsque le tube est situé du côté est de la monture.
- **R.A. (Ascension Droite) Limite ouest** – Saisissez un nombre entre +40 ou -20 pour définir la limite d'orientation lorsque le tube est situé du côté ouest de la monture.
- **Désactiver limites** – Cela permet d'ignorer toute valeur précédemment saisie et permet donc à la monture de suivre au maximum passé le méridien (donc -20° de chaque côté).



Avertissement : Pour permettre au télescope de se déplacer vers une étoile depuis la direction qui limite la quantité

de rebond dans les engrenages, il pourrait être nécessaire de faire en sorte que le télescope s'oriente plus loin que les limites d'orientation saisie pour approcher l'étoile depuis la direction correcte. Cela pourrait limiter votre capacité à effectuer l'orientation vers un objet de 6° par rapport à la limite d'orientation R.A. définie dans le contrôle manuel. Si cela est un problème, la direction que le télescope utilise pour centrer un objet peut être modifiée. Pour modifier la direction d'orientation du télescope, rendez-vous dans l'option Approche aller à du menu de Réglage du télescope.

Taux personnalisé 9 – Cela vous permet de personnaliser la vitesse à laquelle la monture s'oriente vers une cible. Vous pouvez alors définir les axes R.A. et DEC. de manière individuelle.

Menus Utilitaires

Parcourez le MENU (9) pour avoir accès à une variété d'options utilitaires avancées du télescope, comme Calibration de la monture, Hibernation et bien d'autres encore.

Calibration de la monture – Pour optimiser les performances et la précision de pointage du télescope, la monture est possédée des routines de calibration lui permettant de compenser les variations mécaniques communes à toute monture équatoriale Allemande. Chaque calibration est complètement automatique et dans la majorité des cas ne doit être effectuée qu'une fois. Nous recommandons fortement de prendre le temps d'effectuer la calibration de monture.

- **R.A. (Ascension Droite) Basculement** – Cette procédure enregistre la marge d'erreur de décalage lorsque la marque d'index d'ascension droite est alignée au démarrage. Calibration de R.A. L'index améliorera la précision de votre alignement d'origine pour les alignements du télescope dans le futur.
- **Calibration Aller à** – La calibration aller à est un outil utile lorsqu'on fixe de lourds accessoires photographiques au télescope. La calibration aller à calcule la distance et le temps nécessaire à la monture pour compléter son orientation finale Aller à lors de l'orientation vers un objet. La modification de l'équilibre du télescope peut prolonger le temps d'orientation complet. La calibration Aller à tient compte de tous les déséquilibres et modifie la distance Aller à pour compenser.

Position d'origine – La position d'« origine » est une position personnalisable qui est utilisée pour ranger le télescope lorsqu'il est inutilisé. La position d'origine est utile lorsque le télescope est rangé dans une installation d'observation permanente. Par défaut la position d'Origine est la même que la position d'index utilisée lorsque l'alignement de la monture est effectué.

Pour définir la position d'Origine de votre monture, utilisez simplement les touches fléchées du contrôle manuel pour orienter la monture dans la position désirée. Sélectionnez l'option Définir et appuyez sur Entrée.

Sélectionnez l'option Aller à pour remettre le télescope en position d'Origine à tout moment.

Réglage d'Usine – Réinitialise le contrôle manuel au réglage d'usine original. Les paramètres tels que valeurs de compensation de rebond, date et heure initiales, longitude/latitude ainsi que les limites de filtre et d'orientation seront

réinitialisées. Cependant, les paramètres stockés tels que les objets définis par l'utilisateur resteront intacts même si Réglage d'Usine est sélectionné. Le contrôle manuel vous demandera d'appuyer sur la clé «0» avant de revenir au réglage d'usine par défaut.

Version – Cette option vous permet de voir la version courante du contrôle manuel et du logiciel de contrôle du moteur. Le premier ensemble de numéros indique la version du logiciel du contrôle manuel. Pour le contrôle de moteur, la commande manuelle affichera deux ensembles de numéros; les premiers numéros sont pour l'azimut et les deuxièmes pour l'altitude.

Obtenir Position de l'Axe – Affiche l'altitude et azimut relatives pour l'emplacement actuel du télescope.

Aller à position de l'axe – Vous permet d'entrer une position spécifique d'altitude et d'azimut et ensuite de l'orienter vers ces coordonnées.

Hibernation – Hibernation permet au télescope d'être hors tension et de quand même retenir son alignement lors de la mise sous tension. Cela ne fait pas qu'épargner de l'énergie, mais est idéal pour ceux laissent leur télescope monté en tout temps ou qui laissent leur télescope en un emplacement pour une longue période de temps. Pour placer votre télescope en mode Hibernation :

1. Sélectionner Hibernation du Menu Utilitaires.
2. Déplacer le télescope à l'emplacement souhaité et appuyer sur ENTRÉE.
3. Éteignez le télescope. Se rappeler de ne jamais déplacer votre télescope manuellement en étant en mode Hibernation.

Dès que le télescope est de nouveau sous tension, l'afficheur devrait indiquer Réveil. Après avoir appuyé sur ENTRÉE, vous avez l'option de défiler à travers l'information d'heure/site pour confirmer le réglage actuel. Appuyer sur ENTRÉE pour réveiller le télescope.

Astuce: Appuyer sur RETOUR à l'écran Réveil vous permettra d'explorer les différentes fonctions du contrôle manuel sans avoir à sortir le télescope de son mode d'hibernation. Pour réveiller le télescope après avoir appuyé sur RETOUR, sélectionnez Hibernation du menu Utilitaires et appuyez sur ENTRÉE. Ne pas utiliser les touches de direction pour orienter le télescope en mode hibernation.

Menu Soleil

Pour des raisons de sécurité, le Soleil ne sera pas affiché en tant qu'objet de base de données à moins qu'il ne soit auparavant activé. Pour activer le Soleil, aller au menu Sun et appuyer sur ENTRÉE. Le Soleil sera alors affiché dans le catalogue des Planètes et pourra être utilisé en tant qu'objet d'alignement lors de l'utilisation de la méthode d'alignement Système Solaire. Pour retirer le Soleil de l'affichage du contrôle manuel, encore une fois sélectionner le menu Soleil du menu des Utilitaires et appuyer sur ENTRÉE.

Réglage de Position de monture

L'option Position de monture peut être utilisée pour maintenir votre alignement si vous devez desserrer les jambes ou situation similaire. Par exemple, cette fonction est utilisée si vous devez équilibrer la monture de nouveau après avoir effectué un alignement. Pour définir la position de la mon-

ture, effectuez un pivot vers une étoile brillante de la liste des étoiles nommées, et sélectionnez Définir la Position de monture. Le contrôle manuel se synchronisera sur l'étoile en vous demandant de centrer l'étoile dans l'oculaire et en appuyant sur la touche Aligner. Une fois la synchronisation effectuée, vous pouvez déplacer la monture sur les deux axes pour l'équilibrer. Une fois prêt à orienter le télescope vers votre prochain objet, souvenez-vous de centrer l'étoile brillante précédemment utilisée dans l'oculaire avec précision. Cet outil rendra invalide l'index PEC.

Activer/désactiver le GPS – Si vous utilisez votre télescope avec l'accessoire facultatif SkySync GPS, il sera nécessaire d'activer le GPS lors de la première utilisation de celui-ci. Si vous désirez utiliser la base de données du télescope pour trouver les coordonnées d'un objet céleste à une date passée ou future, vous devrez désactiver le module GPS afin d'être en mesure d'entrer manuellement la date et heure autre que celle courante.

Activer/désactiver RTC (Horloge en temps réel) – Permet d'activer ou non l'horloge interne en temps réel du télescope. Pendant l'alignement, le télescope reçoit toujours les informations mises à jour en temps réel de la RTC. Si vous désirez utiliser la base de données contrôle manuel pour trouver les coordonnées d'un objet céleste à une date passée ou future, vous devrez désactiver la RTC afin d'être en mesure d'entrer manuellement la date et heure autre que celle courante.

Correction d'erreur périodique (PEC) – PEC est conçue pour améliorer la qualité d'imagerie en réduisant l'amplitude des erreurs introduites par la vis sans fin et ainsi améliorer la précision du mouvement. Cette fonctionnalité est conçue pour l'astrophotographie avancée et est utilisée lorsque votre télescope est aligné correctement polairement. Pour plus d'informations sur comment utiliser la PEC, reportez-vous à la section du manuel concernant l'« Astrophotographie ».

Menu des Objets personnalisés

L'appareil peut mémoriser jusqu'à 400 objets personnalisés différentes en mémoire. Les objets peuvent être des objets terrestres de jour ou un objet céleste intéressant que vous avez découvert et qui n'est pas inclus dans la base de données régulière. Il y a plusieurs manières de conserver un objet en mémoire dépendant du type d'objet:

Aller à l'objet: Pour aller à un objet défini par l'utilisateur stocké dans la base de données, défiler vers la bas vers « Aller à objet céleste » ou « Aller à objet terrestre » et entrer le numéro de l'objet que vous désirez sélectionner et appuyer sur ENTRÉE. La commande manuelle récupérera automatiquement et affichera les coordonnées avant de s'orienter vers l'objet.

Enregistrer objet céleste: Votre télescope stocke les objets célestes dans sa base de données en sauvegardant son ascension droite et sa déclinaison dans le ciel. De cette manière le même objet peut être localisé chaque fois que le télescope est aligné. Dès que l'objet souhaité est centré dans l'oculaire, simplement défiler vers la commande « Enregistrer objet céleste » et appuyer sur ENTRÉE. L'afficheur vous demandera d'entrer un nombre entre 1 et 1200 pour identifier l'objet. Appuyez sur ENTRÉE de nouveau pour conserver cet objet dans la base de données.

Conserver objet

- **de base de données** : Cette fonction vous permet de créer votre propre visite guidée d'objets de base de données en vous permettant d'enregistrer la position courante du télescope et d'enregistrer le nom de l'objet en sélectionnant un des catalogues de base de données. Ces objets peuvent être retrouvés en sélectionnant Aller à objet céleste.
- **Saisir Ascension Droite - Dec** : Vous pouvez également stocker un ensemble de coordonnées spécifiques d'un objet en entrant l'ascension droite et la déclinaison pour cet objet. Défiler vers la commande «Enter RA-DEC» et appuyer sur ENTRÉE. L'afficheur vous demandera d'entrer en premier l'ascension droite et la déclinaison de l'objet souhaité.
- **Conserver objet terrestre** : Le télescope peut également être utilisé comme une lunette d'observation pour les objets terrestres. Les objets terrestres fixes peuvent être stockés en conservant leur altitude et azimut relativement à l'emplacement du télescope au moment de l'observation. Étant donné que ces objets dépendent de l'emplacement du télescope, ils ne sont valides que pour cet emplacement seulement. Pour enregistrer des objets terrestres, centrer l'objet souhaité dans l'oculaire. Défiler vers le bas à la commande « Enregistrer objet terrestre » et appuyez sur ENTRÉE. L'afficheur vous demandera d'entre un nombre entre 1 et 1200 pour identifier l'objet. Appuyez sur ENTRÉE de nouveau pour conserver cet objet dans la base de données.

Pour remplacer le contenu de tout objet défini par l'utilisateur, simplement sauvegarder un nouvel objet en utilisant l'un des numéros d'identification existant ; le télescope remplacera le précédent objet défini par l'utilisateur par le nouvel objet.

Obtenir Ascension Droite et Déclinaison - Affiche l'ascension droite et déclinaison pour l'emplacement actuel du télescope.

DEC. - Vous permet d'entrer une ascension droite spécifique et déclinaison et de l'orienter vers celle-ci.

Astuce: Pour enregistrer un ensemble de coordonnées (R.A. /Dec.) de manière permanente dans la base de données, enregistrez-le comme Objet personnalisé comme décrit ci-dessus.

Identification

Le mode Identification recherchera dans les listes ou catalogues de la base de données de la monture et affichera le nom et distances décalées des objets correspondants le plus proches. Cette fonction peut être utile dans deux cas. Tout d'abord, elle peut permettre d'identifier un objet non identifié contenu dans le champ de l'oculaire. De plus, le mode Identification peut être utilisé pour trouver d'autres objets célestes qui sont proches des objets observés. Par exemple, si votre télescope est pointé vers l'étoile la plus brillante de la constellation Lyra, en choisissant le mode Identification et ensuite en cherchant dans le catalogue Étoile Nommée retournera sans aucun doute l'étoile Véga comme étoile que vous observez actuellement. Cependant, en sélectionnant le mode Identification et en cherchant dans le catalogue Messier ou Objet Nommé, le contrôle manuel vous indiquera que

la Nébuleuse de l'Anneau (M57) se trouve à 6° de votre position présente. En cherchant dans le catalogue Étoiles Binaires, vous remarquerez qu'Epsilon Lyrae se trouve à 1° de Véga. Pour utiliser la fonction Identification :

- Appuyer sur la touche Menu et sélectionner l'option Identification.
- Utiliser les touches de défilement Haut/Bas pour sélectionner le catalogue à rechercher.
- Appuyez sur ENTRÉE pour débiter la recherche.

Remarque : Quelques-unes des bases de données contiennent des milliers d'objets, et cela pourrait prendre une minute ou deux avant que l'objet le plus près soit affiché.

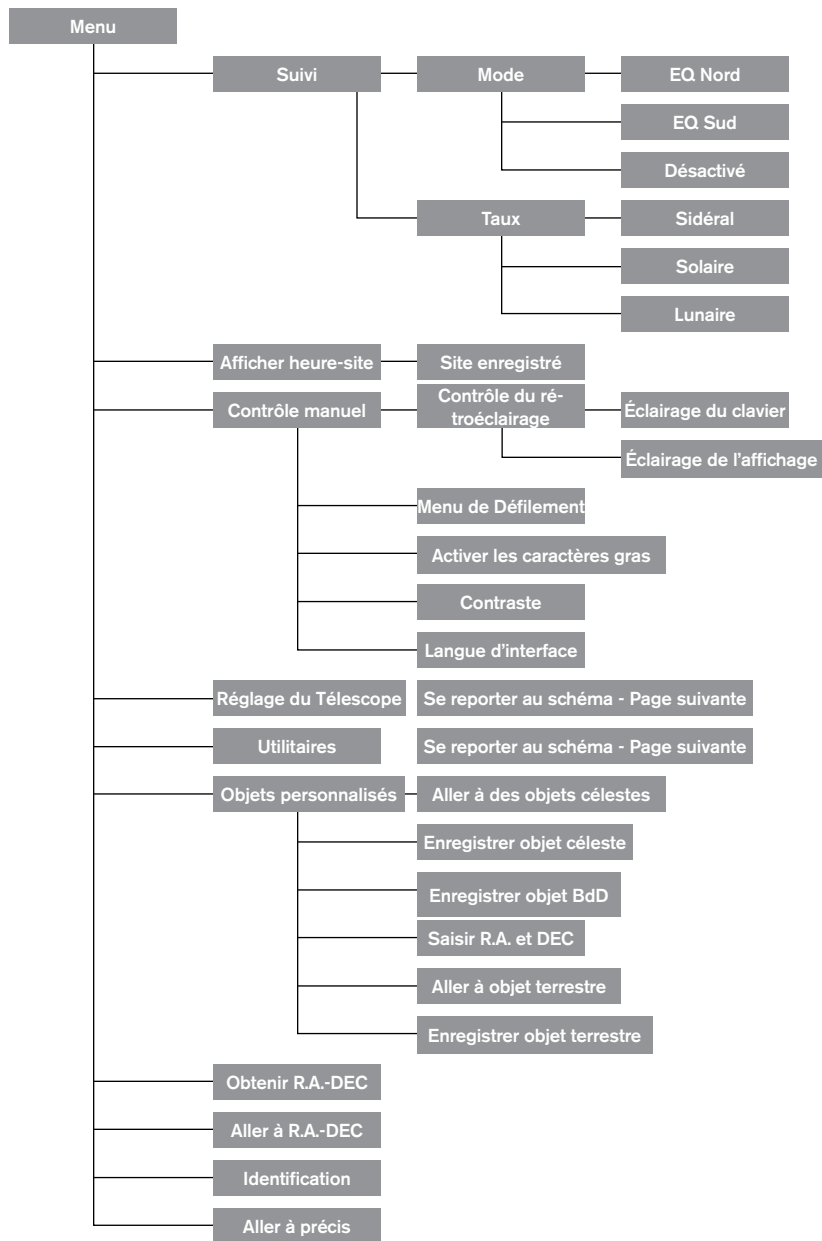
Aller à précis

La monture possède une fonction Aller à précis qui peut vous aider à trouver les objets très pâles et effectuer le centrage sur un objet précis pour l'astrophotographie. Aller à précis recherche automatiquement l'étoile brillante la plus proche de l'objet désiré et demande à l'utilisateur d'effectuer le centrage de l'oculaire avec précision. Le contrôle manuel calcule ensuite la petite différence entre la position Aller à et sa position centrée. En utilisant cette différence, la monture s'oriente ensuite sur l'objet désiré avec une précision améliorée.

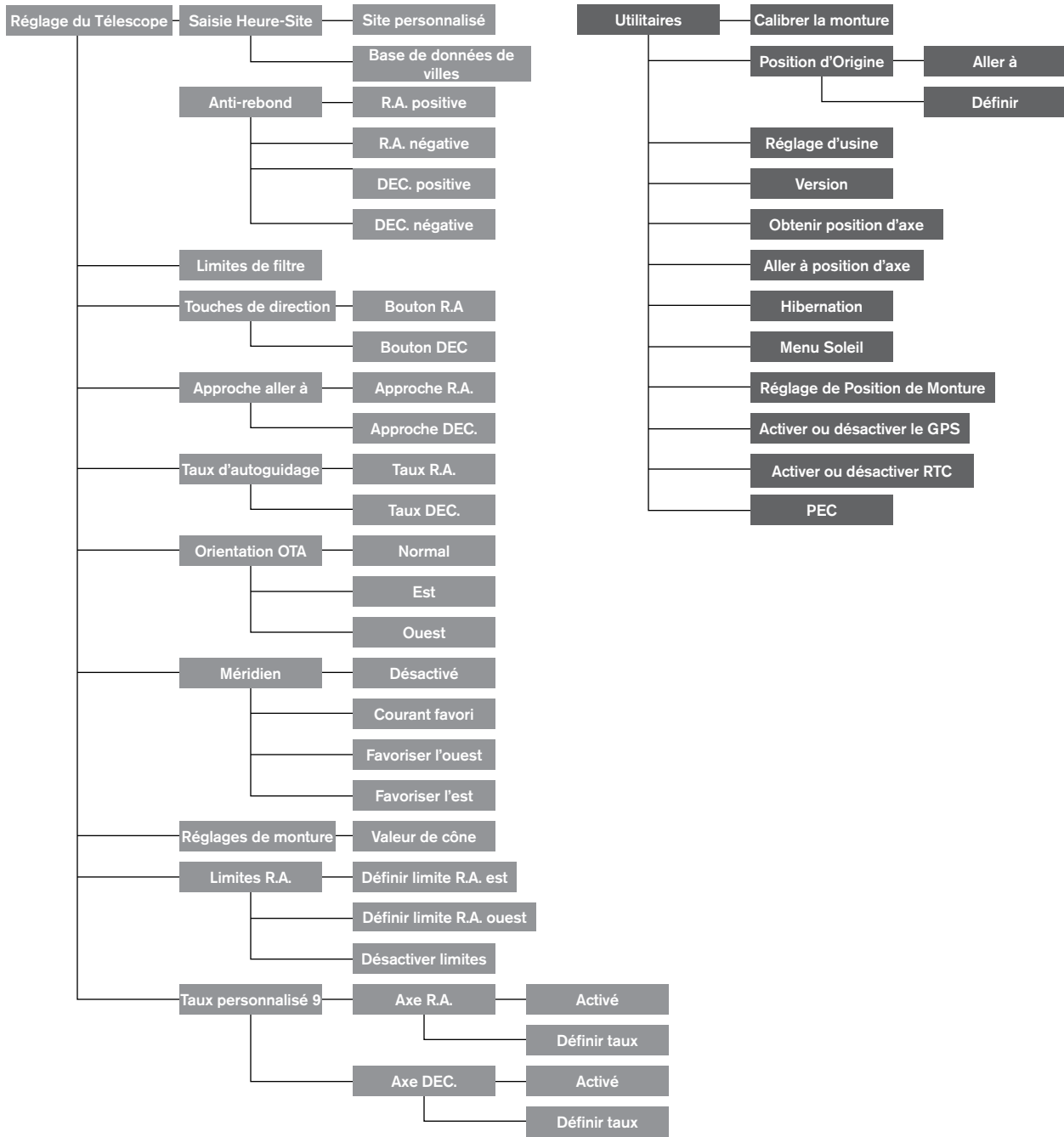
Pour utiliser Aller à précis :

1. Appuyer sur le bouton MENU et utiliser les flèches Haut et Bas pour sélectionner Aller à précis.
 - Choisissez la base de données pour sélectionner l'objet que vous désirez observer depuis son contenu ou;
 - Choisissez R.A. /DEC. pour saisir les coordonnées célestes vers lesquelles s'orienter.
2. Une fois l'objet désiré sélectionné, le contrôle manuel recherchera puis affichera l'étoile la plus proche de votre objet désiré. Appuyez sur ENTRÉE pour orienter vers la planète brillante d'alignement.
3. Utilisez les touches de direction pour centrer l'étoile d'alignement avec précision dans l'oculaire.
4. Appuyez sur ENTRÉE pour orienter vers l'objet désiré.

Arbre du menu principal Advanced VX



Arbre du menu principal Advanced VX



Assemblage de tube optique

Selon le kit de télescope acheté, l'un des tubes optiques est peut-être livré. Cette section du manuel vous expliquera comment installer les types les plus courants.

Kit N°.	22020	32054	32062	12031
Conception optique	Lunette	Newtonien	Newtonien	Edge HD
Diamètre	6" (150mm)	6" (150mm)	8" (200mm)	8" (203mm)
Distance focale	1200mm f/8	750mm f/5	1000mm f/5	2032mm f/10
Oculaire	20mm (60x) - 1.25" (3,1 cm)	20mm (38x) - 1.25" (3,1 cm)	20mm (50x) - 1.25" (3,1 cm)	40mm (51x) - 1.25" (3,1 cm)
Chercheur	9x50	6x30	9x50	9x50
Diagonale en étoile	90°- 1.25" (228,5 cm- 3,1 cm)	-	-	90°- 1.25" (228,5 cm- 3,1 cm)
Monture	Advanced VX	Advanced VX	Advanced VX	Advanced VX
Trépied	2" (5 cm) en acier inoxydable	2" (5 cm) en acier inoxydable	2" (5 cm) en acier inoxydable	2" (5 cm) en acier inoxydable
Contrepoids	2 x 12 lbs (5,5 Kg)	1 x 12 lbs (5,5 Kg)	2 x 12 lbs (5,5 Kg)	1 x 12 lbs (5,5 Kg)
Longueur du tube	51" (128 cm)	27" (69 cm)	27" (69 cm)	17" (43 cm)
Poids du tube	19 lb (8,6 Kg)	10 lb (4,5 Kg)	14 lb (6,3 Kg)	13 lb (5,8 Kg)

Kit N°.	12025	12079	12026	12046
Conception optique	Schmidt-Cassegrain	Schmidt-Cassegrain	Schmidt-Cassegrain	Schmidt-Cassegrain
Diamètre	5" (125mm)	6" (150mm)	8" (203mm)	9-1/4" (235mm)
Distance focale	1250mm f/10	1500mm f/10	2032mm f/10	2350mm f/10
Oculaire	25mm (50x) - 1.25"	20mm (75x) - 1.25"	25mm (81x) - 1.25"	25mm (94x) - 1.25"
StarPointer	6x30	6x30	6x30	6x30
Diagonale en étoile	90°- 1.25" (228,5 cm- 3,1 cm)	90°- 1.25" (228,5 cm- 3,1 cm)	90°- 1.25" (228,5 cm- 3,1 cm)	90°- 1.25" (228,5 cm- 3,1 cm)
Monture	Advanced VX	Advanced VX	Advanced VX	Advanced VX
Trépied	2" (5 cm) en acier inoxydable	2" (5 cm) en acier inoxydable	2" (5 cm) en acier inoxydable	2" (5 cm) en acier inoxydable
Contrepoids	1 x 12 lb (5,5 Kg)	1 x 12 lb (5,5 Kg)	1 x 12 lb (5,5 Kg)	2 x 12 lb (5,5 Kg)
Longueur du tube	13" (33 cm)	16" (40 cm)	17" (43 cm)	22" (56 cm)
Poids du tube	10 lb (4,5 Kg)	10 lb (4,5 Kg)	12 lb (5,5 Kg)	21 lb (9,5 Kg)

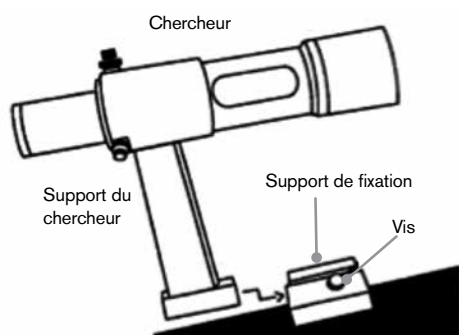
Kit N°.	12067
Conception optique	Schmidt-Cassegrain
Diamètre	11" (280mm)
Distance focale	2800mm f/10
Oculaire	40mm (70x) - 1.25"
StarPointer	9x50
Diagonale en étoile	90°- 1.25" (228,5 cm- 3,1 cm)
Monture	Advanced VX
Trépied	2" (5 cm) en acier inoxydable
Contrepoids	3 x 12 lb (5,5 Kg)
Longueur du tube	24" (61 cm)
Poids du tube	28 lb (12,7 Kg)

Installation du réfracteur (#21020)

Installation du chercheur

Pour installer le chercheur sur le télescope, celui-ci doit être au préalable fixé au support de chercheur puis attaché au télescope. Vers l'arrière du tube du télescope, près de l'assemblage de renvoi coudé, se trouve un petit support avec une vis. C'est là que le support du chercheur s'installe. Pour installer le chercheur :

1. Faites glisser le joint circulaire par l'extrémité du chercheur et faites-le rouler aux deux tiers environ du tube.
2. Insérez l'extrémité de l'oculaire par le support jusqu'à ce que le joint soit pressé fermement entre le chercheur et l'intérieur du support.

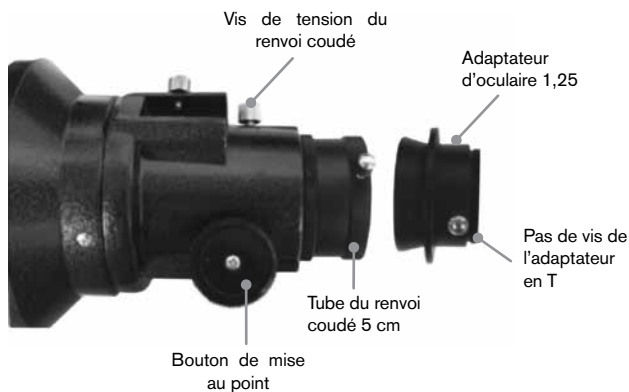


3. Serrez les vis de réglage jusqu'à ce qu'elles entrent en contact avec le corps du chercheur.
4. Trouvez le support de montage situé à l'arrière (ouvert) du télescope.
5. Desserrez la vis sur le support de montage du télescope.
6. Faites glisser le support du chercheur (attaché au chercheur) dans le support de montage du télescope.
7. Le support du chercheur pourra être glissé par l'arrière. Le chercheur doit être orienté de manière à pointer vers l'avant (ouvert) du télescope.
8. Serrez la vis de verrouillage sur le support de montage pour fixer le chercheur en place.

Installation des oculaires

L'oculaire est l'élément optique qui grossit l'image focalisée par le télescope. Sans l'oculaire, il serait impossible d'utiliser le télescope visuellement. L'oculaire s'adapte directement dans le renvoi coudé. Pour fixer l'oculaire :

1. Desserrez les vis de l'adaptateur de l'oculaire de manière à ce qu'elle ne pénètre pas dans la surface intérieure du tube.
2. Faire glisser la portion en chrome de l'oculaire dans le renvoi coudé.
3. Serrez la vis pour fixer l'oculaire en place.



Pour retirer l'oculaire, desserrez la vis sur le renvoi coudé et retirez l'oculaire. Vous pouvez alors l'échanger avec un autre oculaire.

Les oculaires sont en général désignés par leurs caractéristiques de distance focale et de diamètre de tube. La distance focale est imprimée sur le tube de l'oculaire. La distance focale est inversement proportionnelle à la puissance de l'oculaire : plus celle-ci est importante (c-à-d, plus le chiffre est élevé), moins le grossissement de l'oculaire (c-à-d. la puissance) est réduite. Plus celle-ci est réduite (c-à-d. plus le chiffre est faible), plus le grossissement de l'oculaire (c-à-d. la puissance) est élevé. Généralement, vous utiliserez une puissance de grossissement variant de faible à modérée lors de vos séances d'observation.

Votre télescope à réfraction peut utiliser des oculaires de diamètres 3,1 cm et 5 cm indifféremment. Avant d'installer un oculaire de 5 cm, vous devrez au préalable désinstaller l'adaptateur 3,1 cm. Pour ce faire, desserrez simplement les deux vis à main qui se trouvent autour du renvoi coudé et retirez l'adaptateur d'un pouce et quart. Une fois fait, un accessoire de 5 cm peut être inséré directement dans le renvoi coudé avec les deux vis à main.

Votre télescope est livré avec une diagonale en étoile de 3,1 cm. La diagonale peut être insérée dans l'extrémité de l'adaptateur 3,1 cm, qui vous permet d'utiliser des oculaires de 3,1 cm à un angle plus agréable lorsque vous observez près du zénith.

Installation du réflecteur Newtonien

(#32054 & #32062)

Installation du chercheur

Pour installer le chercheur sur le télescope, celui-ci doit être au préalable fixé au support de chercheur puis attaché au télescope. Vers l'avant du tube du télescope, près de l'assemblage de renvoi coudé, se trouve un petit support avec une vis. C'est là que le support du chercheur s'installe. Pour installer le chercheur :

1. Faites glisser le joint circulaire par l'extrémité du chercheur et faites-le rouler aux deux tiers environ du tube.
2. Insérez l'extrémité de l'oculaire par le support jusqu'à ce

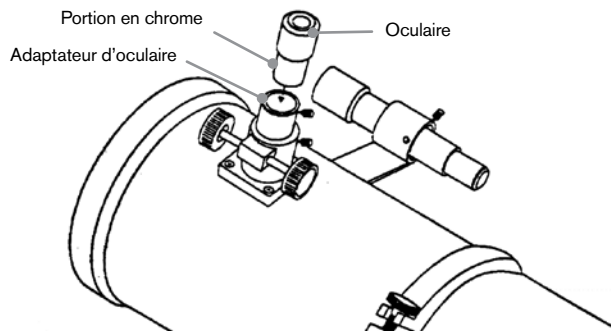
que le joint soit pressé fermement entre le chercheur et l'intérieur du support.

3. Serrez les vis de réglage jusqu'à ce qu'elles entrent en contact avec le corps du chercheur.
4. Trouvez le support de montage situé à l'avant (ouvert) du télescope.
5. Desserrez la vis sur le support de montage du télescope.
6. Faites glisser le support du chercheur (attaché au chercheur) dans le support de montage du télescope.
7. Le support du chercheur pourra être glissé par l'arrière. Le chercheur doit être orienté de manière à pointer vers l'avant (ouvert) du télescope.
8. Serrez la vis de verrouillage sur le support de montage pour fixer le chercheur en place.

Installation des oculaires

L'oculaire est l'élément optique qui grossit l'image focalisée par le télescope. Sans l'oculaire, il serait impossible d'utiliser le télescope visuellement. L'oculaire s'adapte directement dans l'adaptateur d'oculaire. Pour fixer un oculaire:

1. Desserrez les vis de l'adaptateur de l'oculaire de manière à ce qu'elle ne pénètre pas dans la surface intérieure du tube.
2. Faire glisser la portion en chrome de l'oculaire dans l'adaptateur d'oculaire.
3. Serrez la vis pour fixer l'oculaire en place.



Pour retirer l'oculaire, desserrez la vis à main de l'adaptateur d'oculaire et retirez l'oculaire. Vous pouvez alors l'échanger avec un autre oculaire. Les oculaires sont en général classés selon leur longueur focale, qui est imprimée sur le côté de l'oculaire. Plus importante est la longueur de focale (c-à-d, plus le chiffre est élevé), moins le grossissement de l'oculaire est puissant. Plus courte est la longueur de focale (c-à-d, plus le chiffre est élevé), plus le grossissement de l'oculaire est puissant. Généralement, vous utiliserez une puissance de grossissement variant de faible à modérée lors de vos séances d'observation.

Si vous possédez un tube optique Newtonien de 20,3 cm (#32062), votre télescope peut accueillir des oculaires de 3,1 cm et 5 cm. Avant d'installer un oculaire de 5 cm, vous

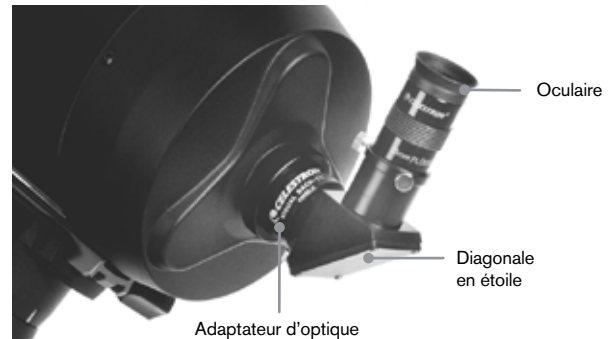
devez au préalable désinstaller l'adaptateur 3,1 cm et ainsi pouvoir installer l'oculaire de 5 cm. Pour ce faire, desserrez simplement les deux vis à main chromées qui se trouvent autour du renvoi coudé et retirez l'adaptateur d'un pouce et quart. Une fois fait, un oculaire de 5 cm peut être inséré directement dans le renvoi coudé et fixé avec les deux vis à main.

Installation des tubes optiques EdgeHD et Schmidt-Cassegrain (#12031, #12079, #12025, #12026, #12046 and #12067)

Installer la diagonale en étoile

Le renvoi coudé dévie la lumière à angle droit du chemin de lumière du télescope. Lors de l'observation du ciel, cela vous permet d'être installé plus confortablement que si vous deviez regarder directement dans l'axe du tube. Pour installer la diagonale en étoile dans le tube optique:

1. Desserrez la vis de l'adaptateur d'optique jusqu'à ce que celle-ci ne rentre plus (c-a-d n'obstrue pas) le diamètre interne de celui-ci.
2. Faire glisser la portion en chrome de la diagonale en étoile dans l'adaptateur d'optique.
3. Serrer la vis sur le barillet de mise au point afin de maintenir en place la diagonale en étoile.



Si vous désirez modifier l'orientation de la diagonale en étoile, desserrez la vis située sur l'adaptateur optique pour permettre le pivot de la diagonale en étoile. Faites pivoter la diagonale en étoile comme désiré puis resserrez la vis à main.

Installation de l'oculaire

L'oculaire est l'élément optique qui grossit l'image focalisée par le télescope. L'oculaire peut s'installer directement dans l'adaptateur d'optique ou dans la diagonale en étoile. Pour installer l'oculaire :

1. Desserrez la vis sur la diagonale en étoile pour qu'elle ne bloque pas le diamètre interne de l'extrémité de l'oculaire de la diagonale.
2. Glissez la partie chromée de l'oculaire basse puissance dans la diagonale en étoile.
3. Serrez la vis sur la diagonale en étoile pour fixer l'oculaire en place.

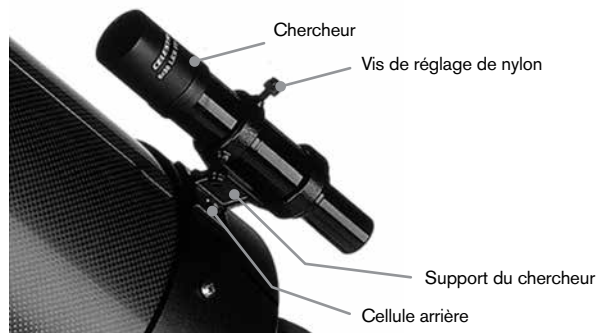
Pour retirer l'oculaire, desserrez la vis de la diagonale en étoile et retirez l'oculaire. Vous pouvez alors l'échanger avec un autre oculaire (vendu séparément).

Les oculaires sont en général désignés par leurs caractéristiques de distance focale et de diamètre de tube. La distance focale est imprimée sur le tube de l'oculaire. Plus importante est la longueur de focale (c-à-d, plus le chiffre est élevé), moins le grossissement de l'oculaire est puissant. Plus courte est la longueur de focale (c-à-d, plus le chiffre est élevé), plus le grossissement de l'oculaire est puissant. Généralement, vous utiliserez une puissance de grossissement variant de faible à modérée lors de vos séances d'observation, Pour obtenir plus d'informations sur comment déterminer la puissance, voyez la section « Calculer l'agrandissement ».

Installation du chercheur 6x30

Les télescopes Schmidt Cassegrain 12.7, 15.2, 20.3 et 23.5 cm sont livrés avec des chercheurs 6x30 vous aidant à trouver et à centrer des objets dans votre télescope. Pour faire cela, le chercheur comporte une croix de visée intégrée qui indique le centre optique du chercheur. Pour installer le chercheur :

1. Attachez le support du tube optique. Pour ce faire, placez la portion incurvée du support dans la fente située au dessus des deux trous de la cellule arrière. Le support devrait être orienté de manière à ce que les anneaux qui maintiennent le chercheur soient sur le tube du télescope, pas la cellule arrière. Commencez à visser les vis à la main puis terminez avec un tournevis.



2. Vissez partiellement les trois vis à main qui maintiennent le chercheur en place dans le support. Serrez les vis jusqu'à ce que les têtes de nylon soient presque à l'intérieur du diamètre du support. Ne PAS les visser complètement, car cela interférerait avec l'installation du chercheur. (Il est cependant plus facile d'installer les vis avant d'installer le chercheur).
3. Faites glisser le joint en anneau depuis l'arrière du chercheur (il ne pourra PAS être installé depuis le côté de l'objectif). Il pourrait être nécessaire de le détendre légèrement. Une fois sur le corps principal du chercheur, faites-le glisser d'environ un pouce depuis l'extrémité du chercheur.
4. Faites pivoter le chercheur jusqu'à ce qu'une croix de visée soit parallèle à l'axe R.A. et que l'autre est perpendiculaire à l'axe DEC.
5. Faites glisser l'extrémité de l'oculaire dans l'avant du support.

6. Serrez légèrement les trois vis de nylon à main sur l'anneau avant du support de chercheur.
7. Une fois cela fait, repoussez le joint en anneau jusqu'à ce qu'il soit fermement installé dans l'anneau arrière du support de chercheur.
8. Serrez les trois vis à pointe de nylon à la main jusqu'à ce qu'elles soient fermement insérées.

Installation du chercheur 9x50

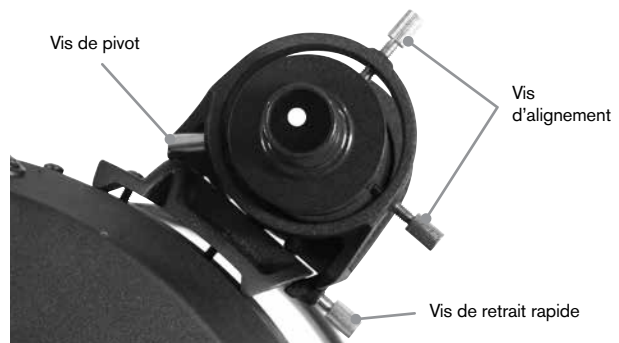
Les télescopes EdgeHD 20,3 cm et Schmidt-Cassegrain 11" sont livrés avec des chercheurs 9x50 vous aidant à trouver et à centrer des objets dans votre télescope. Pour faire cela, le chercheur comporte une croix de visée intégrée qui indique le centre optique du chercheur. Le chercheur doit d'abord être installé dans le support de retrait rapide avant d'être attaché à la cellule arrière du télescope. Pour installer le chercheur :

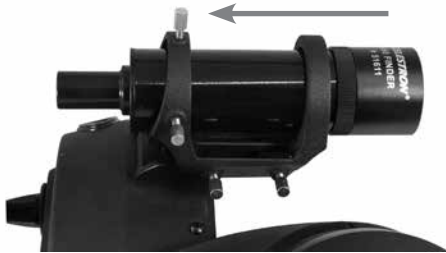
1. Repérez le support de montage du chercheur situé sur la partie inférieure du support de chercheur. Desserrez les deux vis à main situées sur les côtés du support de montage du support du chercheur.
2. Repérez les deux trous situés sur la cellule arrière du télescope dans la partie supérieure gauche, lorsque vous regardez depuis l'arrière du tube.
3. Placez le support de montage sur les deux trous situés sur la cellule arrière du tube optique.
4. Insérez les vis dans le support dans la cellule arrière.

AVERTISSEMENT : Si vous retirez le support de montage, ne pas revisser les vis complètement dans la cellule arrière du télescope. Les vis pourraient être assez longues pour gêner le mouvement, et même endommager le miroir principal.

Une fois le support fermement installé, vous êtes prêt à attacher le support du chercheur.

1. Faites glisser le joint en anneau par l'extrémité arrière du tube vers l'objectif du chercheur.
2. Faites glisser l'extrémité du côté objectif du chercheur dans l'anneau avant du support (l'anneau avant est celui comportant les vis de réglage), puis dans l'anneau arrière. Il pourrait être nécessaire de pousser la vis de pivot à ressort pour permettre au chercheur de passer dans l'anneau arrière.
3. Une fois cela fait, repoussez le joint en anneau jusqu'à ce qu'il soit fermement installé dans l'anneau arrière du support de chercheur.
4. Serrez les vis d'alignement à main jusqu'à ce qu'elles entrent en contact avec le corps du chercheur.





Alignement du chercheur

Le chercheur peut être réglé à l'aide de deux vis de réglage, situées sur le dessus et sur la droite (en regardant dans le chercheur) du support du chercheur et une vis de pivot à ressort (sur la gauche du support). Cela permet de tourner la vis du dessus pour contrôler l'élévation du chercheur et de tourner la vis de réglage droite pour régler sa position horizontalement. La vis à ressort permet de faire en sorte que le chercheur soit toujours en contact avec les vis de réglage.

Pour rendre le processus d'alignement plus aisé, vous pouvez effectuer cette opération de jour, quand il est plus simple de localiser votre cible. Pour aligner le chercheur :

1. Sélectionnez un objet en évidence qui est éloigné de vous de plus d'un mile. Cela permet d'éliminer les effets de parallaxe entre le télescope et le chercheur.
2. Pointez votre télescope vers l'objet sélectionné et centrez-le dans les optiques du télescope.
3. Resserrez les leviers de verrouillage d'azimut et d'altitude pour fixer le télescope en position.
4. Vérifiez dans le chercheur que l'objet est bien en vue.
5. Réglez les vis à main jusqu'à ce que le viseur soit centré sur l'objet.

Retrait du capuchon de lentille

Les télescopes EdgeHD et Schmidt-Cassegrain sont équipés d'un capuchon de lentille avec mécanisme de verrouillage en baïonnette. Pour retirer le capuchon, tenez le corps de celui-ci fermement et faites pivoter sa bordure extérieure d'un demi-pouce dans le sens des aiguilles d'une montre pour le retirer.

Alignement polaire de la monture

Balances de latitude

La manière la plus simple d'aligner polairement le télescope est avec une balance de latitude. A la différence des autres méthodes qui requièrent que vous trouviez le pôle céleste en identifiant certaines étoiles qui lui sont proches, cette

méthode utilise un point constant connu pour déterminer à quelle altitude l'axe polaire doit être pointé. La monture Advanced VX peut être réglée de 7 à 77 degrés.

La constante, mentionnée ci-dessus est la relation entre votre latitude et la distance angulaire du pôle céleste avec l'horizon nord (ou sud) ; la distance angulaire entre l'horizon nord et le pôle céleste nord est toujours égale à votre latitude. Pour illustrer ceci, imaginez que vous vous tenez sur le Pôle nord, latitude $+90^\circ$. Le pôle nord céleste, qui est d'une déclinaison de $+90^\circ$ se situerait donc juste au dessus de vous (en d'autres termes, à 90° au dessus de l'horizon). Maintenant, imaginons que vous vous déplacez d'un degré vers le sud - votre latitude est maintenant de $+89^\circ$ et le pôle céleste n'est donc plus exactement au dessus de vous. Il s'est rapproché d'un degré vers l'horizon nord. Cela veut dire que le pôle est maintenant à 89° au dessus de l'horizon nord. Si vous vous déplacez d'un degré en plus, la même chose se reproduit. Vous devez vous déplacer de 70 miles vers le sud ou le nord pour modifier votre latitude d'un degré. Comme vous pouvez le constater depuis cet exemple, la distance entre l'horizon nord et le pôle céleste est constamment égale à votre latitude.



Si vous faites l'observation depuis Los Angeles, qui est d'une latitude de 34° , alors le pôle céleste se trouve à 34° au dessus de l'horizon. Une balance de latitude ne fait alors que pointer l'axe polaire du télescope sur l'élévation correcte au dessus de l'horizon nord (ou sud). Pour effectuer l'alignement de votre télescope :

1. Veillez à orienter l'axe polaire de la monture vers le nord. Utilisez un repère du paysage dont vous connaissez l'orientation comme référence.
2. Mettez la monture à niveau. La monture est équipée d'un niveau à bulle pour ce faire.
3. Réglez l'altitude de la monture jusqu'à ce que l'indicateur de latitude soit pointé vers votre latitude. Déplacer la monture aura un impact sur l'angle dans lequel l'axe polaire est orienté. Pour en savoir plus sur comment régler la monture équatoriale, reportez-vous à la section « Réglage de la monture ».

Cette méthode peut être effectuée pendant la journée, pour éviter d'avoir à le faire dans l'obscurité. Bien que cette méthode ne vous oriente PAS directement vers le pôle, elle permet de limiter le nombre de corrections futures nécessaires pour le suivi d'un objet. Cela sera

également assez précis pour permettre la mise au point initiale pour la photographie planétaire (quelques secondes) et l'astrophotographie à exposition courte (quelques minutes).

Alignement polaire à l'aide du contrôle manuel

La monture Advanced VX comporte une fonction d'alignement polaire appelée « Toute-étoile » qui vous aidera à aligner votre télescope pour une précision de suivi améliorée et l'astrophotographie. Cette fonctionnalité vous permet de choisir n'importe quelle étoile d'alignement pour aider à aligner la monture de votre télescope avec précision sur le pôle nord céleste. Avant d'utiliser la fonction d'alignement polaire, le télescope doit être grossièrement pointé vers le nord et devrait être aligné avec trois étoiles dans le ciel. Reportez-vous à la section « Échelle de latitude » pour vous aider à trouver le nord et régler la latitude de la monture.

Une fois votre télescope aligné avec deux étoiles au minimum et une étoile de calibration, faites pivoter votre télescope vers n'importe quelle étoile brillante de la base de données des Étoiles nommées. Pour obtenir les meilleurs résultats possibles, choisissez une étoile d'alignement polaire qui est haute dans le ciel et proche du méridien. Évitez autant que possible les étoiles qui sont trop proches des horizons est/ouest, juste au dessus de vous ou proches du pôle céleste. Une fois terminé, appuyez sur le bouton d'alignement et utilisez les touches haut/bas du contrôle manuel pour sélectionner Alignement polaire dans la liste.

Aligner la monture – Une fois l'alignement à deux étoiles et une étoile de calibration effectué, et votre télescope orienté vers une étoile brillante de la base de données, sélectionnez « Aligner la monture ». Le télescope s'éloignera et reviendra sur la même étoile.

1. Le contrôle manuel vous demandera de recentrer l'étoile dans le chercheur et appuyez sur ENTRÉE.
2. Le contrôle manuel vous demandera de centrer l'étoile avec précision dans le chercheur et appuyez sur ALIGNER. Le télescope sera alors « synchronisé » avec cette étoile et pivotera pour pointer sur la position de l'étoile s'il est correctement aligné polairement.

Remarque : Pour obtenir l'alignement le plus précis possible, il est conseillé d'utiliser un oculaire réticulaire ou grande puissance pour centrer l'étoile avec précision dans le champ de vision.

3. Utilisez les réglages de latitude et d'azimut pour placer l'étoile au centre de l'oculaire. Ne pas utiliser les touches de direction du contrôle manuel pour positionner l'étoile. Une fois l'étoile centrée dans l'oculaire, appuyez sur ENTRÉE. L'axe polaire devrait maintenant être pointé vers le pôle céleste nord.

Mettre à jour votre alignement des étoiles

Une fois l'alignement polaire effectué, il est en général conseillé de confirmer la précision de pointage du télescope pour voir l'impact que le mouvement de la monture a eu. Puisque l'alignement polaire nécessite la « synchronisation » du télescope sur une étoile brillante avant de commencer. Il pourrait être nécessaire d'annuler la synchronisation avant de réaligner. Pour annuler la synchronisation :

- Appuyez sur le bouton d'alignement et utilisez les touches haut/bas du contrôle manuel pour sélectionner Annuler synchro. dans la liste. Le message Terminé s'affichera sur l'écran.

Pour réaligner votre télescope :

1. Faites pivoter le télescope vers l'une des étoiles d'alignement originelles ou autre étoile brillante si les étoiles d'alignement d'origine ne sont plus disponibles depuis votre site actuel. Appuyez sur le bouton Aligner et utilisez les touches haut/bas du contrôle manuel pour sélectionner Étoiles d'alignement dans la liste.
2. Le contrôle manuel vous demandera laquelle des étoiles à remplacer. Utilisez les touches de défilement Haut/Bas pour sélectionner l'étoile désirée et appuyez sur Entrée.
3. Centrer l'étoile de nouveau dans le chercheur et appuyer sur Entrée.
4. Centrer l'étoile dans l'oculaire et appuyer sur Aligner.
5. Répéter la procédure pour la seconde étoile d'alignement.

Pour une meilleure précision de pointage sur le ciel en entier, il est conseillé d'aligner au moins une étoile de calibration située sur le côté opposé du méridien. Pour ajouter des étoiles de calibration :

1. Faites pivoter le télescope vers une étoile brillante située du côté opposé du méridien comparé à vos deux étoiles d'alignement.
2. Appuyez sur le bouton Aligner et utilisez les touches haut/bas du contrôle manuel pour sélectionner Étoiles de calibration dans la liste.
3. Alignez l'étoile dans le chercheur puis dans l'oculaire comme vous l'avez fait précédemment avec les étoiles d'alignement.

Afficher alignement – l'utilisateur peut maintenant afficher la marge d'erreur d'alignement polaire sur les axes R.A. et DEC. Ces valeurs permettent de voir la précision avec laquelle la monture est pointée vers le pôle céleste et avec quelle précision l'utilisateur a effectué l'alignement des étoiles avec le contrôle manuel et le réglage de la monture. Pour afficher la marge d'erreur d'alignement:

- Appuyez sur le bouton Aligner et utilisez les touches haut/bas du contrôle manuel pour sélectionner Afficher alignement dans la liste puis appuyez sur Entrée.

Photographie longue exposition à foyer principal

Ceci est la dernière forme d'astrophotographie à tenter une fois les autres maîtrisées. Elle est conçue pour les objets du ciel profond, c'est à dire ceux qui se trouvent hors de notre système solaire, ce qui inclut les amas d'étoiles, nébuleuses et galaxies. Bien qu'il semble logique d'utiliser un grossissement puissant pour observer ces objets, l'opposé est vrai. La majorité de ces objets couvrent de larges régions angulaires et rentrent aisément dans le champ de foyer principal de votre télescope. La luminosité de ces objets, par contre, nécessitent de longues expositions, d'où la difficulté.

Il existe plusieurs techniques pour ce type de photographie, et voici la liste des accessoires requis pour celle que nous avons sélectionnée. La meilleure méthode pour la longue exposition en astrophotographie avec un guidage hors axe optionnel. Ce dispositif vous permet de photographier et de

guider le télescope simultanément. De plus, un anneau-T sera requis pour attacher votre appareil photo à un guidage hors axe optionnel

Les autres équipements requis sont un astroguideur, qui est un petit appareil photo qui s'attache au guideur radial et maintient l'étoile guide centrée pendant que vous effectuez vos prises de vue. Voici un résumé bref de la technique.

1. Alignement polaire de la monture. Pour en savoir plus sur l'alignement polaire, reportez-vous à la section Alignement polaire plus haut dans ce manuel.
2. Retirez tout accessoire visuel.
3. Vissez le guideur radial dans votre télescope.
4. Vissez le l'anneau-T dans le guideur radial.
5. Montez le corps de votre caméra sur l'anneau-T comme vous le feriez avec toute autre lentille.
6. Réglez la vitesse d'obturation sur « B ».
7. Effectuez la mise au point sur une étoile.
8. Centrez votre sujet dans le champ de votre appareil photo.
9. À l'aide de votre autoguideur, repérez une étoile adaptée dans le champ de votre télescope. Cela peut se révéler être la partie la plus longue du processus.
10. Ouvrez l'obturateur à l'aide d'un câble de déclencheur.
11. Surveillez votre étoile guide pendant toute la durée d'exposition et utilisez les touches du contrôle manuel pour effectuer les corrections nécessaires.
12. Fermez l'obturateur de votre appareil photo.

Correction d'erreur périodique (PEC)

La Correction d'erreur périodique, ou PEC, est un système permettant d'améliorer la précision de suivi de la monture en limitant le nombre de corrections nécessaires pour garder une étoile guide centrée dans l'oculaire. PEC est conçu pour améliorer la qualité des images en limitant l'ampleur des erreurs de vis sans fin. L'utilisation de PEC se fait en trois étapes. Pour commencer, l'Advanced VX doit connaître la position actuelle de sa vis sans fin, pour s'en servir comme point de référence lors de la lecture d'une erreur enregistrée. Ensuite, vous devez guider à l'aide d'un autoguideur pendant 10 minutes, temps pendant lequel le système enregistre les corrections que vous effectuez. (Le temps de révolution complet de la vis sans fin est de 10 minutes). Cela « enseigne » à la puce PEC les caractéristiques de la vis sans fin. L'erreur périodique de la vis sans fin sera enregistrée dans la puce PEC et utilisée pour la correction d'erreur périodique. La dernière étape est de rejouer les corrections effectuées pendant la phase d'enregistrement. Gardez cependant à l'esprit que cette fonctionnalité est conçue pour l'astroimagerie avancée, et que le guidage doit toujours être effectué avec précautions car tous les engrenages du télescope comportent des erreurs périodiques.

Utilisation de la Correction d'erreur périodique

Une fois que le télescope a été correctement aligné polairement, sélectionnez PEC depuis le menu Utilitaires et sélectionnez options d'enregistrement. Voici comment utiliser la fonction PEC :

1. Trouvez une étoile brillante relativement proche de l'objet à prendre en photo.

2. Insérez l'autoguideur dans le support d'oculaire de votre télescope. Orientez le guideur de manière à ce que l'axe du capteur soit parallèle à l'axe de déclinaison pendant que l'autre est parallèle à l'axe R.A.
3. Effectuez la mise au point du télescope puis étudiez le mouvement périodique.
4. Branchez le câble de l'autoguideur dans le port du panneau électronique de la monture.
5. Pour commencer votre enregistrement de l'erreur périodique de la monture, appuyez sur MENU puis sélectionnez PEC dans le menu des Utilitaires. Utilisez les touches de défilement HAUT/BAS pour sélectionner l'option Enregistrement et appuyez sur ENTRÉE. Une fois prêt à enregistrer, appuyez sur ENTRÉE de nouveau. Le système commencera l'enregistrement après 5 secondes. Lors de la première session d'observation enregistrée pour la PEC ou si lecture est sélectionnée, la vis sans fin doit effectuer une rotation pour marquer son point de départ. Si la rotation de la vis sans fin décentre votre étoile guide hors de l'oculaire, alors un recentrage sera nécessaire.

Remarque : une fois la vis sans fin indexée, elle ne devra pas être repositionnée jusqu'au prochain allumage du télescope. Pour vous donner plus de temps pour le guidage, il pourrait être nécessaire de relancer l'enregistrement PEC après que l'indexe de vis sans fin a été trouvé.

6. Après 10 minutes, PEC arrêtera l'enregistrement automatiquement.
7. Pointez le télescope dans la direction de l'objet à prendre en photo et centrez l'étoile guide dans le viseur illuminé. Vous êtes maintenant prêt à rejouer la Correction d'erreur périodique.
8. Une fois l'erreur périodique enregistrée, utilisez la fonction Lecture pour commencer à rejouer la correction pour guidage d'imagerie futur. Si vous souhaitez réenregistrer l'erreur périodique, sélectionnez Enregistrez et effectuez le processus d'enregistrement de nouveau. Les informations précédemment enregistrées seront effacées. Répétez les étapes 7 et 8 pour lire les corrections PEC pour le prochain objet.

La fonction PEC rend-elle l'astroimagerie non guidée possible? Oui et non. Pour l'observation solaire (avec filtre), lunaire et attachée (jusqu'à 200 mm), la réponse est oui. Mais, même avec PEC, l'autoguidage est nécessaire pour les expositions longues et l'astroimagerie du ciel profond.

Annexe A – Caractéristiques techniques de la monture Advanced VX

Capacité de charge (contrepois non inclus)	30 lb (13,5 Kg)
Système de monture de tube optique	Double chevalet
Bloc de commande électronique	Contrôle manuel NexStar+ avec écran LCD et 19 touches rétroéclairées par DEL et fibres optiques
Base de données	Plus de 40 000 objets et 100 objets personnalisés, programmables par l'utilisateur. Informations supplémentaires sur plus de 200 objets
Vitesses de rotation	Neuf vitesses de rotation, 4 deg/sec maximum
Modes de suivi	EQ Nord, EQ Sud et désactivé
Taux de suivi	Sidéral, lunaire et solaire
Procédures d'alignement	Alignement deux étoiles, alignement rapide, alignement une étoile, dernier alignement et alignement sur système solaire
Type de moteur	Servo-moteurs CC faible engrenage avec encodeurs sur chaque axe
Alimentation	CC 12 V 3,5 A (de type positif)
Plage de latitude	7 à 77 degrés
PEC	Oui, programmable de manière permanente
GPS	Accessoire GPS SkySync optionnel
Système de compensation de rebond	Oui
Horloge temps réel interne	Oui
Ports disponibles	2 ports AUX, un port Autoguideur et un port RS-232 (sur le contrôle manuel)
Définition de cercles	Non
Lunette d'axe polaire	Facultatif
Longueur de la barre de contrepois	12" (30,5 cm)
Diamètre de la barre de contrepois	0.75" (1,9 cm)
Trépied	Réglable, en acier inoxydable
Diamètre des jambes du trépied	2.0" 5 cm
Plage de hauteur du trépied	44" à 64" (111 à 162 cm)
Poids avec trépied	18 lb (8 kg)
Poids de la tête équatoriale	17 lb (7,7 kg)
Poids du contrepois	1 x 12 lb (1x 5,5 Kg)
Poids total du kit télescope	47 lb (21,3 kg)

Garantie Limitée de 2 ans de Celestron

A. Celestron garanti que votre produit est libre de défauts de matériaux et de fabrication pour une période de deux ans. Celestron réparera ou remplacera ce produit ou une partie de celui-ci lorsqu'il a été déterminé, lors d'une inspection par Celestron, que le produit est défectueux en raison d'un défaut de matériaux ou de fabrication. Comme condition à l'obligation de Celestron de réparer ou remplacer un tel produit, le produit doit être retourné à Celestron avec la preuve d'achat satisfaisante pour Celestron.

B. Un numéro d'autorisation de retour valide doit être obtenu de Celestron avant le renvoi. Veuillez envoyer votre demande au centre de support technique en ligne de Celestron à l'adresse <https://www.celestron.com/pages/technical-support> pour recevoir le numéro à afficher à l'extérieur de votre conteneur d'expédition.

Tous les retours doivent être accompagnés d'une déclaration écrite indiquant le nom, l'adresse et le numéro de téléphone de jour du propriétaire, ainsi qu'une brève description des prétendus défauts. Les pièces ou le produit ayant été l'objet d'un remplacement deviendront la propriété de Celestron.

Le client sera responsable de tous les frais de transport et d'assurance, à la fois vers et depuis l'usine de Celestron, et devra payer à l'avance ces coûts.

Celestron fera des efforts raisonnables pour réparer ou remplacer tout produit couvert par cette garantie dans les trente jours suivant sa réception. Dans le cas où une réparation ou un remplacement nécessitera plus de trente jours, Celestron en avisera le client en conséquence. Celestron se réserve le droit de remplacer tout produit qui a été retiré de sa gamme de produits disponibles avec un nouveau produit ayant une valeur et des fonctions équivalentes.

Cette garantie sera nulle et sans effet dans le cas où la conception ou la fonction d'un produit couvert a été modifiée, ou lorsque le produit a été soumis à un usage abusif, à de mauvaises manipulations ou à une réparation non autorisée. En outre, une défaillance ou une détérioration du produit due à l'usure normale n'est pas couverte par cette garantie.

CELESTRON DÉCLINE TOUTE GARANTIE, EXPRESSE OU IMPLICITE, DE QUALITÉ MARCHANDE OU D'ADAPTATION À UN USAGE PARTICULIER, À MOINS DE DISPOSITIONS EXPRESSES DANS CE DOCUMENT. LA SEULE OBLIGATION DE CELESTRON EN VERTU DE CETTE GARANTIE LIMITÉE SERA DE RÉPARER OU REMPLACER LE PRODUIT COUVERT, EN CONFORMISTE AVEC LES DISPOSITIONS DE CE DOCUMENT. CELESTRON DÉCLINE TOUTE RESPONSABILITÉ POUR TOUTE PERTE DE PROFITS, TOUT DOMMAGE GÉNÉRAL, PARTICULIER OU INDIRECT POUVANT RÉSULTER DE LA VIOLATION DE TOUTE GARANTIE, OU EN RAISON DE L'UTILISATION DE, OU DE L'INCAPACITÉ À UTILISER, UN PRODUIT CELESTRON. TOUTE GARANTIE IMPLICITE QUI EST ET QUI NE PEUT ÊTRE DÉCLINÉE SERA LIMITÉE À UNE DURÉE DE DEUX ANS À PARTIR DE LA DATE D'ACHAT INITIALE.

Certains états ou certaines provinces ne permettent pas l'exclusion ou la limitation des dommages accessoires ou indirects ou une limitation sur la durée d'une garantie implicite, alors dans ces cas les limitations et exclusions susmentionnées pourraient ne pas s'appliquer à vous.

Cette garantie vous donne des droits légaux spécifiques, et vous pouvez également avoir d'autres droits qui varient d'un état ou d'une province à l'autre. Celestron se réserve le droit de modifier ou de cesser la production de tout modèle ou style de produit, et cela sans préavis. En cas de problème de garantie ou si vous avez besoin d'aide pour utiliser votre produit, visitez le centre de support technique de Celestron à l'adresse <https://www.celestron.com/pages/technical-support>.

NOTE : Cette garantie est valable pour les clients américains et canadiens qui ont acheté ce produit auprès d'un revendeur autorisé Celestron aux États-Unis ou au Canada. La garantie en dehors des É.-U. et du Canada n'est valable que pour les clients ayant acheté le produit d'un distributeur international de Celestron ou d'un distributeur agréé dans le pays en question. Veuillez communiquer avec eux pour toute réparation sous garantie.



Remarque relative à la FCC : Cet équipement a été testé et jugé conforme aux limites établies pour un dispositif numérique de classe B, conformément à la partie 15 de la réglementation FCC. Ces limites sont conçues pour fournir une protection raisonnable contre les interférences nuisibles dans une installation résidentielle. Cet équipement génère, utilise et peut émettre une énergie de fréquences radio et, s'il n'est pas installé et utilisé conformément aux instructions, peut causer des interférences nuisibles aux communications radio. Cependant, il n'y a aucune garantie que des interférences ne se produiront pas dans une installation particulière. Si cet équipement génère des interférences nuisibles à la réception de programmes de radio ou de télévision, ce qui peut être déterminé en allumant et éteignant l'équipement, l'utilisateur est encouragé à essayer de corriger l'interférence à l'aide de l'une ou de plusieurs des mesures suivantes :

- Réorientez ou déplacez l'antenne de réception.
- Augmentez la distance séparant l'équipement et le récepteur.
- Branchez l'équipement dans une prise de courant faisant partie d'un circuit différent de celui sur lequel le récepteur est branché.
- Consultez le distributeur ou un technicien radio ou TV d'expérience pour de l'assistance.

La conception et la spécification du produit peuvent être modifiées sans préavis.

Ce produit a été conçu à l'intention des utilisateurs âgés de 14 ans et plus.

© 2019 Celestron • Tous droits réservés
[celestron.com/pages/technical-support](https://www.celestron.com/pages/technical-support)
2835 Columbia Street • Torrance, CA 90503 U.S.A.
Imprimé en Chine





CELESTRON®

AVX
ADVANCED VX
SERIE

BEDIENUNGSANLEITUNG FÜR DIE MODELLE:

#91519- Advanced VX-Montierung
#32054- Advanced VX 6" Newton-Teleskop
#32062- Advanced VX 8" Newton-Teleskop
#22020- Advanced VX 6" Refraktor Teleskop
#12025- Advanced VX 5" Schmidt-Cassegrain Teleskop

#12079- Advanced VX 6" Schmidt-Cassegrain Teleskop
#12026- Advanced VX 8" Schmidt-Cassegrain Teleskop
#12046- Advanced VX 9.25" Schmidt-Cassegrain Teleskop
#12067- Advanced VX 11" Schmidt-Cassegrain Teleskop
#12031- Advanced VX 8" EdgeHD Teleskop

INHALTSVERZEICHNIS

Einleitung	3
Montierungen des Advanced VX	4
Aufbau	5
Computergesteuerte Handsteuerung	10
Objektkatalog.	14
Schwenken zu einem Objekt	14
Hauptmenübaum des Advanced VX	21
Aufsetzen der Teleskoptuben.	22
Aufsetzen des Refraktors	24
Aufsetzen des Newtonschen Reflektors	24
Die EdgeHD- und Schmidt-Cassegrain-Teleskoptuben aufsetzen	25
Justieren des Suchfernrohrs	27
Polausrichtung der Montierung	27
Anhang A – technische Daten der Advanced VX-Montierung	30
Zweijährige eingeschränkte garantie von Celestron.	31

Einleitung

Herzlichen Glückwunsch zum Kauf der Advanced VX-Teleskopmontierung von Celestron. Die parallaktische Montierung des Advanced VX besteht aus hochwertigen Materialien, um Stabilität und Langlebigkeit zu gewährleisten. Das Ergebnis: ein Teleskop, das Ihnen bei minimalem Wartungsaufwand ein Leben lang Freude macht.

Des Weiteren ist die Advanced VX-Montierung sehr vielseitig – sie passt sich Ihnen an, während sich Ihre Interessen von der astronomischen Beobachtung zur Astrofotografie weiterentwickeln.

Wenn Sie Neuling auf dem Gebiet der Astronomie sind, empfehlen wir, anfangs die integrierte Himmelstour-Funktion zu verwenden, die das Teleskop so steuert, dass Sie die interessantesten Objekte im Himmel finden und automatisch auf diese schwenken. Wenn Sie ein erfahrener Anwender sind, werden Sie die umfassende Datenbank mit über 40.000 Objekten zu schätzen wissen, einschließlich der benutzerdefinierten Listen der besten Deep-Sky-Objekte, hellen Doppel- sowie variablen Sterne. Doch es kommt nicht auf Ihre Erfahrung an – das Advanced VX macht es Ihnen und Ihren Freunden leicht, die Wunder des Universums zu erkunden.

Einige Merkmale des Advanced VX:

- High-Torque-Motor für den reibungslosen Antrieb bei hoher Beanspruchung
- Permanent programmierbare periodische Fehlerkorrektur (PEC) für verbesserte Nachführung
- Spezieller Autoguider-Anschluss für Korrekturen bei der Astrofotografie
- Große, leicht bedienbare Knöpfe zur PolhöhenEinstellung für schnelle und akkurate Bewegungen
- Ergonomisches Design aus kompakten und leicht transportierbaren Einzelteilen
- Datenbank-Filtergrenzen für das Erstellen benutzerdefinierter Objektlisten
- Speicherung von programmierbaren, benutzerdefinierten Objekten
- Und viele andere Hochleistungsmerkmale!

Die Advanced VX-Montierung bietet Hobbyastronomen die gehobensten und am leichtesten bedienbaren Teleskope auf dem aktuellen Markt.

Nehmen Sie sich die Zeit, dieses Handbuch durchzulesen, bevor Sie mit der Erkundung des Universums beginnen. Vielleicht benötigen Sie einige Beobachtungssessions, um sich mit Ihrem Teleskop vertraut zu machen. Halten Sie dieses Handbuch daher griffbereit, bis Sie die Bedienung Ihres Teleskops meistern. Die Handsteuerung verfügt über eingebaute Befehle, um Sie durch alle Einstellprozeduren zu führen und mit deren Hilfe Ihr Teleskop in Minuten startklar ist. Verwenden Sie dieses Handbuch in Verbindung mit der Bildschirm-Anleitung der Handsteuerung. Das Handbuch enthält detaillierte Informationen zu allen Bediensritten sowie das erforderliche Referenzmaterial und nützliche Hinweise, mit denen Sie Ihr Beobachtungserlebnis so einfach und angenehm wie möglich gestalten können.

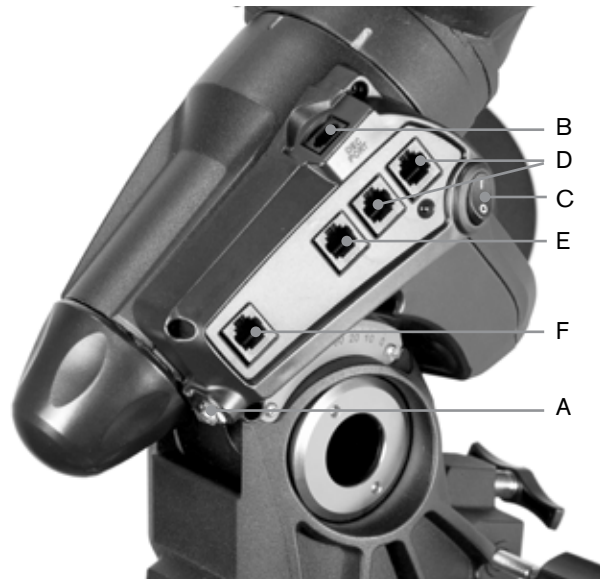
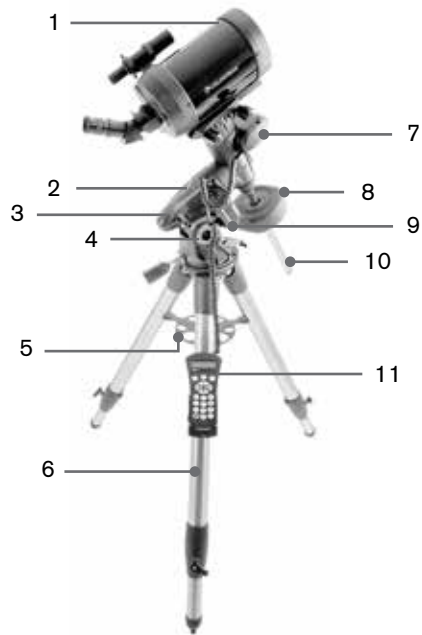
Ihr Teleskop wurde so entworfen, dass es Ihnen jahrelang Freude bei interessanten Beobachtungen macht. Sie müssen jedoch vor der Verwendung Ihres Teleskops einige Gesichtspunkte beachten, um Ihre Sicherheit und den Schutz Ihres Instruments zu gewährleisten.



⚠️ **Warnung**

- Schauen Sie weder mit bloßem Auge noch durch ein Teleskop direkt in die Sonne (es sei denn, Sie verfügen über den korrekten Sonnenfilter). Sie könnten permanente und irreversible Augenschäden davontragen.
- Das Teleskop keinesfalls zur Projektion eines Bildes der Sonne auf eine Oberfläche verwenden. Durch die interne Wärmeakkumulation können das Teleskop und etwaiges daran angeschlossenes Zubehör beschädigt werden.
- Niemals einen Okularsonnenfilter oder einen Herschelkeil verwenden. Die interne Wärmeakkumulation im Teleskop kann zu Rissen oder Brüchen dieser Instrumente führen. Dadurch könnte ungefiltertes Sonnenlicht ins Auge gelangen.
- Das Teleskop niemals unbeaufsichtigt lassen. Sicherstellen, dass ein mit der korrekten Bedienung Ihres Teleskops vertrauter Erwachsener ständig präsent ist, besonders in der Anwesenheit von Kindern.

Advanced VX-Montierung (Advanced VX mit 5-Zoll-Schmidt-Cassegrain-Teleskoptubus)



1	Teleskoptubus
2	Bedienfeld
3	Parallaktische Montierungen des Advanced VX
4	Breitengrad-Einstellskala
5	Stativ-Mittelsäule/Zubehörablage
6	Stativ
7	DEK-Motorgehäuse
8	Gegengewicht
9	RA-Motorgehäuse
10	Gegengewichtsstange
11	Handsteuerung

	BEDIENFELD
A	Stromanschluss
B	DEK-Motoranschluss
C	Netzschalter
D	Hilfsanschlüsse
E	Handsteuerungsanschluss
F	Autoguider-Anschluss

Aufbau

Dieser Abschnitt enthält die Anleitung zum Zusammenbau der Advanced VX-Montierung von Celestron. Im Lieferumfang Ihrer Montierung sollte Folgendes enthalten sein:

- Parallaktische Achse
- Stativ
- Zubehörablage
- Gegengewichtsstange mit Feststellmutter
- Azimut-Einstellschrauben (2 x)
- Handsteuerung
- Handsteuerungshalterung (2 Stück)
- Deklinationsmotorkabel
- Autobatterie-Adapterkabel
- Gegengewicht

Wenn Sie Ihre Advanced VX-Montierung separat erworben haben, sollte im Lieferumfang ein Gegengewicht enthalten sein. Wenn Sie eine Advanced VX-Montierung als Set erworben haben, könnte dieses, je nach Teleskop-
tubus im Set, ein oder zwei zusätzliche Gegengewichte umfassen. Diese Gegengewichte finden Sie in separaten Verpackungen. Weitere Informationen finden Sie im Handbuch unter dem Abschnitt über den Gebrauch Ihres Teleskop-
tubus.

Nehmen Sie alle Einzelteile aus deren Verpackung und legen Sie sie auf eine flache, saubere Arbeitsfläche. Eine großzügige Bodenfläche ist ideal. Beim Zusammenbau Ihrer Celestron-Montierung beginnen Sie mit dem Stativ und arbeiten Sie sich nach oben. Diese Anleitung wurde in der Reihenfolge verfasst, in der jeder Schritt ausgeführt werden muss.

Aufbau des Stativs

Das Stativ des Advanced VX schließt eine Mittelsäule/Zubehörablage aus Metall ein, um der Montierung hundertprozentige Stabilität zu verleihen.

Das Stativ wird vollständig montiert geliefert und enthält eine Metallplatte, den sogenannten Stativkopf, der die Beine oben zusammenhält. Darüber hinaus ist die parallaktische Montierung an einer Mittelsäule befestigt, die vom Stativkopf aus abwärts verläuft. Das Stativ aufbauen:

1. Stellen Sie das Stativ aufrecht hin und ziehen Sie die Stativbeine nach außen, bis alle Beine vollständig ausgezogen sind. Das Stativ bleibt nun selbstständig stehen.
2. Zur Höhenjustierung der Beine den Hebel an jeder Beinunterseite gegen den Uhrzeigersinn losdrehen.
3. Ziehen Sie jedes Bein auf die gewünschte Länge aus und arretieren Sie es, indem Sie den Hebel im Uhrzeigersinn drehen. Vergewissern Sie sich, dass die Hebel fest angezogen sind, damit die Beine nicht versehentlich nach innen gleiten, wenn Gewicht auf das Stativ kommt.

Die Azimut-Einstellknöpfe anbringen

Für einen sicheren Transport Ihrer Advanced VX-Montierung wurden die Azimut-Einstellknöpfe von der Montierung entfernt und müssen nun angebracht werden.

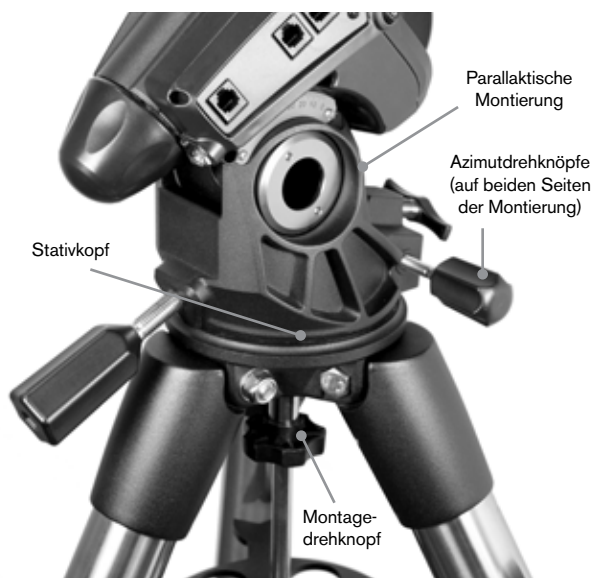
Bevor die Montierung an das Stativ montiert wird:

1. Nehmen Sie die Azimut-Einstellknöpfe aus der Packung mit der parallaktischen Achse des Advanced VX.
2. Drehen Sie je einen Knopf in jede Bohrung an jeder Seite der Montierung.
3. Drehen Sie die Knöpfe nur bis zur Hälfte hinein und lassen Sie ausreichend Platz für die Justierstifte des Stativs, die zwischen die beiden Schraubenspitzen passen müssen.

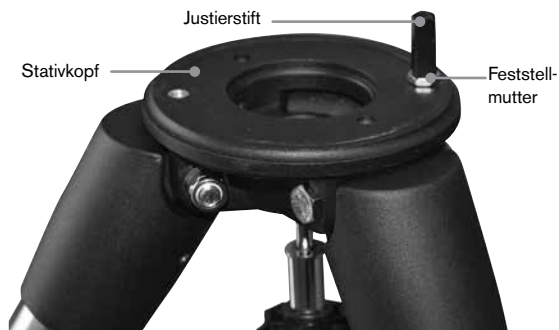
Aufsetzen der parallaktischen Montierung

Die parallaktische Montierung ermöglicht Ihnen, die Rotationsachse des Teleskops zu neigen, sodass Sie die Sterne nachführen können, während diese über den Himmel wandern. Seitlich am Stativkopf befindet sich ein Justierstift aus Metall, mit dem die Montierung ausgerichtet wird. Diese Stativseite zeigt später für eine astronomische Beobachtungssession nach Norden. Die parallaktische Achse anbringen:

1. Lokalisieren Sie die Azimut-Einstellschrauben an der parallaktischen Montierung.
2. Drehen Sie die Azimut-Einstellschrauben so weit heraus, dass diese nicht länger in das Azimutgehäuse der Montierung hineinragen. **Nehmen Sie die Schrauben NICHT ab, da sie später für die Einstellung der Polhöhe benötigt werden.**
3. Halten Sie die parallaktische Montierung über den Stativkopf, sodass sich das Azimutgehäuse über dem Metallstift befindet.
4. Setzen Sie die parallaktische Montierung bündig auf den Stativkopf.
5. Drücken Sie den Drehknopf auf der Mittelsäule an der Unterseite des Stativkopfes nach oben und drehen Sie ihn im Uhrzeigersinn, um die parallaktische Montierung zu arretieren.



Bei Ihrem Advanced VX ist der Justierstift bereits installiert, sodass Polachse und Gegengewichtsstange zwischen den beiden Stativbeinen herausragen. Der Justierstift kann auf Wunsch neu positioniert werden, damit die Gegengewichtsstange direkt über einem Stativbein herausragt. Dies ist eine Frage der persönlichen Vorliebe und hat keinen Einfluss auf die Stabilität der Montierung. Für Beobachtungen auf niedrigen Breiten mag der Justierstift vorzugsweise zwischen den Beinen belassen werden, damit das Gegengewicht am niedrigsten Punkt der Schwenkbewegung nicht an das Stativbein stößt. Positionswechsel des Justierstifts:



1. Benutzen Sie einen Schraubenschlüssel, um den Justierstift in Position zu halten, während Sie mit einem weiteren Schraubenschlüssel die Feststellmutter unterhalb des Justierstifts lösen.
2. Sobald die Mutter gelöst ist, können Sie den Justierstift herunterdrehen und ihn in das Gewinde auf der entgegengesetzten Seite des Stativkopfes versetzen.
3. Drehen Sie den Stift bis zum Anschlag hinein und anschließend soweit zurück, dass die flachen Seiten des Justierstifts rechtwinklig zum Stativ ausgerichtet sind.
4. Halten Sie den Stift mithilfe eines Schraubenschlüssels in dieser Position, während Sie mit einem weiteren Schraubenschlüssel die Feststellmutter gegen den Stativkopf festziehen.
5. Montieren Sie die parallaktische Achse wie oben beschrieben.

Anbringen der Zubehörablage

Die Advanced VX-Montierung enthält eine Zubehörablage mit speziell für Okulare der Größen 1,25 und 2 Zoll angefertigten Bohrungen. Die Zubehörablage fungiert auch als Stativbeinspanner und gibt der Montierung zusätzliche Stabilität. Installation der Ablage:

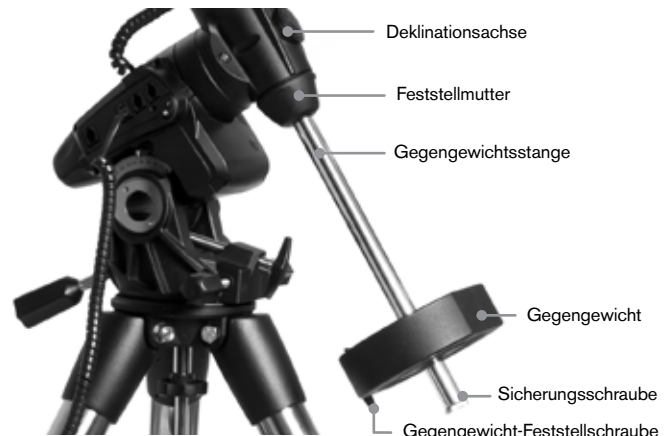
1. Nehmen Sie Mutter und Unterlegscheibe vom unteren Seitenbereich der Stativ-Mittelsäule ab.
2. Schieben Sie die Zubehörablage über die Mittelsäule, sodass jeder Ablagearm gegen die Innenseiten der Stativbeine drückt.
3. Nun den Drehknopf der Zubehörablage auf die Mittelsäule schrauben und festdrehen.



Installation der Gegengewichtsstange

Die Montierung ist zum richtigen Ausbalancieren mit einer Gegengewichtsstange und (je nach Modell) mit mindestens einem Gegengewicht ausgestattet. Installation der Gegengewichtsstange:

1. Nehmen Sie Gegengewichtsstange und Feststellmutter aus der Verpackung der parallaktischen Achse. Die Feststellmutter sollte bereits auf das Ende der Gegengewichtsstange geschraubt sein.
2. Suchen Sie die Bohrung in der parallaktischen Montierung auf der Deklinationsachse und schrauben Sie die Gegengewichtsstange in die Bohrung, bis sie arretiert ist.
3. Ziehen Sie die Feststellmutter der Gegengewichtsstange vollständig an.



Sobald die Stange in ihrer Position gesichert ist, kann das Gegengewicht angebracht werden.

Beobachtungstipp: Da das vollständig zusammengebaute Teleskop recht schwer sein kann, empfehlen wir, die Polachse bereits nach Norden auszurichten, bevor der Teleskopzylinder sowie die Gegengewichte angebracht werden. Dies macht die PolhöhenEinstellung bedeutend einfacher.

Anbringen des Gegengewichts

Anbringen des/der Gegengewicht(e), die mit Ihrer Montierung oder dem Teleskopset mitgeliefert wurden:

1. Richten Sie die Montierung so aus, dass die Gegengewichtsstange Richtung Boden zeigt.
2. Entfernen Sie die Sicherungsschraube des Gegengewichts am unteren Ende der Gegengewichtsstange, indem Sie diese gegen den Uhrzeigersinn drehen. Diese Schraube verhindert, dass das Gegengewicht von der Montierung fällt, falls sich die Sicherungsschraube des

Gegengewichtes lösen sollte.

3. Lösen Sie die Sicherungsschraube seitlich am Gegengewicht.
4. Schieben Sie das Gegengewicht auf die Gegengewichtsstange, bis es sich auf halber Höhe befindet.
5. Ziehen Sie die Sicherungsschraube seitlich am Gegengewicht an, um es zu arretieren.
6. Bringen Sie nun die Sicherungsschraube des Gegengewichts wieder an.

Tipp: Die Bohrung in der Mitte Ihres Gegengewichts ist an einer Seite etwas größer. Wenn Sie das Gegengewicht auf die Gegengewichtsstange schieben, bitte sicherstellen, dass die kleinere Bohrung in Richtung des parallaktischen Kopfes zeigt. Dadurch ist es Ihnen möglich, das Gegengewicht über die Sicherungsschraube am unteren Ende der Gegengewichtsstange zu schieben, falls Sie aufgrund von weiterem Zubehör, das Sie auf Ihren Teleskoptubus aufsetzen, das Ausbalancieren etwas anpassen müssen. Die kleinere Bohrung verhindert, dass das Gegengewicht vollständig über die Sicherungsschraube geschoben werden kann.

Anbringen der Handsteuerungshalterung

Die Teleskopmodelle des Advanced VX verfügen über eine Handsteuerungshalterung, die an einem Stativbein angebracht ist. Die Handsteuerungshalterung besteht aus zwei Teilen: die Beinklammer, die um das Stativbein herum einrastet und die Halterung, die an der Beinklammer befestigt wird. Anbringen der Handsteuerungshalterung:

1. Legen Sie die Beinklammer gegen das Stativbein und drücken Sie so fest, dass die Klammer um das Bein schnappt.
2. Schieben Sie die Rückseite der Handsteuerungshalterung nach unten in den Kanal an der Vorderseite der Beinklammer, bis auch dieser in Position schnappt.



Einen Teleskoptubus an das Stativ anbringen

Das Teleskop wird mittels einer Schwalbenschwanzführung, die entlang der Unterseite des Teleskoptubus montiert ist, angebracht. Bevor Sie den Teleskoptubus anbringen, bitte sicherstellen, dass die Deklinations- und Rektanzensions-Kupplungsdrehknöpfe festgezogen und das/ die Gegengewicht/e sicher befestigt sind. Dadurch wird gewährleistet, dass sich die Montierung nicht unvermittelt bewegt, während das Teleskop aufgesetzt wird. Anbau des Teleskoptubus:

1. Lösen Sie die beiden Montagesschrauben seitlich an der Teleskop-Montageplatte. Dadurch wird es Ihnen möglich, die Schwalbenschwanzführung auf die Montierung zu schieben.
2. Wenn Ihr Teleskop damit ausgestattet ist, entfernen Sie nun die Sicherungsschrauben unterhalb der Schwalbenschwanzführung.
3. Schieben Sie die Schwalbenschwanzführung auf den Teleskoptubus und in die Montageplatte der Montierung. Schieben Sie das Teleskop soweit, dass sich die Rückseite der Schwalbenschwanzführung der Rückseite der Montageplatte annähert.
4. Ziehen Sie die Montagesschrauben seitlich an der Montageplatte fest, um das Teleskop zu arretieren.

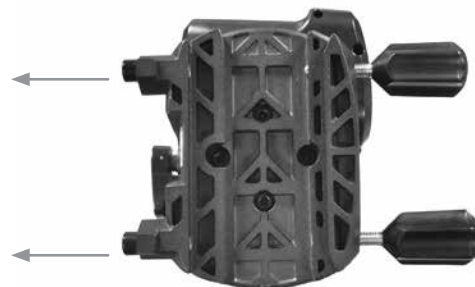
Sobald der Teleskoptubus sicher arretiert ist, kann das optische Zubehör an das Teleskop montiert werden. Dies wird ausführlich im Abschnitt über die Verwendung der optischen Tuben in diesem Handbuch erörtert.



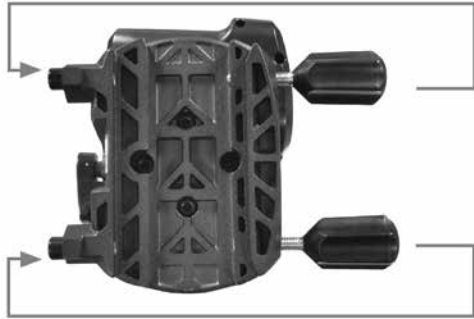
Verwendung der Doppel-Sattelplatte

Ihre moderne VX-Montierung verfügt über eine Doppel-Sattelplatte, mit der Sie jeden optischen Tubus mit einer 1,75 Zoll V-Platte Schwalbenschwanzschiene (Synta, Vixen) oder der breiteren 3 Zoll (75 mm) D-Platten Schwalbenschwanzschiene (CGEM, CGX, CGX-L) verwenden können.

Ihre moderne VX-Montierung sollte bereits für die Verwendung der kleineren V-Platte eingerichtet sein. Um die Montierung für den Einsatz mit der größeren D-Platte umzubauen, entfernen Sie einfach die beiden Schrauben auf der linken Seite der Schwalbenschwanz-Sattelplatte mit einem 6-mm-Inbusschlüssel.



Entfernen Sie die beiden Drehknöpfe und setzen Sie sie in die gerade freigelegten Gewindelöcher ein.



Um die leeren Gewindelöcher sauber zu halten, setzen Sie stets die Innensechskantschrauben in die nicht verwendeten Gewindelöcher ein.

Das Teleskop manuell bewegen

Damit Ihr Teleskop richtig ausbalanciert ist, muss Ihr Teleskop manuell auch verschiedene Himmelsbereiche ausgerichtet werden, um unterschiedliche Objekte zu beobachten. Zur Grobjustierung werden die RA- und DEK-Kupplungsdrehknöpfe leicht gelöst und das Teleskop wird in die gewünschte Richtung bewegt.

Sowohl die RA- als auch die DEK-Achse verfügen über Feststellhebel zum Feststellen jeder Achse auf dem Teleskop. Die Teleskopkupplungen werden gelöst, indem die Feststellhebel gegen den Uhrzeigersinn gedreht werden.

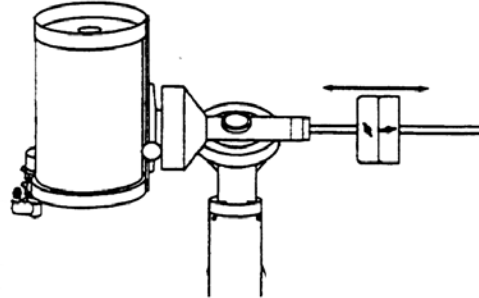


Ausbalancieren der Montierung in der RA-Achse

Um eine ungebührliche Belastung der Montierung zu vermeiden, muss das Teleskop an der Polachse richtig ausbalanciert werden. Ein korrektes Ausbalancieren ist für eine akkurate Nachführung entscheidend. Ausbalancieren der Montierung:

1. Vergewissern Sie sich, dass das Teleskop sicher auf der Teleskop-Montageplatte aufgesetzt ist.
2. Lösen Sie den RA-Feststellhebel und positionieren Sie das Teleskop in Richtung einer Seite der Montierung. Die Gegengewichtsstange wird in die entgegengesetzte Richtung der Montierung horizontal ausgezogen.
3. Lassen Sie das Teleskop – **ALLMÄHLICH** – los, um zu sehen, in welche Richtung sich das Teleskop „neigt“.
4. Lösen Sie die Schrauben seitlich am Gegengewicht, sodass die Länge der Gegengewichtsstange bewegt werden kann.

5. Bewegen Sie die Gegengewichte an einen Punkt, an dem das Teleskop ausbalanciert wird (d. h. es bleibt stehen, wenn die RA-Kupplungsdrehknöpfe gelöst sind).
6. Ziehen Sie die Schraube am Gegengewicht zur sicheren Befestigung an.



Typ: Während die obige Anleitung ein perfektes Ausbalancieren beschreibt, sollten Sie ein **LEICHTES** Ungleichgewicht erzeugen, um die bestmögliche Nachführung zu gewährleisten. Wenn sich das Teleskop auf der Westseite der Montierung befindet, sollte das Gegengewicht ein leichtes Ungleichgewicht in Richtung der Gegengewichtsführung aufweisen. Und wenn sich der Tubus auf der Ostseite der Montierung befindet, sollte ein leichtes Ungleichgewicht in Richtung der Teleskopseite herrschen. Das Schneckengetriebe drückt hierbei gegen eine leichte Last. Das Ungleichgewicht ist nur sehr gering. Bei der Aufnahme von Astrofotos kann dieses Ausbalancieren für spezifische Bereiche ausgeführt werden, auf die das Teleskop zeigt, um die Nachführgenauigkeit weiter zu optimieren.

Ausbalancieren der Montierung in der DEK-Achse

Obwohl die Montierung in der Deklination nicht nachführt, sollte das Teleskop dennoch in dieser Achse ausbalanciert werden, um plötzliche Bewegungen bei gelöstem DEK-Feststellhebel zu vermeiden. Ausbalancieren des Teleskops in der DEK-Achse:

1. Lösen Sie die RA-Kupplungsfeststellhebel und drehen Sie das Teleskop soweit, dass es sich auf einer Seite der Montierung befindet (d. h. wie im vorigen Abschnitt beschrieben unter „Ausbalancieren der Montierung in der RA-Achse“).
2. Arretieren Sie den RA-Feststellhebel, um das Teleskop in seiner Position festzustellen.
3. Lösen Sie den DEK-Kupplungsfeststellhebel und drehen Sie das Teleskop soweit, dass der Tubus parallel zum Boden verläuft.
4. Lassen Sie den Tubus dann – **ALLMÄHLICH** – los, um zu sehen, in welche Richtung er sich um die Deklinationssachse dreht. **LASSEN SIE DEN TELESKOPTUBUS NICHT VOLLSTÄNDIG LOS!**
5. Nun werden die Knöpfe, die das Teleskop an der Montageplatte halten, leicht gelöst, und das Teleskop wird entweder nach vorne oder nach hinten geschoben, bis es bei gelöster DEK-Kupplung stehen bleibt. Lassen Sie den Teleskoptubus **NICHT** los, während der Drehknopf der Montageplatte gelöst ist. Es könnte nötig sein, das Teleskop so zu drehen, dass die Gegengewichtsstange nach unten zeigt, bevor die Schraube der Montageplatte gelöst wird.

6. Drehen Sie die Knöpfe an der Teleskop-Montageplatte fest, um das Teleskop zu arretieren.

Wie beim RA-Ausbalancieren handelt es sich hier um allgemeine Anleitungen zum Ausbalancieren zum Schutz der Montierung vor unnötiger Belastung. Bei der Aufnahme von Astrofotos sollte dieses Ausbalancieren für spezifische Bereiche ausgeführt werden, auf die das Teleskop zeigt.

Justieren der Montierung

Um die genaue Nachführung durch einen Motorantrieb zu ermöglichen, muss die Rotationsachse des Teleskops parallel zur Rotation der Erdachse verlaufen - dieser Vorgang wird Polausrichtung genannt. Die Polausrichtung wird NICHT durch ein Bewegen des Teleskops in der RA- oder DEK-Achse erreicht, sondern indem die Montierung vertikal justiert wird, was in der Höhe oder horizontal bzw. Azimut genannt wird. Dieser Abschnitt befasst sich lediglich mit der korrekten Bewegung des Teleskops während der Polausrichtung. Das tatsächliche Verfahren der Polausrichtung, d. h. der Parallelstellung der Rotationsachse des Teleskops mit der Erdrotationsachse, wird an späterer Stelle in dieser Bedienungsanleitung unter dem Abschnitt „Polausrichtung“ beschrieben.

Höhenjustierung der Montierung

- Um den Breitengrad der Polachse zu erhöhen, wird die hintere Breitereinstellschraube arretiert, damit die vordere Schraube gelöst werden kann.
- Um den Breitengrad der Polachse zu verringern, wird die vordere Breitereinstellschraube arretiert (unterhalb der Gegengewichtsstange), damit die hintere Schraube gelöst werden kann.

Die Breitereinstellung an der Advanced VX-Montierung hat einen Bereich von ca 7° bis 77°.



Es empfiehlt sich, endgültige Höhereinstellungen vorzunehmen, indem die Montierung gegen die Schwerkraft (d. h. unter Verwendung der hinteren Breitereinstellschraube zum Anheben der Montierung) bewegt wird. Hierzu sollten Sie die beiden Breitereinstellschrauben losdrehen und den vorderen Teil der Montierung manuell so weit wie möglich nach unten drücken. Nun wird die hintere Einstellschraube zum Anheben der Montierung auf die gewünschte Breite arretiert.

Azimutjustierung der Montierung

Für Grobjustierungen im Azimut werden Teleskop und Stativ einfach angehoben und versetzt. Feinjustierungen im Azimut:

Drehen Sie an den Azimut-Justierknöpfen auf beiden Seiten des Azimutgehäuses. Wenn Sie hinter dem Teleskop stehen, befinden sich die Knöpfe auf der Vorderseite der Montierung.

- Wird der rechte Justierknopf im Uhrzeigersinn gedreht, bewegt sich die Montierung nach rechts.
- Wird der linke Justierknopf im Uhrzeigersinn gedreht, bewegt sich die Montierung nach links.

Beide Schrauben beeinflussen den Justierstift des Stativkopfs, wodurch Sie eventuell eine Schraube losdrehen und die andere arretieren müssen. Die Schrauben, die der Befestigung der parallaktischen Montierung am Stativ dienen, könnten ebenfalls leicht losgedreht werden müssen.

Bedenken Sie, dass die Justierung der Montierung nur während der Polhöhereinstellung vorgenommen werden kann. Sobald die Polhöhe eingestellt ist, darf die Montierung NICHT mehr bewegt werden. Das Teleskop wird durch Bewegen der Montierung in die Rektaszension sowie die Deklination ausgerichtet, wie in diesem Handbuch an früherer Stelle beschrieben.

Das Deklinationskabel anbringen

Die Advanced VX-Montierung ist mit einem Kabel ausgestattet, welches das elektronische Bedienfeld mit dem Deklinationsmotor verbindet. Anbringen des Motorkabels:

- Schließen Sie ein Ende des Deklinationskabels an den Anschluss namens DEK-Port am Bedienfeld an.
- Das andere Kabelende wird an den Anschluss am Deklinationsmotor angeschlossen.

Das Teleskop antreiben

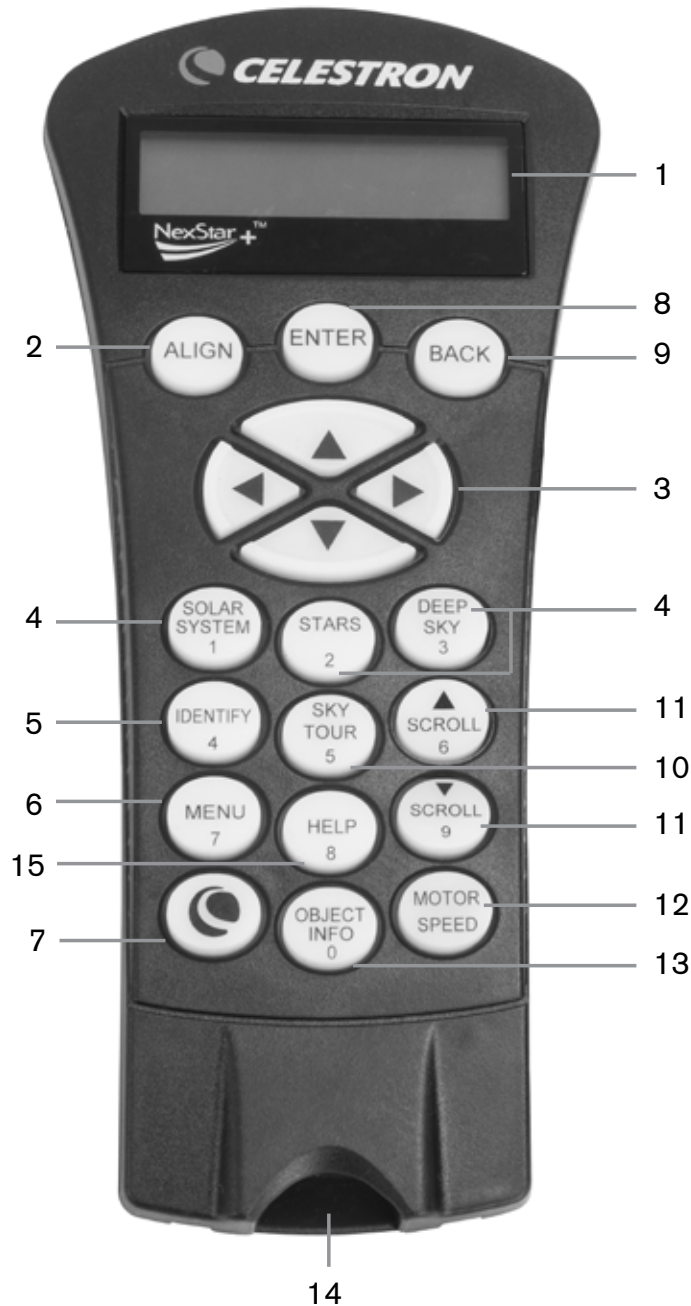
Die Advanced VX-Montierung kann über den mitgelieferten Autobatterieadapter oder optional über einen 12-V-Wechselstromadapter angetrieben werden. Verwenden Sie nur von Celestron bereitgestellte Adapter. Die Verwendung eines anderen Adapters könnte die Elektronik beschädigen und macht Ihre Herstellergarantie ungültig.

1. Das Teleskop wird über den Autobatterieadapter (oder den 12-V-Wechselstromadapter) angetrieben, indem einfach der runde Stecker in die 12-V-Buchse des elektronischen Bedienfeldes und der Stecker des anderen Endes in den Zigarettenanzünder Ihres Autos bzw. an eine transportable Stromversorgung angeschlossen werden.
2. Schalten Sie das Teleskop ein, indem Sie den Schalter am elektronischen Bedienfeld auf die Position „An“ kippen.

Computergesteuerte Handsteuerung

Sie haben eine verbesserte NexStar+ Handsteuerung für Ihr Teleskop erhalten. Die Handsteuerung verfügt nun über einen USB-Anschluss, über den die Verbindung an einen PC mit Steuerungssoftware hergestellt und die Firmware aktualisiert werden kann. Dieses Austauschmodul eignet sich für alle Teleskope mit NexStar+Handsteuerung mit RS-232-Anschluss.

Die Firmware der Handsteuerung kann nun ohne externe Energieversorgung oder Anschluss an die Montierung per USB aktualisiert werden. Schließen Sie für ein Firmware-Update einfach ein Mini-USB-Kabel (nicht enthalten) an den PC und den Steckplatz an der Unterseite der Handsteuerung an und führen Sie den Celestron Firmware Manager (CFM) aus, der kostenfrei auf Celestron.com unter Support erhältlich ist.



1. **LCD-Fenster (Flüssigkristallanzeige):** bestehend aus einem vierzeiligen, 18-Buchstaben-Anzeigebildschirm mit roter Hintergrundbeleuchtung für eine angenehme Anzeige der Teleskopdaten und des scrollbaren Textes.
2. **Ausrichten:** weist die Handsteuerung an, die Ausrichtung Ihres Teleskops zu starten.
3. **Richtungstasten:** ermöglichen die vollständige Steuerung der Advanced VX-Montierung in alle Richtungen. Verwenden Sie die Richtungstasten zur Zentrierung von Objekten im Okular oder um das Teleskop manuell zu schwenken.
4. **Katalogtasten:** das Advanced VX verfügt über eine Taste auf der Handsteuerung, die direkten Zugriff auf jeden Hauptkatalog in der 40.000 Objekte umfassenden Datenbank ermöglicht. Die Datenbank Ihres Teleskops enthält folgende Kataloge:
 - Sonnensystem – alle 7 Planeten unseres Sonnensystems sowie Mond, Sonne und Pluto.
 - Sterne – benutzerdefinierte Listen der hellsten Sterne, Doppelsterne, variablen Sterne und Asterismen.
 - Deep Sky (extrasolarer Himmel) – benutzerdefinierte Listen der schönsten Galaxien, Nebel und Cluster sowie die kompletten Messier- und NGC-Objekte.
5. **Identifizieren:** durchsucht die Datenbank des Advanced VX und zeigt die Namen und die Offset-Entfernungen zu den nächstgelegenen passenden Objekten an.
6. **Menü:** zeigt viele Setup- und Utility-Funktionen an, wie Nachführgeschwindigkeit, benutzerdefinierte Objekte und Vieles mehr.
7. **Option (Celestron-Logo):** kann in Kombination mit anderen Tasten verwendet werden, um auf fortgeschrittene Eigenschaften und Funktionen zuzugreifen.
8. **Enter:** das Drücken der ENTER-Taste ermöglicht die Auswahl einer beliebigen Funktion des Advanced VX, akzeptiert eingegebene Werte und schwenkt das Teleskop auf angezeigte Objekte.
9. **Zurück:** durch Drücken auf **ZURÜCK** verlassen Sie das aktuelle Menü, und die vorige Ebene des Menüpfads wird angezeigt. Wiederholtes Drücken auf **ZURÜCK** lässt Sie zum Hauptmenü zurückkehren oder löscht versehentlich eingegebene Daten.
10. **Himmelstour:** aktiviert den Tour-Modus, der die interessantesten Objekte im Himmel findet und das Advanced VX automatisch auf diese Objekte ausrichtet.
11. **Scrolltasten:** diese Tasten dienen zum Aufwärts- und Abwärtsscrollen in den Menülisten. Ein Doppelpfeilsymbol auf der rechten Seite des LCD zeigt an, dass die Scrolltasten verwendet werden können, um zusätzliche Informationen anzuzeigen.
12. **Motordrehzahl:** schwenkt das Teleskop schneller oder langsamer, wenn die Richtungstasten gedrückt werden.
13. **Objekt-Info:** zeigt Koordinaten und andere wissenswerte Informationen über Objekte, die aus der Advanced VX-Datenbank ausgewählt wurden, an.
14. **Mini-USB-Port (Kabel nicht enthalten):** ermöglicht den Anschluss Ihres Teleskops an einen Computer, um diesen zusammen mit Softwareprogrammen zur Punkt- und Klick-Schwenkbarkeit sowie zum Aktualisieren der Firmware über den PC zu verwenden.
15. **Hilfe-Menü:** in zukünftigen Firmware Updates wird diese Taste Hinweise zur Problembearbeitung geben. Zur Zeit dient diese Taste als Kurzwahltaste zum bequemen Aufrufen des Messier-Katalogs.

Handsteuerungsbetrieb

Dieser Abschnitt beschreibt die wesentlichen Bedienschritte der Handsteuerung für alle computergesteuerten Celestron-Teleskope. Diese Bedienschritte werden in drei Kategorien eingeteilt: Ausrichtung, Setup und Utility. Der Abschnitt Ausrichtung behandelt die anfängliche Teleskopausrichtung sowie das Auffinden von Objekten im Himmel. Der Abschnitt Setup erörtert das Ändern von Werten, wie z. B. den Nachführmodus und die Nachführgeschwindigkeit. Schließlich behandelt der letzte Abschnitt alle Utility-Funktionen, wie z. B. die Kalibrierung Ihrer Montierung, die Polausrichtung sowie die Kompensation des Getriebeispiels.

Die Ausrichtung vornehmen

Damit das Teleskop präzise auf Objekte im Himmel zeigen kann, muss es zuerst auf bekannte Positionen (Sterne) am Himmel ausgerichtet werden. Mit diesen Daten kann das Teleskop ein Modell des Himmels erstellen, das dann zur Lokalisierung von Objekten mit bekannten Koordinaten verwendet wird. Es gibt viele Möglichkeiten, Ihr Teleskop am Himmel auszurichten; diese hängen davon ab, welche Daten der Benutzer bereitstellen kann:

- Die **Zweisternausrichtung** verwendet die gesamten eingegebenen Zeit-/Standortdaten und ermöglicht dem Benutzer, zu entscheiden, auf welche beiden Ausrichtungssterne das Teleskop automatisch schwenken soll.
- Die **Einsternausrichtung** verwendet die gleichen Zeit-/Standortdaten, nutzt jedoch nur einen Stern zur Ausrichtung.
- Die **Sonnensystem-Ausrichtung** zeigt eine Liste sichtbarer Tagesobjekte an (Planeten sowie den Mond), die für die Ausrichtung des Teleskops zur Verfügung stehen.
- Die **Schnell-Ausrichtung** fordert Sie zur Eingabe derselben Daten auf, die auch für die Zweisternausrichtung nötig wären. Das Teleskop überspringt jedoch das Schwenken auf den Ausrichtungsstern zur Zentrierung und Ausrichtung und modelliert den Stern einfach aufgrund der vorhandenen Daten.
- Bei der **Letzten Ausrichtung** wird Ihre zuletzt gespeicherte Sternausrichtung und Schwenkposition wiederhergestellt. Die Letzte Ausrichtung bietet auch einen guten Schutz, falls das Teleskop von der Stromversorgung abgeschnitten wird.

Erste Schritte

Bevor eine der beschriebenen Ausrichtungen ausgeführt wird, muss die Advanced VX-Montierung so aufgestellt werden, dass die Indexmarkierungen bündig zur Rektaszensions- und Deklinationsachse stehen. Sobald die Indexposition erreicht ist, zeigt die Handsteuerung die zuletzt eingegebenen Datums- und Uhrzeitinformationen an, die in der Handsteuerung gespeichert wurden.

1. Drücken Sie auf ENTER, um mit der Ausrichtung zu beginnen.
2. Die Handsteuerung fordert den Benutzer dazu auf, die Montierung in die Indexposition zu bringen. Bewegen Sie die Teleskopmontierung entweder manuell oder mithilfe der Handsteuerung, bis die Indexmarkierungen von RA und DEK bündig sind. Drücken Sie zum Fortfahren auf ENTER.
 - Die Handsteuerung zeigt nun die zuletzt eingegebenen Daten zu Uhrzeit, Zeitzone und Datum an.
 - Benutzen Sie die Aufwärts-/Abwärts-Tasten (10), um die aktuellen Werte anzuzeigen.

- Übernehmen Sie die Werte durch Drücken auf ENTER.
 - Auf ZURÜCK drücken, um aktuelle Daten über Datum, Uhrzeit und Standort in die Handsteuerung einzugeben.
3. Folgende Angaben werden angezeigt:
- **Standort** – Die Handsteuerung zeigt eine Auswahlliste von Städten an. Wählen Sie die Stadt aus der Datenbank aus, die Ihrer aktuellen Beobachtungsposition am nächsten ist. Die von Ihnen ausgewählte Stadt wird in der Handsteuerung gespeichert, sodass diese bei der nächsten Ausrichtung automatisch angezeigt wird. Wenn Sie andererseits die exakten Längen- und Breitenangaben Ihrer Beobachtungsposition kennen, können diese direkt in die Handsteuerung eingegeben und auch für die Zukunft gespeichert werden. Eine Stadt auswählen:
 - Benutzen Sie die Aufwärts- und Abwärts-Scrolltasten, um zwischen einer Stadt aus der Datenbank und einem benutzerdefinierten Ort zu wählen. Die Städte-Datenbank ermöglicht Ihnen die Auswahl der Stadt, die Ihrer Beobachtungsposition am nächsten liegt, aus einer Liste internationaler oder US-amerikanischer Standorte. Wählen Sie Städte-Datenbank aus und drücken Sie auf ENTER.
 - Die Handsteuerung ermöglicht die Auswahl aus US-amerikanischen oder internationalen Standorten. Für eine Auflistung US-amerikanischer Standorte nach Staat und anschließend nach Stadt, auf ENTER drücken, während Vereinigte Staaten angezeigt wird. Für internationale Standorte die Aufwärts- oder Abwärts-Scrolltasten verwenden, um International auszuwählen und anschließend auf ENTER drücken.
 - Benutzen Sie die Aufwärts- und Abwärts-Scrolltasten, um den aktuellen Staat (oder das Land, wenn Internationaler Standort ausgewählt wurde) aus der alphabetischen Liste auszuwählen und drücken Sie auf ENTER.
 - Benutzen Sie die Aufwärts- und Abwärts-Scrolltasten, um die Stadt, die Ihrem Standort am nächsten liegt, aus der angezeigten Liste auszuwählen und drücken Sie auf ENTER.
 - **Uhrzeit** – Geben Sie die aktuelle örtliche Uhrzeit für Ihren Standortbereich ein. Sie können entweder die örtliche Uhrzeit (d. h. 08:00) oder die militärische Uhrzeit (d. h. 20:00) eingeben.
 - Wählen Sie PM oder AM aus. Wenn die militärische Uhrzeit eingegeben wurde, überspringt die Handsteuerung diesen Schritt.
 - Wählen Sie zwischen Standard- oder Sommerzeit aus. Benutzen Sie die Aufwärts- und Abwärts-Scrolltasten (10), um zwischen beiden Optionen zu wechseln.
 - Wählen Sie die Zeitzone, in der Sie die Betrachtung anstellen, aus. Benutzen Sie erneut die Aufwärts- und Abwärts-Scrolltasten (10), um zwischen beiden Optionen zu wählen. In der Zeitonenkarte im Anhang finden Sie weitere Informationen.
 - **Datum** – Geben Sie Monat, Tag und Jahr Ihrer Beobachtungssession ein.

Hinweis: Ihren Standort aktualisieren – da Ihr Beobachtungsstandort nicht so häufig aktualisiert werden muss wie Datum und Uhrzeit, wird dieser bei der Aktualisierung von Datum und Uhrzeit nicht jedes Mal angezeigt. Sie können zur Aktualisierung Ihrer Stadt jederzeit auf ZURÜCK drücken, wenn Sie Datum und Uhrzeit aktualisieren möchten. Drücken Sie erneut auf ZURÜCK, um Staat oder Land zu aktualisieren bzw. um Längen-/Breitengradkoordinaten einzugeben.

Hinweis: Wenn falsche Informationen in die Handsteuerung eingegeben werden, fungiert die ZURÜCK-Taste als Rücksetztaste, die es dem Benutzer ermöglicht, die korrekten Daten einzugeben.

Wählen Sie eine Ausrichtungsart, wie nachstehend beschrieben, aus.

Zweisternausrichtung

Die Zweisternausrichtung ermöglicht es dem Benutzer, zwei Sterne für die Teleskopausrichtung auszuwählen. Die Ausrichtung Ihres Teleskops nach der Zweisternausrichtung:

1. Wählen Sie die Zweisternausrichtung aus den vorhandenen Wahlmöglichkeiten aus. Basierend auf den eingegebenen Datums- und Uhrzeitangaben, wählt die Handsteuerung automatisch einen hellen Stern über dem Horizont aus und zeigt diesen an.
 - Drücken Sie auf ENTER, um diesen Stern als ersten Ausrichtungsstern auszuwählen.
 - Falls der ausgewählte Stern aus irgendwelchen Gründen nicht sichtbar ist (eventuell weil er sich hinter einem Baum oder Gebäude befindet), auf die ZURÜCK-Taste drücken, damit die Handsteuerung automatisch den nächsten hellen Stern auswählt.
 - Oder benutzen Sie die Aufwärts-/Abwärts-Tasten, um die gesamte Liste benannter Sterne zu durchsuchen und einen der über zweitausend Ausrichtungssterne auszuwählen.
2. Sobald das Teleskop die Schwenkbewegung zum ersten Ausrichtungsstern beendet hat, werden Sie aufgefordert, den ausgewählten Stern mithilfe der Pfeiltasten auf das Fadenkreuz in der Mitte des Suchers auszurichten. Wenn dieser im Sucher zentriert ist, können Sie auf ENTER drücken.

Nun hilft Ihnen die Anzeige dabei, den Stern im Sichtfeld des Okulars zu zentrieren. Wenn der Stern eingegeben ist, auf AUSRICHTEN drücken, um diesen Stern als ersten Ausrichtungsstern zu übernehmen.

Wichtig: Wenn das Teleskop bewegt wird, muss die Schwenkbewegung immer mithilfe der Richtungstasten nach OBEN und RECHTS auf der Handsteuerung beendet werden, um jegliches mechanische Spiel im Getriebe zu eliminieren.

3. Nachdem der erste Ausrichtungsstern eingegeben ist, wählt die Handsteuerung automatisch einen zweiten Ausrichtungsstern aus, und die Ausrichtung muss für diesen Stern wiederholt werden.

Wenn das Teleskop auf beide Sterne ausgerichtet ist, können Sie weitere Kalibrierungssterne eingeben. Kalibrierungssterne werden verwendet, um die Zeigegegenauigkeit Ihres Teleskops zu verbessern, indem subtile opto-mechanische Fehlansichtungen zwischen der Teleskopoptik und der Montierung kompensiert werden. Daher ist es empfehlenswert, mindestens einen zusätzlichen Kalibrierungsstern einzugeben, um die Zeigegegenauigkeit der Montierung zu erhöhen.

4. Drücken Sie auf ENTER, um einen Kalibrierungsstern einzugeben. Wählen Sie einen Stern genauso wie bei den ersten beiden Ausrichtungssternen aus und drücken Sie auf ENTER. Sie werden feststellen, dass sich alle angezeigten Kalibrierungssterne auf der Himmelsseite (Meridian) befinden, die den ursprünglichen Ausrichtungssternen gegenüberliegt. Dies ist für eine exakte

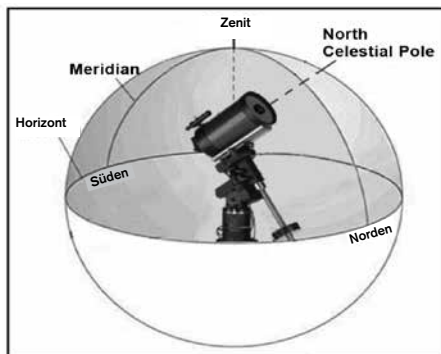
Kalibrierung der Montierung entscheidend.

Schließlich können Sie weitere Kalibrierungssterne hinzufügen oder auf ZURÜCK drücken, um die Ausrichtung abzuschließen.

Hinweis: Ost-/West-Filter – um die bestmögliche Zeigegegenauigkeit zu gewährleisten, werden die anfänglichen Ausrichtungssterne von Ihrer computergesteuerte Montierung automatisch gefiltert und ausgewählt, sodass sich die beiden ersten Ausrichtungssterne auf der einen Seite des Meridians befinden und alle Kalibrierungssterne auf der entgegengesetzten Seite des Meridians, wie dies durch das „W“ bzw. „O“ in der oberen rechten Ecke des LCDs angezeigt wird. Der Ost-/West-Filter kann geändert werden, indem zu einer beliebigen Zeit während der Ausrichtung einfach die MENÜ-Taste gedrückt wird.

Tipps zum Hinzufügen von Kalibrierungssternen:

- Obwohl es für gelegentliche Beobachtungen nicht nötig ist, Kalibrierungssterne hinzuzufügen, ist es dennoch empfehlenswert, drei Kalibrierungssterne für eine optimale Zeigegegenauigkeit einzugeben.
- Wenn Sie Kalibrierungssterne auswählen, die nahe des Himmelsäquators liegen, erreichen Sie bessere Ergebnisse als mit Sternen nahe des Himmelspols.
- Obwohl es nicht nötig ist, Kalibrierungssterne zu verwenden, wenn die Teleskopmontierung seit der ursprünglichen Ausrichtung/Kalibrierung nicht bewegt wurde, könnte es doch nötig sein, das Teleskop erneut zu kalibrieren, falls der Teleskoptubus aus irgendeinem Grund bewegt wurde.



Hinweis: Meridian – der Meridian ist eine imaginäre Linie im Himmel, die am nördlichen Himmelspol beginnt, am südlichen Himmelspol endet und durch den Zenit verläuft. Wenn man sich nach Süden ausrichtet, beginnt der Meridian am südlichen Horizont und verläuft direkt über dem Kopf am Himmel zum nördlichen Himmelspol.

Aus Sicherheitsgründen wird die Sonne nicht in den benutzerdefinierten Objektlisten der Handsteuerung angezeigt, außer sie wurde im Utility-Menü aktiviert. Um die Anzeige der Sonne auf der Handsteuerung zu ermöglichen, gehen Sie folgendermaßen vor:

1. Drücken Sie die ZURÜCK-Taste, bis „Advanced VX bereit“ angezeigt wird.
2. Drücken Sie die MENÜ-Taste und wählen Sie mithilfe

der Aufwärts- und Abwärts-Tasten das „Utility-Menü“ aus. Drücken Sie auf ENTER.

3. Wählen Sie mithilfe der Aufwärts- und Abwärts-Tasten das Sonnenmenü aus und drücken Sie auf ENTER.
4. Drücken Sie erneut auf ENTER, damit die Sonne in der Anzeige der Handsteuerung erscheint.

Die Anzeige der Sonne kann mit dem gleichen Verfahren, wie oben beschrieben, verhindert werden.

Tipp: Um die Zeigegegenauigkeit des Teleskops zu erhöhen, können Sie, wie oben beschrieben, die Funktion Erneut Ausrichten verwenden.

Schnell-Ausrichtung

Die Schnell-Ausrichtung nutzt alle Datums- und Uhrzeitangaben, die zu Beginn der Ausrichtung des Teleskops eingegeben wurden. Das Teleskop überspringt jedoch das Schwenken auf den Ausrichtungsstern zur Zentrierung und Ausrichtung und modelliert den Stern einfach aufgrund der vorhandenen Daten. Auf diese Weise können Sie grob zu den Koordinaten heller Objekte, wie dem Mond und zu Planeten, schwenken, und das Teleskop erhält die benötigten Daten für die Objektnachführung für jeden Himmelsabschnitt (in Abhängigkeit zur Genauigkeit der Polausrichtung). Die Schnell-Ausrichtung eignet sich nicht zum exakten Lokalisieren kleiner oder lichtarmer Deep-Sky-Objekte oder zum akkuraten Nachführen von Objekten in der Astrofotografie. Zum Verwenden der Schnell-Ausrichtung einfach die Schnell-Ausrichtung aus den Ausrichtungsoptionen auswählen und auf ENTER drücken. Das Teleskop verwendet automatisch die eingegebenen Werte zu Datum/Uhrzeit, um sich selbst am Himmel auszurichten und zeigt „Ausrichtung erfolgreich“ an.

Hinweis: Wenn eine Schnell-Ausrichtung vorgenommen wurde, können Sie die Neuausrichtungsfunktion nutzen (siehe unten), um die Zeigegegenauigkeit Ihres Teleskops zu erhöhen.

Letzte Ausrichtung

Bei der Letzten Ausrichtung werden automatisch die zuletzt gespeicherten Indexstandorte aufgerufen, um mit der Ausrichtung fortzufahren, die beim letzten Ausschalten des Teleskops gespeichert wurde. Diese Funktion ist nützlich, falls Ihr Teleskop einmal versehentlich von der Stromversorgung abgeschnitten oder ausgeschaltet wird.

Hinweis: Wie bei der Schnell-Ausrichtung können Sie die Neuausrichtungsfunktion (siehe unten) verwenden, um die Zeigegegenauigkeit Ihres Teleskops nach der Letzten Ausrichtung zu erhöhen. Um eine exaktere Ausrichtung über mehrere Beobachtungssessions hinweg beizubehalten, können Sie die Ruhepositionsfunktion, die später in diesem Kapitel beschrieben wird, verwenden.

Neuausrichtung

Die Montierung verfügt über die Neuausrichtungsfunktion, mit der jeder ursprüngliche Ausrichtungsstern durch einen neuen Stern oder ein anderes Himmelsobjekt ersetzt werden kann. Dies kann unter mehreren Umständen nützlich sein:

- Wenn Sie über mehrere Stunden hinweg beobachten, könnte Ihnen auffallen, dass Ihre beiden ursprünglichen Ausrichtungssterne beträchtlich Richtung Westen abgedriftet

sind. (Bedenken Sie, dass Sterne mit 15° pro Stunde wandern). Eine Ausrichtung anhand eines neuen Sterns in einem östlichen Himmelsteil wird Ihre Zeigegegenauigkeit erhöhen, insbesondere für Objekte in diesem Himmelssektor.

- Wenn Sie Ihr Teleskop mithilfe der Schnell-Ausrichtung ausgerichtet haben, können Sie die Neuausrichtung nutzen, um auf tatsächliche Himmelsobjekte auszurichten. Dadurch wird die Zeigegegenauigkeit Ihres Teleskops erhöht, ohne dass zusätzliche Daten eingegeben werden müssen.
- Wenn Sie die computerunterstützte Ausrichtung genutzt haben und die Montierung manuell bewegt wurde, könnte es nötig sein, die Montierung für eine erhöhte Zeigegegenauigkeit neu auszurichten.

Einen bestehenden Ausrichtungsstern durch einen neuen Ausrichtungsstern ersetzen:

1. Wählen Sie den gewünschten Stern (oder das gewünschte Objekt) aus der Datenbank aus und schwenken Sie darauf zu.
2. Zentrieren Sie das Objekt sorgfältig im Okular.
3. Drücken Sie nach dem Zentrieren die ZURÜCK-Taste, bis Sie im Hauptmenü angelangt sind.
4. Drücken Sie auf die AUSRICHTEN-Taste, sobald „Advanced VX bereit“ auf der Handsteuerung angezeigt wird, um Ausrichtungssterne aus der Liste der Optionen auszuwählen.
5. Geben Sie nun einen Ausrichtungsstern zum Ersatz in die Anzeige ein. Benutzen Sie die AUFWÄRTS- und ABWÄRTS-Tasten, um den für den Austausch vorgesehenen Ausrichtungsstern auszuwählen. Es ist gewöhnlich am besten, den Stern auszuwählen, der sich dem neuen Objekt am nächsten befindet. Dadurch werden Ausrichtungssterne im Himmel ausgeschlossen.
6. Drücken Sie zum Übernehmen der Änderungen auf AUSRICHTEN.

Objektkatalog

Auswahl eines Objekts

Nun da das Teleskop richtig ausgerichtet ist, können Sie ein Objekt aus einem der Kataloge in der NexStar+-Datenbank der Handsteuerung auswählen. Die Handsteuerung verfügt über eine Taste, die jeder Objekt-Kategorie in der Datenbank zugewiesen wurde: Objekte im Sonnensystem, Sterne und Deep-Sky- (extrasolare) Objekte.

- **Sonnensystem** – Der Sonnensystem-Katalog zeigt alle Planeten (sowie den Mond) in unserem Sonnensystem an, die derzeit am Himmel sichtbar sind. Damit die Sonne als ein zur Auswahl stehendes Objekt in der Datenbank angezeigt wird, siehe die Option Sonnenmenü im Menü Teleskop-Setup.
- **Sterne** – Benutzerdefinierte Listen der hellsten Sterne, Doppel- (binäre) Sterne, variablen Sterne und ausgewählten Asterismen.
- **Deep-Sky (extrasolarer Himmel)** – benutzerdefinierte Listen der schönsten Galaxien, Nebel und Cluster sowie die kompletten Messier- und NGC-Objekte. Es gibt auch eine alphabetische Liste aller Deep-Sky-Objekte in der Reihenfolge ihrer allgemeinen Namen.

Mithilfe der Scrolltasten können Sie durch die Kataloge blättern, um das gewünschte Objekt zu finden.

Beim Scrollen durch eine lange Liste von Objekten können Sie durch Gedrückthalten der AUFWÄRTS- und ABWÄRTS-Tasten mit hoher Geschwindigkeit durch den Katalog blättern.

Schwenken zu einem Objekt

Nachdem das gewünschte Objekt auf dem Display der Handsteuerung angezeigt wird, haben Sie zwei Möglichkeiten:

- **Drücken Sie die Taste OBJEKTINFO.** Diese zeigt nützliche Informationen über das ausgewählte Objekt, wie die Sterngröße, die Konstellation und zusätzliche Informationen über die beliebtesten Objekte, an.
 - Verwenden Sie die Pfeiltasten **AUFWÄRTS/ABWÄRTS**, um durch die angezeigten Objekt-Informationen zu scrollen.
 - Das Drücken der **ZURÜCK**-Taste lässt Sie zur Objekt-Datenbank zurückkehren.
- **Drücken der ENTER-Taste.** Damit schwenkt das Teleskop automatisch zu den Koordinaten des Objekts, das auf der Handsteuerung angezeigt wird. Während das Teleskop zum Objekt schwenkt, kann der Benutzer immer noch auf viele der Handsteuerungsfunktionen zugreifen (wie z. B. Anzeige von Informationen über das Objekt).

ANMERKUNG: Die Messier- und NGC-Kataloge verlangen vom Anwender die Eingabe einer numerischen Bezeichnung. Wenn Sie die entsprechende Katalog-Taste und den Messier-, NGC- oder SAO-Katalog gewählt haben, zeigt ein blinkender Mauszeiger an, dass Sie jetzt im numerischen Eingabe-Modus sind. Geben Sie die Katalognummer des Objekts ein, das Sie anzeigen möchten. Durch Drücken der ENTER-Taste schwenkt das Teleskop auf das Objekt, und durch Gedrückthalten der OPTIONS-Taste (das Celestron Logo) und Drücken der OBJEKTINFO-Taste werden Informationen über das ausgewählte Objekt angezeigt.

Vorsicht: Niemals das Teleskop schwenken, wenn jemand in das Okular schaut. Das Teleskop kann sich mit schnellen Schwenkbewegungen bewegen und das Auge des Beobachters verletzen.

Himmelstour-Taste

Die Advanced VX-Montierung verfügt über eine Tour-Funktion, mit welcher der Benutzer automatisch eine Auswahl aus einer Liste interessanter Objekte auf der Grundlage des Datums und der Uhrzeit der Beobachtung treffen kann. Die automatische Tour zeigt nur die Objekte an, die innerhalb Ihrer eingestellten Katalog-Filtergrenzen liegen. Um die Tour-Funktion zu aktivieren, drücken Sie die Taste HIMMELSTOUR auf der Handsteuerung.

1. Drücken Sie auf die HIMMELSTOUR-Taste auf der Handsteuerung.
2. Wählen Sie mit der SCROLL-Taste die Option „Das Beste von heute Nacht“.
3. Die Advanced VX-Montierung schwenkt automatisch azimutal in die Ausgangsposition, was die Wahrscheinlichkeit minimiert, dass sich das Stromversorgungskabel

während der Tour verwickelt.

- Die Handsteuerung zeigt die besten Beobachtungsobjekte an, die zurzeit am Himmel stehen.
 - Drücken Sie auf die **OBJEKTINFO**-Taste, um Informationen und Daten über die angezeigten Objekte zu erhalten. Einmaliges Drücken zeigt die Objektkoordinaten an. Drücken Sie die Taste erneut, um die Textbeschreibung anzuzeigen. Drücken Sie auf **ZURÜCK**, um zum vorherigen Bildschirm zurückzukehren.
 - Drücken Sie **ENTER**, um zum angezeigten Objekt zu schwenken.
 - Drücken Sie auf die **ABWÄRTS**-Taste, um das nächste Tour-Objekt anzuzeigen.

Identifizierungstaste

Durch Drücken der Taste **IDENTIFIZIEREN** werden die Datenbank-Kataloge der Montierung durchsucht und die Namen und Winkeldistanzen der nächstgelegenen passenden Objekte am aktuellen Standort des Teleskops angezeigt. Diese Funktion kann zwei Zwecke erfüllen: Erstens kann sie zur Identifikation eines unbekanntes Objekts im Sichtfeld Ihres Okulars verwendet werden. Außerdem kann der Identifizierungsmodus zur Lokalisierung anderer Himmelsobjekte, die dicht an den gegenwärtig von Ihnen beobachteten Objekten liegen, verwendet werden.

Wenn Ihr Teleskop z. B. auf den hellsten Stern im Sternbild Lyra gerichtet ist, können Sie die Identifizierung wählen. Daraufhin wird ganz sicher der Stern Vega als der von Ihnen beobachtete Stern angegeben. Jedoch durchsucht die Identifizierungsfunktion auch seine NGC- und Sonnensystem-Datenbank und zeigt alle Planeten oder Deep-Sky-Objekte in der Nähe an. In diesem Beispiel wird der Ringnebel (M57) in ungefähr 6° Entfernung angezeigt.

Die Helligkeit und Nähe der angezeigten Objekte kann mittels des Identifizierungsfilters unter Teleskop-Setup definiert werden.

Richtungstasten

In der Mitte der Handsteuerung befinden sich vier Richtungstasten, die die Höhen- (auf und ab) und Azimut- (links und rechts) Bewegung des Teleskops steuern. Das Teleskop kann mit neun verschiedenen Geschwindigkeitsraten gesteuert werden.

1 = 2-fach	6 = .3° / Sek
2 = 4-fach	7 = 1° / Sek
3 = 8-fach	8 = 2° / Sek
4 = 16-fach	9 = 4° / Sek
5 = 32-fach	

Motordrehzahlstaste

Wenn Sie die **MOTORDREHZAHL**-Taste (12) drücken, können Sie die Drehzahl der Motoren sofort von einer Schwenkrate bei hoher Drehzahl auf eine Geschwindigkeit für präzise Nachführung oder eine Geschwindigkeit dazwischen ändern. Jede Geschwindigkeit entspricht einer Zahl auf der Tastatur der Handsteuerung. Die Zahl 9 ist die schnellste Geschwindigkeit (ca. 4° pro Sekunde, je nach Energiequelle). Sie wird zum Schwenken zwischen Objekten und zur Lokalisierung von Ausrichtungssternen

verwendet. Die Zahl 1 auf der Handsteuerung entspricht der langsamsten Geschwindigkeit (halb-siderisch) und kann zur präzisen Zentrierung von Objekten im Okular verwendet werden. Änderung der Motorendrehzahl:

- Drücken Sie auf die **MOTORDREHZAHL**-Taste auf der Handsteuerung. Das LCD zeigt die aktuelle Drehzahl an.
- Drücken Sie die Nummer auf der Handsteuerung, die der gewünschten Drehzahl entspricht.

Die Handsteuerung verfügt über eine „Doppeltasten“-Funktion, mit der Sie eine sofortige Beschleunigung der Motoren erreichen können, ohne dass eine Drehzahl gewählt werden muss. Zur Verwendung dieser Funktion drücken Sie einfach die Pfeiltaste, die der Richtung entspricht, in die Sie das Teleskop bewegen möchten. Halten Sie diese Taste gedrückt und drücken Sie die Taste für die entgegengesetzte Richtung. Damit wird die Schwenkrate auf die maximale Stufe erhöht.

Bei Verwendung der **AUFWÄRTS**- und **ABWÄRTS**-Tasten auf der Handsteuerung bewegen die langsameren Schwenkraten (6 und darunter) die Motoren in die entgegengesetzte Richtung der schnelleren Schwenkrate (7 - 9). Das erfolgt, damit sich ein Objekt bei Betrachtung im Okular in die entsprechende Richtung bewegt (d. h. ein Drücken der Aufwärts-Pfeiltaste bewegt den Stern im Sichtfeld des Okulars nach oben). Wenn jedoch eine der langsameren Schwenkrate (Stufe 6 und darunter) verwendet wird, um ein Objekt im StarPointer zu zentrieren, müssen Sie möglicherweise die entgegengesetzte Richtungstaste drücken, um das Teleskop in die richtige Richtung zu bewegen.

Hilfe-Taste

In zukünftigen Firmware-Updates wird diese Taste Hinweise zur Problembehandlung geben. Zurzeit dient diese Taste als Kurzwahltaste zum bequemen Aufrufen des Messierkatalogs.

Menü-Taste

Die Advanced VX-Montierung verfügt über zahlreiche benutzerdefinierte Setup-Funktionen, die dem Anwender die Kontrolle über die vielfältigen Eigenschaften des Teleskops geben sollen. Alle Setup- und Utility-Funktionen können durch Drücken der **MENÜ**-Taste und Scrollen durch die Optionen aufgerufen werden.

Nachführmenü

Nachführmodus – Hiermit kann die Art der Teleskopnachführung in Abhängigkeit zum Montierungstyp, der für das Teleskop verwendet wird, geändert werden. Das Teleskop verfügt über drei verschiedene Nachführmodi:

- EQ-Nord** – wird verwendet, wenn das Teleskop in der nördlichen Hemisphäre polar ausgerichtet ist und über den Himmel nachgeführt werden soll.
- EQ-Süd** – wird verwendet, wenn das Teleskop in der südlichen Hemisphäre polar ausgerichtet ist und über den Himmel nachgeführt werden soll.
- Aus** – wenn das Teleskop für terrestrische (Land-) Beobachtungen genutzt wird. Die Nachführung kann ausgeschaltet werden, damit sich das Teleskop keinesfalls bewegt.

Nachführgeschwindigkeit – Zusätzlich zum Bewegen des Teleskops mit den Tasten der Handsteuerung wird Ihr Teleskop ständig ein Himmelsobjekt nachführen, während es sich über den Nachthimmel bewegt. Die Nachführgeschwindigkeit kann je nach dem Typ des beobachteten Objekts geändert werden:

- Siderisch** – Diese Stufe kompensiert die Erdrotation,

indem das Teleskop mit der gleichen Geschwindigkeit wie die Erdrotation, jedoch in entgegengesetzter Richtung, bewegt wird. Wenn das Teleskop polar ausgerichtet ist, wird dies erreicht, indem das Teleskop ausschließlich in die Rektaszension bewegt wird.

- **Lunar** – dient zur Nachführung des Mondes bei Beobachtung der Mondoberfläche.
- **Solarr** – dient zur Nachführung der Sonne bei Sonnenbeobachtungen mit entsprechendem Filter.

Uhrzeit-/Standort-Anzeigemenu

Dieses Menü zeigt die aktuelle Uhrzeit sowie die vom optionalen SkySync-GPS-Empfänger heruntergeladenen Längen-/Breitengrade an. Es werden auch andere relevante Uhrzeit-/Standort-Daten wie Zeitzone, Sommerzeit und lokale siderische Zeit angezeigt. Die lokale siderische Zeit (LST) ist sinnvoll, um für Himmelsobjekte, die sich zu dieser Zeit auf dem Meridian befinden, die Rektaszension zu bestimmen. Die Uhrzeit-/Standort-Anzeige stellt immer die zuletzt gespeicherte Uhrzeit bzw. den zuletzt gespeicherten Standort dar, der während der Verbindung zum GPS eingegeben wurde. Sobald die aktuellen Daten empfangen wurden, werden diese aktualisiert. Wenn das GPS ausgeschaltet oder nicht verfügbar ist, zeigt die Handsteuerung nur die zuletzt gespeicherten Daten zu Uhrzeit und Standort an.

Das Handsteuerungsmenü

Das Menü „Handsteuerung“ ermöglicht Ihnen die Anpassung bestimmter Funktionen der NexStar+-Handsteuerung. Um dieses Menü aufzurufen, drücken Sie die MENÜ-Taste (Nr. 7 auf der Tastatur), verwenden zur Auswahl der „Handsteuerung“ die Scroll-Tasten und drücken auf ENTER. Verwenden Sie die Scroll-Tasten, um eine der folgenden Optionen auszuwählen:

- **Beleuchtungssteuerung:** Die Helligkeit der Zahlentastatur und des LCDs wird unabhängig voneinander geregelt.
- **Scroll-Menü:** Hiermit wird die Geschwindigkeit, mit der Worte über das LCD laufen, angepasst.
- **Fettdruck ändern:** Hiermit wird das Schriftformat der LCD-Anzeige von normal nach fett geändert.
- **Kontrast einstellen:** Über die Scroll-Tasten wird der LCD-Kontrast angepasst.
- **Sprache einstellen:** Hiermit wird die auf dem LCD angezeigte Sprache geändert.

Hinweis: Die Funktion Sprache einstellen kann auch erscheinen, wenn Sie Ihre neue Handsteuerung das erste Mal verwenden. Sie können sie auch zu jeder Zeit aufrufen, indem Sie die Options-Taste (das Celestron-Logo) für 10 Sekunden drücken, während das Teleskop eingeschaltet wird.

Teleskopsetupmenü

Uhrzeit-/Standort-Setup – Hier kann der Benutzer die Teleskopanzeige anpassen, indem er Uhrzeit- und Standortwerte (wie z. B. Zeitzone und Sommerzeit) ändert.

Getriebeausgleich – Alle mechanischen Getriebe weisen einen gewissen Nachlauf oder ein Spiel zwischen den Gängen auf. Dieses Spiel manifestiert sich in der Zeitspanne, die zur Bewegung eines Sterns im Okular nötig ist, wenn die Pfeiltasten auf der Handsteuerung gedrückt werden (besonders bei Richtungsänderungen). Die Getriebeausgleichsfunktion des Advanced VX lässt den Benutzer das Getriebe ausgleichen, indem er einen

Wert eingibt, der die Motoren schnell gerade so viel zurückspult, dass das Spiel zwischen den Gängen eliminiert wird. Das Ausmaß des erforderlichen Ausgleichs hängt von der ausgewählten Schwenkrate ab. Je geringer die Schwenkrate, desto länger dauert es, bis der Stern sich im Okular zu bewegen scheint. Für jede Achse existieren zwei Werte, ein positiver und ein negativer:

- Als positiv wird das Ausmaß der angewendeten Kompensation bezeichnet, wenn Sie die Taste drücken, damit sich die Gänge schnell und ohne lange Pause bewegen.
- Als negativ wird das Ausmaß der angewendeten Kompensation bezeichnet, wenn Sie die Taste loslassen und die Motoren in die andere Richtung bewegt werden, um die Nachführung wieder aufzunehmen.

Generell sollten beide Messwerte identisch sein. Es wird nötig sein, mit verschiedenen Werten zu experimentieren (von 0 – 99); ein Wert zwischen 20 und 50 ist generell optimal für die meisten visuellen Betrachtungen, während ein höherer Wert für fotografische Führungen nötig sein könnte. Zur Einstellung des Getriebeausgleichswerts scrollen Sie zur Option Getriebeausgleich und drücken ENTER. Beobachten Sie, während ein Objekt durch das Okular betrachtet wird, die Reaktionssensibilität aller vier Pfeiltasten. Achten Sie darauf, bei welcher Richtung eine Pause in der Sternenbewegung zu verzeichnen ist, nachdem die Taste gedrückt wurde. Während Sie die Achsen der Reihe nach einzeln bearbeiten, werden die Getriebeausgleichseinstellungen so weit angepasst, dass eine sofortige Bewegung ohne nennenswerten Sprung erreicht wird, wenn die Taste gedrückt oder losgelassen wird. Geben Sie nun die gleichen Werte für die positive und negative Richtung ein. Wenn Sie einen Sprung bemerken, wenn die Taste losgelassen wird, die Werte jedoch niedriger eingestellt werden, entsteht beim Tastendruck eine Pause; verwenden sie den höheren Wert für positiv und den niedrigeren Wert für negativ. Das Teleskop speichert diese Werte und verwendet sie jedes Mal, wenn das Teleskop eingeschaltet wird, bis sie geändert werden.

Filtergrenzen – Wenn eine Ausrichtung abgeschlossen ist, erkennt das Teleskop automatisch, welche Himmelsobjekte sich über dem Horizont befinden. Dadurch zeigt die Handsteuerung beim Scrollen durch die Datenbankliste (oder bei der Auswahl der Tourfunktion) nur jene Objekte an, die während Ihrer Beobachtung als über dem Horizont stehend bekannt sind. Sie können die Objektdatenbank anpassen, indem Sie Höhengrenzwerte eingeben, die sich für Ihren Standort und Ihre Situation eignen. Wenn Sie beispielsweise von einem bergigen Standort aus beobachten, und der Horizont teilweise verdeckt ist, können Sie die Mindesthöhengrenze auf +20° einstellen. Dadurch wird sichergestellt, dass die Handsteuerung lediglich Objekte anzeigt, die sich in einer Höhe über 20° befinden.

Tipp: Wenn Sie die gesamte Objektdatenbank durchsuchen möchten, stellen Sie die Maximalhöhengrenzung auf 90° und die Mindesthöhengrenze auf -90°. Dadurch wird jedes Objekt der Datenbankliste angezeigt, unabhängig davon, ob es von Ihrem Standpunkt aus am Himmel zu sehen ist.

Richtungstasten – Die Richtung, in die sich ein Stern im Okular zu bewegen scheint, ändert sich in Abhängigkeit der Meridianseite, auf der sich der Teleskoptubus befindet. Dies kann zu Verwirrung führen, insbesondere, wenn ein Stern für die Astrofotografie nachgeführt wird. Dies kann kompensiert werden, indem die Richtung der Antriebssteuerungstasten

geändert wird. Um die Tastenlogik der Richtungstasten umzukehren, drücken Sie die MENÜ-Taste und wählen die Richtungstasten aus dem Utility-Menü. Benutzen Sie die Aufwärts-/Abwärts-Tasten (10), um entweder die Azimut- (Rektaszension) oder die Höhen- (Deklination) Tastenrichtung auszuwählen und drücken Sie auf ENTER. Wählen Sie für beide Achsen entweder positiv oder negativ und drücken Sie zum Speichern auf ENTER. Wird die Azimut-Tastenrichtung auf positiv eingestellt, bewegt sich das Teleskop in die gleiche Richtung, die das Teleskop nachführt (d. h. nach Westen). Werden die Höhentasten auf positiv gestellt, bewegt sich das Teleskop gegen den Uhrzeigersinn entlang der DEKLINATIONS-Achse.

GoTo-Automatik – hiermit kann der Benutzer die Richtung festlegen, in die sich das Teleskop beim Schwenk zu einem Objekt bewegt. Dadurch kann der Benutzer den Getriebeeffekt minimieren, wenn von einem Objekt zum nächsten geschwenkt wird. Genauso wie bei den Richtungstasten nähert sich das Teleskop bei einer GoTo-Automatik, die auf positiv eingestellt ist, in gleicher Richtung wie in der azimutalen Nachführung (Westen) und in der Deklination gegen den Uhrzeigersinn an ein Objekt an. Die GoTo-Automatik in der Deklination wird nur verwendet, während sich der Teleskoptubus auf einer Seite des Meridians befindet. Sobald der Tubus auf die andere Seite des Meridians schwenkt, muss die GoTo-Automatik umgekehrt werden.

Wählen Sie zur Richtungsänderung der GoTo-Automatik einfach eine GoTo-Automatik aus dem Teleskopsetupmenü aus, wählen Sie entweder eine Höhen- oder Azimut-Automatik aus, wählen Sie positiv oder negativ und drücken Sie auf ENTER.

Hinweis: Um den Einfluss des Getriebebeispiels bei der Zeigegegenauigkeit zu minimieren, sollten die Einstellungen für die Richtungstasten mit denen der GoTo-Automatik übereinstimmen. Standardmäßig werden die Richtungstasten Aufwärts und Rechts für das Zentrieren der Ausrichtungssterne verwendet, was automatisch einen Großteil des Getriebebeispiels eliminiert. Wenn Sie die GoTo-Automatik Ihres Teleskops ändern, ist eine Änderung der Richtungstasten nicht nötig. Achten Sie einfach auf die Richtung, die das Teleskop nimmt, wenn die letzte Bewegung der GoTo-Automatik abgeschlossen ist. Wenn sich das Teleskop von Westen (negativer Azimut) und im Uhrzeigersinn (negative Höhe) an seinen Ausrichtungsstern annähert, müssen Sie sicherstellen, dass die zur Zentrierung der Ausrichtungssterne verwendeten Tasten das Teleskop in dieselbe Richtung bewegen.

Autoguide-Rate – hier kann der Benutzer eine Autoguide-Rate als Prozentanteil der siderischen Rate einstellen. Dies ist bei der Kalibrierung Ihres Teleskops auf einen CCD-Autoguide für die Astrofotografie mit langen Belichtungszeiten nützlich.

OTA-Orientierung – Einige Benutzer möchten einen optionalen Doppeladapter verwenden, der es ihnen ermöglicht, zwei optische Tuben gleichzeitig an der Montierung anzubringen. Durch die übliche Anbringung des Doppeladapters an einer Montierung befinden sich die optischen Tuben so an der Montierung, dass sie im 90°-Winkel von der Standardposition abweichen. Damit die Montierung nun erfolgreich an den Gestirnen ausgerichtet werden kann, muss das Teleskop wissen, dass ein Doppeladapter verwendet wird und in welcher Richtung die optischen Tuben

angebracht wurden (Ost oder West), wenn mit der Ausrichtung begonnen wird. Die Doppeloption muss vor der anfänglichen Sternausrichtung eingestellt werden. Gehen Sie zum Einstellen dieser Option ins Teleskopsetupmenü, wählen Sie die Doppelfunktion aus und drücken Sie auf ENTER. Wählen Sie nun eine der folgenden Optionen.

- **Ost** – Wenn die beiden aufgesetzten Teleskoptuben Richtung Osten zeigen, während die Deklinations-Indexmarkierungen ausgerichtet werden, wählen Sie Ost aus.
- **West** – Wenn die beiden aufgesetzten Teleskoptuben Richtung Westen zeigen, während die Deklinations-Indexmarkierungen ausgerichtet werden, wählen Sie West aus.
- **Normal** – Wenn die Doppelstange nicht länger verwendet wird, wählen Sie „normal“ aus, um diese Funktion auszuschalten.

Meridian – Diese Funktion instruiert die Montierung, wie zu reagieren ist, wenn auf Objekte zugeschwenkt wird, die von beiden Seiten des Meridians erreichbar sind. Die Meridianfunktion ermöglicht es dem Teleskoptubus, während des Schwenks auf einer gewünschten Seite der Montierung zu bleiben und die Nachführung in Übereinstimmung mit den vom Benutzer eingestellten RA-Schwenkgrenzen auszuführen. Siehe nachstehende RA-Grenzwerte. Die Meridianfunktion umfasst vier Wahlmöglichkeiten:

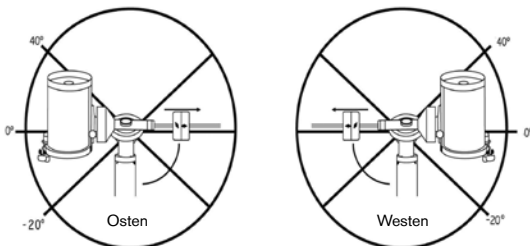
- **Aktuelle Seite bevorzugt** – hierbei kann die Montierung die Seite bevorzugen, die jeweils aktuell ist, wenn ein Objektschwenk nahe des Meridians stattfindet. Wenn Ihre RA-Schwenkgrenzen beispielsweise die Nachführung der Montierung für 10° über dem Meridian erlauben, bleibt das Teleskop auf der aktuellen Seite des Meridians, wenn es auf Objekte zuschwenkt, die sich maximal 10° jenseits Ihres Meridians befinden.
 - **Westen bevorzugt** – Ist das Zielobjekt von beiden Seiten der Montierung erreichbar, wird die Montierung durch die Auswahl „Westen bevorzugt“ angewiesen, das Objekt soweit anzuzeigen, als würde es sich auf der westlichen Seite des Meridians befinden. Der optische Tubus wird nun auf der östlichen Seite der Montierung positioniert und zeigt nach Westen.
 - **Osten bevorzugt** – Ist das Zielobjekt von beiden Seiten der Montierung erreichbar, wird die Montierung durch die Auswahl „Osten bevorzugt“ angewiesen, das Objekt soweit anzuzeigen, als würde es sich auf der östlichen Seite des Meridians befinden. Der optische Tubus wird nun auf der westlichen Seite der Montierung positioniert und zeigt nach Osten.
 - **Deaktiviert** – Hierbei handelt es sich um die Standard-einstellung, durch welche die Montierung angewiesen wird, immer soweit auf die andere Seite umzuschwenken, wie es zum Anzeigen von Objekten auf der gegenüberliegenden Meridianseite erforderlich ist. Sobald das gewünschte Objekt erreicht ist, führt die Montierung jedoch entsprechend den eingestellten RA-Schwenkgrenzen über den Meridian hinaus nach.
- Montierungseinstellungen** – Sobald die Montierungseinstellungen kalibriert sind (siehe nachstehenden Abschnitt Utility), werden die Werte in der Handsteuerung gespeichert und angezeigt. Wir raten davon ab, die Kalibrierungswerte zu ändern. Jede Einstellung kann jedoch wenn nötig geändert werden, um die Teleskopleistung zu verbessern.
- **Konus-Wert** – Hierbei handelt es sich um den Konus-Fehlerwert, der eingestellt wird, wenn Utility/Montierungs-

kalibrierung/DEK-Schalter - Konus ausgeführt wird.

- **DEK-Index** – Hierbei handelt es sich um den Deklinationsindex-Fehlerwert, der gespeichert wird, wenn Kalibrierungssterne nach der anfänglichen Sternausrichtung hinzugefügt werden.
- **RA-Index** – Hierbei handelt es sich um den RA-Index-Fehlerwert, der eingestellt wird, wenn Utility/Montierungs-kalibrierung/RA-Schalter ausgeführt wird.

RA-Grenzwerte – Hier werden die Grenzwerte eingestellt, die das Teleskop beim Schwenk oder der Nachführung in Rektaszension (RA) bis zum Stopp erreichen kann. Die Schwenkgrenzen werden in Grad angegeben und sind standardmäßig auf 0° eingestellt, was die Teleskopposition darstellt, wenn die Gegengewichtsstange horizontal ausgezogen ist. Die Schwenkgrenzen können jedoch je nach Ihren Anforderungen angepasst werden. Wenn Sie zum Beispiel eine Ausrüstung für die CCD-Fotografie benutzen, deren Kabel nicht lang genug sind, um die Schwenkbewegung des Teleskops über den Himmel zu ermöglichen, können die Schwenkgrenzen auf der Montierungsseite, die durch die Kabellänge eingeschränkt ist, angepasst werden, damit das Teleskop die Schwenkbewegung stoppt, bevor dieser Punkt erreicht wird. Oder wenn Sie ein Objekt fotografieren, das gerade den Meridian überschritten hat, können Sie die Grenzwerte so einstellen, dass der Montierung erlaubt wird, weiter in diese Richtung über den Meridian hinaus nachzuführen, ohne das Teleskop auf die andere Seite der Montierung zu „kippen“ (siehe obenstehende Meridianfunktion). Bezüglich des obigen ersten Beispiels könnte der Benutzer das Teleskop in die RA (Azimut) schwenken, bis es den Punkt erreicht, an dem die Kabel ihre maximale Reichweite erlangt haben. Wenn das Teleskop nun den Azimut in dieser Position anzeigt (wenn Sie unter dem Utility-Menü die Achsenposition ablesen), können Sie den Azimut des Teleskops als Maximalposition festlegen. Geben Sie diese Azimutwerte als Maximal- und Minimal-Azimut-Schwenkgrenzen ein, um sicherzustellen, dass das Teleskop nicht über diesen Punkt hinaus schwenkt. Die Teleskop-Schwenkgrenzen können so eingestellt werden, dass an einem beliebigen Punkt zwischen 40° über dem Niveau und 20° unter dem Niveau automatisch gestoppt wird. Zum Einstellen der RA-Schwenkgrenzen stehen folgende Wahlmöglichkeiten zur Verfügung:

- **RA-Ostgrenzwert** – Geben Sie eine Zahl zwischen +40° und -20° ein, um die Schwenkgrenze festzulegen, wenn sich der Tubus auf der östlichen Seite der Montierung befindet.
- **RA-Westgrenzwert** – Geben Sie eine Zahl zwischen +40° und -20° ein, um die Schwenkgrenze festzulegen, wenn sich der Tubus auf der westlichen Seite der Montierung befindet.
- **Grenzwerte deaktiviert** – Hiermit werden alle vordefinierte Werte, die eingegeben wurden, deaktiviert, wodurch die Montierung die maximale Strecke über den Meridian hinaus (d. h. -20° auf beiden Seiten) nachführen kann.



Warnung: Damit das Teleskop von einer Richtung auf einen Stern zuschwenken kann, die das Ausmaß des Getriebe-spiels minimiert, könnte es nötig sein, dass das Teleskop über den spezifizierten Grenzwert in der Schwenkbewegung hinausgeht, damit es sich dem Stern aus der korrekten Richtung annähern kann. Dadurch sind Ihre Möglichkeiten, weiter als 6° über dem in der Handsteuerung eingestellten RA-Schwenkgrenzwert auf ein Objekt zu schenken, begrenzt. Wenn dies ein Problem darstellt, kann die Richtung, in der das Teleskop ein Objekt zentriert, geändert werden. Zum Ändern der Schwenkrichtung des Teleskops, siehe GoTo-Automatik im Teleskopsetupmenü.

Benutzerdefinierte Rate 9 – Hiermit können Sie die Schwenkrate des Teleskops auf ein Ziel hin anpassen. Sie können die RA- und DEK-Achsen separat einstellen.

Utility-Menü

Wenn Sie durch die Optionen des MENÜS (9) scrollen, erhalten Sie auch Zugriff auf verschiedene, fortgeschrittene Utilityfunktionen des Teleskops, wie z. B. Montierung kalibrieren, Ruheposition und Vieles mehr.

Montierung kalibrieren – Um die Leistung und Zeigenauigkeit des Teleskops zu optimieren, verfügt die Montierung über integrierte Kalibrieringsroutinen zur Kompensation mechanischer Vibrationen der Deutschen Montierung. Jede Kalibrierung wird vollautomatisch durchgeführt und muss in den meisten Fällen nur einmal ausgeführt werden. Wir empfehlen dringend, sich ein paar Minuten Zeit zu nehmen, die Kalibrierungsverfahren durchzulesen.

- **RA-Schalter** – Mittels dieses Verfahrens wird der Offsetfehler aufgezeichnet, wenn die Rektaszensions-Indexmarkierung beim Hochfahren ausgerichtet wird. Die Kalibrierung des RA-Indexes erhöht die Genauigkeit Ihrer anfänglichen Sternausrichtung für spätere Teleskopausrichtungen.
- **GoTo-Kalibrierung** – Die GoTo-Kalibrierung ist ein nützliches Werkzeug, wenn schweres optisches oder Fotografiezubehör am Teleskop angebracht wird. Die GoTo-Kalibrierung berechnet die Distanz und Zeit, die von der Montierung benötigt wird, um den letzten, langsamen GoTo-Abschnitt zu beenden, wenn auf ein Objekt zugeschwenkt wird. Eine Änderung an der Teleskopbalance kann die Zeit verlängern, die für den letzten Schwenk benötigt wird. Die GoTo-Kalibrierung berücksichtigt kleinste Ungleichgewichte und Änderungen der letzten GoTo-Distanz und kompensiert diese.

Startposition – Bei der „Startposition“ des Teleskops handelt es sich um eine vom Benutzer definierbare Position, die bei der Lagerung des Teleskops verwendet wird, wenn dieses nicht in Gebrauch ist. Die Startposition ist nützlich, wenn das Teleskop als ständige Sternwarte gelagert wird. Standardmäßig ist die Startposition mit der Indexposition für die Ausrichtung der Montierung identisch.

Zum Einstellen der Startposition Ihrer Montierung verwenden Sie einfach die Pfeiltasten auf der Handsteuerung, um die Teleskopmontierung in die gewünschte Position zu bewegen. Wählen Sie die Option Einstellen aus und drücken Sie auf Enter.

Wählen Sie die Option GoTo aus, um das Teleskop zu einem beliebigen Zeitpunkt zurück in die Startposition zu bewegen.

Werkseinstellungen – Setzt die Handsteuerung auf die ursprünglichen Werkseinstellungen zurück. Werte wie die Getriebeispielkompensation, anfängliche Daten zu Datum und Uhrzeit, Längen-/Breitengrade sowie Schwenk- und Filtergrenzen werden rückgesetzt. Gespeicherte Werte, wie z. B. benutzerdefinierte Objekte, bleiben jedoch auch

bei der Auswahl der Werkseinstellungen gespeichert. Die Handsteuerung fordert Sie zum Drücken der „0“-Taste auf, bevor die Werkseinstellungen aktivierbar werden.

Version – Wird diese Option ausgewählt, können Sie die aktuelle Versionsnummer von Hand- und Motorsteuerung einsehen. Der erste Nummernsatz zeigt die Softwareversion der Handsteuerung an. Für die Motorsteuerung zeigt die Handsteuerung zwei Nummernsätze an: die ersten Nummern geben den Azimut und die zweiten die Höhe an.

Achsenposition – Hier werden die relativen Werte für Höhe und Azimut der aktuellen Teleskopposition angezeigt.

GoTo-Achsenposition – Hier können Sie eine spezifische relative Höhen- und Azimut-Position eingeben und darauf schwenken.

Ruheposition – Die Ruheposition ermöglicht es dem Teleskop, vollständig abzuschalten und dennoch seine Ausrichtung beizubehalten, wenn es wieder eingeschaltet wird. Dadurch wird nicht nur Energie gespart, sondern es ist auch ideal für Personen, die ihr Teleskop permanent aufgestellt lassen oder ihr Teleskop über einen längeren Zeitraum an einem Standort belassen. Aktivieren des Teleskop-Ruhemodus:

1. Im Utility-Menü den Ruhemodus auswählen.
2. Das Teleskop in die gewünschte Position bringen und ENTER drücken.
3. Das Teleskop ausschalten. Achten Sie darauf, das Teleskop im Ruhemodus niemals zu bewegen.

Sobald das Teleskop erneut eingeschaltet wird, zeigt der Bildschirm Aufwachen an. Nachdem Sie auf Enter gedrückt haben, haben Sie die Möglichkeit, durch die Uhrzeit-/ Standort-Informationen zu scrollen, um die aktuelle Einstellung zu bestätigen. Drücken Sie auf ENTER, um das Teleskop aufzuwecken.

Hinweis: Wenn Sie auf dem Aufwach-Bildschirm auf ZURÜCK drücken, können Sie viele Funktionen der Handsteuerung einsehen, ohne das Teleskop aus dem Ruhemodus aufzuwecken. Um das Teleskop, nachdem Sie auf ZURÜCK gedrückt haben, aufzuwecken, wählen Sie im Utility-Menü Ruheposition aus und drücken auf ENTER. Die Richtungstasten dürfen, während sich das Teleskop im Ruhemodus befindet, nicht zum Bewegen verwendet werden.

Sonnenmenü

Aus Sicherheitsgründen wird die Sonne nicht als Datenbankobjekt angezeigt, es sei denn, dies wird zuvor aktiviert. Gehen Sie zum Aktivieren der Sonne ins Sonnenmenü und drücken Sie auf ENTER. Die Sonne wird nun im Planetenkatalog angezeigt und kann als Ausrichtungsobjekt für die Sonnensystem-Ausrichtung verwendet werden. Wählen Sie zum Entfernen der Sonne aus der Anzeige der Handsteuerung erneut das Sonnenmenü im Utility-Menü aus und drücken Sie auf ENTER.

Einstellen der Montierungsposition

Das Menü zum Einstellen der Montierungsposition kann verwendet werden, um Ihre Ausrichtung beim Auskuppeln oder ähnlichen Umständen zu erhalten. Sie könnten diese Funktion beispielsweise nutzen, wenn die Montierung nach einer vollständigen Ausrichtung neu ausbalanciert werden muss. Schwenken Sie zum Einstellen der Montierungsposition auf einen hellen Stern in der Liste der benannten Sterne und wählen Sie Einstellen der Montierungsposition aus. Die Handsteuerung wird mit dem Stern synchronisiert, indem Sie den Stern im Okular zentrieren und die Ausrichten-Taste drücken. Nach der Synchronisation mit

dem Stern können Sie die Montierung in beiden Achsen manuell bewegen, um die Balance wiederherzustellen. Wenn Sie das Teleskop auf Ihr nächstes Objekt schwenken möchten, bedenken Sie bitte, dass Sie den Tubus manuell zum selben hellen Stern zurückführen müssen, um diesen im Okular zu zentrieren. Die Verwendung dieses Werkzeugs hebt den PEC-Index auf.

Das GPS an-/ausschalten – Wenn Sie Ihr Teleskop zusammen mit dem optionalen SkySync-GPS-Zubehör verwenden, müssen Sie das GPS bei der ersten Zubehörunterstützung einschalten. Wenn Sie die Datenbank des Teleskops zum Auffinden der Koordinaten eines Himmelsobjekts zu einem künftigen oder vergangen Datum nutzen möchten, müssen Sie das GPS ausschalten, damit Sie eine von der aktuellen Zeit abweichende Angabe manuell eingeben können.

RTC an-/ausschalten – hiermit können Sie die interne Echtzeituhr des Teleskops ausschalten. Beim Ausrichten empfängt das Teleskop weiterhin Informationen von der RTC. Wenn Sie die Datenbank des Teleskops zum Auffinden der Koordinaten eines Himmelsobjekts zu einem künftigen oder vergangen Datum nutzen möchten, müssen Sie die RTC ausschalten, damit Sie eine von der aktuellen Zeit abweichende Angabe manuell eingeben können.

Periodische Fehlerkorrektur (PEC) – Die PEC wurde konzipiert, um die fotografische Qualität zu verbessern, indem die Amplitude der Schneckenfehler reduziert und die Nachführgenauigkeit des Antriebs erhöht wird. Diese Funktion wird bei der fortgeschrittenen Astrofotografie bei akkurater Polausrichtung Ihres Teleskops verwendet. Weitere Informationen über die PEC-Verwendung finden Sie im Abschnitt „Astrofotografie“ in diesem Handbuch.

Menü benutzerdefinierte Objekte

Ihr Teleskop kann bis zu 400 verschiedene benutzerdefinierte Objekte speichern. Bei diesen Objekten kann es sich um von Ihnen entdeckte terrestrische Tagesobjekte oder interessante Himmelsobjekte handeln, die nicht in der regulären Datenbank vorhanden sind. Es gibt verschiedene Wege, ein Objekt in Abhängigkeit der Art des Objekts zu speichern:

GoTo-Objekt: Gehen Sie zu einem beliebigen benutzerdefinierten Objekt, das in der Datenbank gespeichert ist, scrollen Sie entweder zu „GoTo-Sky-Obj“ oder „GoTo-Land-Obj“, geben Sie die Nummer des Objekts ein, das Sie auswählen möchten und drücken Sie auf ENTER. Das Teleskop wird die Daten automatisch abrufen und die Koordinaten anzeigen, bevor es auf das Objekt schwenkt.

Ein Himmelsobjekt speichern: Ihr Teleskop speichert Himmelsobjekte nach deren Rektaszensions- sowie Deklinationskoordinaten im Himmel in die Datenbank ab. Auf diese Weise kann dasselbe Objekt jedes Mal gefunden werden, wenn das Teleskop ausgerichtet wird. Sobald ein gewünschtes Objekt im Okular zentriert wurde, scrollen Sie einfach zum Befehl „Himmelsobj. speichern“ und drücken auf ENTER. Die Anzeige fordert Sie zur Eingabe einer Nummer zwischen 1 und 200 auf, um das Objekt zu identifizieren. Drücken Sie erneut auf ENTER, um dieses Objekt in die Datenbank zu speichern.

Datenbank (Db) speichern

- **Objekt:** Mithilfe dieser Funktion können Sie Ihre eigene Benutzertour aus Datenbankobjekten anlegen, indem die aktuelle Teleskopposition zusammen mit dem Namen eines aus einem beliebigen Datenbankkatalog ausgewählten

Objekts gespeichert wird. Auf diese Objekte kann nun über die GoTo-Himmelsobjekt-Auswahl zugegriffen werden.

- **RA – DEK eingeben:** Sie können auch spezifische Koordinaten für ein Objekt speichern, indem Sie einfach die RA sowie die Deklination dieses Objekts eingeben. Scrollen Sie zum Befehl „RA-DEK eingeben“ und drücken Sie auf ENTER. Die Anzeige fordert Sie nun dazu auf, zuerst die RA und anschließend die Deklination des gewünschten Objekts einzugeben.
- **Ein terrestrisches Objekt speichern:** Das Teleskop kann auch als Spektiv für terrestrische Objekte genutzt werden. Feststehende terrestrische Objekte können gespeichert werden, indem relativ zum Standort des Teleskops zum Betrachtungszeitpunkt Höhe und Azimut gespeichert werden. Da sich diese Objekte relativ zum Standort des Teleskops befinden, sind deren Daten nur für exakt diesen Standort gültig. Terrestrische Objekte werden gespeichert, indem das gewünschte Objekt erneut im Okular zentriert wird. Scrollen Sie zum Befehl „Terrestrisches Obj. speichern“ und drücken Sie auf ENTER. Die Anzeige fordert Sie zur Eingabe einer Nummer zwischen 1 und 200 auf, um das Objekt zu identifizieren. Drücken Sie erneut auf ENTER, um dieses Objekt in die Datenbank zu speichern.

Um Inhalte eines beliebigen benutzerdefinierten Objekts zu ändern, können Sie einfach ein neues Objekt unter der bereits bestehenden Identifikationsnummer speichern; das Teleskop ersetzt das vorherige benutzerdefinierte Objekt durch das aktuelle Objekt.

RA/DEK aufrufen - Hierbei werden Rektaszension und Deklination der aktuellen Teleskopposition angezeigt.

GoTo-RA/DEK - Sie können eine spezifische RA bzw. Deklination eingeben und darauf schwenken.

Hinweis: Um ein Koordinatenpaar (RA/DEK) dauerhaft in der Datenbank zu speichern, kann es als benutzerdefiniertes Objekt, wie oben beschrieben, gespeichert werden.

Identifizieren

Der Identifizierungsmodus durchsucht einen beliebigen Datenbankkatalog der Montierung bzw. Name und Offset-Distanzen des nächsten passenden Objekts werden aufgelistet und angezeigt. Diese Funktion kann zwei Zwecke erfüllen: Erstens kann sie zur Identifikation eines unbekanntes Objekts im Sichtfeld Ihres Okulars verwendet werden. Außerdem kann der Identifizierungsmodus zur Lokalisierung anderer Himmelsobjekte, die dicht an den gegenwärtig von Ihnen beobachteten Objekten liegen, verwendet werden. Wenn Ihr Teleskop z. B. auf den hellsten Stern im Sternbild Lyra gerichtet ist, können Sie Identifizieren wählen. Daraufhin wird der Katalog der benannten Sterne zweifelsohne den Stern Vega als den von Ihnen beobachtete Stern angeben. Wenn Sie Identifizieren wählen oder in den Katalogen der benannten Objekte bzw. der Messierobjekte suchen, weist Sie die Handsteuerung darauf hin, dass sich der Ringnebel (M57) ca. 6° von Ihrer aktuellen Position befindet. Eine Durchsichtung des Doppelsternkatalogs ergibt, dass sich Epsilon Lyrae nur 1° von Vega entfernt befindet. Die Identifizierungsfunktion verwenden:

- Auf die Menütaste drücken und die Option Identifizieren auswählen.
- Die Aufwärts-/Abwärts-Scrolltasten verwenden, um den

Katalog, in dem gesucht werden soll, auszuwählen.

- Drücken Sie auf ENTER, um mit der Suche zu beginnen.

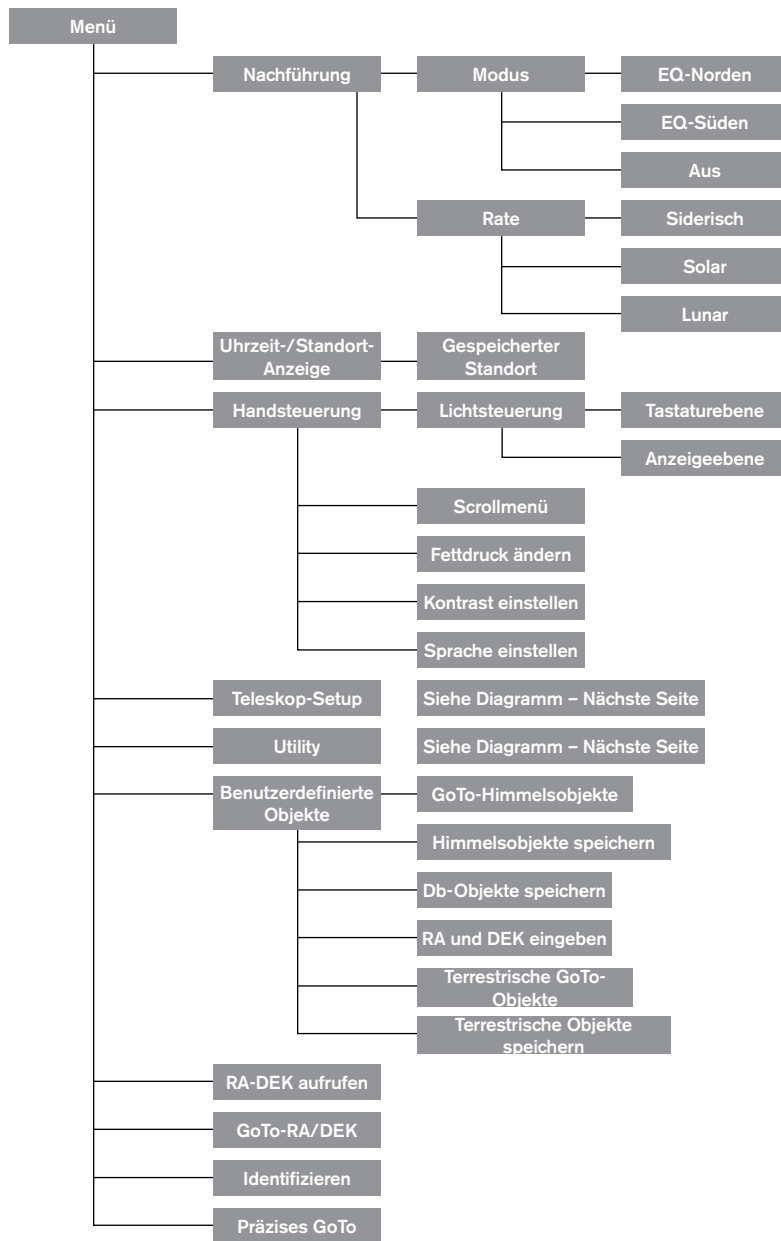
Hinweis: Manche Datenbanken umfassen Tausende von Objekten, und daher kann es einige Minuten dauern, bis das nächstliegende Objekt aufgerufen wird.

Präzises GoTo

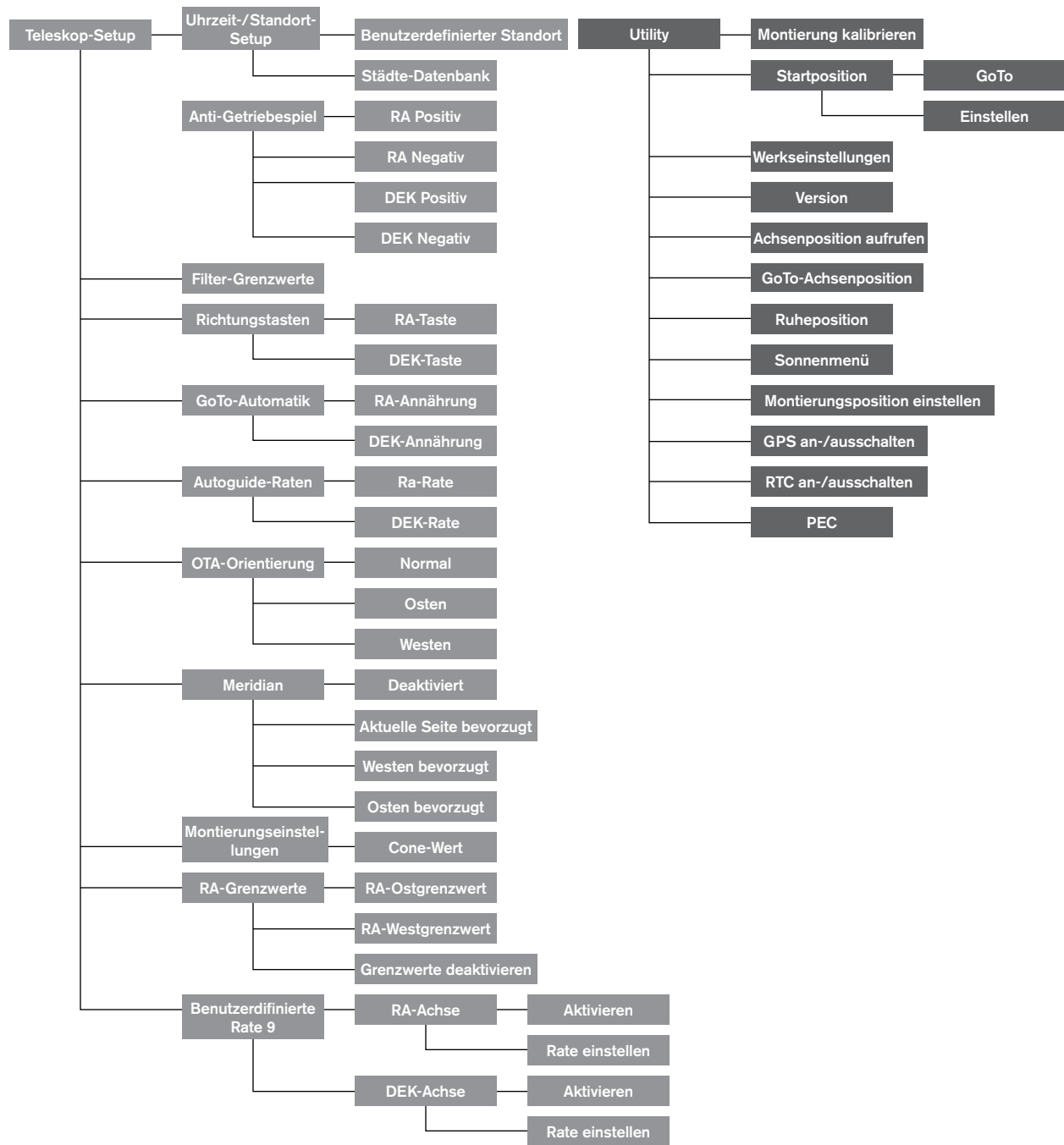
Die Montierung verfügt über eine GoTo-Funktion zum präzisen Annähern, die beim Auffinden extrem lichtschwacher Objekte sowie bei der Objekt-Zentrierung im Sichtfeld für die Astrofotografie behilflich ist. Diese GoTo-Funktion sucht automatisch nach dem hellen Stern, der dem gewünschten Objekt am nächsten liegt, und fordert den Benutzer dazu auf, den Stern sorgfältig im Objektiv zu zentrieren. Die Handsteuerung berechnet nun die kleine Differenz zwischen der GoTo-Position und der zentrierten Position. Aufgrund dieser Aufrechnung schwenkt die Montierung nun mit erhöhter Genauigkeit auf das gewünschte Objekt. Das präzise GoTo verwenden:

1. Drücken Sie die MENÜ-Taste und wählen Sie mithilfe der Aufwärts- und Abwärts-Tasten das „Präzises GoTo“ aus.
 - Wählen Sie Datenbank, wenn Sie das Objekt, das Sie betrachten möchten, aus einer Datenbankkatalogauslistung auswählen möchten oder;
 - Wählen Sie RA/DEK, um ein Himmelskoordinatenpaar einzugeben, auf das zugeschwenkt werden soll.
2. Sobald das gewünschte Objekt ausgewählt ist, wird der Ihrem gewünschten Objekt am nächsten liegende helle Stern von der Handsteuerung gesucht und angezeigt. Drücken Sie auf ENTER, um zum hellen Ausrichtungstern zu schwenken.
3. Verwenden Sie die Richtungstasten, um den Ausrichtungstern sorgfältig im Okular zu zentrieren.
4. Drücken Sie auf ENTER, um auf das gewünschte Objekt zu schwenken.

Hauptmenübaum des Advanced VX



Hauptmenübaum des Advanced VX



Aufsetzen der Teleskoptuben

Je nach erworbenem Teleskopset haben Sie eine der folgenden optischen Tuben erhalten. Dieser Abschnitt erklärt Ihnen schrittweise das Einrichten der Grundtypen.

Set-Nr.	22020	32054	32062	12031
Optisches Design	Refraktor	Newton	Newton	Edge HD
Durchmesser	6" (150mm)	6" (150mm)	8" (200mm)	8" (203mm)
Brennweite	1200mm f/8	750mm f/5	1000mm f/5	2032mm f/10
Okular	20mm (60x) - 1.25" (3,1 cm)	20mm (38x) - 1.25" (3,1 cm)	20mm (50x) - 1.25" (3,1 cm)	40mm (51x) - 1.25" (3,1 cm)
Suchfernrohr	9x50	6x30	9x50	9x50
Zenitspiegel	90° - 1.25" (228,5 cm- 3,1 cm)	-	-	90° - 1.25" (228,5 cm- 3,1 cm)
Halterung	Advanced VX	Advanced VX	Advanced VX	Advanced VX
Stativ	2" (5 cm) Edelstahl	2" (5 cm) Edelstahl	2" (5 cm) Edelstahl	2" (5 cm) Edelstahl
Gegengewichte	2x 12 lbs (5,5 Kg)	1x 12 lb (5,5 Kg)	2x 12 lb (5,5 Kg)	1x 12 lb (5,5 Kg)
Tubuslänge	51" (128 cm)	27" (69 cm)	27" (69 cm)	17" (43 cm)
Tubusgewicht	19 lbs (8,6 Kg)	10 lb (4,5 Kg)	14 lb (6,3 Kg)	13 lb (5,8 Kg)

Set-Nr.	12025	12079	12026	12046
Optisches Design	Schmidt-Cassegrain	Schmidt-Cassegrain	Schmidt-Cassegrain	Schmidt-Cassegrain
Durchmesser	5" (125mm)	6" (150mm)	8" (203mm)	9-1/4" (235mm)
Brennweite	1250mm f/10	1500mm f/10	2032mm f/10	2350mm f/10
Okular	25mm (50x) - 1.25"	20mm (75x) - 1.25"	25mm (81x) - 1.25"	25mm (94x) - 1.25"
Suchfernrohr	6x30	6x30	6x30	6x30
Zenitspiegel	90° - 1.25" (228,5 cm- 3,1 cm)	90° - 1.25" (228,5 cm- 3,1 cm)	90° - 1.25" (228,5 cm- 3,1 cm)	90° - 1.25" (228,5 cm- 3,1 cm)
Halterung	Advanced VX	Advanced VX	Advanced VX	Advanced VX
Stativ	2" (5cm) Edelstahl	2" (5cm) Edelstahl	2" (5cm) Edelstahl	2" (5cm) Edelstahl
Gegengewichte	1x 12 lb (5,5 Kg)	1x 12 lb (5,5 Kg)	1x 12 lb (5,5 Kg)	2x 12 lb (5,5 Kg)
Tubuslänge	13" (33 cm)	16" (40 cm)	17" (43 cm)	22" (56 cm)
Tubusgewicht	10 lb (4,5 Kg)	10 lb (4,5 Kg)	12 lb (5,5 Kg)	21 lb (9,5 Kg)

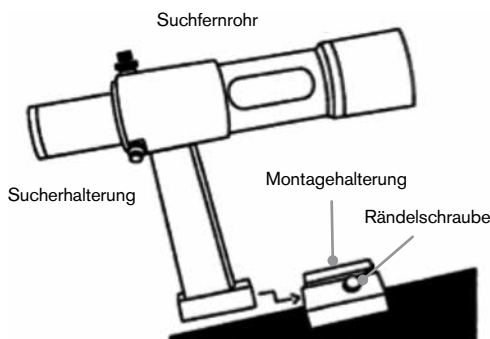
Set-Nr.	12067
Optisches Design	Schmidt-Cassegrain
Durchmesser	11" (280mm)
Brennweite	2800mm f/10
Okular	40mm (70x) - 1.25"
Suchfernrohr	9x50
Zenitspiegel	90° - 1.25" (228,5 cm- 3,1 cm)
Halterung	Advanced VX
Stativ	2" (5cm) Edelstahl
Gegengewichte	3x 12 lb (5,5 Kg)
Tubuslänge	24" (61 cm)
Tubusgewicht	28 lb (12,7 Kg)

Aufsetzen des Refraktors (Nr. 21020)

Installieren des Suchfernrohrs

Um das Suchfernrohr am Teleskop zu installieren, muss das Suchfernrohr zuerst an der Sucherhalterung und anschließend am Teleskop abgebracht werden. Im hinteren Bereich des Teleskoptubus, in der Nähe der Fokusbaugruppe, befindet sich eine kleine Halterung mit Rändelschraube. Dort wird die Suchfernrohr-Halterung montiert. Installation des Suchfernrohrs:

1. Schieben Sie den Gummi-O-Ring über das Okularende des Suchfernrohrs und rollen Sie ihn um 2/3 der Suchfernrohrlänge nach oben.
2. Schieben Sie das Okularende des Suchfernrohrs durch die Halterung, bis der O-Ring fest zwischen Sucher und Halterungssinnenseite festgepresst ist.

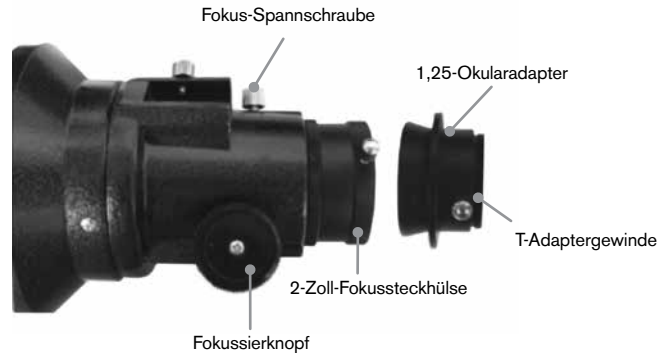


3. Ziehen Sie die Rändelschrauben fest, bis diese mit dem Suchfernrohrkorpus in Kontakt kommen.
4. Lokalisieren Sie die Montagehalterung nahe des hinteren (offenen) Teleskopendes.
5. Lösen Sie die Rändelschraube auf der Montagehalterung des Teleskops.
6. Schieben Sie die Sucherhalterung (angebracht am Suchfernrohr) in die Montagehalterung am Teleskop.
7. Die Halterung des Suchfernrohrs wird von hinten eingeschoben. Das Suchfernrohr sollte so ausgerichtet sein, dass das Objektiv in Richtung des vorderen (offenen) Teleskopendes zeigt.
8. Ziehen Sie die Rändelschraube auf der Montagehalterung an, um das Suchfernrohr zu arretieren.

Installation der Okulare

Beim Okular handelt es sich um ein optisches Element, das ein mit dem Teleskop fokussiertes Bild vergrößert. Ohne das Okular wäre eine Benutzung des Teleskops zur Visualisierung nicht möglich. Das Okular passt direkt auf den Fokus. Ein Okular anbringen:

1. Lösen Sie die Rändelschraube des Okularadapters, sodass Sie nicht mehr in den Innenraum der Steckhülse hineinragt.
2. Schieben Sie den Okularteil aus Chrom in den Fokus.
3. Ziehen Sie die Rändelschraube fest, um das Okular zu arretieren.



Um das Okular zu entfernen, drehen Sie die Rändelschraube am Fokus los und schieben das Okular heraus. Sie können es durch ein anderes Okular ersetzen.

Okulare werden in der Regel durch Angabe von Brennweite und Steckhülsendurchmesser referenziert. Die Brennweite jedes Okulars ist auf der Steckhülse des Okulars aufgedruckt. Je größer die Brennweite (d. h. je größer deren Zahl), desto kleiner die Okularvergrößerung (d. h. die Vergrößerungsleistung). Je geringer die Brennweite (d. h. je kleiner deren Zahl), desto stärker ist die Okularvergrößerung. Im Allgemeinen werden Sie bei der Beobachtung eine niedrige bis mäßige Vergrößerungsleistung verwenden.

Ihr Refraktor-Teleskop kann Okulare mit 1,25-Zoll- und 2-Zoll-Steckhülse verwenden. Um eine 2-Zoll-Okularsteckhülse zu verwenden, muss der 1,25-Zoll-Okularadapter zuvor entfernt werden. Dazu werden einfach die beiden Chrom-Klemmschrauben um die Fokussiersteckhülse gelöst und der 1-1/4-Zoll-Adapter entfernt. Nach dem Entfernen kann ein 2-Zoll-Okular oder -Zubehör direkt in die Fokussiersteckhülse eingesetzt und mit den beiden Klemmschrauben arretiert werden.

Ihr Teleskop ist mit einem 1,25-Zoll-Zenit Spiegel ausgestattet. Dieser Spiegel passt in das Ende des 1,25-Zoll-Adapters und versetzt Sie in die Lage, 1,25-Zoll-Okulare in einem komfortableren Winkel zum Betrachten des nahen Zenits zu verwenden.

Aufsetzen des Newtonschen Reflektors (Nr. 32054 und Nr. 32062)

Installieren des Suchfernrohrs

Um das Suchfernrohr am Teleskop zu installieren, muss das Suchfernrohr zuerst an der Sucherhalterung und anschließend am Teleskop abgebracht werden. Im hinteren Bereich des Teleskoptubus, in der Nähe der Fokus-Baugruppe, befindet sich eine kleine Halterung mit Rändelschraube. Dort wird die Suchfernrohr-Halterung montiert. Installation des Suchfernrohrs:

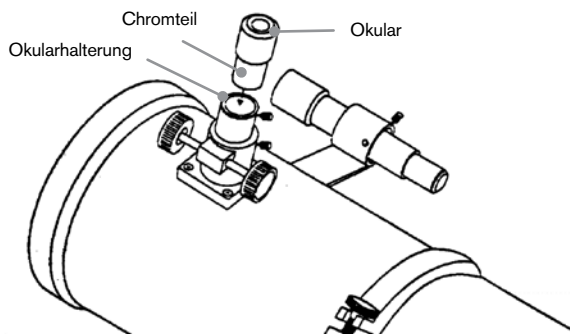
1. Schieben Sie den Gummi-O-Ring über das Okularende des Suchfernrohrs und rollen Sie ihn um 2/3 der Suchfernrohrlänge nach oben.

- Schieben Sie das Okularende des Suchfernrohrs durch die Halterung, bis der O-Ring fest zwischen Sucher und Halterungssinnenseite festgepresst ist.
- Ziehen Sie die Rändelschrauben fest, bis diese mit dem Suchfernrohrkorpus in Kontakt kommen.
- Lokalisieren Sie die Montagehalterung nahe des hinteren (offenen) Teleskopendes.
- Lösen Sie die Rändelschraube auf der Montagehalterung des Teleskops.
- Schieben Sie die Sucherhalterung (angebracht am Suchfernrohr) in die Montagehalterung am Teleskop.
- Die Halterung des Suchfernrohrs wird von hinten eingeschoben. Das Suchfernrohr sollte so ausgerichtet sein, dass das Objektiv in Richtung des vorderen (offenen) Teleskopendes zeigt.
- Ziehen Sie die Rändelschraube auf der Montagehalterung an, um das Suchfernrohr zu arretieren.

Installation der Okulare

Beim Okular handelt es sich um ein optisches Element, das ein mit dem Teleskop fokussiertes Bild vergrößert. Ohne das Okular wäre eine Benutzung des Teleskops zur Visualisierung nicht möglich. Das Okular passt direkt in die Okularhalterung. Ein Okular anbringen:

- Lösen Sie die Rändelschraube der Okularhalterung, sodass sie nicht mehr in den Innenraum der Okularhalterung hineinragt.
- Schieben Sie den Okularteil aus Chrom in die Okularhalterung.
- Ziehen Sie die Rändelschraube fest, um das Okular zu arretieren.



Um das Okular zu entfernen, drehen Sie die Rändelschraube an der Okularhalterung los und schieben das Okular heraus. Sie können es durch ein anderes Okular ersetzen. Okulare werden in der Regel über die Brennweite referenziert, die auf der Okularsteckhülse aufgedruckt ist. Je größer die Brennweite (d. h. je größer deren Zahl), desto kleiner ist die Okularvergrößerung. Je geringer die Brennweite (d. h. je kleiner deren Zahl), desto stärker die Okularvergrößerung. Im Allgemeinen werden Sie bei der Betrachtung eine niedrige bis mäßige Vergrößerungsleistung verwenden.

Wenn Sie den newtonschen 8-Zoll-Teleskoptubus (Nr. 32062) haben, kann Ihr Teleskop Okulare mit 1,25-Zoll- und 2-Zoll-Steckhülsendurchmesser verwenden. Um eine 2-Zoll-Okularsteckhülse zu verwenden, muss der 1,25-Zoll-Okularadapter zuvor entfernt und durch den mitgelieferten 2-Zoll-Okularadapter ersetzt werden. Dazu werden einfach die beiden Chrom-Klemmschrauben um die Fokussiersteckhülse gelöst und der 1,25-Zoll-Adapter entfernt. Nach dem Entfernen kann ein 2-Zoll-Okularadapter direkt in die Fokussiersteckhülse eingesetzt und mit den beiden Klemmschrauben arretiert werden.

Die EdgeHD- und Schmidt-Cassegrain-Teleskoptuben aufsetzen (Nr. 12031, Nr. 12079, Nr. 12025, Nr. 12026, Nr. 12046 und Nr. 12067)

Den Zenitspiegel anbringen

Der Zenitspiegel ist ein Prisma, welches das Licht in einem rechten Winkel zum Lichtpfad des Teleskops ableitet. Dies erlaubt Ihnen das Beobachten in einer bequemeren Position, als wenn Sie gerade hindurchschauen würden. Den Zenitspiegel auf dem Teleskoptubus anbringen:

- Drehen Sie die Rändelschraube am Okularadapter los, bis diese nicht länger in den Innenraum des Okularadapters hineinragt (d. h. dieser nicht mehr versperrt).
- Schieben Sie das Chromteil des Zenitspiegels in den Okularadapter.
- Ziehen Sie die Rändelschraube des Okularadapters an, um den Zenitspiegel zu arretieren.



Wenn Sie die Orientierung des Zenitspiegels ändern möchten, drehen Sie die Rändelschraube am Okularadapter los, bis sich der Zenitspiegel frei drehen lässt. Drehen Sie den Zenitspiegel in die gewünschte Position und ziehen Sie die Rändelschraube fest.

Das Okular anbringen

Das Okular ist ein optisches Element, welches das vom Teleskop fokussierte Bild vergrößert. Das Okular passt entweder direkt auf den Okularadapter oder auf den Zenitspiegel. Installation des Okulars:

- Lösen Sie die Rändelschraube des Zenitspiegels, bis deren Spitze nicht länger in den Innenraum des Zenitspiegel Okularendes hineinragt.
- Schieben Sie den Okularteil aus Chrom in den Zenitspiegel.
- Ziehen Sie die Rändelschraube auf dem Zenitspiegel an, um das Okular zu arretieren.

Um das Okular zu entfernen, drehen Sie die Rändelschraube am Zenitspiegel los und schieben das Okular heraus. Sie können es durch ein anderes Okular (separat erworben) ersetzen.

Okulare werden in der Regel durch Angabe von Brennweite und Steckhülsendurchmesser referenziert. Die Brennweite jedes Okulars ist auf der Steckhülse des Okulars aufgedruckt. Je größer die Brennweite (d. h. je größer deren Zahl), desto geringer ist die Okularvergrößerung. Je geringer die Brennweite (d. h. je kleiner deren Zahl), desto stärker die Vergrößerung. Im Allgemeinen werden Sie bei der Beobachtung eine niedrige bis mäßige Vergrößerungsleistung verwenden. Weitere Informationen zum Bestimmen der Vergrößerungsleistung siehe Abschnitt „Die Vergrößerung berechnen“.

Installieren des 6x30-Suchfernrohrs

Die 5-Zoll-, 6-Zoll-, 8-Zoll- und 9-1/4-Zoll-Schmidt-Cassegrain Teleskope sind mit einem 6x30-Suchfernrohr ausgestattet, welches das Auffinden und Zentrieren von Objekten im Hauptfeld Ihres Teleskops erleichtert. Um dies zu erreichen, verfügt der Sucher über ein integriertes Fadenkreuz-Retikel, das die optische Mitte des Suchfernrohrs anzeigt.

Installation des Suchfernrohrs:

1. Die Halterung wird am optischen Tubus angebracht. Hierzu legen Sie den gebogenen Halterungsteil mit dem Schlitz über die beiden Bohrungen der hinteren Zelle. Die Halterung sollte so ausgerichtet sein, dass sich die Ringe, die den Sucher halten, über dem Teleskoptubus und nicht über der hinteren Zelle befinden. Drehen Sie nun die Schrauben per Hand hinein und ziehen Sie sie mit einem Schraubendreher vollständig fest.



2. Drehen Sie die drei Nylon-Klemmschrauben, die den Sucher im Inneren der Halterung arretieren, teilweise an. Ziehen Sie die Schrauben fest, bis die Nylon-Köpfe mit dem Innenraum des Halterungsrings bündig abschließen. Drehen Sie die NICHT komplett hinein, da sie ansonsten das Positionieren des Suchers stören. (Es ist einfacher, die Schrauben an Ort und Stelle zu haben, wenn der Sucher installiert wird, als zu versuchen, die Schrauben nach der Installation des Suchers anzubringen.)
3. Schieben Sie den Gummi-O-Ring über die Sucherrückseite (er passt NICHT über Objektivende des Suchers). Eventuell müssen Sie ihn etwas dehnen. Sobald er sich auf dem Sucherkorpus befindet, können Sie ihn etwa 2,5 cm über das Sucherende hinaus schieben.
4. Drehen Sie den Sucher, bis ein Fadenkreuz parallel zur RA-Achse und das andere parallel zur DEK-Achse ausgerichtet ist.
5. Schieben Sie das Okularende des Suchers vorne in die Halterung.

6. Ziehen Sie die drei Nylon-Klemmschrauben am vorderen Halterungsring leicht an, damit der Sucher an Ort und Stelle bleibt.
7. Schieben Sie die Sucherrückseite nun weiter, bis der O-Ring fest im hinteren Ring der Sucherhalterung sitzt.
8. Ziehen Sie die drei Nylon-Klemmschrauben per Hand an, bis sie festsitzen.

Installieren des 9x50-Suchfernrohrs

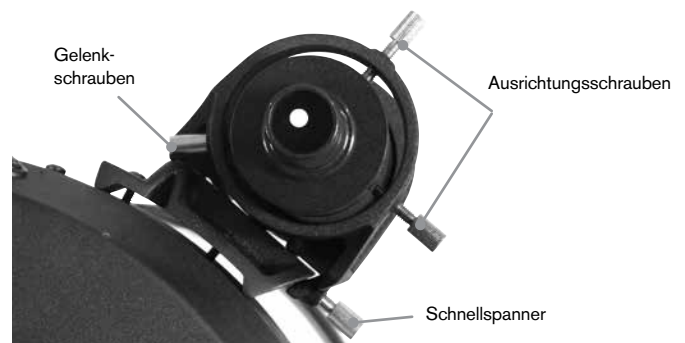
Die 8-Zoll-EdgeHD und 11-Zoll-Schmidt-Cassegrain-Teleskope sind mit einem 9x50-Suchfernrohr ausgestattet, welches das Auffinden und Zentrieren von Objekten im Hauptfeld Ihres Teleskops erleichtert. Um dies zu erreichen, verfügt der Sucher über ein integriertes Fadenkreuz-Retikel, das die optische Mitte des Suchfernrohrs anzeigt. Das Suchfernrohr muss zuerst an den mitgelieferten Schnellspanner montiert und anschließend auf der hinteren Teleskopzelle angebracht werden. Installation des Suchfernrohrs:

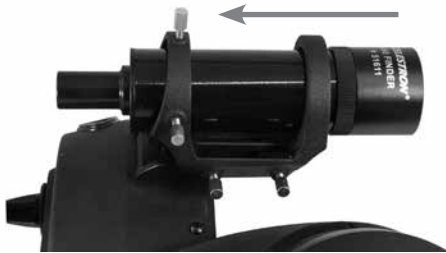
1. Die Montagehalterung des Suchfernrohrs befindet sich an der Unterseite der Sucherhalterung. Lösen Sie die beiden Klemmschrauben, um die Montagehalterung von der Halterung des Suchfernrohrs schieben zu können.
2. Wenn Sie von der Tubusrückseite aus darauf schauen, befinden sich die beiden Bohrungen in der hinteren Teleskopzelle oben links.
3. Legen Sie die Montagehalterung über die beiden Bohrungen in der hinteren Zelle des optischen Tubus.
4. Setzen Sie die Schrauben durch die Halterung in die hintere Zelle ein.

WARNUNG: Drehen Sie die Schrauben nicht vollständig in die hintere Teleskopzelle hinein, wenn Sie die Montagehalterung entfernen. Die Schrauben könnten lang genug sein, um die Bewegung des Primärspiegels zu behindern oder diesen sogar zu beschädigen.

Ist die Halterung fest am Teleskop angebracht, können Sie den Sucher an der Halterung befestigen.

1. Schieben Sie dazu den O-Ring über den hinteren Teil des Suchfernrohrs und positionieren Sie ihn so auf dem Tubus, dass er in Richtung des Objektivendes des Suchfernrohrs zeigt.
2. Schieben Sie das Okularende des Suchfernrohrs in den vorderen Halterungsring (der vordere Ring weist keine Einstellschrauben auf) und anschließend in den hinteren Ring. Es könnte nötig sein, die federbelastete Gelenkschraube nach unten zu drücken, sodass der Sucher durch den hinteren Ring passt.
3. Schieben Sie den Sucher zurück, bis der O-Ring das Innere des vorderen Rings der Sucherhalterung abschließt.
4. Ziehen Sie die beiden Ausrichtungsklemmschrauben per Hand so weit an, dass Sie mit dem Suchfernrohr in Kontakt kommen.





Justieren des Suchfernrohrs

Das Suchfernrohr wird mithilfe zweier Einstellschrauben, die sich oben und rechts (wenn Sie durch den Sucher schauen) auf der Sucherhalterung befinden sowie einer federgeladenen Gelenkschraube (links an der Halterung) ausgerichtet. Dies ermöglicht es Ihnen, die obere Einstellschraube zu drehen, um das Suchfernrohr auf und ab zu bewegen, und die rechte Einstellschraube zu drehen, um das Suchfernrohr von rechts nach links zu bewegen. Die federgeladene Gelenkschraube übt auf den Sucher einen konstanten Druck aus, sodass die Einstellschrauben mit dem Sucher immer in Kontakt bleiben.

Um das Ausrichten zu erleichtern, sollten Sie diesen Schritt bei Tageslicht unternehmen, wenn es einfacher ist, Objekte ohne Sucher im Teleskop auszumachen. Den Sucher ausrichten:

1. Wählen Sie ein auffälliges Objekt aus, das sich mindestens eine Meile entfernt befindet. Dies verhindert jeden möglichen Parallaxeneffekt zwischen dem Teleskop und dem Sucher.
2. Richten Sie Ihr Teleskop auf das ausgewählte Objekt aus und zentrieren Sie es in der Hauptoptik des Teleskops.
3. Arretieren Sie die Azimut- und Höhenklemmen, um das Teleskop in seiner Position festzustellen.
4. Überprüfen Sie den Sucher, um zu sehen, wo sich das Objekt im Sichtfeld befindet.
5. Passen Sie die Klemmschrauben an der Sucherhalterung an, bis das Fadenkreuz auf das Ziel zentriert ist.

Die Objektivkappe entfernen

EdgeHD- und Schmidt-Cassegrain-Teleskope verwenden eine Objektivkappe mit einem Bajonett-Verriegelungsmechanismus, um sie in Position zu halten. Halten Sie zum Abnehmen der Objektivkappe die Abdeckung fest und drehen Sie den Außenrand $\frac{1}{2}$ -Zoll gegen den Uhrzeigersinn, um ihn abzdrehen.

Polausrichtung der Montierung

Breitenskalen

Die einfachste Art und Weise, ein Teleskop auszurichten, ist mithilfe einer Breitenskala. Im Gegensatz zu andern

Verfahren, die ein Auffinden des Himmelspols erfordern, indem bestimmte Sterne in der Nähe identifiziert werden, arbeitet diese Methode mit einer bekannten Konstante, um zu ermitteln, wie hoch die Polachse anvisiert werden müsste. Das Advanced VX kann zwischen 7 und 77 Grad ausgerichtet werden.

Die oben erwähnte Konstante ergibt sich aus dem Verhältnis zwischen Ihrem Breitengrad und dem Winkelabstand des Himmelspols über dem nördlichen (oder südlichen) Horizont; der Winkelabstand vom nördlichen Horizont zum nördlichen Himmelspol ist grundsätzlich mit Ihrem Breitengrad identisch. Stellen Sie sich zur Veranschaulichung vor, dass Sie am Nordpol mit dem Breitengrad von $+90^\circ$ stehen. Der nördliche Himmelspol ist grundsätzlich mit Ihrem Breitengrad identisch. Stellen Sie sich zur Veranschaulichung vor, dass Sie am Nordpol mit dem Breitengrad von $+90^\circ$ stehen. Der nördliche Himmelspol, der eine Deklination von $+90^\circ$ aufweist, würde sich direkt über Ihrem Kopf befinden (d. h. 90° über dem Horizont). Angenommen, Sie bewegen sich nun ein Grad nach Süden - Ihr Breitengrad beträgt nun $+89^\circ$ und der Himmelspol befindet sich nun nicht mehr direkt über Ihrem Kopf. Er ist um einen Grad näher an den nördlichen Horizont gerückt. Das bedeutet, dass der Pol jetzt 89° über dem nördlichen Horizont steht. Wenn Sie noch einen Grad weiter nach Süden gehen, passiert das Gleiche noch einmal. Sie würden 70 Meilen nach Norden oder Süden fahren müssen, um Ihren Breitengrad um einen Grad zu ändern. Wie Sie aus diesem Beispiel ersehen, ist die Distanz vom nördlichen Horizont zum Himmelspol immer gleich Ihrem Breitengrad.



Wenn Ihr Beobachtungsstandort Los Angeles, Breitengrad 34° , ist, befindet sich der Himmelspol 34° über dem nördlichen Horizont. Eine Breitenskala macht nichts weiter, als dass sie die Polachse des Teleskops in die richtige Höhe über den nördlichen (oder südlichen) Horizont ausrichtet.

Das Teleskop ausrichten:

1. Stellen Sie sicher, dass die Polachse der Montierung in den wahren Norden zeigt. Verwenden Sie eine Markierung, von der Sie wissen, dass sie nach Norden gerichtet ist.
2. Nivellieren Sie das Stativ. Zu diesem Zweck wurde eine Libelle in die Montierung integriert.
3. Justieren Sie die Höhe der Montierung, bis die Breitenanzeige auf Ihre Breite zeigt. Ein Bewegen der Montierung wirkt sich auf den Winkel aus, in den die Polachse zeigt. Nähere Informationen zur Einstellung der Äquatorialen Montierung finden Sie im Abschnitt „Die Montierung ausrichten“.

Dieses Verfahren kann bei Tageslicht durchgeführt werden, wodurch Nachtversuche vermieden werden. Obwohl sich dieses Verfahren **NICHT** direkt am Pol ausrichtet, schränkt es doch die Anzahl der Korrekturen ein, die Sie bei der Nachführung eines Objekts vornehmen werden. Es

ist auch exakt genug für kurze Belichtungszeiten bei der Primärfokus-Planetenfotografie (ein paar Sekunden) und für kurze Belichtungszeiten bei der Hücke-pack-Astrofotografie (ein paar Minuten).

Polausrichtung mithilfe der Handsteuerung

Die Advanced VX-Montierung ist mit einer Polausrichtungsfunktion namens „All-Star“-Polausrichtung ausgestattet, die Ihnen die Polausrichtung Ihres Teleskops für eine erhöhte Nachführgenauigkeit und die Astrofotografie erleichtert. Mithilfe dieser Funktion können Sie einen beliebigen hellen Ausrichtungstern auswählen, der die akkurate Ausrichtung Ihrer Teleskopmontierung am nördlichen Himmelspol unterstützt. Bevor Sie die Polausrichtungsfunktion verwenden können, muss das Teleskop zuerst grob Richtung Norden zeigen und sollte mithilfe dreier Sterne am Himmel ausgerichtet sein. Zum Auffinden des Nordens und zur Ausrichtung der Montierung auf eine Breite siehe Abschnitt „Breitenskala“.

Sobald Ihr Teleskop auf zwei Sterne und mindestens einen zusätzlichen Kalibrierungstern ausgerichtet ist, können Sie das Teleskop zu einem beliebigen hellen Stern aus der Datenbankliste benannter Sterne schwenken. Wählen Sie für optimale Ergebnisse einen Polausrichtungstern, der hoch genug am Himmel und nahe des Meridians steht. Vermeiden Sie Sterne, die nahe des westlichen/östlichen Horizonts, direkt über Ihrem Kopf oder zu nahe am Himmelspol stehen. Drücken Sie nach Abschluss auf die Ausrichten-Taste und verwenden Sie die Aufwärts-/Abwärts-Tasten auf der Handsteuerung, um die Polausrichtung aus der Liste auszuwählen.

Die Montierung ausrichten – nach der Zweisternausrichtung mit einem Kalibrierungstern und dem Schwenk Ihres Teleskops auf einen beliebigen Stern der Teleskopdatenbank, können Sie die Option „Montierung ausrichten“ wählen. Das Teleskop schwenk nun weg und erneut auf denselben Stern zu.

1. Die Handsteuerung fordert Sie nun dazu auf, den Stern im Suchfernrohr neu zu zentrieren und auf ENTER zu drücken.
2. Die Handsteuerung fordert Sie dazu auf, den Stern anschließend im Okular zu zentrieren und auf AUSRICHTEN zu drücken. Das Teleskop wird jetzt auf diesen Stern „synchronisiert“ und schwenkt in die Position, in der sich der Stern befinden sollte, wenn die Polausrichtung exakt ausgeführt wurde.

Hinweis: Für eine optimale Ausrichtung ist es am besten, ein Retikel- oder ein hoch vergrößerndes Okular zu verwenden, damit der Stern präzise im Sichtfeld zentriert werden kann.

3. Nutzen Sie die Breitengrad- und Azimutjustierung der Montierung, um den Stern mittig im Okular zu platzieren. Verwenden Sie zum Positionieren des Sterns jedoch nicht die Richtungstasten auf der Handsteuerung. Sobald der Stern im Okular zentriert ist, drücken Sie auf ENTER; die Polachse sollte nun in Richtung des nördlichen Himmelspols zeigen.

Ihre Sternausrichtung aktualisieren

Nach der Polausrichtung ist es sinnvoll, die Zeigegenauigkeit des Teleskops zu überprüfen, um zu sehen, inwieweit diese durch ein Bewegen der Montierung beeinflusst wurde. Da eine Polausrichtung vor Beginn die „Synchronisation“ des Teleskops auf einen hellen Stern erfordert, muss die Synchronisation vor der Neuausrichtung aufgehoben werden. Die Synchronisation aufheben:

- Drücken Sie auf die Ausrichten-Taste und verwenden Sie

die Aufwärts-/Abwärts-Tasten auf der Handsteuerung, um die Funktion Synchronisation aufheben aus der Liste auszuwählen und drücken Sie auf Enter. Auf dem LCD wird die Meldung „Abgeschlossen“ angezeigt.

Das Teleskop neu ausrichten:

1. Schwenken Sie das Teleskop zu einem der ursprünglichen Ausrichtungsterne oder einem anderen hellen Stern, falls sich die ursprünglichen Ausrichtungsterne nicht mehr an einem günstigen Standort befinden. Drücken Sie auf die Ausrichten-Taste und verwenden Sie die Aufwärts-/Abwärts-Tasten auf der Handsteuerung, um die „Ausrichtungsterne“ aus der Liste auszuwählen.
2. Die Handsteuerung fragt nach, ob die ursprünglichen Ausrichtungsterne ersetzt werden sollen. Verwenden Sie die Aufwärts-/Abwärts-Tasten, um den gewünschten Stern auszuwählen und drücken Sie auf Enter.
3. Zentrieren Sie den Stern erneut im Suchfernrohr und drücken Sie auf Enter.
4. Zentrieren Sie den Stern in Okular und drücken Sie auf Ausrichten.
5. Wiederholen Sie diesen Vorgang für den zweiten Ausrichtungstern.

Für eine erhöhte All-Sky-Zeigegenauigkeit ist es sinnvoll, auf mindestens einen zusätzlichen Kalibrierungstern auf der gegenüberliegenden Meridianseite auszurichten. Einen Kalibrierungstern hinzufügen:

1. Schwenken Sie das Teleskop auf einen hellen Stern auf der Meridianseite, die ihren beiden Ausrichtungsternen gegenüberliegt.
2. Drücken Sie auf die Ausrichten-Taste und verwenden Sie die Aufwärts-/Abwärts-Tasten auf der Handsteuerung, um „Kalib.-Sterne“ aus der Liste auszuwählen und drücken Sie auf Enter.
3. Richten Sie die Sterne im Suchfernrohr und anschließend im Okular genauso aus, wie Sie es mit den Ausrichtungsternen getan haben.

Ausrichtung anzeigen – Der Benutzer kann nun den Polausrichtungsfehler in den RA- und DEK-Achsen anzeigen lassen. Diese Werte zeigen an, wie dicht die Montierung in Richtung der Himmelspolbasis zeigt und wie akkurat der Benutzer die Ausrichtungsterne mithilfe der Handsteuerung sowie der Montierungsjustierung zentriert hat. Den Ausrichtungsfehler anzeigen:

- Drücken Sie auf die Ausrichten-Taste und verwenden Sie die Aufwärts-/Abwärts-Tasten auf der Handsteuerung, um die Funktion Ausrichtung anzeigen aus der Liste auszuwählen und drücken Sie auf Enter.

Primärfokus-Fotografie mit langen Belichtungszeiten

Dies ist die letzte Form der Himmelsfotografie, die in Angriff genommen werden kann, sobald alle anderen gemeistert wurden. In erster Linie ist sie für extrasolare Objekte (Deep-Sky) gedacht, d. h. Objekte, die sich außerhalb unseres Sonnensystems befinden, einschließlich Sternenhaufen, Nebel und Galaxien. Obwohl für diese Objekte scheinbar eine starke Vergrößerung nötig ist, trifft genau das Gegenteil zu. Die meisten dieser Objekte erstrecken sich über große Winkelbereiche und passen bequem in das Primärfokusfeld Ihres Teleskops. Die Helligkeit dieser Objekte erfordert jedoch eine lange Belichtungszeit und stellt daher eine Herausforderung dar.

Ihnen stehen mehrere Techniken für diese Form der Fotografie zur Verfügung und die jeweils gewählte entscheidet über das benötigte Standardzubehör. Das optimale Verfahren für die Deep-Sky-Astrofotografie mit langen Belichtungszeiten ist der Off-Axis-Guider. Dieses Instrument ermöglicht Ihnen simultanes Fotografieren und Nachführen durch das Teleskop. Darüber hinaus benötigen Sie einen T-Ring, mit dem Ihre Kamera an der radialen Führung angebracht wird.

Andere Instrumente erfordern einen integrierten Autoguider, bei dem es sich um eine kleine Kamera handelt, die an die radiale Führung angeschlossen wird, um Ihren Leitstern zentriert zu halten, während Sie mit Ihrer Hauptkamera fotografieren. Hier eine kurze Übersicht aller Techniken.

1. Das Teleskop polarausrichten. Weitere Information zur Polausrichtung, siehe Abschnitt Polausrichtung an früherer Stelle in diesem Handbuch.
2. Das gesamte optische Zubehör abnehmen.
3. Die radiale Führung auf Ihr Teleskop drehen.
4. Den T-Ring auf die radiale Führung drehen.
5. Ihren Kamerakorpus genauso am T-Ring montieren, wie Sie es mit jedem Objektiv tun würden.
6. Die Auslösergeschwindigkeit auf die Einstellung „B“ einstellen.
7. Das Teleskop auf einen Stern fokussieren.
8. Ihr Objekt im Kamerafeld zentrieren.
9. Ihren Autoguider verwenden, um einen geeigneten Leitstern im Teleskop-Sichtfeld zu finden. Dies kann der zeitaufwendigste Teil des Verfahrens sein.
10. Den Auslöser mit einem Fernauslöser öffnen.
11. Beobachten Sie Ihren Leitstern für die Dauer der Belichtung mithilfe der Tasten auf der Handsteuerung, um nötige Korrekturen vornehmen zu können.
12. Den Kameraauslöser schließen.

Periodische Fehlerkorrektur (PEC)

Die Periodische Fehlerkorrektur, oder kurz PEC, ist ein System zur Erhöhung der Nachführgenauigkeit des Antriebs, das die Anzahl der vom Benutzer vorzunehmenden Korrekturen, um den Leitstern im Okular zentriert zu halten, reduziert. Die PEC wurde entworfen, um die Aufnahmequalität zu verbessern, indem die Amplitude der Schnecke reduziert wird. Die PEC-Funktion umfasst drei Schritte. Zuerst muss die Advanced VX-Montierung die aktuelle Position des Schneckengetriebes kennen, damit bei der Wiedergabe des aufgezeichneten Fehlers ein Referenzwert vorhanden ist. Danach erfolgt eine mindestens 10-minütige Führung unter Verwendung des Autoguiders, während dessen das System Ihre vorgenommenen Korrekturen aufzeichnet. (Das Schneckengetriebe benötigt 10 Minuten für eine vollständige Umdrehung.) Dies „lehrt“ den PEC-Chip die Beschaffenheit der Schnecke. Der periodische Fehler des Schneckenantriebs wird im PEC-Chip gespeichert und für die Korrektur des periodischen Fehlers genutzt. Schließlich werden die von Ihnen während der Aufzeichnungsphase vorgenommenen Korrekturen abgespielt. Bedenken Sie, dass diese Funktion für die fortgeschrittene Astrofotografie verwendet wird und dennoch eine sorgfältige Führung erfordert, da alle Teleskopantriebe periodische Fehler aufweisen.

Die periodische Fehlerkorrektur nutzen

Sobald das Teleskop ordnungsgemäß am Pol ausgerichtet ist, wählen Sie aus dem Utility-Menü PEC sowie die Option Aufzeichnen aus. So nutzen Sie die PEC-Funktion:

1. Suchen Sie sich einen hellen, relativ nahe am Objekt, das Sie fotografieren möchten, stehenden Stern.
2. Setzen Sie den Autoguider in die Okularhalterung Ihres Teleskops ein. Richten Sie den Guider so aus, dass sich eine Sensorachse parallel zur Deklinationsachse befindet, während die andere Achse parallel zur RA-Achse steht.
3. Fokussieren Sie das Teleskop und analysieren Sie die periodische Bewegung.
4. Schließen Sie das Autoguider-Kabel an den Autoguider-Anschluss am elektronischen Bedienfeld der Montierung an.
5. Um mit der Aufzeichnung des periodischen Antriebsfehlers zu beginnen, drücken Sie auf die MENÜ-Taste und wählen im Utility-Menü PEC aus. Verwenden Sie die Aufwärts-/Abwärts-Scrolltasten, um die Aufzeichnungsoption anzuzeigen und drücken Sie auf ENTER. Wenn Sie für die Aufzeichnung bereit sind, können Sie erneut die ENTER-Taste drücken. Es verbleiben 5 Sekunden, bis das System mit der Aufzeichnung beginnt. Das erste Mal je Betrachtungssession, bei der die PEC-Aufzeichnung oder –Wiedergabe ausgewählt wird, muss sich das Schneckengetriebe drehen, um seine Ausgangsposition zu kennzeichnen. Wenn sich das Schneckengetriebe dreht, bewegt sich Ihr Leitstern aus dem Sichtfeld des Okulars und muss vor Beginn der Aufzeichnung neu zentriert werden.

Hinweis: Sobald das Schneckengetriebe mit einem Index versehen ist, muss es nicht wieder positioniert werden, bis das Teleskop ausgeschaltet wird. Um Ihnen mehr Zeit für die Führungsvorbereitung zu geben, könnte es nötig sein, die PEC-Aufzeichnung erneut zu starten, nachdem das Schneckengetriebe seinen Index gefunden hat.

6. Nach 10 Minuten wird die PEC-Aufzeichnung automatisch beendet.
7. Richten Sie das Teleskop auf das Objekt, das Sie fotografieren möchten, und zentrieren Sie den Leitstern im erleuchteten Fadenkreuz. Nun können Sie die periodische Fehlerkorrektur abspielen.
8. Sobald der periodische Fehler des Antriebs aufgezeichnet wurde, können Sie die Wiedergabefunktion nutzen, um die Korrektur für die künftige Fotografieführung abzuspielen. Wenn Sie den periodischen Fehler erneut aufzeichnen möchten, wählen Sie Aufzeichnen und wiederholen den Aufzeichnungsprozess. Die vorigen Aufzeichnungsdaten werden durch die aktuellen Daten ersetzt. Wiederholen Sie die Schritte 7 und 8, um die PEC-Korrekturen für Ihr nächstes Objekt abzuspielen.

Macht die PEC-Funktion die ungeführte Astrofotografie möglich? Ja und nein. Für die solare (gefilterte), lunare und Hucklepack (bis zu 200 mm) –Fotografie lautet die Antwort Ja. Für die Deep-Sky-Astrofotografie mit langen Belichtungszeiten ist das Autoguiding selbst mit PEC jedoch weiterhin unverzichtbar.

Anhang A – technische Daten der Advanced VX-Montierung

Nutzlast (Gegengewicht ausgenommen)	30 lb (13,5 Kg)
Optisches Rohrmontagesystem	Doppel-Sattelplatte
Computergesteuerte Handsteuerung	NexStar–Handsteuerung mit LCD-Bildschirm, 19 faseroptische Hintergrund-LED-Tasten
Datenbank	40.000 Objekte und mehr, 100 vom Benutzer programmierbare Objekte. Zusatzinformationen für über 200 Objekte
Schwenkrate	Neun Schwenkgeschwindigkeiten, maximal 4 Grad/Sek
Nachführmodi	EQ-Norden, EQ-Süden, Aus
Nachführraten	Siderisch, lunar, solar
Die Ausrichtung vornehmen	2-Stern-Ausrichtung, Schnell-Ausrichtung, 1-Stern-Ausrichtung, Letzte Ausrichtung, Sonnensystem-Ausrichtung
Motortyp	Low-Cog-Gleichstrom-Servomotoren mit Encodern auf beiden Achsen
Energieanforderungen	12-V-Gleichstrom 3,5 A (Spitze positiv)
Breitengradbereich	7 bis 77 Grad
PEC	Ja, permanent programmierbar
GPS	Optionales SkySync-GPS-Zubehör
Getriebspielausgleich	Ja
Interne Echtzeituhr	Ja
Verfügbare Anschlüsse	2 AUX-Anschlüsse, Autoguider-Anschluss, RS-232-Anschluss (auf der Handsteuerung)
Einstellungskreise	Nein
Polachsen-Teleskop	Optional
Gegengewicht-Schaftlänge	12" (30,5 cm)
Gegengewicht-Schaftdurchmesser	0,75" (1,9 cm)
Stativ	Einstellbar, Edelstahl
Stativ-Beindurchmesser	2,0" (5 cm)
Höhenbereich der Montierung	44 bis 64" (111 bis 162 cm)
Gewicht des Stativs	18 lb (8 kg)
Gewicht des EQ-Kopfes	17 lb (7,7 kg)
Gewicht des Gegengewichts	1 x 12 lb (1x 5,5 Kg)
Gesamtgewicht des Teleskopsets	47 lb (21,3 kg)

Zweijährige eingeschränkte Garantie von Celestron

- A.** Celestron garantiert, dass dieses Produkt zwei Jahre lang frei von Material- und Verarbeitungsfehlern ist. Celestron repariert oder ersetzt ein solches Produkt oder Teile davon, das nach Überprüfung durch Celestron einen Material- oder Verarbeitungsfehler aufweist. Als Voraussetzung für die Verpflichtung von Celestron, dieses Produkt zu reparieren oder zu ersetzen, muss das Produkt zusammen mit dem für Celestron zufriedenstellenden Kaufnachweis an Celestron zurückgeschickt werden.
- B.** Eine ordnungsgemäße Rücksendenummer muss vor der Rücksendung bei Celestron eingeholt werden. Bitte senden Sie Ihre Anfrage an Celestrons Online-Support-Center unter <https://www.celestron.com/pages/technical-support> um die Nummer zu erhalten, die außerhalb Ihres Versandcontainers angezeigt werden soll.

Alle Rücksendungen müssen eine schriftliche Erklärung enthalten, aus der der Name, die Adresse und die Telefonnummer des Eigentümers, zu der er tagsüber erreichbar ist, zusammen mit einer kurzen Beschreibung aller beanstandeten Defekte, hervorgeht. Ausgetauschte Teile oder Produkte werden Eigentum von Celestron. Der Kunde ist für alle Kosten für Versand und Versicherung zu und vom Celestron-Werk verantwortlich und muss diese Kosten im Voraus begleichen.

Celestron muss vernünftige Maßnahmen ergreifen, um jede Teleskopmontierung unter dieser Garantie innerhalb von 30 Tagen nach Erhalt zu reparieren oder auszutauschen. Für den Fall, dass Reparatur oder Austausch mehr als dreißig Tage in Anspruch nimmt, muss Celestron den Kunden entsprechen in Kenntnis setzen. Celestron behält sich das Recht vor, ein Produkt, das aus der Produktlinie ausgeschieden ist, durch ein neues oder in Wert und Funktion vergleichbares Produkt zu ersetzen.

Diese Garantie erlischt und wird außer Kraft gesetzt, für den Fall, dass ein Produkt unter der Garantie in Design oder Funktion modifiziert wurde oder Missbrauch, unsachgemäße Handhabung oder unautorisierte Reparatur unterzogen wurde. Des Weiteren sind Produktfehlfunktionen oder Wertminderung aufgrund von normalem Verschleiß von dieser Garantie nicht abgedeckt.

CELESTRON LEHNT JEDLICHE GEWÄHRLEISTUNG, OB AUSDRÜCKLICH ODER STILLSCHWEIGEND, OB DER MARKTGÄNGIGKEIT ODER DER EIGNUNG FÜR EINEN BESTIMMTEN ZWECK, AUSSER DEM HIERIN GENANNTEN, AB. DIE ALLEINIGE VERPFLICHTUNG VON CELESTRON UNTER DIESER EINGESCHRÄNKTEN GARANTIE BESTEHT DARIN, DAS DURCH DIE GARANTIE ABGEDECKTE PRODUKT IN ÜBEREINSTIMMUNG MIT DEN HIERIN FESTGEHALTENEN BEDINGUNGEN ZU REPARIEREN ODER AUSZUTAUSSCHEN. CELESTRON LEHNT AUSDRÜCKLICH JEDLICHE HAFTUNG FÜR ENTGANGENE PROFITE, ALLGEMEINE, SPEZIELLE, INDIREKTE ODER FOLGESCHÄDEN AB, DIE SICH AUS EINER GARANTIEVERLETZUNG ERGEBEN KÖNNTEN ODER DIE DURCH NUTZUNG BZW. UNFÄHIGKEIT ZUR NUTZUNG JEDLICHEN CELESTRON-PRODUKTS ERGEBEN. JEDLICHE STILLSCHWEIGENDE ODER NICHT BEANSPRUCHBARE GEWÄHRLEISTUNGEN IST ZEITLICH AUF ZWEI JAHRE AB DATUM DES URSPRÜNGLICHEN KAUFES BESCHRÄNKT.

Einige Staaten erlauben keinen Ausschluss oder keine Beschränkung von zufälligen oder Folgeschäden sowie keine zeitliche Begrenzung einer stillschweigenden Garantie; daher könnten die oben genannten Beschränkungen und Ausschlüsse auf Sie nicht zutreffen.

Diese Gewährleistung gibt Ihnen bestimmte gesetzliche Rechte, und Sie könnten andere Rechte haben, die von Staat zu Staat variieren. Celestron behält sich das Recht vor, jegliches Modell und jeglichen Produkttyp zu modifizieren oder aus der Produktlinie auszuschließen, ohne Ihnen dies vorher anzukündigen. Wenn Garantieprobleme auftreten oder Sie Unterstützung bei der Verwendung Ihres Produkts benötigen, besuchen Sie das Online-Supportcenter von Celestron unter <https://www.celestron.com/pages/technical-support>.

HINWEIS: Diese Garantie ist für Kunden in den USA und Kanada gültig, die dieses Produkt von einem autorisierten Celestron-Händler in den USA oder Kanada gekauft haben. Eine Garantie außerhalb der USA und Kanada gilt nur für Kunden, die bei einem internationalen Celestron-Vertrieb oder einem autorisierten Celestron-Händler im jeweiligen Land eingekauft haben. Bitte wenden Sie sich für jeden Garantieservice an diese Ansprechpartner.



FCC-Erklärung: Dieses Gerät wurde getestet und entspricht den Grenzwerten für digitale Geräte der Klasse B in Übereinstimmung mit Artikel 15 der FCC-Bestimmungen. Diese Grenzwerte sollen einen angemessenen Schutz vor Störungen in Wohngebieten bieten. Dieses Gerät erzeugt, verwendet Hochfrequenzenergie und kann diese ausstrahlen und kann, wenn es nicht in Übereinstimmung mit den Anweisungen installiert und verwendet wird, Störungen im Funkverkehr verursachen. Es kann jedoch nicht garantiert werden, dass in einer bestimmten Einrichtung keine Störungen auftreten. Falls dieses Gerät Störungen des Radio- oder Fernsehempfangs verursacht, was durch ein vorübergehendes Ausschalten des Geräts festgestellt werden kann, wird der Benutzer dazu angehalten, die Störung durch eine oder mehrere der nachstehenden Maßnahmen zu beheben:

- Die Empfangsantenne verlegen oder neu ausrichten.
- Den Abstand zwischen dem Gerät und dem Empfänger vergrößern.
- Das Gerät an eine andere Steckdose auf einem anderen Stromkreis als dem des Empfängers anschließen.
- Den Händler oder einen erfahrenen Radio- und Fernsehtechniker um Hilfe bitten.

Produktdesign und technische Daten können ohne Vorankündigung geändert werden.

Dieses Produkt wurde für die Verwendung durch Personen von 14 Jahren und darüber entworfen und vorgesehen.

© 2019 Celestron • Alle Rechte vorbehalten
[celestron.com/pages/technical-support](https://www.celestron.com/pages/technical-support)
2835 Columbia Street • Torrance, CA 90503 USA.
Gedruckt in China





AVX
ADVANCED VX
SERIE

MANUAL DE INSTRUCCIONES PARA LOS MODELOS:

#91519- Advanced VX Montaje de Soporte
#32054- Advanced VX 6" Telescopio Newtoniano
#32062- Advanced VX 8" Telescopio Newtoniano
#22020- Advanced VX 6" Telescopio Refractor
#12025- Advanced VX 5" Telescopio Schmidt-Cassegrain

#12079- Advanced VX 6" Telescopio Schmidt-Cassegrain
#12026- Advanced VX 8" Telescopio Schmidt-Cassegrain
#12046- Advanced VX 9.25" Telescopio Schmidt-Cassegrain
#12067- Advanced VX 11" Telescopio Schmidt-Cassegrain
#12031- Advanced VX 8" EdgeHD Telescopio

TABLA DE CONTENIDOS

Introducción	3
Soporte Advanced VX	4
Montaje	5
Mando manual informatizado	10
Catálogo de objetos	14
Moverse a un objeto	14
Árbol del menú principal del Advanced VX	21
Montaje del tubo óptico.	23
Instalar el refractor	24
Instalar el refractor Newtoniano	24
Instalar los tubos ópticos EdgeHD y Schmidt-Cassegrain	25
Alinear el localizador	27
Alineación polar del soporte	27
Apéndice A – Especificaciones técnicas del soporte Advanced VX.	30
Garantía limitada por dos años de Celestron	31

Introducción

Felicidades por adquirir el soporte de telescopio Celestron Advanced VX. El soporte ecuatorial alemán Advanced VX se ha diseñado con materiales de la mejor calidad para garantizar su estabilidad y resistencia. Esta construcción ha creado un telescopio que le ofrece toda una vida de satisfacción con un mantenimiento mínimo.

Además, el soporte Advanced VX es versátil – se adaptará a medida que sus intereses pasen de la observación astronómica a la captura de imágenes astronómicas.

Si es nuevo en astronomía puede querer comenzar usando la función Sky Tour integrada, que ordena a los telescopios localizar los objetos más interesantes del firmamento y desplazarse automáticamente hasta ellos. Si es un aficionado con experiencia, valorará la exhaustiva base de datos de más de 40000 objetos, incluyendo listas personalizadas de los mejores objetos del espacio profundo, estrellas dobles brillantes y estrellas variables. Sin importar su nivel de experiencia, Advanced VX le ayudará a usted y a sus amigos a explorar las maravillas del universo.

Algunas características del Advanced VX incluyen:

- Motores de par elevado para ayudar a mover con suavidad cargas pesadas
- Corrección de errores periódica (PEC) permanentemente programable para mejorar la capacidad de seguimiento
- Un puerto de autoguía para realizar correcciones al tomar imágenes astronómicas
- Grandes mandos de alineación polar de fácil acceso para unos movimientos rápidos y seguros
- Diseño ergonómico que se desmonta en piezas compactas y transportables
- Límites de filtración de la base de datos para crear listas de objetos personalizadas
- Almacenamiento para objetos programables definidos por el usuario
- Muchas otras funciones de alto rendimiento!

El soporte Advanced VX ofrece al astrónomo aficionado los telescopios más sofisticados y fáciles de usar del mercado actual.

Tómese el tiempo de leer este manual antes de embarcarse en su viaje por el universo. Puede llevar algunas sesiones de observación familiarizarse con su telescopio, por lo que debería tener este manual a mano hasta que domine por completo el funcionamiento de su telescopio. El control manual tiene instrucciones integradas para orientarle por los procedimientos de alineación necesarios para tener el telescopio listo en minutos. Use este manual junto con las instrucciones en pantalla proporcionadas por el control manual. El manual ofrece información detallada sobre cada paso, así como el material de referencia necesario y recomendaciones que garantizan que su experiencia de observación sea tan sencilla y agradable como sea posible.

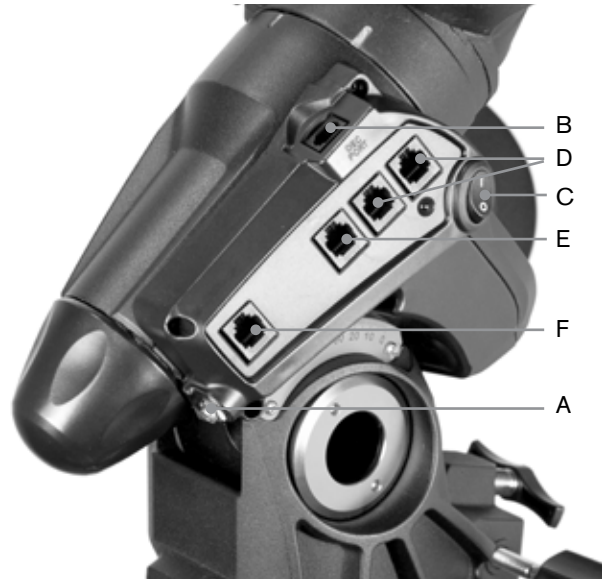
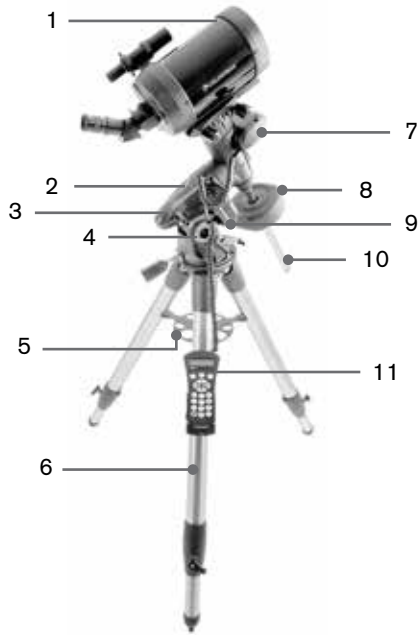
Su telescopio está diseñado para ofrecerle años de diversión y observaciones provechosas. Sin embargo, debe tener algunos aspectos en cuenta antes de usar su telescopio, que garantizarán su seguridad y protegerán el equipo.



⚠ Atención

- No mire nunca directamente al sol con los ojos descubiertos o un telescopio (a menos que tenga un filtro solar adecuado). Puede producir daños oculares permanentes e irreversibles.
- No use nunca su telescopio para proyectar una imagen del Sol sobre ninguna superficie. La acumulación interna de calor puede dañar el telescopio y cualquier accesorio instalado.
- No use nunca un filtro solar de ocular ni una cuña Herschel. La acumulación interna de calor en el telescopio puede hacer que estos dispositivos se agrieten o rompan, permitiendo pasar luz solar sin filtrar por el ojo.
- No deje nunca el telescopio sin supervisión. Asegúrese de que un adulto familiarizado con los procedimientos de uso adecuados esté con el telescopio en todo momento, especialmente en presencia de niños.

Soporte Advanced VX (Se muestra Advanced VX con tubo óptico Schmidt-Cassegrain de 5")



1	Tubo óptico
2	Panel de control
3	Soporte ecuatorial Advanced VX
4	Escala de ajuste de altitud
5	Fijación de pata central del trípode/ Bandeja de accesorios
6	Trípode
7	Chasis del motor Dec
8	Contrapeso
9	Chasis del motor R.A.
10	Barra de contrapeso
11	Mando manual

	PANEL DE CONTROL
A	Puerto de alimentación
B	Puerto del motor DEC
C	Interruptor de alimentación
D	Puertos auxiliares
E	Puerto del mando manual
F	Puerto de autoguía

Montaje

Esta sección trata las instrucciones de montaje de su soporte Advanced VX de Celestron. El soporte debe incluir los siguientes elementos:

- Cabezal ecuatorial
- Trípode
- Bandeja de accesorios
- Barra de contrapeso con rosca de bloqueo
- Tornillos de ajuste de azimut (x2)
- Mando manual
- Soporte del mando manual (2 piezas)
- Cable del motor de declinación
- Cable adaptador para batería de coche
- Contrapeso

Si ha adquirido el soporte Advanced VX independientemente, debería incluirse un contrapeso en la caja. Si ha adquirido un kit de telescopio Advanced VX, puede recibir uno o dos contrapesos adicionales, según el tubo óptico que incluya el kit. Estos contrapesos se incluyen en cajas separadas. Puede encontrar más información en la sección del manual que trata del uso de su tubo óptico.

Saque todas las piezas de sus cajas interiores correspondientes y póngalas sobre una zona de trabajo plana y despejada. El suelo es un lugar perfecto. Cuando instale su soporte Celestron, debe comenzar por el trípode y avanzar a partir de ahí. Estas instrucciones se presentan en el orden en que se debe realizar cada tarea.

Instalación del trípode

El trípode Advanced VX incluye una fijación de pata central/bandeja de accesorios totalmente metálica para otorgar al soporte un apoyo sólido.

El trípode se entrega totalmente montado con una placa metálica, llamada cabezal del trípode, que mantiene unidas las patas en la parte superior. Además, dispone de una varilla central que baja del cabezal del trípode que fija el soporte ecuatorial a éste. Para instalar el trípode:

1. Coloque el trípode de pie y tire de las patas hacia fuera hasta que cada pata esté totalmente extendida. El trípode se aguantará solo.
2. Para ajustar la altura de las patas, afloje la palanca que puede encontrar en la parte inferior de cada pata girándola hacia la izquierda.
3. Despliegue cada pata a la longitud deseada y fíjelas girando las palancas hacia la derecha. Asegúrese de que las palancas estén apretadas de forma que no se deslicen accidentalmente hacia dentro cuando añada peso al trípode.

Fijar los mandos de ajuste de azimut

Para garantizar un transporte seguro del soporte Advanced VX, los mandos de ajuste de azimut se separan del soporte y deben fijarse.

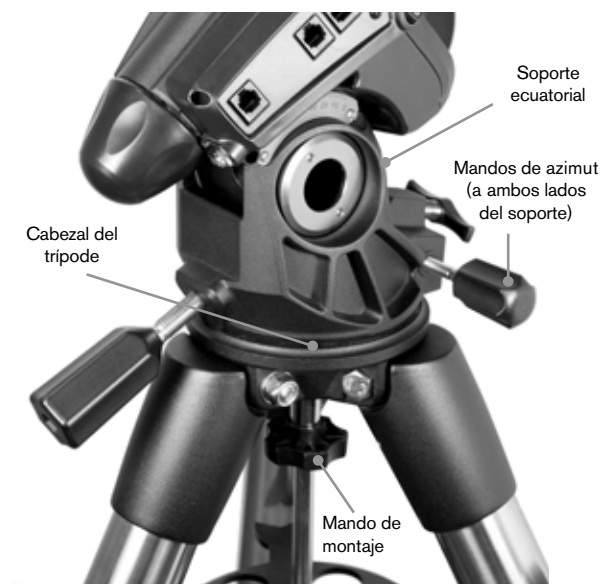
Antes de fijar el soporte al trípode:

1. Localice los mandos de ajuste de azimut en la caja que contiene el cabezal ecuatorial Advanced VX.
2. Pase un mando por cada uno de los agujeros situados a ambos lados del soporte.
3. Pase los mandos hasta la mitad, dejando espacio para la punta de alineación del trípode, que deberá encajar entre las puntas de ambos tornillos.

Fijar el soporte ecuatorial

El soporte ecuatorial Advanced VX le permite inclinar el eje de rotación del telescopio para poder seguir las estrellas a medida que se mueven por el firmamento. A un lado del cabezal del trípode se encuentra una punta de alineación metálica para alinear el soporte. Este lado del trípode se orientará al norte cuando se prepare para una sesión de observación astronómica. Para fijar el cabezal ecuatorial:

1. Localice los tornillos de ajuste de azimut en el soporte ecuatorial.
2. Retraiga los tornillos de ajuste de azimut de forma que ya no entren en el chasis del azimut del soporte. **NO saque los tornillos, los necesitará más tarde para la alineación polar.**
3. Aguante el soporte ecuatorial sobre el cabezal del trípode de forma que el chasis de azimut esté sobre la punta metálica.
4. Coloque el soporte ecuatorial sobre el cabezal del trípode de forma que queden pegados.
5. Empuje el mando situado en la varilla central en la parte inferior del cabezal del trípode hacia arriba y gírelo a la derecha para fijar el soporte ecuatorial firmemente.



Su trípode Advanced VX incluye la punta de alineación instalada, de forma que el eje polar y la barra de contrapeso se extienden entre dos patas del trípode. Si lo desea puede recolocar la punta de alineación de forma que la barra del contrapeso se extienda directamente sobre una pata del trípode. Es cuestión de preferencias personales y no afecta a la estabilidad del soporte. Los observadores en latitudes más bajas preferirán dejar la punta de alineación entre dos patas del trípode para evitar que el contrapeso entre en contacto con la pata del trípode cuando se encuentre en la zona más baja de su oscilación. Para cambiar la posición de la punta de alineación:



1. Use una llave para aguantar la punta de alineación en posición mientras usa otra llave para aflojar la rosca de bloqueo bajo la punta de alineación.
2. Cuando la rosca esté suelta, puede sacar la punta de alineación y moverla al agujero estriado en el lado opuesto del cabezal del trípode.
3. Pase la punta hasta que se detenga, y hágala retroceder hasta que los lados planos de la punta de alineación estén perpendiculares al trípode.
4. Aguante la punta de alineación en posición con una llave mientras usa otra llave para apretar la rosca de bloqueo contra el cabezal del trípode.
5. Monte el cabezal ecuatorial del modo descrito anteriormente.

Fijación de la bandeja de accesorios

El soporte Advanced VX incluye una bandeja de accesorios con agujeros especialmente diseñados para oculares de 1,25" y 2". La bandeja de accesorios también funciona como tensor de patas del trípode para añadir estabilidad al soporte. Para instalar la bandeja:

1. Saque la rosca y la arandela del lado inferior de la varilla central del trípode.
2. Deslice la bandeja de accesorios sobre la varilla central de forma que cada brazo de la bandeja empuje contra las patas del trípode.
3. Pase el mando de la bandeja de accesorios sobre la varilla central y apriételo.



Instalar la barra de contrapeso

Para equilibrar adecuadamente el telescopio, el soporte incluye una barra de contrapeso y al menos un contrapeso (según el modelo). Para instalar la barra de contrapeso:

1. Localice la barra de contrapeso y la rosca de bloqueo en la caja que contiene el cabezal ecuatorial. La rosca de bloqueo debería estar pasada por el extremo de la barra de contrapeso.
2. Localice la apertura en el soporte ecuatorial en el eje de declinación y pase la barra de contrapeso en la apertura hasta que quede fijo.
3. Apriete la rosca de bloqueo de la barra de contrapeso por completo.



Cuando la barra esté fija en posición, ya puede añadir el contrapeso.

Recomendación de observación: Como el telescopio totalmente montado puede ser bastante pesado, coloque el soporte de forma que el eje polar apunte al norte antes de colocar la estructura del tubo óptico y los contrapesos. Así facilitará notablemente el proceso de alineación polar.

Instalar el contrapeso

Para instalar el(los) contrapeso(s) incluido(s) con el soporte o el kit de telescopio:

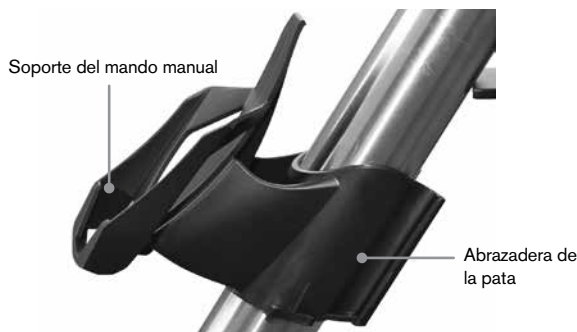
1. Oriente el soporte de forma que la barra de contrapeso apunte al suelo.
2. Saque el tornillo de seguridad del contrapeso en el extremo inferior de la barra de contrapeso girándolo a la izquierda. Este tornillo evita que el contrapeso caiga del soporte si el tornillo de bloqueo del contrapeso se afloja.
3. Afloje el tornillo de bloqueo del lateral del contrapeso.
4. Deslice el contrapeso por la barra del contrapeso y muévelo aproximadamente a mitad de la barra.
5. Apriete el tornillo de bloqueo del lateral del contrapeso para aguantarlo en su lugar.
6. Vuelva a colocar el tornillo de seguridad del contrapeso.

Recomendación: El agujero en el centro del contrapeso es ligeramente mayor en un lateral. Cuando deslice el contrapeso sobre la barra del contrapeso, asegúrese de que el agujero más pequeño esté orientado al cabezal ecuatorial. Así podrá deslizar el contrapeso por encima del tornillo de seguridad en la parte inferior de la barra del contrapeso si necesita un poco más de ajuste para equilibrar los accesorios adicionales montados en el tubo óptico. El agujero más pequeño evita que el contrapeso se deslice por encima del tornillo de seguridad.

Fijación del soporte del mando manual

Los modelos de telescopio Advanced VX incluyen un soporte de mando manual que se fija a una pata del trípode. El soporte del mando manual se entrega en dos piezas: la abrazadera de la pata que se encaja alrededor de la pata del trípode y el soporte que se fija a la abrazadera de la pata. Para colocar el soporte del mando manual:

1. Coloque la abrazadera de la pata contra una de las patas del trípode y presiónela firmemente hasta que la abrazadera envuelva la pata.
2. Deslice la parte posterior del soporte del mando manual hacia abajo en el canal de la parte anterior de la abrazadera de la pata hasta que encaje en posición.



Fijar el tubo óptico al soporte

El telescopio se fija al soporte mediante una barra de deslizamiento de unión montada a lo largo de la parte inferior del

tubo del telescopio. Antes de fijar el tubo óptico, asegúrese de que los mandos de declinación y derecho de ascensión estén apretados y el(los) contrapeso(s) esté(n) instalados con seguridad. Así se garantizará que el soporte no se mueva súbitamente mientras coloca el telescopio. Para montar el tubo del telescopio:

1. Afloje los dos tornillos de bloqueo del lateral de la plataforma de montaje del telescopio. Esto le permite deslizar la barra de unión en el soporte.
2. Si el telescopio está equipado con una, saque los tornillos de seguridad situados bajo la barra de unión.
3. Pase la barra de unión en el tubo del telescopio en la plataforma de montaje del soporte. Deslice el telescopio de forma que la parte posterior de la barra de unión esté cerca de la parte posterior de la plataforma de montaje.
4. Apriete el tornillo de montaje del lateral de la plataforma de montaje para aguantar el telescopio en su lugar.

Ahora que el tubo óptico esté firmemente en posición, los accesorios visuales pueden colocarse en el telescopio. Este procedimiento se trata detalladamente en la sección del manual que trata del uso de tubos ópticos.



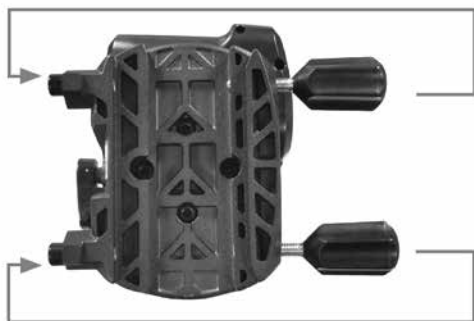
Uso de la plancha de silla doble

Su soporte Advanced VX incluye una placa de silla doble, que permite usar cualquier tubo óptico usando una barra machihembrada de placa V de 1,75» (Synta, Vixen) o la barra machihembrada de estilo de placa D más ancha de 3» (75mm) (CGEM, CGX, CGX-L).

Su soporte Advanced VX ya debería estar preparado para usar la placa V más pequeña. Para convertir el soporte para usar la placa D de mayor tamaño, retire los dos pernos del lado izquierdo de la silla machihembrada usando una llave Allen de 6mm.



Retire los dos mandos y transféralos a los agujeros estriados que queden al descubierto.

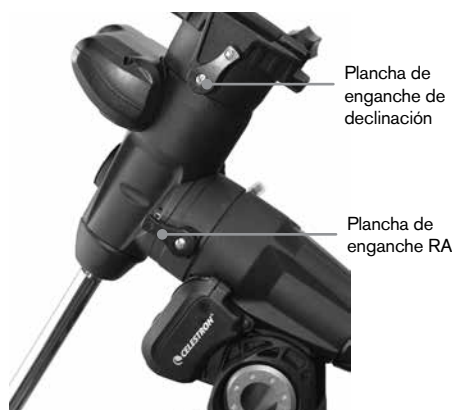


Para mantener las estrías vacías limpias, vuelva a colocar los tornillos Allen en los agujeros que no use.

Mover manualmente el telescopio

Para equilibrar correctamente su telescopio, deberá mover el telescopio manualmente a diversas secciones del firmamento para observar distintos objetos. Para realizar ajustes aproximados, afloje los mandos R.A. y DEC ligeramente y mueva el telescopio en la dirección deseada.

Los ejes R.A. y DEC tienen palancas de bloqueo para fijar cada eje del telescopio. Para aflojar los enganches en el telescopio, gire las palancas de bloqueo hacia la izquierda.

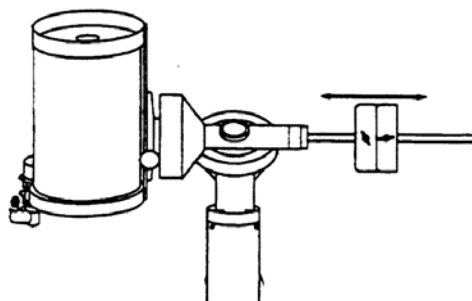


Equilibrado del soporte en R.A.

Para eliminar tensiones inadecuadas para el soporte, el telescopio debe estar adecuadamente equilibrado en el eje polar. Un equilibrado adecuado es crucial para un seguimiento preciso. Para equilibrar el soporte:

1. Compruebe que el telescopio esté firmemente fijado a la plataforma de montaje del telescopio.
2. Afloje la palanca de bloqueo R.A. y coloque el telescopio a un lado del soporte. La barra de contrapeso se extenderá horizontalmente en el lado opuesto del soporte.
3. Suelte el telescopio – **GRADUALMENTE** – para ver en qué dirección “rota” el telescopio.
4. Afloje los tornillos del lateral del contrapeso, de forma que se pueda mover por la longitud de la barra del contrapeso.

5. Mueva el contrapeso hasta un punto en el que equilibre el telescopio (es decir, el telescopio permanece estacionario cuando los mandos de enganche R.A. estén aflojados).
6. Apriete el tornillo del contrapeso para aguantarlo en su lugar.



Recomendación: Mientras que las instrucciones anteriores describen una distribución de equilibrado perfecta, debería existir un LEVE desequilibrio para garantizar el mejor seguimiento posible. Cuando el telescopio esté en el lado oeste del soporte el contrapeso debe estar levemente desequilibrado hacia el lado de la barra del contrapeso. Cuando el tubo esté en el lado este del soporte el debe existir un ligero desequilibrio hacia el lado del telescopio. Esto se hace de forma que el engranaje empuje contra una leve carga. La cantidad de desequilibrio es muy leve. Cuando tome imágenes astronómicas, este proceso de equilibrado puede realizarse para la zona concreta a la que apunta el telescopio para optimizar la precisión del seguimiento.

Equilibrado del soporte en DEC

Aunque el soporte no siga en declinación, el telescopio debe estar equilibrado en este eje para evitar movimientos súbitos cuando la palanca de bloqueo DEC esté suelta. Para equilibrar el telescopio en DEC:

1. Afloje la palanca de bloqueo R.A. y gire el telescopio de forma que esté en un lado del soporte (es decir, como se describe en la sección anterior “Equilibrado del soporte en R.A.”).
2. Apriete la palanca de bloqueo R.A. para aguantar el telescopio en posición.
3. Afloje la palanca de bloqueo DEC y gire el telescopio hasta que el tubo esté paralelo al suelo.
4. Suelte el tubo – **GRADUALMENTE** – para ver en qué dirección gira alrededor del eje de declinación.
NO SUELTE POR COMPLETO EL TUBO DEL TELESCOPIO!
5. Afloje ligeramente los mandos que aguantan el telescopio a la plataforma de montaje y deslice el telescopio adelante o atrás hasta que quede estacionario cuando la fijación DEC esté suelta. **NO** suelte el tubo del telescopio con el mando de la plataforma de montaje suelta. Puede ser necesario rotar el telescopio de forma que la barra del contrapeso apunte hacia abajo antes de aflojar el tornillo de la plataforma de montaje.

6. Apriete los mandos de la plataforma de montaje del telescopio para aguantar el telescopio en su lugar.

Como con el equilibrado R.A., éstas son instrucciones generales de equilibrado y reducirá un exceso de tensión en el soporte. Cuando tome imágenes astronómicas, este proceso de equilibrado debe realizarse para la zona concreta a la que apunta el telescopio.

Ajuste del soporte

Para que un motor impulsor realice un seguimiento preciso, el eje de rotación del telescopio debe estar paralelo al eje de rotación de la Tierra, un proceso conocido como alineación polar. La alineación polar NO se consigue moviendo el telescopio en R.A. o DEC pero ajustando el soporte verticalmente, llamado altitud y horizontalidad, que se denomina azimut. Esta sección trata sencillamente del movimiento correcto del telescopio durante el proceso de alineación polar. El proceso real de alineación polar, o hacer que el eje de rotación del telescopio sea paralelo al de la Tierra, se describe más adelante en este manual, en la sección "Alineación polar."

Ajuste del soporte en altitud

- Para aumentar la latitud del eje polar, apriete el tornillo de ajuste de latitud posterior y afloje el tornillo anterior.
- Para reducir la latitud del eje polar, apriete el tornillo de ajuste de latitud anterior (situado bajo la barra del contrapeso) y afloje el tornillo posterior.

El ajuste de latitud del soporte Advanced VX tiene un alcance desde aproximadamente 7° a 77° .



Es preferible realizar los ajustes finales de altitud moviendo el soporte contra la gravedad (es decir, usando el tornillo de ajuste de latitud posterior para elevar el soporte). Para hacerlo debería aflojar ambos tornillos de ajuste de latitud y empujar manualmente la parte anterior del soporte abajo tanto como se pueda mover. Apriete el tornillo de ajuste posterior para elevar el soporte a la latitud deseada.

Ajuste del soporte en azimut

Para ajustes aproximados de azimut, tome el telescopio y el trípode y muévalos. Para ajustes precisos de azimut:

Gire los mandos de ajuste de azimut situados en ambos lados del chasis del azimut. De pie tras el telescopio, los mandos están en la parte delantera del soporte.

- Girar el mando de ajuste derecho a la derecha mueve el soporte hacia la derecha.
- Girar el mando de ajuste izquierdo a la derecha mueve el soporte hacia la izquierda.

Ambos tornillos empujan la punta de alineación en el cabezal del trípode, lo que significa que puede tener que aflojar un tornillo mientras aprieta el otro. El tornillo que aguanta el soporte ecuatorial en el trípode puede tener que aflojarse ligeramente.

Tenga en cuenta que ajustar el soporte se realiza exclusivamente con el proceso de alineación polar. Cuando esté alineado en polar, el soporte NO debe moverse. Apuntar el telescopio se realiza moviendo el soporte en ascensión y declinación derecha, como se ha descrito previamente en el manual.

Colocar el cable de declinación

El soporte Advanced VX incluye un cable que conecta el panel de control electrónico al motor de declinación. Para instalar los cables del motor:

- Localice el cable de declinación y conecte un extremo del cable al puerto del panel electrónico marcado como puerto DEC.
- Conecte el otro extremo del cable al puerto situado en el motor de declinación.

Alimentación del telescopio

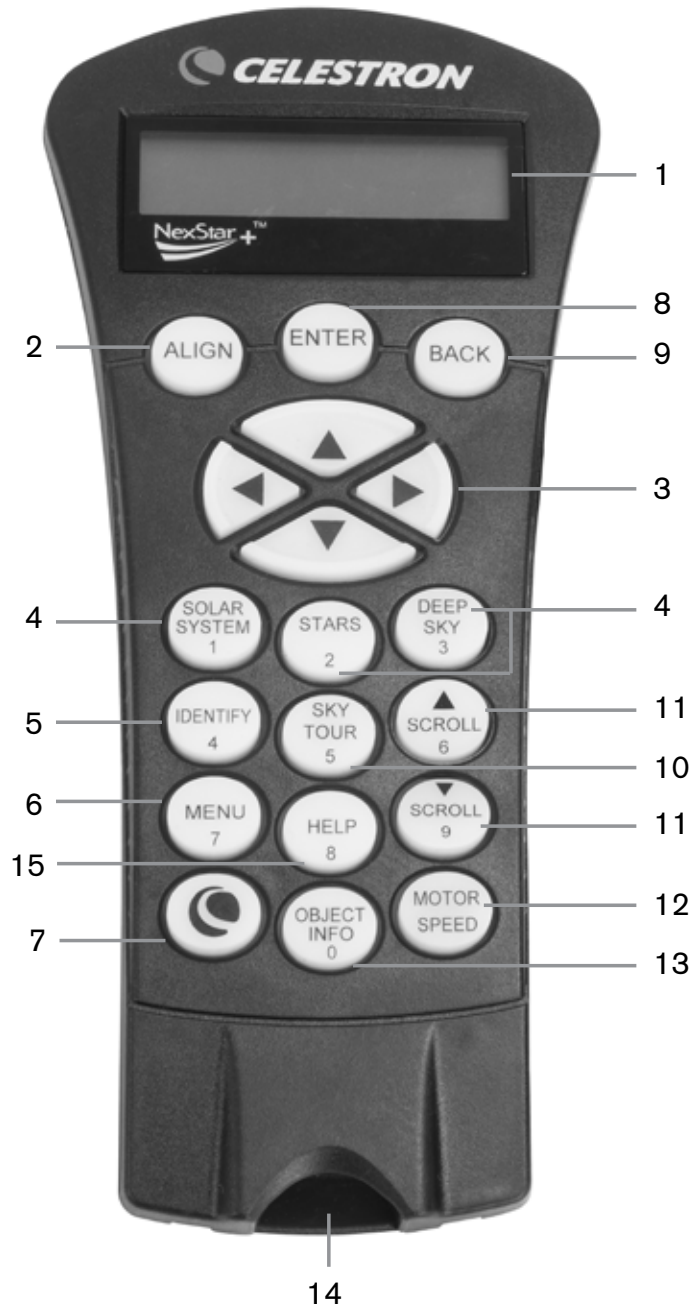
El soporte Advanced VX puede alimentarse con el adaptador de batería de coche incluido o un adaptador opcional de 12V CA. Use exclusivamente adaptadores proporcionados por Celestron. Usar otro adaptador puede dañar la electrónica y anulará la garantía del fabricante.

1. Para alimentar el telescopio con el adaptador de batería de coche (o adaptador de 12V CA), conecte la toma redonda en la salida de 12V del panel electrónico y conecte el otro extremo a la toma del encendedor del coche o a la alimentación portátil.
2. Encienda el telescopio con el interruptor situado en el panel electrónico en posición "encendido".

Mando manual informatizado

Ha recibido el nuevo y mejorado control manual NexStar+ con su telescopio. El control manual ahora incluye un conector USB usado para conectar con un PC con software de control, y realizar actualizaciones del firmware. Es un sustituto de todos los telescopios existentes que acepten el control manual NexStar+ con conector RS-232.

Actualice el firmware del control manual por USB sin alimentación externa ni conectar al soporte. Para actualizar el firmware, conecte un cable mini USB (no incluido) del PC al puerto de la parte inferior del mando manual, y ejecute el Celestron Firmware Manager (DFM) disponible gratuitamente en la sección de soporte de Celestron.com.



1. **Ventana de pantalla de cristal líquido (LCD):** Dispone de una pantalla de cuatro líneas y 18 caracteres con iluminación roja para un visionado cómodo de la información del telescopio y el texto mostrado.
2. **Alinear:** Instruye al mando manual comenzar el procedimiento de alineación del telescopio.
3. **Teclas de dirección:** Permite un control total del soporte Advanced VX en cualquier dirección. Use las teclas de dirección para centrar objetos en el ocular o desplazar manualmente el telescopio.
4. **Teclas de catálogo:** El Advanced VX tiene una tecla en el mando manual que permite acceder directamente a cada uno de los catálogos principales de su base de datos de más de 40000 objetos. Su soporte contiene los catálogos siguientes en su base de datos:
 - Sistema solar – Los 7 planetas de nuestro sistema solar junto con la Luna, el Sol y Plutón.
 - Estrellas – Listas personalizadas de las estrellas más brillantes, estrellas binarias, estrellas variables, constelaciones y asterismos.
 - Espacio profundo – Listas personalizadas de las mejores galaxias, nebulosas y cúmulos, así como el Messier completo y una selección de objetos NGC.
5. **Identificar:** Busca en la base de datos del Advanced VX y muestra el nombre y distancias de desvío a los objetos coincidentes más cercanos.
6. **Menú:** Muestra las muchas funciones de configuración y utilidades, como la velocidad de seguimiento, objetos definidos por el usuario y otros.
7. **Opción (Logo Celestron):** Puede usarse junto con otras teclas para acceder a características y funciones más avanzadas.
8. **Enter:** Pulsar ENTER le permite seleccionar cualquiera de las funciones del Advanced VX, aceptar los parámetros introducidos y desplazar el telescopio a objetos mostrados.
9. **Anterior:** Pulsando ANTERIOR saldrá del menú actual y mostrará el nivel anterior de la ruta del menú. Pulsar ANTERIOR repetidamente volverá a un menú principal o puede usarse para borrar datos introducidos por error.
10. **Sky Tour:** Activa el modo tour, que busca los mejores objetos del firmamento y desplaza automáticamente el Advanced VX a dichos objetos.
11. **Teclas de desplazamiento:** Se utilizan para desplazarse arriba y abajo en cualquiera de las listas del menú. Un símbolo de doble flecha en el lado derecho del LCD indica que las teclas de desplazamiento pueden usarse para ver información adicional.
12. **Velocidad de motor:** Desplaza el telescopio más rápida o lentamente cuando se pulsan los botones de dirección.
13. **Información de objeto:** Muestra coordenadas e información importante sobre objetos seleccionados de la base de datos del Advanced VX.
14. **Puerto mini USB (cable no incluido):** Le permite conectar el telescopio a un ordenador, para usarse con programas informáticos para capacidades de apuntar y pulsar para desplazamiento y actualizar el firmware con PC.
15. **Menú de ayuda:** En futuras actualizaciones de firmware, este botón ofrecerá recomendaciones para solucionar problemas. Para su comodidad, actualmente funciona como acceso directo al catálogo Messier.

Uso del mando manual

Esta sección describe los procedimientos básicos del control manual necesarios para usar todos los telescopios personalizados Celestron. Estos procedimientos se agrupan en tres categorías: Alineación, configuración y utilidades. La sección de alineación revisa la alineación inicial del telescopio, y localiza objetos en el firmamento. La sección de configuración trata del cambio de parámetros, como el modo de seguimiento y el ritmo de seguimiento. Para terminar, la última sección revisa todas las funciones de utilidades, como calibrar su soporte, alineación polar y compensación de retroceso.

Procedimientos de alineación

Para que el telescopio apunte con precisión objetos del firmamento, debe alinearse primero con posiciones conocidas (estrellas) del firmamento. Con esta información, el telescopio puede crear un modelo del firmamento, que usa para ubicar cualquier objeto con coordenadas conocidas. Existen muchas formas de alinear su telescopio con el firmamento según la información que pueda proporcionar el usuario:

- La **Alineación de dos estrellas** usa la información de hora/ubicación introducida y permite al usuario seleccionar las dos estrellas de alineación a las que se desplazará automáticamente el telescopio.
- La **Alineación de una estrella** usa la misma información de hora/ubicación pero solamente usa una estrella para la alineación.
- La **Alineación de sistema solar** mostrará una lista de objetos diurnos visibles (planetas y la Luna) disponibles para alinear el telescopio.
- El **Alineamiento rápido** solicitará que introduzca la misma información que para el procedimiento de alineamiento de dos estrellas. Sin embargo, en lugar de desplazarse a dos estrellas de alineamiento para centrado y alineación, el telescopio ignora este paso y modela el firmamento según la información proporcionada.
- **Última alineación** restablece la última alineación estelar y posición guardada. La última alineación también sirve como protección si el telescopio se queda sin alimentación.

Procedimiento inicial

Antes de realizar cualquiera de las alineaciones descritas, el soporte Advanced VX necesita posicionarse de forma que las marcas de índice estén alineadas en los ejes de ascensión y declinación derechos. Cuando se haya establecido la posición de índice, el mando manual mostrará la última fecha introducida y la información de hora guardada en el mando manual.

1. Pulse ENTER para iniciar el proceso de alineación.
2. El mando manual solicitará al usuario poner el soporte en posición de índice. Mueva el soporte del telescopio, manualmente o con el mando manual, de forma que el índice marcado en R.A. y Dec esté alineado. Pulse ENTER para continuar.
 - El mando manual mostrará la última hora local introducida, la zona horaria y la fecha.
 - Use las teclas arriba/abajo (10) para ver los parámetros actuales.

- Pulse ENTER para aceptar los parámetros actuales.
- Pulse ANTERIOR para introducir la información de fecha, hora y ubicación actual en el mando manual.

3. Se mostrará la información siguiente:

• **Ubicación** – El mando manual mostrará una lista de ciudades para elegir. Elija la ciudad de la base de datos más cercana al lugar de observación actual. La ciudad elegida se recordará en la memoria del mando manual de forma que se muestre automáticamente la siguiente vez que se realice una alineación. Alternativamente, si conoce la longitud y latitud exacta de su lugar de observación, puede introducirlas directamente en el mando manual y recordarlas para usarlas en el futuro. Para elegir una ciudad:

- Use las teclas de desplazamiento arriba y abajo para elegir entre la base de datos de ciudades y el lugar personalizado. La base de datos de ciudad le permitirá elegir la ciudad más cercana al lugar de observación en una lista de ubicaciones de todo el mundo y de EE.UU. El lugar personalizado le permite introducir la longitud y latitud exactas del lugar de observación. Seleccione base de datos de ciudad y pulse ENTER.
- El mando manual le permitirá elegir entre ubicaciones de EE.UU. o internacionales. Para una lista de ubicaciones de EE.UU. por estado y ciudad, pulse ENTER cuando se muestre Estados Unidos. Para ubicaciones internacionales, use la tecla de desplazamiento arriba o abajo para elegir Internacional y pulse ENTER.
- Use los botones de desplazamiento arriba y abajo para elegir su estado actual (o país si ha elegido ubicaciones internacionales) de la lista alfabética y pulse ENTER.
- Use los botones de desplazamiento arriba y abajo para elegir la ciudad más cercana a su ubicación de la lista mostrada y pulse ENTER.

• **Hora** – Introduzca la hora actual de su zona. Puede introducir la hora local (p.ej., 08:00) o introducir la hora en formato horario militar (p.ej. 20:00).

- Seleccione PM o AM. Si ha introducido formato horario militar, el mando manual se saltará este paso.
- Elija entre hora estándar u horario de verano. Use los botones de desplazamiento arriba y abajo (10) para cambiar entre las opciones.
- Seleccione la zona horaria desde la que observe. De nuevo, use los botones de desplazamiento arriba y abajo (10) para moverse entre las opciones. Consulte el mapa de zonas horarias en el apéndice para obtener más información.

• **Fecha** – Introduzca el mes, día y año de la sesión de observación.

Nota: Actualizar su ubicación – Como puede no necesitar actualizar la ubicación de observación tanto como la fecha y hora, no se muestra cada vez que actualiza fecha y hora. Para actualizar la ciudad, pulse ANTERIOR en cualquier momento cuando actualice la fecha y hora. Siga pulsando ANTERIOR para cambiar el estado, país o para añadir coordenadas de longitud/latitud.

Nota: Si introduce información incorrecta en el mando manual, el botón ANTERIOR sirve como retroceso, permitiendo al usuario volver a introducir los datos correctos.

Seleccione uno de los métodos de alineación como se describe a continuación.

Alineación de dos estrellas

La alineación de dos estrellas permite al usuario seleccionar dos estrellas con las que alinear el telescopio. Para alinear el telescopio con el método de alineación de dos estrellas:

1. Seleccione Alineación de dos estrellas en las opciones de alineamiento mostradas. Según la información de fecha y hora introducida, el mando manual seleccionará y mostrará automáticamente una estrella brillante sobre el horizonte.
 - Pulse ENTER para seleccionar esta estrella como primera estrella de alineación.
 - Si por algún motivo la estrella elegida no es visible (quizá tras un árbol o edificio), pulse ANTERIOR para que el mando manual seleccione automáticamente la siguiente estrella más brillante.
 - También puede usar las teclas arriba/abajo para explorar toda la lista de estrellas con nombre y seleccionar cualquiera de las más de doscientas estrellas de alineación.
2. Cuando el telescopio termine de desplazarse a la primera estrella de alineación, la pantalla se solicitará usar los botones de flecha para alinear la estrella seleccionada con el puntero del localizador. Una vez centrada en el localizador, pulse ENTER.

La pantalla le indicará que centre la estrella en el campo de visión del ocular. Cuando la estrella esté centrada, pulse ALINEAR para aceptar esta estrella como primera estrella de alineación.

Importante: Cuando mueva el telescopio, recuerde terminar de desplazarse siempre usando los botones de dirección ARRIBA y DERECHA en el mando manual para eliminar retroceso mecánico de los engranajes.

3. Cuando se haya introducido la primera estrella de alineación, el mando manual seleccionará automáticamente una segunda estrella de alineación y le hará repetir el procedimiento para ella.

Cuando el telescopio se haya alineado con ambas estrellas la pantalla solicitará si desea añadir estrellas de calibración adicionales. Las estrellas de calibración se usan para mejorar la precisión de apuntado de su telescopio compensando sutiles desalineaciones opto-mecánicas entre la óptica del telescopio y el soporte. Por lo tanto, normalmente es buena idea añadir al menos una estrella de calibración adicional para mejorar la precisión de apuntado en todo el firmamento del soporte.

4. Pulse ENTER para seleccionar una estrella de calibración. Seleccione una estrella del mismo modo que lo ha hecho con las primeras dos estrellas de alineación y pulse ENTER. Observará que las estrellas de calibración mostradas se encuentran en el lado opuesto del lado

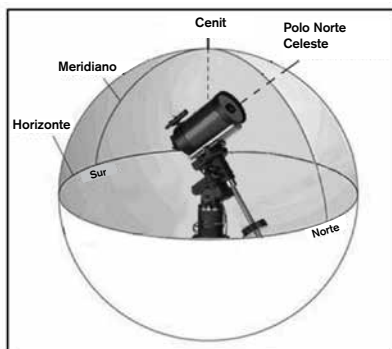
del firmamento (meridiano) de las estrellas de alineación originales. Esto es esencial para calibrar con precisión el soporte.

Para terminar, puede elegir continuar añadiendo estrellas de calibración adicionales o pulsar ANTERIOR para finalizar la alineación.

Nota: Filtrado este/oeste – Para garantizar la mayor precisión de apuntado en todo el firmamento, el soporte informatizado filtra automáticamente y elige sus estrellas de alineación iniciales de forma que las dos primeras estrellas de alineación se encuentren en un lado del meridiano y cualquier estrella de calibrado esté en el lado opuesto del meridiano, como se indica con "W" o "E" mostrado en la esquina superior derecha del LCD. La filtración este/oeste puede cambiarse pulsando el botón MENÚ en cualquier momento del proceso de alineación.

Recomendaciones para añadir estrellas de calibración:

- Aunque no es necesario añadir estrellas de calibración para una observación esporádica, se recomienda que añada tres estrellas de calibración para una precisión óptima.
- Elegir estrellas de calibración cerca del ecuador celeste ofrece mejores resultados que las estrellas cerca de los polos celestes.
- Aunque no es necesario usar estrellas de calibración si el soporte del telescopio no se ha movido desde su alineación/calibración original, puede ser necesario recalibrar el telescopio si el tubo óptico se ha retirado por cualquier motivo.



Nota: Meridiano – El meridiano es una línea imaginaria en el firmamento que comienza en el polo norte celeste y termina en el polo sur celeste, y pasa por el cenit. Si está mirando al sur, el meridiano comienza en su horizonte sur y pasa directamente por encima hasta el polo norte celeste.

Por motivos de seguridad, no se muestra el Sol en ninguna de las listas de objetos personalizados del mando manual a menos que se habilite desde el menú Utilidades. Para poder mostrar el Sol en el mando manual, realice lo siguiente:

1. Pulse el botón ANTERIOR hasta que la pantalla muestre "Advanced VX preparado"

2. Pulse el botón MENÚ y use las teclas arriba y abajo para seleccionar el menú Utilidades. Pulse ENTER.
3. Use las teclas arriba y abajo para seleccionar el menú solar y pulse ENTER.
4. Pulse ENTER de nuevo para permitir que el Sol aparezca en la pantalla del mando manual.

Puede quitar el Sol de la pantalla usando el proceso indicado anteriormente.

Recomendación: Para mejorar la precisión del apuntado del telescopio puede usar la función Realineación como se describe a continuación.

Alineación rápida

La alineación rápida usa la información de fecha y hora introducida al inicio para alinear el telescopio. Sin embargo, en lugar de desplazarse a dos estrellas de alineación para centrado y alineación, el telescopio ignora este paso y modela el firmamento según la información proporcionada. Con ello podrá desplazarse de una forma general a las coordenadas de objetos brillantes, como la Luna y otros planetas, y le ofrece al telescopio la información necesaria para seguir objetos en cualquier parte del firmamento (según la precisión de la alineación polar). La alineación rápida no está pensada para usarse para localizar con precisión objetos pequeños o tenues del espacio profundo, ni para realizar el seguimiento de objetos con precisión para fotografiarlos.

Para usar la alineación rápida, seleccione Alineación rápida en las opciones de alineación y pulse ENTER. El telescopio usará automáticamente los parámetros de fecha/hora introducidos para alinearse con el firmamento y mostrará Alineación con éxito.

Nota: Cuando se haya realizado una Alineación rápida, puede usar la función de Realineación (más adelante) para mejorar la precisión de apuntado de su telescopio.

Última alineación

El método de última alineación recuperará automáticamente las últimas posiciones de índice guardadas para seguir usando la alineación guardada al apagar por última vez el telescopio. Es una función útil si el telescopio pierde energía accidentalmente o se apaga.

Nota: Al igual que con la alineación rápida, puede usar la función de realineación (ver más adelante) para mejorar la precisión de apuntado de su telescopio tras usar el método de última alineación. Para mantener una alineación más precisa en una serie de sesiones de observación, use la función de Hibernación descrita más adelante en este capítulo.

Realineación

El soporte tiene una función de realineación que le permite sustituir cualquiera de las estrellas de alineación originales con una nueva estrella u objeto celeste. Puede ser útil en varias situaciones:

- Si observa durante varias horas, puede notar que las dos estrellas de alineación originales se han desplazado

notablemente hacia el oeste. (Recuerde que las estrellas se mueven a una velocidad de 15° por hora). La alineación de una nueva estrella que esté en la zona este del firmamento mejorará la precisión del apuntado, especialmente en objetos en esa zona del firmamento.

- Si ha alineado el telescopio usando el método de alineación rápida, puede usar la realineación para alinearse con un objeto real del firmamento. Así mejorará la precisión del telescopio sin tener que volver a introducir información adicional.
- Si ha usado el método de alineación polar asistido automáticamente y ha movido manualmente el soporte, puede ser necesario realinear el soporte para una precisión de apuntado mejorada.

Para sustituir una estrella de alineación existente por una nueva estrella de alineamiento:

1. Seleccione la estrella deseada (u objeto) de la base de datos y desplácese hasta ella.
2. Centre cuidadosamente el objeto en el ocular.
3. Una vez centrado, pulse el botón ANTERIOR hasta que esté en el menú principal.
4. Cuando se muestre Advanced VX preparado, pulse la tecla ALINEAR en el mando manual para seleccionar estrellas de alineación de la lista de opciones.
5. La pantalla le solicitará la estrella de alineamiento que quiera sustituir. Use las teclas de desplazamiento arriba y abajo para elegir la estrella de alineación a reemplazar. Es preferible sustituir la estrella más cercana al nuevo objeto. Así espaciará las estrellas de alineación en el firmamento.
6. Pulse ALINEAR para realizar el cambio.

Catálogo de objetos

Selección de un objeto

Una vez el telescopio esté correctamente alineado, puede elegir un objeto de cualquiera de los catálogos de la base de datos del mando manual NexStar+. El mando manual tiene una tecla designada para cada categoría de objetos en su base de datos; objetos del sistema solar, estrellas y objetos del espacio profundo.

- **Sistema solar** – El catálogo del sistema solar mostrará todos los planetas (y la Luna) de nuestro sistema solar actualmente visibles en el firmamento. Para poder mostrar el Sol como opción en la base de datos, consulte la opción de Menú solar en el menú de configuración del telescopio.
- **Estrellas** – El catálogo de estrellas muestra listas personalizadas de las estrellas más brillantes, estrellas dobles (binarias), estrellas variables, constelaciones y asterismos seleccionados.
- **Espacio profundo** – El catálogo Espacio profundo muestra una lista de las mejores galaxias, nebulosas y cúmulos, así como el Messier completo y una selección de objetos NGC. También dispone de una lista alfabética de todos los objetos del espacio profundo en orden

de nombre común.

Use las teclas de desplazamiento para desplazarse por los catálogos para localizar el objeto que quiera ver.

Cuando se desplace por una lista larga de objetos, mantenga pulsada la tecla ARRIBA o ABAJO para desplazarse por el catálogo rápidamente.

Moverse a un objeto

Una vez se muestre el objeto deseado en la pantalla del mando manual, dispone de dos opciones:

- **Pulse la tecla INFORMACIÓN DE OBJETO.** Le ofrecerá información útil sobre el objeto seleccionado como magnitud, constelación e información extendida de los objetos más populares.
 - Use los botones de flecha **ARRIBA/ABAJO** para moverse por la información del objeto mostrada.
 - Use el botón **ANTERIOR** para volver a la base de datos de objetos.
- **Pulse la tecla ENTER.** Moverá automáticamente el telescopio a las coordenadas del objeto mostrado en el mando manual. Mientras el telescopio se desplaza al objeto, el usuario puede acceder a muchas de las funciones del mando manual (como mostrar información sobre el objeto).

NOTA: Los catálogos Messier, NGC y SAO requieren que el usuario introduzca una designación numérica. Cuando haya seleccionado el botón de catálogo correspondiente y seleccionado el catálogo Messier, NGC o SAO, verá un cursor parpadeante que indica que está en modo de introducción numérica. Introduzca el número de catálogo del objeto que quiera ver. Pulse **ENTER** para ordenar al telescopio que se desplace al objeto, o mantenga pulsado el botón **OPCIÓN** (el logo Celestron) y pulse **INFORMACIÓN DE OBJETO** para ver información sobre el objeto que ha seleccionado.

Precaución: No mueva nunca el telescopio cuando alguien esté mirando por el ocular. El telescopio se puede mover a velocidades de desplazamiento rápidas y golpear al observador en el ojo.

Botón SkyTour

El Advanced VX incluye una función de recorrido que le permite de forma automática elegir entre una lista de objetos interesantes según la fecha y hora en la que esté observando. El recorrido automático mostrará solamente los objetos que se encuentren en los límites de filtros establecidos en el catálogo. Para activar la función Tour, pulse la tecla **SKY TOUR** en el mando manual.

1. Pulse el botón **SKY TOUR** del mando manual.
2. Use los botones **DESPLAZAMIENTO** para seleccionar Lo mejor de esta noche.
3. El soporte Advanced VX se moverá automáticamente en azimut hasta su posición inicial, lo que ayudará a minimizar las posibilidades de enrollar el cable de alimentación

durante el recorrido.

4. El mando manual mostrará los mejores objetos que se puedan observar en ese momento en el firmamento.
 - Para ver información y datos sobre el objeto mostrado, pulse la tecla **INFORMACIÓN DE OBJETO**. Púlselo una vez para mostrar las coordenadas del objeto. Púlselo de nuevo para mostrar la descripción textual. Pulse **ANTERIOR** para volver a la pantalla anterior.
 - Para desplazarse al objeto mostrado pulse **ENTER**.
 - Para ver el siguiente objeto del recorrido, pulse la tecla **ABAJO**.

Botón Identificar

Pulsar el botón **IDENTIFICAR** buscará en los catálogos de la base de datos del soporte y mostrará el nombre y distancias angulares a los objetos coincidentes más cercanos a la ubicación actual del telescopio. Esta función sirve para dos fines. Primero, puede usarse para identificar un objeto desconocido en el campo de visión de su ocular. Además, el modo identificar puede usarse para localizar otros objetos celestes cercanos a los objetos que esté observando.

Por ejemplo, si su telescopio está apuntado a la estrella más brillante de la constelación Lira, elegir Identificar devolverá sin duda la estrella Vega como la observada. Sin embargo, la función Identificar también buscará en las bases de datos NGC y del sistema solar y mostrará cualquier planeta u objeto de espacio profundo cercano. En este ejemplo, la Nebulosa del Anillo (M57) se mostraría como aproximadamente a 6° de distancia.

El brillo y la proximidad de los objetos mostrados puede definirse por el usuario usando el Filtro identificar en Configuración de telescopio.

Botones de dirección

El mando manual tiene cuatro botones de dirección en el centro del mando que controla el movimiento del telescopio en altitud (arriba y abajo) y azimut (izquierda y derecha). El telescopio puede controlarse a nueve velocidades distintas.

1 = 2x	6 = .3° / s
2 = 4x	7 = 1° / s
3 = 8x	8 = 2° / s
4 = 16x	9 = 4° / s
5 = 32x	

Botón de velocidad de motor

El botón **VELOCIDAD DE MOTOR** (12) le permite cambiar inmediatamente la velocidad de los motores de una velocidad de desplazamiento elevada a una velocidad de guiado precisa, o cualquier punto intermedio. Cada velocidad se corresponde con un número del teclado del mando manual. El número 9 es la velocidad más alta (aproximadamente 4° por segundo, según la alimentación) y se usa para desplazarse entre objetos y localizar estrellas de alineación. El botón de número 1 del mando manual es la velocidad más lenta (2x media sideral) y puede usarse para

un centrado preciso de objetos en el ocular. Para cambiar la velocidad de los motores:

- Pulse la tecla **VELOCIDAD DE MOTOR** del mando manual. El LCD mostrará la velocidad actual.
- Pulse el número del mando manual que se corresponda con la velocidad deseada.

El mando manual tiene una función de “doble botón” que le permite acelerar inmediatamente los motores sin tener que elegir una velocidad. Para usar esta función, pulse el botón de flecha que se corresponda con la dirección en la que quiera mover el telescopio. Manteniendo pulsado el botón, pulse el botón de la dirección opuesta. Aumentará la velocidad al desplazamiento máximo.

Cuando use los botones de dirección **ARRIBA** y **ABAJO** del control manual, las velocidades de desplazamiento más lentas (6 e inferior) moverán los motores en dirección opuesta que en las velocidades de desplazamiento más altas (7-9). Esto se hace para que un objeto se mueva en la dirección correcta cuando se mire en el ocular (por ejemplo, pulsar la flecha arriba moverá la estrella arriba en el campo de visión del ocular). Sin embargo, si cualquiera de las velocidades más lentas (6 e inferior) se usan para centrar un objeto en el localizador, puede tener que pulsar el botón de dirección opuesta para hacer que el telescopio se mueva en la dirección correcta.

Botón Ayuda

En futuras actualizaciones de firmware, este botón ofrecerá recomendaciones para solucionar problemas. Para su comodidad, actualmente funciona como acceso directo al catálogo Messier.

Botón Menú

El soporte Advanced VX contiene muchas funciones de configuración definidas por el usuario, diseñadas para dar al usuario control de las muchas funciones del telescopio. Puede acceder a todas las funciones de configuración y utilidades pulsando la tecla **MENÚ** y desplazándose por las opciones siguientes.

Menú de seguimiento

Modo seguimiento – Le permite cambiar la forma en la que el telescopio realiza el seguimiento según el tipo de soporte usado para aguantar el telescopio. El telescopio dispone de tres distintos modos de seguimiento:

- **EQ Norte** – Se utiliza para seguir el firmamento cuando el telescopio tenga alineación polar en el hemisferio norte.
- **EQ Sur** – Se utiliza para seguir el firmamento cuando el telescopio tenga alineación polar en el hemisferio sur.
- **Apagado** – Cuando se use el telescopio para observación terrestre (en tierra) puede apagarse el seguimiento de forma que el telescopio no se mueva.

Velocidad de seguimiento – Además de poder mover el telescopio con los botones del mando manual, su telescopio seguirá continuamente un objeto celeste a medida que se mueve por el cielo nocturno. La velocidad de seguimiento puede cambiar según el tipo de objeto observado:

- **Sideral** – Esta velocidad compensa la rotación de la Tierra moviendo el telescopio a la misma velocidad que la rotación, pero en dirección opuesta. Cuando el telescopio tiene alineación polar, puede conseguirlo moviendo el telescopio solamente en ascensión derecha.
- **Lunar** – Utilizado para seguir la Luna cuando observe el paisaje lunar.
- **Solar** – Usada para seguir el Sol durante la observación solar con el filtro adecuado.

Menú Ver hora-lugar

Este menú muestra la hora actual y la longitud/latitud descargada del receptor GPS opcional SkySync. También mostrará otra información de hora-lugar correspondiente como la zona horaria, horario de verano y hora sideral local. La hora sideral local (LST) es útil para conocer la ascensión correcta de objetos celestes que se encuentran en el meridiano en ese momento. Ver hora-lugar muestra siempre la última hora y ubicación introducida cuando tenga conexión con el GPS. Cuando se haya recibido información actualizada, se cambiará la información mostrada. Si el GPS está apagado o no está presente, el mando manual solamente mostrará la última hora y ubicación guardada.

Menú del mando manual

El menú "Mando manual" le permite personalizar ciertas características del mando manual NexStar+. Para acceder al menú, pulse el botón **MENÚ** (#7 en el teclado) y use los botones de desplazamiento para seleccionar "Mando manual", y pulse ENTER. Use los botones de desplazamiento para seleccionar entre las opciones siguientes:

- **Control de luz:** Ajuste independiente del brillo del teclado numérico y el LCD.
- **Menú de desplazamiento:** Ajusta la velocidad de movimiento del texto por la pantalla LCD.
- **Activar negrita:** Cambia el formato de la fuente mostrada en el LCD de normal a negrita.
- **Establecer contraste:** Use las teclas de desplazamiento para ajustar el contraste del LCD.
- **Establecer idioma:** Cambia el idioma mostrado en el LCD.

Nota: La función Establecer idioma también puede aparecer la primera vez que use su nuevo mando manual. También puede iniciarlo en cualquier momento manteniendo pulsado el botón Opción (el logo Celestron) durante 10 segundos mientras el telescopio esté encendido.

Menú de configuración del telescopio

Configurar hora-lugar – Permite al usuario personalizar la pantalla del telescopio cambiando los parámetros de hora y ubicación (como la zona horaria y el horario de verano).

Compensación de retroceso – Todos los engranajes mecánicos tienen cierta cantidad de retroceso o juego entre engranajes. Este juego resulta evidente en el tiempo que tarda en moverse una estrella en el ocular cuando los botones de flecha del mando manual se pulsan (especialmente al cambiar direcciones). La función anti retroceso del

Advanced VX permite al usuario compensar el retroceso introduciendo un valor que retroceda rápidamente los motores lo justo para eliminar el juego entre engranajes. La cantidad de compensación necesaria depende de la velocidad de desplazamiento seleccionada; cuanto menor sea la velocidad de desplazamiento más tardará la estrella en parecer moverse en el ocular. Dispone de dos valores para cada eje, positivo y negativo:

- Positivo es la cantidad de compensación aplicada cuando pulse el botón para mover los engranajes rápidamente sin una pausa prolongada.
- Negativo es la cantidad de compensación aplicada cuando suelte el botón, rebobinando los motores en dirección contraria para continuar el seguimiento.

Normalmente, ambos valores deberían ser idénticos. Deberá experimentar con distintos valores (entre 0-99); un valor entre 20 y 50 es normalmente preferible para la mayoría de observaciones visuales, mientras que un valor superior puede ser necesario como guía para fotografía.

Para establecer el valor de compensación de retroceso, desplácese a la opción de compensación de retroceso y pulse ENTER. Cuando esté observando un objeto en el ocular, observe la respuesta de cada uno de los cuatro botones de flecha. Observe las direcciones en las que note una pausa en el movimiento estelar tras pulsar el botón. Trabajando en un eje cada vez, ajuste la configuración de retroceso lo suficientemente alta como para causar un movimiento inmediato sin resultar en un salto pronunciado al pulsar o soltar el botón. Ahora, introduzca los mismos valores para las direcciones positiva y negativa. Si observa un salto al soltar el botón pero establecer valores más bajos resulta en una pausa al pulsarlo, use el valor más alto para positivo, pero use el más bajo para negativo. El telescopio recordará estos valores y los usará cada vez que se active hasta que se modifiquen.

Límites de filtro – Cuando se complete un alineamiento, el telescopio conocerá automáticamente los objetos celestes sobre el horizonte. Como resultado, cuando se desplace por las listas de la base de datos (o seleccione la función de recorrido), el mando manual mostrará solamente los objetos que se sepa que estén sobre el horizonte cuando esté observando. Puede personalizar la base de datos de objetos seleccionando límites de altitud adecuados para su ubicación y situación. Por ejemplo, si está observando desde una ubicación montañosa en la que el horizonte esté parcialmente oculto, puede establecer el límite de altitud mínimo para que lea +20°. Esto garantizará que el mando manual solamente muestre objetos con una altitud superior a 20°.

Recomendación: Si quiere explorar toda la base de datos de objetos, establezca el límite de altitud máximo en 90 ° y el límite mínimo en -90 °. Mostrará cada objeto de las listas de la base de datos sin importar si es visible en el firmamento desde su ubicación.

Botones de dirección – La dirección en la que parece moverse una estrella en el ocular cambia según el lado del meridiano en el que este el tubo del telescopio. Puede crear confusión, especialmente al orientarse a una estrella cuando

esté tomando fotografías. Para compensarlo, la dirección de las teclas de control del motor puede cambiarse. Para invertir la lógica del botón del mando manual, pulse el botón MENÚ y seleccione los botones de dirección desde el menú Utilidades. Use las teclas de flecha arriba/abajo (10) para seleccionar la dirección de azimut (ascensión derecha) o altitud (declinación) y pulse ENTER. Seleccione positivo o negativo para ambos ejes y pulse ENTER para guardar. Establecer el botón de dirección de azimut en positivo moverá el telescopio en la misma dirección que sigue el telescopio (por ejemplo, hacia el oeste). Establecer los botones de altitud en positivo moverá el telescopio a la izquierda a lo largo del eje DECLINACIÓN.

Aproximación IrA – permite al usuario definir la dirección en la que se acercará el telescopio cuando se desplace a un objeto. Permite al usuario la capacidad de minimizar los efectos del retroceso cuando se desplace de objeto a objeto. Al igual que con los botones de dirección, establecer la aproximación IrA en positivo hará que el telescopio se aproxime a un objeto desde la misma dirección que el seguimiento (oeste) para azimut y la izquierda en declinación. El acercamiento IrA de declinación solamente será aplicable mientras el tubo del telescopio esté en un lado del meridiano. Cuando el tubo pase al otro lado del meridiano, el acercamiento IrA deberá invertirse.

Para cambiar la dirección de acercamiento IrA, elija Acercamiento IrA desde el menú de configuración del telescopio, seleccione acercamiento de altitud o azimut, elija positivo o negativo y pulse ENTER.

Recomendación: Para minimizar el efecto del retroceso del engranaje en la precisión de apuntado, la configuración para el botón de dirección debería coincidir con la configuración del acercamiento IrA. Por defecto, usar los botones de dirección arriba y derecha para centrar estrellas de alineación eliminará automáticamente gran parte del retroceso de los engranajes. Si cambia el acercamiento IrA de su telescopio, no es necesario cambiar también la dirección de los botones. Observe la dirección en que se mueve el telescopio cuando finalice su aproximación IrA final. Si el telescopio se acerca a su estrella de alineación desde el oeste (azimut negativo) y a la derecha (altitud negativa) y asegúrese de que los botones usados para centrar las estrellas de alineación también muevan el telescopio en las mismas direcciones.

Velocidad de autoguía – permite al usuario establecer una velocidad de autoguía como porcentaje de velocidad sideral. Es útil cuando calibre su telescopio a una autoguía CCD para una fotografía de larga exposición.

Orientación OTA – Algunos usuarios pueden querer usar un adaptador de barra tándem opcional que le permite fijar dos tubos ópticos al soporte simultáneamente. Cuando la mayoría de barras tándem se fijan a un soporte, los tubos ópticos se colocan en un ángulo de 90° respecto la configuración habitual. Para que el soporte se alinee correctamente con las estrellas, debe saber que se usa una barra de tándem y la dirección en la que están posicionados los tubos ópticos (este u oeste) cuando inicia una alineación. La opción de tándem debe establecerse antes de iniciar cualquiera de las

alineaciones estelares. Para establecer esta opción, acceda al menú de configuración del telescopio, seleccione la opción Tándem y pulse ENTER. Seleccione entre una de las opciones siguientes:

- **Este** – Si los tubos ópticos instalados miran al este cuando los marcadores de índice de declinación están alineados, seleccione Este.
- **Oeste** – Si los tubos ópticos instalados miran al oeste cuando los marcadores de índice de declinación están alineados, seleccione Oeste.
- **Normal** – Si la barra de tándem ya no se usa, seleccione “normal” para apagar esta función.

Meridiano – Esta función instruye al soporte el modo de respuesta al moverse a objetos accesibles desde ambos lados del meridiano. La función Meridiano permite al tubo telescópico permanecer en el lado deseado del soporte cuando se desplaza, y continuar el seguimiento según los límites de desplazamiento R.A. que haya establecido el usuario. Consulte los límites R.A. a continuación. La función Meridiano permite cuatro elecciones:

- **Favorecer actual** – Permite al soporte favorecer el lado del soporte que esté activo actualmente al desplazarse a objetos cerca del meridiano. Por ejemplo, si los límites de desplazamiento R.A. se han establecido para permitir que el soporte siga 10° más allá del meridiano, el telescopio seguirá en su lado del meridiano actual al desplazarse a objetos que se encuentren hasta a 10° de su meridiano.
- **Favorecer oeste** – Si el objeto está accesible desde ambos lados del soporte, seleccionar “Favorecer oeste” indica al soporte que apunte al objeto como si estuviera en el lado oeste del meridiano. El tubo óptico se colocará en el lado este del soporte y apuntará al oeste.
- **Favorecer este** – Si el objeto está accesible desde ambos lados del soporte, seleccionar “Favorecer este” indica al soporte que apunte al objeto como si estuviera en el lado este del meridiano. El tubo óptico se colocará en el lado oeste del soporte y apuntará al este.
- **Desactivar** – Es la configuración por defecto, que instruye al soporte oscilar siempre al otro lado del soporte según sea necesario para ver objetos en el lado opuesto del meridiano. Sin embargo, cuando esté en el objeto deseado, el soporte seguirá realizando el seguimiento más allá del meridiano según los límites de desplazamiento R.A. que se hayan establecido.

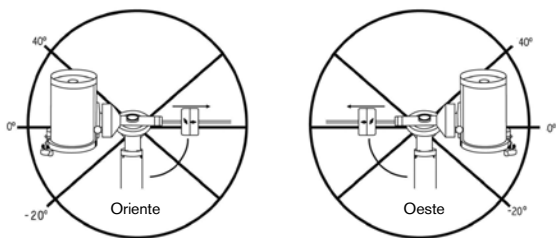
Configuración de soporte – Cuando se haya calibrado la configuración del soporte (consulte la sección Utilidades a continuación) los valores se guardan y se muestran en el mando manual. No se recomienda cambiar los valores de calibración. Sin embargo, cada configuración puede cambiarse si es necesario para mejorar el rendimiento del telescopio.

- **Valor de cono** – Es el valor de error de cono establecido cuando se realiza Utilidades/Calibrar soporte/Conmutador DEC – Cono.
- **Índice DEC** – Es el valor de error de índice de declinación guardado al añadir estrellas de calibración tras la alineación estelar inicial.

- **Índice R.A.** – Es el valor de error del índice R.A. establecido cuando se realiza Utilidades/Calibrar soporte/Conmutador R.A.

Límites R.A. – Establece los límites de ascensión derecha (R.A.) a los que se puede desplazar el telescopio o realizar seguimiento antes de detenerse. Los límites de desplazamiento se representan en grados y por defecto se establece en 0°, que es la posición del telescopio cuando la barra de contrapeso esté extendido horizontalmente. Sin embargo, los límites de desplazamiento pueden personalizarse según sus necesidades. Por ejemplo, si usa equipo fotográfico CCD con cables no lo suficientemente largos para moverse con el telescopio a medida que se desplaza por el firmamento, puede ajustar el límite de desplazamiento en el lado del soporte restringido por los cables, y ordena al soporte dejar de desplazarse antes de alcanzar este punto. Si está fotografiando un objeto que acaba de cruzar el meridiano, puede establecer el límite para permitir al soporte continuar el seguimiento en la misma dirección pasado el meridiano sin necesidad de “voltear” el telescopio al lado opuesto del soporte (consulte la función Meridiano anteriormente). Usando el primer ejemplo anterior, el usuario puede desplazar el telescopio en R.A. (azimut) hasta llegar al punto en que los cables están extendidos al máximo. Luego, mostrando el azimut del telescopio en esta posición (mirando a la posición Obtener eje en el menú Utilidades) puede determinar el azimut del telescopio en su posición más extendida. Introduzca esta lectura de azimut para el límite de desplazamiento en azimut máximo o mínimo para garantizar que el telescopio no se desplace más allá de este punto. Los límites de desplazamiento del telescopio pueden establecerse para detenerse automáticamente en cualquier lugar entre 40° por encima del nivel y 20° por debajo del nivel. Para establecer el límite de desplazamiento R.A. seleccione lo siguiente:

- **Límite R.A. este** – Introduzca un número entre +40° y -20° para definir el límite de desplazamiento cuando el tubo esté en el lado este del soporte.
- **Límite R.A. oeste** – Introduzca un número entre +40° y -20° para definir el límite de desplazamiento cuando el tubo esté en el lado oeste del soporte.
- **Desactivar límites** – Desactiva cualquier valor predefinido que se haya introducido y permite al soporte seguir la cantidad máxima más allá del meridiano (por ejemplo, -20° en ambos lados)



Advertencia: Para que el telescopio pueda desplazarse

a una estrella desde la dirección que minimice la cantidad de retroceso en los engranajes, puede ser necesario que el telescopio se desplace más allá del límite de desplazamiento especificado para aproximarse a la estrella desde la dirección correcta. Esto puede limitar su capacidad de desplazamiento a un objeto en hasta 6° del límite de desplazamiento R.A. en el mando manual. Si demuestra ser un problema, la dirección que toma el telescopio para centrar un objeto puede modificarse. Para cambiar la dirección de desplazamiento del telescopio, consulte Acercamiento IrA en el menú Configuración del telescopio.

Velocidad personalizada 9 – Permite personalizar la velocidad a la que el soporte se desplaza a un objetivo. Puede establecer los ejes R.A. y Dec de forma individual.

Menú de utilidades

Desplazarse por las opciones del MENÚ (9) también proporcionará acceso a diversas funciones de utilidad avanzadas del telescopio como: calibrar soporte, hibernar y muchas otras.

Calibrar soporte – Para optimizar el rendimiento y precisión de apuntado del telescopio, el soporte tiene rutinas de calibración integradas que le permiten compensar la variación mecánica inherente en cualquier soporte ecuatorial alemán. Cada calibración es totalmente automática y en la mayoría de casos solamente debe realizarse una vez. Se recomienda encarecidamente que tome unos minutos para pasar por los procedimientos de calibración del soporte.

- **Conmutador R.A.** – Este procedimiento registra el error de desvío cuando la marca del índice de ascensión está alineado en el inicio. Calibrar el índice R.A. mejora la precisión de su alineación estelar inicial cuando vuelva a alinear el telescopio.
- **Calibración IrA** – La calibración IrA es una herramienta útil cuando coloque accesorios visuales o fotográficos al telescopio. La calibración IrA calcula la cantidad de distancia y tiempo que tarda el soporte en completar su último IrA lento cuando se desplaza a un objeto. Cambiar el equilibrio del telescopio puede aumentar el tiempo que tarda en completar el desplazamiento final. La calibración IrA tiene en cuenta cualquier leve desequilibrio y cambia la distancia IrA final para compensar.

Posición inicial – La posición “inicial” del telescopio es una posición definible por el usuario que se usa para guardar el telescopio cuando no se use. La posición inicial es útil al guardar el telescopio en una instalación de observatorio permanente. Por defecto la posición de inicio es la misma posición de índice usada al alinear el soporte.

Para establecer la posición de inicio de su soporte, use los botones de flecha del mando manual para mover el soporte del telescopio a la posición deseada. Seleccione la opción Establecer y pulse Enter.

Seleccione la opción IrA para devolver el telescopio a la posición de inicio en cualquier momento.

Configuración de fábrica – Devuelve el mando manual a su configuración original de fábrica. Los parámetros como la compensación de retroceso, fecha y hora inicial, longi-

tud/latitud, junto con los límites de desplazamiento y filtro, se reiniciarán. Sin embargo, los parámetros guardados como objetos definidos por el usuario seguirán guardados aunque se seleccione Configuración de fábrica. El mando manual le solicitará pulsar la tecla "0" antes de volver a la configuración por defecto de fábrica.

Versión – Seleccionar esta opción le permitirá ver el número de versión del software del mando manual y el control del motor. El primer grupo de números indica la versión de software del mando manual. Para el control del motor, el mando manual mostrará dos grupos de números; los primeros números son para el azimut y los segundos para la altitud.

Obtener posición de eje – Muestra la altitud y azimut relativas para la posición actual del telescopio.

Posición de eje IrA – Le permite introducir una posición de altitud y azimut concreta y desplazarse a ella.

Hibernar – Hibernar permite al telescopio apagarse por completo y seguir alineado al volver a encenderse. Así no solamente ahorra energía, sino que es ideal para tener el telescopio montado permanentemente o dejar el telescopio en una ubicación durante periodos largos de tiempo. Para poner el telescopio en modo Hibernar:

1. Seleccione Hibernar desde el menú Utilidades.
2. Mueva el telescopio a la posición deseada y pulse ENTER.
3. Apague el telescopio. Recuerde no mover nunca el telescopio manualmente en modo Hibernar.

Cuando el telescopio se encienda de nuevo la pantalla mostrará Activar. Tras pulsar Enter, tiene la opción de desplazarse por la información de hora/lugar para confirmar la configuración actual. Pulse ENTER para activar el telescopio.

Recomendación: Pulsar ANTERIOR en la pantalla de activación le permite explorar muchas de las funciones del mando manual sin activar el telescopio del modo de hibernación. Para activar el telescopio tras pulsar ANTERIOR, seleccione Hibernar desde el menú Utilidad y pulse ENTER. No use los botones de dirección para mover el telescopio cuando esté en modo hibernación.

Menú solar

Por motivos de seguridad el Sol no se mostrará como objeto de la base de datos a menos que esté previamente habilitado. Para activar el Sol, acceda al menú solar y pulse ENTER. El Sol se mostrará en el catálogo de planetas y puede usarse como objeto de alineación cuando use el método de alineación de sistema solar. Para quitar el Sol de las indicaciones del mando manual, seleccione de nuevo el menú solar del menú Utilidades y pulse ENTER.

Establecer posición de soporte

El menú Establecer posición de soporte puede usarse para mantener la alineación en casos en los que desee desacoplar los enganches o situaciones similares. Por ejemplo, puede usar esta función si necesita reequilibrar el soporte tras haber completado una alineación. Para establecer la posición del soporte, desplácese a una estrella brillante en

la lista de estrellas con nombre y seleccione Establecer posición de soporte. El mando manual sincronizará en la estrella solicitando que centre la estrella en el ocular y pulse el botón Alinear. Cuando haya sincronizado en la estrella, podrá mover manualmente el soporte en ambos ejes para reequilibrar. Cuando esté preparado para desplazar el telescopio al siguiente objeto, recuerde devolver manualmente el tubo a la misma estrella brillante y centrarla cuidadosamente en el ocular. Usar esta herramienta anulará el índice PEC.

Activar/desactivar GPS – Si usa su telescopio con el accesorio GPS opcional SkySync, deberá activar el GPS la primera vez que use el accesorio. Si desea usar la base de datos del telescopio para localizar las coordenadas de un objeto celeste para una fecha futura o pasada, deberá apagar el GPS para introducir manualmente una hora distinta a la actual.

Activar/desactivar RTC – Le permite apagar el reloj en tiempo real interno del telescopio. Al alinear, el telescopio seguirá recibiendo información de tiempo del RTC. Si desea usar la base de datos del mando manual para localizar las coordenadas de un objeto celeste para una fecha futura o pasada, deberá apagar el RTC para introducir manualmente una hora distinta a la actual.

Corrección de error periódica (PEC) – PEC está diseñada para mejorar la calidad fotográfica reduciendo la amplitud de los errores de engranajes y mejorando la precisión de seguimiento del motor. Esta función sirve para astrografía avanzada y se usa cuando su telescopio tiene alineación polar precisa. Para más información sobre el uso de PEC, consulte la sección del manual sobre "Fotografía astronómica."

Menú de objetos del usuario

Su telescopio puede guardar hasta 400 objetos distintos definidos por el usuario en memoria. Los objetos pueden ser objetos terrestres diurnos o un objeto celeste interesante que descubra que no esté incluido en la base de datos normal. Hay distintas formas de guardar un objeto en memoria, según el tipo de objeto que sea:

IrA Objeto: Para ir a cualquiera de los objetos definidos por el usuario de la base de datos, desplácese a "IrA Obj. celeste" o "IrA Obj.terrestre", introduzca el número del objeto que quiera seleccionar y pulse ENTER. El telescopio recuperará automáticamente y mostrará las coordenadas antes de desplazarse al objeto.

Guardar objeto celeste: Su telescopio guarda objetos celestes en su base de datos guardando sus coordenadas de ascensión derecha y declinación correctas en el firmamento. De este modo puede localizarse el mismo objeto cada vez que se alinee el telescopio. Cuando se centre el objeto deseado en el ocular, desplácese al comando "Guardar obj.cel." y pulse ENTER. La pantalla le solicitará introducir un número entre 1 y 200 para identificar el objeto. Pulse ENTER de nuevo para guardar este objeto en la base de datos.

Guardar base de datos (Bd)

- **Objeto:** Esta función le permite crear su propio recorrido personalizado de objetos de la base de datos permitiéndole registrar la posición actual del telescopio y guardar el nombre del objeto seleccionándolo de cualquiera de los catálogos de la base de datos. Se puede acceder a estos objetos seleccionando IrA objeto celeste.
- **Introducir R.A.- Dec:** También puede guardar un grupo de coordenadas concreto para un objeto introduciendo el R.A. y declinación para ese objeto. Desplácese al comando "Introducir RA-DEC" y pulse ENTER. La pantalla le solicitará introducir primero el R.A. y a continuación la declinación del objeto deseado.
- **Guardar objeto terrestre:** El telescopio también puede usarse como telescopio para objetos terrestres. Los objetos terrestres fijos pueden guardarse registrando su altitud y azimut relativa con la ubicación del telescopio en el momento de la observación. Como estos objetos son relativos a la ubicación del telescopio, solamente tienen validez para esa ubicación exacta. Para guardar objetos terrestres, centre de nuevo el objeto deseado en el ocular. Desplácese al comando "Guardar obj.terrestre" y pulse ENTER. La pantalla le solicitará introducir un número entre 1 y 200 para identificar el objeto. Pulse ENTER de nuevo para guardar este objeto en la base de datos.

Para sustituir el contenido de cualquiera de los objetos definidos por el usuario, guarde un nuevo objeto usando uno de los números de identificación existentes; el telescopio sustituirá el objeto definido por el usuario anterior con el actual.

Obtener R.A./DEC - Muestra la ascensión derecha y declinación para la posición actual del telescopio.

IrA R.A./Dec - Le permite introducir un R.A. y declinación concretos y desplazarse a él.

Recomendación: Para guardar un grupo de coordenadas (R.A./Dec) permanentemente en la base de datos, guárdelo como objeto definido por el usuario del modo descrito anteriormente.

Identificar

El modo identificación buscará los catálogos o listas de la base de datos del soporte y mostrará el nombre y distancias de desvío a los objetos coincidentes más cercanos. Esta función sirve para dos fines. Primero, puede usarse para identificar un objeto desconocido en el campo de visión de su ocular. Además, el modo identificar puede usarse para localizar otros objetos celestes cercanos a los objetos que esté observando. Por ejemplo, si su telescopio apunta a la estrella más brillante de la constelación de Lira, elegir Identificar y buscar en el catálogo de estrellas con nombres devolverá sin duda la estrella Vega como la estrella que está viendo. Sin embargo, seleccionando Identificar y buscando en los catálogos de Objeto con nombre o Messier, el control manual le hará saber que la Nebulosa del Anillo (M57) está aproximadamente a 6° de su posición actual. Buscar en el catálogo

de estrellas binarias le mostrará que Epsilon Lyrae solamente está a 1° de Vega. Para usar la función Identificar:

- Pulse el botón Menú y seleccione la opción Identificar.
- Use las teclas de desplazamiento arriba/abajo para seleccionar el catálogo en el que quiera buscar.
- Pulse ENTER para iniciar la búsqueda.

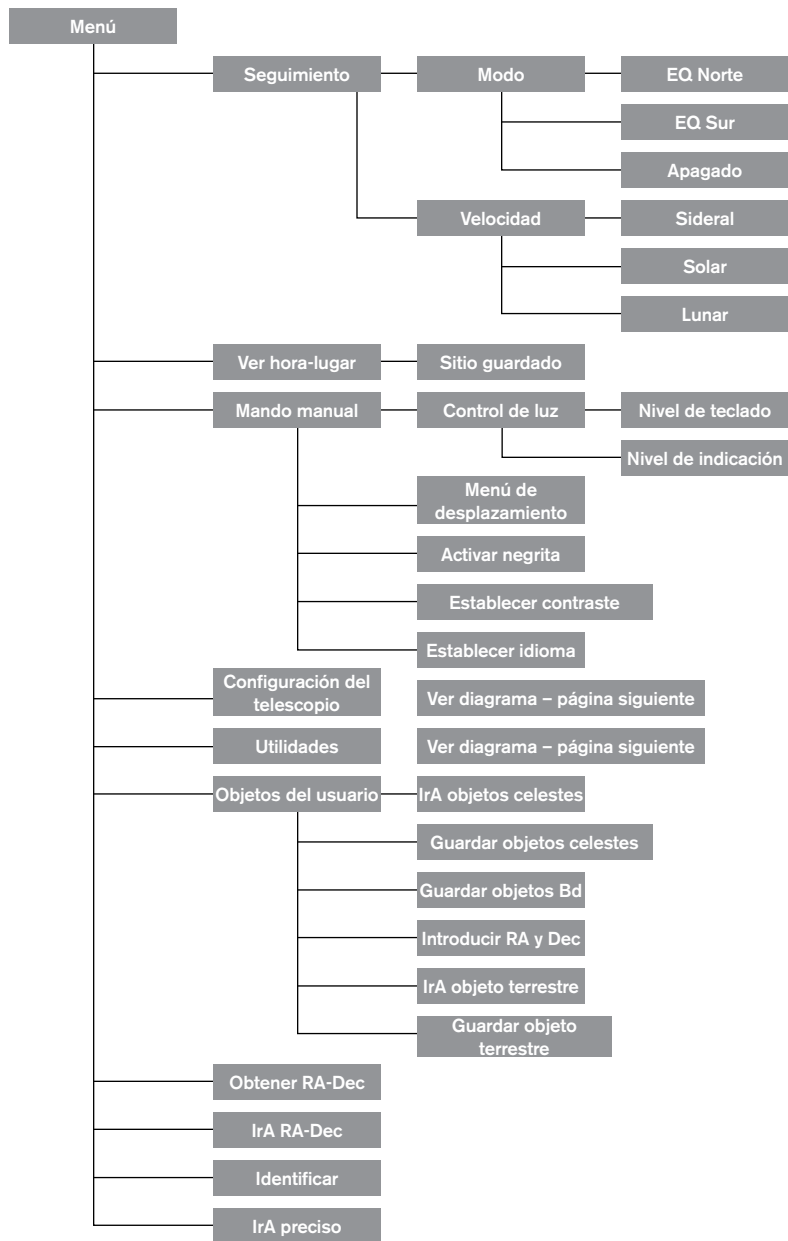
Nota: Algunas de las bases de datos contienen miles de objetos, y por lo tanto pueden tardar varios minutos para devolver los objetos más cercanos.

IrA preciso

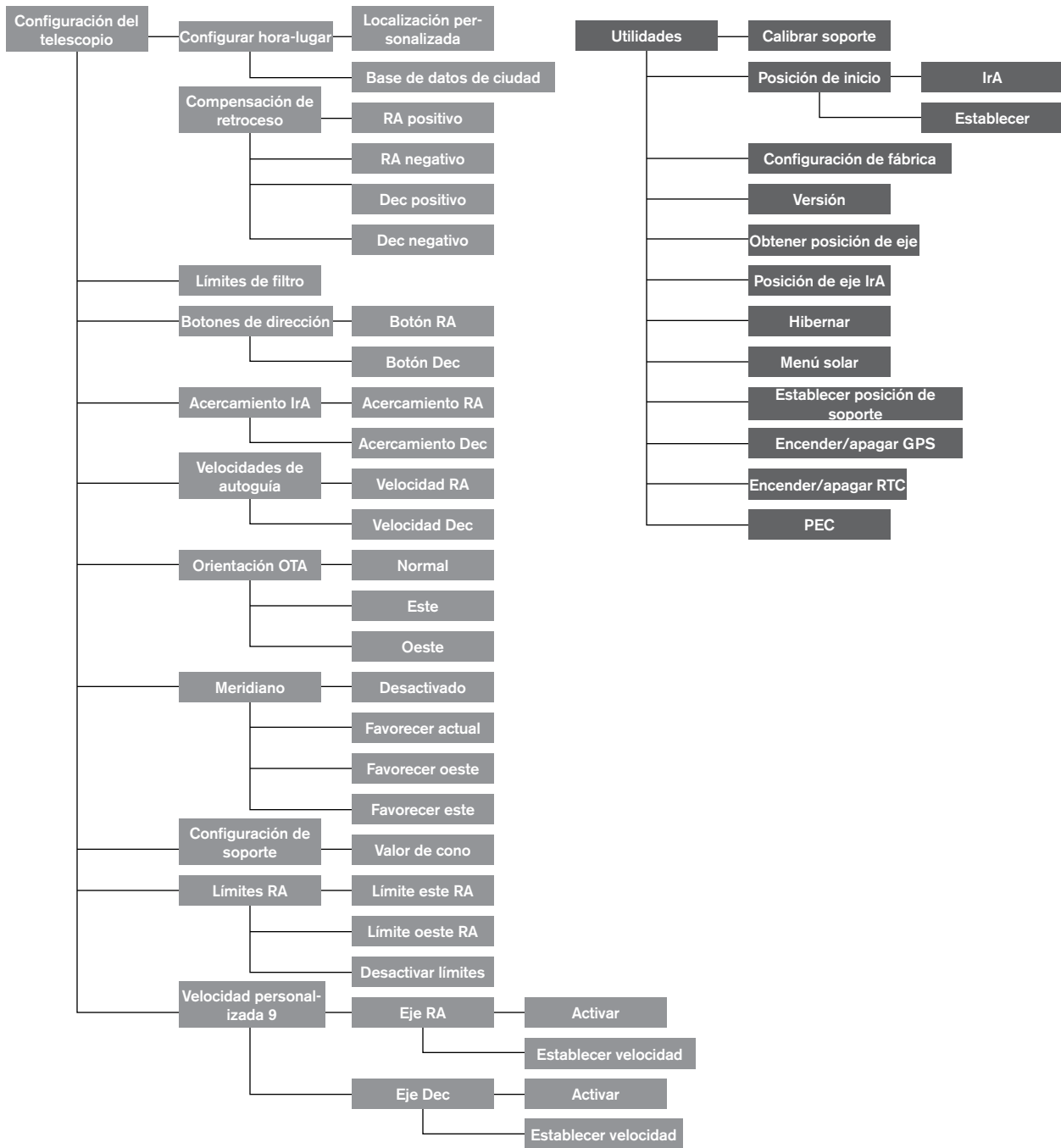
El soporte tiene una función IrA preciso que puede ayudar a localizar objetos extremadamente tenues y centrar objetos más cercanos al centro del campo de visión para fotografía astronómica. IrA preciso busca automáticamente la estrella brillante más cercana al objeto deseado y solicita al usuario centrarla cuidadosamente en el ocular. El mando manual calcula la pequeña diferencia entre su posición IrA y su posición centrada. Usando este desvío, el telescopio se desplazará al objeto deseado con una precisión mejorada. Para usar IrA preciso:

1. Pulse el botón MENÚ y use las teclas arriba /abajo para seleccionar IrA preciso.
 - Elija la base de datos para seleccionar el objeto que quiera observar de cualquiera de los catálogos de base de datos listados o;
 - Elija el R.A./DEC para introducir un grupo de coordenadas celestes a las que se quiera desplazar.
2. Cuando se seleccione el objeto deseado, el mando manual buscará y mostrará la estrella brillante más cercana al objeto deseado. Pulse ENTER para desplazarse a la estrella brillante de alineación.
3. Use los botones de dirección para centrar cuidadosamente la estrella de alineación en el ocular.
4. Pulse ENTER para desplazarse al objeto deseado.

Árbol del menú principal del Advanced VX



Árbol del menú principal del Advanced VX



Montaje del tubo óptico

Según el kit de telescopio adquirido, puede haber recibido uno de los siguientes tubos ópticos. Esta sección del manual le llevará por la instalación de los tipos básicos.

Kit #	22020	32054	32062	12031
Diseño óptico	Refractor	Newtoniano	Newtoniano	Edge HD
Diámetro	6" (150mm)	6" (150mm)	8" (200mm)	8" (203mm)
Distancia focal	1200mm f/8	750mm f/5	1000mm f/5	2032mm f/10
Ocular	20mm (60x) - 1.25" (3.1 cm)	20mm (38x) - 1.25" (3.1 cm)	20mm (50x) - 1.25" (3.1 cm)	40mm (51x) - 1.25" (3.1 cm)
Localizador	9x50	6x30	9x50	9x50
Diagonal estelar	90° - 1.25" (228,5 cm- 3,1 cm)	-	-	90° - 1.25" (228,5 cm- 3,1 cm)
Soporte	Advanced VX	Advanced VX	Advanced VX	Advanced VX
Trípode	Acero inoxidable de 2" (5 cm)	Acero inoxidable de 2" (5 cm)	Acero inoxidable de 2" (5 cm)	Acero inoxidable de 2" (5 cm)
Contrapeso	2x 12 lb	1x 12 lb	2x 12 lb	1x 12 lb
Longitud de tubo	51" (128 cm)	27" (69 cm)	27" (69 cm)	17" (43 cm)
Peso del tubo	19 lb (8,6 Kg)	10 lb (4,5 Kg)	14 lb (6,3 Kg)	13 lb (5,8 Kg)

Kit #	12025	12079	12026	12046
Diseño óptico	Schmidt-Cassegrain	Schmidt-Cassegrain	Schmidt-Cassegrain	Schmidt-Cassegrain
Diámetro	5" (125mm)	6" (150mm)	8" (203mm)	9-1/4" (235mm)
Distancia focal	1250mm f/10	1500mm f/10	2032mm f/10	2350mm f/10
Ocular	25mm (50x) - 1.25"	20mm (75x) - 1.25"	25mm (81x) - 1.25"	25mm (94x) - 1.25"
Localizador	6x30	6x30	6x30	6x30
Diagonal estelar	90° - 1.25" (228,5 cm- 3,1 cm)	90° - 1.25" (228,5 cm- 3,1 cm)	90° - 1.25" (228,5 cm- 3,1 cm)	90° - 1.25" (228,5 cm- 3,1 cm)
Soporte	Advanced VX	Advanced VX	Advanced VX	Advanced VX
Trípode	Acero inoxidable de 2" (5 cm)	Acero inoxidable de 2" (5 cm)	Acero inoxidable de 2" (5 cm)	Acero inoxidable de 2" (5 cm)
Contrapeso	1x 12 lb (5,5 Kg)	1x 12 lb (5,5 Kg)	1x 12 lb (5,5 Kg)	2x 12 lb (5,5 Kg)
Longitud de tubo	13" (33 cm)	16" (40 cm)	17" (43 cm)	22" (56 cm)
Peso del tubo	10 lb (4,5 Kg)	10 lb (4,5 Kg)	12 lb (5,5 Kg)	21 lb (9,5 Kg)

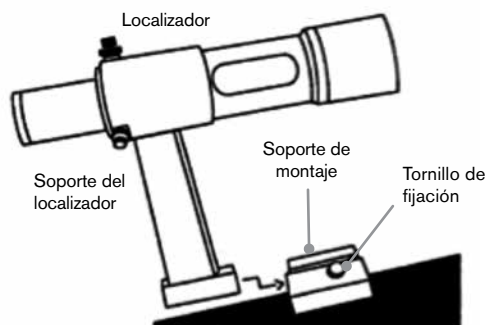
Kit #	12067
Diseño óptico	Schmidt-Cassegrain
Diámetro	11" (280mm)
Distancia focal	2800mm f/10
Ocular	40mm (70x) - 1.25"
Localizador	9x50
Diagonal estelar	90° - 1.25" (228,5 cm- 3,1 cm)
Soporte	Advanced VX
Trípode	Acero inoxidable de 2" (5 cm)
Contrapeso	3x 12 lb (5,5 Kg)
Longitud de tubo	24" (61 cm)
Peso del tubo	28 lb (12,7 Kg)

Instalar el refractor (#21020)

Instalar el localizador

Para instalar el localizador en el telescopio, debe montar primero el localizador por el soporte del localizador y luego fijarlo al telescopio. Hacia la zona posterior del tubo del telescopio, cerca de la estructura de enfoque, existe un pequeño soporte con un tornillo de ajuste en él. Aquí es donde se montará el soporte del localizador. Para instalar el localizador:

1. Deslice la arandela de goma sobre el extremo del ocular del localizador y gírela hasta 2/3 del localizador.
2. Introduzca el extremo del ocular del localizador por el soporte hasta que la arandela presione con firmeza entre el localizador y el interior del soporte.

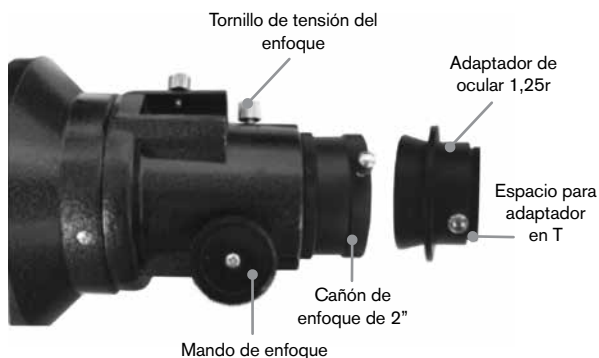


3. Apriete los tornillos de ajuste hasta que entren en contacto con el chasis del localizador.
4. Localice el soporte de montaje cerca del extremo posterior (abierto) del telescopio.
5. Afloje el tornillo de fijación del soporte de montaje del telescopio.
6. Deslice el soporte del localizador (fijado al localizador) en el soporte de montaje del telescopio.
7. El soporte del localizador se deslizará desde detrás. El localizador debe orientarse de forma que la lente del objetivo mire hacia la parte anterior (abierta) del telescopio.
8. Apriete el tornillo de fijación del soporte de montaje para aguantar el localizador en su lugar.

Instalación de los oculares

El ocular es el elemento óptico que amplía la imagen enfocada por el telescopio. Sin el ocular sería imposible usar el telescopio visualmente. El ocular encaja directamente en el enfoque. Para instalar un ocular:

1. Afloje el tornillo de fijación del adaptador del ocular de forma que no obstruya el diámetro interno del cañón.
2. Deslice la sección cromada del ocular en el enfoque.
3. Apriete el tornillo de fijación para aguantar el ocular en su lugar.



Para sacar el ocular, afloje el tornillo de fijación del enfoque y saque el ocular. Puede sustituirlo por otro ocular.

Los oculares se indican habitualmente por la longitud focal y el diámetro del cañón. La longitud focal de cada ocular está impresa en el cañón del ocular. Cuanto mayor sea la longitud focal (es decir, cuando mayor sea el número) menor será el aumento del ocular (es decir, potencia). Cuanto menor sea la longitud focal (es decir, cuando menor sea el número) mayor será el aumento del ocular. En general usará una potencia entre baja y moderada al observar.

Su telescopio de refracción puede usar oculares con diámetros de cañón de 1,25" y 2". Para usar un ocular con cañón de 2", debe sacarse primero el adaptador del ocular de 1,25". Para hacerlo, afloje los dos tornillos cromados situados alrededor del cañón de enfoque y saque el adaptador de 1 1/4". Cuando se haya sacado, puede introducir un ocular de 2" o accesorio directamente en el cañón de enfoque y asegurarse con los dos tornillos.

Su telescopio incluye una diagonal estelar de 1,25". Esta diagonal puede introducirse en el extremo del adaptador de 1,25" que permite usar el ocular de 1,25" en un ángulo más cómodo al observar cerca del cenit.

Instalar el reflector Newtoniano

(#32054 y #32062)

Instalar el localizador

Para instalar el localizador en el telescopio, debe montar primero el localizador por el soporte del localizador y luego fijarlo al telescopio. Hacia la zona anterior del tubo del telescopio, cerca de la estructura de enfoque, existe un pequeño soporte con un tornillo de ajuste en él. Aquí es donde se montará el soporte del localizador. Para instalar el localizador:

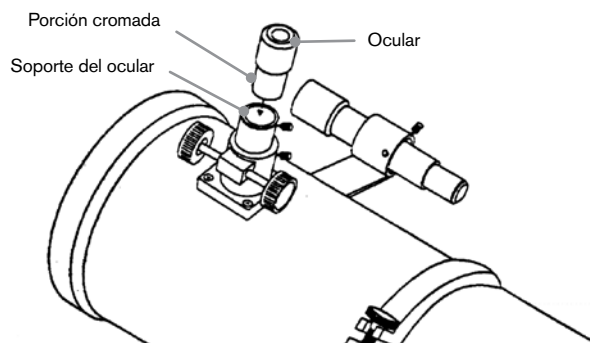
1. Deslice la arandela de goma sobre el extremo del ocular del localizador y gírela hasta 2/3 del localizador.
2. Introduzca el extremo del ocular del localizador por el soporte hasta que la arandela presione con firmeza entre el localizador y el interior del soporte.

3. Apriete los tornillos de ajuste hasta que entren en contacto con el chasis del localizador.
4. Localice el soporte de montaje cerca del extremo anterior (abierto) del telescopio.
5. Afloje el tornillo de fijación del soporte de montaje del telescopio.
6. Deslice el soporte del localizador (fijado al localizador) en el soporte de montaje del telescopio.
7. El soporte del localizador se deslizará desde detrás. El localizador debe orientarse de forma que la lente del objetivo mire hacia la parte anterior (abierta) del telescopio.
8. Apriete el tornillo de fijación del soporte de montaje para aguantar el localizador en su lugar.

Instalación de los oculares

El ocular es el elemento óptico que amplía la imagen enfocada por el telescopio. Sin el ocular sería imposible usar el telescopio visualmente. El ocular encaja directamente en el soporte del ocular. Para instalar un ocular:

1. Afloje el tornillo de fijación del soporte del ocular de forma que no obstruya el diámetro interno del soporte.
2. Deslice la sección cromada del ocular en el soporte del ocular.
3. Apriete el tornillo de fijación para aguantar el ocular en su lugar.



Para sacar el ocular, afloje el tornillo de fijación del soporte del ocular y saque el ocular. Puede sustituirlo por otro ocular. Los oculares se indican habitualmente por la longitud focal, impresa en el cañón del ocular. Cuanto mayor sea la longitud focal (es decir, cuando mayor sea el número) menor será el aumento del ocular. Cuanto menor sea la longitud focal (es decir, cuando menor sea el número) mayor será el aumento del ocular. En general usará una potencia entre baja y moderada al observar.

Si tiene el tubo óptico newtoniano de 8" (#32062), su telescopio puede usar oculares con diámetros de cañón de 1,25" y 2". Para usar un ocular con cañón de 2", debe sacarse primero el adaptador del ocular de 1,25" y sustituirse por el adaptador del ocular de 2". Para hacerlo, afloje los dos tornillos cromados situados alrededor del cañón de enfoque y saque el adaptador de 1,25". Cuando se haya

sacado, puede introducir un adaptador de ocular de 2" directamente en el cañón de enfoque y asegurarse con los dos tornillos.

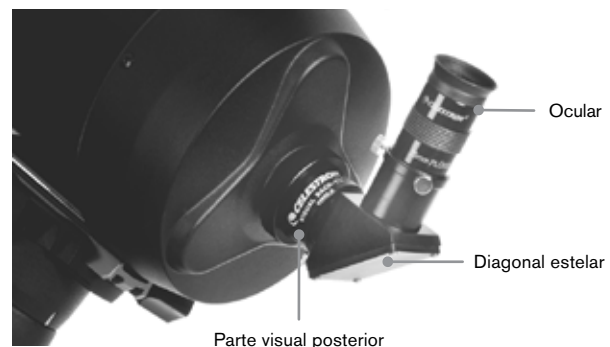
Instalar los tubos ópticos EdgeHD y

Schmidt-Cassegrain (#12031, #12079, #12025, #12026, #12046 y #12067)

Instalar la diagonal estelar

La diagonal es un prisma que desvía la luz en ángulo recto respecto a la ruta de la luz del telescopio. De este modo puede observar en posiciones más cómodas que si tuviera que mirar directamente. Para fijar la diagonal estelar al tubo óptico:

1. Gire el tornillo de fijación en la parte visual posterior hasta que la punta deje de introducirse (es decir, obstruya) el diámetro interno de la parte visual posterior.
2. Deslice la sección cromada de la diagonal estelar en la parte visual posterior.
3. Apriete el tornillo de fijación de la parte visual posterior para aguantar la diagonal estelar en su lugar.



Si quiere cambiar la orientación de la diagonal estelar, afloje el tornillo de fijación de la parte visual posterior hasta que la diagonal estelar gire libremente. Gire la diagonal hasta la posición deseada y apriete el tornillo de fijación.

Instalación del ocular

El ocular es el elemento óptico que amplía la imagen enfocada por el telescopio. El ocular encaja o bien directamente en la parte visual posterior o en la diagonal estelar. Para instalar un ocular:

1. Afloje el tornillo de la diagonal estelar de forma que la punta no entre en el diámetro interno del extremo del ocular de la diagonal.
2. Deslice la sección cromada del ocular en la diagonal estelar.
3. Apriete el tornillo de fijación de la diagonal estelar para aguantar el ocular en su lugar.

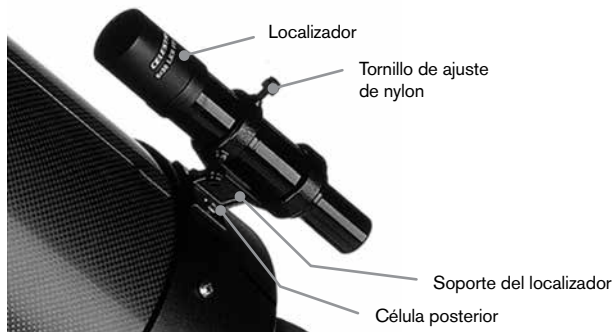
Para sacar el ocular, afloje el tornillo de fijación de la diagonal estelar y saque el ocular. Puede sustituirlo por otro ocular (vendido independientemente).

Los oculares se indican habitualmente por la longitud focal y el diámetro del cañón. La longitud focal de cada ocular está impresa en el cañón del ocular. Cuanto mayor sea la longitud focal (es decir, cuando mayor sea el número) menor será el aumento del ocular. Cuanto menor sea la longitud focal (es decir, cuando menor sea el número) mayor será el aumento del ocular. En general usará una potencia entre baja y moderada al observar. Para más información sobre la determinación de la potencia, consulte la sección "Calcular el aumento."

Instalar el localizador 6x30

Los telescopios Schmidt Cassegrain de 5", 6", 8" y 9-1/4" incluyen localizadores 6x30 usados para ayudarle a localizar y centrar objetos en el campo de su telescopio. Para conseguirlo, el localizador tiene una retícula de apuntado integrada que muestra el centro óptico del localizador. Para instalar el localizador:

1. Fije el soporte al tubo óptico. Para hacerlo, coloque la sección curva del soporte con la ranura sobre los dos agujeros en la célula posterior. El soporte debe orientarse de forma que las arandelas que aguantan el localizador se encuentren sobre el tubo del telescopio, no la célula posterior. Comience a pasar los tornillos manualmente y apriételos por completo con un destornillador.



2. Pase parcialmente los tres tornillos de nylon que aguantan el localizador en posición dentro del soporte. Apriete los tornillos hasta que los cabezales de nylon estén ajustados al diámetro interno de la arandela del soporte. NO los pase por completo, o interferirán con la colocación del localizador. (Tener los tornillos en posición con el localizador instalado será más sencillo que intentar introducir los tornillos después de instalar el localizador.)
3. Deslice la arandela de goma sobre el extremo posterior del localizador (NO encajará por el extremo del objetivo del localizador). Puede tener que estirarse un poco. Cuando esté sobre el chasis principal del localizador, deslícelo a aproximadamente una pulgada del extremo del localizador.
4. Gire el localizador hasta que el punto de mira esté paralelo al eje R.A. y el otro esté paralelo al eje DEC.
5. Deslice el extremo del ocular del localizador en la parte anterior del soporte.
6. Apriete ligeramente los tres tornillos de nylon en la arandela anterior del soporte para aguantar el localizador en posición.

7. Cuando esté colocado, empuje el localizador atrás hasta que la arandela esté ajustada dentro de la arandela posterior del soporte del localizador.
8. Apriete manualmente los tres tornillos con cabezal de nylon hasta que quede ajustado.

Instalar el localizador 9x50

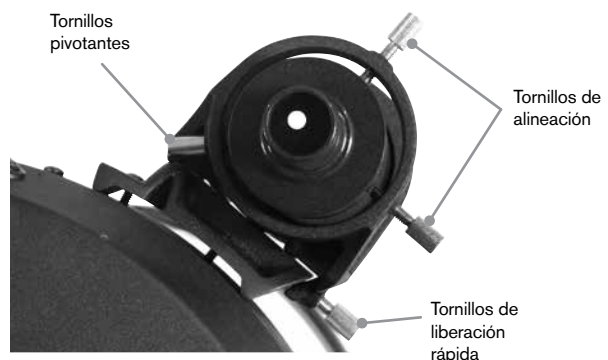
Los telescopios EdgeHD de 8" y Schmidt-Cassegrain de 11" incluyen localizadores 9x50 usados para ayudarle a localizar y centrar objetos en el campo de su telescopio. Para conseguirlo, el localizador tiene una retícula de apuntado integrada que muestra el centro óptico del localizador. El localizador debe montarse en el soporte de liberación rápida incluido y fijarse a la célula posterior del telescopio. Para instalar el localizador:

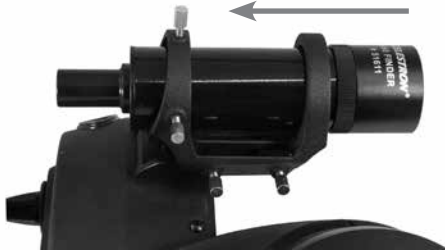
1. Deslice el soporte de montaje del localizador fijado a la sección inferior del soporte del localizador. Afloje los dos tornillos para deslizar el soporte de montaje desde el soporte del localizador.
2. Localice los dos agujeros en la célula posterior del telescopio en la zona superior izquierda, cuando mire por la parte posterior del tubo.
3. Coloque el soporte de montaje sobre los dos agujeros de la célula posterior del tubo óptico.
4. Introduzca los tornillos por el soporte y en la célula posterior.

ATENCIÓN: Si saca el soporte de montaje, no pase por completo los tornillos de nuevo en la célula posterior del telescopio. Los tornillos pueden ser lo suficientemente largos para obstruir el movimiento de, y posiblemente dañar, el espejo principal.

Con el soporte firmemente fijado al telescopio, está listo para fijar el localizador al soporte.

1. Deslice la arandela sobre el extremo posterior del localizador y colóquelo en el tubo hacia el extremo del objetivo del localizador.
2. Deslice el extremo del ocular del localizador en la arandela anterior del soporte (la arandela anterior es la que no tiene tornillos de ajuste), y luego por la arandela posterior. Puede ser necesario empujar abajo el tornillo pivotante con carga de muelle de forma que el localizador pase por la arandela posterior.
3. Empuje el localizador atrás hasta que la arandela esté ajustada dentro de la arandela anterior del soporte del localizador.
4. Apriete los dos tornillos de alineación a mano hasta que entren en contacto con el localizador.





Alinear el localizador

El localizador se ajusta con dos tornillos de ajuste, situado en la parte superior y a la derecha (al mirar por el localizador) del soporte del localizador y un tornillo pivotante con carga de muelle (situado a la izquierda del soporte). Esto permite girar el tornillo de ajuste superior para mover el localizador arriba y abajo, y girar el tornillo de ajuste derecho para mover el localizador a derecha e izquierda. El tornillo pivotante con carga de muelle aplica una presión constante en el localizador de forma que los tornillos de ajuste estén siempre en contacto con el localizador.

Para facilitar el proceso de alineación, debería realizar esta tarea de día, cuando es más sencillo localizar objetos en el telescopio sin el localizador. Para alinear el localizador:

1. Elija un objeto evidente a más de una milla de distancia. Así eliminará cualquier posible efecto de paralaje entre el telescopio y el localizador.
2. Apunte el telescopio al objeto seleccionado y céntralo en la óptica principal del telescopio.
3. Bloquee las abrazaderas de azimut y altitud para aguantar el telescopio en posición.
4. Compruebe el localizador para ver si el objeto se encuentra en el campo de visión.
5. Ajuste los tornillos del soporte del localizador hasta que el punto de mira esté centrado en el objetivo.

Sacar la tapa de la lente

Los telescopios EdgeHD y Schmidt-Cassegrain usan una tapa de lente con mecanismo de bloqueo de bayoneta para mantenerla en posición. Para sacar la tapa de la lente, aguante con firmeza la tapa y gire el borde externo 1/2" a la izquierda y sáquela.

Alineación polar del soporte

Escalas de latitud

La forma más sencilla de alineación polar de un telescopio es con una escala de latitud. A diferencia de otros métodos que requieren que encuentre el polo celeste identificando ciertas estrellas cercanas a él, este método funciona como una constante conocida para determinar la altura a la que se debería apuntar el eje polar. El soporte Advanced VX puede ajustarse entre 7 y 77 grados.

La constante, mencionada anteriormente, es una relación entre su latitud y la distancia angular a la que está el polo celeste sobre el horizonte norte (o sur); la distancia angular desde el horizonte norte al polo celeste norte siempre es igual a su latitud. Para ilustrarlo, imagine que está en el Polo Norte, latitud $+90^\circ$ del polo celeste norte, que tiene una declinación de $+90^\circ$ estaría directamente encima (es decir, 90° sobre el horizonte). Digamos que se mueve un grado al sur – su latitud es ahora $+89^\circ$ y el polo celeste ya no está directamente encima. Se ha movido un grado más cerca del horizonte norte. Significa que el polo está ahora a 89° sobre el horizonte norte. Si se mueve otro grado al sur, sucederá lo mismo. Tendría que trasladarse 70 millas a norte o sur para cambiar su latitud un grado. Como puede ver en este ejemplo, la distancia desde el horizonte norte al polo celeste es siempre igual a su latitud.



Si está observando desde Los Angeles, que tiene una latitud de 34° , el polo celeste estará a 34° sobre el horizonte norte. Todo lo que hace una escala de latitud es indicar el eje polar del telescopio con la elevación correcta sobre el horizonte norte (o sur). Para alinear el telescopio:

1. Asegúrese de que el eje polar del soporte apunte al norte. Use un elemento del paisaje que sepa que esté al norte.
2. Nivele el trípode. Tiene un nivel de burbuja integrado en el soporte para tal fin.
3. Ajuste el soporte en altitud hasta que el indicador de latitud apunte a su latitud. Mover el soporte afecta al ángulo al que apunta el eje polar. Para obtener información concreta sobre el ajuste del soporte ecuatorial, consulte la sección "Ajustar el soporte."

Este método puede hacerse de día, eliminando la necesidad de intentarlo de noche. Aunque este método **NO** le pondrá directamente en el polo, limitará el número de

correcciones que realizará al realizar el seguimiento de un objeto. También será lo suficientemente preciso para fotografías planetarias de enfoque primario de corta exposición (un par de segundos) y fotografía astronómica de seguimiento de corta exposición (un par de minutos).

Alineación polar usando el mando manual

El soporte Advanced VX tiene una función de alineación polar llamada Alineación polar “todas las estrellas” que le ayudará a alinear con el polo su telescopio para una mayor precisión de seguimiento y para fotografía astronómica. Esta función permite elegir cualquier estrella de alineación brillante para ayudar a alinear con precisión el soporte de su telescopio con el polo celeste norte. Antes de usar la función de alineación polar, el telescopio debe estar apuntado aproximadamente al norte y debe alinearse con tres estrellas en el firmamento. Consulte la sección “Escala de latitud” para obtener ayuda con la localización del norte y ajuste de la latitud del soporte.

Cuando el telescopio esté alineado con dos estrellas y al menos una estrella de calibración adicional, desplace el telescopio a cualquier estrella brillante en su lista de estrellas con nombre de la base de datos. Para obtener los mejores resultados, elija una estrella de alineación polar que esté alta en el firmamento y cerca del meridiano. Pruebe a evitar estrellas que estén cerca del horizonte oeste/ este, directamente encima o demasiado cerca del polo celeste. Una vez completado, pulse el botón Alineación y use los botones arriba/ abajo en el mando manual para seleccionar la alineación polar de la lista.

Alinear soporte – Tras realizar una alineación de dos estrellas con una estrella de calibración desplazando su telescopio a cualquier estrella brillante de la base de datos del telescopio, seleccione la opción “Alinear soporte”. El telescopio se alejará y volverá a la misma estrella.

1. El mando manual le solicitará que vuelva a centrar el localizador y pulse ENTER.
2. El mando manual le solicitará que centre con precisión la estrella en el ocular y pulse ALINEAR. El telescopio “sincronizará” con esta estrella y se desplazará a la posición en la que debería estar la estrella si tuviera una alineación polar precisa.

Nota: Para obtener la alineación más precisa, es mejor usar un ocular con retícula o un ocular de alta potencia para centrar con precisión la estrella en el campo de visión.

3. Use los ajustes de latitud y azimut del soporte para colocar la estrella en el centro del ocular. No use los botones de dirección del mando manual para posicionar la estrella. Cuando la estrella esté centrada en el ocular, pulse ENTER; el eje polar debería estar orientado al polo celeste norte.

Actualizar su alineación estelar

Tras la alineación polar, es buena idea comprobar la precisión de apuntado del telescopio para ver cuánto puede haber afectado mover el soporte. Como el proceso de alin-

eación polar precisa de “sincronice” el telescopio con una estrella brillante antes de comenzar, será necesario desmontar la sincronización antes de volver a alinear. Para anular la sincronización:

- Pulse el botón Alineación y use los botones arriba/ abajo en el mando manual para seleccionar Anular sincronización de la lista y pulse Enter. Se mostrará el mensaje Completado en el LCD.

Para volver a alinear el telescopio:

1. Desplace el telescopio a una de las estrellas de alineación originales u otra estrella brillante si las originales ya no están en un lugar práctico. Pulse el botón Alineación y use los botones arriba/ abajo en el mando manual para seleccionar estrellas de alineación de la lista.
2. El mando manual le solicitará las estrellas de alineamiento originales que quiera sustituir. Use las teclas arriba/ abajo para seleccionar la estrella deseada y pulse Enter.
3. De nuevo, centre la estrella en el localizador y pulse Enter.
4. Centre la estrella en el ocular y pulse Alinear.
5. Repita el proceso para una segunda estrella de alineación.

Para una mayor precisión de apuntado en todo el firmamento, es buena idea alinear al menos una estrella de calibración adicional situada en el lado opuesto del meridiano. Para añadir estrellas de calibración:

1. Desplace el telescopio a una estrella brillante en el lado opuesto del meridiano respecto a sus dos estrellas de alineación.
2. Pulse el botón Alinear y use los botones arriba/ abajo en el mando manual para seleccionar estrellas de calibración de la lista, y pulse Enter.
3. Alinee la estrella en el localizador y luego en el ocular como lo hizo con las estrellas de alineación.

Mostrar alineación – el usuario puede mostrar el error de alineación polar en los ejes RA y DEC. Estos valores muestran lo cerca que está apuntado el soporte con la base del polo celeste según la precisión de centrado del usuario de la estrella de alineación con el mando manual y con el ajuste del soporte. Para mostrar el error de alineación:

- Pulse el botón Alinear y use los botones arriba/abajo en el mando manual para seleccionar Mostrar alineación de la lista y pulse Enter.

Fotografía de enfoque primario de larga exposición

Es la última forma de fotografía celeste que debe intentarse tras dominar otras. Está pensada principalmente para objetos del espacio profundo, es decir, objetos fuera de nuestro sistema solar, incluyendo cúmulos, nebulosas y galaxias. Cuando puede parecer que es necesario un aumento elevado para estos objetos, lo opuesto es el caso. La mayoría de estos objetos cubren grandes zonas angulares y encajan bien en el campo de enfoque primario

de su telescopio. El brillo de estos objetos, sin embargo, precisa de tiempos de exposición largos y, como resultado, son bastante difíciles.

Existen diversas técnicas para este tipo de fotografía, y la elegida determinará los accesorios necesarios. El mejor método para fotografía astronómica de espacio profundo de larga exposición es con una guía opcional de desvío de eje. Este dispositivo permite fotografiar y guiar por el telescopio simultáneamente. Además, necesitará una arandela en T para fijar la cámara a una guía opcional de desvío de eje.

Otras necesidades de equipo incluyen una autoguía, que es una cámara pequeña que se fija a la guía radial y mantiene la estrella de guía centrada mientras toma fotografías con su cámara principal. Aquí tiene un breve resumen de la técnica.

1. Alinee el telescopio con el polo. Para más información sobre alineación polar, consulte la sección Alineación Polar anteriormente en el manual.
2. Saque todos los accesorios visuales.
3. Pase la guía radial sobre el telescopio.
4. Enrosque la arandela en T en la guía radial.
5. Monte el chasis de la cámara sobre la arandela en T igual que lo haría con otra lente.
6. Establezca la velocidad del obturador en posición "B".
7. Enfoque una estrella con el telescopio.
8. Centre el objetivo en el campo de su cámara.
9. Usando la autoguía, localice una estrella de guía adecuada en el campo del telescopio. Ésta puede ser la parte que tome más tiempo del proceso.
10. Abra el obturador con un disparador de cable.
11. Monitoree la estrella de guía durante toda la exposición usando los botones del mando manual para realizar las correcciones necesarias.
12. Cierre el obturador de la cámara.

Corrección de error periódico (PEC)

La corrección de error periódico, abreviado PEC, es un sistema que mejora la precisión de seguimiento del motor reduciendo el número de correcciones del usuario necesarias para mantener una estrella de guía centrada en el ocular. El PEC está diseñado para mejorar la calidad de imagen reduciendo la amplitud de los errores. Usar la función PEC es un proceso de tres fases. Primero, el soporte Advanced VX necesita conocer la posición actual de su engranaje, de forma que tenga una referencia cuando reproduzca el error registrado. Luego debe guiar con una autoguía durante al menos 10 minutos, y durante ese tiempo el sistema registrará la corrección realizada. (El engranaje tarda 10 minutos en realizar una revolución completa). Esto "enseña" al chip PEC las características del engranaje. El error periódico del motor del engranaje se guardará en el chip PEC y se usa para corregir el error periódico. El último paso es reproducir las correcciones

realizadas durante la fase de registro. Tenga en cuenta que esta función sirve para fotografía astronómica avanzada y precisa de un guiado cuidadoso, ya que todos los motores del telescopio tienen cierto error periódico.

Uso de la corrección de error periódico

Cuando el telescopio se haya alineado con el polo correctamente, seleccione PEC en el menú Utilidades y seleccione la opción Registro. Aquí se explica el uso de la función PEC:

1. Localice una estrella brillante relativamente cerca del objeto que quiera fotografiar.
 2. Introduzca la autoguía en el soporte del ocular de su telescopio. Oriente la guía de forma que un eje del sensor esté paralelo al eje de declinación mientras el otro sea paralelo al eje R.A.
 3. Enfoque el telescopio y estudie el movimiento periódico.
 4. Conecte el cable de autoguía en el puerto de autoguía del panel electrónico del soporte.
 5. Para comenzar a registrar el error periódico del motor, pulse el botón MENÚ y seleccione PEC del menú Utilidades. Use los botones de desplazamiento arriba/abajo mostrar la opción Registro y pulse ENTER. Cuando esté listo para registrarlo, pulse el botón ENTER de nuevo para comenzar. Tendrá 5 segundos antes de que el sistema comience a registrar. La primera vez de cada sesión de observación que se seleccione el registro o reproducción del PEC, el engranaje debe girar para marcar su posición inicial. Si la rotación del engranaje mueve la estrella de guía fuera del campo de visión del ocular, deberá volver a centrarse antes de iniciar la grabación.
- Nota:** Cuando el engranaje esté indexado, no será necesario posicionarse de nuevo hasta que el telescopio se apague. Para tener más tiempo para prepararse para la guía, puede ser necesario reiniciar la grabación PEC cuando el engranaje haya encontrado su índice.
6. Pasados 10 minutos, el PEC dejará de grabar automáticamente.
 7. Apunte el telescopio al objeto que quiera fotografiar y centre la estrella guía en el punto de mira iluminado. Ahora puede reproducir la corrección de error periódico.
 8. Cuando se haya registrado el error periódico del motor, use la función de reproducción para iniciar la reproducción de la corrección para guía de fotografía en el futuro. Si quiere volver a registrar el error periódico, seleccione Registro y repita el proceso de grabación. La información grabada previamente será sustituida por la nueva. Repita los pasos 7 y 8 para reproducir las correcciones PEC para su siguiente objeto.

¿Permite la función PEC la fotografía astronómica sin guía? Sí y no. Para solar (filtrada), lunar y seguimiento (hasta 200 mm), la respuesta es sí. Sin embargo, incluso con PEC, la autoguía es obligatoria para fotografía astronómica de larga exposición del espacio profundo.

Apéndice A – Especificaciones técnicas del soporte Advanced VX

Capacidad de carga (excluyendo el contrapeso)	30 lb (13.5 kg)
Sistema de montaje de tubo óptico	Plancha de silla doble
Mando manual informatizado	Mando manual NexStar+ con pantalla LCD, 19 botones LED iluminados de fibra óptica
Base de datos	40000+ objetos, 100 objetos programables definidos por el usuario. Información mejorada de más de 200 objetos
Velocidades de desplazamiento	Nueve velocidades de desplazamiento, máximo 4 grados/s
Modos de seguimiento	EQ Norte, EQ Sur, Apagado
Velocidades de seguimiento	Sideral, Lunar, Solar
Procedimientos de alineación	Alineación de 2 estrellas, Alineación rápida, Alineación de 1 estrella, Última alineación, Alineación de sistema solar
Tipo de motor	Servomotores CC con codificadores en ambos ejes de rueda dentada baja
Requisitos de alimentación	12V CC 3,5A (punta positiva)
Rango de latitud	7 grados a 77 grados
PEC	Sí, permanentemente programable
GPS	Accesorio GPS SkySync opcional
Compensación de retroceso	Sí
Reloj en tiempo real interno	Sí
Puertos disponibles	2x puertos AUX, puerto de autoguía, puerto RS-232 (en mando manual)
Círculos de configuración	No
Localizador de eje polar	Opcional
Longitud de eje de contrapeso	12" (30,5 cm)
Diámetro de eje de contrapeso	0.75" (1,9 cm)
Tripode	Ajustable, acero inoxidable
Diámetro de tapa de trípode	2.0" (5 cm)
Alcance de altura del soporte	44" a 64" (111 a 162 cm)
Peso del trípode	18 lb (8 kg)
Peso del cabezal EQ	17 lb (7,7 kg)
Peso del contrapeso	1 x 12 lb (1x 5,5 kg)
Peso total del kit de telescopio	47 lb (21,3 kg)

Garantía limitada por dos años de Celestron

A. Celestron garantiza su producto está libre de defectos de materiales y mano de obra durante dos años. Celestron reparará o sustituirá el producto o pieza del mismo que, al ser inspeccionado por Celestron, muestre defectos de materiales o mano de obra. Como condición de la obligación de Celestron de reparar o sustituir dicho producto, el producto debe ser devuelto a Celestron junto con una prueba de compra que resulte satisfactoria para Celestron.

B. Debe obtenerse el Número de autorización de retorno adecuado de Celestron antes de la devolución. Envíe su solicitud al centro de soporte técnico en línea de Celestron en <https://www.celestron.com/pages/technical-support> para recibir el número que se mostrará en el exterior de su contenedor de envío.

Cualquier devolución debe ir acompañada de una declaración por escrito en la que conste el nombre, dirección y número de teléfono de contacto durante el día del propietario, junto con una breve descripción de cualquier defecto reclamado. Las piezas o productos sustituidos pasarán a ser propiedad de Celestron.

El cliente será responsable de cualquier coste de transporte y seguros, tanto hacia como desde la fábrica de Celestron, y deberá cubrir dichos costes.

Celestron realizará todos los esfuerzos razonables para reparar o sustituir cualquier producto cubierto por esta garantía en los treinta días siguientes a su recepción. En caso de que la reparación o sustitución precise de más de treinta días, Celestron se lo notificará al cliente. Celestron se reserve el derecho de sustituir cualquier producto que haya sido dejado de fabricar por un nuevo producto de valor y función comparables.

Esta garantía será nula y sin efecto en caso de que un producto cubierto haya sido modificado en su diseño o función, o sometido a abuso, mal uso, mala manipulación o reparación no autorizada. Además, las averías o deterioro del producto por desgaste normal no están cubiertos por esta garantía.

CELESTRON NO ACEPTA GARANTÍAS, EXPLÍCITAS O IMPLÍCITAS, DE COMERCIABILIDAD O ADECUACIÓN PARA UN USO CONCRETO, EXCEPTO DEL MODO QUE AQUÍ SE ESTABLECE. LA ÚNICA OBLIGACIÓN DE CELESTRON SEGÚN ESTA GARANTÍA LIMITADA SERÁ REPARAR O SUSTITUIR EL PRODUCTO CUBIERTO, DE ACUERDO CON LOS TÉRMINOS AQUÍ ESTABLECIDOS. CELESTRON RECHAZA EXPLÍCITAMENTE CUALQUIER PÉRDIDA DE BENEFICIOS, DAÑOS GENERALES, ESPECIALES, INDIRECTOS O CONSIGUIENTES QUE PUEDAN RESULTAR DE LA VIOLACIÓN DE CUALQUIER GARANTÍA, O QUE SURJAN DEL USO O INCAPACIDAD DE USAR CUALQUIER PRODUCTO CELESTRON. CUALQUIER GARANTÍA IMPLÍCITA Y QUE NO PUEDA RECHAZARSE SERÁ LIMITADA EN SU DURACIÓN A DOS AÑOS DESDE LA FECHA DE COMPRA ORIGINAL.

Algunos estados no permiten la exclusión o limitación de datos incidentales o consiguientes, ni permiten limitar el tiempo que dura una garantía implícita, por lo que las limitaciones indicadas o exclusiones pueden no ser aplicables.

Esta garantía le ofrece derechos legales específicos, y puede tener otros derechos, que varían según el estado. Celestron se reserva el derecho de modificar o cesar, sin previo aviso, cualquier modelo o estilo de producto. Si surgen problemas de garantía o necesita asistencia al usar su producto, visite el centro de soporte técnico en línea de Celestron en <https://www.celestron.com/pages/technical-support>.

NOTA: Esta garantía tiene validez para clientes de EE.UU. y Canadá que hayan adquirido sus binoculares en un vendedor autorizado de Celestron en EE.UU. y Canadá. La garantía fuera de EE.UU. y Canadá solamente tiene validez para clientes que hayan comprado en un distribuidor internacional de Celestron o un vendedor de Celestron autorizado en el país específico. Contacte con ellos para cualquier servicio de garantía.



Notas FCC: Este equipo ha sido probado y cumple con las limitaciones de los dispositivos digitales de Clase B, según el Apartado 15 de las normas FCC. Estas limitaciones se han diseñado para proporcionar una protección razonable contra interferencias dañinas en una instalación doméstica. Este equipo genera, utiliza y puede emitir energía de radiofrecuencia y, si no se instala y utiliza según las instrucciones, puede provocar interferencias dañinas a las comunicaciones por radio. Sin embargo, no existen garantías de que no se produzcan interferencias en una instalación concreta. Si este equipo crea interferencias perjudiciales para la recepción de radio o televisión, lo que puede determinarse apagando y encendiendo el equipo, se recomienda al usuario intentar corregir las interferencias con una o más de las medidas siguientes:

- Reoriente o recolocque la antena receptora.
- Aumente la separación entre el equipo y el receptor.
- Conecte el equipo a una toma de corriente o circuito distinto de aquél al que esté conectado el receptor.
- Consulte con el vendedor o un técnico de radio/TV experimentado para obtener ayuda.

El diseño y las especificaciones del producto están sujetos a cambios sin notificación previa.

Este producto ha sido diseñado y está pensado para ser usado por personas de 14 años o más de edad.

© 2019 Celestron • Todos los derechos reservados
[celestron.com/pages/technical-support](https://www.celestron.com/pages/technical-support)
2835 Columbia Street • Torrance, CA 90503 EE.UU.
Impreso en China





CELESTRON®

AVX
ADVANCED VX
SERIE

MANUALE D'ISTRUZIONI PER I MODELLI:

#91519- Montatura Advanced VX

#32054- Advanced VX 6" Telescopio Newtoniano

#32062- Advanced VX 8" Telescopio Newtoniano

#22020- Advanced VX 6" Telescopio Rifrattore

#12025- Advanced VX 5" Telescopio Schmidt-Cassegrain

#12079- Advanced VX 6" Telescopio Schmidt-Cassegrain

#12026- Advanced VX 8" Telescopio Schmidt-Cassegrain

#12046- Advanced VX 9.25" Telescopio Schmidt-Cassegrain

#12067- Advanced VX 11" Telescopio Schmidt-Cassegrain

#12031- Advanced VX 8" EdgeHD Telescopio

INDICE

Introduzione	3
Montatura Advanced VX	4
Assemblaggio	5
Controllo manuale computerizzato	10
Catalogo degli oggetti	14
Ruotare verso un oggetto	14
Struttura del menu principale di Advanced VX	21
Gruppi del tubo ottico	23
Configurazione del rifrattore	24
Configurazione del rifrattore Newtoniano	24
Configurazione dei tubi ottici EdgeHD e Schmidt-Cassegrain	25
Allineamento del cercatore di stelle	27
Allineamento dell'asse polare della montatura	27
Appendice A: Specifiche tecniche della montatura Advanced VX	30
Garanzia limitata di due anni Celestron	31

Introduzione

Congratulazioni per aver acquistato la montatura per telescopio Celestron Advanced VX. La montatura equatoriale alla tedesca Advanced VX è stata progettata con i materiali della massima qualità per garantire stabilità e durabilità. Tutto questo va ad aggiungersi a un telescopio che offre una vita di divertimento con una quantità minima di manutenzione.

Inoltre, la montatura Advanced VX è versatile, cresce con l'utente con il crescere del suo interesse per l'osservazione astronomica e per le immagini astrali.

In caso non si sia esperti di astronomia, è possibile iniziare utilizzando la funzionalità Sky Tour integrata, la quale comanda i telescopi per trovare gli oggetti più interessanti nel cielo e ruota automaticamente verso ognuno di essi. In caso si abbia una maggiore esperienza, si può apprezzare il database completo con oltre 40.000 oggetti, compresi elenchi personalizzati di tutti gli oggetti del profondo cielo, luminose stelle doppie e stelle variabili. A prescindere dal livello di esperienza, Advanced VX aiuterà l'utente e i suoi amici a esplorare le meraviglie dell'universo.

Alcune delle caratteristiche di Advanced VX comprendono:

- Motori a coppia elevata per contribuire alla guida senza problemi di carichi più pesanti
- Correzione errore periodico (PEC) permanentemente programmabile per migliorare le prestazioni di tracciatura
- Una porta di guida automatica dedicata per apportare correzioni durante l'acquisizione di immagini astrali
- Manopole di allineamento polari grandi e di facile accesso per movimenti rapidi e sicuri
- Design ergonomico che si smonta in pezzi compatti e portatili
- Limiti di filtro nel database per creare elenchi di oggetti personalizzati
- Memoria per oggetti programmabili definiti dall'utente
- Molte altre funzionalità a elevate prestazioni!

La montatura Advanced VX offre agli astrofili i telescopi più sofisticati e semplici da utilizzare disponibili oggi sul mercato.

Leggere il presente manuale prima di intraprendere il proprio viaggio attraverso l'universo. Potrebbero essere necessario sperimentare qualche sessione di osservazione per acquisire familiarità con il telescopio, pertanto potrebbe essere necessario tenere il presente manuale a portata di mano fino a quando non si sarà diventati esperti con il funzionamento del proprio telescopio. Il controllo manuale presenta istruzioni integrate per guidare l'utente attraverso tutte le procedure di allineamento necessarie per assemblare e mettere in funzione il telescopio in pochi

minuti. Utilizzare il presente manuale assieme alle istruzioni a schermo fornite dal controllo manuale. Il manuale fornisce informazioni dettagliate in merito a ciascuna fase nonché il materiale di riferimento necessario e suggerimenti utili garantiti per rendere l'osservazione il più semplice e piacevole possibile.

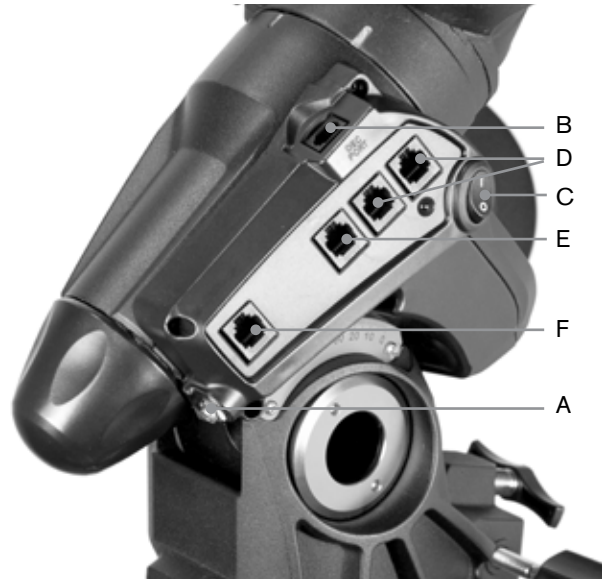
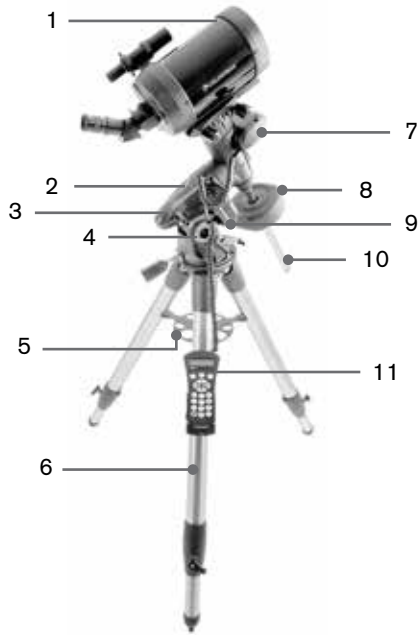
Il telescopio è progettato per offrire molti anni di osservazioni divertenti e interessanti. Tuttavia, vi sono alcune cose da considerare prima di utilizzare il telescopio che garantiranno sicurezza e proteggeranno l'apparecchiatura.



⚠ **Attenzione**

- Non guardare mai direttamente il Sole a occhio nudo o con un telescopio (a meno che non si disponga del corretto filtro solare). Ciò potrebbe comportare danni agli occhi permanenti e irreversibili.
- Mai utilizzare il telescopio per progettare un'immagine del Sole su qualsiasi superficie. L'accumulo di calore interno può danneggiare il telescopio e qualsiasi accessorio a esso collegato.
- Mai utilizzare un filtro solare dell'oculare o un prisma di Herschel. L'accumulo di calore interno al telescopio può causare l'incrinatura o la rottura di questi dispositivi, consentendo alla luce solare non filtrata di passare attraverso l'occhio.
- Mai lasciare il telescopio incustodito. Assicurarsi che un adulto che abbia familiarità con le procedure di funzionamento corrette sia sempre presente con il telescopio, specialmente in presenza di bambini.

Montatura Advanced VX (Raffigurazione di Advanced VX con tubo ottico Schmidt-Cassegrain da 5")



1	Tubo ottico
2	Pannello di controllo
3	Montatura equatoriale Advanced VX
4	Scala di regolazione della latitudine
5	Supporto della gamba centrale del treppiede/ Vassoio porta-accessory
6	Treppiede
7	Alloggiamento del motore Dec
8	Contrappeso
9	Alloggiamento del motore R.A.
10	Barra di contrappeso
11	Controllo manuale

	PANNELLO DI CONTROLLO
A	Porta di alimentazione
B	Porta del motore DEC
C	Interruttore di alimentazione
D	Porte ausiliarie
E	Porta del controllo manuale
F	Porta della guida automatica

Assemblaggio

Questa sezione fornisce le istruzioni di assemblaggio per la montatura Celestron Advanced VX. La montatura deve essere fornita con gli elementi seguenti:

- Testa equatoriale
- Treppiede
- Vassoio porta-accessori
- Barra di contrappeso con dado di bloccaggio
- Viti di regolazione dell'azimuth (x2)
- Controllo manuale
- Supporto del controllo manuale (2 pezzi)
- Cavo del motore di declinazione
- Cavo dell'adattatore di batteria per auto
- Contrappeso

Se si è acquistata la montatura Advanced VX da sola, nella confezione deve essere incluso un contrappeso. Se si è acquistato il kit per telescopio Advanced VX, è possibile ricevere uno o due pesi aggiuntivi, a seconda del tubo ottico incluso nel kit. Questi contrappesi sono confezionati in scatole separate. È possibile trovare maggiori informazioni nella sezione del manuale dedicata all'uso del tubo ottico.

Rimuovere tutti i pezzi dai rispettivi imballaggi interni e posizionarli su un'area di lavoro piana e pulita. Un grande spazio sul pavimento è l'ideale. Al momento della configurazione della montatura Celestron, è necessario iniziare con il treppiede e proseguire da lì. Queste istruzioni sono fornite nell'ordine in cui ciascuna attività deve essere svolta.

Configurazione del treppiede

Il treppiede Advanced VX è dotato di un supporto per la gamba centrale/vassoio porta-accessori interamente in metallo per fornire un supporto solido alla montatura.

Il treppiede è completamente assemblato con una placca metallica, denominata testa del treppiede, che tiene assieme le gambe nella parte superiore. Inoltre, è presente un'asta centrale che si estende verso il basso partendo dalla testa del treppiede che si collega alla montatura equatoriale del treppiede. Per configurare il treppiede:

1. Mettere il treppiede in posizione verticale e tirare le gambe dello stesso verso l'esterno fino a quando non raggiungeranno l'estensione massima. Il treppiede rimarrà ora in piedi da sé.
2. Per regolare l'altezza delle gambe, allentare la leva che si trova sulla parte inferiore di ciascuna gamba ruotandola in senso antiorario.
3. Far scorrere ciascuna gamba alla lunghezza desiderata e fissarla in posizione ruotando le leve in senso orario. Assicurarsi che le leve siano ben chiuse in modo che le gambe non si ritraggano accidentalmente quando si applica del peso al treppiede.

Collegare le manopole di regolazione dell'Azimuth

Per garantire una spedizione sicura della montatura Advanced VX, le manopole di regolazione dell'azimuth sono state rimosse dalla montatura e dovranno pertanto essere collegate in un secondo momento.

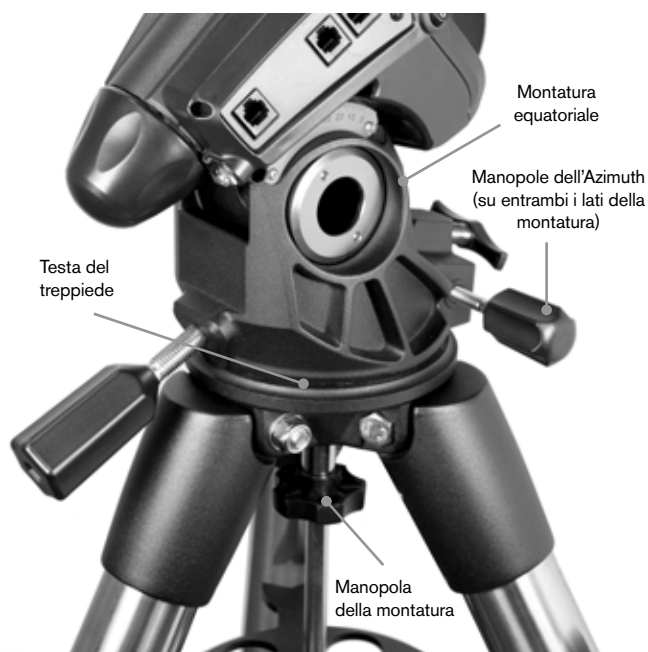
Prima di fissare la montatura al treppiede:

1. Individuare le manopole di regolazione dell'Azimuth nella confezione che contiene la testa equatoriale di Advanced VX.
2. Avvitare una manopola in ciascuno dei fori situati su entrambi i lati della montatura.
3. Avvitare le manopole solamente per metà, lasciando spazio sufficiente per l'allineamento del supporto del treppiede che dovrà inserirsi tra le punte delle due viti.

Collegare la montatura equatoriale

La montatura equatoriale Advanced VX consente di inclinare l'asse di rotazione del telescopio in modo da poter seguire le stelle man mano che si spostano nel cielo. Su un lato della testa del treppiede è situato un perno di allineamento in metallo per l'allineamento della montatura. Questo lato del treppiede sarà rivolto verso nord al momento della configurazione per una sessione di osservazione astronomica. Per collegare la testa equatoriale:

1. Posizionare le viti di regolazione dell'azimuth sulla montatura equatoriale.
2. Ritirare le viti di regolazione dell'azimuth in modo che non si estendano nell'alloggiamento dell'azimuth sulla montatura. **NON rimuovere le viti dal momento che saranno necessarie successivamente per l'allineamento polare.**
3. Tenere la montatura equatoriale sulla testa del treppiede in modo che l'alloggiamento dell'azimuth si trovi sopra il perno metallico.
4. Posizionare la montatura equatoriale sulla testa del treppiede in modo che si trovino a filo.
5. Spingere la manopola situata sull'asta centrale sotto alla testa del treppiede rivolta verso l'alto e ruotarla in senso orario per mantenere la montatura equatoriale saldamente in posizione.



Il treppiede Advanced VX è fornito con il perno di allineamento installato in modo che l'asse polare e la barra di contrappeso si estendano tra le due gambe del treppiede. Se lo si desidera, è possibile riposizionare il perno di allineamento in modo che la barra di contrappeso si estenda direttamente su una gamba del treppiede. Ciò dipende dalle preferenze personali e non compromette la stabilità della montatura. Gli osservatori a latitudini inferiori preferiranno lasciare il perno di allineamento tra le due gambe al fine di evitare che il contrappeso faccia contatto con la gamba del treppiede quando il contrappeso stesso si trova nella parte più bassa della sua oscillazione. Per modificare la posizione del perno di allineamento:



1. Utilizzare una chiave per mantenere il perno di allineamento in posizione, utilizzando un'altra chiave per allentare il dado di bloccaggio sotto al perno di allineamento.
2. Una volta allentato il dado, è possibile svitare il perno di allineamento e spostarlo sul foro filettato sul lato opposto della testa del treppiede.
3. Avvitare il perno fino a quando si ferma, e farlo tornare fuori fino a quando i lati piatti del perno di allineamento non saranno pari al treppiede.
4. Tenere il perno in posizione con una chiave utilizzando un'altra chiave per serrare il dado di bloccaggio alla testa del treppiede.
5. Montare la testa equatoriale secondo la descrizione di cui sopra.

Collegare il vassoio porta-accessori

La montatura Advanced XV è dotata di un vassoio porta-accessori che presenta fori ideate appositamente per oculari da 1,25" e 2". Il vassoio porta-accessori funge anche come tensionatore della gamba del treppiede per aggiungere stabilità alla montatura. Per installare il vassoio:

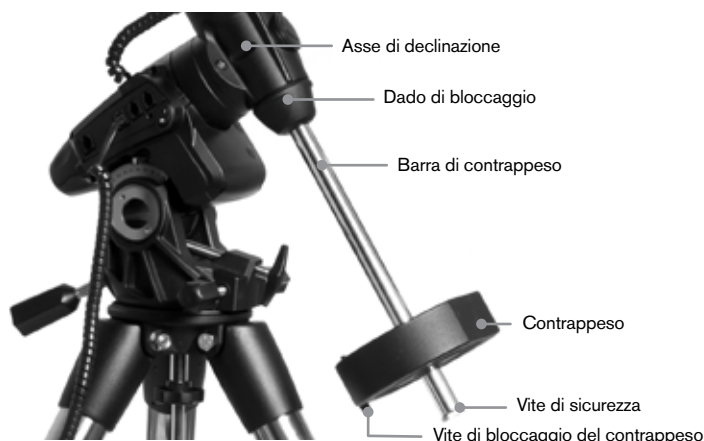
1. Rimuovere il dado e la rondella dal lato inferiore dell'asta centrale del treppiede.
2. Far scorrere il vassoio porta-accessori sull'asta centrale in modo che ciascun braccio del vassoio spinga contro l'interno delle gambe del treppiede.
3. Avvitare la manopola del vassoio porta-accessori sull'asta centrale e serrare.



Installare la barra di contrappeso

Per bilanciare correttamente il telescopio, la montatura è dotata di una barra di contrappeso e da almeno un contrappeso (a seconda del modello). Per installare la barra di contrappeso:

1. Individuare la barra di contrappeso e il dado di bloccaggio nella confezione che contiene la testa equatoriale. Il dado di bloccaggio deve essere già avvitato all'estremità della barra di contrappeso.
2. Individuare l'apertura nella montatura equatoriale sull'asse di declinazione e avvitare la barra di contrappeso nell'apertura fino a quando risulterà essere ben fissata.
3. Fissare completamente il dado di bloccaggio della barra di contrappeso.



Una volta che la barra sarà stata fissata in posizione, sarà possibile collegare il contrappeso.

Suggerimento per l'osservazione: Dal momento che il telescopio completamente montato può essere piuttosto pesante, posizionare la montatura in modo che l'asse polare sia rivolto verso nord prima di collegare il gruppo del tubo ottico e i contrappesi. Ciò renderà la procedura di allineamento polare molto più semplice.

Installare il contrappeso

Per installare il/i contrappeso/i in dotazione con la montatura o con il kit per telescopio:

1. Orientare la montatura in modo che la barra del contrappeso punti verso la terra.

2. Rimuovere la vite di sicurezza del contrappeso sull'estremità inferiore della barra del contrappeso ruotandola in senso antiorario. Questa vite impedisce al contrappeso di cadere dalla montatura in caso la vite di bloccaggio del contrappeso si allenti.
3. Allentare la vite di bloccaggio sul lato del contrappeso.
4. Far scorrere il contrappeso sulla barra di contrappeso e spostarlo circa nella metà superiore della barra.
5. Serrare la vite di bloccaggio sul lato del contrappeso per mantenerlo in posizione.
6. Riposizionare la vite di sicurezza del contrappeso.

Suggerimento: Il foro al centro del contrappeso è leggermente più grande da un lato. Quando si fa scorrere il contrappeso sulla barra di contrappeso, assicurarsi che il foro più piccolo sia rivolto verso la testa equatoriale. Ciò consentirà di far scorrere il contrappeso sulla vite di sicurezza posta sulla parte inferiore della barra di contrappeso in caso si necessiti di un po' più di regolazione per bilanciare gli altri accessori montati sul tubo ottico. Il foro più piccolo impedisce al contrappeso di scorrere completamente sopra la vite di sicurezza.

Collegamento del supporto per il Controllo manuale

I modelli di telescopio Advance VX sono dotati di un supporto per il controllo manuale che si collega a una gamba del treppiede. Il supporto per il controllo manuale è formato da due pezzi: Il morsetto di bloccaggio che scatta attorno alla gamba del treppiede e il supporto che si collega al morsetto di bloccaggio. Per collegare il supporto per il controllo manuale:

1. Posizionare il morsetto di bloccaggio su una delle gambe del treppiede e premere fermamente fino a quando il morsetto scatterà attorno alla gamba.
2. Far scorrere il retro del supporto per il controllo manuale verso il basso nel canale posto sulla parte anteriore del morsetto di bloccaggio fino a farlo scattare in posizione.



Collegamento di un tubo ottico alla montatura

Il telescopio si collega alla montatura per mezzo di una barra di scorrimento a coda di rondine montata lungo la parte inferiore del tubo del telescopio. Prima di collegare il tubo ottico, assicurarsi che le manopole di declinazione e di ascensione retta siano serrate e che il/i contrappeso/i sia/

siano installato/i in modo sicuro. Ciò garantirà che la montatura non si muova improvvisamente durante il collegamento del telescopio. Per montare il tubo del telescopio:

1. Allentare le due viti di montaggio sul lato della piattaforma di montaggio del telescopio. Ciò consentirà di far scorrere la barra a coda di rondine sulla montatura.
2. Se il telescopio ne è dotato, rimuovere le viti di sicurezza situate sotto la barra a coda di rondine.
3. Far scorrere la barra a coda di rondine sul tubo del telescopio nella piattaforma di montaggio della montatura. Far scorrere il telescopio in modo che il retro della barra a coda di rondine sia vicino al retro della piattaforma di montaggio.
4. Serrare le viti di bloccaggio sul lato della piattaforma di montaggio per mantenere il telescopio in posizione.

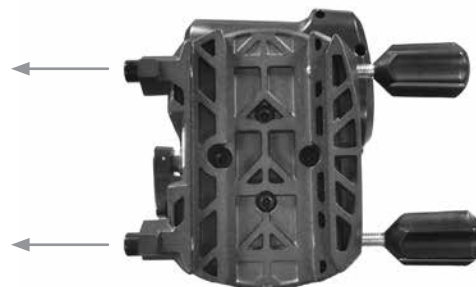
Ora che il tubo ottico è saldamente in posizione, è possibile collegare gli accessori visivi al telescopio. Ciò sarà ampiamente trattato nella sezione del presente manuale dedicata all'uso dei tubi ottici.



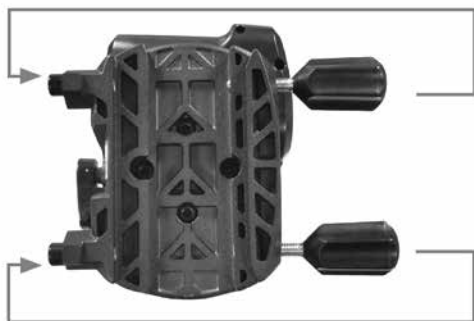
Utilizzo della piastra doppia

La montatura Advanced VX è dotata di una piastra doppia che consente di utilizzare qualsiasi tubo ottico con una barra a coda di rondine a V da 1,75" (Synta, Vixen) oppure la più larga barra a coda di rondine da 3" (75 mm) con piastra a D (CGEM, CGX, CGX-L).

La montatura Advanced VX dovrebbe essere già predisposta per poter utilizzare la più piccola piastra a V. Per convertire la montatura ed utilizzarla con la piastra più grande a D, basta semplicemente rimuovere i due bulloni dal lato sinistro della piastra a coda di rondine utilizzando una chiave a brugola da 6 mm.



Rimuovere le due manopole manuali e trasferirle sui fori filettati appena scoperti.



Per tenere pulite le filettature vuote, sistemare sempre nuovamente le viti rimosse con la chiave a brugola nei fori quando non in uso.

Spostamento manuale del telescopio

Al fine di bilanciare correttamente il telescopio, sarà necessario spostare il telescopio manualmente in direzione di varie porzioni di cielo per osservare oggetti differenti. Per eseguire regolazioni grossolane, allentare le manopole R.A. e DEC leggermente e spostare il telescopio alla direzione desiderata.

Gli assi R.A. e DEC presentano leve di bloccaggio per tenere verso il basso ciascun asse del telescopio. Per allentare le frizioni sul telescopio, ruotare le leve di blocco in senso antiorario.



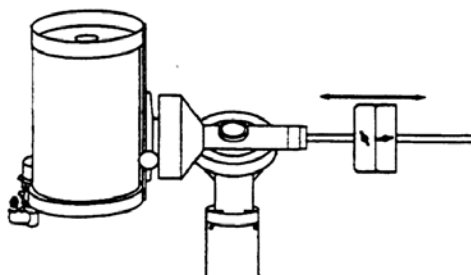
Bilanciamento della montatura in R.A.

Per eliminare lo stress non dovuto sulla montatura, il telescopio deve essere bilanciato correttamente attorno all'asse polare. Il bilanciamento corretto è di fondamentale importanza per una precisa tracciatura. Per bilanciare la montatura.

1. Verificare che il telescopio sia collegato in modo sicuro alla piattaforma di montaggio del telescopio.
2. Allentare al leva di bloccaggio R.A. e posizionare il telescopio fuori da un lato della montatura. La barra di contrappeso si estenderà orizzontalmente sul lato opposto della montatura.
3. Rilasciare il telescopio **GRADUALMENTE** per vedere in che direzione il telescopio "ruota".
4. Allentare le viti del set sul lato del contrappeso, così che

sia possibile muoverlo per la lunghezza della barra di contrappeso.

5. Spostare il contrappeso in un punto in cui bilanci il telescopio (ovvero, il telescopio rimane stazionario mentre le manopole di frizione R.A. sono allentate).
6. Serrare la vite sul contrappeso per mantenerlo in posizione.



Suggerimento: Mentre le istruzioni di cui sopra descrivono una disposizione perfetta del bilanciamento, deve essere presente un **LEGGERO** sbilanciamento per garantire la migliore tracciatura possibile. Quando il telescopio si trova sul lato occidentale della montatura, il contrappeso deve essere leggermente sbilanciato verso il lato della barra di contrappeso. E quando il tubo si trova sul lato orientale della montatura, deve essere presente un leggero sbilanciamento verso il lato del telescopio. Ciò viene fatto in modo che la vite senza fine spinga contro un leggero carico. La quantità di sbilanciamento è molto leggera. Al momento dell'acquisizione di immagini astrali, questo processo di bilanciamento può essere eseguito per l'are specifica in cui il telescopio sta puntando al fine di ottimizzare ulteriormente la precisione di tracciatura.

Bilanciamento della montatura in DEC

Sebbene la montatura non tracci nella declinazione, il telescopio deve essere altresì bilanciato in tale asse per impedire movimenti improvvisi quando la leva di bloccaggio DEC è allentata. Per bilanciare il telescopio in DEC:

1. Allentare la leva di bloccaggio a frizione R.A. e ruotare il telescopio in modo che si trovi su un lato della montatura (ovvero, come descritto nella sezione precedente "Bilanciamento della montatura in R.A.").
2. Serrare la leva di bloccaggio R.A. per mantenere il telescopio in posizione.
3. Allentare la leva di bloccaggio a frizione DEC e ruotare il telescopio fino a quando il tubo sarà parallelo alla terra.
4. Rilasciare il tubo **GRADUALMENTE** per vedere in che direzione ruota attorno all'asse di declinazione. **NON LASCIARE ANDARE COMPLETAMENTE IL TUBO DEL TELESCOPIO!**
5. Allentare leggermente le manopole che tengono il telescopio alla piattaforma di montaggio e far scorrere il telescopio avanti o indietro fino a quando rimarrà stazionario quando la frizione DEC sarà allentata. **NON** lasciare andare il tubo del telescopio mentre le manopole

sulla piattaforma di montaggio sono allentate. Potrebbe essere necessario ruotare il telescopio in modo che la barra di contrappeso punti verso il basso prima di allentare la vite della piattaforma di montaggio.

6. Serrare le manopole sulla piattaforma di montaggio del telescopio per tenere il telescopio in posizione.

Come per il bilanciamento in R.A., queste sono istruzioni di bilanciamento generali e ridurranno lo stress non dovuto sulla montatura. Al momento dell'acquisizione di immagini astrali, questo processo di bilanciamento può essere eseguito per l'area specifica in cui il telescopio sta puntando.

Regolazione della montatura

Affinché il motore possa eseguire una precisa tracciatura, l'asse di rotazione del telescopio deve essere parallelo all'asse di rotazione della Terra, un processo noto come allineamento polare. L'allineamento polare NON si raggiunge spostando il telescopio in R.A. o DEC ma regolando la montatura verticalmente, denominata altitudine, e orizzontalmente, denominata azimuth. Questa sezione tratta semplicemente il movimento corretto del telescopio durante il processo di allineamento polare. Il processo attuale dell'allineamento polare, o del rendere l'asse di rotazione del telescopio parallelo a quello della Terra, è descritto successivamente nel presente manuale alla sezione relative all'"Allineamento Polare".

Regolazione della montatura in altitudine

- Per aumentare la latitudine dell'asse polare, serrare la vite posteriore di regolazione dell'altitudine e allentare la vite anteriore.
- Per diminuire la latitudine dell'asse polare, serrare la vite anteriore di regolazione dell'altitudine, situata sotto la barra di contrappeso, e allentare la vite posteriore.

La regolazione della latitudine sulla montatura Advanced VX presenta un intervallo che va da circa 7° a 77°.



È meglio eseguire sempre le regolazioni finali per l'altitudine spostando la montatura contro la gravità (ovvero, utilizzando la vite posteriore di regolazione dell'altitudine per alzare la montatura). Per fare ciò è necessario allentare entrambe le viti di regolazione dell'altitudine e spingere manualmente la parte frontale della montatura verso il basso fino a fine corsa. Serrare la vite posteriore di regolazione per alzare la montatura alla latitudine desiderata.

Regolazione della montatura in azimuth

Per regolazioni grossolane dell'azimuth, prendere semplicemente il telescopio e il treppiede e spostarlo. Per regolazioni precise dell'azimuth:

Ruotare le manopole di regolazione dell'azimuth situate su entrambi i lati dell'alloggiamento dell'azimuth. Stando in piedi dietro al telescopio, le manopole si trovano sulla parte anteriore della montatura.

- Ruotando la manopola di regolazione destra in senso orario, la montatura si sposta verso destra.
- Ruotando la manopola di regolazione sinistra in senso orario, la montatura si sposta verso sinistra.

Entrambe le viti escono dal perno di allineamento posto sulla testa del treppiede, il che significa che potrebbe essere necessario allentare una vite mentre si avvitava l'altra. La vite che fissa la montatura equatoriale al treppiede potrebbe dover essere leggermente allentata.

Tenere a mente che la regolazione della montatura viene eseguita esclusivamente durante il processo di allineamento polare. Una volta allineato il polo, la montatura NON deve essere spostata. Il puntamento del telescopio viene eseguito spostando la montatura in ascensione retta e in declinazione, come descritto in precedenza nel presente manuale.

Collegamento del cavo di declinazione

La montatura Advanced VX è dotata di un cavo che connette il pannello di controllo elettronico al motore di declinazione. Per collegare i cavi del motore:

- Individuare il cavo di declinazione e collegare un'estremità del cavo nella porta del pannello elettronico denominata Porta DEC.
- Collegare l'altra estremità del cavo nella porta situata sul motore di declinazione.

Accensione del telescopio

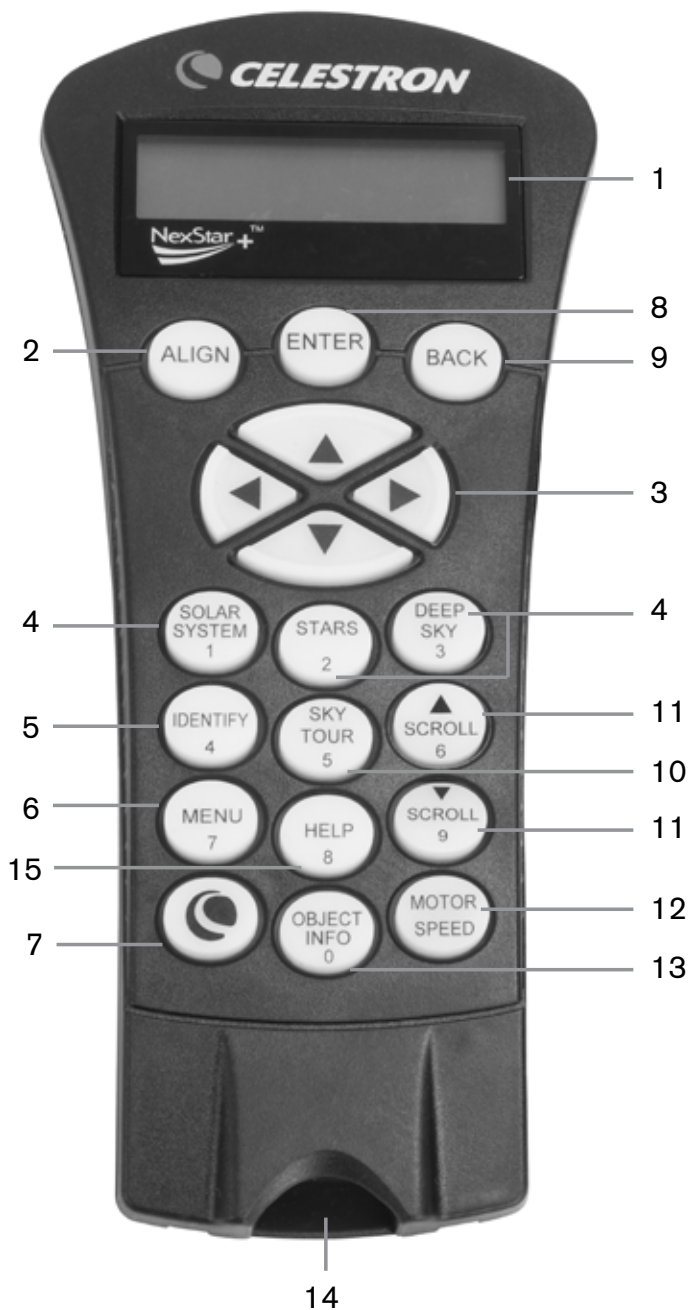
La montatura Advanced VX può essere accesa mediante l'adattatore di batteria per auto in dotazione o mediante l'adattatore CA da 12V opzionale. Utilizzare esclusivamente adattatori forniti da Celestron. L'uso di qualsiasi altro adattatore può danneggiare i componenti elettronici e annullerà la garanzia del produttore.

1. Per accendere il telescopio con l'adattatore di batteria per auto (o con l'adattatore CA da 12V), collegare semplicemente lo spinotto rotondo nella presa da 12V del pannello elettronico e collegare l'altra estremità alla presa dell'accendisigari della propria auto o a un alimentatore portatile.
2. Accendere il telescopio posizionando l'interruttore, situato sul pannello elettronico, in posizione "On".

Controllo manuale computerizzato

Con il telescopio, è stato ricevuto un controllo manuale NexStar+ recentemente aggiornato. Il telecomando è ora dotato di un connettore USB utilizzato per il collegamento al PC con software di controllo e per l'esecuzione degli aggiornamenti del firmware. Questo è un sostituto per tutti gli esistenti telescopi che accettano comando manuale NexStar+ con connettore RS-232.

Aggiornamento del firmware del telecomando attraverso porta USB con alimentazione esterna e senza collegamento alla montatura. Per aggiornare il firmware è sufficiente collegare il cavo mini USB (non in dotazione) dal PC alla porta sul fondo del telecomando ed eseguire il Celestron Firmware Manager (CFM), disponibile gratuitamente alla sezione Assistenza su Celestron.com.



1. **Ventana de pantalla de cristal líquido (LCD):** Presenta uno schermo di visualizzazione a quattro righe da 18 caratteri che lampeggia di rosso per una comoda visualizzazione delle informazioni del telescopio e per scorrere il testo.
2. **Align (Allinea):** Fornisce istruzioni al controllo manuale per iniziare il processo di allineamento del telescopio.
3. **Tasti direzionali:** Consente un controllo completo della montatura Advanced VX in tutte le direzioni. Utilizzare i tasti direzionali per centrare gli oggetti nell'oculare o per ruotare manualmente il telescopio.
4. **Tasti catalogo:** L'Advanced VX dispone di un tasto sul controllo manuale che consente l'accesso diretto a ciascuno dei cataloghi principali nel suo database contenente più di 40.000 oggetti. La montatura contiene nel proprio database i seguenti cataloghi:
 - Sistema Solare: Tutti i 7 pianeti presenti nel nostro Sistema Solare più la Luna, il Sole e Plutone.
 - Stelle: Elenchi personalizzati di tutte le stelle più luminose, le stelle doppie, le stelle variabili, le costellazioni e gli asterismi.
 - Profondo cielo: Elenchi personalizzati di tutte le migliori galassie, nebulose e ammassi stellari nonché gli oggetti Messier e NGC selezionati completi.
5. **Identify (Identifica):** Cerca all'interno dei database di Advanced VX e visualizza il nome e la distanza degli oggetti corrispondenti più vicini.
6. **Menu:** Visualizza le varie funzioni di configurazione e di utilità, quali la velocità di tracciabilità, gli oggetti definiti dall'utente e molto altro.
7. **Option (Opzione) (Logo Celestron):** Può essere utilizzato in combinazione con gli altri tasti per accedere a caratteristiche e funzionalità più avanzate.
8. **Enter (Invio):** Il tasto **ENTER (INVIO)** consente di selezionare qualsiasi funzione di Advanced VX, di accettare i parametri immessi e di ruotare il telescopio verso gli oggetti visualizzati.
9. **Back (Indietro):** Il tasto **BACK** farà uscire l'utente dal menu corrente e visualizzerà il livello precedente del percorso del menu. Premere **BACK** ripetutamente per andare al menu principale oppure per cancellare i dati inseriti per sbaglio.
10. **Sky Tour:** Attiva la modalità tour, la quale cerca tutti i migliori oggetti nel cielo e ruota automaticamente Advanced VX in direzione di tali oggetti.
11. **Tasti di scorrimento:** Utilizzare per scorrere verso l'alto e il basso entro qualsiasi elenco del menu. Un simbolo raffigurante una doppia freccia nel lato destro dello schermo LCD indica che i tasti di scorrimento possono essere utilizzati per visualizzare informazioni aggiuntive.
12. **Motor speed (Velocità del motore):** Ruota il telescopio più velocemente o più lentamente quando sono premuti i tasti direzionali.
13. **Object Info (Info oggetto):** Visualizza le coordinate e le informazioni utili relative agli oggetti selezionati dal database di Advanced VX.
14. **Porta mini USB (cavo non in dotazione):** Consente di collegare il telescopio a un computer, per utilizzarlo con software per la capacità di rotazione point-and-click e per aggiornare il firmware tramite PC.
15. **Menù de ayuda:** En futuras actualizaciones de firmware, este botón ofrecerá recomendaciones para solucionar

problemas. Para su comodidad, actualmente funciona como acceso directo al catálogo Messier.

Funzionamento del controllo manuale

La presente sezione descrive le procedure di base del controllo manuale necessarie per mettere in funzione tutti i telescopi computerizzati Celestron. Queste procedure sono raggruppate in tre categorie: Allineamento, Configurazione e Utilità. La sezione relativa all'allineamento passa in rassegna l'allineamento iniziale del telescopio e le procedure per trovare oggetti nel cielo. La sezione relativa alla configurazione discute le modalità di modifica dei parametri quali la modalità di tracciabilità e la velocità di tracciabilità. Da ultimo, l'ultima sezione rivede tutte le funzioni di utilità quali la calibrazione della montatura, l'allineamento polare e la compensazione contraccolpi.

Procedure di allineamento

Affinché il telescopio possa puntare precisamente gli oggetti nel cielo, esso deve prima allinearsi con posizioni note (stelle) nel cielo. Con questa informazione, il telescopio può creare un modello del cielo, che utilizzerà per individuare qualsiasi oggetto con coordinate note. Esistono molti modi per allineare il proprio telescopio con il cielo, a seconda delle informazioni che l'utente è in grado di fornire:

- **L'Allineamento a due stelle** utilizza le informazioni di ora/posizione inserite e consente all'utente di selezionare due stelle di allineamento verso le quali il telescopio ruoterà automaticamente.
- **L'Allineamento a una stella** utilizza le stesse informazioni di ora/posizione ma utilizza solamente una stella per l'allineamento.
- **L'Allineamento con il Sistema Solare** visualizzerà un elenco degli oggetti diurni visibili (pianeti e la Luna) disponibili per allineare il telescopio.
- **L'Allineamento rapido** chiederà di inserire le stesse informazioni richieste per la procedura di Allineamento a due stelle. Tuttavia, al posto di ruotare verso le stelle di allineamento per la procedura di centratura e allineamento, il telescopio salta questo passaggio e crea semplicemente un modello del cielo sulla base delle informazioni fornite.
- **L'Ultimo allineamento** ripristina l'ultimo allineamento stellare salvato e passa a quella posizione. L'Ultimo allineamento serve anche come una buona salvaguardia in caso il telescopio dovesse perdere potenza.

Procedura di avvio

Prima di eseguire qualsiasi allineamento descritto, la montatura Advanced VX deve essere posizionata in modo che i segni di indicizzazione siano allineati su entrambi gli assi di ascensione retta e di declinazione. Una volta impostata la posizione di indicizzazione, il controllo manuale visualizzerà le informazioni di data e ora più recenti salvate nel controllo manuale.

1. Premere **ENTER** per iniziare il processo di allineamento.
2. Il controllo manuale richiederà all'utente di impostare la montatura alla relativa posizione di indicizzazione. Spostare la montatura del telescopio, manualmente o con il controllo manuale, in modo che i segni di indicizzazione posti su R.A. e Dec siano allineati. Premere **ENTER** per continuare.
 - Il controllo manuale visualizzerà quindi l'ora locale, il fuso orario e la data inserite più recentemente.
 - Utilizzare i tasti Su/Giù (10) per visualizzare i parametri correnti.

- Premere ENTER per accettare i parametri correnti.
- Premere BACK per inserire le informazioni correnti relative alla data, all'ora e alla posizione nel controllo manuale.

3. Saranno visualizzate le seguenti informazioni:

- **Posizione:** il controllo manuale visualizzerà un elenco di città tra cui scegliere. Scegliere dal database la città più vicina al sito di osservazione corrente. La città scelta sarà salvata nella memoria del controllo manuale in modo che sia visualizzata automaticamente la volta successiva che si eseguirà l'allineamento. In alternativa, se si conoscono la latitudine e la longitudine esatte del proprio sito di osservazione, esse possono essere inserite direttamente nel controllo manuale ed essere salvate allo stesso modo per l'uso futuro. Per scegliere una città:
 - Utilizzare i tasti di scorrimento Su e Giù per scegliere tra Database di città e Sito personalizzato. Il Database di città consentirà di selezionare la città più vicino al sito di osservazione da un elenco di località statunitensi e internazionali. Il Sito personalizzato consentirà di inserire la longitudine e la latitudine esatte del sito di osservazione. Selezionare Database di città e premere ENTER.
 - Il controllo manuale consentirà di scegliere tra località statunitensi e internazionali. Per un elenco delle località statunitensi per stato e quindi per città, premere ENTER mentre è visualizzata la dicitura Stati Uniti. Per le località internazionali, utilizzare i tasti di scorrimento Su e Giù per selezionare Internazionale e premere ENTER.
 - Utilizzare i tasti di scorrimento Su e Giù per scegliere lo stato corrente (o il Paese in caso sia stata selezionata una località Internazionale) dall'elenco in ordine alfabetico e premere ENTER.
 - Utilizzare i tasti di scorrimento Su e Giù per scegliere la città più vicina alla propria posizione dall'elenco visualizzato e premere ENTER.
- **Ora:** inserire l'ora locale corrente per la propria area. È possibile inserire l'ora locale (ad es., 08:00), oppure è possibile inserire l'ora militare (ad es., 20:00).
 - Selezionare PM o AM. In caso sia stata inserita l'ora militare, il controllo manuale salterà questo passaggio.
 - Scegliere tra Ora solare o Ora legale. Utilizzare i tasti di scorrimento Su e Giù (10) per passare tra queste opzioni.
 - Selezionare il fuso orario da cui si sta osservando. Nuovamente, utilizzare i tasti Su e Giù (10) per scorrere tra le scelte. Fare riferimento alla mappa dei Fusi orari nell'Appendice per maggiori informazioni.
- **Data:** Inserire il mese, il giorno e l'anno della sessione di osservazione.

Nota: Aggiornamento della posizione: dal momento che potrebbe non essere necessario aggiornare la posizione di osservazione tanto spesso quanto la data e l'ora, non sarà visualizzata ogni volta che si aggiornano la data e l'ora. Per aggiornare la propria città, premere BACK in qualsiasi momento durante l'aggiornamento della data e dell'ora. Continuare a premere BACK per modificare lo stato, il Paese o per aggiungere le coordinate di latitudine e longitudine.

Nota: In caso si inseriscano informazioni sbagliate nel controllo manuale, il tasto BACK funziona come un tasto di ritorno spazio consentendo all'utente di inserire nuovamente il dato corretto.

Selezionare uno dei metodi di allineamento descritti qui di seguito.

Allineamento a due stelle

L'Allineamento a due stelle consente all'utente di selezionare due stelle su cui allineare il telescopio. Per allineare il telescopio utilizzando il

metodo di Allineamento a due stelle:

1. Selezionare Allineamento a due stelle dalle opzioni di allineamento fornite. Sulla base delle informazioni di data e ora inserite, il controllo manuale selezionerà automaticamente e visualizzerà una stella luminosa sopra l'orizzonte.
 - Premere ENTER per selezionare questa stella come prima stella di allineamento.
 - Se per qualsiasi ragione la stella scelta non è visibile (magari perché si trova dietro a un albero o a un edificio), premere BACK per far selezionare automaticamente al controllo manuale la successiva stella più luminosa.
 - Oppure è possibile utilizzare i tasti Su/Giù per scorrere l'intero elenco delle Stelle aventi un nome e selezionarne una qualsiasi tra più di duecento stelle di allineamento.
2. Una volta il telescopio avrà terminato la rotazione verso la prima stella di allineamento, lo schermo richiederà di utilizzare i tasti freccia per allineare la stella selezionata con il reticolo al centro del cercatore di stelle. Una volta centrata nel cercatore, premere ENTER.

Lo schermo fornirà quindi istruzioni per centrare la stella nel campo visivo dell'oculare. Una volta centrata la stella, premere ALIGN per accettare questa stella come prima stella di allineamento.

Importante: Quando si sposta il telescopio, ricordare sempre di terminare la rotazione utilizzando i tasti direzionali SU e DESTRA sul controllo manuale per eliminare eventuali contraccolpi meccanici negli ingranaggi.

3. Una volta inserita la prima stella di allineamento, il controllo manuale selezionerà automaticamente una seconda stella di allineamento e sarà quindi necessario ripetere questa procedura per tale stella.

Una volta allineato il telescopio su entrambe le stelle, lo schermo chiederà se si desidera aggiungere stelle di calibrazione aggiuntive. Le stelle di calibrazione sono utilizzate per migliorare la precisione di puntamento del telescopio compensando i sottili disallineamenti opto-meccanici tra l'ottica del telescopio e la montatura. Pertanto, è solitamente consigliabile aggiungere almeno una stella di calibrazione aggiuntiva per migliorare la precisione di puntamento a tutto cielo della montatura.

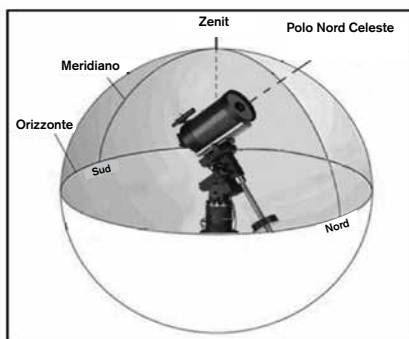
4. Premere ENTER per selezionare una stella di calibrazione. Selezionare una stella allo stesso modo in cui si sono selezionate le prime due stelle di allineamento e premere ENTER. Si noterà che tutte le stelle di calibrazione visualizzate sono posizionate sul lato opposto del lato del cielo (meridiano) come le stelle di allineamento originali. Questo è essenziale per una calibrazione precisa della montatura.

Da ultimo, è possibile scegliere di continuare ad aggiungere stelle di calibrazione aggiuntive, oppure premere **BACK** per completare l'allineamento.

Nota: Filtraggio Est/Ovest: al fine di garantire la precisione di puntamento a tutto cielo migliore possibile, la montatura computerizzata filtra e sceglie automaticamente le stelle di allineamento iniziali in modo che le prime due stelle di allineamento siano posizionate su un lato del meridiano e le eventuali stelle di calibrazione siano sul lato opposto del meridiano, secondo quanto indicato dalle lettere "W" o "E" visualizzate nell'angolo in alto a destra dello schermo LCD. Il filtraggio Est/Ovest può essere modificato semplicemente premendo il tasto **MENU** in qualsiasi momento durante il processo di allineamento.

Suggerimenti per l'aggiunta delle stelle di calibrazione:

- Sebbene per l'osservazione causale non sia necessario aggiungere stelle di calibrazione, si consiglia di aggiungere almeno tre stelle di calibrazione per una precisione di puntamento ottimale.
- La scelta di stelle di calibrazione che siano vicine all'equatore celeste offre i migliori risultati rispetto alla scelta di stelle vicino ai poli celesti.
- Sebbene non sia necessario utilizzare le stelle di calibrazione se la montatura del telescopio non è stata spostata dall'allineamento/calibrazione originaria, potrebbe essere necessario ricalibrare il telescopio se il tubo ottico è stato rimosso per qualsiasi ragione.



Nota: Meridiano: il meridiano è una linea immaginaria nel cielo che inizia dal Polo Nord celeste e termina al Polo Sud celeste passando attraverso lo zenit. Se si è rivolti verso sud, il meridiano inizia dall'orizzonte sud e passa direttamente sopra la testa fino al Polo Nord celeste.

Per ragioni di sicurezza, il Sole non sarà visualizzato in nessun elenco di oggetti del controllo manuale a meno che esso non sia stato abilitato dal menu Utilità. Per far sì che il Sole sia visualizzato sul controllo manuale, eseguire quanto segue.

1. Premere il tasto **BACK** fino a quando sullo schermo sarà visualizzata la dicitura "Advanced VX pronto".
2. Premere il tasto **MENU** e utilizzare i tasti **Su** e **Giù** per selezionare il menu Utilità. Premere **ENTER**.
3. Utilizzare i tasti **Su** e **Giù** per selezionare il Menu Sole e premere **ENTER**.
4. Premere **ENTER** nuovamente per far sì che la dicitura

Sole appaia sullo schermo del controllo manuale.

Il Sole può essere rimosso dalla visualizzazione utilizzando la stessa procedura di cui sopra.

Suggerimento: Per migliorare la precisione di puntamento del telescopio, è possibile utilizzare la funzionalità Ri-allinea secondo quanto descritto qui di seguito.

Allineamento rapido

L'Allineamento rapido utilizza tutte le informazioni di data e ora inserite all'avvio per allineare il telescopio. Tuttavia, al posto di ruotare verso le stelle di allineamento per la procedura di centratura e allineamento, il telescopio salta questo passaggio e crea semplicemente un modello del cielo sulla base delle informazioni fornite. Ciò consentirà all'utente di ruotare grossolanamente verso le coordinate di oggetti luminosi quali la Luna e i pianeti e fornisce al telescopio le informazioni necessarie per tracciare gli oggetti in qualsiasi parte del cielo (a seconda della precisione dell'allineamento polare). L'Allineamento rapido non è destinato a essere usato per individuare con precisione oggetti del profondo cielo piccoli o deboli o per tracciare precisamente gli oggetti per l'acquisizione di immagini astrali.

Per utilizzare l'Allineamento rapido, selezionare semplicemente Allineamento rapido dalle opzioni di allineamento e premere **ENTER**. Il telescopio utilizzerà automaticamente i parametri di data/ora inseriti per allinearsi con il cielo e visualizzare la dicitura "Allineamento riuscito".

Nota: Una volta eseguito l'Allineamento rapido, è possibile utilizzare la funzionalità di Ri-allineamento (vedere sotto) per migliorare la precisione di puntamento del telescopio.

Ultimo allineamento

Il metodo dell'ultimo allineamento richiamerà automaticamente le ultime posizioni di indicizzazioni salvate per continuare a utilizzare l'allineamento che è stato salvato al momento dell'ultimo spegnimento del telescopio. Si tratta di una funzionalità utile in caso il telescopio avesse un calo di alimentazione o dovesse spegnersi accidentalmente.

Nota: Proprio come con l'Allineamento rapido, è possibile utilizzare la funzionalità di ri-allineamento (vedere sotto) per migliorare la precisione di puntamento del telescopio dopo aver utilizzato il metodo dell'Ultimo allineamento. Per mantenere un allineamento più preciso in una serie di sessioni di osservazioni, utilizzare la funzionalità Ibernazione descritta più avanti in questo capitolo.

Ri-allineamento

La montatura dispone di una funzionalità di ri-allineamento che consente di sostituire una qualsiasi delle stelle di allineamento originarie con una nuova stella o oggetto celeste. Ciò può essere utile in varie situazioni:

- Se si esegue un'osservazione in un periodo di qualche ora, è possibile notare che le due stelle di allineamento originarie si sono allontanate in modo considerevole verso ovest. (Ricordare che le stelle si spostano a una velocità di 15° all'ora). L'allineamento su una nuova stella che si trova sulla parte orientale del cielo migliorerà la precisione di puntamento, specialmente per gli oggetti che si trovano in quella parte del cielo.
- Se si è allineato il telescopio utilizzando il metodo di Allineamento rapido, è possibile utilizzare la funzione di Ri-allineamento per allinearsi su oggetti attuali nel cielo.

Ciò migliorerà la precisione di puntamento del telescopio senza dover inserire nuovamente informazioni aggiuntive.

- Se si è utilizzato un metodo di allineamento polare assistito dal computer e si è spostata manualmente la montatura, potrebbe essere necessario ri-allineare la montatura per una migliorata precisione di puntamento.

Per sostituire una stella di allineamento esistente con una nuova:

1. Selezionare la stella desiderata (o l'oggetto) dal database far ruotare verso di essa il telescopio.
2. Centrare attentamente l'oggetto nell'oculare.
3. Una volta centrato, premere il tasto **BACK** fino a quando non si arriva al menu principale.
4. Con la dicitura "Advanced VX pronto" visualizzata, premere il tasto **ALIGN** sul controllo manuale per selezionare le Stelle di allineamento dall'elenco di opzioni.
5. Lo schermo chiederà quindi quale stella di allineamento si desidera sostituire. Utilizzare i tasti di scorrimento Su e Giù per selezionare le stelle di allineamento da sostituire. Normalmente, è meglio sostituire la stella più vicina al nuovo oggetto. Questo distanzierà le stelle di allineamento nel cielo.
6. Premere **ALIGN** per effettuare il cambiamento.

Catalogo degli oggetti

Selezionare un oggetto

Una volta allineato correttamente il telescopio, è possibile scegliere un oggetto da uno qualsiasi dei cataloghi presenti nel database del controllo manuale NexStar+. Il controllo manuale dispone di un tasto dedicato per ciascuna categoria di oggetti nel database: oggetti del Sistema solare, Stelle e oggetti del profondo cielo.

- **Sistema Solare:** il catalogo del Sistema solare visualizzerà tutti i pianeti (e la Luna) presenti nel nostro Sistema Solare che sono attualmente visibili nel cielo. Per consentire la visualizzazione del Sole come oggetto selezionabile nel database, vedere l'opzione del Menu Sole nel Menu di configurazione del telescopio.
- **Stelle:** il catalogo delle stelle visualizza un elenco personalizzato di tutte le stelle più luminose, stelle doppie (Binarie), stelle variabili, costellazioni e asterismi selezionati.
- **Profondo cielo:** il catalogo del Profondo Cielo visualizza un elenco di tutte le migliori Galassie, Nebulose e Ammassi, nonché oggetti del catalogo Messier e una selezione di oggetti del catalogo NGC. Vi è inoltre un elenco alfabetico di tutti gli oggetti del profondo cielo ordinati secondo il relativo nome comune.

Utilizzare i tasti di scorrimento per scorrere lungo i cataloghi per trovare l'oggetto che si desidera visualizzare.

Durante lo scorrimento di un lungo elenco di oggetti, tenere premuti il tasto **SU** o il tasto **GIÙ** consentirà di scorrere il catalogo nella relativa direzione più rapidamente.

Ruotare verso un oggetto

Una volta che l'oggetto desiderato sarà visualizzato sullo schermo del controllo manuale, vi sono due opzioni:

- **Premere il tasto OBJECT INFO (INFO OGGETTO).** Ciò fornirà informazioni utili in merito all'oggetto selezionato, quali grandezza, costellazione e informazioni estese in merito agli oggetti più popolari.
 - Utilizzare i tasti freccia **SU/GIÙ** per scorrere lungo le informazioni dell'oggetto visualizzato.
 - Utilizzare il tasto **BACK** per tornare al database degli oggetti.
- **Premere il tasto ENTER.** Ciò farà ruotare automaticamente il telescopio alle coordinate dell'oggetto visualizzato sul controllo manuale. Mentre il telescopio è in fase di rotazione verso l'oggetto, l'utente può ancora avere accesso a molte delle funzioni del controllo manuale (quali la visualizzazione delle informazioni in merito all'oggetto).

NOTA: I cataloghi Messier, NCG e SAO richiedono che l'utente digiti una designazione numerica. Una volta selezionato il tasto del catalogo appropriato e selezionato il catalogo Messier, NGC o SAO, si vedrà un cursore lampeggiante ad indicare l'accesso alla modalità di immissione numerica. Digitare il numero del catalogo dell'oggetto che si intende visualizzare. Premere **ENTER** per comandare al telescopio di ruotare verso l'oggetto, oppure tenere premuto il tasto **OPTION** (logo Celestron) e premere il tasto **OBJECT INFO** per vedere le informazioni relative all'oggetto selezionato.

Avvertenza: Mai far ruotare il telescopio mentre qualcuno sta guardando nell'oculare. Il telescopio può spostarsi a velocità di rotazione elevate e può colpire un osservatore nell'occhio.

Tasto SkyTour

La montatura Advanced VX include una funzionalità tour la quale consente all'utente di scegliere da un elenco di oggetti interessanti in base alla data e all'ora di osservazione. Il tour automatico visualizzerà solamente quegli oggetti che si trovano entro i limiti di filtro impostati per il catalogo. Per attivare la funzionalità tour, premere il tasto **SKY TOUR** sul controllo manuale.

1. Premere il tasto **SKY TOUR** sul controllo manuale.
2. Utilizzare i tasti di **SCORRIMENTO** per selezionare il Meglio di Stanotte.
3. La montatura Advanced VX ruoterà automaticamente in azimut alla posizione iniziale la quale contribuirà a ridurre al minimo la possibilità di attorcigliare il cavo di alimentazione durante il tour.
4. Il controllo manuale visualizzerà gli oggetti migliori da osservare attualmente presenti nel cielo.
 - Per vedere le informazioni e i dati relativi all'oggetto visualizzato, premere il tasto **OBJECT INFO**. Premerlo una volta per visualizzare le coordinate dell'oggetto. Premerlo nuovamente per visualizzare le coordinate dell'oggetto. Premerlo nuovamente per visualizzare il testo. Premere **BACK** per ritornare alla schermata precedente.

- Per ruotare verso l'oggetto visualizzato, premere **ENTER**.
- Per vedere l'oggetto successivo del tour, premere il tasto **GIÙ**.

Tasto Identify (Identifica)

Premere il tasto **IDENTIFY** cercherà nei cataloghi del database della montatura e visualizzerà il nome e la distanza angolare agli oggetti corrispondenti più vicini alla posizione corrente del telescopio. Questa funzionalità può essere utilizzata per due scopi. Per prima cosa, può essere utilizzata per identificare un oggetto sconosciuto nel campo di visualizzazione dell'oculare. Inoltre, la modalità Identify può essere utilizzata per trovare altri oggetti celesti che sono vicini agli oggetti attualmente in corso di osservazione.

Per esempio, se il telescopio è puntato verso la stella più luminosa nella costellazione di Lira, scegliere il tasto Identify ritornerà senza dubbio alla stella Vega come stella di osservazione. Tuttavia, la funzionalità Identify cercherà inoltre nei database NGC e del Sistema solare e visualizzerà eventuali pianeti oppure oggetti del profondo cielo che sono vicini. In questo esempio, la Nebulosa Anello (M57) sarebbe visualizzata come a una distanza di 6°.

La luminosità e la vicinanza degli oggetti visualizzati può essere definita dall'utente utilizzando il filtro Identify nelle Impostazioni del telescopio.

Tasti direzionali

Il controllo manuale dispone di quattro tasti direzionali posti al centro del controllo manuale, i quali controllano il movimento del telescopio in altezza (su e giù) e in azimut (sinistra e destra). Il telescopio può essere controllato a nove diverse velocità.

1 = 2x	6 = .3° / sec
2 = 4x	7 = 1° / sec
3 = 8x	8 = 2° / sec
4 = 16x	9 = 4° / sec
5 = 32x	

Tasto Motor speed (velocità motore)

Premere il tasto **MOTOR SPEED** (12) consente di modificare istantaneamente la velocità dei motori da alta velocità di rotazione a velocità di guida precisa o in qualsiasi punto intermedio. Ciascuna velocità corrisponde a un numero sul tastierino del controllo manuale. Il numero 9 è la velocità maggiore (circa 4° al secondo, a seconda della fonte di alimentazione) ed è utilizzato per la rotazione tra oggetti e il posizionamento delle stelle di allineamento. Il tasto numero 1 del controllo manuale è la velocità più bassa (2x siderale) ed è utilizzato per centrare in modo preciso gli oggetti nell'oculare. Per modificare la velocità dei motori:

- Premere il tasto **MOTOR SPEED** sul controllo manuale. Lo schermo LCD visualizzerà la velocità attuale.
- Premere il numero sul controllo manuale che corrisponde alla velocità desiderata.

Il controllo manuale dispone di una funzionalità a "doppio tasto" che consente di aumentare istantaneamente la velocità

dei motori senza dover scegliere una velocità specifica. Per utilizzare questa funzionalità, premere semplicemente il tasto a freccia che corrisponde alla direzione verso cui si intende spostare il telescopio. Mentre si preme tale tasto, premere il tasto direzionale opposto. Ciò aumenterà la velocità alla massima velocità di rotazione.

Durante l'utilizzo dei tasti **SU** e **GIÙ** sul controllo manuale, le velocità di rotazione inferiori (6 e inferiori) spostano i motori nella direzione opposta rispetto alle velocità di rotazione superiori (7-9). Ciò viene fatto in modo che un oggetto si sposti nella direzione appropriata mentre si guarda nell'oculare (ad es., premere la freccia in alto sposterà la stella nella parte superiore del campo di visualizzazione dell'oculare). Tuttavia, se qualsiasi velocità di rotazione inferiore (velocità 6 e inferiore) è utilizzata per centrare un oggetto nello StarPointer, è possibile che sia necessario premere il tasto direzionale opposto per far sì che il telescopio si sposti nella direzione corretta.

Tasto Help (Aiuto)

Nei futuri aggiornamenti del firmware, questo tasto offrirà suggerimenti per la risoluzione dei problemi. Per comodità, attualmente funziona come collegamento rapido al Catalogo Messier.

Tasto menu

La montatura Advanced VX contiene molte funzioni di configurazione definite dall'utente ideate per dare all'utente il controllo sulle molte funzionalità del telescopio. A tutte le funzionalità di configurazione e di utilità è possibile accedere premendo il tasto **MENU** e scorrendo le opzioni sottostanti.

Menu Tracciatura

Modalità tracciatura: consente di modificare il modo in cui il telescopio esegue la tracciatura a seconda della tipologia di montatura utilizzata per supportare il telescopio. Il telescopio dispone di tre diverse modalità di tracciatura:

- **EQ Nord:** utilizzata per tracciare il cielo quando il telescopio è allineato con i poli nell'Emisfero settentrionale.
- **EQ Sud:** utilizzata per tracciare il cielo quando il telescopio è allineato con i poli nell'Emisfero meridionale.
- **Off:** quando si usa il telescopio per l'osservazione terrestre (paesaggio), la tracciatura può essere spenta in modo che il telescopio non si muova.

Velocità di tracciatura: oltre a essere in grado di spostare il telescopio con i tasti del controllo manuale, il telescopio tratterà continuamente un oggetto celeste durante il suo spostamento nel cielo notturno. La velocità di tracciatura può essere modificata a seconda del tipo di oggetto in corso di osservazione:

- **Siderale:** questa velocità compensa la rotazione della Terra spostando il telescopio alla stessa velocità della rotazione terrestre, ma in direzione opposta. Quando il telescopio è allineato polarmente, ciò può essere eseguito spostando il telescopio solamente in ascensione retta.
- **Lunare:** utilizzata per la tracciatura della Luna durante l'osservazione del paesaggio lunare.
- **Solare:** utilizzata per la tracciatura del Sole durante l'osservazione solare con il filtro appropriato.

Menu Visualizza ora-posizione

Questo menu visualizza l'ora corrente e la longitudine/latitudine scaricate dal ricevitore GPS opzionale SkySync. Visualizzerà anche altre informazioni rilevanti ora-posizione come il fuso orario, l'ora legale e l'ora locale siderale. L'ora locale siderale (LST) è utile per conoscere l'ascensione retta degli oggetti celestiali che sono situati sul Meridiano a quell'ora. Visualizza ora-posizione visualizzerà sempre l'ora e la posizione inserita salvata più recentemente mentre si collega al GPS. Una volta ricevute le informazioni correnti, aggiornerà le informazioni visualizzate. Se il GPS è spento o non presente, il controllo manuale visualizzerà solamente l'ora e la posizione salvate per ultime.

Menu del Controllo manuale

Il menu "Controllo manuale" consente di personalizzare determinate funzionalità sul controllo manuale NexStar+. Per accedere a questo menu, premere il tasto **MENU** (n. 7 sul tastierino) e utilizzare i tasti di scorrimento per selezionare "Controllo manuale" e premere ENTER. Utilizzare i tasti di scorrimento per selezionare tra le seguenti opzioni:

- **Controllo luci:** Regola indipendentemente la luminosità del tastierino numerico e dello schermo LCD.
- **Menu di scorrimento:** Regola la velocità di scorrimento delle parole sullo schermo LCD.
- **Attiva/disattiva grassetto:** Modifica il formato del carattere visualizzato sullo schermo LCD da normale a grassetto.
- **Imposta contrasto:** Utilizzare i tasti di scorrimento per regolare il contrasto dello schermo LCD.
- **Imposta lingua:** Modifica la lingua visualizzata sullo schermo LCD.

Note: La funzionalità Imposta lingua può anche apparire la prima volta che si utilizza il nuovo controllo manuale. È anche possibile avviarla in qualsiasi momento tenendo premuto il tasto Option (con il logo Celestron) per 10 secondi durante l'accensione del telescopio.

Menu di configurazione

Configurazione ora-posizione: consente all'utente di personalizzare lo schermo del telescopio modificando i parametri di ora e posizione (quali fuso orario e ora legale).

Anti-contraccolpo: tutti gli ingranaggi meccanici hanno una certa quantità di contraccolpi o movimenti tra gli ingranaggi stessi. Questi movimenti sono evidenti per il tempo necessario a una stella per spostarsi nell'oculare una volta premuti i tasti freccia del controllo manuale (specialmente durante i cambiamenti di direzione). La funzionalità anti-contraccolpo di Advanced VX consente all'utente di compensare i contraccolpi inserendo un valore che sposta velocemente i motori di quel poco che basta per eliminare i movimenti tra gli ingranaggi. La quantità di compensazione necessaria dipende dalla velocità di rotazione selezionata; più bassa è la velocità di rotazione più tempo ci impiegherà la stella a spostarsi nell'oculare. Sono presenti due valori per ogni asse, positivo e negativo:

- Quello positivo è la quantità di compensazione applicata quando si preme il tasto al fine di far muovere rapidamente

gli ingranaggi senza una lunga pausa.

- Quello negativo è la quantità di compensazione applicata quando si rilascia il tasto, facendo tornare in motori indietro nella direzione opposta per riprendere la tracciatura.

Normalmente, entrambi i valori dovrebbero essere uguali. Sarà necessario sperimentare i valori diversi (da 0 a 99); un valore tra 20 e 50 è normalmente la soluzione ottimale per la maggior parte delle osservazioni visive, mentre un valore più elevato potrebbe essere necessario per la guida fotografica.

Per impostare il valore anti-contraccolpo, scorrere verso il basso all'opzione anti-contraccolpo e premere ENTER. Mentre si osserva un oggetto nell'oculare, osservare la reattività di ciascuno dei quattro tasti freccia. Notare in quale direzione si osserva una pausa nel movimento stellare dopo aver premuto il tasto. Lavorando con un asse per volta, regolare le impostazioni di contraccolpo a un valore sufficientemente alto da causare lo spostamento immediato senza comportare un salto pronunciato quando si preme o si rilascia il tasto. Ora, inserire gli stessi valori per entrambe le direzioni positiva e negativa. Se si nota un salto al momento del rilascio del tasto ma l'impostazione di valori inferiori comporta una pausa al premere del tasto, utilizzare il valore più alto per il positivo, ma il valore più basso per il negativo. Il telescopio si ricorderà tali valori e li utilizzerà ogni volta che sarà acceso fino al loro cambiamento.

Limiti di filtro: quando un allineamento è completo, il telescopio capisce automaticamente quali oggetti celesti si trovano sopra l'orizzonte. Di conseguenza, quando si scorre lungo gli elenchi del database (oppure si seleziona la funzione Tour), il controllo manuale visualizzerà solamente quegli oggetti che sono noti essere sopra l'orizzonte al momento dell'osservazione. È possibile personalizzare il database degli oggetti selezionando i limiti di altitudine appropriati per la propria posizione e situazione. Per esempio, se si sta osservando da una località montuosa dove l'orizzonte è parzialmente oscurato, è possibile impostare il limite di altitudine minima alla lettura +20°. Ciò garantirà che il controllo manuale visualizzi esclusivamente gli oggetti che hanno un'altitudine maggiore di 20°.

Suggerimento: Se si desidera esplorare tutto il database degli oggetti, impostare il limite di altitudine massima a 90° e il limite minimo a -90°. Ciò visualizzerà ogni oggetto presente negli elenchi del database a prescindere dal fatto che sia visibile nel cielo dalla propria posizione.

Tasti direzionali: la direzione in cui appare una stella verso cui spostare l'oculare cambia a seconda del lato del Meridiano su cui si trova il tubo del telescopio. Ciò può creare confusione specialmente quando si guida su una stella o quando si acquisiscono immagini astrali. Per compensare questo problema, la direzione dei tasti del controllo di guida può essere modificata. Per invertire la logica di pulsante del controllo manuale, premere il tasto MENU e selezionare Tasti direzionali dal menu Utilità. Utilizzare i tasti freccia Su/Giù (10) per selezionare la direzione del tasto verso azimuth (ascensione retta) oppure altitudine (declinazione) e premere ENTER. Selezionare sia positivo o negativo per entrambi gli assi e premere ENTER per salvare. Impostare la direzione del tasto azimuth in positivo farà spostare il telescopio nella stessa direzione di tracciatura del telescopio (ovvero,

verso ovest). Impostare i tasti di altitudine verso positivo sposterà il telescopio in senso antiorario lungo l'asse di DECLINAZIONE. **Approccio VaiA:** consente all'utente di definire la direzione verso cui si dirigerà il telescopio quando ruota verso un oggetto. Ciò consentirà all'utente di ridurre al minimo gli effetti del contraccolpo durante la rotazione da oggetto a oggetto. Proprio come accade per i Tasti direzionali, l'impostazione dell'Approccio VaiA al positivo farà sì che il telescopio si diriga verso un oggetto dalla stessa direzione di tracciatura (ovest) per l'azimuth e in senso antiorario per la declinazione. L'approccio VaiA declinazione si applicherà esclusivamente mentre il tubo del telescopio si trova su un lato del meridiano. Una volta che il tubo passerà all'altro lato del meridiano, l'approccio VaiA dovrà essere invertito.

Per modificare la direzione dell'approccio VaiA, scegliere semplicemente Approccio VaiA dal menu Configurazione, selezionare approccio Altitudine o Azimuth, scegliere positivo o negativo e premere ENTER.

Suggerimento: Al fine di ridurre al minimo l'effetto di contraccolpo degli ingranaggi sulla precisione di puntamento, le impostazioni per i Tasti direzionali devono idealmente corrispondere alle impostazioni dell'Approccio VaiA. Per impostazione predefinita, i tasti direzionali su e destra per centrare le stelle di allineamento elimineranno automaticamente gran parte del contraccolpo negli ingranaggi. Se di modifica l'approccio VaiA del proprio telescopio, non è necessario modificare anche i Tasti direzionali. Prendere semplicemente nota della direzione in cui si sposta il telescopio al completamento dell'approccio VaiA finale. Se il telescopio si dirige verso la stella di allineamento partendo da ovest (azimuth negativo) e in senso orario (altitudine negativa), assicurarsi quindi che i tasti utilizzando per centrare la stella di allineamento si spostino altresì il telescopio nelle stesse direzioni.

Velocità di guida automatica: consente all'utente di impostare una velocità di guida automatica come percentuale della velocità siderale. Questo è utile al momento di calibrare il telescopio a una guida automatica CCD per l'acquisizione di immagini astrali a lunga esposizione.

Orientamento OTA (Gruppo tubo ottico): alcuni utenti potrebbero voler utilizzare un adattatore a barra doppia opzionale che consente di collegare contemporaneamente due tubi ottici alla montatura. Quando la maggior parte delle barre doppia sono collegate a una montatura, i tubi ottici sono posizionati a un angolo di 90° dalla configurazione standard. Al fine di allineare correttamente la montatura alle stelle, è necessario sapere quale barra doppia si sta utilizzando e in quale direzione il/i tubo/i ottico/i è/sono posizionati (est o ovest) al momento dell'inizio dell'allineamento. L'opzione doppia deve essere impostata prima di iniziare qualsiasi allineamento di stelle iniziale. Per impostare quest'opzione, andare al menu Configurazione, selezionare l'opzione Doppia e premere ENTER. Quindi selezionare una delle seguenti opzioni:

- **Est:** se i tubi ottici collegati sono rivolti verso est; quando i segni di indicizzazione della declinazione sono allineati, selezionare Est.
- **Ovest:** se i tubi ottici collegati sono rivolti verso ovest; quando i segni di indicizzazione della declinazione sono allineati, selezionare Ovest.

- **Normale:** se la barra doppia non è più in uso, selezionare "normale" per spegnere questa funzionalità.

Meridiano: questa funzionalità fornisce istruzioni alla montatura su come rispondere quando ruota verso oggetti accessibili da entrambi i lati del meridiano. La funzionalità Meridiano consente al tubo del telescopio di rimanere su un lato desiderato della montatura durante la rotazione, e di continuare a tracciare in base ai limiti di rotazione di R.A. che l'utente ha impostato. Vedere i limiti di R.A. indicati di seguito. La funzionalità Meridiano consente quattro opzioni:

- **Favorisci corrente:** consente alla montatura di favorire qualsiasi lato della montatura che sia attualmente montato al momento della rotazione degli oggetti vicino al meridiano. Per esempio, se i limiti di rotazione della R.A. sono impostati per consentire alla montatura di eseguire la tracciatura di 10° oltre al meridiano, allora il telescopio continuerà a rimanere sul lato corrente del meridiano al momento della rotazione verso oggetti che sono distanti 10° oltre il meridiano.
- **Favorisci ovest:** se l'oggetto obiettivo è accessibile da entrambi i lati della montatura, selezionando "Favorisci ovest" si istruisce la montatura a puntare l'oggetto come se fosse sul lato ovest del meridiano. Il tubo ottico si posizionerà quindi sul lato est della montatura puntando verso ovest.
- **Favorisci est:** se l'oggetto obiettivo è accessibile da entrambi i lati della montatura, selezionando "Favorisci est" si istruisce la montatura a puntare l'oggetto come se fosse sul lato est del meridiano. Il tubo ottico si posizionerà quindi sul lato ovest della montatura puntando verso est.
- **Disabilita:** questa è l'impostazione predefinita, che fornisce istruzioni alla montatura per oscillare sempre verso l'altro lato del pilastro secondo quanto richiesto per visualizzare oggetti sul lato opposto del meridiano. Tuttavia, una volta raggiunto l'oggetto desiderato, la montatura continuerà a eseguire la tracciatura oltre il meridiano, in base ai limiti di rotazione della R.A. impostati.

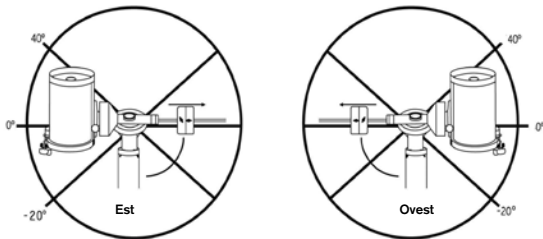
Impostazioni della montatura: una volta calibrate le impostazioni della montatura (vedere la sezione Utilità qui di seguito) i valori sono salvati e visualizzati nel controllo manuale. Non si consiglia di modificare i valori di calibrazione. Tuttavia ciascuna impostazione può essere modificata se necessario per migliorare le prestazioni del telescopio.

- **Valore cono:** questo è il valore di errore del cono impostato quando viene selezionato Utilità/Calibra montatura/Interruttore DEC – Cono.
- **Indice DEC:** si tratta del valore di errore di indicizzazione della declinazione che è salvato al momento dell'aggiunta di stelle di calibrazione dopo l'allineamento di stelle iniziale.
- **Indice R.A.:** questo è il valore di errore di indicizzazione della R.A. impostato quando viene selezionato Utilità/Calibra montatura/Interruttore R.A.

Limiti R.A.: imposta i limiti entro i quali il telescopio può ruotare o eseguire la tracciatura in Ascensione retta (R.A.) prima di arrestarsi. I limiti di rotazione sono rappresentati in gradi e per impostazione predefinita sono impostati a 0° essendo la posizione del telescopio quando la barra di contrappeso è estesa orizzontalmente. Tuttavia, i limiti di rotazione possono essere personalizzati a seconda delle esigenze. Per esempio, se si sta utilizzando l'attrezzatura per

immagini CCD che dispone di cavi non sufficientemente lunghi da spostarsi con il telescopio man mano che ruota nel cielo, è possibile regolare i limiti di rotazione sul lato della montatura che è limitata dai cavi, e comandare la montatura di interrompere la rotazione prima di raggiungere tale punto. Oppure, se si sta acquisendo un'immagine di un oggetto che ha appena valicato il meridiano, è possibile impostare il limite per consentire alla montatura di continuare a eseguire la tracciatura nella stessa direzione oltre al meridiano senza la necessità di "capovolgere" il telescopio sul lato opposto della montatura (vedere la funzionalità meridiano di cui sopra). Utilizzando il primo esempio di cui sopra, l'utente può far ruotare il telescopio in R.A. (azimut) fino a raggiungere il punto in cui i cavi sono estesi al massimo. Quindi, visualizzando l'azimut del telescopio in questa posizione (guardando Ottieni posizione asse al menu Utilità), è possibile determinare l'azimut del telescopio nella sua posizione più estesa. Inserire la lettura dell'azimut per il limite di rotazione massimo o minimo dell'azimut per garantire che il telescopio non ruoti oltre tale punto. I limiti di rotazione del telescopio possono essere impostati per arrestarsi automaticamente in qualsiasi punto tra i 40° sopra il livello e i 20° sotto il livello. Per impostare i limiti di rotazione della R.A. selezionare quanto segue:

- **Limite Est R.A.:** inserire un numero tra +40° e -20° per definire il limite di rotazione quando il tubo si trova sul lato est della montatura.
- **Limite Ovest R.A.:** inserire un numero tra +40° e -20° per definire il limite di rotazione quando il tubo si trova sul lato ovest della montatura.
- **Disabilita limiti:** questo disabilita eventuali valori predefiniti che sono stati inseriti e consente alla montatura di eseguire la tracciatura per la quantità massima oltre il meridiano (ovvero, -20° su entrambi i lati).



Attenzione: Affinché il telescopio sia in grado di ruotare in direzione di una stella nella direzione che riduce al minimo la quantità di contraccolpi negli ingranaggi, potrebbe essere necessario far ruotare il telescopio oltre il limite di rotazione specificato al fine di raggiungere la stessa dalla direzione corretta. Questo può limitare la capacità di rotazione verso un oggetto di almeno 6° dal limite di rotazione della R.A. impostato nel controllo manuale. Se ciò dovesse rivelarsi un problema, la direzione che il telescopio segue per centrare un oggetto può essere modificata. Per modificare la direzione di rotazione del telescopio, vedere Approccio VaiA al menu Configurazione.

Velocità personalizzata 9: consente all'utente di personalizzare la velocità con cui la montatura ruota verso l'obiettivo. È possibile impostare gli assi di R.A. e Dec individualmente.

Menu Utilità

Scorrendo lungo le opzioni del MENU (9) si accederà anche a varie funzioni di utilità avanzate per il telescopio quali: calibra montatura, ibernazione e molte altre.

Calibra montatura: al fine di ottimizzare le prestazioni e la precisione di puntamento del telescopio, la montatura è dotata di routine di calibrazione integrate che le consentono di compensare le variazioni meccaniche inerenti a ogni montatura equatoriale alla tedesca. Ogni calibrazione è completamente automatica e nella maggior parte dei casi è necessario eseguirla solamente una volta. Si consiglia caldamente di impiegare qualche minuto per leggere le procedure di calibrazione della montatura.

- **Interruttore R.A.:** questa procedura registra l'errore di offset quando il segno di indicizzazione dell'ascensione retta è allineato all'avvio. La calibrazione dell'indice di R.A. migliorerà la precisione degli allineamenti di stelle iniziali al momento dell'allineamento futuro del telescopio.
- **Calibrazione VaiA:** la Calibrazione VaiA è uno strumento utile al momento del collegamento di pesanti accessori visivi o fotografici al telescopio. La Calibrazione VaiA calcola la quantità di distanza e il tempo impiegato dalla montatura per completare la sua rotazione VaiA finale quando ruota verso un oggetto. Modificando il bilanciamento del telescopio è possibile prolungare il tempo impiegato per completare la rotazione finale. La Calibrazione VaiA tiene in considerazione eventuali leggeri squilibri e modifiche da compensare nella distanza VaiA finale.

Posizione iniziale: la posizione "iniziale" del telescopio è una posizione definibile dall'utente utilizzata per conservare il telescopio quando non è in uso. La posizione iniziale è utile al momento della conservazione del telescopio in una struttura di osservazione permanente. Per impostazione predefinita, la posizione iniziale è uguale alla posizione di indicizzazione utilizzata al momento dell'allineamento della montatura.

Per impostare la posizione iniziale della montatura, utilizzare semplicemente i tasti freccia sul controllo manuale per spostare la montatura del telescopio alla posizione desiderata. Selezionare l'opzione Imposta e premere Enter.

Selezionare l'opzione VaiA per ruotare il telescopio alla posizione iniziale in qualsiasi momento.

Impostazioni di fabbrica: ripristina il controllo manuale alle impostazioni di fabbrica originali. I parametri quali i valori di compensazione contraccolpi, la data e l'ora iniziali, la longitudine/latitudine, e i limiti di filtraggio e rotazione saranno azzerati. Tuttavia, i parametri salvati quali gli oggetti definiti dall'utente, rimarranno salvati anche una volta selezionate le Impostazioni di fabbrica. Il controllo manuale chiederà di premere il tasto "0" prima di tornare alle impostazioni predefinite di fabbrica.

Versione: selezionando quest'opzione l'utente potrà vedere il numero di versione corrente del controllo manuale e del controllo motore. La prima serie di numeri indica la versione del software del controllo manuale. Per il controllo motore, il controllo manuale visualizzerà due serie di numeri: la prima serie di numeri è per l'azimut mentre la seconda è per l'altitudine.

Ottieni posizione asse: visualizza la relativa altitudine e

l'azimut per la posizione corrente del telescopio.

VaiA posizione asse: consente all'utente di inserire una posizione specifica relativa all'altitudine e all'azimut e di far ruotare il telescopio verso essa.

Ibernazione: l'ibernazione consente di spegnere completamente il telescopio e di mantenerne comunque l'allineamento al momento della riaccensione. Questo non solo risparmia energia, ma è ideale per coloro che tengono il proprio telescopio montato permanentemente o lo lasciano in una posizione per lunghi periodi di tempo. Per mettere il telescopio in modalità Ibernazione:

1. Selezionare Ibernazione dal menu Utilità.
2. Spostare il telescopio in una posizione desiderata e premere ENTER.
3. Spegner il telescopio. Ricordarsi di non spostare mai il telescopio manualmente mentre è in modalità Ibernazione.

Una volta riacceso il telescopio, lo schermo visualizzerà la dicitura Sveglia. Dopo aver premuto Enter, l'utente ha la possibilità di scorrere lungo le informazioni di ora/posizione per confermare le impostazioni correnti. Premere ENTER per svegliare il telescopio.

Suggerimento: Premendo BACK alla schermata di Sveglia, l'utente può esplorare molte altre funzionalità del controllo manuale senza svegliare il telescopio dalla modalità ibernazione. Per svegliare il telescopio dopo aver premuto il tasto BACK, selezionare Ibernazione dal menu Utilità e premere ENTER. Non utilizzare i tasti direzionali per spostare il telescopio mentre è in modalità ibernazione.

Menu Sole

Per ragioni di sicurezza, il Sole non sarà visualizzato tra gli oggetti presenti nel database a meno che non sia prima abilitato. Per abilitare il Sole, andare al menu Sole e premere ENTER. Il Sole sarà quindi visualizzato nel catalogo dei Pianeti e può essere utilizzato come oggetto di allineamento quando si utilizza il metodo di allineamento del Sistema Solare. Per rimuovere il Sole dagli oggetti visualizzati sul controllo manuale, selezionare ancora una volta il Menu Sole dal menu Utilità e premere ENTER.

Imposta posizione montatura

Il menu Imposta posizione montatura può essere utilizzato per mantenere l'allineamento in caso si desideri sganciare le frizioni o situazioni simili. Per esempio, è possibile utilizzare questa funzionalità se si desidera bilanciare nuovamente la montatura dopo aver completato un allineamento. Per impostare la posizione della montatura, farla semplicemente scorrere verso una stella luminosa contenuta nell'elenco delle stelle aventi un nome e selezionare Imposta posizione montatura. Il controllo manuale si sincronizzerà sulla stella chiedendo all'utente di centrare la stella nell'oculare e di premere il tasto Align. Una volta sincronizzato alla stella, l'utente è libero di spostare manualmente la montatura su entrambi gli assi per bilanciare nuovamente la montatura. Quando si è pronto a far ruotare il telescopio all'oggetto successivo, ricordarsi di far ritornare manualmente il tubo alla stessa stella luminosa e di centrarla nell'oculare. L'uso di questo strumento invaliderà l'indice PEC.

Accendi/Spegni GPS: se si utilizza il telescopio con

l'accessorio GPS SkySync opzionale, sarà necessario accendere il GPS la prima volta che si usa l'accessorio. Se si desidera utilizzare il database del telescopio per trovare le coordinate di un oggetto celeste per date passate o future, sarà necessario spegnere il GPS al fine di inserire manualmente un'ora diversa da quella presente.

Accendi/spegni RTC: consente all'utente di spegnere l'orologio in tempo reale interno del telescopio. Al momento dell'allineamento, il telescopio riceve ancora le informazioni dal RTC. Se si desidera utilizzare il database del controllo manuale per trovare le coordinate di un oggetto celeste per date passate o future, sarà necessario spegnere il RTC al fine di inserire manualmente un'ora diversa da quella presente.

Correzione errore periodico (PEC): la PEC è ideata per migliorare la qualità fotografica riducendo l'ampiezza degli errori degli ingranaggi a vite senza fine e migliorando la precisione di tracciatura del motore. Questa funzionalità è dedicata alla fotografia astrale avanzata ed è utilizzata quando il telescopio è allineato precisamente ai poli. Per maggiori informazioni sull'uso della PEC, fare riferimento alla sezione del manuale dedicate all'"Acquisizione di immagini astrali".

Menu oggetti utente

Il telescopio può salvare fino a 400 diversi oggetti definite dall'utente nella sua memoria. Gli oggetti possono essere oggetti terrestri diurni oppure un interessante oggetto celeste scoperto che non è incluso nel database regolare. Esistono vari modi per salvare un oggetto nella memoria a seconda di quale tipologia di oggetto si tratta:

Oggetto VaiA: Per andare verso qualsiasi oggetti definite dall'utente salvato nel database, scorrere in "VaiA oggetto del cielo" oppure "VaiA oggetto terrestre" e inserire il numero dell'oggetto che si desidera selezionare e premere ENTER. Il telescopio recupererà automaticamente e visualizzerà le coordinate prima di ruotare in direzione di tale oggetto.

Salva oggetto del cielo: Il telescopio salva oggetti celesti nel proprio database salvando le relative coordinate di ascensione retta e di declinazione nel cielo. In questo modo lo stesso oggetto può essere trovato ogni volta che il telescopio è allineato. Una volta centrato l'oggetto desiderato nell'oculare, scorrere semplicemente al comando "Salva oggetto del cielo" e premere ENTER. Lo schermo chiederà all'utente di inserire un numero tra 1 e 200 per identificare l'oggetto. Premere ENTER nuovamente per salvare l'oggetto nel database.

Salva database (Db)

- **Oggetto:** Questa funzionalità consente di creare il proprio tour personalizzato degli oggetti del database consentendo all'utente di registrare la posizione corrente del telescopio e di salvare il nome dell'oggetto selezionandolo da uno qualsiasi dei cataloghi del database. Sarà poi possibile accedere a questi oggetti selezionando VaiA oggetto del cielo.
- **Inserisci R.A. – Dec:** È altresì possibile salvare una serie specifica di coordinate per un oggetto semplicemente inserendo la R.A. e la declinazione per tale oggetto. Scorrere al comando "Inserisci RA-DEC" e premere ENTER. Lo schermo chiederà quindi all'utente di inserire prima la R.A. e quindi la declinazione dell'oggetto desiderato.

- **Salva oggetto terrestre:** Il telescopio può altresì essere utilizzato come cannocchiale per oggetti terrestri. Oggetti terrestri fissi possono essere salvati salvando l'altitudine e l'azimut relativi alla posizione del telescopio al momento dell'osservazione. Dal momento che tali oggetti sono relativi alla posizione del telescopio, essi sono validi esclusivamente per tale posizione esatta. Per salvare oggetti terrestri, centrare ancora una volta l'oggetto desiderato nell'oculare. Scorrere al comando "Salva oggetto terrestre" e premere ENTER. Lo schermo chiederà all'utente di inserire un numero tra 1 e 200 per identificare l'oggetto. Premere ENTER nuovamente per salvare l'oggetto nel database.

Per sostituire i contenuti di qualsiasi oggetto definito dall'utente, salvare semplicemente un nuovo oggetto utilizzando uno dei numeri di identificazione esistenti; il telescopio sostituirà gli oggetti definiti dall'utente precedenti con quello attuale.

Ottieni R.A./DEC: visualizza l'ascensione retta e la declinazione per la posizione corrente del telescopio.

VaiA R.A./Dec: consente di inserire una R.A. specifica e una declinazione di ruotare in direzione di essa.

Suggerimento: Per salvare una serie di coordinate (R.A./Dec) in modo permanente nel database, salvarle come oggetti definito dall'utente come descritto sopra.

Identify (Identifica)

La modalità Identify cercherà uno qualsiasi dei cataloghi o degli elenchi del database della montatura e visualizzerà il nome e le distanze offset degli oggetti corrispondenti più vicini. Questa funzionalità può essere utilizzata per due scopi. Per prima cosa, può essere utilizzata per identificare un oggetto sconosciuto nel campo di visualizzazione dell'oculare. Inoltre, la modalità Identify può essere utilizzata per trovare altri oggetti celesti che sono visini agli oggetti attualmente in corso di osservazione. Per esempio, se il telescopio è puntato verso la stella più luminosa nella costellazione di Lira, scegliere il tasto Identify e quindi cercare nel catalogo delle Stelle aventi un nome ritornerà senza dubbio alla stella Vega come stella di osservazione. Tuttavia, selezionando Identify e cercando nei cataloghi Messier o degli oggetti aventi un nome, il controllo manuale consentirà all'utente di sapere che la Nebulosa Anello (M57) si trova a circa 6° dalla posizione corrente. Cercando nel catalogo delle Stelle Doppie rivelerà che la Epsilon Lira si trova solamente a una distanza di 1° da Vega. Per utilizzare la funzionalità Identify:

- Premere il tasto Menu e selezionare l'opzione Identify.
- Utilizzare i tasti di scorrimento Su/Giù per selezionare il catalogo in cui si desidera cercare.
- Premere ENTER per iniziare la ricerca.

Nota: Alcuni database contengono migliaia di oggetti e possono pertanto impiegare vari minuti per ritornare all'oggetto più vicino.

VaiA di precisione

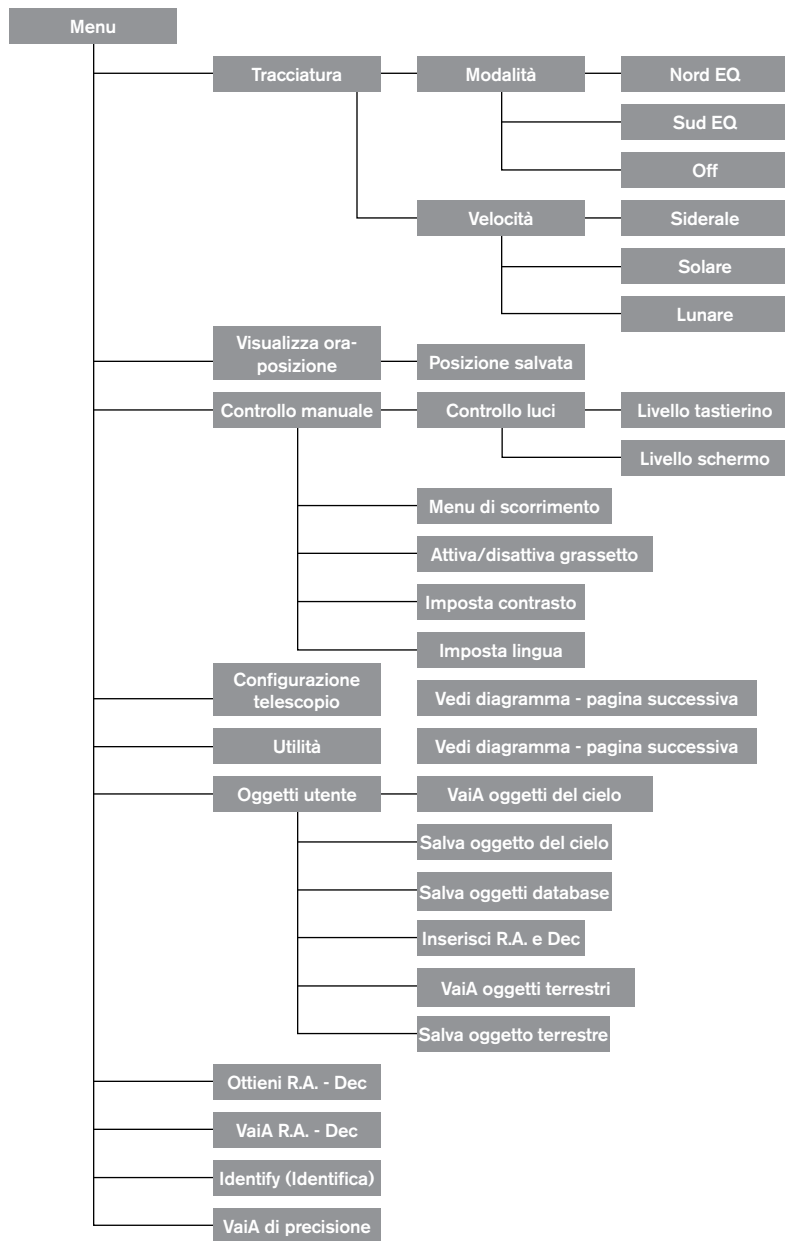
La montatura è dotata di una funzione VaiA di precisione che può assistere nel trovare oggetti estremamente deboli e nel

centrare gli oggetti più vicino al centro del campo visivo per l'acquisizione di immagini astrali. Il VaiA di precisione cerca automaticamente la stella luminosa più vicina all'oggetto desiderato e chiede all'utente di centrare con attenzione la stella nell'oculare. Il controllo manuale calcola quindi la piccola differenza tra la posizione VaiA e la posizione centrata. Utilizzando questo offset, la montatura ruoterà quindi all'oggetti desiderato con una precisione migliorata.

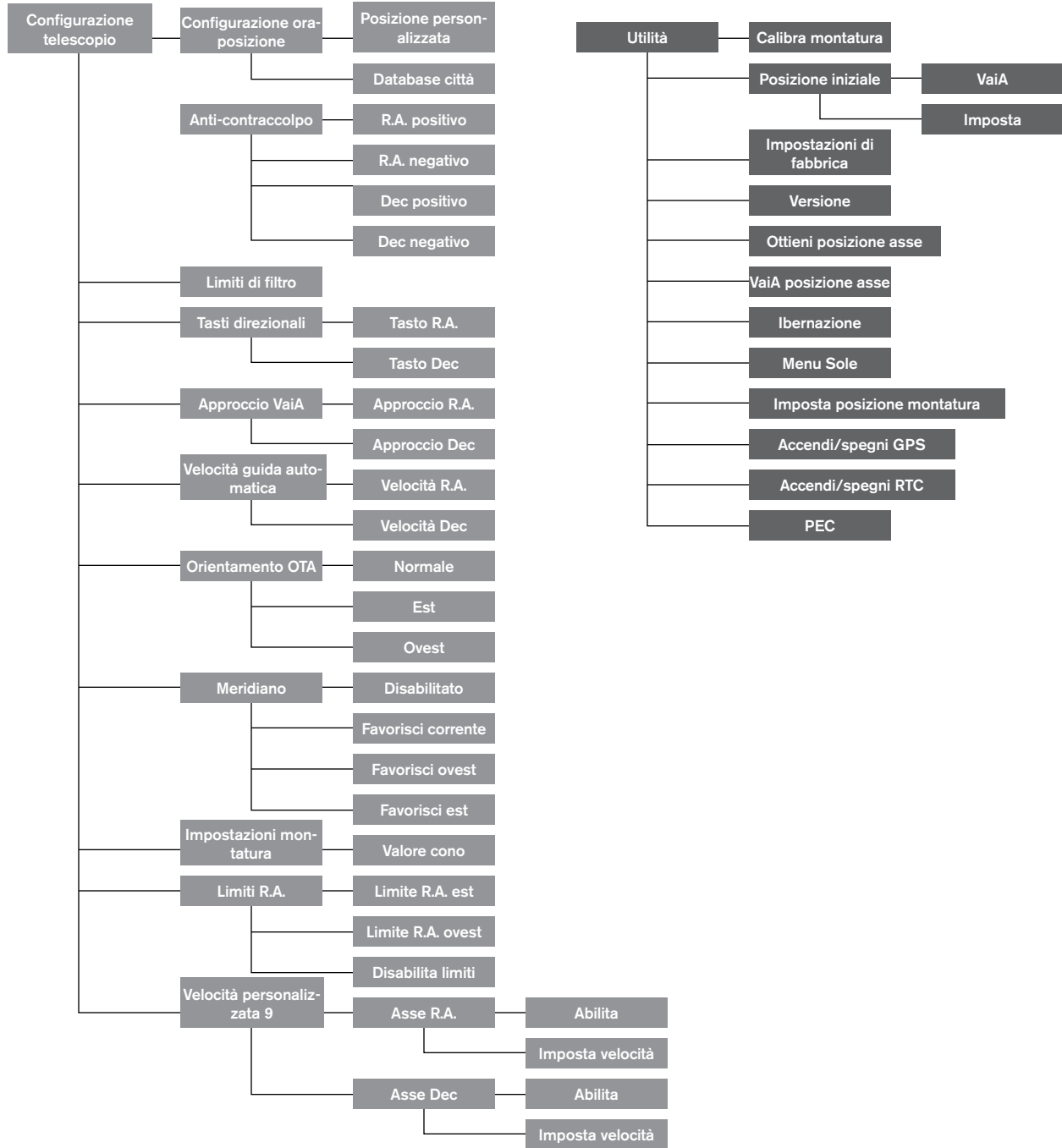
Per utilizzare il VaiA di precisione:

1. Premere il tasto MENU e utilizzare i tasti Su/Giù per selezionare il VaiA di precisione.
 - Scegliere il database da cui selezionare l'oggetto che si desidera osservare da uno qualsiasi dei cataloghi elencati nel database; oppure;
 - Scegliere R.A./DEC per inserire una serie di coordinate celesti verso cui si desidera far ruotare la montatura.
2. Una volta selezionato l'oggetto desiderato, il controllo manuale cercherà e visualizzerà la stella luminosa più vicina all'oggetto desiderato. Premere ENTER per ruotare verso la stella di allineamento luminosa.
3. Utilizzare i tasti direzionali per centrare con attenzione la stella di allineamento nell'oculare.
4. Premere ENTER per ruotare verso l'oggetto desiderato.

Struttura del menu principale di Advanced VX



Struttura del menu principale di Advanced VX



Gruppi del tubo ottico

A seconda del kit per telescopio acquistato, è possibile aver ricevuto uno dei seguenti tubi ottici. La presente sezione del manuale guiderà l'utente attraverso la configurazione delle tipologie di base.

Kit n.	22020	32054	32062	12031
Design ottico	Rifratore	Newtoniano	Newtoniano	Edge HD
Diametro	6" (150mm)	6" (150mm)	8" (200mm)	8" (203mm)
Lunghezza focale	1200mm f/8	750mm f/5	1.000mm f/5	2.032mm f/10
Oculare	20mm (60x) - 1,25" (3,1 cm)	20mm (38x) - 1,25" (3,1 cm)	20mm (50x) - 1,25" (3,1 cm)	40mm (51x) - 1,25" (3,1 cm)
Cercatore di stelle	9x50	6x30	9x50	9x50
Diagonale stellare	90° - 1,25" (228,5 cm- 3,1 cm)	-	-	90° - 1,25" (228,5 cm- 3,1 cm)
Montatura	Advanced VX	Advanced VX	Advanced VX	Advanced VX
Treppiede	In acciaio inox da 2" (5 cm)	In acciaio inox da 2" (5 cm)	In acciaio inox da 2" (5 cm)	In acciaio inox da 2" (5 cm)
Contrappesi	2x 12 lb (5,5 Kg)	1x 12 lb (5,5 Kg)	2x 12 lb (5,5 Kg)	1x 12 lb (5,5 Kg)
Lunghezza del tubo	51" (128 cm)	27" (69 cm)	27" (69 cm)	17" (43 cm)
Peso del tubo	19 lb (8,6 Kg)	10 lb (4,5 Kg)	14 lb (6,3 Kg)	13 lb (5,8 Kg)

Kit n.	12025	12079	12026	12046
Design ottico	Schmidt-Cassegrain	Schmidt-Cassegrain	Schmidt-Cassegrain	Schmidt-Cassegrain
Diametro	5" (125mm)	6" (150mm)	8" (203mm)	9-1/4" (235mm)
Lunghezza focale	1250mm f/10	1.500mm f/10	2.032mm f/10	2.350mm f/10
Oculare	25mm (50x) - 1,25"	20mm (75x) - 1,25"	25mm (81x) - 1,25"	25mm (94x) - 1,25"
Cercatore di stelle	6x30	6x30	6x30	6x30
Diagonale stellare	90° - 1,25" (228,5 cm- 3,1 cm)	90° - 1,25" (228,5 cm- 3,1 cm)	90° - 1,25" (228,5 cm- 3,1 cm)	90° - 1,25" (228,5 cm- 3,1 cm)
Montatura	Advanced VX	Advanced VX	Advanced VX	Advanced VX
Treppiede	In acciaio inox da 2" (5 cm)	In acciaio inox da 2" (5 cm)	In acciaio inox da 2" (5 cm)	In acciaio inox da 2" (5 cm)
Contrappesi	1x 12 lbs (5,5 Kg)	1x 12 lbs (5,5 Kg)	1x 12 lbs (5,5 Kg)	2x 12 lbs (5,5 Kg)
Lunghezza del tubo	13" (33 cm)	16" (40 cm)	17" (43 cm)	22" (56 cm)
Peso del tubo	10 lb (4,5 Kg)	10 lb (4,5 Kg)	12 lb (5,5 Kg)	21 lb (9,5 Kg)

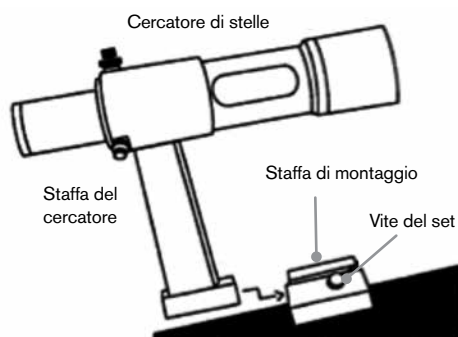
Kit n.	12067
Design ottico	Schmidt-Cassegrain
Diametro	11" (280mm)
Lunghezza focale	2.800mm f/10
Oculare	40mm (70x) - 1,25"
Cercatore di stelle	9x50
Diagonale stellare	90° - 1,25" (228,5 cm- 3,1 cm)
Montatura	Advanced VX
Treppiede	In acciaio inox da 2" (5 cm)
Contrappesi	3x 12 lbs (5,5 Kg)
Lunghezza del tubo	24" (61 cm)
Peso del tubo	28 lb (12,7 Kg)

Configurazione del rifrattore (n. 21020)

Installazione del cercatore di stelle

Per installare il cercatore di stelle sul telescopio, è necessario montare prima il cercatore di stelle nella staffa del cercatore e quindi collegarlo al telescopio. Verso il retro del tubo del telescopio, vicino al gruppo di messa a fuoco, è presente una piccola staffa con una vite. Quello è il punto in cui la staffa del cercatore di stelle sarà montata. Per installare il cercatore di stelle:

1. Far scorrere l'anello in gomma sopra l'estremità dell'oculare del cercatore di stelle e infilarlo per i 2/3 del cercatore di stelle.
2. Inserire l'estremità dell'oculare del cercatore di stelle nella staffa fino a quando l'anello preme fermamente tra il cercatore e l'interno della staffa.

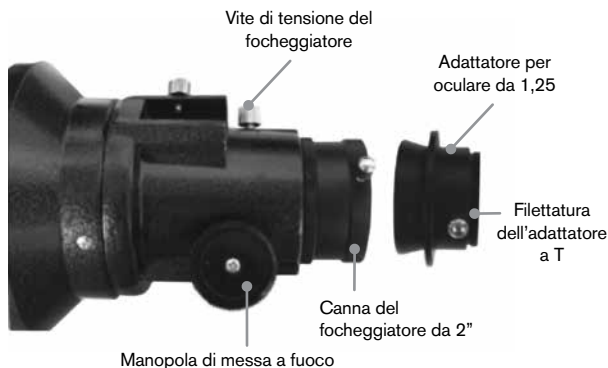


3. Serrare le viti di regolazione fino a farle entrare in contatto con il corpo del cercatore di stelle.
4. Posizionare la staffa di montaggio in prossimità dell'estremità posteriore (aperta) del telescopio.
5. Allentare le viti sulla staffa di montaggio del telescopio.
6. Far scorrere la staffa del cercatore (collegata al cercatore di stelle) nella staffa di montaggio sul telescopio.
7. La staffa del cercatore di stelle scorrerà dentro partendo dal retro. Il cercatore di stelle deve essere orientato in modo che le lenti obiettivo siano rivolte verso l'estremità frontale (aperta) del telescopio.
8. Serrare la vite sulla staffa di montaggio per tenere il cercatore di stelle in posizione

Installazione degli oculari

L'oculare è un elemento ottico che ingrandisce l'immagine messa a fuoco dal telescopio. Senza l'oculare, sarebbe impossibile utilizzare il telescopio visivamente. L'oculare si adatta direttamente nel focheggiatore. Per collegare un oculare:

1. Allentare la vite sull'adattatore dell'oculare in modo che non ostruisca il diametro interno della canna.
2. Far scorrere la porzione cromata dell'oculare nel focheggiatore.
3. Serrare la vite di fissaggio per mantenere l'oculare in posizione.



Per rimuovere l'oculare, allentare la vite di fissaggio sul focheggiatore e far scorrere l'oculare verso l'esterno. È possibile sostituirlo con un altro oculare.

Agli oculari ci si riferisce comunemente mediante la lunghezza focale e il diametro della canna. La lunghezza focale di ciascun oculare è stampata sulla canna dell'oculare stesso. Maggiore è la lunghezza focale (ovvero, più alto è il numero), minore sarà l'ingrandimento dell'oculare (ovvero, la potenza). Minore è la lunghezza focale (ovvero, più piccolo è il numero), maggiore sarà l'ingrandimento dell'oculare. Normalmente, durante l'osservazione si utilizzerà una potenza da bassa a moderata.

Il telescopio rifrattore può utilizzare oculari con diametri della canna di 1,25" e 2". Per utilizzare un oculare della canna da 2", l'adattatore dell'oculare da 1,25" deve essere prima rimosso. Per fare questo, allentare semplicemente le due viti cromate situate attorno alla canna del focheggiatore e rimuovere l'adattatore da 1 1/4". Una volta rimosso, un oculare da 2" o un accessorio può essere inserito direttamente nella canna del focheggiatore e fissato con due viti.

Il telescopio è dotato di una diagonale stellare da 1,25". Questa diagonale può essere inserita nell'estremità dell'adattatore da 1,25" consentendo all'utente di utilizzare oculari da 1,25" a un'angolazione più confortevole durante le osservazioni vicine allo zenit.

Configurazione del rifrattore Newtoniano (n. 32054 e 32062)

Installazione del cercatore di stelle

Per installare il cercatore di stelle sul telescopio, è necessario montare prima il cercatore di stelle nella staffa del cercatore e quindi collegarlo al telescopio. Verso la parte frontale del tubo del telescopio, vicino al gruppo di messa a fuoco, è presente una piccola staffa con una vite. Quello è il punto in cui la staffa del cercatore di stelle sarà montata. Per installare il cercatore di stelle:

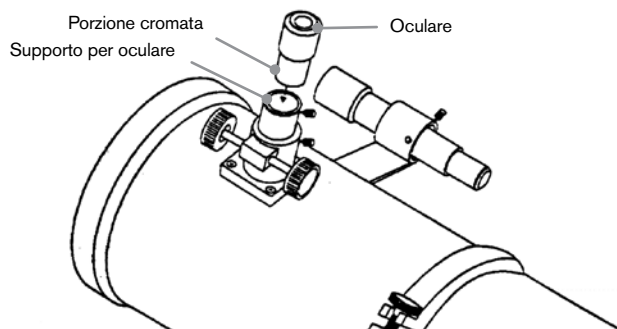
1. Far scorrere l'anello in gomma sopra l'estremità dell'oculare del cercatore di stelle e infilarlo per i 2/3 del cercatore di stelle.
2. Inserire l'estremità dell'oculare del cercatore di stelle nella staffa fino a quando l'anello preme fermamente tra il cercatore e l'interno della staffa.
3. Serrare le viti di regolazione fino a farle entrare in contatto con il corpo del cercatore di stelle.

4. Posizionare la staffa di montaggio in prossimità dell'estremità anteriore (aperta) del telescopio.
5. Allentare le viti sulla staffa di montaggio del telescopio.
6. Far scorrere la staffa del cercatore (collegata al cercatore di stelle) nella staffa di montaggio sul telescopio.
7. La staffa del cercatore di stelle scorrerà dentro partendo dal retro. Il cercatore di stelle deve essere orientato in modo che le lenti obiettivo siano rivolte verso l'estremità frontale (aperta) del telescopio.
8. Serrare la vite sulla staffa di montaggio per tenere il cercatore di stelle in posizione.

Installazione degli oculari

L'oculare è un elemento ottico che ingrandisce l'immagine messa a fuoco dal telescopio. Senza l'oculare, sarebbe impossibile utilizzare il telescopio visivamente. L'oculare si adatta direttamente nel supporto dell'oculare. Per collegare un oculare:

1. Allentare la vite sull'adattatore dell'oculare in modo che non ostruisca il diametro interno del supporto stesso.
2. Far scorrere la porzione cromata dell'oculare nel supporto per oculare.
3. Serrare la vite di fissaggio per mantenere l'oculare in posizione.



Per rimuovere l'oculare, allentare la vite di fissaggio sul supporto per oculare e far scorrere l'oculare verso l'esterno. È possibile sostituirlo con un altro oculare. Agli oculari ci si riferisce comunemente per lunghezza focale, che è stampata sulla canna dell'oculare stesso. Maggiore è la lunghezza focale (ovvero, più alto è il numero), minore sarà l'ingrandimento dell'oculare. Minore è la lunghezza focale (ovvero, più piccolo è il numero), maggiore sarà l'ingrandimento dell'oculare. Normalmente, durante l'osservazione si utilizzerà una potenza da bassa a moderata.

Se si dispone di un tubo ottico newtoniano da 8" (n. 32062), il telescopio utilizzerà oculari con diametri della canna da 1,25" e 2". Per utilizzare un oculare della canna da 2", l'adattatore dell'oculare da 1,25" deve essere prima rimosso e sostituito con l'adattatore dell'oculare da 2". Per fare questo, allentare semplicemente le due viti cromate situate attorno alla canna del focheggiatore e rimuovere l'adattatore da 1,25". Una volta rimosso, un adattatore per oculare da 2" può essere inserito direttamente nella canna del focheggiatore e fissato con due viti.

Configurazione dei tubi ottici EdgeHD e Schmidt-Cassegrain (n. 12031, 12079, 12025, 12026, 12046 e 12067)

Installare la diagonale stellare

La diagonale stellare è un prisma che devia la luce ad un angolo retto rispetto al percorso di luce del telescopio. Ciò consente di osservare da posizioni fisicamente più comode rispetto a quelle che si adotterebbero per guardare l'oggetto direttamente. Per collegare la diagonale stellare al tubo ottico:

1. Ruotare la vite sul retro visivo fino a quando la sua punta non si estenderà più all'interno (ovvero, ostruisce) il diametro interno del retro visivo.
2. Far scorrere la porzione cromata della diagonale stellare nel retro visivo.
3. Serrare la vite sul retro visivo per tenere la diagonale stellare in posizione.



In caso si desideri modificare l'orientamento della diagonale stellare, allentare la vite di fissaggio sul retro visivo fino a quando la diagonale stellare ruoterà liberamente. Ruotare la diagonale nella posizione desiderata e serrare la vite di fissaggio.

Installazione degli oculari

L'oculare è l'elemento ottico che ingrandisce l'immagine messa a fuoco dal telescopio. L'oculare si adatta sia direttamente al retro visivo sia alla diagonale stellare. Per installare l'oculare:

1. Allentare la vite sulla diagonale stellare fino a quando la punta non si estenderà più nel diametro interno dell'estremità oculare della diagonale.
2. Far scorrere la porzione cromata dell'oculare nella diagonale stellare.
3. Serrare la vite sulla diagonale stellare per tenere l'oculare in posizione.

Per rimuovere l'oculare, allentare la vite di fissaggio sulla diagonale stellare e far scorrere l'oculare verso l'esterno. È possibile sostituirlo con un altro oculare (acquistato separatamente).

Agli oculari ci si riferisce comunemente mediante la lunghezza focale e il diametro della canna. La lunghezza focale di ciascun oculare è stampata sulla canna dell'oculare stesso. Maggiore è la lunghezza focale (ovvero, più alto è il nu-

mero), minore sarà l'ingrandimento dell'oculare. Minore è la lunghezza focale (ovvero, più piccolo è il numero), maggiore sarà l'ingrandimento. Normalmente, durante l'osservazione si utilizzerà una potenza da bassa a moderata. Per maggiori informazioni sulle modalità di determinazione della potenza, vedere la sezione "Calcolo dell'ingrandimento".

Installazione del cercatore di stelle 6 x 30

I telescopi Schmidt Cassegrain da 5", 6", 8" e 9-1/4" sono dotati di cercatori di stelle 6x30 utilizzati per aiutare l'utente a individuare e centrare gli oggetti nel campo principale del telescopio. Per fare ciò, il cercatore dispone di un reticolo integrato che mostra il centro ottico del cercatore di stelle. Per installare il cercatore di stelle:

1. Collegare la staffa al tubo ottico. Per fare questo, posizionare la porzione curvata della staffa con l'alloggiamento sopra i due fori nella cella posteriore. La staffa deve essere orientata in modo che gli anelli che tengono il cercatore siano sopra il tubo del telescopio e non sopra la cella posteriore. Iniziare ad avvitare le viti manualmente e serrare completamente con un cacciavite.



2. Avvitare parzialmente le tre viti in nylon che tengono il cercatore in posizione dentro alla staffa. Serrare le viti fino a quando le teste in nylon sono a filo con il diametro interno dell'anello della staffa. NON avvitarle completamente, altrimenti interferiranno con il posizionamento del cercatore. (Avere le viti in posizione al momento dell'installazione del cercatore risulterà più semplice rispetto a tentare di inserirle una volta installato il cercatore).
3. Far scorrere l'anello in gomma sul retro del cercatore (NON si adatterà all'estremità obiettivo del cercatore). Potrebbe essere necessario allungarlo un po'. Quando ci si trova sul corpo principale del cercatore, farlo scorrere verso l'alto di circa un pollice dell'estremità del cercatore.
4. Ruotare il cercatore fino a quando un reticolo sarà parallelo all'asse R.A. e l'altro sarà parallelo all'asse DEC.
5. Far scorrere l'estremità dell'oculare del cercatore nella parte frontale della staffa.
6. Serrare leggermente le tre viti di nylon sull'anello frontale della staffa per tenere il cercatore in posizione.
7. Una volta inserito, spingere il cercatore indietro fino a quando l'anello aderirà all'interno dell'anello posteriore della staffa del cercatore.

8. Serrare a mano le tre viti di nylon fino a quando saranno aderenti.

Installazione del cercatore di stelle 9 x 50

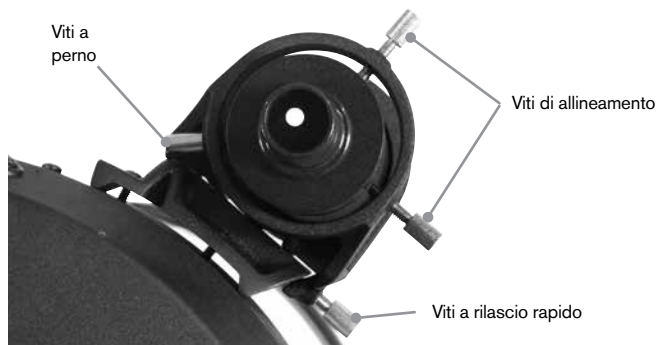
I telescopi EdgeHD da 8" e Schmidt-Cassegrain da 11" sono dotati di cercatori di stelle 9x50 utilizzati per aiutare l'utente a individuare e centrare gli oggetti nel campo principale del telescopio. Per fare ciò, il cercatore dispone di un reticolo integrato che mostra il centro ottico del cercatore di stelle. Il cercatore di stelle deve prima essere montato nella staffa a rilascio rapido in dotazione e quindi essere collegato alla cella posteriore del telescopio. Per installare il cercatore di stelle:

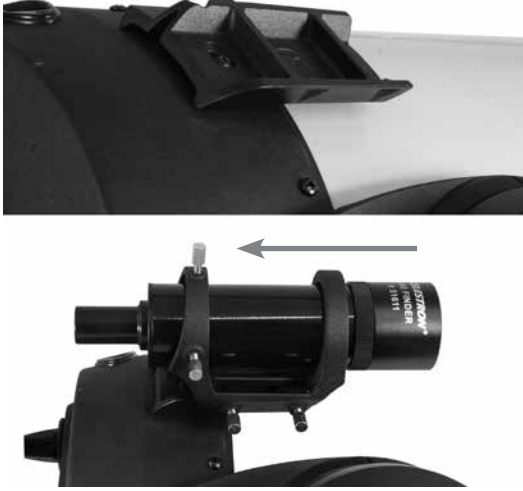
1. Individuare la staffa di montaggio del cercatore di stelle collegata alla porzione inferiore della staffa del cercatore. Allentare le due viti per far scorrere la staffa di montaggio dalla staffa del cercatore di stelle.
2. Trovare i due fori nella cella posteriore del telescopio sulla parte superiore sinistra, guardando dal retro del tubo.
3. Posizionare la staffa di montaggio sui due fori sulla cella posteriore posta sul tubo ottico.
4. Inserire le viti attraverso la staffa e nella cella posteriore.

ATTENZIONE: Se si rimuove la staffa di montaggio, non avvitare completamente le viti di nuovo nella cella posteriore del telescopio. Le viti possono essere sufficientemente lunghe da ostruire il movimento dello, e possibilmente danneggiare lo specchio principale.

Con la staffa collegata in modo sicuro al telescopio, si è pronti per collegare il cercatore alla staffa.

1. Far scorrere l'anello sulla parte posteriore del cercatore di stelle e posizionarlo sul tubo verso l'estremità obiettivo del cercatore di stelle.
2. Far scorrere l'estremità dell'oculare del cercatore di stelle nell'anello frontale della staffa (l'anello frontale è quello senza viti di regolazione), quindi attraverso l'anello posteriore. Potrebbe essere necessario spingere verso il basso la vite a perno caricato a molla in modo che il cercatore passi attraverso l'anello posteriore.
3. Spingere il cercatore indietro fino a quando l'anello aderirà all'interno dell'anello frontale della staffa del cercatore.
4. Serrare a mano le tue viti di allineamento fino a quando entreranno in contatto con il cercatore di stelle.





Allineamento del cercatore di stelle

Il cercatore di stelle è regolato utilizzando due viti di regolazione, situate sulla parte superiore destra (guardando attraverso il cercatore) della staffa del cercatore e una vite perno caricato a molla (situata sul lato sinistro della staffa). Ciò consente all'utente di ruotare la vite di regolazione superiore per spostare il cercatore di stelle su e giù e di ruotare la vite di regolazione di destra per spostare il cercatore di stelle da destra a sinistra. La vite perno caricato a molla esercita una pressione costante sul cercatore in modo che le viti di regolazione siano sempre in contatto con il cercatore.

Per rendere il processo di allineamento un po' più semplice, è necessario eseguire questa attività nelle ore diurne quando è più semplice individuare oggetti nel telescopio senza il cercatore. Per allineare il cercatore:

1. Scegliere un oggetto visibile che si trovi a più di un miglio di distanza. Ciò eliminerà eventuali possibili effetti di parallasse tra il telescopio e il cercatore.
2. Puntare il telescopio in direzione dell'oggetto selezionato e centrarlo nell'ottica principale del telescopio.
3. Bloccare le pinze dell'azimuth e dell'altitudine per tenere il telescopio in posizione.
4. Controllare il cercatore per osservare dove è situato l'oggetto nel campo visivo.
5. Regolare le viti sulla staffa del cercatore fino a quando il reticolo è centrato sull'obiettivo.

Rimozione del tappo delle lenti

I telescopi EdgeHD e Schmidt-Cassegrain utilizzano un tappo per le lenti con un meccanismo di bloccaggio a baionetta per tenerlo in posizione. Per rimuovere il tappo delle lenti, tenere il tappo fermamente e ruotare il bordo esterno in senso antiorario di $\frac{1}{2}$ " ed estrarlo.

Allineamento dell'asse polare della montatura

Scale di latitudine

Il modo più semplice per l'allineamento polare di un telescopio è utilizzando una scala di latitudine. A differenza di altri metodi che richiedono di trovare il polo celeste identificando determinate stelle nelle sue vicinanze, questo metodo impiega una costante nota per determinare l'altezza di puntamento dell'asse polare. La montatura Advanced VX può essere regolata da 7 a 77 gradi.

La costante, nominata in precedenza, è una relazione tra la latitudine dell'utente e la distanza angolare del polo celeste sopra l'orizzonte settentrionale (o meridionale); la distanza angolare dall'orizzonte settentrionale al polo nord celeste è sempre pari alla latitudine dell'utente. Per spiegare questo concetto, è necessario immaginare di stare al Polo Nord, a una latitudine di $+90^\circ$. Il polo nord celeste, che ha una declinazione di $+90^\circ$, sarebbe direttamente sopra la testa (ovvero, 90° sopra l'orizzonte). Ora, supponiamo di spostarci di un grado verso sud: la latitudine è ora di $+89^\circ$ e il polo celeste non si trova più direttamente sopra la testa. Si è spostato di un grado più vicino all'orizzonte settentrionale. Ciò significa che il polo si trova ora a 89° sopra l'orizzonte settentrionale. Se ci si sposta ancora di un grado verso sud, accade nuovamente la stessa cosa. Sarebbe necessario viaggiare per 70 miglia verso nord o sud per modificare la propria latitudine di un grado. Come è possibile notare da questo esempio, la distanza tra l'orizzonte settentrionale e il polo celeste è sempre pari alla propria latitudine.



Se si sta osservando da Los Angeles, che ha una latitudine di 34° , il polo celeste sarà quindi 34° sopra l'orizzonte settentrionale. Tutto ciò che indica una scala di latitudine è di puntare l'asse polare del telescopio all'elevazione destra sopra l'orizzonte settentrionale (o meridionale). Per allineare il telescopio:

1. Assicurarsi che l'asse polare della montatura sia puntato verso nord. Utilizzare un segno terrestre che faccia capire che si è rivolti verso nord.
2. Livellare il treppiede. È presente una bolla integrata nella montatura a tale scopo.
3. Regolare la montatura in altitudine fino a quando l'indicatore della latitudine punta alla propria latitudine. Spostare la montatura comprometterà l'angolo di puntamento dell'asse polare. Per informazioni specifiche sulla regolazione della montatura equatoriale, vedere la sezione "Regolare la montatura".

Questo metodo deve essere eseguito nelle ore diurne, eliminando pertanto la necessità di fare tentativi di notte. Sebbene questo metodo **NON** indirizzi direttamente al polo, limiterà il numero di correzioni che si apporterebbero al momento di tracciare un oggetto. Sarà anche sufficientemente preciso per l'acquisizione di immagini planetarie con messa a fuoco primaria a esposizione breve (qualche secondo) e acquisizione di immagini astrali in piggyback a esposizione breve (qualche minuto)

Allineamento polare utilizzando il controllo manuale

La montatura Advanced VX presenta una funzione di allineamento polare denominata allineamento polare "All-Star" che aiuterà l'utente con l'allineamento polare del telescopio per un'aumentata precisione di tracciatura e per l'acquisizione di immagini astrali. Questa funzionalità consente di scegliere qualsiasi stella di allineamento luminosa per assistere nell'allineamento preciso della montatura del telescopio con il Polo Nord celeste. Prima di utilizzare la funzionalità di allineamento polare, il telescopio deve essere prima grossolanamente puntato in direzione nord e deve essere allineato con tre stelle nel cielo. Vedere la sezione "Scala di latitudine" per assistenza nel trovare il nord e regolare la latitudine della montatura. Una volta che il telescopio sarà allineato su due stelle e almeno una stella di calibrazione aggiuntiva, far ruotare il telescopio in direzione di qualsiasi stella luminosa nell'elenco del database delle stelle aventi un nome. Per risultati ottimali, scegliere una stella di allineamento polare che sia alta nel cielo e vicino al meridiano. Tentare di evitare stelle vicine all'orizzonte occidentale/orientale, direttamente sopra la testa o troppo vicine al polo celeste. Una volta completato, premere il tasto Align e utilizzare i tasti Su/Giù sul controllo manuale per selezionare l'Allineamento polare dall'elenco.

Allinea montatura: dopo aver eseguito l'allineamento a due stelle con una stella di calibrazione e aver fatto ruotare il telescopio in direzione di qualsiasi stella luminosa nel database del telescopio, selezionare l'opzione "Allinea montatura". Il telescopio ruoterà quindi lontano e poi di nuovo verso la stessa stella

1. Il controllo manuale chiederà di centrare nuovamente la stella nel cercatore di stelle e premere INVIO.
2. Il controllo manuale chiederà di centrare con precisione la stella nell'oculare e premere ALIGN. Il telescopio quindi si "sincronizzerà" su tale stella e ruoterà alla posizione in cui dovrebbe essere la stella se fosse stata allineata correttamente al polo.

Nota: Per un allineamento più preciso, è meglio utilizzare un oculare con reticolo o un oculare a potenza elevata per centrare in modo preciso la stella nel campo visivo.

3. Utilizzare le regolazioni di latitudine e azimuth della montatura per posizionare la stella al centro dell'oculare. Non utilizzare i tasti direzionali sul controllo manuale per posizionare la stella. Una volta centrata la stella nell'oculare, premere ENTER; l'asse polare dovrebbe ora essere rivolto verso il Polo nord celeste.

Aggiornamento dell'allineamento stellare

Dopo l'allineamento polare, è una buona idea quella di controllare la precisione di puntamento del telescopio per vedere quanto può essere stato influenzato dallo spostamento della montatura. Dal momento che il processo di allineamento

polare richiede all'utente di "sincronizzare" il telescopio su una stella luminosa prima di cominciare, sarà necessario annullare la sincronizzazione prima di eseguire il riallineamento. Per annullare la sincronizzazione:

- Premere il tasto Align e utilizzare i tasti Su/Giù sul controllo manuale per selezionare Annulla sincronizzazione dall'elenco e premere Enter. Il messaggio Completo sarà visualizzato sullo schermo LCD.

Per riallineare il telescopio:

1. Far scorrere il telescopio verso una delle stelle di allineamento originali o verso un'altra stella luminosa in caso le stelle di allineamento originali non si trovino più in una posizione comoda. Premere il tasto Align e utilizzare i tasti Su/Giù sul controllo manuale per selezionare Stelle di allineamento dall'elenco.
2. Il controllo manuale chiederà all'utente quale delle stelle di allineamento originali desidera sostituire. Utilizzare i tasti Su/Giù per selezionare la stella desiderata e premere Enter.
3. Ancora una volta, centrare la stella nel cercatore di stelle e premere Enter.
4. Centrare la stella nell'oculare e premere Align.
5. Ripetere il processo su una seconda stella di allineamento.

Per una precisione di puntamento a tutto cielo aggiuntiva, è una buona idea quella di allineare almeno una stella di calibrazione aggiuntiva situata sul lato opposto del meridiano. Per aggiungere le stelle di calibrazione:

1. Far ruotare il telescopio a una stella luminosa situata sul lato opposto del meridiano rispetto alle altre due stelle di allineamento.
2. Premere il tasto Align e utilizzare i tasti Su/Giù sul controllo manuale per selezionare le stelle di calibrazione dall'elenco, e premere Enter.
3. Allineare le stelle nel cercatore di stelle e quindi nell'oculare come fatto con le stelle di allineamento.

Visualizza allineamento: l'utente può ora visualizzare l'errore di allineamento polare negli assi di R.A. e DEC. Questi valori mostrano quanto vicino la montatura è puntata verso il polo celeste sulla base di quanto precisamente l'utente ha centrato la stella di allineamento con il controllo manuale e con la regolazione della montatura. Per visualizzare l'errore di allineamento:

- Premere il tasto Align e utilizzare i tasti Su/Giù sul controllo manuale per selezionare Visualizza allineamento dall'elenco e premere Enter.

Fotografia con messa a fuoco primaria a esposizione lunga

Si tratta dell'ultima forma di fotografia celeste che è stata tentata dopo aver acquisito esperienza con gli altri metodi. È destinata principalmente per gli oggetti del profondo cielo, ovvero, gli oggetti che si trovano al di fuori del nostro Sistema solare compresi ammassi stellari, nebulose e galassie. Sebbene potrebbe sembrare necessario un ingrandimento più elevato per questi oggetti, è vero esattamente il contrario. La maggior parte di questi oggetti coprono grandi aree angolari e si adattano bene nel campo di messa a fuoco primario del telescopio. La luminosità di questi oggetti, tuttavia, richiede lunghi tempi di esposizione e, di conseguenza, risulta piuttosto difficile.

Esistono varie tecniche per questo tipo di fotografia, e quella scelta determinerà gli accessori standard necessari. Il metodo migliore per la fotografia astrale del profondo cielo a esposizione lunga è quello con un dispositivo di guida fuori asse opzionale. Questo dispositivo consente all'utente di fotografare e guidare attraverso il telescopio simultaneamente. Inoltre, sarà necessario un anello a T per collegare la fotocamera a un guidatore fuori asse opzionale.

Altre attrezzature necessarie comprendono una guida automatica, ovvero una piccola fotocamera che si collega alla guida radiale e che mantiene centrata la stella guida mentre si acquisiscono le immagini con la fotocamera principale. Qui di seguito è indicato un breve riepilogo della tecnica.

1. Allineamento polare del telescopio. Per maggiori informazioni sull'allineamento polare, vedere la sezione relativa all'Allineamento polare trattata in precedenza nel presente manuale.
2. Rimuovere tutti gli accessori visivi.
3. Avvitare la guida radiale al telescopio.
4. Avvitare l'anello a T sulla guida radiale.
5. Montare il corpo della fotocamera sull'anello a T come si farebbe con qualsiasi altra lente.
6. Impostare la velocità dell'otturatore su "B".
7. Mettere a fuoco il telescopio su una stella.
8. Centrare il soggetto nel campo della fotocamera.
9. Utilizzando la guida automatica, trovare una stella guida appropriata nel campo del telescopio. Questa potrebbe essere la parte che richiede più tempo di tutto il processo.
10. Aprire l'otturatore utilizzando un cavo di scatto.
11. Monitorare la stella guida per la durata dell'esposizione utilizzando i tasti sul controllo manuale per apportare le correzioni necessarie.
12. Chiudere l'otturatore della fotocamera.

Correzione errore periodico (PEC)

La Correzione dell'errore periodico, anche nota con l'abbreviazione PEC, è un sistema che migliora la precisione di tracciatura del motore riducendo il numero di correzioni dell'utente necessario per mantenere una stella guida centrata nell'oculare. La PEC è progettata per migliorare la qualità di acquisizione delle immagini riducendo l'ampiezza degli errori degli ingranaggi. L'uso della funzione PEC è un processo a tre fasi. Per prima cosa, la montatura Advanced VX deve sapere la posizione corrente dell'ingranaggio a vite senza fine, in modo da avere un riferimento quando riproduce l'errore registrato. Successivamente, è necessario guidare utilizzando una guida automatica per almeno 10 minuti durante i quali il sistema registra la correzione apportata. (L'ingranaggio a vite senza fine impiega 10 minuti per eseguire una rivoluzione completa). Questo procedimento "insegna" al chip della PEC le caratteristiche dell'ingranaggio. L'errore periodico dell'ingranaggio a vite senza fine sarà salvato nel chip della PEC e utilizzato per correggere l'errore periodico. L'ultima fase è quella di riprodurre le correzioni apportate durante la fase di registrazione. È necessario ricordarsi che questa funzionalità è dedicata per la fotografia astrale avanzata e che richiede ancora una guida attenta dal momento che tutti i motori dei telescopi presentano alcuni errori periodici.

Utilizzo della correzione dell'errore periodico

Una volta allineato correttamente il telescopio al polo, selezionare PEC dal menu Utilità e selezionare l'opzione Registra. Qui di seguito sono descritte le modalità d'uso della funzione PEC:

1. Trovare una stella luminosa relativamente vicina all'oggetto di cui si intende acquisire l'immagine.
2. Inserire la guida automatica nel supporto dell'oculare del telescopio. Orientare la guida in modo che un asse del sensore sia parallelo all'asse di declinazione mentre l'altro è parallelo all'asse R.A.
3. Mettere a fuoco il telescopio e studiare il movimento periodico.
4. Collegare il cavo della guida automatica alla porta della guida automatica sul pannello elettronico della montatura.
5. Per iniziare a registrar l'errore periodico del motore, premere il tasto MENU e selezionare PEC dal menu Utilità. Utilizzare i tasti di scorrimento Su/Giù per visualizzare l'opzione Registra e premere ENTER. Quando si è pronti per registrare, premere nuovamente il tasto ENTER per cominciare. Si avranno a disposizione 5 secondi prima che il sistema inizi la registrazione. La prima volta si seleziona ogni sessione di osservazione registrata dalla PEC, l'ingranaggio a vite senza fine deve ruotare al fine di segnare la sua posizione di partenza. Se la rotazione dell'ingranaggio a vite senza fine sposta la stella guida al di fuori del campo visivo dell'oculare, dovrà essere nuovamente centrata prima di iniziare la registrazione.

Nota: Una volta indicizzato l'ingranaggio a vite senza fine, non dovrà essere posizionato nuovamente fino allo spegnimento del telescopio. Per concedersi più tempo per prepararsi alla guida, potrebbe essere necessario riavviare la registrazione PEC dopo che l'ingranaggio a vite senza fine avrà trovato il suo indice.

6. Dopo 10 minuti, la PEC interromperà automaticamente la registrazione.
7. Puntare il telescopio in direzione dell'oggetto di cui si intende acquisire l'immagine e centrare la stella guida sul reticolo illuminato. Si è ora pronti per riprodurre la correzione dell'errore periodico.
8. Una volta registrato l'errore periodico del motore, utilizzare la funzione di Riproduzione per iniziare la riproduzione della correzione per future guide di acquisizione immagini. Se si desidera registrare nuovamente l'errore periodico, selezionare Registra e ripetere nuovamente il processo di registrazione. Le informazioni registrate precedentemente saranno sostituite con le informazioni correnti. Ripetere i passaggi 7 e 8 per riprodurre le correzioni PEC per il successivo oggetto.

La funzione PEC rende possibile l'acquisizione di immagini astrali senza guida? Sì e no. Per le immagini solari (filtrate), lunari e in piggyback (fino a 200 mm), la risposta è sì. Tuttavia, anche con la PEC, la guida automatica è ancora obbligatoria per l'acquisizione di immagini del profondo cielo a esposizione lunga.

Appendice A: Specifiche tecniche della montatura Advanced VX

Carico utile (esclusi i contrappesi)	30 lb (13.5 kg)
Sistema di montaggio del tubo ottico	Piastra doppia
Controllo manuale computerizzato	Controllo manuale NexStar+ con schermo LCD, 19 tasti a LED retroilluminati in fibra ottica
Database	Più di 40.000 oggetti, 100 oggetti programmabili definite dall'utente. Informazioni migliorate per oltre 200 oggetti
Velocità di rotazione	Nove velocità di rotazione, massimo 4 °/sec
Modalità di tracciatura	EQ Nord, EQ sud, Off
Velocità di tracciatura	Siderale, lunare, solare
Procedure di allineamento	Allineamento a 2 stelle, allineamento rapido, allineamento a 1 stella, ultimo allineamento, allineamento del sistema solare
Tipo di motore	Servomotori DC a basso ingranaggio con encoder su entrambi gli assi
Requisiti di alimentazione	12V DC 3.5A (punta positiva)
Intervallo di latitudine	Da 7 gradi a 77 gradi
PEC	Si, programmabile permanentemente
GPS	Accessorio GPS SkySync opzionale
Compensazione contraccolpi	Si
Orologio in tempo reale interno	Si
Porte disponibili	Porte AUX 2x, porta della guida automatica, porta RS-232 (sul controllo manuale)
Cerchi graduati	No
Telescopio dell'asse polare	Opzionale
Lunghezza dell'albero di contrappeso	12" (30,5 cm)
Diametro dell'albero d contrappeso	0,75" (1,9 cm)
Treppiede	Regolabile in acciaio inox
Diametro della gamba del treppiede	2.0" (5 cm)
Intervallo di altezza della montatura	Da 44" a 64" (111 a162 cm)
Peso del treppiede	18 lb (8 kg)
Peso della testa EQ	17 lb (7,7 kg)
Peso del contrappeso	1 x 12 lb (1x 5,5 Kg)
Peso totale del kit per telescopio	47 lb (21,3 kg)

Garanzia limitata di due anni Celestron

A. Celestron garantisce che il prodotto sia privo di difetti nei materiali e nella fabbricazione per due anni. Celestron riparerà o sostituirà tale prodotto o parte dello stesso che, dopo una verifica da parte di Celestron, risulti essere difettoso nei materiali o nella fabbricazione. Come condizione dell'obbligo di Celestron di riparare o sostituire detto prodotto, il prodotto deve essere restituito a Celestron assieme a una prova d'acquisto che sia soddisfacente per Celestron.

B. Prima dell'invio del prodotto per la restituzione è necessario ottenere da Celestron un codice di autorizzazione alla restituzione. Invia la richiesta al centro di supporto tecnico online di Celestron all'indirizzo <https://www.celestron.com/pages/technical-support> per ricevere il numero da visualizzare all'esterno del contenitore di spedizione.

Tutte le restituzioni devono essere accompagnate da una dichiarazione scritta indicante il nome, l'indirizzo e un numero di telefono del proprietario, assieme a una breve descrizione di qualsiasi difetto reclamato. Le parti del prodotto per cui si effettua la sostituzione devono diventare proprietà di Celestron.

Il cliente è responsabile di tutti i costi di trasporto e assicurazione, da e verso la fabbrica di Celestron, che devono essere pagati in anticipo.

Celestron si impegna a riparare o sostituire qualsiasi prodotto coperto da garanzia entro 30 giorni dalla ricezione. In caso la riparazione o la sostituzione richieda più di trenta giorni, Celestron notificherà il cliente di conseguenza. Celestron si riserva il diritto di sostituire qualsiasi prodotto di cui sia stata interrotta la produzione con un prodotto nuovo di valore e funzione simile.

La presente garanzia sarà annullata e non sarà più in vigore o efficace nel caso in cui un prodotto coperto da garanzia sia stato modificato nel design o nelle funzioni, o si sospetti l'abuso, l'uso improprio, cattiva gestione o riparazioni non autorizzate. Inoltre, il malfunzionamento o il deterioramento del prodotto dovuti alla normale usura del prodotto non sono coperti dalla garanzia.

CELESTRON NON RICONOSCE ALCUNA GARANZIA, ESPRESSA O IMPLICITA, SIA ESSA DI IDONEITÀ O COMMERCIALIZZABILITÀ PER UN PARTICOLARE USO, ECCETTO QUANDO ESPRESSAMENTE DISPOSTO NEL PRESENTE DOCUMENTO. L'UNICO OBBLIGO DI CELESTRON AI SENSI DELLA PRESENTE GARANZIA LIMITATA È QUELLO DI RIPARARE O SOSTITUIRE IL PRODOTTO COPERTO, IN ACCORDO CON I TERMINI DISPOSTI NEL PRESENTE DOCUMENTO. CELESTRON NON RICONOSCE ESPRESSAMENTE QUALSIASI PERDITA DI PROFITTO, DANNI GENERALI, SPECIALI, INDIRETTI O CONSEQUENZIALI CHE POTREBBERO RISULTARE DALLA VIOLAZIONE DI QUALSIASI GARANZIA O DERIVANTI DALL'USO O DALL'IMPOSSIBILITÀ DI UTILIZZARE QUALSIASI PRODOTTO CELESTRON. EVENTUALI GARANZIE IMPLICITE CHE NON POSSONO NON ESSERE RICONOSCIUTE DEVONO ESSERE LIMITATE NELLA DURATA A UN PERIODO DI DUE ANNI DALLA DATA DI ACQUISTO AL DETTAGLIO ORIGINARIO.

Alcuni stati non consentono l'esclusione o la limitazione di danni accidentali o consequenziali oppure la limitazione sulla durata di una garanzia implicita, pertanto le limitazioni e le esclusioni di cui sopra potrebbero non applicarsi all'utente in questione.

La presente garanzia dà all'utente specifici diritti legali, oltre ad altri diritti che possono variare da Stato a Stato. Celestron si riserva il diritto di modificare o sospendere la produzione, senza previa notifica, di qualsivoglia modello o stile del prodotto. Nel caso in cui sorgano problemi di garanzia o se si necessita di assistenza per l'uso del prodotto, visita il centro di supporto tecnico online di Celestron all'indirizzo <https://www.celestron.com/pages/technical-support>.



Nota FCC: La presente attrezzatura è stata testata ed è risultata conforme ai limiti per i dispositivi digitali di Classe B, ai sensi delle parte 15 delle Normative FCC. Tali limiti sono stati ideati per fornire un'adeguata protezione nei confronti di interferenze dannose in installazioni residenziali. La presente attrezzatura genera, utilizza e può irradiare energia in radio frequenza e, se non installata e utilizzata conformemente alle istruzioni, può causare interferenze dannose alle radiocomunicazioni. Tuttavia, non vi è alcuna garanzia che l'interferenza non si verificherà in una particolare installazione. In caso la presente attrezzatura causi interferenze dannose alla ricezione radio o televisiva, il che potrebbe essere determinato dall'accensione e dallo spegnimento dell'attrezzatura, l'utente è incoraggiato a tentare di correggere l'interferenza mediante una o più delle misure seguenti:

- Orientare o posizionare nuovamente l'antenna di ricezione.
- Aumentare la distanza tra l'attrezzatura e il ricevitore.
- Collegare l'attrezzatura a una presa su un circuito diverso da quello a cui è collegato il ricevitore.
- Consultare il rivenditore o un tecnico radio/TV esperto per assistenza.

Il design del prodotto e le specifiche sono soggette a modifiche senza previa notifica.

Il presente prodotto è progettato e destinato all'uso di persone di età pari o superiore ai 14 anni.

© 2019 Celestron • Tutti i diritti riservati
[celestron.com/pages/technical-support](https://www.celestron.com/pages/technical-support)
2835 Columbia Street • Torrance, CA 90503 U.S.A.
Stampato in Cina

