



Weather Station · Wetterstation

## ClimaTemp TB + Sensor

**EN** Instruction manual

**DE** Bedienungsanleitung

- DE** Besuchen Sie unsere Website über den folgenden QR Code oder Weblink um weitere Informationen zu diesem Produkt oder die verfügbaren Übersetzungen dieser Anleitung zu finden.
- EN** Visit our website via the following QR Code or web link to find further information on this product or the available translations of these instructions.
- FR** Si vous souhaitez obtenir plus d'informations concernant ce produit ou rechercher ce mode d'emploi en d'autres langues, rendez-vous sur notre site Internet en utilisant le code QR ou le lien correspondant.
- NL** Bezoek onze internetpagina via de volgende QR-code of weblink, voor meer informatie over dit product of de beschikbare vertalingen van deze gebruiksaanwijzing.
- ES** ¿Desearía recibir unas instrucciones de uso completas sobre este producto en un idioma determinado? Entonces visite nuestra página web utilizando el siguiente enlace (código QR) para ver las versiones disponibles.
- IT** Desidera ricevere informazioni esaustive su questo prodotto in una lingua specifica? Venga a visitare il nostro sito Web al seguente link (codice QR Code) per conoscere le versioni disponibili.
- RU** Посетите наш сайт, отсканировав QR-код, или перейдите ссылке, чтобы больше узнать об этом товаре или скачать руководство по эксплуатации на другом языке.



[www.bresser.de/P7007201](http://www.bresser.de/P7007201)



**GARANTIE · WARRANTY · GARANTÍA · GARANZIA · ГАРАНТИЯ**



[www.bresser.de/warranty\\_terms](http://www.bresser.de/warranty_terms)

**English..... 4**

**Deutsch ..... 21**

---

# 1 Imprint (German)

Bresser GmbH

Gutenbergstr. 2

46414 Rhede

Germany

[www.bresser.de](http://www.bresser.de)

For any warranty claims or service enquiries, please refer to the information on "Warranty" and "Service" in this documentation. We apologize for any inconvenience caused by the fact that we cannot process enquiries or submissions sent directly to the manufacturer's address.

Errors and technical changes excepted.

© 2021 Bresser GmbH

All rights reserved.

The reproduction of this documentation - even in extracts - in any form (e.g. photocopy, print, etc.) as well as the use and distribution by means of electronic systems (e.g. image file, website, etc.) without the prior written permission of the manufacturer is prohibited.

The designations and brand names of the respective companies used in this documentation are generally protected by trade, trademark and/or patent law in Germany, the European Union and/or other countries.

## 2 Validity note

This documentation is valid for the products with the following article numbers:

7007201

---

**Manual version:** 0521

**Manual designation:**

Manual\_7007201\_ClimaTemp-TB\_en-  
de\_BRESSER\_v052021a

Always provide information when requesting service.

---

## 3 About this Instruction Manual



### NOTICE

**These operating instructions are to be considered a component of the device.**

Read the safety instructions and the operating manual carefully before using this device.

Keep this instruction manual in a safe place for future reference. When the device is sold or given to someone else, the instruction manual must be provided to the new owner/user of the product.

---

## 4 General safety instructions



### DANGER

**Danger of suffocation!**

Improper use of this product may result in suffocation, especially for children. It is therefore imperative that you observe the following safety information.

- Keep packaging materials (plastic bags, rubber bands, etc.) away from children! There is a danger of choking!
- This product contains small parts that can be swallowed by children! Choking hazard!

---

 **DANGER****Risk of an electric shock!**

This device contains electronic parts that are powered by a power source (AC adapter and/or batteries). Improper use of this product may result in electric shock. Electric shock can cause serious or fatal injuries. It is therefore imperative that you observe the following safety information.

- Never leave children unattended when handling the device! Follow the instructions carefully and do not attempt to power this device with anything other than power sources recommended in this instruction manual, otherwise there is a danger of an electric shock!

---

 **DANGER****Explosion hazard!**

Improper use of this product may result in fire. It is essential that you observe the following safety information in order to avoid fires.

- Do not expose the device to high temperatures. Use only the recommended batteries. Do not short-circuit the device or batteries, or throw them into a fire! Excessive heat or improper handling could trigger a short-circuit, a fire or an explosion!

---

**NOTICE****Danger of material damage!**

Improper handling may result in damage to the unit and/or accessories. Therefore, use the device only in accordance with the following safety information.

---

- 
- Do not disassemble the device! In the event of a defect, please contact your dealer. They will contact the Service Center and can arrange the return of this device for repair if necessary.
  - Do not immerse the unit in water!
  - Do not expose the device to impacts, vibrations, dust, constant high temperatures or excessive humidity. This can result in malfunctions, short-circuits or damage to the batteries and components.
  - Use only the recommended batteries. Always replace weak or empty batteries with a new, complete set of batteries at full capacity. Do not use batteries from different brands or types or with different capacities. Remove batteries from the device if it is not to be used for a longer period of time!

---

## NOTICE

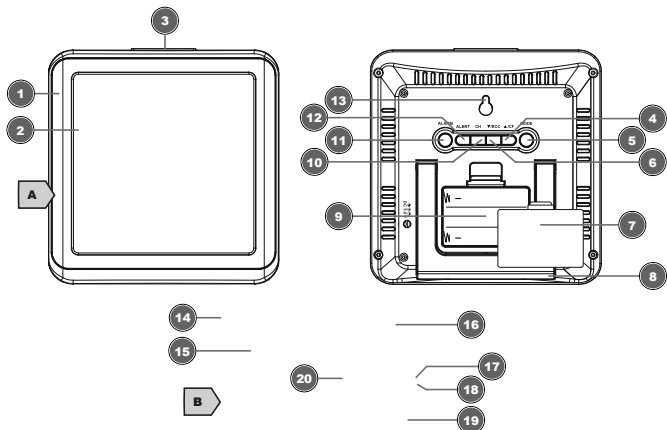


### **Risk of voltage damage!**

The manufacturer is not liable for damage related to improperly installed batteries!

---

## 5 Parts overview and scope of delivery



*Illustration 1:* All parts of base station (top) and wireless sensor (bottom)

1	Housing (weather station)	2	Colour display
3	SNZ/LIGHT button (set snooze function / display brightness)	4	UP/CF key (increase value or change between °C and °F)
5	MODE button (switch between current time and alarm time display or setting mode)	6	DOWN/RCC button (decrease value or initiate RCC signal reception)
7	Battery compartment cover (weather station)	8	Stand, fold-out



9	Battery compartment (weather station)	10	CH button (channel selection)
11	ALARM button (enable wake-up alarm)	12	ALERT button (temperature alarm setting)
13	Wall mount fixture	14	Housing (wireless sensor)
15	Data transmission function light	16	Wall mount fixture
17	RESET button (reset all settings)	18	Slider for channel selection (set transmission channel 1, 2 or 3)
19	Battery compartment (wireless sensor)	20	Battery compartment cover (wireless sensor)

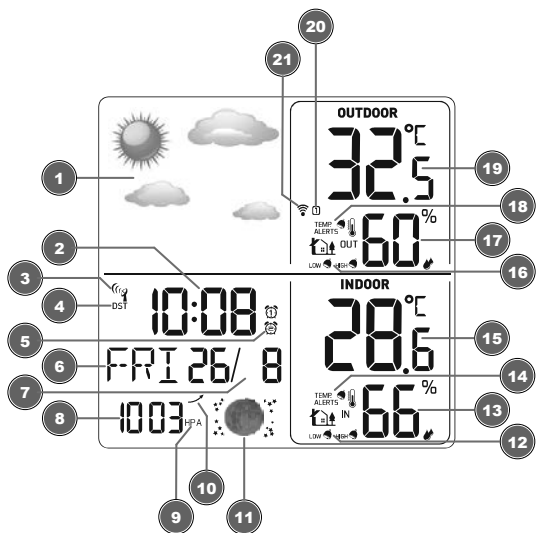
***Delivery content:***

Base station (A), radio sensor (B)

Required batteries (not included):

5 pcs. batteries (Type AAA/LR03, 1.5V)

## 6 Screen display



*Illustration 2:* Screen display of the base station

1	Graphical weather forecast display (24 hours)	2	Standard: Current time, Alarm: Wake-up time
3	Symbol for the radio signal	4	Symbol for active daylight saving time
5	Symbol for active wake-up alarm (wake-up time 1, 2 or both)	6	Weekday information
7	Current date (day/month)	8	Current air pressure value

9	Air pressure measuring unit (in HPA)	10	Symbol for air pressure tendency (rising, constant or falling)
11	Moon phase	12	Symbol for active maximum or minimum indoor temperature alarm
13	Indoor humidity (in %)	14	Symbol for indoor temperature alarm (function see 12)
15	Indoor temperature (°C or °F)	16	Symbol for active maximum or minimum outdoor temperature alarm
17	Outdoor humidity (in %)	18	Symbol for outdoor temperature alarm (function see 16)
19	Outdoor temperature (°C or °F)	20	Current wireless sensor channel (1, 2 or 3)
21	Transmission signal information (current wireless sensor)		

## 7 Before commissioning

### NOTICE



#### Avoid connection faults!

In order to avoid connection problems between the devices, the following points must be observed during commissioning.

1. Place the base unit (receiver) and sensor (transmitter) as close together as possible.

- 
2. Connect the power supply to the base unit and wait until the indoor temperature is displayed.
  3. Establish power supply for the sensor.
  4. Set up/operate the base unit and sensor within the effective transmission range.
  5. Make sure that the base unit and the radio sensor are set to the same channel.

When changing the batteries, always remove the batteries in both the base unit and the sensor and reinsert them in the correct order so that the radio connection can be re-established. If one of the two devices is operated via a mains power connection, the power connection for this device must also be disconnected briefly when changing the battery. If, for example, only the batteries in the sensor are replaced, the signal cannot be received or can no longer be received correctly.

Note that the actual range depends on the building materials used in the building and the position of the base unit and outdoor sensor. External influences (various radio transmitters and other sources of interference) can greatly reduce the possible range. In such cases, we recommend finding other locations for both the base unit and the outdoor sensor. Sometimes a shift of just a few centimetres is enough!

## 8 Setting up power supply

### ***Base unit***

1. Remove the battery compartment cover.
2. Insert the batteries into the battery compartment. Ensure that the battery polarity (+/-) is correct.
3. Replace the battery compartment cover.

- 
4. Wait until the indoor temperature is displayed on the base station.

### **Remote sensor**

5. Remove the battery compartment cover.
6. Insert the batteries into the battery compartment. Ensure that the battery polarity (+/-) is correct.
7. Move the CH slide control to the position for the desired transmission channel (setting CH1, CH2 or CH3 with screen display).
8. Replace the battery compartment cover.

**NOTICE! When operating one outdoor sensor, channel 1 is recommended as the default setting.**

## 9 Automatic time setting

After the powering it on, the unit automatically searches for the radio signal. It takes about 3-8 minutes to complete this process.

If the radio signal is received correctly, the date and time are set automatically and the reception symbol is displayed.

If no radio signal is received, proceed as follows:

1. Press the RCC button for approx. 2 seconds to initiate the reception of the radio signal again.
2. If no radio signal is still received, the time must be set manually.

## 10 Manual time setting

1. In normal display mode, press the MODE button for about 3 seconds to enter the time settings mode.

- 
2. Digits to be set are flashing.
  3. Press UP/CF or DOWN/RCC button to change the value.
  4. Press the MODE button to confirm the and switch to the next setting.
  5. Settings sequence: Time zone > Hours > Minutes > Year > Month > Day > Language
  6. Finally, press the MODE button to save the settings and exit settings mode.

## 11 Alarm setting

1. Press the MODE button repeatedly to select the desired alarm function: AL1 or AL2. The display changes according to the set alarm time.
2. Press the MODE button for about 3 seconds to switch to the setting mode for the corresponding alarm time.
3. The value to be set flashes.
4. Press the UP/CF or DOWN/RCC button to change the value.
5. Press the MODE button to confirm the and switch to the next setting.
6. Settings sequence: Hours > Minutes
7. Finally, press the MODE button to save the settings and exit settings mode.
8. In normal display mode, press the MODE button to display the desired alarm time.
9. To activate the alarm, press the ALARM button when the alarm time is selected until the corresponding alarm symbol (alarm clock) is displayed.

- 
10. To deactivate the alarm, press the ALARM button when the alarm time is selected until the corresponding alarm symbol (alarm clock) is no longer displayed.

## 12 Snooze function

1. Press the SNZ/LIGHT button for about 3 seconds to enter the snooze time interval setting. The preset digit flashes (03-20 minutes)
2. Press the UP/CF or DOWN/RCC button to change the value.
3. Finally, press the SNZ/LIGHT button to save the settings and exit settings mode.
4. When the alarm sounds, press the SNZ/LIGHT button to activate the snooze function. The alarm will sound again at the end of the previously set time interval.
5. When the alarm sounds, press any other button to stop the alarm until the set alarm time is reached again.

## 13 Receiving measurements automatically

Once the power supply is enabled, the base station will display the measurement readings for indoors. Readings from the outdoor sensor will be displayed within 3 minutes after powering it on.

If no signal is received, proceed as follows:

Press the CH button for about 3 seconds to initiate reception of measurements again.

---

## 14 Display change

In normal display mode, press the DOWN/RCC button to toggle the time display between 12-hour or 24-hour mode (AM/PM time information is displayed or hidden accordingly)

In normal display mode, press the UP/CF button to toggle between °C and °F when displaying the temperature unit.

In normal display mode, press the CH button several times to display channels 1, 2, 3 or automatically alternating one after another.

**NOTICE! The display of values for different channels requires the connection of several suitable wireless sensors (not included).**

In normal display mode, press the ALERT button several times to display the set temperature alarm values one after another.

## 15 HI/LO Alert

### Set highest/lowest value alarm

1. In normal display mode, press the ALERT button for about 3 seconds to enter the temperature alarm settings mode. The first value to be set flashes.
2. Press the UP/CF or DOWN/RCC button to change the value.
3. Press the ALERT button to confirm and switch to the next setting.the next setting.
4. Settings sequence: Maximum outdoor temperature value > Minimum outdoor temperature value > Maximum indoor temperature value > Minimum indoor temperature value



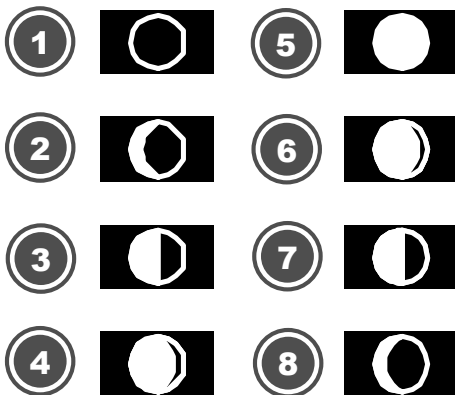
- 
5. Finally, press the ALERT button to save the settings and return to normal mode.

### **Enable or disable highest/lowest value alarm**

6. In normal display mode, press the ALERT button repeatedly to select the desired temperature alarm type (HIGH or LOW). The temperature alarm type is displayed below the range info (cottage with OUT or IN).
7. When the temperature alarm is selected, press the UP/CF button to enable or disable the alarm. When the temperature alarm is enabled, the alarm symbol (bell) appears next to the respective temperature alarm type (HIGH or LOW).
8. The temperature alarm sounds as soon as the preset temperature is reached for the respective range (IN or OUT).
9. Press any key to stop the alarm.

## 16 Moon phases

This weather station is able to display the moon phases for the northern hemisphere. Here the moon grows from the right. This is because the sunlit side of the moon in the northern hemisphere moves from right to left. The following table shows the representations of the moon phases.

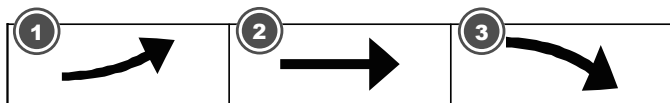


*Illustration 3:* Moon phases for the northern hemisphere.

1	New moon	2	Waxing crescent
3	First quarter	4	Waxing gibbous
5	Full moon	6	Waning gibbous
7	Third quarter	8	Waning crescent

## 17 Trend arrow indicators

The air pressure trend for the next 60 minutes is indicated by corresponding arrows next to the current air pressure value:



1 rising

2 stable:

3 falling

## 18 EC declaration of conformity

**CE** A "Declaration of conformity" in accordance with the applicable directives and corresponding standards has been prepared by Bresser GmbH. The full text of the EC declaration of conformity is available at the following Internet address: [www.bresser.de/download/7007201/CE/7007201\\_CE.pdf](http://www.bresser.de/download/7007201/CE/7007201_CE.pdf)

## 19 UKCA Declaration of Conformity

**UK  
CA** Bresser GmbH has issued a "Declaration of Conformity" in accordance with applicable guidelines and corresponding standards. The full text of the UKCA declaration of conformity is available at the following internet address: [www.bresser.de/download/7007201/UKCA/7007201\\_UKCA.pdf](http://www.bresser.de/download/7007201/UKCA/7007201_UKCA.pdf)

**Bresser UK Ltd.** • Suite 3G, Eden House, Enterprise Way, Edenbridge, Kent TN8 6Hf, Great Britain

## 20 Warranty

The regular warranty period is 5 years and starts on the day of purchase. For full warranty terms and services, please visit [www.bresser.de/warranty\\_terms](http://www.bresser.de/warranty_terms).

## 21 Disposal



Dispose of the packaging materials properly, according to their type, such as paper or cardboard. Contact your local waste-disposal service or environmental authority for information on the proper disposal.



Do not dispose of electronic devices in the household garbage!

According to the European Directive 2012/19/EU on Waste Electrical and Electronic Equipment and its transposition into national law, used electrical equipment must be collected separately and recycled in an environmentally sound manner.



Batteries and rechargeable batteries must not be disposed of with household waste. You are legally obliged to return used batteries and accumulators and can return the batteries after use either in our sales outlet or in the immediate vicinity (e.g. in the trade or in municipal collection points) free of charge.

Batteries and accumulators are marked with a crossed-out dustbin and the chemical symbol of the pollutant, "Cd" stands for cadmium, "Hg" stands for mercury and "Pb" stands for lead.



Cd<sup>1</sup>



Hg<sup>2</sup>



Pb<sup>3</sup>

---

# 1 Impressum

Bresser GmbH

Gutenbergstr. 2

46414 Rhede

Germany

[www.bresser.de](http://www.bresser.de)

Für etwaige Gewährleistungsansprüche oder Serviceanfragen verweisen wir auf die Informationen zu „Garantie“ und „Service“ in dieser Dokumentation. Wir bitten um Verständnis, dass direkt an die Hersteller-Anschrift gerichtete Anfragen oder Einsendungen nicht bearbeitet werden können.

Irrtümer und technische Änderungen vorbehalten.

© 2021 Bresser GmbH

Alle Rechte vorbehalten.

Die Reproduktion dieser Dokumentation – auch auszugsweise – in irgendeiner Form (z.B. Fotokopie, Druck, etc.) sowie die Verwendung und Verbreitung mittels elektronischer Systeme (z.B. Bilddatei, Website, etc.) ohne eine vorherige schriftliche Genehmigung des Herstellers ist nicht gestattet.

Die in dieser Dokumentation verwendeten Bezeichnungen und Markennamen der jeweiligen Firmen sind im Allgemeinen in Deutschland, der Europäischen Union und/oder weiteren Ländern waren-, marken- und/oder patentrechtlich geschützt.

## 2 Gültigkeitshinweis

Diese Dokumentation ist gültig für die Produkte mit den nachfolgend aufgeführten Artikelnummern:

---

7007201

**Anleitungsversion:** 0521

**Bezeichnung dieser Anleitung:**

Manual\_7007201\_ClimaTemp-TB\_en-de\_BRES-SER\_v052021a

Informationen bei Serviceanfragen stets angeben.

## 3 Zu dieser Anleitung



### HINWEIS

**Diese Bedienungsanleitung ist als Teil des Gerätes zu betrachten!**

Lesen Sie vor der Benutzung des Geräts aufmerksam die Sicherheitshinweise und die Bedienungsanleitung.

Bewahren Sie diese Bedienungsanleitung für die erneute Verwendung zu einem späteren Zeitpunkt auf. Bei Verkauf oder Weitergabe des Gerätes ist die Bedienungsanleitung an jeden nachfolgenden Besitzer/Benutzer des Produkts weiterzugeben.

---

## 4 Allgemeine Sicherheitshinweise



### GEFAHR

**Erstickungsgefahr!**

Bei unsachgemäßer Verwendung dieses Produkts besteht Erstickungsgefahr, insbesondere für Kinder. Beachten Sie deshalb unbedingt die nachfolgenden Sicherheitsinformationen.

- 
- Verpackungsmaterialien (Plastiktüten, Gummibänder, etc.) von Kindern fernhalten! Es besteht Erstickungsgefahr!
  - Dieses Produkt beinhaltet Kleinteile, die von Kindern verschluckt werden können! Es besteht Erstickungsgefahr!
- 



## GEFAHR



### Gefahr eines Stromschlags!

Dieses Gerät beinhaltet Elektronikteile, die über eine Stromquelle (Netzteil und/oder Batterien) betrieben werden. Bei unsachgemäßer Verwendung dieses Produkts besteht die Gefahr eines Stromschlags. Ein Stromschlag kann zu schweren bis tödlichen Verletzungen führen. Beachten Sie daher unbedingt die nachfolgenden Sicherheitsinformationen.

---

- Lassen Sie Kinder beim Umgang mit dem Gerät nie unbeaufsichtigt! Die Nutzung darf nur, wie in der Anleitung beschrieben, erfolgen, andernfalls besteht die Gefahr eines Stromschlags!
- 



## GEFAHR



### Explosionsgefahr!

Bei unsachgemäßer Verwendung dieses Produkts besteht Explosionsgefahr. Beachten Sie unbedingt die nachfolgenden Sicherheitsinformationen, um eine Explosion zu vermeiden.

---

- Setzen Sie das Gerät keinen hohen Temperaturen aus. Benutzen Sie nur die empfohlenen Batterien. Gerät und Batterien nicht kurzschließen oder ins Feuer werfen! Durch übermäßige Hitze und unsachgemäße Handhabung können Kurzschlüsse, Brände und sogar Explosionen ausgelöst werden!
-

---

## HINWEIS



### **Gefahr von Sachschäden!**

Bei unsachgemäßer Handhabung können das Gerät und/oder die Zubehörteile beschädigt werden. Verwenden Sie das Gerät deshalb nur entsprechend den nachfolgenden Sicherheitsinformationen.

- Bauen Sie das Gerät nicht auseinander! Wenden Sie sich im Falle eines Defekts an Ihren Fachhändler. Er nimmt mit dem Service-Center Kontakt auf und kann das Gerät ggf. zwecks Reparatur einschicken.
- Gerät nicht in Wasser tauchen!
- Das Gerät keinen Stößen, Erschütterungen, Staub, dauerhaft hohen Temperaturen oder extremer Feuchtigkeit aussetzen. Dies kann zu Fehlfunktionen, Kurzschlüssen sowie zu Beschädigungen an Batterien und Bauteilen führen.
- Nur die empfohlenen Batterien verwenden. Schwache oder verbrauchte Batterien immer durch komplett neuen Satz Batterien mit voller Kapazität ersetzen. Keine Batterien unterschiedlicher Marken, Typen oder mit unterschiedlich hoher Kapazität verwenden. Batterien aus dem Gerät entfernen wenn es längere Zeit nicht benutzt wird.

---

## HINWEIS



### **Gefahr von Spannungsschäden!**

Für Spannungsschäden in Folge falsch eingelegter Batterien übernimmt der Hersteller keine Haftung!



## 5 Teileübersicht und Lieferumfang

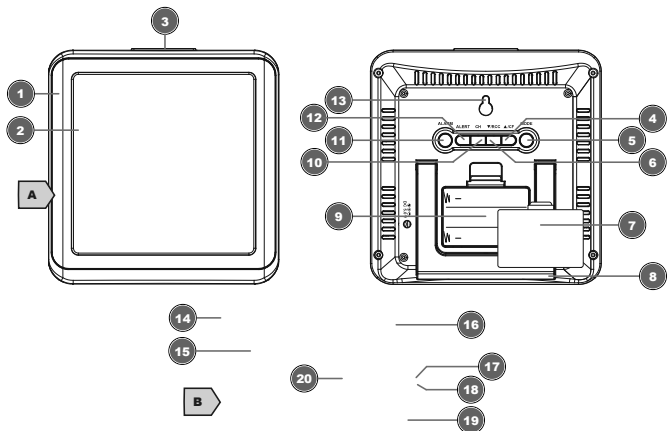


Abb. 1: Alle Teile der Basisstation (oben) und des Funksensors (unten)

1	Gehäuse (Wetterstation)	2	Farbdisplay
3	SNZ/LIGHT-Taste (Schlummerfunktion / Displayhelligkeit einstellen)	4	UP/CF-Taste (Wert erhöhen oder Wechsel zwischen °C und °F)
5	MODE-Taste (Wechsel zwischen aktueller Zeit- und Weckzeitanzeige oder Einstellungsmodus)	6	DOWN/RCC-Taste (Wert verringern oder RCC-Signalempfang initiieren)
7	Batteriefachabdeckung (Wetterstation)	8	Standfuß, ausklappbar
9	Batteriefach (Wetterstation)	10	CH-Taste (Kanalwahl)

11	ALARM-Taste (Weckrufaktivierung)	12	ALERT-Taste (Temperaturalarmeinstellung)
13	Vorrichtung für Wandmontage	14	Gehäuse (Funksensor)
15	Funktionsleuchte Datenübertragung	16	Vorrichtung für Wandmontage
17	RESET-Knopf (alle Einstellungen zurücksetzen)	18	Schieberegler für Kanalwahl (Übertragungskanal 1, 2 oder 3 einstellen)
19	Batteriefach (Funksensor)	20	Batteriefachabdeckung (Funksensor)

### ***Lieferumfang***

Basisstation (A), Funksensor (B)

Erforderliche Batterien (nicht im Lieferumfang enthalten):

5 Stck. Batterien (Typ AAA/LR03, 1.5V)

## 6 Display-Anzeigen

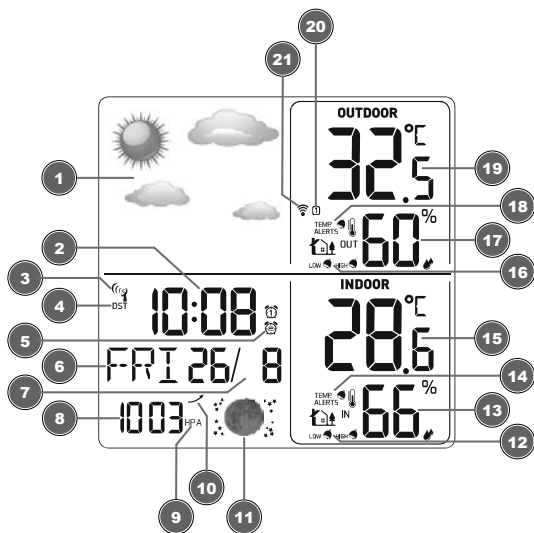


Abb. 2: Displayanzeigen der Basisstation

1	Grafische Anzeige Wettervorhersage (24 Stunden)	2	Standard: Aktuelle Uhrzeit; Alarm: Weckzeit
3	Symbol für das Funksignal	4	Symbol für aktive Sommerzeit
5	Symbol für aktiven Weckruf (Weckzeit 1, 2 oder beide)	6	Wochentag-Information

7	Aktuelles Datum (Tag/ Monat)	8	Aktueller Luftdruck-Wert
9	Luftdruck-Messeinheit (in HPA)	10	Symbol für die Luftdrucktendenz (steigend, gleichbleibend oder fallend)
11	Mondphase	12	Symbol für aktiven Innentemperatur-Höchst- oder Tiefstwertalarm
13	Innen-Luftfeuchtigkeit (in %)	14	Symbol für Innentemperatur-Alarm (Funktion siehe 12)
15	Innentemperatur (°C oder °F)	16	Symbol für aktiven Außentemperatur-Höchst- oder Tiefstwertalarm
17	Außen-Luftfeuchtigkeit (in %)	18	Symbol für Außentemperatur-Alarm (Funktion siehe 16)
19	Außentemperatur (°C oder °F)	20	Aktueller Funksensor-Kanal (1, 2 oder 3)
21	Übertragungssignal-Information (aktueller Funksensor)		

## 7 Vor der Inbetriebnahme

### HINWEIS



#### Vermeidung von Verbindungsstörungen!

Um Verbindungsstörungen zwischen den Geräten zu vermeiden, sind die folgenden Punkte bei der Inbetriebnahme zu beachten.

- 
1. Basisgerät (Empfänger) und Sensor (Sender) so nah wie möglich nebeneinander stellen/legen.
  2. Stromversorgung für das Basisgerät herstellen und warten bis die Innentemperatur angezeigt wird.
  3. Stromversorgung für den Sensor herstellen.
  4. Basisgerät und Sensor innerhalb des effektiven Übertragungsbereichs aufstellen/betreiben.
  5. Sicherstellen, dass Basisgerät und Funksensor auf den gleichen Kanal eingestellt sind.

Bei einem Batteriewechsel stets die Batterien sowohl im Basisgerät als auch im Sensor entfernen und in richtiger Reihenfolge wieder neu einsetzen, damit die Funkverbindung erneut aufgebaut werden kann. Wird eines der beiden Geräte über einen Netzstromanschluss betrieben, so muss auch für dieses bei einem Batteriewechsel kurzzeitig die Stromverbindung getrennt werden. Werden z.B. nur die Batterien im Sensor ausgetauscht, kann das Signal anschließend gar nicht oder nicht mehr korrekt empfangen werden.

Beachten Sie, dass die tatsächliche Reichweite von den jeweils verwendeten Baumaterialien der Gebäude sowie der jeweiligen Position der Basiseinheit und des Außensensors abhängt. Durch externe Einflüsse (diverse Funksender und andere Störquellen) kann sich die mögliche Reichweite stark verringern. In solchen Fällen empfehlen wir, sowohl für das Basisgerät als auch den Außensensor andere Standorte zu suchen. Manchmal reicht schon ein Verschieben um wenige Zentimeter!

## 8 Stromversorgung herstellen

### ***Basisgerät***

1. Batteriefachdeckel entfernen.

- 
2. Batterien in das Batteriefach einsetzen. Dabei die korrekte Ausrichtung der Batteriepole (+/-) beachten.
  3. Batteriefachdeckel wieder aufsetzen.
  4. Warten bis Innentemperatur auf dem Basisgerät angezeigt wird.

### **Funksensor**

5. Batteriefachdeckel entfernen.
6. Batterien in das Batteriefach einsetzen. Dabei die korrekte Ausrichtung der Batteriepole (+/-) beachten.
7. CH-Schieberegler in die Position für den gewünschten Übertragungskanal bewegen (Einstellung CH1, CH2 oder CH3 mit Anzeige auf dem Display).
8. Batteriefachdeckel wieder aufsetzen.

**HINWEIS! Bei Betrieb eines Außensensors wird Kanal 1 als Standardeinstellung empfohlen.**

## 9 Automatische Zeiteinstellung

Nachdem die Stromversorgung hergestellt wurde, sucht das Gerät automatisch nach dem Funksignal. Es dauert etwa 3-8 Minuten bis dieser Prozess abgeschlossen ist.

Bei korrektem Empfang des Funksignals werden Datum und Uhrzeit automatisch eingestellt und das Empfangssymbol wird angezeigt.

Wird kein Funksignal empfangen, folgendermaßen vorgehen:

1. RCC-Taste am Funksensor ca. 2 Sekunden drücken, um den Empfang des Funksignals erneut zu initiieren.
2. Wird weiterhin kein Funksignal empfangen, muss die Zeiteinstellung manuell vorgenommen werden.

---

## 10 Manuelle Zeiteinstellung

1. Im normalen Anzeigemodus die MODE-Taste ca. 3 Sekunden drücken um in den Zeiteinstellungsmodus zu gelangen.
2. Die einzustellenden Ziffern blinken.
3. UP/CF- oder DOWN/RCC-Taste drücken, um den Wert zu verändern.
4. MODE-Taste drücken, um die Eingabe zu bestätigen und zur nächsten Einstellung zu wechseln.
5. Reihenfolge der Einstellungen: Zeitzone > Stunden > Minuten > Jahr > Monat > Tag > Sprache
6. MODE-Taste abschließend drücken, um Einstellungen zu speichern und den Einstellungsmodus zu verlassen.

## 11 Weckrufeinstellung

1. MODE-Taste mehrmals drücken, um die gewünschte Alarmfunktion auszuwählen: AL1 oder AL2. Die Anzeige wechselt zur eingestellten Weckzeit.
2. MODE-Taste etwa 3 Sekunden drücken, um in den Einstellmodus für die entsprechende Weckzeit zu wechseln.
3. Der einzustellende Wert blinkt.
4. UP/CF- oder DOWN/RCC-Taste drücken, um den Wert zu ändern.
5. MODE-Taste drücken, um die Eingabe zu bestätigen und zur nächsten Einstellung zu wechseln.
6. Reihenfolge der Einstellungen: Stunden > Minuten

- 
7. MODE-Taste abschließend drücken, um die Einstellungen zu speichern und den Einstellungsmodus zu verlassen.
  8. Im normalen Anzeigemodus die MODE-Taste drücken, um die gewünschte Weckzeit anzuzeigen.
  9. Um den Alarm zu aktivieren, bei ausgewählter Weckzeit die ALARM-Taste drücken, bis das entsprechende Wecksymbol (Wecker) angezeigt wird.
  10. Um den Alarm zu deaktivieren, bei ausgewählter Weckzeit die ALARM-Taste drücken, bis das entsprechende Wecksymbol (Wecker) nicht mehr angezeigt wird.

## 12 Schlummerfunktion

1. Die SNZ/LIGHT-Taste etwa 3 Sekunden drücken, um zur Einstellung des Schlummer-Zeitintervalls zu gelangen. Die voreingestellte Ziffer blinkt (03-20 Minuten)
2. Die UP/CF- oder DOWN/RCC-Taste drücken, um den Wert zu ändern.
3. Die SNZ/LIGHT-Taste abschließend drücken, um die Einstellung zu speichern und den Einstellungsmodus zu verlassen.
4. Beim Ertönen des Weckrufs die SNZ/LIGHT-Taste drücken, um die Schlummerfunktion zu aktivieren. Der Weckruf ertönt erneut nach Ablauf des zuvor eingestellten Zeitintervalls.
5. Beim Ertönen des Weckrufs eine beliebige andere Taste drücken, um den Weckruf bis zum erneuten Erreichen der eingestellten Weckzeit auszusetzen.



---

## 13 Automatische Messwerteübertragung

Sobald die Stromversorgung hergestellt wurde, beginnt die Basisstation mit der Anzeige der Messwerte für den Innenbereich. Die ersten vom Außensensor empfangenen Messwerte werden innerhalb von etwa 3 Minuten nach Inbetriebnahme angezeigt.

Wird kein Signal empfangen, folgendermaßen vorgehen:  
CH-Taste ca. 3 Sekunden drücken, um den Empfang der Messwerte erneut zu initiieren.

## 14 Anzeigenwechsel

Im normalen Anzeigemodus die DOWN/RCC-Taste drücken, um bei der Zeitanzeige zwischen dem 12- oder 24-Stunden-Modus zu wechseln (AM/PM-Zeitinformation wird entsprechend ein- oder ausgeblendet)

Im normalen Anzeigemodus die UP/CF-Taste drücken, um bei der Anzeige der Temperatur-Maßeinheit zwischen °C und °F zu wechseln.

Im normalen Anzeigemodus die CH-Taste mehrmals drücken, um nacheinander die Kanäle 1, 2, 3 oder automatisch wechselnd anzuzeigen.

**HINWEIS! Die Anzeige von Werten für verschiedene Kanäle setzt den Anschluss mehrerer geeigneter Funksensoren voraus (nicht im Lieferumfang enthalten).**

Im normalen Anzeigemodus die ALERT-Taste mehrmals drücken, um nacheinander die eingestellten Temperaturalarmwerte anzuzeigen.

---

# 15 Höchst-/Tiefstwert-Alarm

## Höchst-/Tiefstwert-Alarm einstellen

1. Im normalen Anzeigemodus die ALERT-Taste ca. 3 Sekunden drücken, um in den Einstellungsmodus für die Temperaturalarmwerte zu gelangen. Der erste einzustellende Wert blinkt.
2. Die UP/CF- oder die DOWN/RCC-Taste drücken, um den Wert zu ändern.
3. ALERT-Taste drücken, um die Eingabe zu bestätigen und zur nächsten Einstellung zu wechseln.
4. Reihenfolge der Einstellungen: Außentemperatur-Höchstwert > Außentemperatur-Tiefstwert > Innentemperatur-Höchstwert > Innentemperatur-Tiefstwert
5. Abschließend die ALERT-Taste drücken, um die Einstellungen zu speichern und in den Normalmodus zurückzukehren.

## Höchst-/Tiefstwert-Alarm aktivieren oder deaktivieren

6. Im normalen Anzeigemodus die ALERT-Taste mehrmals drücken, um den gewünschten Temperaturalarm-Typ auszuwählen (HIGH oder LOW). Der Temperaturalarm-Typ wird jeweils unter der Bereichsinfo (Häuschen mit OUT oder IN) angezeigt.
7. Bei ausgewähltem Temperaturalarm die UP/CF-Taste drücken, um den Alarm zu aktivieren oder zu deaktivieren. Bei aktiviertem Temperaturalarm erscheint das Alarmsymbol (Glocke) neben dem jeweiligen Temperaturalarm-Typ (HIGH oder LOW).
8. Der Temperaturalarm ertönt, sobald die voreingestellte Temperatur für den jeweiligen Bereich (IN oder OUT) erreicht ist.

- 
9. Eine beliebige Taste drücken, um den Alarm zu beenden.

## 16 Mondphasen

Diese Wetterstation ist in der Lage, die Mondphasen für den Bereich der nördlichen Halbkugel anzuzeigen. Hier wächst der Mond von rechts an. Dies ist so, weil die von der Sonne angestrahlte Seite des Mondes auf der Nordhalbkugel von rechts nach links wandert. In der nachfolgenden Tabelle sind die Darstellungen der Mondphasen dargestellt.

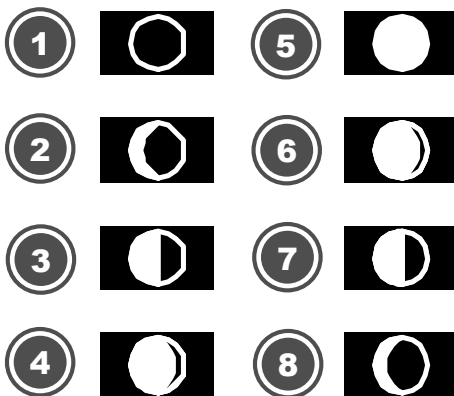
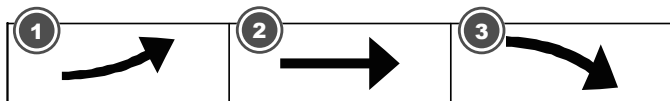


Abb. 3: Mondphasen auf der nördlichen Halbkugel

1	Neumond	2	Zunehmender Sichelmond
3	Erstes Viertel	4	Zunehmender Mond
5	Vollmond	6	Abnehmender Mond
7	Letztes Viertel	8	Abnehmender Sichelmond

## 17 Trendpfeile

Der Luftdrucktrend für die kommenden 60 Minuten wird durch entsprechende Pfeile neben dem aktuellen Luftdruckwert angezeigt:



1 steigend

2 stabil

3 fallend

## 18 EG-Konformitätserklärung

**CE** Eine „Konformitätserklärung“ in Übereinstimmung mit den anwendbaren Richtlinien und entsprechenden Normen ist von der Bresser GmbH erstellt worden. Der vollständige Text der EG-Konformitätserklärung ist unter der folgenden Internetadresse verfügbar: [www.bresser.de/download/7007201/CE/7007201\\_CE.pdf](http://www.bresser.de/download/7007201/CE/7007201_CE.pdf)

## 19 Garantie

Die reguläre Garantiezeit beträgt 5 Jahre und beginnt am Tag des Kaufs. Die vollständigen Garantiebedingungen und Serviceleistungen können Sie unter [www.bresser.de/garantiebedingungen](http://www.bresser.de/garantiebedingungen) einsehen.

## 20 Entsorgung



Entsorgen Sie die Verpackungsmaterialien sortenrein. Informationen zur ordnungsgemäßen Entsorgung erhalten Sie beim kommunalen Entsorgungsdienstleister oder Umweltamt.



Werfen Sie Elektrogeräte nicht in den Hausmüll! Gemäß der Europäischen Richtlinie 2012/19/EG über Elektro- und Elektronik-Altgeräte und deren Umsetzung in nationales Recht müssen verbrauchte Elektrogeräte getrennt gesammelt und einer umweltgerechten Wiederverwertung zugeführt werden.



Batterien und Akkus dürfen nicht im Hausmüll entsorgt werden. Sie sind zur Rückgabe gebrauchter Batterien und Akkus gesetzlich verpflichtet und können die Batterien nach Gebrauch entweder in unserer Verkaufsstelle oder in unmittelbarer Nähe (z.B. im Handel oder in kommunalen Sammelstellen) unentgeltlich zurückgeben.

Batterien und Akkus sind mit einer durchgekreuzten Mülltonne sowie dem chemischen Symbol des Schadstoffes bezeichnet, "Cd" steht für Cadmium, "Hg" steht für Quecksilber und "Pb" steht für Blei.



Cd<sup>1</sup>



Hg<sup>2</sup>



Pb<sup>3</sup>



## Service

### DE AT CH BE

Bei Fragen zum Produkt und eventuellen Reklamationen nehmen Sie bitte zunächst mit dem Service-Center Kontakt auf, vorzugsweise per E-Mail.

**E-Mail:** [service@bresser.de](mailto:service@bresser.de)  
**Telefon\*:** +49 28 72 80 74 210

BRESSER GmbH  
Kundenservice  
Gutenbergstr. 2  
46414 Rhede  
Deutschland

\*Lokale Rufnummer in Deutschland (Die Höhe der Gebühren je Telefonat ist abhängig vom Tarif Ihres Telefonanbieters); Anrufe aus dem Ausland sind mit höheren Kosten verbunden.

### GB IE

Please contact the service centre first for any questions regarding the product or claims, preferably by e-mail.

**e-mail:** [service@bresseruk.com](mailto:service@bresseruk.com)  
**Telephone\*:** +44 1342 837 098

BRESSER UK Ltd  
Customer Support  
Suite G3, Eden House  
Enterprise Way  
Edenbridge, Kent TN8 6HF  
United Kingdom

\*Number charged at local rates in the UK (the amount you will be charged per phone call will depend on the tariff of your phone provider); calls from abroad will involve higher costs.

### FR BE

Si vous avez des questions concernant ce produit ou en cas de réclamations, veuillez prendre contact avec notre centre de services (de préférence via e-mail).

**e-mail:** [sav@bresser.fr](mailto:sav@bresser.fr)  
**Téléphone\*\*:** 00 800 6343 7000

BRESSER France SARL  
Service après-vente  
Pôle d'Activités de Nicopolis  
314 Avenue des Chênes Verts  
83170 Brignoles  
France

\*\*Prix d'un appel local depuis la France ou Belgique

### NL BE

Als u met betrekking tot het product vragen of eventuele klachten heeft kunt u contact opnemen met het service centrum (bij voorkeur per e-mail).

**e-mail:** [info@bresserbenelux.nl](mailto:info@bresserbenelux.nl)  
**Téléfono\*:** +31 528 23 24 76

BRESSER Benelux B.V.  
Klantenservice  
Smirnofstraat 8  
7903 AX Hoogeveen  
Nederland

\*Het telefoonnummer wordt in het Nederland tegen lokaal tarief in rekening gebracht. Het bedrag dat u per gesprek in rekening gebracht zal worden, is afhankelijk van het tarief van uw telefoon provider; gesprekken vanuit het buitenland zullen hogere kosten met zich meebrengen.

### ES PT

Si desea formular alguna pregunta sobre el producto o alguna eventual reclamación, le rogamos que se ponga en contacto con el centro de servicio técnico (de preferencia por e-mail).





**e-mail:** [servicio.iberia@bresser-iberia.es](mailto:servicio.iberia@bresser-iberia.es)  
**Téléfono\*:** +34 91 67972 69

BRESSER Iberia SLU  
Servicio al Cliente  
c/Valdemorillo, 1 Nave B  
P.I. Ventorro del cano  
28925 Alcorcón Madrid  
España

\*Número local de España (el importe de cada llamada telefónica dependen de las tarifas de los distribuidores). Las llamadas des del extranjero están ligadas a costes suplementarios.

---

**Bresser GmbH**  
Gutenbergstraße 2  
46414 Rhede · Germany  
[www.bresser.de](http://www.bresser.de)

    @BresserEurope

 **BRESSER®**