



Weather Station · Wetterstation ·

WIFI ClearView 7in1

EN Instruction manual

DE Bedienungsanleitung

DE Besuchen Sie unsere Website über den folgenden QR Code oder Weblink um weitere Informationen zu diesem Produkt oder die verfügbaren Übersetzungen dieser Anleitung zu finden.

EN Visit our website via the following QR Code or web link to find further information on this product or the available translations of these instructions.

FR Si vous souhaitez obtenir plus d'informations concernant ce produit ou rechercher ce mode d'emploi en d'autres langues, rendez-vous sur notre site Internet en utilisant le code QR ou le lien correspondant.

NL Bezoek onze internetpagina via de volgende QR-code of weblink, voor meer informatie over dit product of de beschikbare vertalingen van deze gebruiksaanwijzing.

ES ¿Desearía recibir unas instrucciones de uso completas sobre este producto en un idioma determinado? Entonces visite nuestra página web utilizando el siguiente enlace (código QR) para ver las versiones disponibles.

IT Desidera ricevere informazioni esaustive su questo prodotto in una lingua specifica? Venga a visitare il nostro sito Web al seguente link (codice QR Code) per conoscere le versioni disponibili.



www.bresser.de/P7002586



GARANTIE · WARRANTY · GARANTÍA · GARANZIA



www.bresser.de/warranty_terms



WEATHER UNDERGROUND

APP DOWNLOAD:



WORKS WITH:



Weather Underground is a registered trademark of The Weather Channel, LLC. both in the United States and internationally. The Weather Underground Logo is a trademark of Weather Underground, LLC. Find out more about Weather Underground at www.wunderground.com

Apple and the Apple logo are trademarks of Apple Inc., registered in the U.S. and other countries. App Store is a service mark of Apple Inc., registered in the U.S. and other countries. Google Play and the Google Play logo are trademarks of Google Inc.

English	4
Deutsch	31

Table of contents

1 Imprint	6
2 Validity note	6
3 About this Instruction Manual	6
4 General safety instructions	6
5 Parts overview base station	8
6 Multisensor parts overview	9
7 Delivery content.....	9
8 Screen display	10
9 Before commissioning.....	11
10 The first steps	11
11 Establish power supply	11
12 Attaching rubber linings	12
13 Mounting and attaching the multi-function radio sensor	12
14 Signal transmission	13
15 Create a user account for Weather Underground (optional).....	13
16 Create user account for weathercloud (optional).....	13
17 Setting up an user account for other weather services (e.g. AWEKAS)	14
18 Configuration / Setting up a WIFI connection.....	14
19 Advanced settings.....	18
20 Automatic time setting.....	19
21 Manual time adjustment.....	19
22 Time zone setting	19
23 Wake-up call setting.....	20
24 Snooze function.....	20
25 Rainfall.....	20
26 Light intensity, UV index and sunburn time	21
27 Manual measurement display	22
28 Clima indication (indoor)	22
29 Moon phases.....	22
30 Weather trend	23
31 Trend arrow indicators.....	24
32 Barometric / Atmospheric Pressure	24
33 Beaufort scale.....	24
34 'Feels like' temperature.....	25

35 Heat index	25
36 Dew point	26
37 History record for the past 24 hours	26
38 Adjusting the display brightness.....	26
39 Viewing Live weather data with Weather Underground.....	26
40 Retrieve Weathercloud weather data.....	27
41 Setup the station to transmit weather data to AWEKAS	27
42 Troubleshooting	27
43 EC declaration of conformity	28
44 UKCA Declaration of Conformity	28
45 Warranty	28
46 Cleaning and maintenance	28
47 Disposal.....	30

1 Imprint

Bresser GmbH
Gutenbergstr. 2
46414 Rhede
Germany
www.bresser.de

For any warranty claims or service enquiries, please refer to the information on "Warranty" and "Service" in this documentation. We apologize for any inconvenience caused by the fact that we cannot process enquiries or submissions sent directly to the manufacturer's address.

Errors and technical changes excepted.

© 2021 Bresser GmbH

All rights reserved.

The reproduction of this documentation - even in extracts - in any form (e.g. photocopy, print, etc.) as well as the use and distribution by means of electronic systems (e.g. image file, website, etc.) without the prior written permission of the manufacturer is prohibited.

The designations and brand names of the respective companies used in this documentation are generally protected by trade, trademark and/or patent law in Germany, the European Union and/or other countries.

2 Validity note

This documentation is valid for the products with the following article numbers:

7002586 7902586

Manual version: 0721

Manual designation:

Manual_7002586_WIFI-ClearView-7in1_en-de_BRESSER_v072021a

Always provide information when requesting service.

3 About this Instruction Manual



NOTICE

These operating instructions are to be considered a component of the device.

Read the safety instructions and the operating manual carefully before using this device.

Keep this instruction manual in a safe place for future reference. When the device is sold or given to someone else, the instruction manual must be provided to the new owner/user of the product.

4 General safety instructions



⚠ DANGER

Risk of an electric shock!

This device contains electronic parts that are powered by a power source (AC adapter and/or batteries). Improper use of this product may result in electric shock. Electric shock can cause serious or fatal injuries. It is therefore imperative that you observe the following safety information.

-
- Never leave children unattended when handling the device! Follow the instructions carefully and do not attempt to power this device with anything other than power sources recommended in this instruction manual, otherwise there is a danger of an electric shock!
 - Disconnect the power supply by pulling the mains plug when the appliance is not in use, in case of a longer interruption of operation and before any maintenance and cleaning work.
 - Place your device so that it can be disconnected from the power supply at any time. The power outlet should always be near your appliance and should be easily accessible, as the plug of the power cord serves as a disconnect device from the mains supply.
 - To disconnect the unit from the mains, always pull the mains plug and never pull the cable!
 - Check this device, cables and connections for damage before use.
 - Never attempt to operate a damaged device, or a device with damaged electrical parts! Damaged parts must be replaced immediately by an authorized service agent.
 - Operate the device only in a completely dry environment and do not touch the device with wet or damp body parts.

DANGER



Danger of suffocation!

Improper use of this product may result in suffocation, especially for children. It is therefore imperative that you observe the following safety information.

-
- Keep packaging materials (plastic bags, rubber bands, etc.) away from children! There is a danger of choking!
 - This product contains small parts that can be swallowed by children! Choking hazard!

DANGER



Explosion hazard!

Improper use of this product may result in fire. It is essential that you observe the following safety information in order to avoid fires.

-
- Do not expose the device to high temperatures. Use only the supplied AC adapter or the recommended batteries. Do not short-circuit the device or batteries or dispose of in fire! Excessive heat and improper handling can cause short circuits, fires and even explosions!

NOTICE



Danger of material damage!

Improper handling may result in damage to the unit and/or accessories. Therefore, use the device only in accordance with the following safety information.

-
- Do not disassemble the device! In the event of a defect, please contact your dealer. They will contact the Service Center and can arrange the return of this device for repair if necessary.
 - Do not expose the device to high temperatures and protect it from water and high humidity.
 - Do not immerse the unit in water!
 - Do not subject the device to excessive vibrations.
 - Only use accessories and spare parts for this device that comply with the technical specifications.
 - Use only the recommended batteries. Always replace weak or empty batteries with a new, complete set of batteries at full capacity. Do not use batteries from different brands or types or with different capacities. Remove batteries from the device if it is not to be used for a longer period of time!
 - Do not use rechargeable AA batteries, as these will not give out the correct voltage for use.



NOTICE

Danger of voltage damage!

The manufacturer accepts no liability for voltage damage as a result of incorrectly inserted batteries, or the use of an unsuitable mains adapter!

5 Parts overview base station

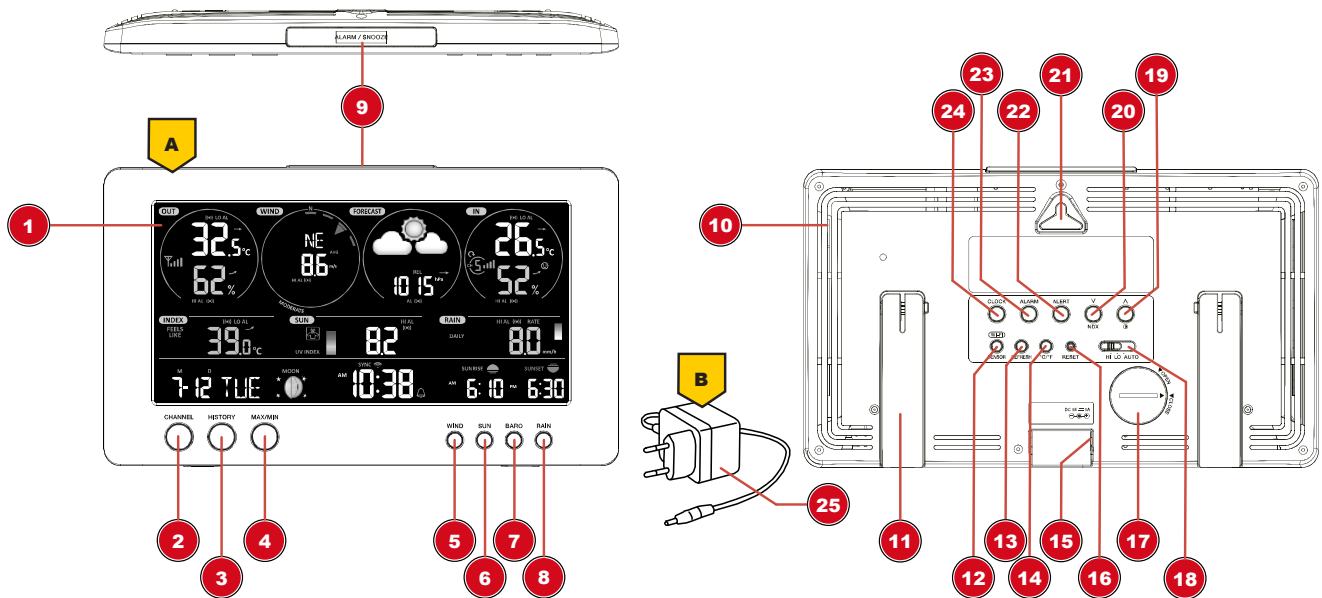


Illustration 1: All parts of the base station

1 Display	2 CHANNEL button (outdoor sensor channel selection)
3 HISTORY button (recall recorded measurement data)	4 MAX/MIN button (recall of recorded high/low values)
5 WIND button	6 SUN button
7 BARO button	8 RAIN button
9 ALARM/SNOOZE button	10 Ventilation slits
11 Stand (fold-out)	12 WIFI/SENSOR button
13 REFRESH button	14 [°C / °F] button
15 Power jack	16 RESET button
17 Battery compartment (backup power supply)	18 HI/LO/AUTO selector switch
19 UP/contrast button	20 DOWN/NDX button
21 Wall mount fixture	22 ALERT button (HI/LO alarm settings)
23 ALARM button (alarm time setting)	24 CLOCK SET button (time and user-defined settings)
25 Power adapter	

6 Multisensor parts overview

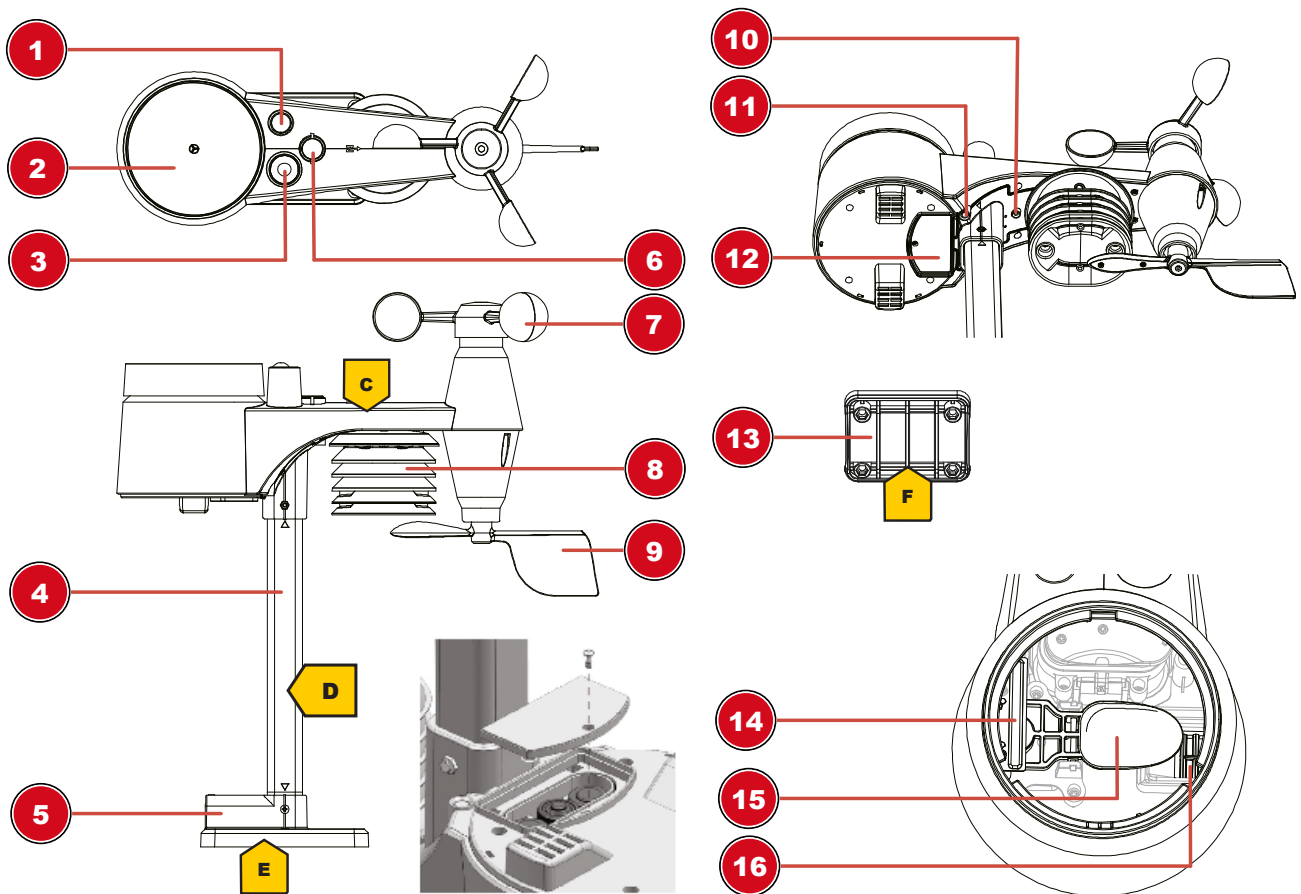


Illustration 2: All parts of the multisensor

1 Antenna	2 Rain gauge
3 UV sensor	4 Mounting bar
5 Mounting shoe	6 Circular level
7 Wind cups (wind speed)	8 Thermo-/Hygrometer
9 Wind vane (wind direction)	10 LED function indicator
11 RESET Knob	12 Battery compartment cover
13 Mounting clamp (pipe clamp)	14 Rain sensor
15 Tipping bucket	16 Drain holes

7 Delivery content

Base station (A), power adapter (B), multifunctional outdoor sensor (C), mounting rod (D), mounting shoe (E), pipe clamp (F), screws, instruction manual

Also required (not included in delivery):

3 x 1.5V batteries type AA/LR6 (outdoor sensor)

Backup battery (not included in delivery):

1 x button cell type CR2032 (Base station)

8 Screen display

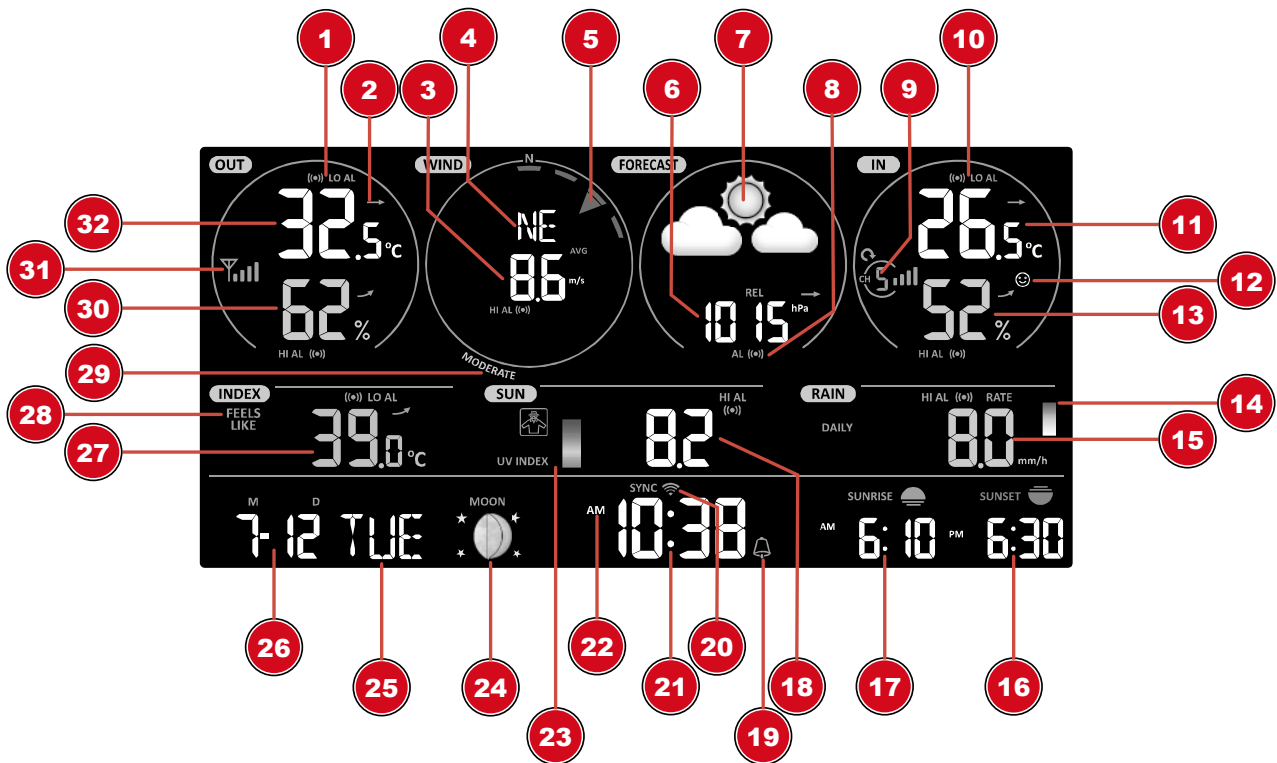


Illustration 3: Screen display of the base station

1 Symbol for active high (HI) or low (LO) alarm (outdoor)	2 Trend arrow (steady, rising or falling)
3 Wind speed value	4 Wind direction (named)
5 Wind direction (graphical)	6 Air pressure value
7 Weather Forecast (12~24 hours)	8 Air pressure alarm
9 Interior sensor channel and signal reception strength icon	10 Symbol for active high (HI) or low (LO) alarm (indoor)
11 Internal temperature (station or sensor)	12 Indoor climate indicator
13 Air humidity (indoor)	14 Rain rate (graphical)
15 Precipitation value	16 Sunset time
17 Sunrise time	18 UV value
19 Symbol for enabled alarm	20 Symbol for WIFI connection status and Internet time synchronization
21 Current time or alarm time (hours:minutes)	22 AM/PM information in 12-hour time mode
23 UV index (graphical)	24 Moon phase (graphical)
25 Weekday	26 Date (month-day or vice versa)
27 Temperature value according to the selected weather index	28 Weather index (feels like, dew point, heat, wind chill)
29 Wind force (classification according to Beaufort)	30 Air humidity (outdoor)
31 Multifunction outdoor sensor: Symbol for the signal reception strength of the multifunction sensor	32 Outdoor temperature

9 Before commissioning



NOTICE

Avoid connection faults!

In order to avoid connection problems between the devices, the following points must be observed during commissioning.

1. Place the base unit (receiver) and sensor (transmitter) as close together as possible.
2. Connect the power supply to the base unit and wait until the indoor temperature is displayed.
3. Establish power supply for the sensor.
4. Set up/operate the base unit and sensor within the effective transmission range.
5. Make sure that the base unit and the radio sensor are set to the same channel.

When changing the batteries, always remove the batteries in both the base unit and the sensor and reinsert them in the correct order so that the radio connection can be re-established. If one of the two devices is operated via a mains power connection, the power connection for this device must also be disconnected briefly when changing the battery. If, for example, only the batteries in the sensor are replaced, the signal cannot be received or can no longer be received correctly.

Note that the actual range depends on the building materials used in the building and the position of the base unit and outdoor sensor. External influences (various radio transmitters and other sources of interference) can greatly reduce the possible range. In such cases, we recommend finding other locations for both the base unit and the outdoor sensor. Sometimes a shift of just a few centimetres is enough!

10 The first steps

Follow the bullet points in order, to ensure a successful setup.

1. Setting up power supply (base station and wireless sensor)
2. Mount the wireless sensor
3. The base station is now in AP mode (LED flashes green) and ready for initial setup.
4. Create an account with a weather service provider compatible with your station, e.g. wunderground.com or weathercloud.net and add the station to your account ("My Profile" / "Add Weather station") or ("Devices" / "+ New"). Make a note of the station ID and password, as they will be needed in the next step.
5. Setting up the base station (Establish WIFI / Router connection)
6. Viewing weather data via web, mobile or tablet

11 Establish power supply

Base unit

1. Insert the DC plug into the connection socket on the base unit.
2. Insert the Euro plug into the mains power socket.
3. The device is powered on directly.

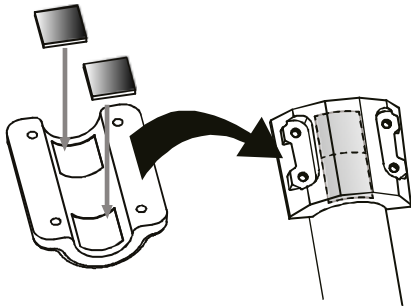
Installing the backup battery:

1. Remove the battery compartment cover.
2. Insert the battery into the battery compartment. Make sure that the battery terminals are correctly aligned (+/-).
3. Replace the battery compartment cover.

Wireless sensor

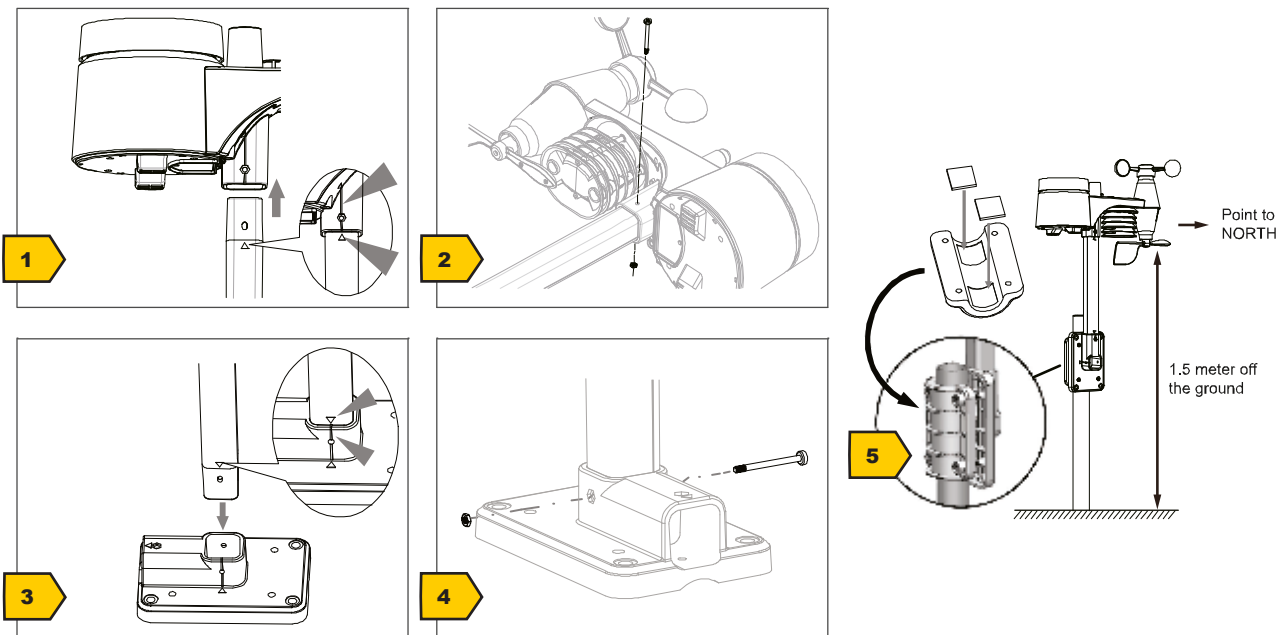
4. Remove the screw on the battery compartment cover with a suitable Phillips screwdriver and remove the battery compartment cover.
5. Insert 2 x AA size batteries into the battery compartment. Make sure that the battery terminals are correctly aligned (+/-).
6. Replace and screw on the battery compartment cover.

12 Attaching rubber linings



Attach the supplied self-adhesive rubber pads to the clamps as shown to ensure a firmer fitting of the mounting rod.

13 Mounting and attaching the multi-function radio sensor



Depending on the desired location, the wireless sensor can be mounted in different ways.

NOTICE! During installation, always ensure that the upper part of the wind vane is at least 1.5 metres above the ground. Ensure an absolutely horizontal position when using the circular level in the sensor head. The wind turbine must always point north.

Assembly on a vertical or horizontal wooden element

1. Slide one end of the assembly bar into the aperture below the sensor head.

2. Push a bolt through the hole and put the nut on the other side. Tighten the screw connection hand-tight.
3. Depending on the desired orientation, slide the opposite end of the assembly bar into the aperture for vertical or horizontal mounting of the assembly base.
4. Slide another screw through the bore hole of the assembly base and put on the nut on the opposite site. Tighten the screw connection by hand.

Place the assembly base with its bottom site first on a wooden element. Use 4 wood screws to tighten it.

Assembly on a vertical or horizontal tube

Repeat steps 1 to 4 as before.

- Place the assembly base with its bottom site first on the tube. Push the tube bracket against the tube from the opposite site.
- Slide 4 screws through the bore holes of the assembly base and through the bore holes of the tube bracket on the other site.
- Put on the 4 nuts and tighten the screw connection by hand.

14 Signal transmission

The base station automatically connects to the multi outdoor sensor and (if available) to other wireless sensors. You can also press the WIFI / SENSOR button to search directly for the sensors. If the connection is successful, the outdoor symbol (OUT) and/or the channel will appear on the display.

Connection status display:

Connection status	Display indication
Good signal	Receiver symbol
Sensor is searched for	Receiver symbol flashes
No signal for 48 hours	Er' (Error) is displayed
Sensor battery low, good signal	Battery symbol is displayed

15 Create a user account for Weather Underground (optional)

1. Enter the following web address for the 'Weather Underground' service in the address bar of your web browser: <https://www.wunderground.com>
2. Click on 'Join' to get to the registration page.
3. Enter your personal user data and click on 'Sign up'.
4. Follow the further setup steps.
5. Under the menu item 'Sensor Network' > 'Connect a Weather Station' your own weather station can be added.
6. A 'Station ID' and a 'Station Key/Password' are automatically generated by the service, which are needed for the following configuration of the weather station.

NOTICE! Use a valid e-mail address for registration. Otherwise the service can not be used.

16 Create user account for weathercloud (optional)

1. Enter the following web address in the address bar of the web browser: <https://weathercloud.net>
2. Under 'Join us today' enter the personal user data and click on 'Sign up'.

3. After successful registration and verification of the e-mail address, select the menu item "Devices" under the user account.
4. Click the '+New' link under 'Devices' and enter the device and location data in the 'Create New Device' window to create a new device. Select the appropriate weather station under 'Model'. For 'Link type' select the option 'Pro Weather Link'.
5. A 'weathercloud ID' and a 'key' which are needed for the following configuration of the weather station are automatically generated by the service. These can be reached via the account at weathercloud.net under Devices > Settings > Link.

NOTICE! Use a valid e-mail address for registration. Otherwise the service can not be used.

17 Setting up an user account for other weather services (e.g. AWEKAS)

1. You have the possibility to use a weather service of a third party provider, as shown here with the example of AWEKAS.
2. Enter the following web address in the address bar of the web browser for the 'AWEKAS' service: <https://join.awekas.at>
3. Fill in all the necessary information.
4. Make a note of the information: Username, Password, Geographic latitude (Latitude) in decimal degrees (e.g. 48.30591), geographical longitude in decimal degrees (e.g. 14.2862).

NOTICE! Use a valid e-mail address for registration. Otherwise the service can not be used.

18 Configuration / Setting up a WIFI connection

1. At first start-up or by pressing the WIFI / SENSOR button for 6 seconds, the station switches to AP mode. In this mode the ward is ready for WIFI setup.
2. The station now creates its own WIFI network to which you can connect to your smartphone or computer. Search and connect to the SSID of the WIFI station (example: PWS-XXXXXX)

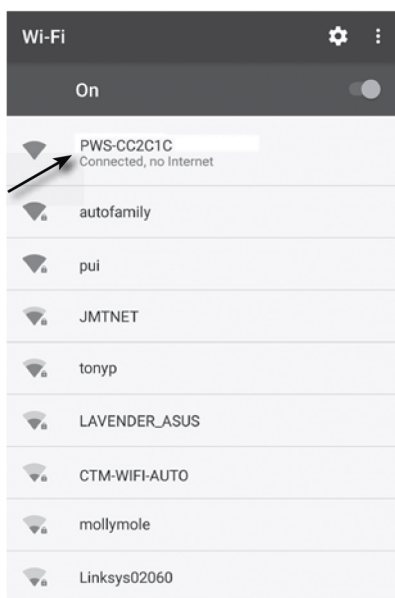


Illustration 4:

WIFI connection status:



1 Stable: Stable: The base station is connected to the WIFI router

2 (6-7) will flash. Blinking: The base station is trying to establish a connection to the WIFI router

3 (6-7) will flash. Console currently in Access Point (AP) mode

3. Once you are successfully connected, open your Internet browser and enter the address **192.168.1.1** in the URL field.
4. Now enter your router data (SSID of your home WIFI router) and weather service data (station ID / station key) and select the service for automatic time transmission.

SETTINGS

SETUP **ADVANCED** 1

Language: English 2

WiFi Router setup

3 Search Router: ROUTER_A 5

4 Add Router 6

Security type: WAP2 7

Router Password: ***** 8

Weather server setup

Wunderground

Station ID: WDw124 9

Station key: ***** 9

Weathercloud

Station ID: IPACIR23Wc 10

Station key: ***** 10

URL: ws.awekas.at 11

Station ID: IDCR21w1 12

Station key: ***** 12

Mac address 00:0E:C6:00:07:10

Time server setup

Server URL: nist.time.gov 13

Time Zone: 0:00 14

Location for sunrise / sunset

*Latitude: 0.0000 North 17

Enter 0 to 90, no negative number

*Longitude: 0.0000 East 17

Enter 0 to 180, no negative number

Hemisphere: N 18

* Depends on the mode I

Firmware version: 1.00

Apply 19

1 Select 'ADVANCED' to enter the advanced settings menu

2 Select language

3 Select 'Search' to search for routers

4 Select 'Add Router' to add routers manually**

5 Select WIFI router (SSID)

6 If the router is not listed, enter SSID manually

7 Select the security type of the router (usually WAP2)

8 Enter the WIFI password of the router (leave the field empty if no password has been assigned)

9 Enter 'Station ID' and 'Station Key' registered with Wunderground*

10 Enter 'Station ID' and 'Station Key' registered with Weathercloud*

11 Add another weather service (e.g. AWEKAS).	12 Enter 'Station ID' and 'Station Key' registered with another service*
13 Select time server	14 Select the time zone of your location
15 Enter latitude	16 Enter longitude
17 Select the direction (e.g. for EU countries the longitude is "East" and for the USA it is "West")	18 Select the hemisphere in which the sensor is located (for USA and EU countries "N", for Australia "S").
19 Press to complete the setting	

Leave field blank if registration is not available or entries are to be made later.

**Manual setup requires additional router information (including e.g. IP address, SSID, etc)

WIFI requirements:

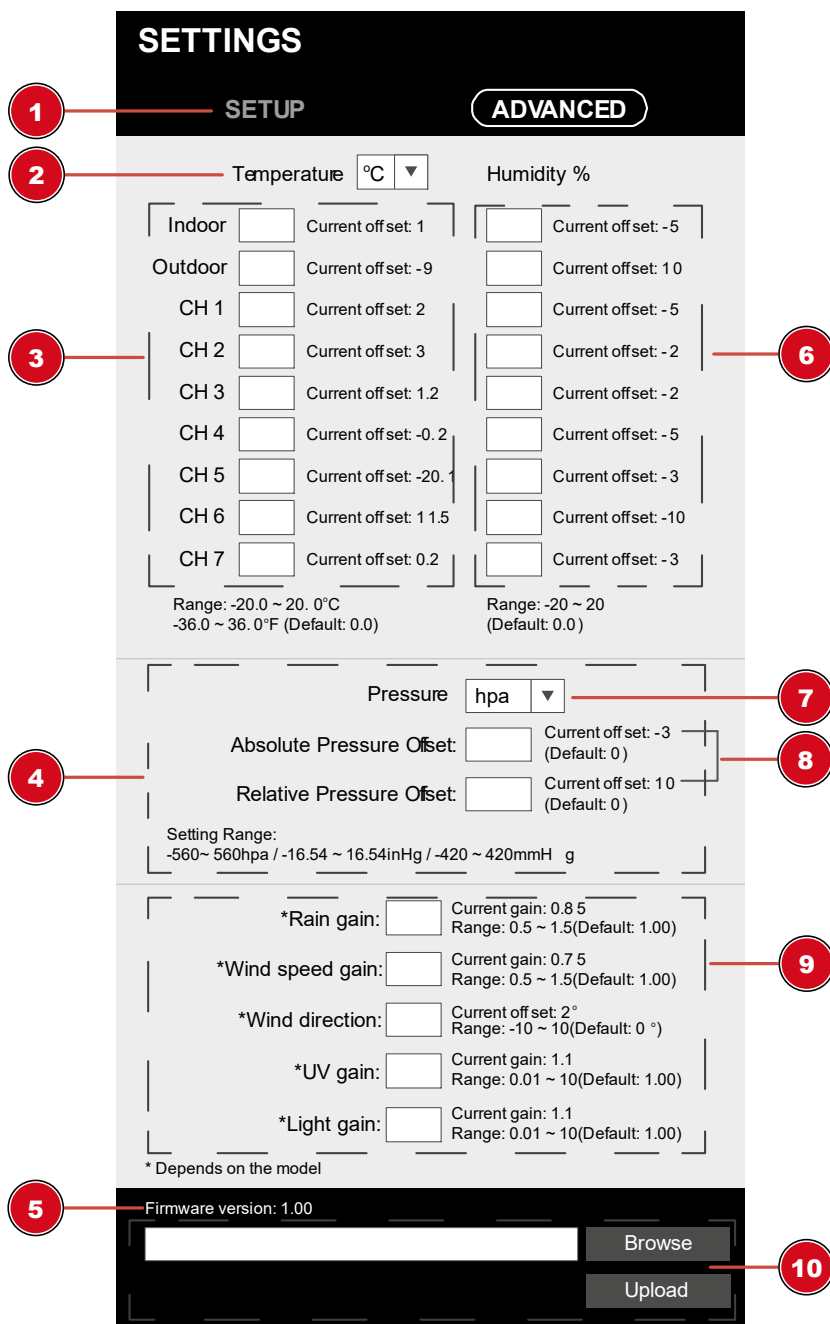
5. Supported devices: Intelligent devices (smart devices) with integrated WIFI AP mode (WIFI access point) and adequate notebooks or PCs.
6. Wi-Fi standard 802.11 b / g / n, supports AP mode
7. Web browser: Internet browser that support HTML 5

Router requirements:

Wi-Fi standard 802.11 b/g/n

Supported router security type WEP, WPA, WPA2, open (for routers without password)

19 Advanced settings



1 Select 'SETUP' to enter the settings menu
3 Temperature calibration indoor/outdoor and channel 1-7

2 Select unit

5 Latest firmware

6 Pressure calibration indoor/outdoor and channel 1-7

7 Select unit

8 Enter an offset value to compensate for the measured pressure value

9 Gain value for rain, wind speed, UV and light calibration. The wind direction has a +/- 10 offset.

10 The firmware update function only available in PC/Mac web browser.

20 Automatic time setting

After the power supply and the Wi-Fi connection are established, the time and date information is automatically transmitted by the Internet time server.

If the time/date information is received correctly, the date and time are set automatically and the reception symbol is displayed.

If the time/date information was not received or not received correctly, proceed as follows:

1. In countries/regions whose time zone differs from the coordinated world time UTC, the time zone must be set manually (see chapter 'Setting the time zone') in order to display the correct time.
2. Press the REFRESH button on the base unit for about 2 seconds to re-initiate the retrieval of Internet time information.
3. Check the W-LAN settings on the base unit for correctness and correct them if necessary so that an Internet connection can be established (see chapter 'Establishing a W-LAN connection').

21 Manual time adjustment

If the station is still in AP mode (AP flashes), first deactivate the reception of the time signal by pressing the SENSOR / WIFI button for about 8 seconds. When AP stops flashing, you can now set the time and date manually.

1. Press the CLOCK-SET button for approx. 3 seconds to enter the time setting mode.
2. Digits to be set are flashing.
3. Press UP or DOWN button to change the value.
4. Press the CLOCK-SET button to confirm the entry and move to the next setting.
5. Settings sequence: Sequence of the settings: Daylight saving time (DST) on/off > Hours > Minutes > 12/24 hour mode > Year > Month > Day > Month-Day/Day-Month > Time synchronization on/off > Language

NOTICE! When setting the time manually, time synchronization must be deactivated.

6. Finally, press the CLOCK-SET button to save the settings and exit the setting mode.

NOTICE! In normal display mode, press the CLOCK SET button to switch between year and date display. In setting mode, press the CLOCK SET button for about 2 seconds to return to normal display mode.

22 Time zone setting

To set a different time zone, proceed as follows:

To automatically set the time display to your time-zone, change the time zone in SETUP page from '0:00' (default) to your time zone (e.g. +1:00 for Germany)

Time server setup

Server URL: ▼




Time Zone: ▼

23 Wake-up call setting

Setting the alarm time

1. Press the ALARM button for approx. 2 seconds to enter the alarm time settings mode.
2. Digits to be set are flashing.
3. Press UP or DOWN button to change the value.
4. Press the ALARM button to confirm the entry and move to the next setting.
5. Settings sequence: Hours > minutes
6. Finally, press the ALARM button to save the settings and exit the settings mode.

Switching the alarm clock (and frost warning) on/off

7. Press the ALARM button to display the alarm time.
8. Press the ALARM button again to enable the alarm. The  symbol will be displayed on the LCD.
9. Press the ALARM button once more to activate the frost warning alarm time. The symbols  and  are shown on the display.
10. To deactivate the alarm and frost warning, press the ALARM button until the alarm icons are no longer displayed.

24 Snooze function

1. When the alarm sound starts, press the ALARM/SNOOZE button to activate the Snooze function. The Alarm will sound again after 5 minutes.
2. When the alarm sound starts, press the ALARM button or press and hold the ALARM/SNOOZE button for approx. 3 seconds, to stop the alarm.
3. The alarm will be turned off automatically if no button is pressed within 2 minutes.

25 Rainfall

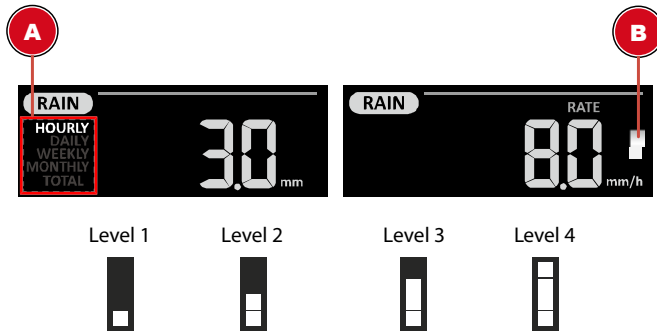
The RAINFALL section shows the rainfall or rain rate information.

TO SET THE RAINFALL UNIT

1. Press and hold [RAIN] button in normal mode for 2 seconds to enter unit setting mode.
2. Press [^] or [v] button, to toggle the unit between mm and in (rainfall) or mm/h and in/h (rain rate).
3. Press [RAIN] button, to confirm and exit the setting.

RAIN DISPLAY

4. Press [RAIN] button to toggle between:
5. HOURLY - the total rainfall in the past hour
6. DAILY - the total rainfall from midnight (default)
7. WEEKLY - the total rainfall of the current week
8. MONTHLY - the total rainfall of the current calendar month
9. TOTAL - the total rainfall since the last reset
10. RATE - Current rainfall rate (base on 10 min rain data)



A - Period of rainfall
 B - Rain rate level

Rain rate level definition:

- Level 1: Light rain (0.1 ~ 2.5 mm/h)
- Level 2: Moderate rain (2.51 ~ 10.0 mm/h)
- Level 3: Heavy rain (10.1 ~ 50.0 mm/h)
- Level 4: Violent rain (> 50.0 mm/h)

TO RESET THE TOTAL RAINFALL RECORD

Press and hold [HISTORY] button in Normal mode for 2 seconds to reset all the rainfall record.

NOTE:

To ensure to have correct data, please reset all the rainfall record when you reinstall your wireless 7-IN-1 sensor to other location.




26 Light intensity, UV index and sunburn time

This section shows the light intensity level, UV index and sunburn time. Press the SUN button to change the mode.

<p>SUN</p> <p>LIGHT</p> <p>12.8 <small>Klux</small></p>	<p>Light intensity</p> <ol style="list-style-type: none"> During the light intensity mode, press the SUN button for about 3 seconds to enter the setting. Press UP or DOWN button to change the value. Setting sequence: Klux > Kfc > W/m² Finally, press the SUN button to save the settings and exit settings mode.
<p>SUN</p> <p>UV INDEX</p> <p>6.2</p>	<p>UV index</p> <p>This mode shows the current UV index detected by the outdoor sensor. The corresponding hazard level and the recommended protection indicator are also displayed.</p>
<p>SUN</p> <p>SUNBURN TIME</p> <p>30 <small>Min</small></p>	<p>Sunburn time</p> <p>This mode is showing the recommend sunburn time that according to current UV level.</p>

UV index and sunburn schedule

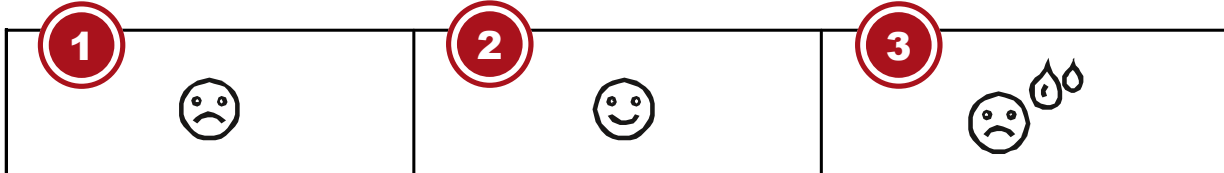
Exposure level	Low	Moderate	High	Very high	Extreme
----------------	-----	----------	------	-----------	---------

UV Index	1	2	3	4	5	6	7	8	9	10	11	12-16
Sunburn time	N/A		45 minutes			30 minutes		15 minutes			10 minutes	
Recommended protection indicator	N/A											
			Moderate or high UV level! It is recommended to wear sunglasses, a broad brim hat and long-sleeved clothing.				Very high or extreme UV level! It is recommended to wear sunglasses, a broad brim hat and long-sleeved clothing. If you have to stay outside, make sure to seek shade.					

27 Manual measurement display

1. Press the MAX/MIN button several times to display the stored values one after the other.
2. Display sequence: Temperature MAX (outdoor) > Temperature MIN (outdoor) > Humidity MAX (outdoor) > Humidity MIN (outdoor) > Temperature MAX (indoor) or current channel > Temperature MIN (indoor) or current channel > Average wind speed MAX > Gust MAX > Feels like MAX > Feels like MIN > Dew point MAX > Dew point MIN > Heat index MAX > Heat index MIN > Temperature felt (wind chill) MAX > UV Index MAX > Light Intensity MAX > Relative Air Pressure MAX > Relative Air Pressure MIN > Absolute Air Pressure MAX > Absolute Air Pressure MIN > Rain rate MAX
3. Press and hold the MAX/MIN button for about 3 seconds during each display to clear the currently selected value.

28 Clima indication (indoor)



1 too cold

2 comfortable

3 too warm

The clima indication is a pictorial indication based on indoor air temperature and humidity in an attempt to determine comfort level.

Note:

- Comfort indication can vary under the same temperature, depending on the humidity.
- There is no comfort indication when temperature is below 0° C (32° F) or over 60° C (140° F)

29 Moon phases

In the Northern hemisphere, the moon waxes from the right. Hence the sun-lit area of the moon moves from right to left in the Northern hemisphere, while in the Southern hemisphere, it moves from left to right. Below are the 2 tables which illustrate how the moon will appear on the main unit.

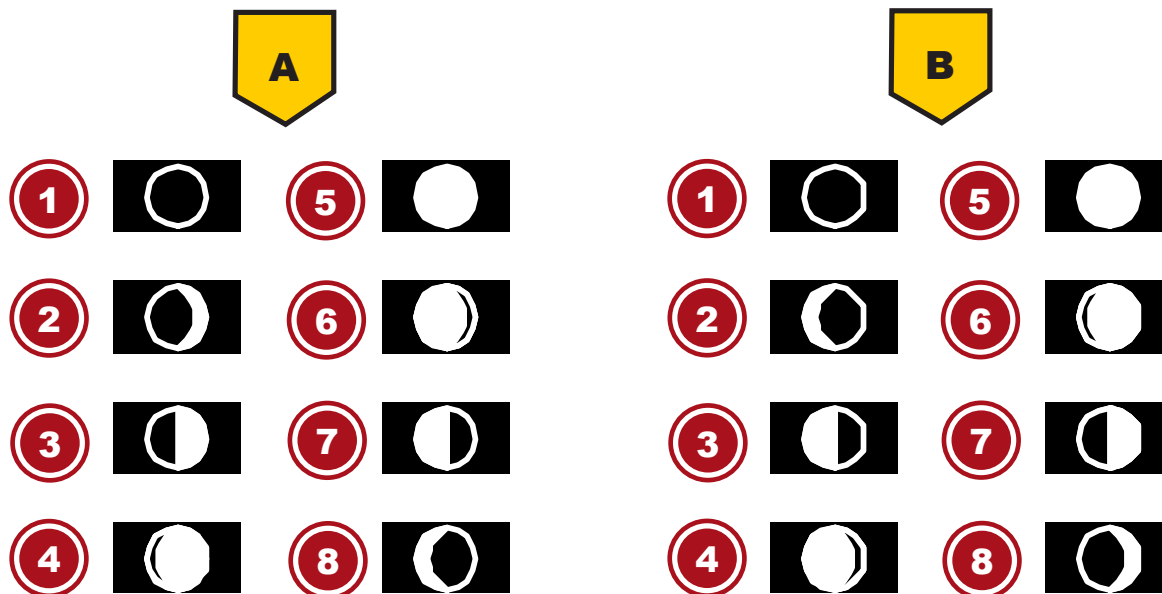


Illustration 5: (A) Northern hemisphere, (B) Southern hemisphere

1 New moon	2 Waxing crescent
3 First quarter	4 Waxing gibbous
5 Full moon	6 Waning gibbous
7 Third quarter	8 Waning crescent

30 Weather trend

A weather trend for the next 12-24 hours is calculated from the measured values and displayed graphically as follows:

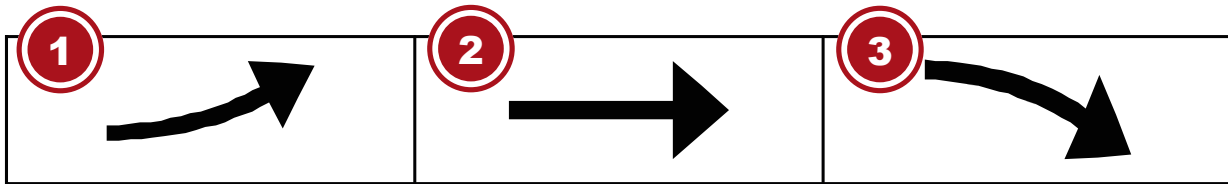


1 Sunny	2 Partly Cloudy
3 Cloudy	4 Rainy
5 Rain/ stormy	6 Snowy

Note:

- The accuracy of a pressure-based weather forecast is about 70% to 75%.
- The weather forecast is meant for the next 12 hours, it may not necessarily reflect the current situation.
- The snow weather forecast is not based on air pressure, but on the outdoor temperature. When the outdoor temperature is below -3°C (26°F), the snow symbol is shown on the LCD display.

31 Trend arrow indicators



1 Rising

2 Steady

3 Falling

The temperature and humidity trend indicator shows the trends of changes in the forthcoming few minutes. Arrows indicate a rising, steady or falling trend.

32 Barometric / Atmospheric Pressure

Atmospheric pressure (hereinafter referred to as "air pressure") is the pressure at any place on earth caused by the weight of the layer of air above it. Air pressure is proportional to average pressure and decreases gradually with altitude. Meteorologists use barometers to measure air pressure. Because the weather is highly dependent on changes in air pressure, it is possible to make a weather forecast from the measured changes in air pressure.

To display the barometric pressure in a different unit of measurement

In normal display mode, press the BARO button for about 2 seconds to change the unit in this order: (hPa, inHg or mmHg).

Change the mode from (ABS) Absolute Air Pressure to (REL) Relative Air Pressure

In normal display mode, press the BARO button to toggle between absolute air pressure and relative air pressure.

- **NOTICE!**
- **NOTICE! ABS: Absolute air pressure at your current location**
- **NOTICE! REL: Relative air pressure based on sea level (N.N.)**
- **NOTICE! The default relative air pressure value is 1013 mbar/hPa (29.91 inHg), which is relative to the average air pressure value.**
- **NOTICE! If the value for the relative air pressure is changed, the weather displays also change as a result.**
- **NOTICE! The built-in barometer registers changes in absolute air pressure caused by the environment. Based on the collected data, a forecast for the weather conditions in the next 12 hours can be made. The weather indicators change according to the determined absolute air pressure after only one hour of operation.**
- **NOTICE! The relative air pressure is based on sea level, but it also changes with changes in absolute air pressure after one hour of operation.**

33 Beaufort scale

The Beaufort scale is an international scale of wind velocities from 0 (calm) to 12 (Hurricane force).

Beaufort number	Description	Speed
-----------------	-------------	-------

0	calm	< 1 km/h < 1 mph < 1 knots < 0.3 m/s
1	light air	1.1-5.5 km/h 1-3 mph 1-3 knots 0.3-1.5 m/s
2	light breeze	5.6-11 km/h 4-7 mph 1-3 knots 0.3-1.5 m/s
3	gentle breeze	12-19 km/h 8-12 mph 7-10 knots 3.5-5.4 m/s
4	moderate breeze	20-28 km/h 13-17 mph 11-16 knots 5.5-7.9 m/s
5	fresh breeze	29-38 km/h 18-24 mph 17-21 knots 8.0-10.7 m/s
6	strong gale	39-49 km/h 25-30 mph 22-27 knots 10.8-13.8 m/s
7	high wind	50-61 km/h 31-38 mph 28-33 knots 13.9-17.1 m/s
8	gale	62-74 km/h 39-46 mph 34-40 knots 17.2-20.7 m/s
9	strong gale	75-88 km/h 47-54 mph 41-47 knots 20.8-24.4 m/s
10	storm	89-102 km/h 55-63 mph 48-55 knots 24.5-28.4 m/s
11	violent storm	103-117 km/h 64-73 mph 56-63 knots 28.5-32.6 m/s
12	hurricane force	> 118 > 74 mph > 64 knots 32.7 m/s

34 'Feels like' temperature

The 'feels like' temperature corresponds on the outside temperature perceived by the human body. It is a collective mix of wind chill factor (18°C/64°F or lower) and heat index (26°C/78°F or higher). At temperatures in the range between 18°C/64°F and 26°C/78°F, where both wind and humidity have less influence on the temperature, the unit displays the actual measured outdoor temperature as the 'feels like' temperature.

The following graph illustrates the increasing danger to the human organism when the heat index or wind chill increases.

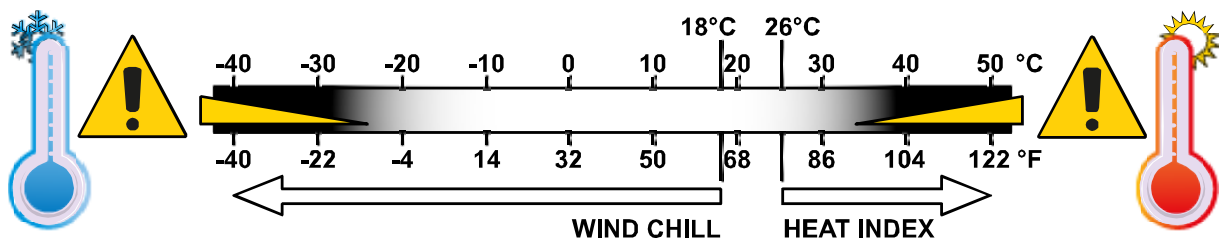


Illustration 6: Proportionality of heat index and wind chill.

35 Heat index

Press the INDEX button several times until HEAT INDEX is displayed.

Heat index	Warning	Meaning
------------	---------	---------

> 55° C (> 130° F)	Extreme danger	Strong risk of dehydration / sun stroke
41° C – 54° C (106° F – 129° F)	Danger	Heat exhaustion likely
33° C – 40° C (91° F – 105° F)	Extreme caution	Possibility of dehydration
27° C – 32° C (80° F – 90° F)	Caution	Possibility of heat exhaustion

Notice:

The perceived temperature is based on the common effects of temperature and humidity. Heat index is only calculated when room temperature is at 27° (80° F) or higher. The displayed perceived temperature is calculated solely from temperature and humidity and is measured by the outdoor sensor.

36 Dew point

Press the INDEX button several times until DEW POINT is displayed.

Note:

The dew point is the temperature below which the water vapor in air at constant barometric pressure condenses into liquid water at the same rate at which it evaporates. The condensed water is called dew when it forms on a solid surface. The dewpoint temperature is calculated from the indoor temperature and humidity measured at the main unit.



37 History record for the past 24 hours

The base station automatically records and displays data of the past 24 hours.

1. Press the HISTORY button to check history records of the last hour.
2. Press the HISTORY button several times to display the history records of the hours 2,3,4,5

38 Adjusting the display brightness

The display brightness is controlled by the dimmable backlight and can be adjusted to the ambient lighting conditions:

- Move the **[HI/LO/AUTO]** switch to change the display brightness. Order of brightness levels: bright **[HI]** > dark **[LO]** > automatic **[AUTO]**
- **[AUTO]** will automatically adjust the display brightness to the environment via the integrated light sensor on the top of the housing.
- Press the [ / ] button several times to adjust the contrast of the numbers and letters in the display so that the display representation works with the table base or wall mounting.

39 Viewing Live weather data with Weather Underground

1. To view the live data of your multisensor in a web browser, please visit wunderground.com and enter your "Station ID" in the search field in the menu bar.

2. You can download the Weather Underground Smartphone App to view the live weather data of your weather station via Android or iOS devices (for more information, please visit: <https://www.wunderground.com/download>)

40 Retrieve Weathercloud weather data

1. To view the live data from your multi-sensor in a web browser, please visit weathercloud.net and log in to your own account.
2. Click on the "View" icon within the "Settings" pop-up menu of your station.

41 Setup the station to transmit weather data to AWEKAS

You have the possibility to use a weather service of a third party provider, as shown here with the example of AWEKAS (<https://join.awekas.at>).

The screenshot shows a form titled "Weather server setup" with three input fields. The first field is labeled "Web server URL:r" and contains the text "http://ws.awekas.at". The second field is labeled "Station ID:". The third field is labeled "Station Password:" and has a small eye icon to its right. Three red circles with numbers 1, 2, and 3 are positioned to the right of the form, with red lines pointing to the respective input fields.

- | | |
|---|------------------|
| 1 Enter the server URL: http://ws.awekas.at | 2 Enter username |
| 3 Enter password | |

42 Troubleshooting

Problem	Solution
The 7-in-1 wireless sensor connection is interrupted or has no connection	<ol style="list-style-type: none"> 1. Make sure that the sensor is within the transmission range. 3. If it still does not work, reset the sensor and resynchronize it with the base station.
The wireless indoor sensor is temporarily interrupted or disconnected	<ol style="list-style-type: none"> 1. Make sure that the sensor is within the transmission range. 2. Make sure that the displayed channel matches the channel selection on the sensor 3. If it still does not work, reset the sensor and resynchronize it with the base station.
No WIFI connection	<ol style="list-style-type: none"> 1. Check whether the WIFI symbol is shown on the display. It should always be displayed. 2. Make sure that you connect to your WIFI router using the 2.4G band and not the 5G band.
Data is not sent to wunderground.com or weathercloud.net.	<ol style="list-style-type: none"> 1. Make sure that your Station ID and Station Key are correct. 2. Make sure that the date and time on the tablet are correct. If they are incorrect, you may be reporting old data rather than real-time data. 3. Make sure that your time zone is set correctly. If it is set incorrectly, you may report old data rather than real-time data.

Wunderground Precip. Accum. Total graph offset 1 hour reset time (during summer time)	<ol style="list-style-type: none"> 1. Make sure that the device's time zone is correctly set to Wunderground. 2. Make sure that the time zone and daylight saving time on your base station are correct. 3. If you have located your station outside the U.S. time zone region in Wunderground, daylight saving time is invalid. To solve this problem, please disable the DST function in the base station.
Rainfall is not correct	<ol style="list-style-type: none"> 1. Please keep the rain collector clean 2. Make sure that the tipping bucket inside can function smoothly.
Temperature reading too high during the day	<ol style="list-style-type: none"> 1. 1,5. Place the sensor in an open area and at least 1.5 m above the ground. 2. Make sure that the sensor location is not too close to heat generating sources or obstacles such as buildings, pavement, walls, or air conditioning units.

43 EC declaration of conformity



A "Declaration of conformity" in accordance with the applicable directives and corresponding standards has been prepared by Bresser GmbH. The full text of the EC declaration of conformity is available at the following Internet address: www.bresser.de/download/7002586_7902586/CE/7002586_7902586_CE.pdf

44 UKCA Declaration of Conformity



Bresser GmbH has issued a "Declaration of Conformity" in accordance with applicable guidelines and corresponding standards. The full text of the UKCA declaration of conformity is available at the following internet address: www.bresser.de/download/7002586_7902586/UKCA/7002586_7902586_UKCA.pdf

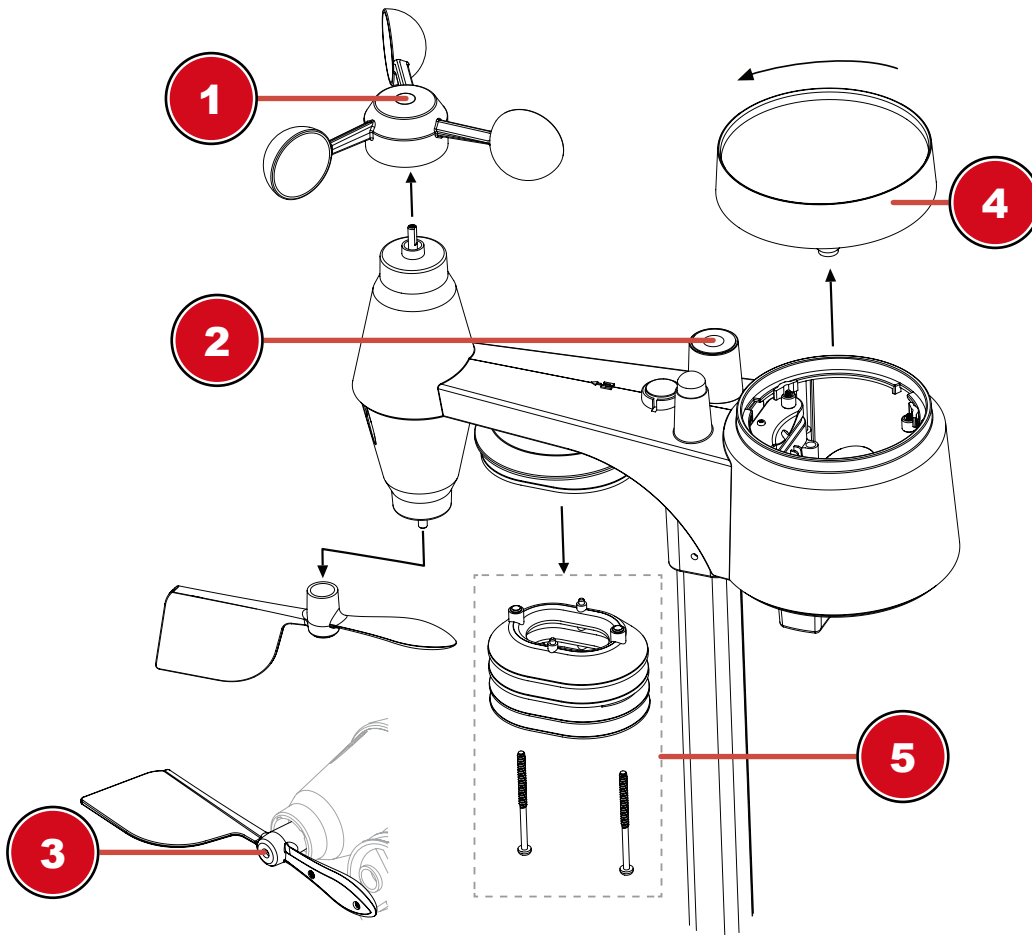
Bresser UK Ltd. • Suite 3G, Eden House, Enterprise Way, Edenbridge, Kent TN8 6Hf, Great Britain

45 Warranty

The regular warranty period is 5 years and starts on the day of purchase. For full warranty terms and services, please visit www.bresser.de/warranty_terms.

46 Cleaning and maintenance

- Before cleaning the device, disconnect it from the power supply (remove plug or remove batteries)!
- Only clean the device externally using a dry cloth. Do not use cleaning solution to prevent damage to the electronic parts.



1 Replace the wind cups

- Remove rubber cap and unscrew
- Remove the wind cup for replacement

2 Cleaning the UV sensor and calibration

- For the most accurate readings, please use pure water to clean the UV sensor cover lens before mounting, and then periodically.
- You can also calibrate the UV index with some instrument grade UV meter to maintain a high accuracy of the UV index reading.

3 Replace the wind vane

- Unscrew and remove the wind vane for replacement

4 Cleaning the rain collector (sinkhole)

- Rotate the rain collector by 30° anticlockwise.
- Gently remove the rain collector
- Clean and remove any debris or insects.
- Install all parts when they are fully clean and dried.

5 Cleaning the thermo/hygro sensor

- Unscrew the 2 screws at the bottom of the radiation shield.
- Gently pull out the shield.
- Remove carefully any dirt or insects inside the sensor casing.

Note :

The radiation shield comprises different parts inserted one inside another. Two bottom parts are closed. Do not change their order! Do not let the sensors inside get wet!

- Clean the shield with water and remove any dirt or insects.
- Install all the parts back when they are fully clean and dried.

47 Disposal



Dispose of the packaging materials properly, according to their type, such as paper or cardboard. Contact your local waste-disposal service or environmental authority for information on the proper disposal.



Do not dispose of electronic devices in the household garbage!

According to the European Directive 2012/19/EU on Waste Electrical and Electronic Equipment and its transposition into national law, used electrical equipment must be collected separately and recycled in an environmentally sound manner.



Batteries and rechargeable batteries must not be disposed of with household waste. You are legally obliged to return used batteries and accumulators and can return the batteries after use either in our sales outlet or in the immediate vicinity (e.g. in the trade or in municipal collection points) free of charge.

Batteries and accumulators are marked with a crossed-out dustbin and the chemical symbol of the pollutant, "Cd" stands for cadmium, "Hg" stands for mercury and "Pb" stands for lead.



Cd¹



Hg²



Pb³

Inhaltsverzeichnis

1	Impressum	33
2	Gültigkeitshinweis	33
3	Zu dieser Anleitung	33
4	Allgemeine Sicherheitshinweise	34
5	Teileübersicht Basisstation	35
6	Teileübersicht Multisensor	36
7	Lieferumfang	37
8	Displayanzeigen	37
9	Vor der Inbetriebnahme	38
10	Die ersten Schritte	38
11	Stromversorgung herstellen	38
12	Gummibeläge anbringen	39
13	Multifunktions-Funksensor montieren und anbringen	40
14	Signalübertragung	41
15	Benutzerkonto für Weather Underground einrichten (optional)	41
16	Benutzerkonto für weathercloud einrichten (optional)	41
17	Benutzerkonto für weitere Wetterdienste (z.B. AWEKAS) einrichten	42
18	Konfiguration / W-LAN-Verbindung herstellen	42
19	Erweiterte Einstellungen	45
20	Automatische Zeiteinstellung	46
21	Manuelle Zeiteinstellung	46
22	Zeitzone einstellen	46
23	Weckrufeinstellung	47
24	Schlummerfunktion	47
25	Niederschlag	47
26	Lichtintensität, UV-Index und Sonnenbrandzeit	48
27	Manuelle Messwertanzeige	49
28	Klimaindikator (innen)	49
29	Mondphasen	50
30	Wettertrend	50
31	Trendpfeile	51
32	Barometrischer / Atmosphärischer Luftdruck	51
33	Beaufort-Skala	52
34	Gefühlte Temperatur (Feels like)	52

35 Hitzeindex.....	53
36 Taupunkt	53
37 Historie-Daten der letzten 24 Stunden.....	53
38 Helligkeit der Displayanzeige regulieren.....	54
39 Weather Underground Live Wetterdaten abrufen	54
40 Weathercloud Wetterdaten abrufen	54
41 Einrichtung der Station zur Übertragung der Wetterdaten an AWEKAS	54
42 Fehlerbehebung.....	54
43 EG-Konformitätserklärung	55
44 Garantie	55
45 Reinigung und Wartung.....	56
46 Entsorgung	57

1 Impressum

Bresser GmbH
Gutenbergstr. 2
46414 Rhede
Germany
www.bresser.de

Für etwaige Gewährleistungsansprüche oder Serviceanfragen verweisen wir auf die Informationen zu „Garantie“ und „Service“ in dieser Dokumentation. Wir bitten um Verständnis, dass direkt an die Hersteller-Anschrift gerichtete Anfragen oder Einsendungen nicht bearbeitet werden können.

Irrtümer und technische Änderungen vorbehalten.

© 2021 Bresser GmbH

Alle Rechte vorbehalten.

Die Reproduktion dieser Dokumentation – auch auszugsweise – in irgendeiner Form (z.B. Fotokopie, Druck, etc.) sowie die Verwendung und Verbreitung mittels elektronischer Systeme (z.B. Bilddatei, Website, etc.) ohne eine vorherige schriftliche Genehmigung des Herstellers ist nicht gestattet.

Die in dieser Dokumentation verwendeten Bezeichnungen und Markennamen der jeweiligen Firmen sind im Allgemeinen in Deutschland, der Europäischen Union und/oder weiteren Ländern waren-, marken- und/oder patentrechtlich geschützt.

2 Gültigkeitshinweis

Diese Dokumentation ist gültig für die Produkte mit den nachfolgend aufgeführten Artikelnummern:
7002586 7902586

Anleitungsversion: 0721

Bezeichnung dieser Anleitung:

Manual_7002586_WIFI-ClearView-7in1_en-de_BRESSER_v072021a

Informationen bei Serviceanfragen stets angeben.

3 Zu dieser Anleitung



HINWEIS

Diese Bedienungsanleitung ist als Teil des Gerätes zu betrachten!

Lesen Sie vor der Benutzung des Geräts aufmerksam die Sicherheitshinweise und die Bedienungsanleitung.

Bewahren Sie diese Bedienungsanleitung für die erneute Verwendung zu einem späteren Zeitpunkt auf. Bei Verkauf oder Weitergabe des Gerätes ist die Bedienungsanleitung an jeden nachfolgenden Besitzer/Benutzer des Produkts weiterzugeben.

4 Allgemeine Sicherheitshinweise



GEFAHR

Gefahr eines Stromschlags!

Dieses Gerät beinhaltet Elektronikteile, die über eine Stromquelle (Netzteil und/oder Batterien) betrieben werden. Bei unsachgemäßer Verwendung dieses Produkts besteht die Gefahr eines Stromschlags. Ein Stromschlag kann zu schweren bis tödlichen Verletzungen führen. Beachten Sie daher unbedingt die nachfolgenden Sicherheitsinformationen.

- Lassen Sie Kinder beim Umgang mit dem Gerät nie unbeaufsichtigt! Die Nutzung darf nur, wie in der Anleitung beschrieben, erfolgen, andernfalls besteht die Gefahr eines Stromschlags!
- Unterbrechen Sie die Stromzufuhr, wenn Sie das Gerät nicht benutzen, im Falle einer längeren Betriebsunterbrechung sowie vor allen Wartungs- und Reinigungsarbeiten, indem Sie den Netzstecker ziehen.
- Platzieren Sie Ihr Gerät so, dass es jederzeit vom Stromnetz getrennt werden kann. Die Netzsteckdose sollte sich immer in der Nähe Ihres Geräts befinden und gut zugänglich sein, da der Stecker des Netzkabels als Trennvorrichtung zum Stromnetz dient.
- Um das Gerät vom Stromnetz zu trennen, ziehen Sie immer am Netzstecker und niemals am Kabel!
- Überprüfen Sie das Gerät, die Kabel und Anschlüsse vor Inbetriebnahme auf Beschädigungen.
- Beschädigtes Gerät oder ein Gerät mit beschädigten stromführenden Teilen niemals in Betrieb nehmen! Beschädigte Teile müssen umgehend von einem autorisierten Service-Betrieb ausgetauscht werden.
- Betreiben Sie das Gerät nur in vollkommen trockener Umgebung und berühren Sie das Gerät nicht mit nassen oder feuchten Körperteilen.



GEFAHR

Erstickungsgefahr!

Bei unsachgemäßer Verwendung dieses Produkts besteht Erstickungsgefahr, insbesondere für Kinder. Beachten Sie deshalb unbedingt die nachfolgenden Sicherheitsinformationen.

- Verpackungsmaterialien (Plastiktüten, Gummibänder, etc.) von Kindern fernhalten! Es besteht Erstickungsgefahr!
- Dieses Produkt beinhaltet Kleinteile, die von Kindern verschluckt werden können! Es besteht Erstickungsgefahr!



GEFAHR

Explosionsgefahr!

Bei unsachgemäßer Verwendung dieses Produkts besteht Explosionsgefahr. Beachten Sie unbedingt die nachfolgenden Sicherheitsinformationen, um eine Explosion zu vermeiden.

- Setzen Sie das Gerät keinen hohen Temperaturen aus. Benutzen Sie nur das mitgelieferte Netzteil oder die empfohlenen Batterien. Gerät und Batterien nicht kurzschließen oder ins Feuer werfen! Durch übermäßige Hitze und unsachgemäße Handhabung können Kurzschlüsse, Brände und sogar Explosionen ausgelöst werden!



HINWEIS

Gefahr von Sachschäden!

Bei unsachgemäßer Handhabung können das Gerät und/oder die Zubehörteile beschädigt werden. Verwenden Sie das Gerät deshalb nur entsprechend den nachfolgenden Sicherheitsinformationen.

- Bauen Sie das Gerät nicht auseinander! Wenden Sie sich im Falle eines Defekts an Ihren Fachhändler. Er nimmt mit dem Service-Center Kontakt auf und kann das Gerät ggf. zwecks Reparatur einschicken.
- Setzen Sie das Gerät keinen hohen Temperaturen aus und schützen Sie es vor Wasser und hoher Luftfeuchtigkeit.
- Gerät nicht in Wasser tauchen!
- Setzen Sie das Gerät keinen Erschütterungen aus.
- Verwenden Sie für dieses Gerät nur Zubehör- und Ersatzteile die den technischen Angaben entsprechen.
- Nur die empfohlenen Batterien verwenden. Schwache oder verbrauchte Batterien immer durch komplett neuen Satz Batterien mit voller Kapazität ersetzen. Keine Batterien unterschiedlicher Marken, Typen oder mit unterschiedlich hoher Kapazität verwenden. Batterien aus dem Gerät entfernen wenn es längere Zeit nicht benutzt wird.
- Verwenden Sie keine wieder aufladbaren Batterien (Akkus).



HINWEIS

Gefahr von Spannungsschäden!

Für Spannungsschäden in Folge falsch eingelegter Batterien oder durch die Nutzung eines nicht geeigneten Netzteils übernimmt der Hersteller keine Haftung!

5 Teileübersicht Basisstation

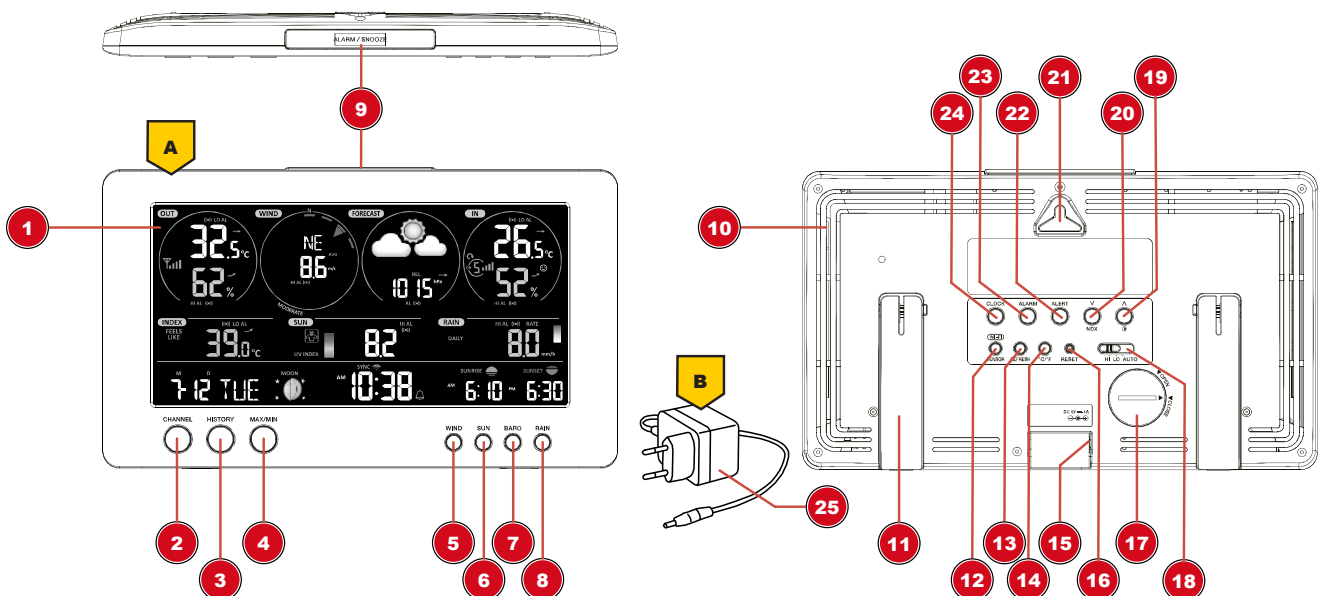


Abb. 1: Alle Teile der Basisstation

1 Display	2 CHANNEL-Taste (Außensensor-Kanalwahl)
3 HISTORY-Taste (Abruf aufgezeichneter Messdaten)	4 MAX/MIN-Taste (Abruf aufgezeichneter Höchst-/Tiefwerte)
5 WIND-Taste	6 SUN-Taste

7 BARO-Taste	8 RAIN-Taste
9 ALARM/SNOOZE-Taste	10 Lüftungsschlitze
11 Standfuß (ausklappbar)	12 WIFI/SENSOR-Taste
13 REFRESH-Taste	14 °C/°F-Taste
15 Stromanschlussbuchse	16 RESET-Taste
17 Batteriefach (Notstromversorgung)	18 HI/LO/AUTO-Wahlschalter
19 UP/Kontrast-Taste	20 DOWN/NDX-Taste
21 Vorrichtung für Wandmontage	22 ALERT-Taste (Einstellung d. HI/LO-Alarm)
23 ALARM-Taste (Weckzeit-Einstellung)	24 CLOCK SET-Taste (Uhrzeit- und benutzerdef. Einstellungen)
25 Netzteil	

6 Teileübersicht Multisensor

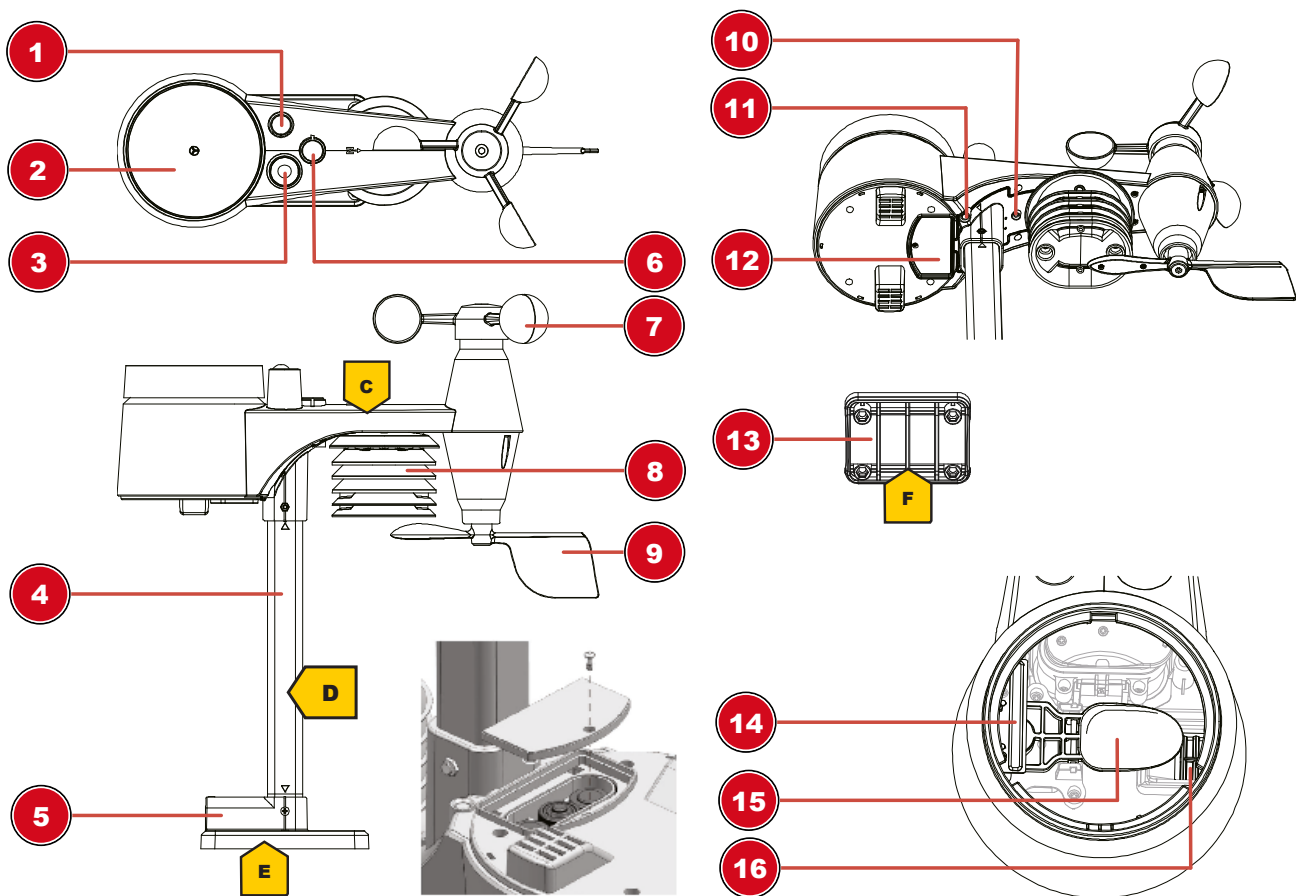


Abb. 2: Alle Teile des Multisensors

1 Antenne	2 Regensammelbehälter
3 UV Sensor	4 Montagestab
5 Montagefuß	6 Dosenlibelle
7 Windschalen (Windrichtung)	8 Thermo-/Hygrometer
9 Windfahne (Windrichtung)	10 LED-Funktionsleuchte
11 RESET-Knopf	12 Batteriefachdeckel
13 Montageklemme (Rohrschelle)	14 Regensensor
15 Kippbehälter	16 Ablauflöcher

7 Lieferumfang

Basisstation (A), Netzadapter (B), multifunktionaler Außensensor (C), Montagestab (D), Montageschuh (E), Rohrschelle (F), Schrauben, Bedienungsanleitung

Außerdem erforderlich (nicht im Lieferumfang enthalten):

3 Stück 1.5V Batterien Typ AA (Außensensor)

Backup Batterie (nicht im Lieferumfang enthalten):

1 Stück Knopfzelle Typ CR2032 (Basisstation)

8 Displayanzeigen

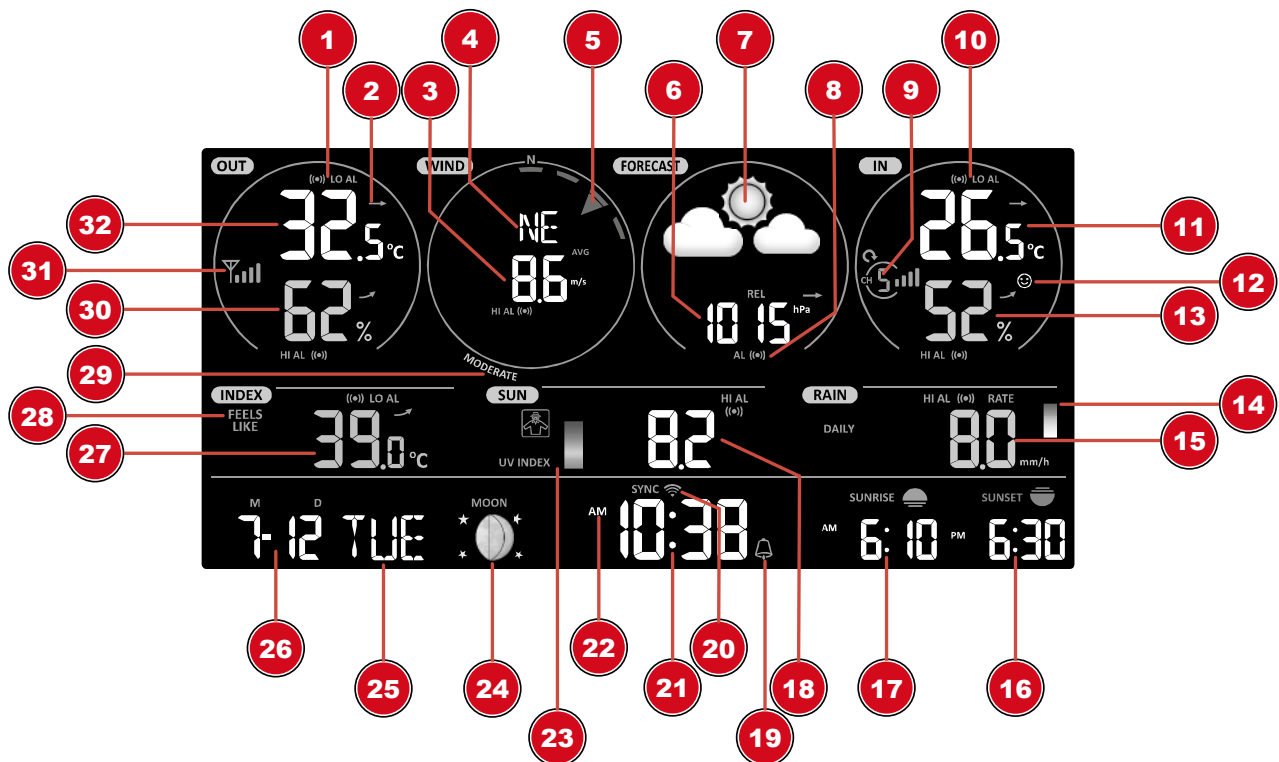


Abb. 3: Display-Anzeigen der Basisstation

1 Symbol für aktiven Höchst- (HI) oder Tiefstwertalarm (LO) (Außenbereich)	2 Trendpfeil (gleich bleibend, steigend oder sinkend)
3 Windgeschwindigkeitswert	4 Windrichtung (benannt)
5 Windrichtung (grafisch)	6 Luftdruckwert
7 Grafische Wettervorhersage (12 Stunden)	8 Luftdruckalarm
9 Innensensorkanal und Symbol für die Signalempfangsstärke	10 Symbol für aktiven Höchst- (HI) oder Tiefstwertalarm (LO) (Innenbereich)
11 Innentemperatur (Station oder Sensor)	12 Raumklimaindikator
13 Luftfeuchtigkeit (Innenbereich)	14 Regenrate (grafisch)
15 Niederschlagswert	16 Sonnenuntergangszeit
17 Sonnenaufgangszeit	18 UV-Wert
19 Symbol für aktiven Weckruf	20 Symbol für WLAN-Verbindungsstatus und Internet-Zeit-Synchronisation
21 Aktuelle Uhrzeit oder Weckzeit (Stunden:Minuten)	22 AM/PM-Information im 12-Stunden-Modus
23 UV-Index (grafisch)	24 Mondphase (grafisch)
25 Wochentag	26 Datum (Monat-Tag oder umgekehrt)

27	Temperaturwert entsprechend dem gewählten Wetter-Index	28	Wetter-Index (gefühlte Taupunkt, Hitze, Windkühle)
29	Windstärke (Einordnung nach Beaufort)	30	Luftfeuchtigkeit (Außenbereich)
31	Multifunktionsaußensensor: Symbol für die Signalempfangsstärke des Multifunktionsensors	32	Außentemperatur

9 Vor der Inbetriebnahme



HINWEIS

Vermeidung von Verbindungsstörungen!

Um Verbindungsstörungen zwischen den Geräten zu vermeiden, sind die folgenden Punkte bei der Inbetriebnahme zu beachten.

1. Basisgerät (Empfänger) und Sensor (Sender) so nah wie möglich nebeneinander stellen/legen.
2. Stromversorgung für das Basisgerät herstellen und warten bis die Innentemperatur angezeigt wird.
3. Stromversorgung für den Sensor herstellen.
4. Basisgerät und Sensor innerhalb des effektiven Übertragungsbereichs aufstellen/betreiben.
5. Sicherstellen, dass Basisgerät und Funksensor auf den gleichen Kanal eingestellt sind.

Bei einem Batteriewechsel stets die Batterien sowohl im Basisgerät als auch im Sensor entfernen und in richtiger Reihenfolge wieder neu einsetzen, damit die Funkverbindung erneut aufgebaut werden kann. Wird eines der beiden Geräte über einen Netzstromanschluss betrieben, so muss auch für dieses bei einem Batteriewechsel kurzzeitig die Stromverbindung getrennt werden. Werden z.B. nur die Batterien im Sensor ausgetauscht, kann das Signal anschließend gar nicht oder nicht mehr korrekt empfangen werden.

Beachten Sie, dass die tatsächliche Reichweite von den jeweils verwendeten Baumaterialien der Gebäude sowie der jeweiligen Position der Basiseinheit und des Außensensors abhängt. Durch externe Einflüsse (diverse Funksender und andere Störquellen) kann sich die mögliche Reichweite stark verringern. In solchen Fällen empfehlen wir, sowohl für das Basisgerät als auch den Außensensor andere Standorte zu suchen. Manchmal reicht schon ein Verschieben um wenige Zentimeter!

10 Die ersten Schritte

Befolgen Sie die Punkte in der angegebenen Reihenfolge, um eine erfolgreiche Einrichtung zu gewährleisten.

1. Stromversorgung herstellen (Basisstation und Funksensor)
2. Funksensor montieren
3. Die Basisstation befindet sich jetzt im AP-Modus (AP blinkt) und ist bereit für die Erstinbetriebnahme.
4. Ein Konto bei einem mit Ihrer Station kompatiblen Wetterdienst Anbieter erstellen, z.B. wunderground.com oder weathercloud.net und die Station Ihrem Konto hinzufügen („My Profile“ / „Add Weather station“) oder („Devices“ / „+ New“). Die Station ID und das Passwort notieren, da diese im nächsten Schritt benötigt werden.
5. Basisstation einrichten (Die WIFI / Router Verbindung herstellen)
6. Wetterdaten abrufen über Web, Mobile oder Tablet

11 Stromversorgung herstellen

Basisgerät

1. DC-Stecker in die Anschlussbuchse am Basisgerät stecken.

-
2. Netzstecker in die Steckdose stecken.
 3. Das Gerät wird direkt mit Strom versorgt.

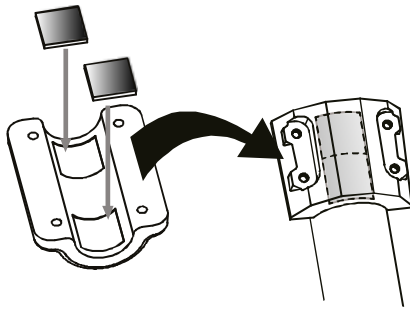
Installation der Backup Batterie:

1. Batteriefachdeckel entfernen.
2. Batterie in das Batteriefach einsetzen. Dabei die korrekte Ausrichtung der Batteriepole (+/-) beachten.
3. Batteriefachdeckel wieder aufsetzen.

Funksensor

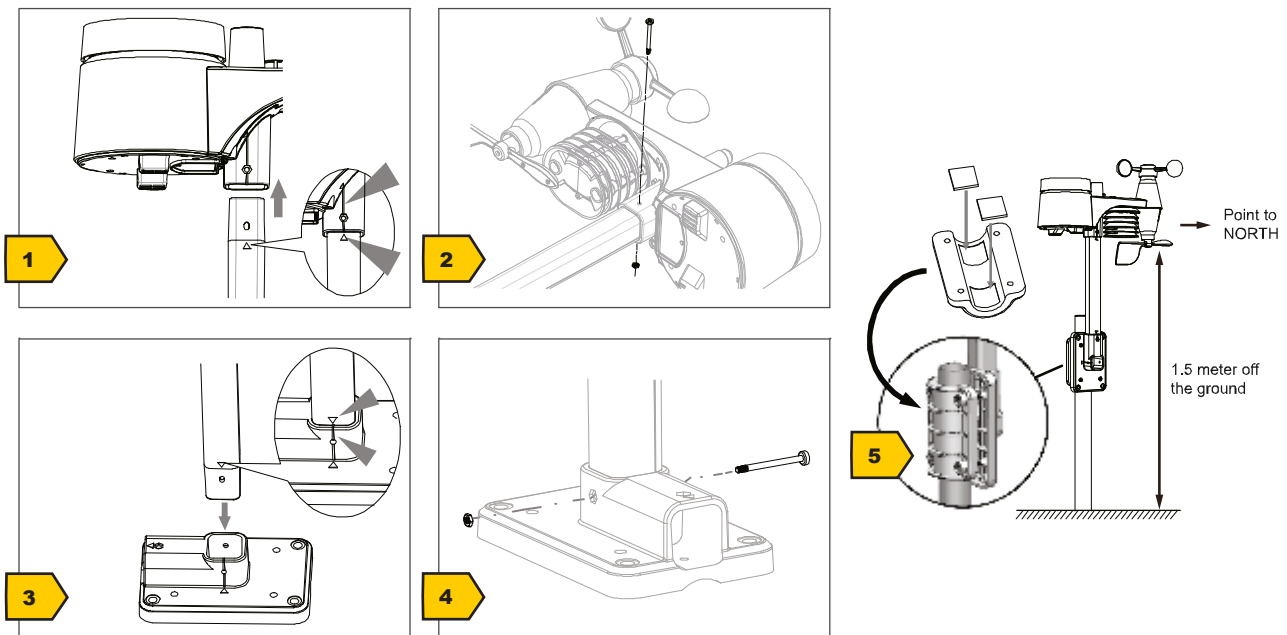
4. Schraube am Batteriefachdeckel mit einem geeigneten Kreuzschraubendreher entfernen und Batteriefachdeckel abnehmen.
5. Batterien in das Batteriefach einsetzen. Dabei die korrekte Ausrichtung der Batteriepole (+/-) beachten.
6. Batteriefachdeckel wieder aufsetzen und anschrauben.

12 Gummibeläge anbringen



Die mitgelieferten selbstklebenden Gummibeläge an den Rohrschellen wie abgebildet anbringen, um einen festeren Sitz der Montagegange zu gewährleisten.

13 Multifunktions-Funksensor montieren und anbringen



Abhängig vom gewünschten Standort kann der Funksensor auf verschiedene Weise montiert werden.

HINWEIS! Bei der Montage stets darauf achten, dass sich der obere Teil der Windfahne mindestens 1,5 Meter über dem Erdboden befindet. Beim Anbringen mithilfe der Dosenlibelle im Sensorkopf für eine absolut waagerechte Position sorgen. Das Windrad muss stets nach Norden zeigen.

Montage an einem vertikal oder horizontal ausgerichteten Holzelement

1. Ein Ende des Montagestabes in die Öffnung unterhalb des Sensorkopfes stecken.
2. Eine Schraube durch die Bohrung schieben und auf der anderen Seite die Mutter aufsetzen. Die Schraubverbindung handfest anziehen.
3. Je nach gewünschter Ausrichtung das andere Ende des Montagestabes in die Öffnung des Montagefußes für eine vertikale oder für eine horizontale Montage stecken.
4. Eine weitere Schraube in die Bohrung des Montagefußes schieben und auf der anderen Seite die Mutter aufsetzen. Die Schraubverbindung handfest anziehen.

Die Unterseite des Montagefußes auf das Holzelement setzen und mit 4 geeigneten Holzschrauben anschrauben.

Montage an einem vertikal oder horizontal ausgerichteten Rohr

Die Schritte 1 bis 4 wie zuvor ausführen.

- Die Unterseite des Montagefußes auf das Rohr aufsetzen und die Rohrschelle von der anderen Seite gegen das Rohr drücken.
- Die 4 Schrauben durch die Bohrungen des Montagefußes und auf der anderen Seite durch die Bohrungen der Rohrschelle stecken.
- Die 4 Muttern aufsetzen und die Schraubverbindungen handfest anziehen.

14 Signalübertragung

Die Basisstation verbindet sich automatisch mit dem Multi-Außensensor und (wenn verfügbar) mit anderen kabellosen Sensoren. Sie können außerdem die WIFI / SENSOR Taste drücken um direkt nach den Sensoren zu suchen. Bei erfolgreicher Verbindung werden das Symbol für Außenbereich (OUT) und/oder der Kanal auf dem Display angezeigt.

Verbindungsstatus-Anzeige:

Verbindungsstatus	Displayanzeige
Gutes Signal	Empfangssymbol
Sensor wird gesucht	Empfangssymbol blinkt
Kein Signal seit 48 Stunden	‚Er‘ (Error) wird angezeigt
Sensor Batteriestand niedrig, gutes Signal	Batterie-Symbol wird angezeigt

15 Benutzerkonto für Weather Underground einrichten (optional)

1. Folgenden Webadresse für den Dienst ‚Weather Underground‘ in die Adresszeile des Webbrowsers eingeben: <https://www.wunderground.com>
2. ‚Join‘ anklicken, um zur Registrationsseite zu gelangen.
3. Die persönlichen Benutzerdaten eingeben und ‚Sign up‘ anklicken.
4. Den weiteren Einrichtungsschritten folgen.
5. Unter dem Menüpunkt ‚Sensor Network‘ > ‚Connect a Weather Station‘ kann die eigene Wetterstation hinzugefügt werden.
6. Eine ‚Station ID‘ und ein ‚Station Key/Password‘ werden durch den Dienst automatisch generiert, die für die folgende Konfiguration der Wetterstation benötigt werden.

HINWEIS! Für die Registrierung eine gültige E-Mail-Adresse verwenden, da die Nutzung des Dienstes sonst nicht möglich ist.

16 Benutzerkonto für weathercloud einrichten (optional)

1. Folgende Webadresse für den Dienst weathercloud in die Adresszeile des Webbrowsers eingeben: <https://weathercloud.net>
2. Unter „Join us today“ die persönlichen Benutzerdaten eingeben und „Sign up“ anklicken.
3. Nach erfolgreicher Registrierung und Verifizierung der E-Mail-Adresse unter dem Benutzerkonto den Menüpunkt „Devices“ wählen.
4. Unter „Devices“ den Link „+New“ anklicken und im Fenster „Create New Device“ die Geräte- und Standortdaten eingeben, um ein neues Gerät anzulegen. Bei „Model“ die entsprechende Wetterstation wählen. Bei „Link type“ die Option „Pro Weather Link“ wählen.
5. Eine „weathercloud ID“ und ein „Key“ werden durch den Dienst automatisch generiert, die für die folgende Konfiguration der Wetterstation benötigt werden. Diese können über den Account bei weathercloud.net im unter Devices > Settings > Link abgerufen werden.

HINWEIS! Für die Registrierung nur eine gültige E-Mail-Adresse verwenden, da die Nutzung des Dienstes sonst nicht möglich ist.

17 Benutzerkonto für weitere Wetterdienste (z.B. AWEKAS) einrichten

1. Sie haben die Möglichkeit einen Wetterdienst von Drittanbietern zu nutzen, wie hier am Beispiel von AWEKAS gezeigt.
2. Folgende Webadresse für den Dienst ‚AWEKAS‘ in die Adresszeile des Webbrowsers eingeben: <https://join.awekas.at>
3. Füllen Sie dort alle benötigten Angaben aus.
4. Notieren Sie sich die Angaben: Benutzername, Passwort, Geografische Breite (Breitengrad) in Dezimalgrad (zB. 48.30591), Geografische Länge (Längengrad) in Dezimalgrad (z.B. 14.2862).

HINWEIS! Für die Registrierung nur eine gültige E-Mail-Adresse verwenden, da die Nutzung des Dienstes sonst nicht möglich ist.

18 Konfiguration / W-LAN-Verbindung herstellen

1. Bei Erstinbetriebnahme oder durch Drücken der WIFI / SENSOR-Taste für 6 Sekunden wechselt die Station in den AP Modus. In diesem Modus ist die Station bereit für die WIFI Einrichtung.
2. Die Station erstellt jetzt ein eigenes WIFI Netzwerk auf das Sie mit Ihrem Smartphone oder Computer verbinden können. Suchen und verbinden Sie auf die SSID der WIFI Station (Beispiel: PWS-XXXXXX)

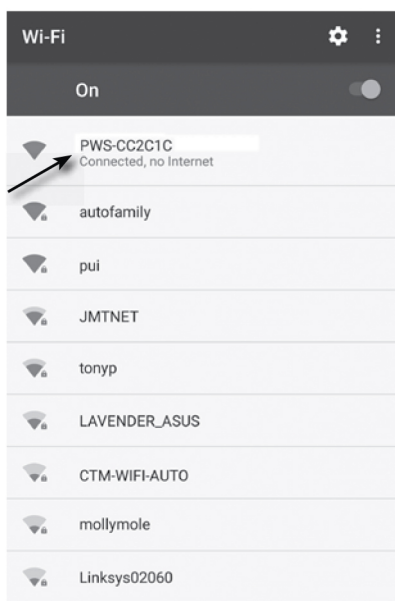
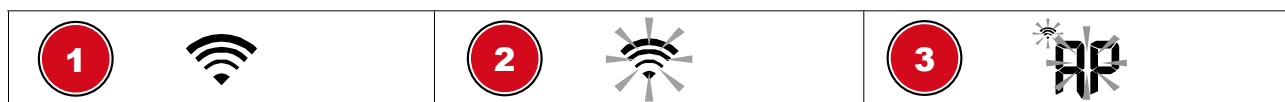


Abb. 4:

WIFI-Verbindungsstatus:



1 Stabil: Die Basisstation steht in Verbindung mit WIFI-Router

2 Blinkt: Die Basisstation versucht, eine Verbindung zum WIFI-Router herzustellen

3 Blinkt: Die Basisstation befindet sich derzeit im Access Point (AP)-Modus

3. Sobald Sie erfolgreich verbunden sind, öffnen Sie Ihren Internet-Browser und geben Sie die Adresse **192.168.1.1** in das URL Feld ein.

4. Tragen Sie jetzt Ihre Router Daten (SSID Ihres heimischen WIFI Routers) und Wetterdienst Daten (Station ID / Station Key) ein und wählen Sie den Dienst zur automatischen Zeitübermittlung aus.

1 'ADVANCED' wählen, um ins erweiterte Einstellungs-menü zu gelangen

3 'Search' wählen, um nach Router zu suchen

5 Gewünschten W-LAN-Router (SSID) wählen

2 Sprache wählen

4 'Add Router' wählen, um Router manuell hinzuzufügen**

6 Falls Router nicht aufgelistet, SSID manuell eingeben

7 Sicherheitstyp des Routers wählen (i.d.R. WAP2)	8 W-LAN-Passwort des Routers eingeben (Feld leer lassen, wenn kein Passwort vergeben wurde)
9 Bei Wunderground registrierte 'Station ID' und 'Station Key' eingeben*	10 Bei Weathercloud registrierte 'StationID' und 'Station Key' eingeben*
11 Weiteren Wetterdienst hinzufügen (z.B. AWE-KAS).	12 Für weiteren Dienst registrierte 'Station ID' und 'Station Key' eingeben*
13 Zeitserver wählen	14 Wählen Sie die Zeitzone Ihres Standorts
15 Breitengrad eingeben	16 Längengrad eingeben
17 Wählen Sie die Richtung (z. B. für EU Länder ist der Längengrad "Ost" und für die USA ist es "West").	18 Wählen Sie die Hemisphäre, in der sich der Sensor befindet (für USA- und EU-Länder "N", für Australien "S").
19 Drücken, um die Einstellung abzuschließen	

*Feld leer lassen, wenn Registrierung nicht vorliegt oder Eingaben zu einem späteren Zeitpunkt vorgenommen werden sollen.

**Für die manuelle Anlage sind weitere Router-Informationen erforderlich (u.a. IP-Adresse, SSID, etc.)

WIFI Voraussetzungen:

5. Unterstützte Geräte: Intelligente Geräte (Smart Devices) mit integriertem WIFI AP Modus (W-LAN Access Point) sowie entsprechende Notebooks oder PCs.
6. WIFI Standard: 802.11 b / g / n, unterstützt AP-Modus
7. Webbrowser: Browser, die HTML 5 unterstützen

Router Voraussetzungen:

WIFI Standard: 802.11 b / g / n

Unterstützter Sicherheitstyp: WEP, WPA, WPA2, offen (für Router ohne Passwort)

19 Erweiterte Einstellungen

SETTINGS

SETUP **ADVANCED**

Temperature °C Humidity %

Indoor Current off set: 1 Current off set: -5

Outdoor Current off set: -9 Current off set: 10

CH 1 Current off set: 2 Current off set: -5

CH 2 Current off set: 3 Current off set: -2

CH 3 Current off set: 1.2 Current off set: -2

CH 4 Current off set: -0.2 Current off set: -5

CH 5 Current off set: -20.1 Current off set: -3

CH 6 Current off set: 11.5 Current off set: -10

CH 7 Current off set: 0.2 Current off set: -3

Range: -20.0 ~ 20.0 °C
-36.0 ~ 36.0 °F (Default: 0.0)

Range: -20 ~ 20
(Default: 0.0)

Pressure hpa

Absolute Pressure Offset: Current off set: -3
(Default: 0)

Relative Pressure Offset: Current off set: 10
(Default: 0)

Setting Range:
-560 ~ 560hpa / -16.54 ~ 16.54inHg / -420 ~ 420mmHg

*Rain gain: Current gain: 0.85
Range: 0.5 ~ 1.5(Default: 1.00)

*Wind speed gain: Current gain: 0.75
Range: 0.5 ~ 1.5(Default: 1.00)

*Wind direction: Current off set: 2°
Range: -10 ~ 10(Default: 0 °)

*UV gain: Current gain: 1.1
Range: 0.01 ~ 10(Default: 1.00)

*Light gain: Current gain: 1.1
Range: 0.01 ~ 10(Default: 1.00)

* Depends on the model

Firmware version: 1.00

1 'SETUP' wählen, um ins Einstellungsmenü zu gelangen

2 Einheit auswählen

3 Temperaturkalibrierung Innen/Außen und Kanal 1-7

4 Druckkalibrierung

5 Aktuelle Firmware

6 Luftdruckkalibrierung Innen/Außen und Kanal 1-7

7 Einheit auswählen

8 Einen Versatz (Offset-Wert) eingeben, um den Druckmesswert auszugleichen

9 Verstärkungswert für Regen-, Windgeschwindigkeits-, UV- und Lichtkalibrierung. Die Windrichtung hat einen +/- 10 Versatz.

10 Die Firmware-Update-Funktion ist nur im PC/Mac-Webbrowser verfügbar.

20 Automatische Zeiteinstellung

Nachdem die Stromversorgung und die Internetverbindung hergestellt wurden, werden die Zeit- und Datumsinformationen (koordinierte Weltzeit UTC) vom Internet-Zeitserver automatisch übertragen.

Bei korrektem Empfang werden Datum und Uhrzeit automatisch eingestellt und das Empfangssymbol ‚SYNC‘ wird angezeigt.

Wurden die Zeit-/Datumsinformationen nicht oder nicht korrekt empfangen, folgendermaßen vorgehen:

1. In Ländern/Regionen, deren Zeitzone von der koordinierten Weltzeit UTC abweicht, muss die Zeitzone manuell eingestellt werden (siehe Kapitel ‚Zeitzone einstellen‘), damit die korrekte Zeit angezeigt wird.
2. REFRESH-Taste am Basisgerät ca. 2 Sekunden drücken, um den Abruf der Internetzeiteinformationen erneut zu initiieren.
3. Die W-LAN-Einstellungen am Basisgerät auf Richtigkeit prüfen und ggf. korrigieren, damit eine Internetverbindung hergestellt werden kann (siehe Kapitel ‚W-LAN-Verbindung herstellen‘).

21 Manuelle Zeiteinstellung

Sollte sich die Station noch im AP-Modus befinden (AP blinkt), deaktivieren Sie zunächst den Empfang des Zeitsignals, indem Sie etwa 8 Sekunden die SENSOR / WIFI-Taste drücken. Wenn AP nicht mehr blinkt, können Sie jetzt die Uhrzeit und das Datum manuell einstellen.

1. CLOCK SET-Taste ca. 3 Sekunden drücken um in den Zeiteinstellungsmodus zu gelangen.
2. Die einzustellenden Ziffern blinken.
3. UP- oder DOWN-Taste drücken, um den Wert zu verändern.
4. CLOCK SET -Taste drücken, um die Eingabe zu bestätigen und zur nächsten Einstellung zu wechseln.
5. Reihenfolge der Einstellungen: Sommerzeit (DST) ein/aus (on/off) > Stunden > Minuten > 12-/24-Stunden-Modus > Jahr > Monat > Tag > Monat-Tag/Tag-Monat > Zeitsynchronisation ein/aus > Sprache

HINWEIS! Bei manueller Zeiteinstellung muss die Zeitsynchronisation deaktiviert werden.

6. CLOCK SET -Taste abschließend drücken, um die Einstellungen zu speichern und den Einstellungsmodus zu verlassen.

HINWEIS! Im normalen Anzeigemodus die CLOCK SET-Taste drücken um zwischen Jahres- und Datumsanzeige zu wechseln. Im Einstellungsmodus die CLOCK SET-Taste ca. 2 Sekunden drücken, um zum normalen Anzeigemodus zurückzukehren.

22 Zeitzone einstellen

Um eine abweichende Zeitzone einzustellen, folgendermaßen vorgehen:

Um die Zeitanzeige automatisch auf Ihre Zeitzone einzustellen, ändern Sie die Zeitzone auf der SETUP-Seite von '0:00' (Voreinstellung) auf Ihre Zeitzone (z.B. +1:00 für Deutschland)

Time server setup

Server URL:




Time Zone:

23 Weckrufeinstellung

Weckzeit einstellen

1. ALARM-Taste ca. 2 Sekunden drücken um in den Weckzeiteinstellungsmodus zu gelangen.
2. Die einzustellenden Ziffern blinken.
3. UP- oder DOWN-Taste drücken, um den Wert zu verändern.
4. ALARM-Taste drücken, um die Eingabe zu bestätigen und zur nächsten Einstellung zu wechseln.
5. Reihenfolge der Einstellungen: Stunden > Minuten
6. ALARM-Taste abschließend drücken, um Einstellungen zu speichern und den Einstellungsmodus zu verlassen.

Wecker (und Frostwarnung) ein-/ausschalten

7. Drücken Sie die ALARM-Taste, um die Weckzeit anzuzeigen
8. Drücken Sie die ALARM-Taste erneut, um die Weckzeit zu aktivieren. Das Symbol  wird auf dem Display angezeigt.
9. Drücken Sie die ALARM-Taste ein weiteres mal, um die Weckzeit mit Frostwarnung zu aktivieren. Die Symbole  und  werden auf dem Display angezeigt.
10. Um Wecker und/oder Frostwarnung zu deaktivieren, drücken Sie die ALARM-Taste so oft, bis die entsprechenden Alarm-Symbole nicht mehr angezeigt werden.

24 Schlummerfunktion

1. Bei Ertönen des Weckrufs die ALARM/SNOOZE-Taste drücken, um die Schlummerfunktion zu aktivieren. Weckruf ertönt erneut nach 5 Minuten.
2. Beim Ertönen des Weckrufs ALARM- Taste drücken oder ALARM/SNOOZE- Taste für ca. 3 Sekunden drücken. um den Weckruf bis zum erneuten Erreichen der eingestellten Weckzeit auszu- setzen.
3. Wird keine Taste gedrückt, schaltet sich der Weckruf automatisch nach 2 Minuten ab.

25 Niederschlag

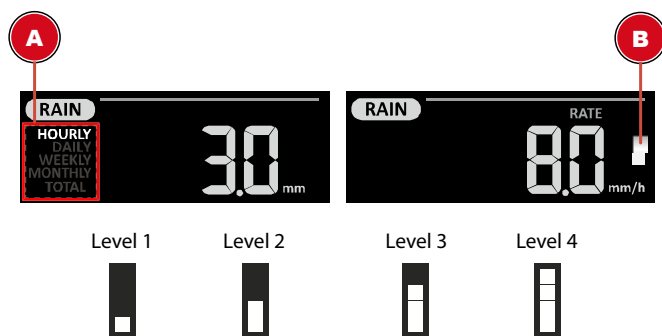
Der Abschnitt RAINFALL zeigt die Informationen zur Regenmenge oder Regenrate.

ZUM EINSTELLEN DER NIEDERSCHLAGSEINHEIT

1. [RAIN]-Taste im Normalmodus 2 Sekunden lang gedrückt halten, um den Einstellungsmodus für die Einheit aufzurufen.
2. Taste [Λ] oder [V] drücken, um die Einheit zwischen mm (Millimeter) und in (Zoll) (Regenmenge) oder mm/h (Millimeter pro Stunde) und in/h (Zoll pro Stunde) (Regenrate) zu wechseln.
3. [RAIN]-Taste drücken, um die Einstellung zu bestätigen und zu beenden.

REGEN-ANZEIGE

4. [RAIN]-Taste drücken, um umzuschalten zwischen:
5. HOURLY - die Gesamtniederschlagsmenge der letzten Stunde
6. DAILY - die Gesamtregenmenge ab Mitternacht (Voreinstellung)
7. WEEKLY - die Gesamtregenmenge der aktuellen Woche
8. MONTHLY - die Gesamtregenmenge des aktuellen Kalendermonats
9. Total - die Gesamtregenmenge seit dem letzten Zurücksetzen
10. Rate - die aktuelle Niederschlagsrate (basierend auf 10-minütigen Regendaten)



A - Zeitraum des Niederschlags

B - Höhe der Regenrate

Definition des Regenmengenpegels:

- Level 1: Leichter Regen (0,1 ~ 2,5 mm/h)
- Level 2: Mäßiger Regen (2.51 ~ 10.0 mm/h)
- Level 3: Starker Regen (10.1 ~ 50.0 mm/h)
- Level 4: Heftiger Regen (> 50.0 mm/h)

ZUM ZURÜCKSETZEN DER GESAMTREGENMENGE

[HISTORY]-Taste im Normalmodus 2 Sekunden lang gedrückt halten, um die gesamte Niederschlagsaufzeichnung zurückzusetzen.

HINWEIS:



Um korrekte Daten zu erhalten, setzen Sie bitte alle Niederschlagsaufzeichnungen zurück, wenn Sie den drahtlosen 7-IN-1 Sensor an einem anderen Ort installieren.

26 Lichtintensität, UV-Index und Sonnenbrandzeit




Dieser Abschnitt zeigt den Lichtintensitätslevel, UV-Index und die Sonnenbrandzeit. Drücken Sie die SUN-Taste, um den Modus zu ändern.

	Lichtintensität <ol style="list-style-type: none">1. Während des Lichtintensitätsmodus die SUN-Taste ca. 3 Sekunden drücken, um in die Einstellung zu gelangen.2. UP- oder DOWN-Taste drücken, um den Wert zu ändern.3. Reihenfolge der Einstellung: Klux > Kfc > W/m²
--	--

- SUN-Taste abschließend drücken, um Einstellungen zu speichern und den Einstellungsmodus zu verlassen.

 6.2	UV Index Dieser Modus zeigt den aktuellen UV-Index, der vom Außensensor erkannt wird. Die entsprechende Gefährdungsgrad und der empfohlene Schutzindikator werden ebenfalls angezeigt.
 30 Min	Sonnenbrandzeit Dieser Modus zeigt die empfohlene Sonnenbrandzeit an, die entsprechend dem aktuellen UV-Level liegt.

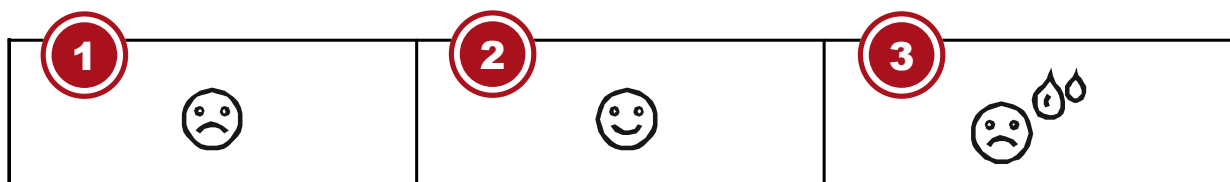
UV-Index und Sonnenbrand Zeitplan

Gefährdungsgrad	Niedrig	Mittel	Hoch	Sehr hoch	Extrem
UV-Index	1 2	3 4 5	6 7	8 9 10	11 12-16
Sonnenbrandzeit	Nicht verfügbar	45 Minuten	30 Minuten	15 Minuten	10 Minuten
Empfohlener Schutz-Indikator	Nicht verfügbar				
		Mäßige oder hohe UV-Strahlung! Empfohlen wird eine Sonnenbrille, einen breiten Hut und langärmlige Kleidung zu tragen.		Sehr hohe oder extreme UV-Strahlung! Empfohlen wird eine Sonnenbrille, einen breiten Hut und langärmlige Kleidung zu tragen. Wenn Sie sich im Freien aufhalten müssen, suchen Sie unbedingt Schatten.	

27 Manuelle Messwertanzeige

- MAX/MIN-Taste mehrmals drücken, um nacheinander die gespeicherten Werte anzuzeigen.
- Reihenfolge der Anzeige: Temperatur-Höchstwert (außen) > Temperatur-Tiefstwert (Außen) > Luftfeuchtigkeit-Höchstwert (außen) > Luftfeuchtigkeit-Tiefstwert (außen) > Temperatur-Höchstwert (innen) oder aktueller Kanal > Temperatur-Tiefstwert (innen) oder aktueller Kanal > Durchschnittliche Windgeschwindigkeit Höchstwert > letzte Böe (GUST) Höchstwert > Feels like Höchstwert > Feels like Tiefstwert > Taupunkt Höchstwert > Taupunkt Tiefstwert > Hitzeindex Höchstwert > Hitzeindex Tiefstwert > Gefühlte Temperatur (wind chill) Höchstwert > Gefühlte Temperatur (wind chill) Tiefstwert > UV Index Höchstwert > Lichtintensität Höchstwert > Relativer Luftdruck Höchstwert > Relativer Luftdruck Tiefstwert > Absoluter Luftdruck Höchstwert > Absoluter Luftdruck Tiefstwert > Niederschlag Höchstwert
- MAX/MIN-Taste während der jeweiligen Anzeige etwa 3 Sekunden gedrückt halten, um den augenblicklich gewählten Wert zu löschen.

28 Klimaindikator (innen)



1 Zu kalt
3 Zu warm

2 Optimal

Der Klimaindikator ist eine bildliche Anzeige, die auf der Innenlufttemperatur und -luftfeuchtigkeit basiert, um das Komfortniveau zu bestimmen.

Hinweis:

- Die Komfortanzeige kann bei gleicher Temperatur unterschiedlich ausfallen, abhängig von der Luftfeuchtigkeit.
- Es gibt keine Komfortanzeige, wenn die Temperatur unter 0 ° C oder über 60 ° C liegt.

29 Mondphasen

Im Bereich der nördlichen Halbkugel wächst der Mond von rechts an. Dies ist so, weil die von der Sonne angestrahlte Seite des Mondes auf der Nordhalbkugel von rechts nach links wandert. Auf der Südhalbkugel hingegen wandert diese von links nach rechts. In den beiden nachfolgenden Tabellen sind die Darstellungen der Mondphasen dargestellt.

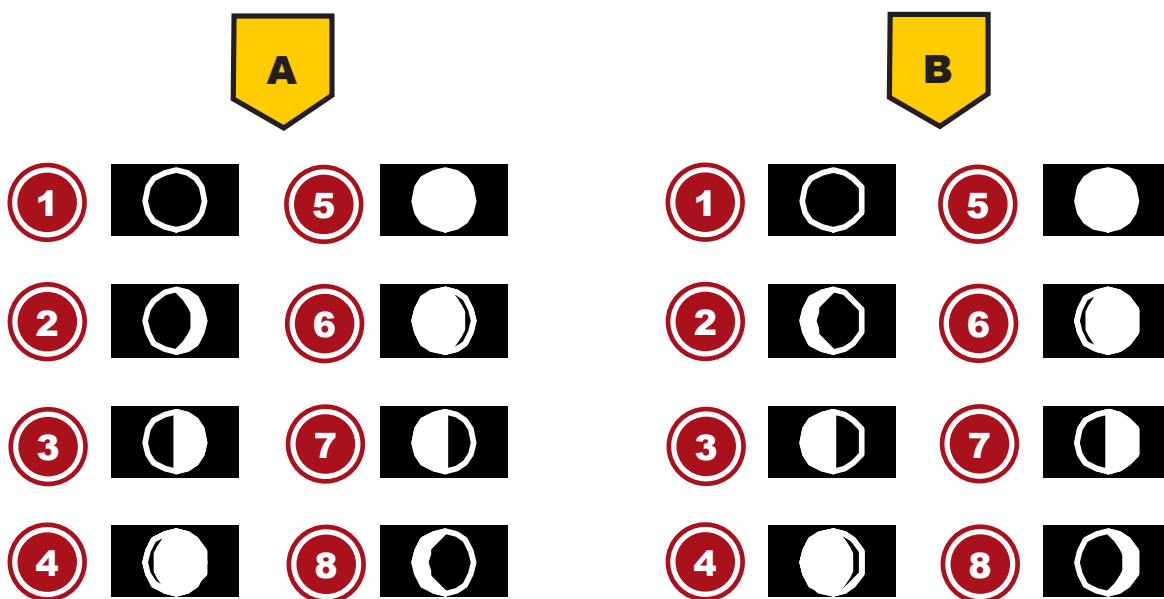


Abb. 5: (A) Nördliche Halbkugel, (B) Südliche Halbkugel

1 Neumond	2 Zunehmender Sichelmond
3 Erstes Viertel	4 Zunehmender Mond
5 Vollmond	6 Abnehmender Mond
7 Letztes Viertel	8 Abnehmender Sichelmond

30 Wettertrend

Aus den gemessenen Werten wird ein Wettertrend für die nächsten 12-24 Stunden errechnet und folgendermaßen grafisch dargestellt:



1 Sonnig	2 Teilweise bewölkt
----------	---------------------

3 Bewölkt

4 Regen

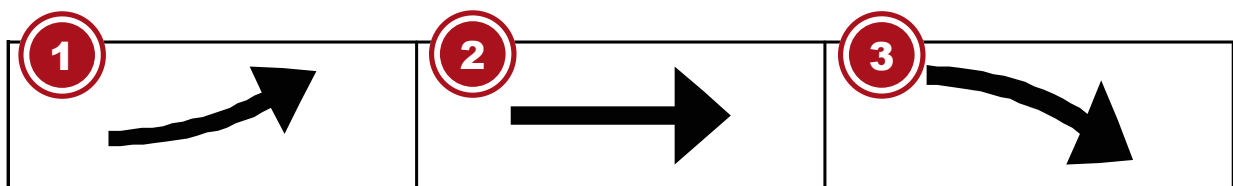
5 Regen/Stürmisch

6 Schnee

Hinweis:

- Die Genauigkeit einer druckbasierten Wettervorhersage liegt bei etwa 70% bis 75%.
- Die Wettervorhersage ist für die nächsten 12 Stunden gedacht, sie muss nicht unbedingt die aktuelle Situation widerspiegeln.
- Die Schneewettervorhersage basiert nicht auf dem Luftdruck, sondern auf der Außentemperatur. Wenn die Außentemperatur unter -3°C (26°F) liegt, wird das Schnee Symbol im LCD-Display angezeigt.

31 Trendpfeile



1 steigend

2 stabil

3 fallend

Der Temperatur- und Luftfeuchtigkeits-Trendindikator zeigt die Trends der Wetterveränderung für die kommenden Minuten an. Pfeile zeigen einen steigenden, gleichbleibenden oder fallenden Trend an.

32 Barometrischer / Atmosphärischer Luftdruck

Der atmosphärische Druck (nachfolgend „Luftdruck“ genannt) ist der Druck an jedem Ort der Erde, der durch das Gewicht der Luftschicht darüber begründet ist. Der Luftdruck steht im Verhältnis zum durchschnittlichen Druck und fällt mit steigender Höhe allmählich ab. Meteorologen benutzen Barometer zur Messung des Luftdrucks. Weil das Wetter in hohem Maße von der Veränderung des Luftdrucks abhängt, ist es möglich aus den gemessenen Luftdruckveränderungen eine Wetterprognose zu erstellen.

Den barometrischen Luftdruck in einer anderen Maßeinheit anzeigen

Im normalen Anzeigemodus die BARO-Taste ca. 2 Sekunden drücken, um die Einheit in dieser Reihenfolge zu ändern: (hPa, inHg oder mmHg).

Den Modus von (ABS) Absoluter Luftdruck auf (REL) Relativer Luftdruck umstellen

Im normalen Anzeigemodus die BARO-Taste drücken um zwischen Absoluter Luftdruck und Relativer Luftdruck umzuschalten.

•

- **HINWEIS! ABS: Absoluter Luftdruck an Ihrem gegenwärtigen Standort**
- **HINWEIS! REL: Relativer Luftdruck, basierend auf der Meereshöhe (N.N.)**
- **HINWEIS! Der voreingestellte Wert für den relativen Luftdruck beträgt 1013 mbar/hPa (29.91 inHg), der im Verhältnis zum Durchschnittswert für den Luftdruck steht.**
- **HINWEIS! Wird der Wert für den relativen Luftdruck geändert, ändern sich hierdurch auch die Wetteranzeigen.**

- **HINWEIS!** Der eingebaute Barometer registriert umgebungsbedingte Veränderungen des absoluten Luftdrucks. Basierend auf den gesammelten Daten kann so eine Prognose für die Wetterbedingungen in den kommenden 12 Stunden erstellt werden. Hierzu wechseln die Wetterindikatoren entsprechend dem ermittelten absoluten Luftdruck bereits nach einer Stunde Betriebszeit.
- **HINWEIS!** Der relative Luftdruck basiert auf dem Meeresspiegel, jedoch ändert auch er sich mit Veränderungen des absoluten Luftdrucks nach einer Stunde Betriebszeit.

33 Beaufort-Skala

Die Beaufort-Skala ist eine internationale Skala zur Klassifizierung der Windgeschwindigkeit von 0 (windstill) bis 12 (Orkan-Stärke).

Beaufort-Nummer	Beschreibung	Geschwindigkeit
0	windstill	< 1 km/h < 1 mph < 1 knots < 0.3 m/s
1	leichter Zug	1.1-5.5 km/h 1-3 mph 1-3 knots 0.3-1.5 m/s
2	leichte Brise	5.6-11 km/h 4-7 mph 1-3 knots 0.3-1.5 m/s
3	schwache Brise	12-19 km/h 8-12 mph 7-10 knots 3.5-5.4 m/s
4	mäßige Brise	20-28 km/h 13-17 mph 11-16 knots 5.5-7.9 m/s
5	frische Brise	29-38 km/h 18-24 mph 17-21 knots 8.0-10.7 m/s
6	starker Wind	39-49 km/h 25-30 mph 22-27 knots 10.8-13.8 m/s
7	steifer Wind	50-61 km/h 31-38 mph 28-33 knots 13.9-17.1 m/s
8	stürmischer Wind	62-74 km/h 39-46 mph 34-40 knots 17.2-20.7 m/s
9	Sturm	75-88 km/h 47-54 mph 41-47 knots 20.8-24.4 m/s
10	schwerer Sturm	89-102 km/h 55-63 mph 48-55 knots 24.5-28.4 m/s
11	orkanartiger Sturm	103-117 km/h 64-73 mph 56-63 knots 28.5-32.6 m/s
12	Orkan	> 118 > 74 mph > 64 knots 32.7 m/s

34 Gefühlte Temperatur (Feels like)

Die gefühlte Temperatur entspricht der vom menschlichen Körper empfundenen Außentemperatur. Es ist ein kollektiver Mix aus Windkühlfaktor (18°C/64°F oder niedriger) und Hitze-Index (26°C/78°F oder höher). Bei Temperaturen im Bereich zwischen 18°C/64°F und 26°C/78°F, bei denen sowohl Wind als auch Luftfeuchtigkeit die Temperatur weniger stark beeinflussen, zeigt das Gerät die tatsächlich gemessene Außentemperatur als gefühlte Temperatur an.

Die nachfolgende Grafik veranschaulicht die steigende Gefahr für den menschlichen Organismus bei Anstieg des Hitze-Index oder der Windkühle.

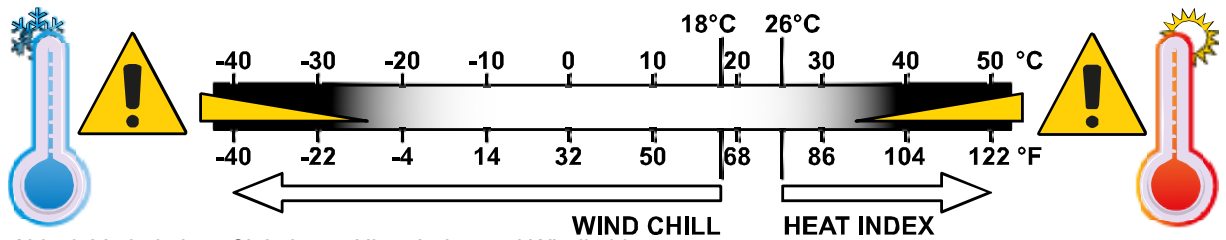


Abb. 6: Verhältnismäßigkeit von Hitze-Index und Windkühle.

35 Hitzeindex

Drücken Sie die INDEX-Taste mehrmals bis HEAT INDEX (Hitzeindex) auf dem Display angezeigt wird.

Hitzeindex	Warnung	Bedeutung
> 55° C (> 130° F)	Extreme Gefahr	Extremes Risiko einer Dehydration/eines Hitzeschlags
41° C – 54° C (106° F – 129° F)	Gefahr	Hitzekollaps wahrscheinlich
33° C – 40° C (91° F – 105° F)	Erhöhte Vorsicht	Gefahr einer Dehydration
27° C – 32° C (80° F – 90° F)	Vorsicht	Gefahr eines Hitzekollaps

Hinweis:

Die gefühlte Temperatur basiert auf den gemeinsamen Auswirkungen von Temperatur und Luftfeuchtigkeit. Der Hitzeindex wird nur berechnet, wenn sich die Temperatur bei 27° (80° F) oder höher befindet. Die angezeigte gefühlte Temperatur wird ausschließlich aus Temperatur und Luftfeuchtigkeit berechnet und wird vom Außensensor gemessen.

36 Taupunkt

Drücken Sie die INDEX-Taste mehrmals bis DEW POINT (Taupunkt) auf dem Display angezeigt wird.

Hinweis:

Der Taupunkt ist die Temperatur unterhalb dessen Wasserdampf bei konstantem Luftdruck zu gleichen Teilen wie es verdunstet wieder zu Wasser kondensiert. Kondensiertes Wasser wird Tau genannt, wenn es sich an einer festen Oberfläche bildet. Die Taupunkt-Temperatur wird aus der gemessenen Innentemperatur und -luftfeuchtigkeit berechnet.

37 Historie-Daten der letzten 24 Stunden

Die Basisstation zeichnet automatisch alle Messdaten der letzten 24 Stunden auf und zeigt diese an.

1. HISTORY-Taste drücken, um den historischen Verlauf der letzten Stunde zu überprüfen.
2. HISTORY-Taste mehrmals drücken, um den historischen Verlauf der Stunden 2,3,4,5 24 anzuzeigen.

38 Helligkeit der Displayanzeige regulieren

Die Display-Helligkeit wird über die dimmbare Hintergrundbeleuchtung gesteuert und kann an die Lichtverhältnisse der Umgebung angepasst werden:

- Den **[HI/LO/AUTO]** Schalter verschieben, um die Display-Helligkeit zu ändern. Reihenfolge der Helligkeitsstufen: hell **[HI]** > dunkel **[LO]** > automatisch **[AUTO]**
- Mit **[AUTO]** wird die Display-Helligkeit über den integrierten Lichtsensor auf der Gehäuseoberseite automatisch an die Umgebung angepasst.
- Die **[^ / ⏻]** Taste mehrmals drücken, um den Kontrast der Zahlen und Buchstaben im Display so einzustellen, dass die Displaydarstellung zum Tischfuß oder zur Wandmontage passt.

39 Weather Underground Live Wetterdaten abrufen

1. Um die Live-Daten Ihres Multisensors in einem Webbrowser anzuzeigen, besuchen Sie bitte wunderground.com und geben dann in der Menüleiste Ihre „Station-ID“ im Suchfeld ein.
2. Sie können die Smartphone App von Weather Underground herunterladen, um die Online-Live-Wetterdaten Ihrer Wetterstation über Android oder iOS Geräte anzuzeigen (weitere Informationen finden Sie unter: <https://www.wunderground.com/download>)

40 Weathercloud Wetterdaten abrufen

1. Um die Live-Daten Ihres Multisensors in einem Webbrowser anzuzeigen, besuchen Sie bitte weathercloud.net und melden Sie sich bei Ihrem eigenen Konto an.
2. Klicken Sie auf das Symbol "View" innerhalb des "Settings"-Aufklappmenüs-Menüs Ihrer Station.

41 Einrichtung der Station zur Übertragung der Wetterdaten an AWEKAS

Sie haben die Möglichkeit einen Wetterdienst von Drittanbietern zu nutzen, wie hier am Beispiel von AWEKAS gezeigt (<https://join.awekas.at>).

The screenshot shows a web form titled "Weather server setup" with a cloud icon. It contains three input fields: "Web server URL:" with the value "http://ws.awekas.at", "Station ID:", and "Station Password:". Three red circles with numbers 1, 2, and 3 are connected to the input fields by red lines. Circle 1 points to the URL field, circle 2 points to the Station ID field, and circle 3 points to the Station Password field.

- | | |
|--|-------------------------|
| 1 Server URL eingeben: http://ws.awekas.at | 2 Benutzername eingeben |
| 3 Passwort eingeben | |

42 Fehlerbehebung

Problem	Lösung
---------	--------

Die 7-in-1-Funksensorverbindung ist unterbrochen oder hat keine Verbindung	<ol style="list-style-type: none"> 1. Stellen Sie sicher, dass sich der Sensor innerhalb des Übertragungsbereichs befindet. 2. Wenn es immer noch nicht funktioniert, setzen Sie den Sensor zurück und synchronisieren Sie ihn mit der Basisstation neu.
Der drahtlose Innenraumsensor ist zeitweise unterbrochen oder ohne Verbindung	<ol style="list-style-type: none"> 1. Stellen Sie sicher, dass sich der Sensor innerhalb des Übertragungsbereichs befindet. 2. Stellen Sie sicher, dass der angezeigte Kanal mit der Kanalauswahl am Sensor übereinstimmt 3. Wenn es immer noch nicht funktioniert, setzen Sie den Sensor zurück und synchronisieren Sie ihn mit der Basisstation neu.
Keine W-LAN Verbindung	<ol style="list-style-type: none"> 1. Überprüfen Sie, ob das W-LAN Symbol auf dem Display angezeigt wird. Es sollte immer angezeigt werden. 2. Stellen Sie sicher, dass Sie eine Verbindung zu Ihrem W-LAN Router über das 2,4G-Band und nicht über das 5G-Band herstellen.
Daten werden nicht an Wunderground.com oder weathercloud.net gesendet.	<ol style="list-style-type: none"> 1. Vergewissern Sie sich, dass Ihre Station-ID und Ihr Station-Key korrekt sind. 2. Stellen Sie sicher, dass Datum und Uhrzeit auf dem Tablet korrekt sind. Wenn sie falsch sind, melden Sie möglicherweise alte Daten und nicht Echtzeitdaten. 3. Stellen Sie sicher, dass Ihre Zeitzone richtig eingestellt ist. Wenn sie falsch eingestellt ist, melden Sie möglicherweise alte Daten und nicht Echtzeitdaten.
Gesamtdarstellung des Graphen der Niederschlagsansammlung auf Wunderground um 1 Stunde verschoben (während der Sommerzeit)	<ol style="list-style-type: none"> 1. Vergewissern Sie sich, dass die Zeitzone des Gerätes auf Wunderground korrekt eingestellt ist. 2. Stellen Sie sicher, dass die Zeitzone und die Sommerzeit auf Ihrer Basisstation korrekt sind. 3. Wenn Sie Ihre Station außerhalb der US-Zeitonenregion in Wunderground lokalisiert haben, ist die Sommerzeit ungültig. Um dieses Problem zu beheben, deaktivieren Sie bitte die DST-Funktion in der Basisstation.
Niederschlag ist nicht korrekt	<ol style="list-style-type: none"> 1. Bitte halten Sie den Regensammler sauber 2. Stellen Sie sicher, dass die Kippwanne im Inneren reibungslos funktionieren kann.
Temperaturmessung zu hoch Tagsüber	<ol style="list-style-type: none"> 1. Platzieren Sie den Sensor in einem offenen Bereich und mindestens 1,5 m über dem Boden. 2. Achten Sie darauf, dass sich die Sensoranordnung nicht zu nahe an wärmeerzeugenden Quellen oder Hindernissen wie Gebäuden, Gehwegen, Wänden oder Klimaanlage befindet.

43 EG-Konformitätserklärung



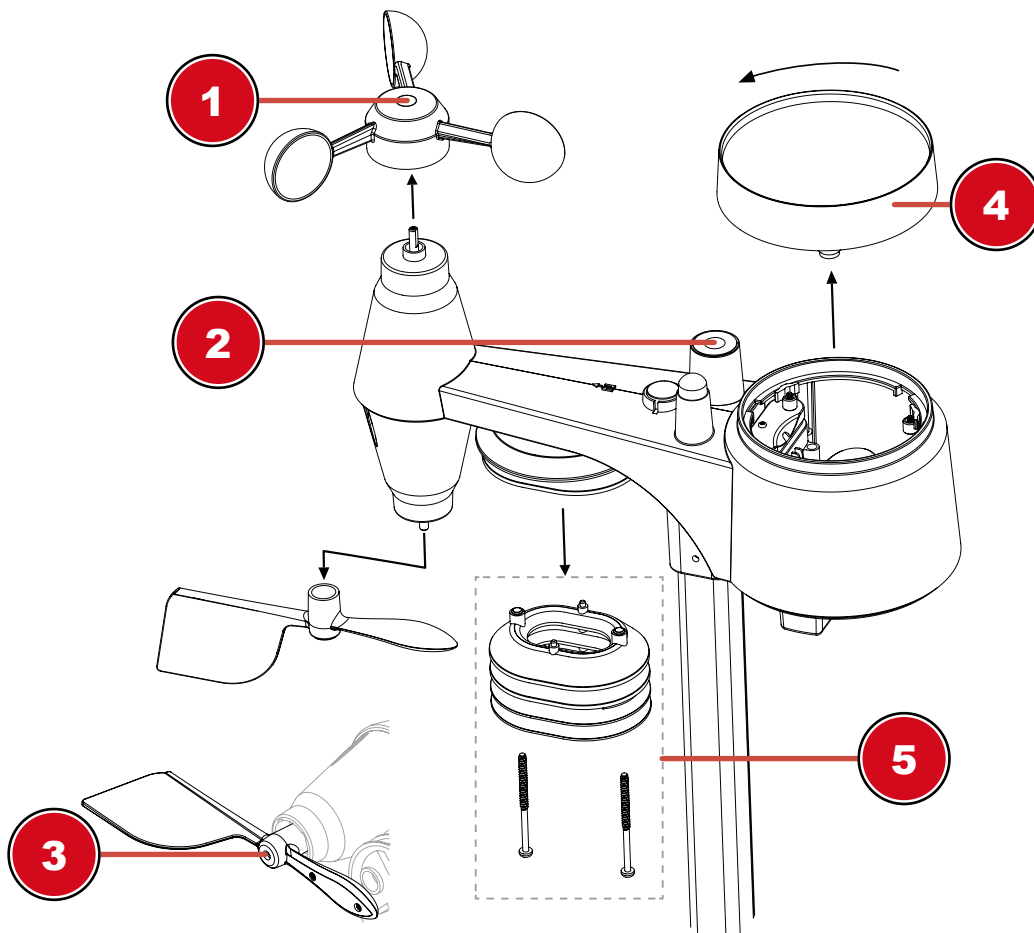
Eine „Konformitätserklärung“ in Übereinstimmung mit den anwendbaren Richtlinien und entsprechenden Normen ist von der Bresser GmbH erstellt worden. Der vollständige Text der EG-Konformitätserklärung ist unter der folgenden Internetadresse verfügbar:
www.bresser.de/download/7002586_7902586/CE/7002586_7902586_CE.pdf

44 Garantie

Die reguläre Garantiezeit beträgt 5 Jahre und beginnt am Tag des Kaufs. Die vollständigen Garantiebedingungen und Serviceleistungen können Sie unter www.bresser.de/garantiebedingungen einsehen.

45 Reinigung und Wartung

- Trennen Sie das Gerät vor der Reinigung von der Stromquelle (Netzstecker ziehen oder Batterien entfernen)!
- Reinigen Sie das Gerät nur äußerlich mit einem trockenen Tuch. Benutzen Sie keine Reinigungsflüssigkeit, um Schäden an der Elektronik zu vermeiden.



1 Die Windschalen austauschen

- Gummikappe entfernen und abschrauben
- Windschale entfernen und austauschen

2 Reinigung des UV-Sensors und Kalibrierung

- Für die genauesten Messwerte verwenden Sie bitte klares Wasser, um die UV-Sensor-Decklinse vor der Montage zu reinigen. Dies sollte in regelmäßigen Abständen vorgenommen werden.
- Sie können auch den UV-Index mit einem Präzisions-UV-Meter kalibrieren, um eine hohe Genauigkeit der UV-Indexmessung aufrechtzuerhalten.

3 Die Windfahne austauschen

- Windfahne abschrauben und austauschen

4 Regen-Auffangbehälter (Trichter) reinigen

- Drehen Sie den Auffangbehälter um etwa 30° gegen den Uhrzeigersinn.
- Ziehen Sie den Trichter vorsichtig nach oben heraus.
- Reinigen Sie ihn und entfernen Sie Schmutz und Insekten.
- Setzen Sie den Trichter wieder ein, wenn er vollständig gereinigt und trocken ist.

5 Thermo/Hygro-Sensor reinigen

- Drehen Sie die beiden Schrauben unterhalb des Sensors mit einem kleinen Kreuzschraubendreher heraus.
- Ziehen Sie den Lamellenaufsatz vorsichtig nach unten ab.
- Entfernen Sie vorsichtig Schmutz und Insekten aus dem Sensorgehäuse.

Hinweis

Der Lamellenaufsatz besteht aus einzelnen ineinander gesteckten Elementen. Die beiden untersten sind geschlossen. Ändern Sie nicht die Reihenfolge! Der Sensor im Inneren des Gehäuses darf nicht mit Wasser in Berührung kommen!

- Reinigen Sie die Lamellen und entfernen Sie Schmutz und Insekten.
- Bringen Sie den Lamellenaufsatz wieder an, wenn er vollständig gereinigt und trocken ist.

46 Entsorgung



Entsorgen Sie die Verpackungsmaterialien sortenrein. Informationen zur ordnungsgemäßen Entsorgung erhalten Sie beim kommunalen Entsorgungsdienstleister oder Umweltamt.



Werfen Sie Elektrogeräte nicht in den Hausmüll!

Gemäß der Europäischen Richtlinie 2012/19/EG über Elektro- und Elektronik-Altgeräte und deren Umsetzung in nationales Recht müssen verbrauchte Elektrogeräte getrennt gesammelt und einer umweltgerechten Wiederverwertung zugeführt werden.



Batterien und Akkus dürfen nicht im Hausmüll entsorgt werden. Sie sind zur Rückgabe gebrauchter Batterien und Akkus gesetzlich verpflichtet und können die Batterien nach Gebrauch entweder in unserer Verkaufsstelle oder in unmittelbarer Nähe (z.B. im Handel oder in kommunalen Sammelstellen) unentgeltlich zurückgeben.

Batterien und Akkus sind mit einer durchgekreuzten Mülltonne sowie dem chemischen Symbol des Schadstoffes bezeichnet, "Cd" steht für Cadmium, "Hg" steht für Quecksilber und "Pb" steht für Blei.



Cd¹



Hg²



Pb³

Service

DE AT CH BE

Bei Fragen zum Produkt und eventuellen Reklamationen nehmen Sie bitte zunächst mit dem Service-Center Kontakt auf, vorzugsweise per E-Mail.

E-Mail: service@bresser.de
Telefon*: +49 28 72 80 74 210

BRESSER GmbH
Kundenservice
Gutenbergstr. 2
46414 Rhede
Deutschland

*Lokale Rufnummer in Deutschland (Die Höhe der Gebühren je Telefonat ist abhängig vom Tarif Ihres Telefonanbieters); Anrufe aus dem Ausland sind mit höheren Kosten verbunden.

GB IE

Please contact the service centre first for any questions regarding the product or claims, preferably by e-mail.

e-mail: service@bresseruk.com
Telephone*: +44 1342 837 098

BRESSER UK Ltd
Customer Support
Suite 3G, Eden House
Enterprise Way
Edenbridge, Kent TN8 6HF
United Kingdom

*Number charged at local rates in the UK (the amount you will be charged per phone call will depend on the tariff of your phone provider); calls from abroad will involve higher costs.

FR BE

Si vous avez des questions concernant ce produit ou en cas de réclamations, veuillez prendre contact avec notre centre de services (de préférence via e-mail).

e-mail: sav@bresser.fr
Téléphone:** 00 800 6343 7000

BRESSER France SARL
Service après-vente
Pôle d'Activités de Nicopolis
314 Avenue des Chênes Verts
83170 Brignoles
France

**Prix d'un appel local depuis la France ou Belgique

NL BE

Als u met betrekking tot het product vragen of eventuele klachten heeft kunt u contact opnemen met het service centrum (bij voorkeur per e-mail).

e-mail: info@bresserbenelux.nl
Téléfono*: +31 528 23 24 76

BRESSER Benelux
Klantenservice
Smirnofstraat 8
7903 AX Hoogeveen
Nederland

*Het telefoonnummer wordt in het Nederland tegen lokaal tarief in rekening gebracht. Het bedrag dat u per gesprek in rekening gebracht zal worden, is afhankelijk van het tarief van uw telefoon provider; gesprekken vanuit het buitenland zullen hogere kosten met zich meebrengen.

ES PT



Si desea formular alguna pregunta sobre el producto o alguna eventual reclamación, le rogamos que se ponga en contacto con el centro de servicio técnico (de preferencia por e-mail).

e-mail: servicio.iberia@bresser-iberia.es
Téléfono*: +34 91 67972 69

BRESSER Iberia SLU
Servicio al Cliente
c/Valdemorillo,1 Nave B
P.I. Ventorro del cano
28925 Alcorcón Madrid
España

*Número local de España (el importe de cada llamada telefónica dependen de las tarifas de los distribuidores); Las llamadas des del extranjero están ligadas a costes suplementarios.

Bresser GmbH
Gutenbergstraße 2
46414 Rhede · Germany
www.bresser.de

    @BresserEurope

