



Weather Station · Wetterstation ·

Colour Weather Center 5in1

EN Instruction manual

DE Bedienungsanleitung

DE Besuchen Sie unsere Website über den folgenden QR Code oder Weblink um weitere Informationen zu diesem Produkt oder die verfügbaren Übersetzungen dieser Anleitung zu finden.

EN Visit our website via the following QR Code or web link to find further information on this product or the available translations of these instructions.

FR Si vous souhaitez obtenir plus d'informations concernant ce produit ou rechercher ce mode d'emploi en d'autres langues, rendez-vous sur notre site Internet en utilisant le code QR ou le lien correspondant.

NL Bezoek onze internetpagina via de volgende QR-code of weblink, voor meer informatie over dit product of de beschikbare vertalingen van deze gebruiksaanwijzing.

ES ¿Desearía recibir unas instrucciones de uso completas sobre este producto en un idioma determinado? Entonces visite nuestra página web utilizando el siguiente enlace (código QR) para ver las versiones disponibles.

IT Desidera ricevere informazioni esaustive su questo prodotto in una lingua specifica? Venga a visitare il nostro sito Web al seguente link (codice QR Code) per conoscere le versioni disponibili.



www.bresser.de/P7002525



www.bresser.de/P7902525



www.bresser.de/P7802525



GARANTIE · WARRANTY · GARANTÍA · GARANZIA



www.bresser.de/warranty_terms

English	4
Deutsch	21

1 Imprint

Bresser GmbH
Gutenbergstr. 2
46414 Rhede
Germany
www.bresser.de

For any warranty claims or service enquiries, please refer to the information on "Warranty" and "Service" in this documentation. We apologize for any inconvenience caused by the fact that we cannot process enquiries or submissions sent directly to the manufacturer's address.

Errors and technical changes excepted.

© 2021 Bresser GmbH

All rights reserved.

The reproduction of this documentation - even in extracts - in any form (e.g. photocopy, print, etc.) as well as the use and distribution by means of electronic systems (e.g. image file, website, etc.) without the prior written permission of the manufacturer is prohibited.

The designations and brand names of the respective companies used in this documentation are generally protected by trade, trademark and/or patent law in Germany, the European Union and/or other countries.

2 Validity note

This documentation is valid for the products with the following article numbers:

7002525 7902525 7802525

Manual version: 0621

Manual designation:

Manual_7002525-7902525-7802525_Colour-Weather-Center-5in1_en-de_BRESSER_v062021a

Always provide information when requesting service.

3 Features

- Precipitation measurement
- Measurement of wind speed
- Wind direction measurement
- DCF radio clock reception and display
- Alarm with snooze function
- Outdoor temperature alarm (frost warning)
- Outdoor temperature (in °C or °F)
- Indoor temperature (in °C or °F)
- Humidity indoor/outdoor
- Air pressure
- Weather index: "Feels like", Wind chill, Heat index, Dew point
- Beaufort scale
- Lowest and highest value display
- Max/min values storage
- Weather Forecast (12~24 hours)
- Moon phases

- Colour display
- Backlight

4 About this Instruction Manual



NOTICE

These operating instructions are to be considered a component of the device.

Read the safety instructions and the operating manual carefully before using this device.

Keep this instruction manual in a safe place for future reference. When the device is sold or given to someone else, the instruction manual must be provided to the new owner/user of the product.

5 Parts overview base station

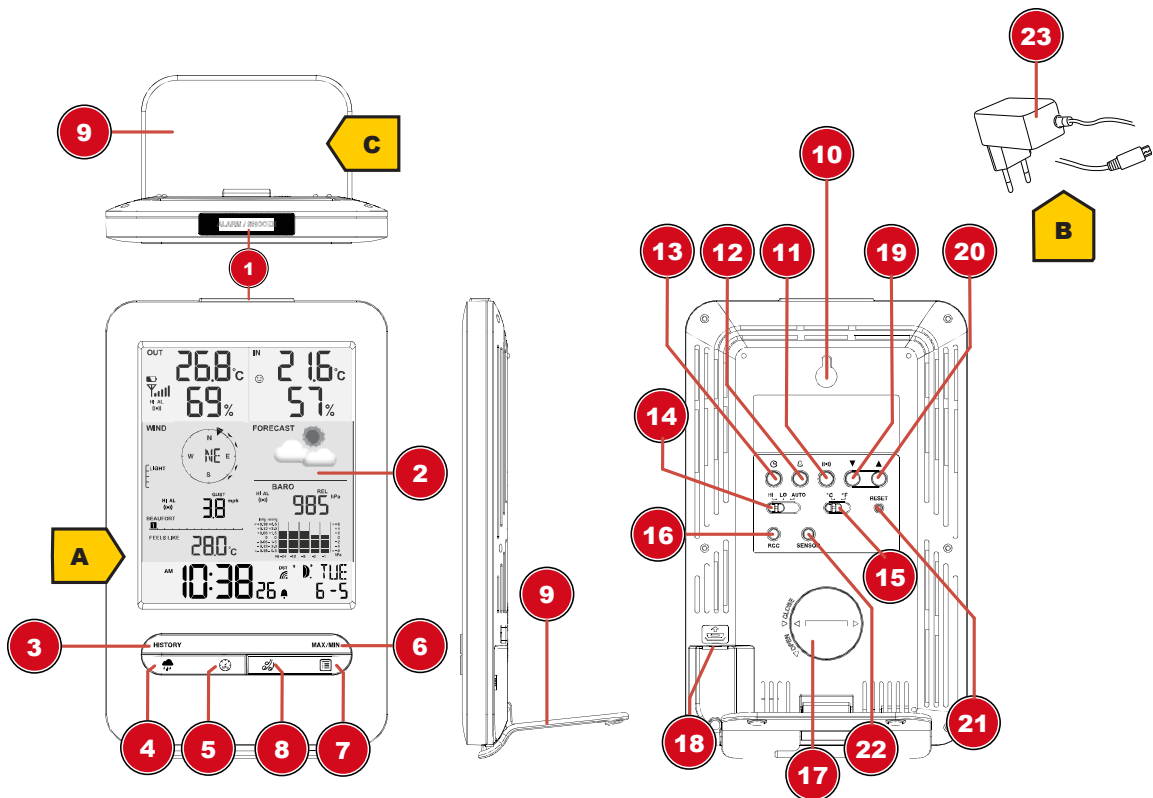


Illustration 1: All parts of the base station

1 ALARM/SNOOZE button (snooze function)	2 Colour display
3 HISTORY key (retrieve measured values from the last 24 hours)	4 RAIN button (displays various precipitation values)
5 BARO key (display of different air pressure values)	6 MAX/MIN key (change between maximum, minimum or current value display)
7 INDEX key (display change between felt temperature, dew point, heat index and wind chill factor)	8 WIND key (change between average and current wind gust)
9 Stand, removable	10 Wall bracket

11 ALERT key (e.g. set temperature alarm)	12 ALARM button (wake-up call setting)
13 CLOCK SET key (manual time setting)	14 HI/LO/AUTO switch (display brightness)
15 °C/°F key (display changes between °C and °F)	16 RCC Button (Initiate time signal reception)
17 Battery compartment (cover)	18 USB power socket for mains adapter
19 DOWN key (value change downwards)	20 UP key (value change upwards)
21 RESET button (reset all settings)	22 SENSOR button (sensor search)
23 AC adapter with DC plug (USB)	

6 Scope of delivery

Base station (A), power adapter (B), stand (C), multifunctional outdoor sensor (D), mounting rod (E), mounting shoe (F), pipe clamp (G), screws, instruction manual

Also required (not included in delivery):
3 x 1.5V batteries type AA/LR6 (outdoor sensor)

Backup battery (not included in delivery):
1 piece of 3V battery type CR2032 (base station)

7 Screen display

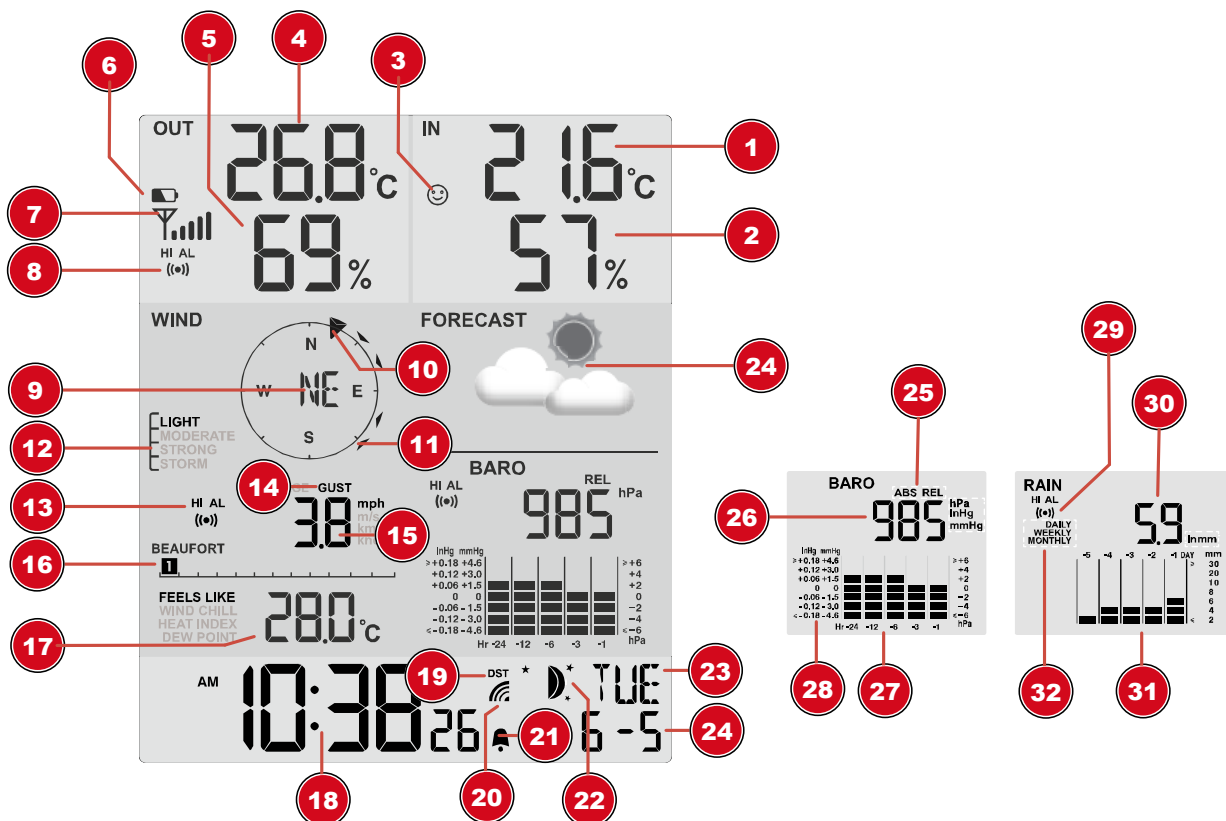


Illustration 2: Screen display

1 Internal temperature	2 Indoor humidity
3 Comfort indicator (climate)	4 Outdoor temperature
5 Outdoor humidity	6 Battery level indicator Outdoor sensor

7	Received signal strength Outdoor sensor	8	Outdoor temperature alarm active (HI/LO)
9	Wind direction	10	Wind direction indicator
11	Wind direction indicator (of the last 5 minutes)	12	Wind speeds
13	Wind alarm active (HI)	14	Wind speed value: mean value (AVERAGE) or last gust (GUST)
15	Wind speed value (mph, m/s, km/h, knot)	16	Beaufort scale for wind force classification
17	INDEX Display change between: feels like, wind chill factor, heat index and dew point	18	Current time
19	Symbol for active daylight saving time (DST)	20	Symbol for the radio signal
21	Wake-up call active	22	Moon phase
23	Day of the week	24	Weather forecast
25	Display change: Relative or absolute air pressure	26	Air pressure (hPa, inHg or mmHg)
27	Air pressure history (24 hours)	28	History of air pressure values
29	Precipitation alarm active (HI/LO)	30	Precipitation quantity
31	Precipitation history (5 days)	32	Timing information

8 Before commissioning



NOTICE

Avoid connection faults!

In order to avoid connection problems between the devices, the following points must be observed during commissioning.

1. Place the base unit (receiver) and sensor (transmitter) as close together as possible.
2. Connect the power supply to the base unit and wait until the indoor temperature is displayed.
3. Establish power supply for the sensor.
4. Set up/operate the base unit and sensor within the effective transmission range.
5. Make sure that the base unit and the radio sensor are set to the same channel.

When changing the batteries, always remove the batteries in both the base unit and the sensor and reinsert them in the correct order so that the radio connection can be re-established. If one of the two devices is operated via a mains power connection, the power connection for this device must also be disconnected briefly when changing the battery. If, for example, only the batteries in the sensor are replaced, the signal cannot be received or can no longer be received correctly.

Note that the actual range depends on the building materials used in the building and the position of the base unit and outdoor sensor. External influences (various radio transmitters and other sources of interference) can greatly reduce the possible range. In such cases, we recommend finding other locations for both the base unit and the outdoor sensor. Sometimes a shift of just a few centimetres is enough!

9 Establish power supply

Base unit

1. Insert the DC plug into the connection socket on the base unit.
2. Insert the Euro plug into the mains power socket.
3. The device is powered on directly.

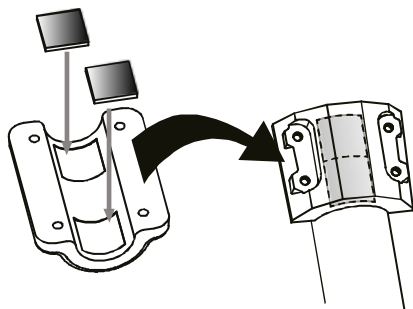
Installing the backup battery:

1. Remove the battery compartment cover.
2. Insert the battery into the battery compartment. Make sure that the battery terminals are correctly aligned (+/-).
3. Replace the battery compartment cover.

Wireless sensor

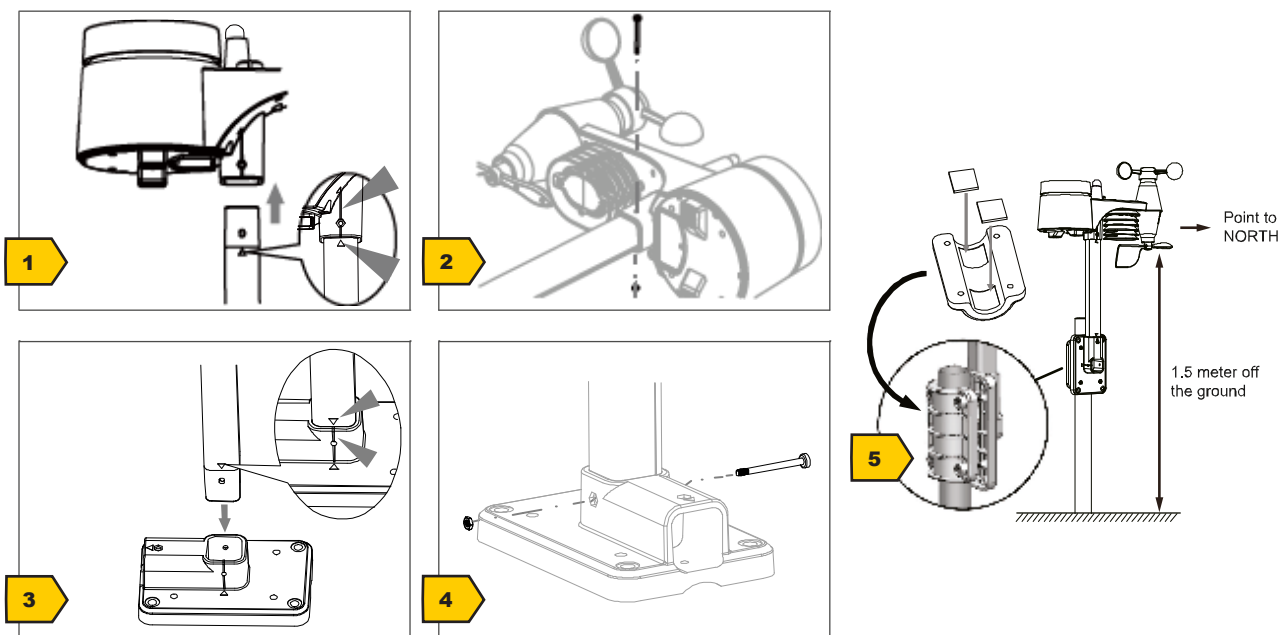
4. Remove the screw on the battery compartment cover with a suitable Phillips screwdriver and remove the battery compartment cover.
5. Insert 2 x AA size batteries into the battery compartment. Make sure that the battery terminals are correctly aligned (+/-).
6. Replace and screw on the battery compartment cover.

10 Attaching rubber linings



Attach the supplied self-adhesive rubber pads to the clamps as shown to ensure a firmer fitting of the mounting rod.

11 Assembling and installing the multifunctional remote sensor



Depending on the desired location, the wireless sensor can be mounted in different ways.

NOTICE! During installation, always ensure that the upper part of the wind vane is at least 1.5 metres above the ground. Ensure an absolutely horizontal position when mounting using the circular level in the sensor head. The wind vane must always face north.

Assembly on a vertical or horizontal wooden element

1. Slide one end of the assembly bar into the aperture below the sensor head.
2. Slide one screw through the bore hole and put on the nut on the opposite site. Tighten the screw connection by hand.
3. Depending on the desired orientation, slide the opposite end of the assembly bar into the aperture for vertical or horizontal mounting of the assembly base.
4. Slide another screw through the bore hole of the assembly base and put on the nut on the opposite site. Tighten the screw connection by hand.

Place the assembly base with its bottom site first on a wooden element. Use 4 wood screws to tighten it.

Assembly on a vertical or horizontal tube

5. Repeat steps 1 to 4 as before.
6. Place the assembly base with its bottom site first on the tube. Push the tube bracket against the tube from the opposite site.
7. Slide 4 screws through the bore holes of the assembly base and through the bore holes of the tube bracket on the other site.
8. Put on the 4 nuts and tighten the screw connection by hand.

12 Signal transmission

The base station will automatically connect to the outdoor sensor. If the battery is changed, the connection must be made manually by pressing the [SENSOR] button at the base station and then pressing the [RESET] button on the sensor with a pointed object to manually search for the sensor. When the connection is successful, the sensor signal strength indicator will be shown on the display.

Connection status display:

Connection status	Screen display
Good signal	Reception symbol
Searching for a sensor	Reception symbol flashes
No signal for 48 hours	Er' (Error) is shown
Sensor low battery status, good signal	Battery symbol is shown

13 Automatic time setting

After the power is restored, the unit automatically searches for the radio signal. It takes approximately 3-8 minutes for this process to complete.

If the radio signal is received correctly, the date and time are set automatically and the reception symbol is displayed.

NOTICE! During radio signal reception, the backlight is set to dimmed mode and returned to normal mode when signal reception is complete.

If no radio signal is received, proceed as follows:

1. Press the RCC button on the base unit for approx. 8 seconds to deactivate reception of the radio signal (the display shows "OFF").
2. Press the RCC button on the base unit for approx. 8 seconds to activate reception of the radio signal ("ON" appears in the display). Reception is now initialised again.

-
3. If no radio signal is still received, the time setting must be made manually.

14 Manual time setting

To set the time/date manually, first disable the reception of the time signal by pressing the RCC button for about 8 seconds.

1. Press the CLOCK-SET button for approx. 3 seconds to enter the time setting mode.
2. Digits to be set are flashing.
3. Press UP or DOWN button to change the value.
4. Press the CLOCK-SET button to confirm the entry and move to the next setting.
5. Settings order: 12/24-hour mode > Hours > Minutes > Seconds > Year > M> Day > Time offset > Language > Daylight saving time Auto/off
6. Finally, press the CLOCK-SET button to save the settings and exit the setting mode.

15 Time zone setting

To set a different time zone, proceed as follows:

1. Press the CLOCK-SET button for approx. 3 seconds to enter the time setting mode.
2. Press the CLOCK-SET button several times until the display shows 00 Hr time offset.
3. Press UP or DOWN button to select the desired time deviation in hours (-23 up to +23 hours).
4. Press the CLOCK-SET button for approx. 3 seconds to confirm the selected time deviation.

16 Setting Daylight Saving Time (DST)

To set a different time zone, proceed as follows:

1. Press the TIME button for about 3 seconds to enter the time setting mode.
2. Press the TIME button repeatedly until the daylight saving time (DST) setting flashes on the display.
3. Press the UP or DOWN button to select between AUTO (summer time on) and OFF (summer time off).
4. Press the TIME button for about 3 seconds to confirm the setting.

17 Alarm setting

Turn on/off Alarm clock (and Ice Alert function)

1. Press ALARM button to show the alarm time.
2. Press the ALARM button again to activate the alarm.
3. Press the ALARM button one more time to activate the alarm with ice alert.
4. With activated ice alert, the alarm will sound 30 minutes earlier if outside temperature is below -3° C.
5. To disable the alarm and ice alert, press the ALARM button until the alarm icons disappear.

Set Alarm time

6. Press and hold ALARM button for approx. 3 seconds to enter the alarm time setting mode.
7. Digits to be set are flashing.
8. Press UP or DOWN button to change the value.
9. Press ALARM button to confirm and continue to the next setting.

10. Settings order: Hours > Minutes
11. Finally press the ALARM button to save the settings and exit the setting mode.

18 Snooze function

1. When the alarm sound starts, press the ALARM/SNOOZE button to activate the Snooze function. The Alarm will sound again after 5 minutes.
2. When the alarm sound starts, press the ALARM button or press and hold the ALARM/SNOOZE button for approx. 3 seconds, to stop the alarm.
3. The alarm will be turned off automatically if no button is pressed within 2 minutes.

19 Receiving measurements automatically

Once power is restored, the base station will begin to display indoor readings and the first readings received from the outdoor sensor will be displayed within approximately 3 minutes of commissioning.

If no signal is received, proceed as follows:

Press the SENSOR button for approx. 2 seconds to initiate the reception of the measured values again.

20 Rainfall

The amount of precipitation is displayed on the base station in millimeters or inches that has accumulated over a period of time, based on the current precipitation rate.

Rainfall rate	Daily rainfall	Weekly rainfall	Monthly rainfall

Select display mode

Press the RAIN key repeatedly until the desired time period is shown on the display:

RATE	Current precipitation of the last hour
DAILY	Total precipitation of the current day, measured from midnight
WEEKLY	Total precipitation of the current week
MONTHLY	Total precipitation of the current month

Select measurement unit (millimeters or inches)

1. Press the RAIN key for about 3 seconds to enter unit setting.
2. Press the UP or DOWN key to toggle between mm (millimeters) and in (inches).
3. Finally, press the RAIN key to save the settings and exit settings mode.

NOTICE! The readings are automatically updated every 6 minutes.

21 HI/LO Alert

HI/LO alert are used to alert you of certain weather conditions. Once activated, an alarm sound is triggered and the alert icon flashes as soon as a set value is reached. Supported areas and alarm types:

Area	Type of alert available
------	-------------------------

Indoor temperature	HI AL / LO AL
Indoor humidity	HI AL / LO AL
Outdoor temperature	HI AL / LO AL
Outdoor humidity	HI AL / LO AL
Rainfall (daily)	HI AL*
Wind speed	HI AL

HI AL = High alert / LO AL = Low alert

*Daily rainfall since midnight

HI/LO alert setting

1. Press ALERT button until the desired area is selected.
2. Press UP or DOWN button to change the value.
3. Press ALERT button to confirm and continue to the next setting.

Enable/Disable HI/LO Alert

4. Press ALERT button until the desired area is selected.
5. Press ALARM button, to activate the alarm.
6. Press ALERT button to confirm and continue to the next setting.

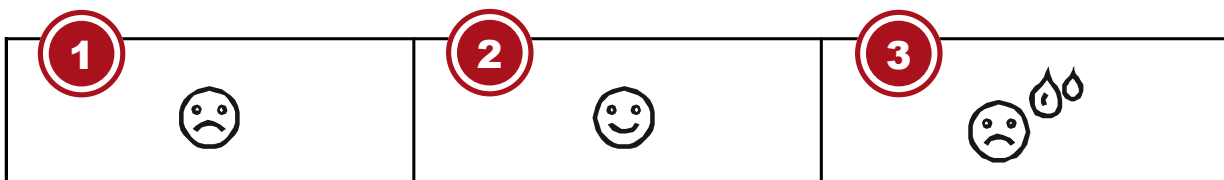
Note:

7. The unit will automatically exit setting mode in 5 seconds if no button is pressed.
8. When ALERT alarm is on, the area and type of alarm that triggered the alarm will be flashing and the alarm will sound for 2 minutes.
9. Press SNOOZE/LIGHT button when alarm sounds to interrupt the alarm. The alarm will then start again after 2 minutes.

Data clearing

10. Press and hold HISTORY button for approx. 3 seconds.
11. Press UP or DOWN button to choose YES or NO.
12. Press HISTORY button to confirm. This will clear out any rainfall data recorded before.

22 Clima indication (indoor)



1 too cold

2 comfortable

3 too warm

The clima indication is a pictorial indication based on indoor air temperature and humidity in an attempt to determine comfort level.

Note:

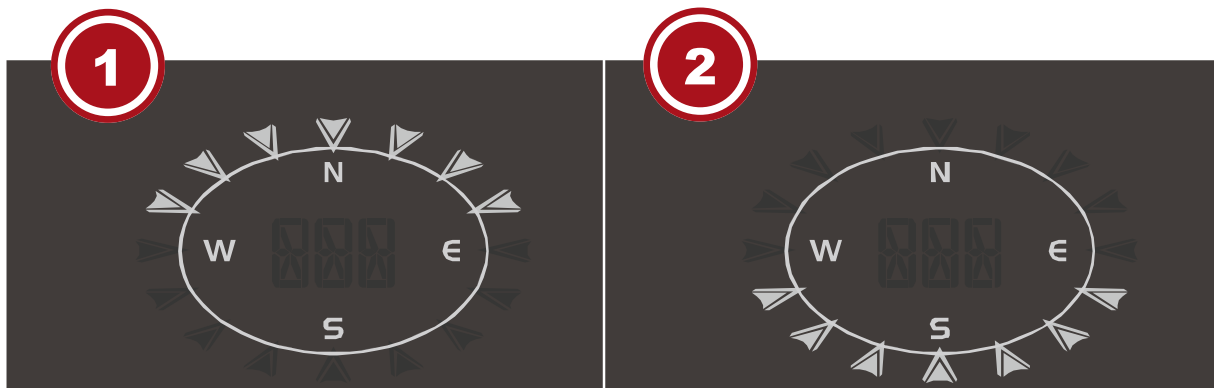
- Comfort indication can vary under the same temperature, depending on the humidity.
- There is no comfort indication when temperature is below 0° C (32° F) or over 60° C (140° F)

23 Data clearing

During installation of the outdoor sensor, the sensor could have been triggered, resulting in erroneous rainfall and wind measurements. After the installation user may clear all the erroneous data from the main unit without a need to reset the clock and re-establish pairing. Simply press and hold the HISTORY button for 10 seconds. This will clear out any data recorded before.

24 Pointing the sensor to the south

The sensor is calibrated to be pointing to North by default. However, in some cases, users may wish to install the product with the arrow pointing towards the South, especially for people living in the Southern hemisphere (e.g. Australia, New Zealand).



1 Northern hemisphere

2 Southern hemisphere

1. First install the outdoor sensor with its arrow pointing to the south. Please refer to "Installation" chapter for mounting details.
2. Press and hold the WIND button for approx. 8 seconds until the upper part (northern hemisphere) of the compass rose is blinking.
3. Press the UP or DOWN button to change to lower part (southern hemisphere).
4. Press the WIND button to confirm and exit.

Note:

Changing the hemisphere setting will automatically switch the direction of the moon phase on the display.

25 Moon phases

In the Northern hemisphere, the moon waxes from the right. Hence the sun-lit area of the moon moves from right to left in the Northern hemisphere, while in the Southern hemisphere, it moves from left to right. Below are the 2 tables which illustrate how the moon will appear on the main unit.

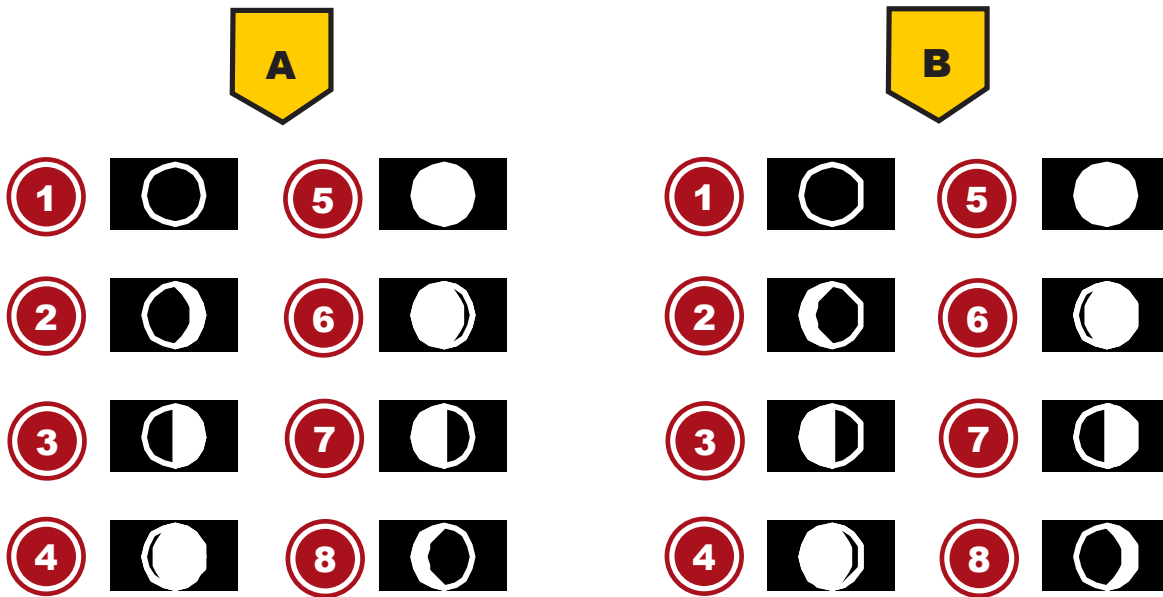
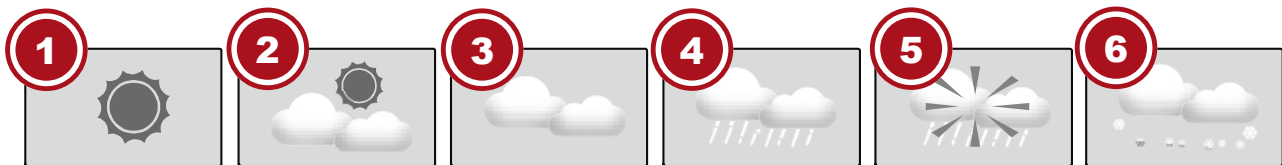


Illustration 3: (A) Northern hemisphere, (B) Southern hemisphere

1 New moon	2 Waxing crescent
3 First quarter	4 Waxing gibbous
5 Full moon	6 Waning gibbous
7 Third quarter	8 Waning crescent

26 Weather trend

A weather trend for the next 12-24 hours is calculated from the measured values and displayed graphically as follows:



1 Sunny	2 Partly cloudy
3 Cloudy	4 Rain
5 Rain/storm	6 Snow

Note:

- The accuracy of a pressure-based weather forecast is about 70% to 75%.
- The weather forecast is intended for the next 12 hours and does not necessarily reflect the current situation.
- The snow weather forecast is not based on air pressure, but on the outdoor temperature. When the outdoor temperature is below -3°C (26°F), the snow symbol appears on the LCD display.

27 Barometric / Atmospheric Pressure

Atmospheric pressure (hereinafter referred to as "air pressure") is the pressure at any place on earth caused by the weight of the layer of air above it. Air pressure is proportional to average pressure and decreases gradually with altitude. Meteorologists use barometers to measure air pressure. Because the weather is highly dependent on changes in air pressure, it is possible to make a weather forecast from the measured changes in air pressure.

In normal display mode, press the BARO button repeatedly to display the desired unit (hPa, inHg or mmHg).



Set relative atmospheric pressure

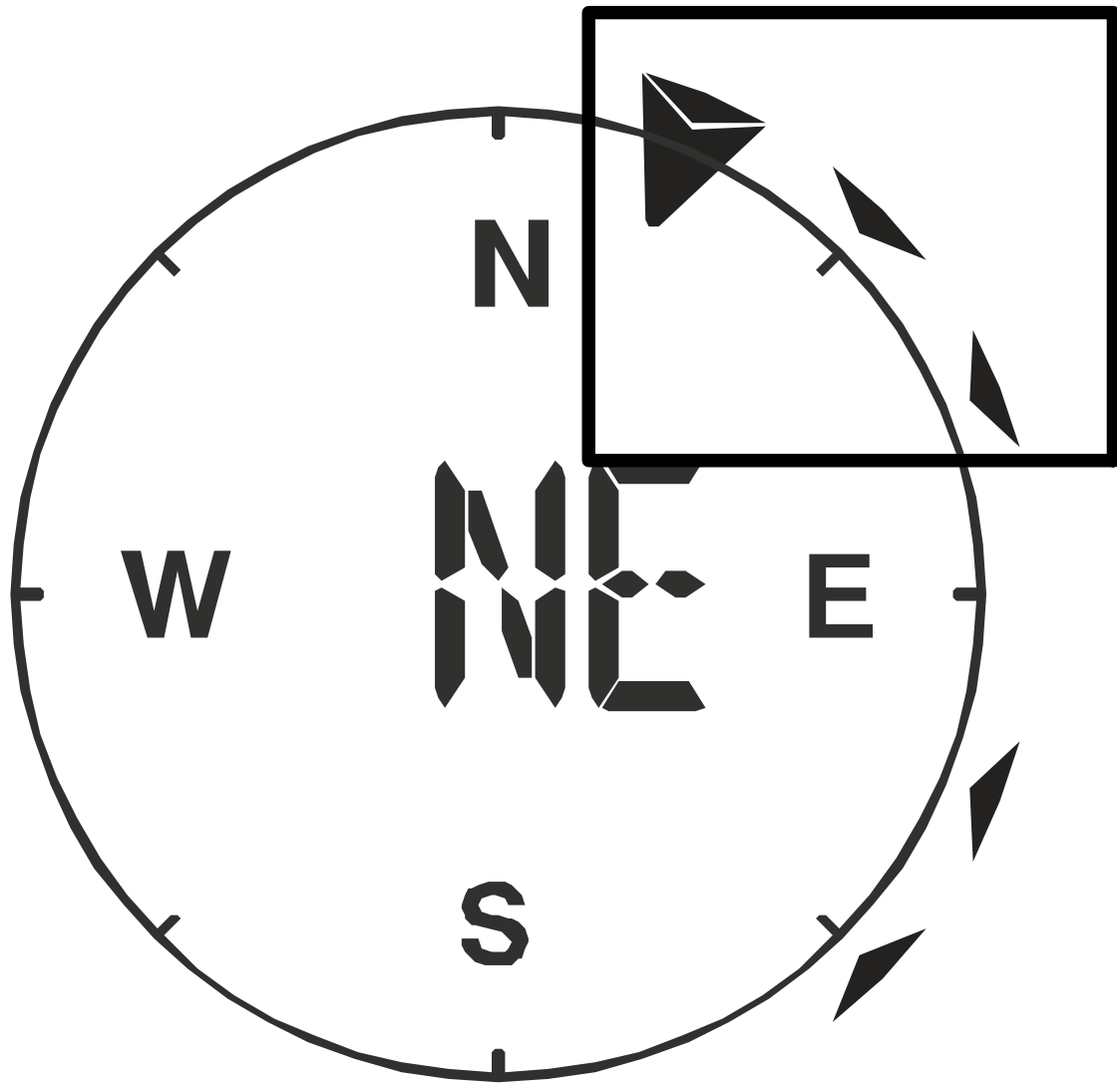
1. Find out the relative air pressure value for your location (or as close to it as possible) through the local weather service, the Internet or other sources.
2. Press the BARO button for approx. 3 seconds until ABS or REL flashes.
3. Press the UP or DOWN key until REL flashes.
4. Press the BARO button to move to the next setting value.
5. Press the UP or DOWN key to change the REL value (according to the researched value).
6. Finally, press the CLOCK-SET button to save the settings and exit the setting mode.

- **NOTICE! ABS: Absolute air pressure at your current location**
- **NOTICE! REL: Relative air pressure based on sea level (N.N.)**
- **NOTICE! The default relative air pressure value is 1013 mbar/hPa (29.91 inHg), which is relative to the average air pressure value.**
- **NOTICE! If the value for the relative air pressure is changed, the weather displays also change as a result.**
- **NOTICE! The built-in barometer registers changes in absolute air pressure caused by the environment. Based on the collected data, a forecast for the weather conditions in the next 12 hours can be made. The weather indicators change according to the determined absolute air pressure after only one hour of operation.**
- **NOTICE! The relative air pressure is based on sea level, but it also changes with changes in absolute air pressure after one hour of operation.**

28 Wind speed and direction

Reading the wind direction

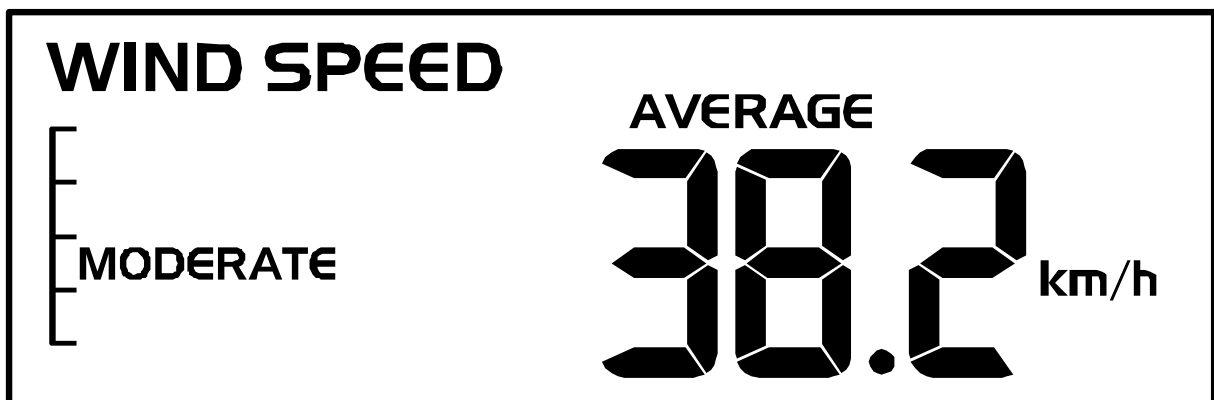
Wind direction indicator	Meaning
	Real-time wind direction
	Wind directions appeared in the last 5 minutes (max. 6)



Select display mode

Press the WIND button several times until the desired rate is displayed:

- **AVERAGE:** average of all wind speed numbers recorded in the previous 30 seconds
- **GUST:** highest wind speed (gust) recorded from last reading



The wind level provides a quick reference on the wind condition and is indicated by a series of text icons:

Wind level	LIGHT	MODERATE	STRONG	STORM
Speed	1 – 19 km/h	20 – 49 km/h	50 – 88 km/h	> 88 km/h

Select wind speed unit

1. Press the WIND button for approx. 3 seconds to enter the setting mode.
2. Press the UP or DOWN button to change the unit between mph (miles per hour), m/s (miles per second), km/h (kilometer per hour) or knots.
3. Press the WIND button to save the settings and exit the setting mode.

29 Beaufort scale

The Beaufort scale is an international scale of wind velocities from 0 (calm) to 12 (Hurricane force).

Beaufort number	Description	Speed
0	calm	< 1 km/h < 1 mph < 1 knots < 0.3 m/s
1	light air	1.1-5.5 km/h 1-3 mph 1-3 knots 0.3-1.5 m/s
2	light breeze	5.6-11 km/h 4-7 mph 1-3 knots 0.3-1.5 m/s
3	gentle breeze	12-19 km/h 8-12 mph 7-10 knots 3.5-5.4 m/s
4	moderate breeze	20-28 km/h 13-17 mph 11-16 knots 5.5-7.9 m/s
5	fresh breeze	29-38 km/h 18-24 mph 17-21 knots 8.0-10.7 m/s
6	strong gale	39-49 km/h 25-30 mph 22-27 knots 10.8-13.8 m/s
7	high wind	50-61 km/h 31-38 mph 28-33 knots 13.9-17.1 m/s
8	gale	62-74 km/h 39-46 mph 34-40 knots 17.2-20.7 m/s
9	strong gale	75-88 km/h 47-54 mph 41-47 knots 20.8-24.4 m/s
10	storm	89-102 km/h 55-63 mph 48-55 knots 24.5-28.4 m/s
11	violent storm	103-117 km/h 64-73 mph 56-63 knots 28.5-32.6 m/s
12	hurricane force	> 118 > 74 mph > 64 knots 32.7 m/s

30 Wind chill factor

Press the INDEX button several times until WIND CHILL is displayed.

Note:

The wind chill factor is based on the common effects of temperature and wind speed. The displayed wind chill is calculated solely from temperature and wind speed and is measured by the outdoor sensor.

31 Temperature display

Move the °C/°F switch to toggle between °C and °F temperature display.

When temperatures of -40° C or below are reached, the information "LO" is output for the respective range, when temperatures of over 70° C or above are reached, the information "HI" is output. The measurable temperature range has been exceeded or fallen below.

When returning to a measurable temperature range, the appropriate temperature is displayed again.

32 Feels like temperature

Press the INDEX button repeatedly until FEELS LIKE appears on the display.

Note:

The feels like temperature indicates the temperature value according to the personal temperature perception.

33 Heat index

Press the INDEX button several times until HEAT INDEX is displayed.

Heat index	Warning	Meaning
> 55° C (> 130° F)	Extreme danger	Strong risk of dehydration / sun stroke
41° C – 54° C (106° F – 129° F)	Danger	Heat exhaustion likely
33° C – 40° C (91° F – 105° F)	Extreme caution	Possibility of dehydration
27° C – 32° C (80° F – 90° F)	Caution	Possibility of heat exhaustion

Notice:

The perceived temperature is based on the common effects of temperature and humidity. Heat index is only calculated when room temperature is at 27° (80° F) or higher. The displayed perceived temperature is calculated solely from temperature and humidity and is measured by the outdoor sensor.

34 Dew point

Press the INDEX button several times until DEW POINT is displayed.

Note:

The dew point is the temperature below which the water vapor in air at constant barometric pressure condenses into liquid water at the same rate at which it evaporates. The condensed water is called dew when it forms on a solid surface. The dewpoint temperature is calculated from the indoor temperature and humidity measured at the main unit.

35 History record for the past 24 hours

The base station automatically records and displays data of the past 24 hours.

1. Press the HISTORY button to check history records of the last hour.
2. Press the HISTORY button several times to display the history records of the hours 2,3,4,5

36 MAX/MIN Weather data

The base station preserves the MAX/MIN weather data records until the next manual reset. To retrieve the data:

1. Press MAX/MIN button several times to display the stored values one after another.
2. Display order: Outdoor max temperature > Outdoor min temperature > Outdoor max humidity > Outdoor min humidity > Indoor max temperature > Indoor min temperature > Indoor max humidity > Indoor min humidity > Outdoor max wind chill > Outdoor min wind chill > Outdoor max heat index > Outdoor min heat index > max dew point > min dew point > max pressure > min pressure > max average > max gust > max rainfall
3. Press MAX/MIN button for approx. 2 seconds to delete all saved values.

37 Display brightness regulation

- Move the[HI/LO/AUTO] switch to change the brightness of the display. The brightness is automatically adjusted to the next level. Brightness level order: brighter backlight[HI] > dimmer backlight[LO] > automatic[AUTO]
- [AUTO] automatically adjusts the brightness according to the environment.

38 Technical data

Base unit

Power supply	5V DC 600mA USB power plug Backup: 1x CR2032
Temperature unit	°C/°F
Time display	HH:MM:SS / weekday
Time format	12 or 24 hours
Calendar display	DD/MM
Time signal	DCF
DAYLIGHT SAVING TIME (DST)	AUTO / OFF
Dimensions	118 x 192.5 x 21 mm (W x H x D)
Weight (incl. batteries)	260 g

Multisensor

Batteries	3x AA, 1.5V
Maximum number of sensors	1x wireless multisensor
RF transmission frequency	868 MHz
RF transmission range	150 m
Maximum radio-frequency power	< 25mW
Temperature measuring range	from -40°C to 60°C (from -40°F to 140°F)
Barometer measuring range	540 to 1100hPa
Humidity measuring range	1 ~ 20% RH ± 6.5% RH @ 25°C (77°F) 21 ~ 80% RH ± 3.5% RH @ 25°C (77°F)

	81 ~ 99% RH ± 6.5% RH @ 25°C (77°F)
Humidity resolution	1% HR
Precipitation measuring range	From 0 to 9999 mm (from 0 to 393.7 inch)
Wind speed measuring range	From 0 to 112 mph, 50 m/s, 180km/h, 97 knots
Dimensions	343.5 x 393.5 x 136 mm (W x H x D)
Weight (incl. batteries)	673 g

39 EC declaration of conformity



A "Declaration of conformity" in accordance with the applicable directives and corresponding standards has been prepared by Bresser GmbH. The full text of the EC declaration of conformity is available at the following Internet address: http://www.bresser.de/download/7002525/CE/7002525_7902525_7802525_CE.pdf

40 UKCA Declaration of Conformity



Bresser GmbH has issued a "Declaration of Conformity" in accordance with applicable guidelines and corresponding standards. The full text of the UKCA declaration of conformity is available at the following internet address: http://www.bresser.de/download/7002525/CE/7002525_7902525_7802525_UKCA.pdf

Bresser UK Ltd. • Suite 3G, Eden House, Enterprise Way, Edenbridge, Kent TN8 6Hf, Great Britain

41 Warranty

The regular warranty period is 5 years and starts on the day of purchase. For full warranty terms and services, please visit www.bresser.de/warranty_terms.

42 Disposal



Dispose of the packaging materials properly, according to their type, such as paper or cardboard. Contact your local waste-disposal service or environmental authority for information on the proper disposal.



Do not dispose of electronic devices in the household garbage!

According to the European Directive 2012/19/EU on Waste Electrical and Electronic Equipment and its transposition into national law, used electrical equipment must be collected separately and recycled in an environmentally sound manner.



Batteries and rechargeable batteries must not be disposed of with household waste. You are legally obliged to return used batteries and accumulators and can return the batteries after use either in our sales outlet or in the immediate vicinity (e.g. in the trade or in municipal collection points) free of charge.

Batteries and accumulators are marked with a crossed-out dustbin and the chemical symbol of the pollutant, "Cd" stands for cadmium, "Hg" stands for mercury and "Pb" stands for lead.



Cd¹



Hg²



Pb³

1 Impressum

Bresser GmbH
Gutenbergstr. 2
46414 Rhede
Germany
www.bresser.de

Für etwaige Gewährleistungsansprüche oder Serviceanfragen verweisen wir auf die Informationen zu „Garantie“ und „Service“ in dieser Dokumentation. Wir bitten um Verständnis, dass direkt an die Hersteller-Anschrift gerichtete Anfragen oder Einsendungen nicht bearbeitet werden können.

Irrtümer und technische Änderungen vorbehalten.

© 2021 Bresser GmbH

Alle Rechte vorbehalten.

Die Reproduktion dieser Dokumentation – auch auszugsweise – in irgendeiner Form (z.B. Fotokopie, Druck, etc.) sowie die Verwendung und Verbreitung mittels elektronischer Systeme (z.B. Bilddatei, Website, etc.) ohne eine vorherige schriftliche Genehmigung des Herstellers ist nicht gestattet.

Die in dieser Dokumentation verwendeten Bezeichnungen und Markennamen der jeweiligen Firmen sind im Allgemeinen in Deutschland, der Europäischen Union und/oder weiteren Ländern waren-, marken- und/oder patentrechtlich geschützt.

2 Gültigkeitshinweis

Diese Dokumentation ist gültig für die Produkte mit den nachfolgend aufgeführten Artikelnummern:
7002525 7902525 7802525

Anleitungsversion: 0621

Bezeichnung dieser Anleitung:

Manual_7002525-7902525-7802525_Colour-Weather-Center-5in1_en-de_BRESSER_v062021a

Informationen bei Serviceanfragen stets angeben.

3 Eigenschaften

- Messung der Niederschlagsmenge
- Messung der Windgeschwindigkeit
- Messung der Windrichtung
- DCF Funkuhr Empfang und Anzeige
- Weckruf mit Schlummerfunktion (Snooze)
- Außentemperaturalarm (Frostwarnung)
- Außentemperatur (in °C oder °F)
- Innentemperatur (in °C oder °F)
- Luftfeuchtigkeit innen/außen
- Luftdruck
- Wetterindex: „Feels Like“ (gefühlte Temperatur), Windkühlfaktor, Wärmeindex, Taupunkt
- Beaufort-Skala
- Tiefst- und Höchstwertanzeige
- Max-/Min-Werte Speicherung
- Wettervorhersage (12~24 Stunden)
- Mondphasen

- Farbdisplay
- Hintergrundbeleuchtung

4 Zu dieser Anleitung



HINWEIS

Diese Bedienungsanleitung ist als Teil des Gerätes zu betrachten!

Lesen Sie vor der Benutzung des Geräts aufmerksam die Sicherheitshinweise und die Bedienungsanleitung.

Bewahren Sie diese Bedienungsanleitung für die erneute Verwendung zu einem späteren Zeitpunkt auf. Bei Verkauf oder Weitergabe des Gerätes ist die Bedienungsanleitung an jeden nachfolgenden Besitzer/Benutzer des Produkts weiterzugeben.

5 Teileübersicht Basisstation

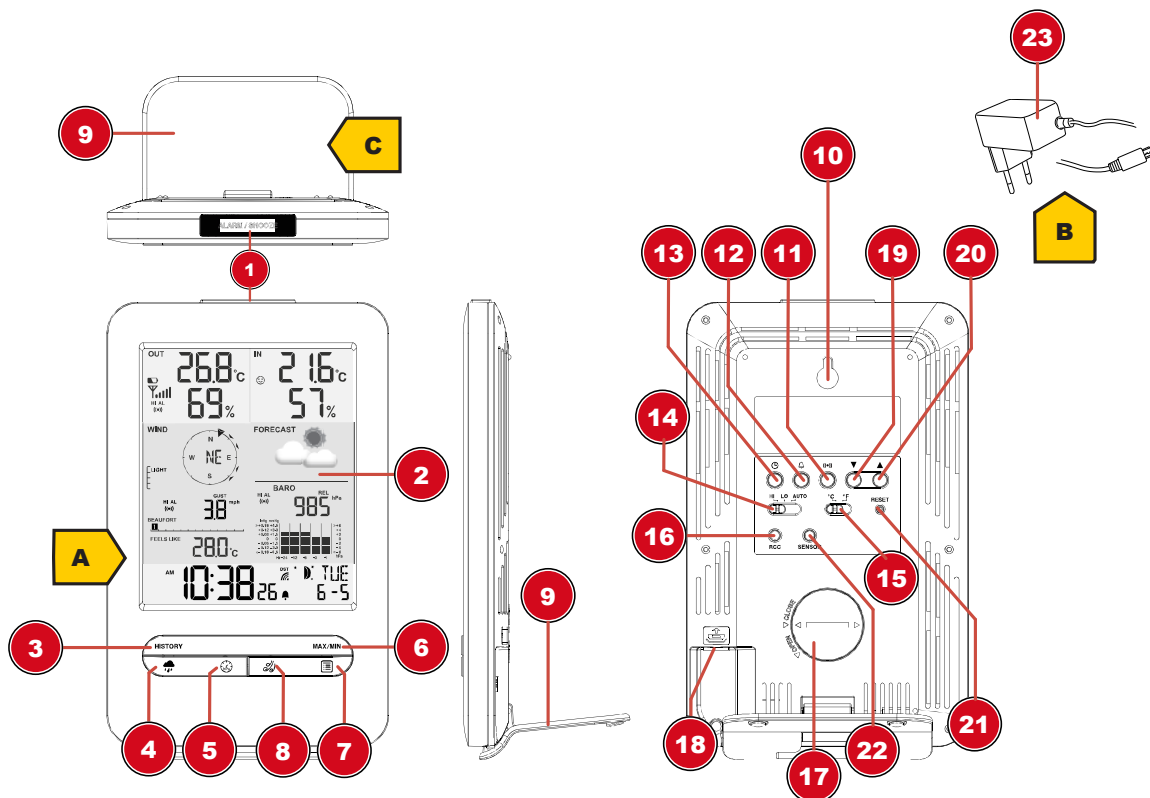


Abb. 1: Alle Teile der Basisstation

- | | |
|--|---|
| 1 ALARM/SNOOZE-Taste (Schlummerfunktion) | 2 Farbdisplay |
| 3 HISTORY-Taste (Messwerte der letzten 24 Stunden abrufen) | 4 RAIN-Taste (Anzeige verschiedener Niederschlagswerte) |
| 5 BARO-Taste (Anzeige verschiedener Luftdruckwerte) | 6 MAX/MIN-Taste (Wechsel zwischen Höchst-, Tiefst- oder aktueller Werteanzeige) |

7 INDEX-Taste (Anzeigewechsel zwischen gefühlter Temperatur, Taupunkt, Wärmeindex und Windkühlfaktor)	8 WIND-Taste (Wechsel zwischen durchschnittlicher und aktueller Windböe)
9 Standfuß, abnehmbar	10 Wandhalterung
11 ALERT-Taste (u.a. Temperaturalarm einstellen)	12 ALARM-Taste (Weckrufeinstellung)
13 CLOCK SET-Taste (manuelle Zeiteinstellung)	14 HI/LO/AUTO-Schalter (Anzeigeelligkeit)
15 C/°F-Taste (Anzeigewechsel zwischen °C und °F)	16 RCC-Knopf (Zeitsignal-Empfang initiieren)
17 Batteriefach(-abdeckung)	18 USB Stromanschlussbuchse für Netzadapter
19 DOWN-Taste (Wertänderung abwärts)	20 UP-Taste (Wertänderung aufwärts)
21 RESET-Taste (alle Einstellungen zurücksetzen)	22 SENSOR-Taste (Funksensor suchen)
23 Netzadapter mit DC-Stecker (USB)	

6 Lieferumfang

Basisstation (A), Netzadapter (B), Standfuß (C), multifunktionaler Außensensor (D), Montagestab (E), Montageschuh (F), Rohrschelle (G), Schrauben, Bedienungsanleitung

Außerdem erforderlich (nicht im Lieferumfang enthalten):

3 Stück 1.5V Batterien Typ AA (Außensensor)

Backup Batterie (nicht im Lieferumfang enthalten):

1 Stück 3V Batterie Typ CR2032 (Basisstation)

7 Displayanzeigen

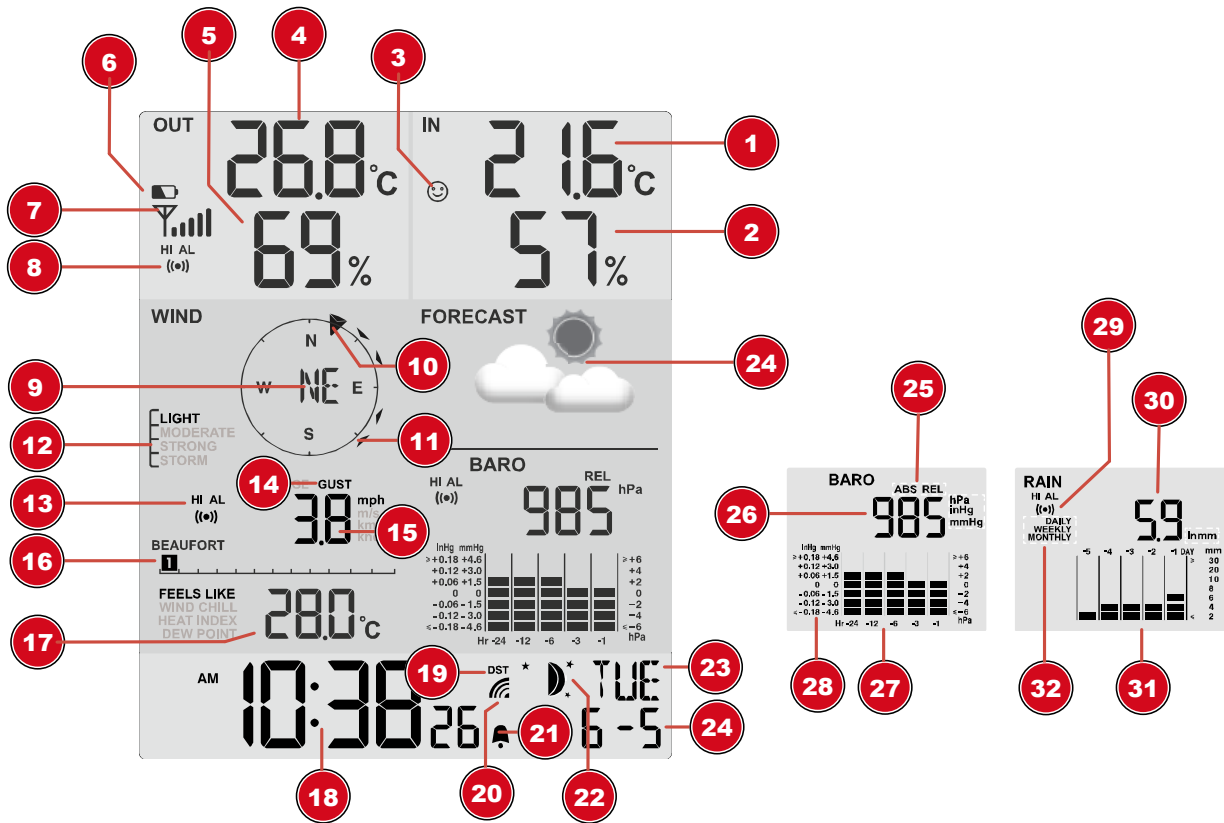


Abb. 2: Displayanzeigen

1 Innentemperatur	2 Innenluftfeuchtigkeit
3 Komfortindikator (Klima)	4 Außentemperatur
5 Außenluftfeuchtigkeit	6 Batteriestandanzeige Außensensor
7 Empfangssignalstärke Außensensor	8 Temperaturalarm Außenbereich aktiv (HI/LO)
9 Windrichtung	10 Windrichtungsindikator
11 Windrichtungsindikator (der letzten 5 Min.)	12 Windgeschwindigkeitsstufen
13 Windalarm aktiv (HI)	14 Windgeschwindigkeitswert: Mittelwert (AVERAGE) oder letzte Böe (GUST)
15 Windgeschwindigkeitswert (mph, m/s, km/h, knot)	16 Beaufort-Skala zur Windstärkeneinordnung
17 INDEX Anzeigewechsel zwischen: gefühlter Temperatur (feels like), Windkühlfaktor, Wärmeindex und Taupunkt	18 Aktuelle Uhrzeit
19 Sommerzeit (DST) ein	20 Symbol für das Funksignal
21 Weckruf aktiv	22 Mondphase
23 Wochentag	24 Wettervorhersage
25 Anzeigenwechsel: Relativer oder absoluter Luftdruck	26 Luftdruck (hPa, inHg oder mmHg)
27 Luftdruck-Historie (24 Stunden)	28 Historie der Luftdruckwerte
29 Niederschlagsalarm aktiv (HI/LO)	30 Niederschlagsmenge
31 Niederschlags-Historie (5 Tage)	32 Zeitberechnungsinformation

8 Vor der Inbetriebnahme



HINWEIS

Vermeidung von Verbindungsstörungen!

Um Verbindungsstörungen zwischen den Geräten zu vermeiden, sind die folgenden Punkte bei der Inbetriebnahme zu beachten.

1. Basisgerät (Empfänger) und Sensor (Sender) so nah wie möglich nebeneinander stellen/legen.
2. Stromversorgung für das Basisgerät herstellen und warten bis die Innentemperatur angezeigt wird.
3. Stromversorgung für den Sensor herstellen.
4. Basisgerät und Sensor innerhalb des effektiven Übertragungsbereichs aufstellen/betreiben.
5. Sicherstellen, dass Basisgerät und Funksensor auf den gleichen Kanal eingestellt sind.

Bei einem Batteriewechsel stets die Batterien sowohl im Basisgerät als auch im Sensor entfernen und in richtiger Reihenfolge wieder neu einsetzen, damit die Funkverbindung erneut aufgebaut werden kann. Wird eines der beiden Geräte über einen Netzstromanschluss betrieben, so muss auch für dieses bei einem Batteriewechsel kurzzeitig die Stromverbindung getrennt werden. Werden z.B. nur die Batterien im Sensor ausgetauscht, kann das Signal anschließend gar nicht oder nicht mehr korrekt empfangen werden.

Beachten Sie, dass die tatsächliche Reichweite von den jeweils verwendeten Baumaterialien der Gebäude sowie der jeweiligen Position der Basiseinheit und des Außensensors abhängt. Durch externe Einflüsse (diverse Funksender und andere Störquellen) kann sich die mögliche Reichweite stark verringern. In solchen Fällen empfehlen wir, sowohl für das Basisgerät als auch den Außensensor andere Standorte zu suchen. Manchmal reicht schon ein Verschieben um wenige Zentimeter!

9 Stromversorgung herstellen

Basisgerät

1. DC-Stecker in die Anschlussbuchse am Basisgerät stecken.
2. Netzstecker in die Steckdose stecken.
3. Das Gerät wird direkt mit Strom versorgt.

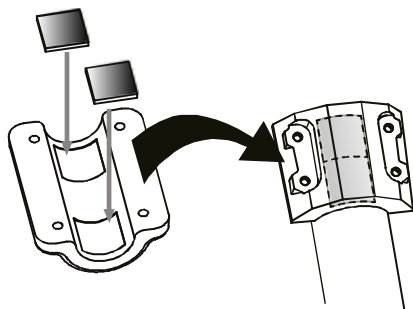
Installation der Backup Batterie:

1. Batteriefachdeckel entfernen.
2. Batterie in das Batteriefach einsetzen. Dabei die korrekte Ausrichtung der Batteriepole (+/-) beachten.
3. Batteriefachdeckel wieder aufsetzen.

Funksensor

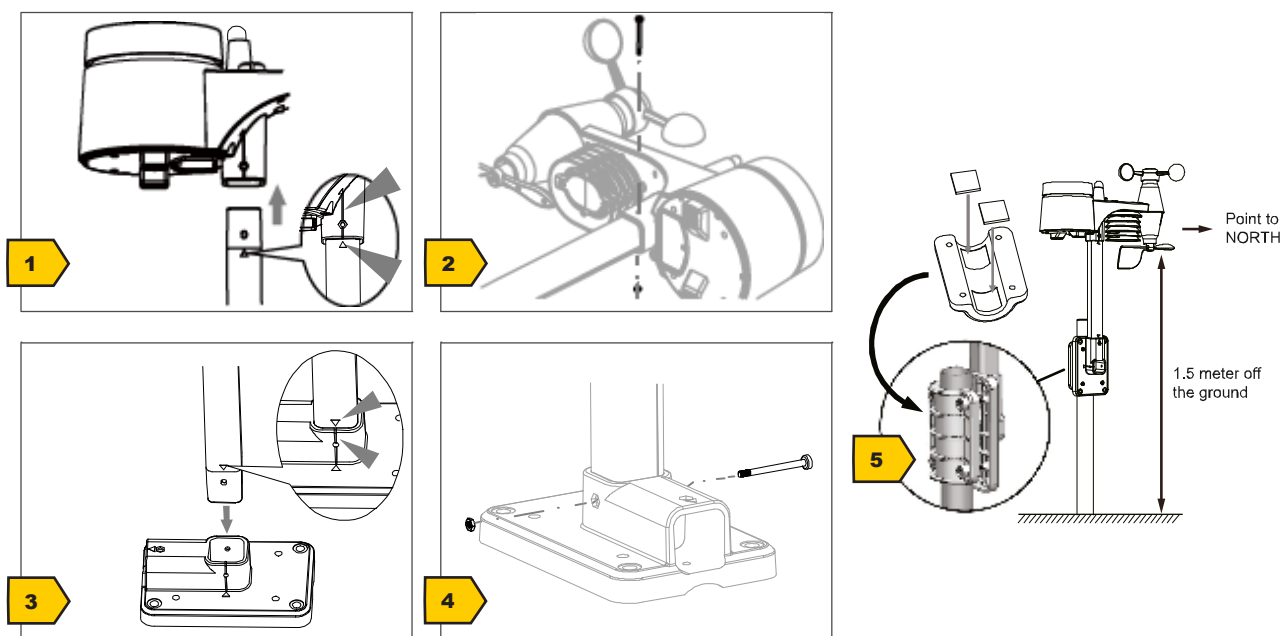
4. Schraube am Batteriefachdeckel mit einem geeigneten Kreuzschraubendreher entfernen und Batteriefachdeckel abnehmen.
5. Batterien in das Batteriefach einsetzen. Dabei die korrekte Ausrichtung der Batteriepole (+/-) beachten.
6. Batteriefachdeckel wieder aufsetzen und anschrauben.

10 Gummibeläge anbringen



Die mitgelieferten selbstklebenden Gummibeläge an den Rohrschellen wie abgebildet anbringen, um einen festeren Sitz der Montagegange zu gewährleisten.

11 Multifunktions-Funksensor montieren und anbringen



Abhängig vom gewünschten Standort kann der Funksensor auf verschiedene Weise montiert werden.

HINWEIS! Bei der Montage stets darauf achten, dass sich der obere Teil der Windfahne mindestens 1,5 Meter über dem Erdboden befindet. Beim Anbringen mithilfe der Dosenlibelle im Sensorkopf für eine absolut waagerechte Position sorgen. Das Windrad muss stets nach Norden zeigen.

Montage an einem vertikal oder horizontal ausgerichteten Holzelement

1. Ein Ende des Montagestabes in die Öffnung unterhalb des Sensorkopfes stecken.
2. Eine Schraube durch die Bohrung schieben und auf der anderen Seite die Mutter aufsetzen. Die Schraubverbindung handfest anziehen.
3. Je nach gewünschter Ausrichtung das andere Ende des Montagestabes in die Öffnung des Montagefußes für eine vertikale oder für eine horizontale Montage stecken.
4. Eine weitere Schraube durch die Bohrung des Montagefußes schieben und auf der anderen Seite die Mutter aufsetzen. Die Schraubverbindung handfest anziehen.

Die Unterseite des Montagefußes auf das Holzelement setzen und mit 4 geeigneten Holzschrauben anschrauben.

Montage an einem vertikal oder horizontal ausgerichteten Rohr

5. Die Schritte 1 bis 4 wie zuvor ausführen.
6. Die Unterseite des Montagefußes auf das Rohr aufsetzen und die Rohrschelle von der anderen Seite gegen das Rohr drücken.
7. Die 4 Schrauben durch die Bohrungen des Montagefußes und auf der anderen Seite durch die Bohrungen der Rohrschelle stecken.
8. Die 4 Muttern aufsetzen und die Schraubverbindungen handfest anziehen.

12 Signalübertragung

Die Basisstation verbindet sich automatisch mit dem Außensensor. Bei einem Batteriewechsel muss die Verbindung manuell durchgeführt werden. Dazu die [SENSOR]-Taste an der Basis drücken und danach mit einem spitzen Gegenstand die [RESET]-Taste am Sensor drücken, um manuell nach dem Sensor zu suchen. Bei erfolgreicher Verbindung wird der Indikator für die Sensor-Signalstärke auf dem Display angezeigt.

Verbindungsstatus-Anzeige:

Verbindungsstatus	Displayanzeige
Gutes Signal	Empfangssymbol
Sensor wird gesucht	Empfangssymbol blinkt
Kein Signal seit 48 Stunden	„Er“ (Error) wird angezeigt
Sensor Batteriestand niedrig, gutes Signal	Batterie-Symbol wird angezeigt

13 Automatische Zeiteinstellung

Nachdem die Stromversorgung hergestellt wurde, sucht das Gerät automatisch nach dem Funksignal. Es dauert etwa 3-8 Minuten bis dieser Prozess abgeschlossen ist.

Bei korrektem Empfang des Funksignals werden Datum und Uhrzeit automatisch eingestellt und das Empfangssymbol wird angezeigt.

HINWEIS! Während des Funksignalempfangs wird die Hintergrundbeleuchtung in den gedimmten Modus versetzt und bei abgeschlossenem Signalempfang wieder in den normalen Modus zurückversetzt.

Wird kein Funksignal empfangen, folgendermaßen vorgehen:

1. RCC-Taste am Basisgerät ca. 8 Sekunden drücken, um den Empfang des Funksignals zu deaktivieren (In der Anzeige erscheint „OFF“).
2. RCC-Taste am Basisgerät ca. 8 Sekunden drücken, um den Empfang des Funksignals zu aktivieren (In der Anzeige erscheint „ON“). Der Empfang wird nun erneut initialisiert.
3. Wird weiterhin kein Funksignal empfangen, muss die Zeiteinstellung manuell vorgenommen werden.

14 Manuelle Zeiteinstellung

Um Uhrzeit/Datum manuell einzustellen, deaktivieren Sie zunächst den Empfang des Zeitsignals, indem Sie etwa 8 Sekunden die RCC-Taste drücken.

1. CLOCK-SET-Taste ca. 3 Sekunden drücken um in den Zeiteinstellungsmodus zu gelangen.
2. Die einzustellenden Ziffern blinken.
3. UP- oder DOWN-Taste drücken, um den Wert zu verändern.

-
4. CLOCK-SET-Taste drücken, um die Eingabe zu bestätigen und zur nächsten Einstellung zu wechseln.
 5. Reihenfolge der Einstellungen: 12-/24-Stunden-Modus > Stunden > Minuten > Sekunden > Jahr > Monat > Tag > Zeitversatz > Sprache > Sommerzeit autom./aus (Auto/off)
 6. CLOCK-SET-Taste abschließend drücken, um Einstellungen zu speichern und den Einstellungsmodus zu verlassen.

15 Zeitzone einstellen

Um eine abweichende Zeitzone einzustellen, folgendermaßen vorgehen:

1. CLOCK-SET-Taste ca. 3 Sekunden drücken um in den Zeiteinstellungsmodus zu gelangen.
2. CLOCK-SET -Taste mehrmals drücken bis im Display die Einstellung für den Zeitversatz 00 Hr (Time offset) angezeigt wird.
3. UP- oder DOWN-Taste drücken, um die gewünschte Zeitabweichung in Stunden (-23 bis +23 Stunden) zu wählen.
4. CLOCK-SET-Taste ca.3 Sekunden drücken, um die eingestellte Zeitabweichung zu bestätigen.

16 Sommerzeit (DST) einstellen

Um eine abweichende Zeitzone einzustellen, folgendermaßen vorgehen:

1. TIME-Taste ca. 3 Sekunden drücken um in den Zeiteinstellungsmodus zu gelangen.
2. TIME-Taste mehrmals drücken, bis im Display die Einstellung für die Sommerzeit (DST) blinkt.
3. UP- oder DOWN-Taste drücken, um die zwischen AUTO (Sommerzeit ein) und OFF (Sommerzeit aus) zu wählen.
4. TIME-Taste ca.3 Sekunden drücken, um die Einstellung zu bestätigen.

17 Weckrufeinstellung

Wecker (und Frostwarnung) ein-/ausschalten

1. Drücken Sie die ALARM-Taste, um die Weckzeit anzuzeigen
2. Drücken Sie die ALARM-Taste erneut, um die Weckzeit zu aktivieren.
3. Drücken Sie die ALARM-Taste ein weiteres mal, um die Weckzeit mit Frostwarnung zu aktivieren.
4. Mit aktivierter Frostwarnung ertönt der Alarm 30 Minuten früher, wenn die Außentemperatur unter -3° C fällt.
5. Um Wecker und Frostwarnung zu deaktivieren, drücken Sie die ALARM-Taste so oft, bis die Alarm-Symbole nicht mehr angezeigt werden.

Weckzeit einstellen

6. ALARM-Taste ca. 2 Sekunden drücken um in den Weckzeiteinstellungsmodus zu gelangen.
7. Die einzustellenden Ziffern blinken.
8. UP- oder DOWN-Taste drücken, um den Wert zu verändern.
9. ALARM-Taste drücken, um die Eingabe zu bestätigen und zur nächsten Einstellung zu wechseln.
10. Reihenfolge der Einstellungen: Stunden > Minuten
11. ALARM-Taste abschließend drücken, um Einstellungen zu speichern und den Einstellungsmodus zu verlassen.

18 Schlummerfunktion

1. Bei Ertönen des Weckrufs die ALARM/SNOOZE-Taste drücken, um die Schlummerfunktion zu aktivieren. Weckruf ertönt erneut nach 5 Minuten.
2. Beim Ertönen des Weckrufs ALARM- Taste drücken oder ALARM/SNOOZE- Taste für ca. 3 Sekunden drücken. um den Weckruf bis zum erneuten Erreichen der eingestellten Weckzeit auszu- setzen.
3. Wird keine Taste gedrückt, schaltet sich der Weckruf automatisch nach 2 Minuten ab.

19 Automatische Messwerteübertragung

Sobald die Stromversorgung hergestellt wurde, beginnt die Basisstation mit der Anzeige der Messwerte für den Innenbereich. Die ersten vom Außensensor empfangenen Messwerte werden innerhalb von etwa 3 Minuten nach Inbetriebnahme angezeigt.

Wird kein Signal empfangen, folgendermaßen vorgehen:

SENSOR-Taste ca. 2 Sekunden drücken, um den Empfang der Messwerte erneut zu initiieren.

20 Niederschlag

Die Basisstation zeigt die Niederschlagsmenge in Millimeter oder Inch an, die über einen bestimmten Zeitraum angesammelt wurde, basierend auf der aktuellen Niederschlagsrate.

RAINFALL HI AL DAILY WEEKLY MONTHLY 88.28 mm	RAINFALL HI AL DAILY WEEKLY MONTHLY 820.6 mm	RAINFALL HI AL DAILY WEEKLY MONTHLY 86.12 mm	RAINFALL HI AL DAILY WEEKLY MONTHLY 122.5 mm
Rainfall rate	Daily rainfall	Weekly rainfall	Monthly rainfall

Anzeige-Modus wählen

Drücken Sie die RAIN-Taste mehrmals bis der gewünschte Zeitraum auf dem Display angezeigt wird:

RATE	Gegenwärtiger Niederschlag der letzten Stunde
DAILY	Gesamter Niederschlag des aktuellen Tages, gemessen ab Mitternacht
WEEKLY	Gesamter Niederschlag der aktuellen Woche
MONTHLY	Gesamter Niederschlag des aktuellen Monats

Maßeinheit wählen (Millimeter oder Inch)

1. Die RAIN-Taste ca. 3 Sekunden drücken, um in die Einstellung für die Einheit zu gelangen.
2. Die UP- oder DOWN-Taste drücken, um zwischen mm (Millimeter) und in (Inch) zu wechseln.
3. RAIN-Taste abschließend drücken, um die Einstellungen zu speichern und den Einstellungsmodus zu verlassen.

HINWEIS! Die Messwerte werden alle 6 Minuten automatisch aktualisiert.

21 Höchst-/Tiefstwert-Alarm

Mit dem Höchst-/Tiefstwert-Alarm (HI/LO) AL) können Sie sich über veränderte Wetterbedingungen informieren. Einmal aktiviert, ertönt ein Alarmsignal und die Signalleuchte blinkt, sobald ein eingestellter Wert erreicht wird. Unterstützte Bereiche und Alarmtypen:

Bereich	Verfügbarer Alarm-Typ
Innentemperatur	HI AL / LO AL
Luftfeuchtigkeit (innen)	HI AL / LO AL

Außentemperatur	HI AL / LO AL
Luftfeuchtigkeit (außen)	HI AL / LO AL
Niederschlag (täglich)	HI AL*
Windgeschwindigkeit	HI AL

HI AL = Höchstwert-Alarm / LO AL = Tiefstwert-Alarm

*Niederschlag des aktuellen Tages seit Mitternacht

Höchst-/Tiefstwert-Alarm einstellen

1. ALERT-Taste drücken bis der gewünschte Bereich angezeigt wird.
2. UP- oder DOWN-Taste drücken, um den Wert zu verändern.
3. ALERT-Taste drücken, um die Eingabe zu bestätigen und zur nächsten Einstellung zu wechseln.

Höchst-Tiefstwert-Alarm ein-/ausschalten

4. ALERT-Taste drücken bis der gewünschte Bereich angezeigt wird.
5. ALARM-Taste drücken, um den Alarm zu aktivieren.
6. ALERT-Taste drücken, um die Eingabe zu bestätigen und zur nächsten Einstellung zu wechseln.

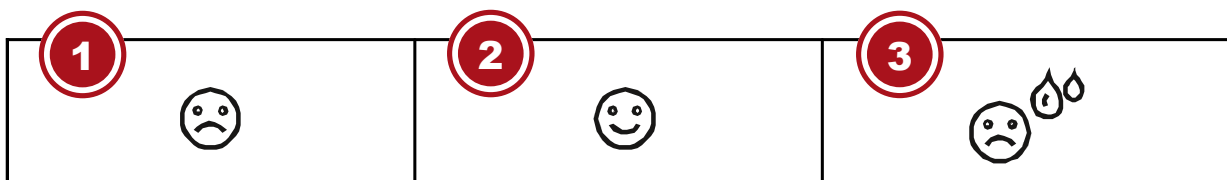
Hinweis:

7. Die Basisstation schließt den Einstellungsmodus automatisch, wenn 5 Sekunden lang keine Taste betätigt wurde.
8. Bei der Alarmauslösung blinkt die Anzeige des Bereichs, für den der Alarm ausgelöst wurde, und der Alarm ertönt für etwa 2 Minuten.
9. Beim Ertönen des Alarms können Sie die SNOOZE/LIGHT-Taste drücken, um den Weckalarm zu unterbrechen. Der Alarm ertönt dann nach 2 Minuten erneut.

Datenbereinigung

10. HISTORY-Taste für ca. 3 Sekunden drücken.
11. UP- oder DOWN-Taste drücken, um YES oder NO auszuwählen.
12. HISTORY-Taste drücken, um die Eingabe zu bestätigen. Damit werden die bisher aufgezeichneten Niederschlagsdaten gelöscht.

22 Klimaindikator (innen)



1 Zu kalt

2 Optimal

3 Zu warm

Der Klimaindikator ist eine bildliche Anzeige, die auf der Innenlufttemperatur und -luftfeuchtigkeit basiert, um das Komfortniveau zu bestimmen.

Hinweis:

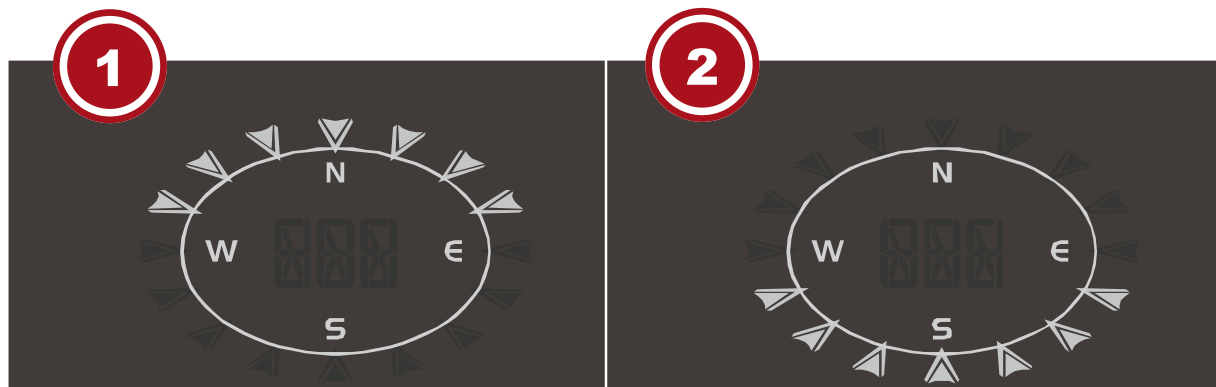
- Die Komfortanzeige kann bei gleicher Temperatur unterschiedlich ausfallen, abhängig von der Luftfeuchtigkeit.
- Es gibt keine Komfortanzeige, wenn die Temperatur unter 0 ° C oder über 60 ° C liegt.

23 Datenbereinigung

Während der Einrichtung des Außensensors kann der Sensor möglicherweise ausgelöst werden. Dies kann fehlerhafte Messwerte für Niederschlag und Wind zur Folge haben. In diesem Fall sollten Sie die fehlerhaften Werte löschen. Dafür müssen Sie aber keinen Reset durchführen und die Verbindung erneut herstellen. Halten Sie einfach die HISTORY-Taste etwa 10 Sekunden gedrückt. Damit werden alle bisherigen Messdaten gelöscht.

24 Süd-Ausrichtung des Sensors

Der Außensensor ist standardmäßig auf die Nord-Ausrichtung eingestellt. Manche Benutzer wünschen eine südliche Pfeilausrichtung, wenn Sie beispielsweise auf der südlichen Halbkugel leben (z.B. in Australien oder Neuseeland).



1 Nördliche Halbkugel

2 Südliche Halbkugel

1. Installieren Sie den Außensensor so, dass der oberhalb aufgedruckte Pfeil in Richtung Süden zeigt. Verfahren Sie sonst wie im Absatz „Montage“ beschrieben).
2. Halten Sie die WIND-Taste etwa 8 Sekunden gedrückt bis die Pfeile im oberen Teil der Windrose (nördliche Halbkugel) blinken.
3. Drücken Sie die UP- oder DOWN-Taste, um die Pfeilausrichtung umzukehren (südliche Halbkugel).
4. Drücken Sie die WIND-Taste um zu bestätigen.

Hinweis:

Mit dem Ändern der Himmelsausrichtung erfolgt automatisch auch die umgekehrte Einstellung der Mondphasen.

25 Mondphasen

Im Bereich der nördlichen Halbkugel wächst der Mond von rechts an. Dies ist so, weil die von der Sonne angestrahlte Seite des Mondes auf der Nordhalbkugel von rechts nach links wandert. Auf der Südhalbkugel hingegen wandert diese von links nach rechts. In den beiden nachfolgenden Tabellen sind die Darstellungen der Mondphasen dargestellt.

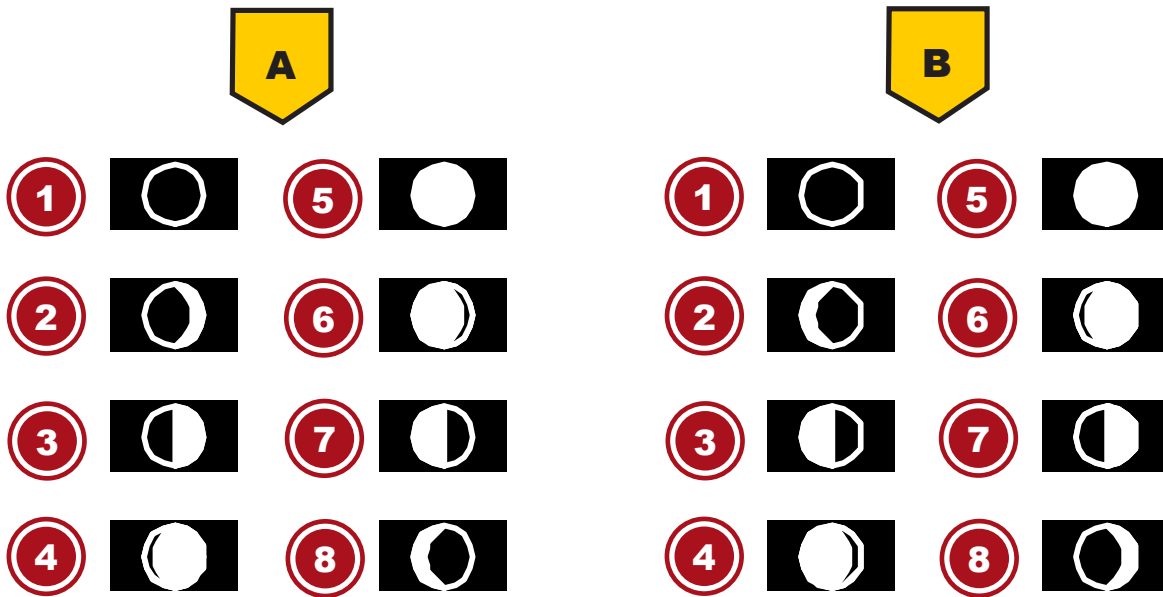
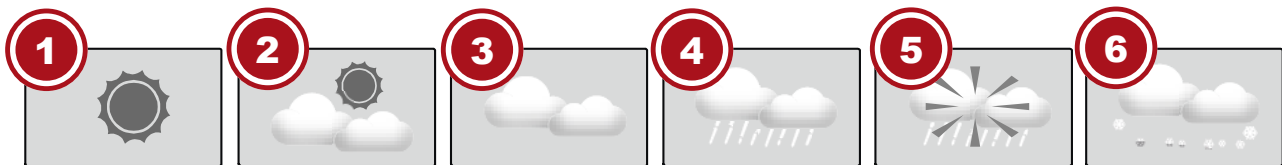


Abb. 3: (A) Nördliche Halbkugel, (B) Südliche Halbkugel

1 Neumond	2 Zunehmender Sichelmond
3 Erstes Viertel	4 Zunehmender Mond
5 Vollmond	6 Abnehmender Mond
7 Letztes Viertel	8 Abnehmender Sichelmond

26 Wettertrend

Aus den gemessenen Werten wird ein Wettertrend für die nächsten 12-24 Stunden errechnet und folgendermaßen grafisch dargestellt:



1 Sonnig	2 Teilweise bewölkt
3 Bewölkt	4 Regen
5 Regen/Stürmisch	6 Schnee

Hinweis:

- Die Genauigkeit einer druckbasierten Wettervorhersage liegt bei etwa 70% bis 75%.
- Die Wettervorhersage ist für die nächsten 12 Stunden gedacht, sie muss nicht unbedingt die aktuelle Situation widerspiegeln.
- Die Schneewettervorhersage basiert nicht auf dem Luftdruck, sondern auf der Außentemperatur. Wenn die Außentemperatur unter -3°C (26°F) liegt, wird das Schnee Symbol im LCD-Display angezeigt.

27 Barometrischer / Atmosphärischer Luftdruck

Der atmosphärische Druck (nachfolgend „Luftdruck“ genannt) ist der Druck an jedem Ort der Erde, der durch das Gewicht der Luftschicht darüber begründet ist. Der Luftdruck steht im Verhältnis zum durchschnittlichen Druck und fällt mit steigender Höhe allmählich ab. Meteorologen benutzen Barometer zur Messung des Luftdrucks. Weil das Wetter in hohem Maße von der Veränderung des Luftdrucks abhängt, ist es möglich aus den gemessenen Luftdruckveränderungen eine Wetterprognose zu erstellen.

Im normalen Anzeigemodus die BARO-Taste mehrmals drücken, um die gewünschte Maßeinheit anzuzeigen (hPa, inHg oder mmHg).



Relativen atmosphärischen Druck einstellen

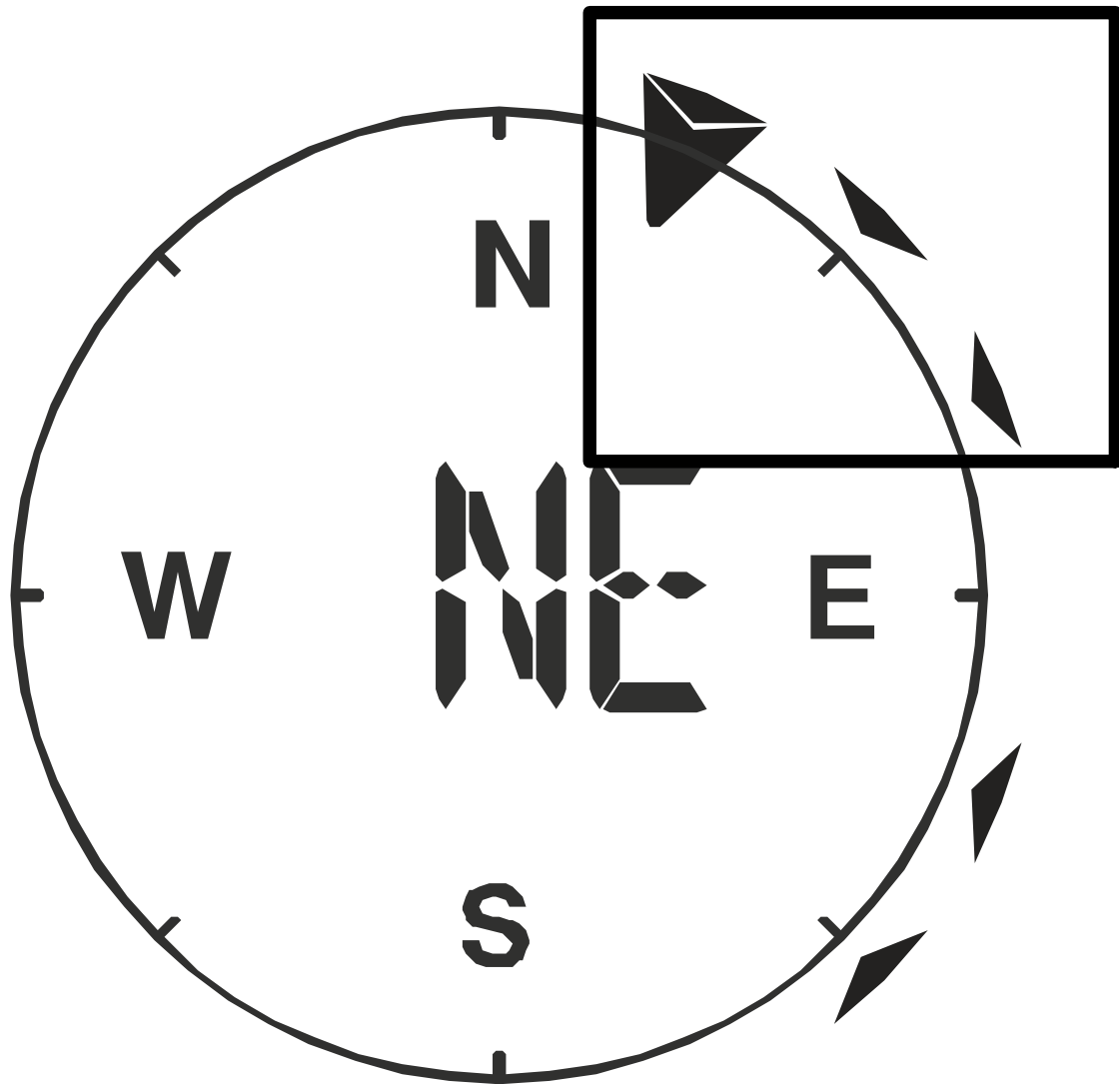
1. Den Wert für den relativen Luftdruck an Ihrem Standort (oder möglichst nah dazu) über den lokalen Wetterdienst, das Internet oder andere Quellen in Erfahrung bringen.
2. Die BARO-Taste ca. 3 Sekunden drücken bis ABS oder REL blinkt.
3. Die UP- oder DOWN-Taste drücken bis REL blinkt.
4. Die BARO-Taste drücken, um zum nächsten Einstellungswert zu gelangen.
5. Die UP- oder DOWN-Taste drücken, um den REL-Wert zu ändern (entsprechend dem recherchierten Wert).
6. Die BARO-Taste abschließend drücken, um die Einstellungen zu speichern und den Einstellungsmodus zu verlassen.

- **HINWEIS! ABS: Absoluter Luftdruck an Ihrem gegenwärtigen Standort**
- **HINWEIS! REL: Relativer Luftdruck, basierend auf der Meereshöhe (N.N.)**
- **HINWEIS! Der voreingestellte Wert für den relativen Luftdruck beträgt 1013 mbar/hPa (29.91 inHg), der im Verhältnis zum Durchschnittswert für den Luftdruck steht.**
- **HINWEIS! Wird der Wert für den relativen Luftdruck geändert, ändern sich hierdurch auch die Wetteranzeigen.**
- **HINWEIS! Der eingebaute Barometer registriert umgebungsbedingte Veränderungen des absoluten Luftdrucks. Basierend auf den gesammelten Daten kann so eine Prognose für die Wetterbedingungen in den kommenden 12 Stunden erstellt werden. Hierzu wechseln die Wetterindikatoren entsprechend dem ermittelten absoluten Luftdruck bereits nach einer Stunde Betriebszeit.**
- **HINWEIS! Der relative Luftdruck basiert auf dem Meeresspiegel, jedoch ändert auch er sich mit Veränderungen des absoluten Luftdrucks nach einer Stunde Betriebszeit.**

28 Windgeschwindigkeit und -richtung

Windrichtung ablesen

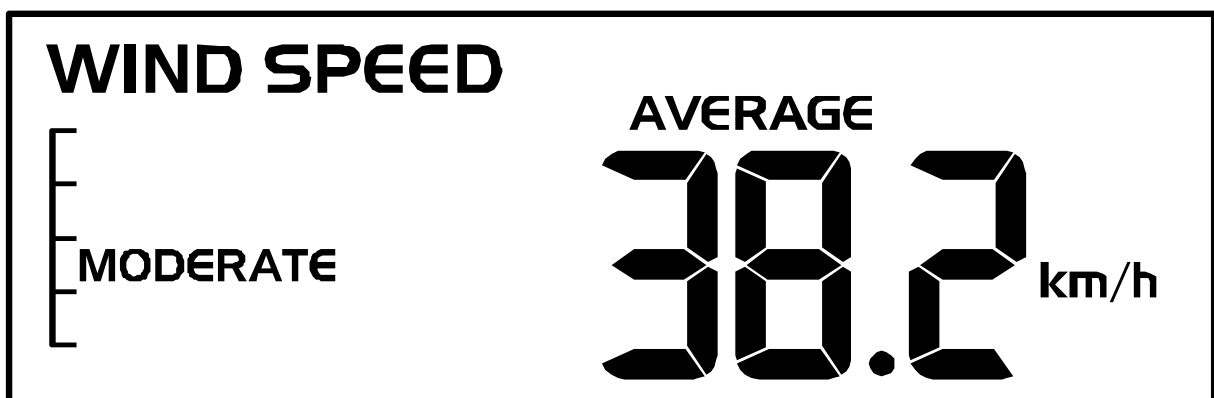
Anzeige Windrichtung	Bedeutung
	Aktuelle Windgeschwindigkeit
	Windrichtungen der letzten 5 Minuten (max. 6)



Anzeige-Modus wählen

Drücken Sie die WIND-Taste mehrmals bis die gewünschte Rate auf dem Display angezeigt wird:

- **AVERAGE:** Durchschnittliche Windgeschwindigkeit, errechnet aus allen Geschwindigkeiten der letzten 30 Sekunden
- **GUST:** Stärkste Windböe seit der letzten Aufzeichnung



Eine schnelle Übersicht über die gegenwärtigen Windbedingungen wird durch folgende Textinformationen dargestellt:

Windbedingung	Leicht (LIGHT)	Mäßig (MODERATE)	Stark (STRONG)	Stürmisch (STORM)
Geschwindigkeit	1 – 19 km/h	20 – 49 km/h	50 – 88 km/h	> 88 km/h

Maßeinheit für die Windgeschwindigkeit wählen

1. WIND-Taste für ca. 3 Sekunden drücken um in den Einstellungsmodus zu gelangen.
2. UP- oder DOWN-Taste drücken um mph (Meilen pro Stunde), m/s (Meter pro Stunde), km/h (Kilometer pro Stunde) oder knots (Knoten) zu wählen.
3. WIND-Taste drücken um die Einstellung zu speichern und den Einstellungsmodus zu verlassen.

29 Beaufort-Skala

Die Beaufort-Skala ist eine internationale Skala zur Klassifizierung der Windgeschwindigkeit von 0 (windstill) bis 12 (Orkan-Stärke).

Beaufort-Nummer	Beschreibung	Geschwindigkeit
0	windstill	< 1 km/h < 1 mph < 1 knots < 0.3 m/s
1	leichter Zug	1.1-5.5 km/h 1-3 mph 1-3 knots 0.3-1.5 m/s
2	leichte Brise	5.6-11 km/h 4-7 mph 1-3 knots 0.3-1.5 m/s
3	schwache Brise	12-19 km/h 8-12 mph 7-10 knots 3.5-5.4 m/s
4	mäßige Brise	20-28 km/h 13-17 mph 11-16 knots 5.5-7.9 m/s
5	frische Brise	29-38 km/h 18-24 mph 17-21 knots 8.0-10.7 m/s
6	starker Wind	39-49 km/h 25-30 mph 22-27 knots 10.8-13.8 m/s
7	steifer Wind	50-61 km/h 31-38 mph 28-33 knots 13.9-17.1 m/s
8	stürmischer Wind	62-74 km/h 39-46 mph 34-40 knots 17.2-20.7 m/s
9	Sturm	75-88 km/h 47-54 mph 41-47 knots 20.8-24.4 m/s
10	schwerer Sturm	89-102 km/h 55-63 mph 48-55 knots 24.5-28.4 m/s
11	orkanartiger Sturm	103-117 km/h 64-73 mph 56-63 knots 28.5-32.6 m/s
12	Orkan	> 118 > 74 mph > 64 knots 32.7 m/s

30 Windkühlfaktor

Drücken Sie die INDEX-Taste mehrmals bis WIND CHILL (Windkühle) auf dem Display angezeigt wird.

Hinweis:

Der Windkühlfaktor basiert auf den gemeinsamen Auswirkungen von Temperatur und Windgeschwindigkeit. Die angezeigte Windkühle wird ausschließlich aus Temperatur und Windgeschwindigkeit berechnet und vom Außensensor gemessen.

31 Temperaturanzeige

Den °C/°F-Schalter bewegen, um zwischen der Temperaturanzeige in °C oder °F zu wechseln.

Bei Erreichen von Temperaturen von -40° C oder darunter wird für den jeweiligen Bereich die Information „LO“ ausgegeben, bei Temperaturen von über 70° C oder darüber wird die Information „HI“ ausgegeben. Der messbare Temperaturbereich wurde unter- bzw. überschritten.

Bei Rückkehr in einen messbaren Temperaturbereich wird die entsprechende Temperatur wieder angezeigt.

32 Gefühlte Temperatur

Drücken Sie die INDEX-Taste mehrmals bis FEELS LIKE (gefühlte) auf dem Display angezeigt wird.

Hinweis:

Die gefühlte Temperatur gibt den Temperaturwert entsprechend dem persönlichen Temperaturempfinden an.

33 Hitzeindex

Drücken Sie die INDEX-Taste mehrmals bis HEAT INDEX (Hitzeindex) auf dem Display angezeigt wird.

Hitzeindex	Warnung	Bedeutung
> 55° C (> 130° F)	Extreme Gefahr	Extremes Risiko einer Dehydration/eines Hitzeschlags
41° C – 54° C (106° F – 129° F)	Gefahr	Hitzekollaps wahrscheinlich
33° C – 40° C (91° F – 105° F)	Erhöhte Vorsicht	Gefahr einer Dehydration
27° C – 32° C (80° F – 90° F)	Vorsicht	Gefahr eines Hitzekollaps

Hinweis:

Die gefühlte Temperatur basiert auf den gemeinsamen Auswirkungen von Temperatur und Luftfeuchtigkeit. Der Hitzeindex wird nur berechnet, wenn sich die Temperatur bei 27° (80° F) oder höher befindet. Die angezeigte gefühlte Temperatur wird ausschließlich aus Temperatur und Luftfeuchtigkeit berechnet und wird vom Außensensor gemessen.

34 Taupunkt

Drücken Sie die INDEX-Taste mehrmals bis DEW POINT (Taupunkt) auf dem Display angezeigt wird.

Hinweis:

Der Taupunkt ist die Temperatur unterhalb dessen Wasserdampf bei konstantem Luftdruck zu gleichen Teilen wie es verdampft ist wieder zu Wasser kondensiert. Kondensiertes Wasser wird Tau genannt, wenn es sich an einer festen Oberfläche bildet. Die Taupunkt-Temperatur wird aus der gemessenen Innentemperatur und -luftfeuchtigkeit berechnet.

35 Historie-Daten der letzten 24 Stunden

Die Basisstation zeichnet automatisch alle Messdaten der letzten 24 Stunden auf und zeigt diese an.

1. HISTORY-Taste drücken, um den historischen Verlauf der letzten Stunde zu überprüfen.
2. HISTORY-Taste mehrmals drücken, um den historischen Verlauf der Stunden 2,3,4,5 24 anzuzeigen.

36 MAX/MIN Wetterdaten

Die Basisstation speichert die MAX/MIN-Wetterdaten bis zum nächsten manuellen zurücksetzen. Um die Daten abzurufen:

1. MAX/MIN-Taste mehrmals drücken, um nacheinander die gespeicherten Werte anzuzeigen.
2. Reihenfolge der Anzeige: maximale Außentemperatur > minimale Außentemperatur > maximale Luftfeuchtigkeit (außen) > minimale Luftfeuchtigkeit (außen) > maximale Innentemperatur > minimale Innentemperatur > maximale Luftfeuchtigkeit (innen) > minimale Luftfeuchtigkeit (innen) > maximal gefühlte Außentemperatur (wind chill) > minimal gefühlte Außentemperatur (wind chill) > maximaler Hitzeindex > minimaler Hitzeindex > maximaler Taupunkt > minimaler Taupunkt > maximaler Luftdruck > minimaler Luftdruck > maximaler Durchschnitt > maximaler Windstoß > maximaler Niederschlag
3. MAX/MIN-Taste ca. 2 Sekunden drücken, um die gespeicherten Daten zu löschen.

37 Helligkeit der Displayanzeige regulieren

- Den **[HI/LO/AUTO]** Schalter verschieben, um die Helligkeit der Displayanzeige zu ändern. Die Helligkeit wird automatisch auf die nächste Stufe eingestellt. Reihenfolge der Helligkeitsstufen: hell **[HI]** > dunkel **[LO]** > automatisch **[AUTO]**
- **[AUTO]** passt die Helligkeit je nach Umgebung automatisch an.

38 Technische Daten

Basisstation

Stromversorgung	5V DC 600mA USB Netzstecker Backup: 1x CR2032
Temperatur-Maßeinheit	°C / °F
Zeitanzeige	HH:MM:SS / Wochentag
Zeitformate	12 oder 24 Stunden
Kalenderanzeige	TT/MM
Zeitsignal	DCF
Sommerzeit (DST)	AUTO / OFF
Maße	118 x 192.5 x 21 mm (B x H x T)
Gewicht (inkl. Batterien)	260 g

Multisensor

Batterien	3x AA, 1.5V
Maximale Anzahl der Sensoren	1x drahtloser Multisensor
RF Übertragungsfrequenz	868 Mhz
RF Übertragungreichweite	150 m
Maximale Sendeleistung	< 25mW
Temperatur-Messbereich	Von -40°C bis 60°C (von -40°F bis 140°F)

Barometer-Messbereich	Von 540 bis 1100hPa
Luftfeuchtigkeits-Messbereich	1 ~ 20% RH ± 6.5% RH @ 25°C (77°F) 21 ~ 80% RH ± 3.5% RH @ 25°C (77°F) 81 ~ 99% RH ± 6.5% RH @ 25°C (77°F)
Luftfeuchtigkeits-Auflösung	1% HR
Niederschlags-Messbereich	Von 0 bis 9999 mm (von 0 bis 393.7 inch)
Windgeschwindigkeits-Messbereich	Von 0 bis 112 mph, 50 m/s, 180km/h, 97 knots
Maße	343.5 x 393.5 x 136 mm (B x H x T)
Gewicht (inkl. Batterien)	673 g

39 EG-Konformitätserklärung



Eine „Konformitätserklärung“ in Übereinstimmung mit den anwendbaren Richtlinien und entsprechenden Normen ist von der Bresser GmbH erstellt worden. Der vollständige Text der EG-Konformitätserklärung ist unter der folgenden Internetadresse verfügbar: http://www.bresser.de/download/7002525/CE/7002525_7902525_7802525_CE.pdf

40 Garantie

Die reguläre Garantiezeit beträgt 5 Jahre und beginnt am Tag des Kaufs. Die vollständigen Garantiebedingungen und Serviceleistungen können Sie unter www.bresser.de/garantiebedingungen einsehen.

41 Entsorgung



Entsorgen Sie die Verpackungsmaterialien sortenrein. Informationen zur ordnungsgemäßen Entsorgung erhalten Sie beim kommunalen Entsorgungsdienstleister oder Umweltamt.



Werfen Sie Elektrogeräte nicht in den Hausmüll!

Gemäß der Europäischen Richtlinie 2012/19/EG über Elektro- und Elektronik-Altgeräte und deren Umsetzung in nationales Recht müssen verbrauchte Elektrogeräte getrennt gesammelt und einer umweltgerechten Wiederverwertung zugeführt werden.



Batterien und Akkus dürfen nicht im Hausmüll entsorgt werden. Sie sind zur Rückgabe gebrauchter Batterien und Akkus gesetzlich verpflichtet und können die Batterien nach Gebrauch entweder in unserer Verkaufsstelle oder in unmittelbarer Nähe (z.B. im Handel oder in kommunalen Sammelstellen) unentgeltlich zurückgeben.

Batterien und Akkus sind mit einer durchgekreuzten Mülltonne sowie dem chemischen Symbol des Schadstoffes bezeichnet, "Cd" steht für Cadmium, "Hg" steht für Quecksilber und "Pb" steht für Blei.



Cd¹



Hg²



Pb³

Service

DE AT CH BE

Bei Fragen zum Produkt und eventuellen Reklamationen nehmen Sie bitte zunächst mit dem Service-Center Kontakt auf, vorzugsweise per E-Mail.

E-Mail: service@bresser.de
Telefon*: +49 28 72 80 74 210

BRESSER GmbH
Kundenservice
Gutenbergstr. 2
46414 Rhede
Deutschland

*Lokale Rufnummer in Deutschland (Die Höhe der Gebühren je Telefonat ist abhängig vom Tarif Ihres Telefonanbieters); Anrufe aus dem Ausland sind mit höheren Kosten verbunden.

GB IE

Please contact the service centre first for any questions regarding the product or claims, preferably by e-mail.

e-mail: service@bresseruk.com
Telephone*: +44 1342 837 098

BRESSER UK Ltd
Customer Support
Suite 3G, Eden House
Enterprise Way
Edenbridge, Kent TN8 6HF
United Kingdom

*Number charged at local rates in the UK (the amount you will be charged per phone call will depend on the tariff of your phone provider); calls from abroad will involve higher costs.

FR BE

Si vous avez des questions concernant ce produit ou en cas de réclamations, veuillez prendre contact avec notre centre de services (de préférence via e-mail).

e-mail: sav@bresser.fr
Téléphone:** 00 800 6343 7000

BRESSER France SARL
Service après-vente
Pôle d'Activités de Nicopolis
314 Avenue des Chênes Verts
83170 Brignoles
France

**Prix d'un appel local depuis la France ou Belgique

NL BE

Als u met betrekking tot het product vragen of eventuele klachten heeft kunt u contact opnemen met het service centrum (bij voorkeur per e-mail).

e-mail: info@bresserbenelux.nl
Téléfono*: +31 528 23 24 76

BRESSER Benelux
Klantenservice
Smirnofstraat 8
7903 AX Hoogeveen
Nederland

*Het telefoonnummer wordt in het Nederland tegen lokaal tarief in rekening gebracht. Het bedrag dat u per gesprek in rekening gebracht zal worden, is afhankelijk van het tarief van uw telefoon provider; gesprekken vanuit het buitenland zullen hogere kosten met zich meebrengen.

ES PT

Si desea formular alguna pregunta sobre el producto o alguna eventual reclamación, le rogamos que se ponga en contacto con el centro de servicio técnico (de preferencia por e-mail).

e-mail: servicio.iberia@bresser-iberia.es
Téléfono*: +34 91 67972 69

BRESSER Iberia SLU
Servicio al Cliente
c/Valdemorillo,1 Nave B
P.I. Ventorro del cano
28925 Alcorcón Madrid
España

*Número local de España (el importe de cada llamada telefónica dependen de las tarifas de los distribuidores); Las llamadas des del extranjero están ligadas a costes suplementarios.

Bresser GmbH
Gutenbergstraße 2
46414 Rhede · Germany
www.bresser.de

    @BresserEurope

