

JOINON WALLBOX

I-CON BASIC

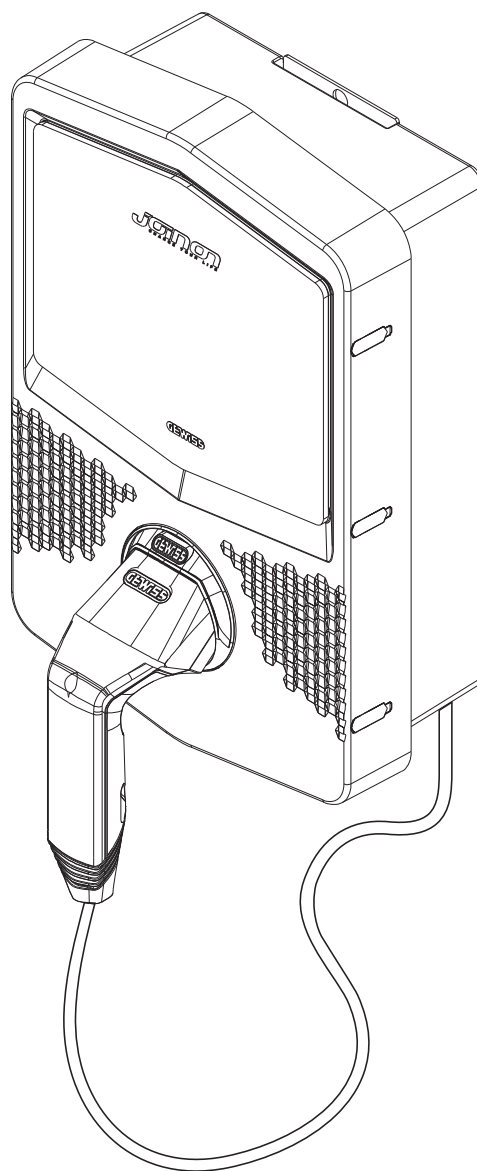
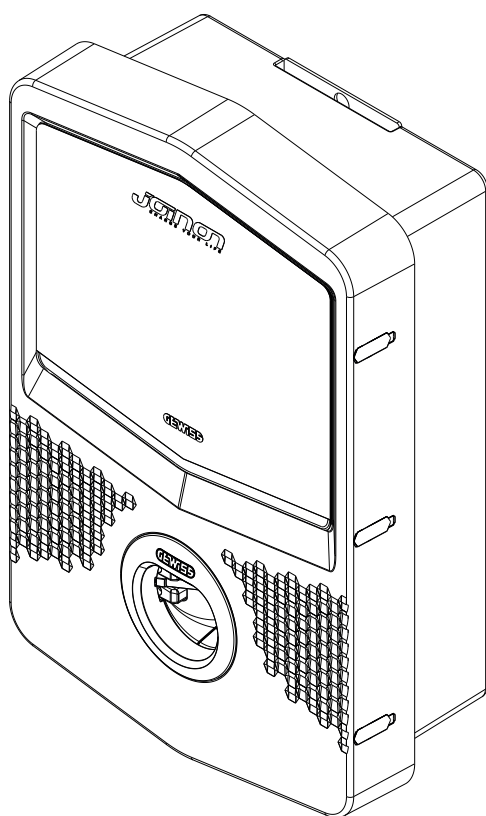
GEWISS

UNITÀ DI RICARICA VEICOLI ELETTRICI

JOINON WALLBOX I-CON BASIC - JOINON WALLBOX I-CON BASIC RECHARGING UNIT FOR ELECTRIC VEHICLES - UNITÉ DE RECHARGE DE VÉHICULES ÉLECTRIQUES JOINON WALLBOX I-CON BASIC - UNIDAD DE CARGA DE VEHÍCULOS ELÉCTRICOS JOINON WALLBOX I-CON BASIC - LADESTATION FÜR ELEKTROFAHRZEUGE JOINON WALLBOX I-CON BASIC - UNITATE DE REÎNCĂRCARE VEICULE ELECTRICE JOINON WALLBOX I-CON BASIC - JOINON WALLBOX I-CON BASIC ELEKTROMOS JÁRMŰ TÖLTŐEGYSÉG - OPLAADEENHEID VOOR ELEKTRISCHE VOERTUIGEN JOINON WALLBOX I-CON BASIC

IT EN FR ES DE RO HU NL

Manuale di utilizzo ed installazione - User and installation manual - Manuel d'installation et d'exploitation - Manual de uso e instalación - Installations- und Bedienungsanleitung - Manual de instalare și instalare - Használati és telepítési útmutató - Gebruiks- en installatiehandleiding



CONTENTS**1. INFORMATION ABOUT THIS MANUAL**

- 1.1. Field of application
- 1.2. Intended users
- 1.3. Symbols

2. REGULATORY ASPECTS

- 2.1. Fulfilment of regulations
- 2.2. Degree of protection
- 2.3. Pollution rating
- 2.4. Current socket-outlets

3. SAFETY FUNCTION

- 3.1. Safety conditions
- 3.2. Personal protective equipment (PPE)

4. DEVICE DELIVERY AND STORAGE

- 4.1. Delivery
- 4.2. Device identification
- 4.3. Damage during transport
- 4.4. Storage

5. DEVICE HANDLING

- 5.1. Transport
- 5.2. Packaging removal

6. PREPARATION FOR DEVICE INSTALLATION

- 6.1. Environment
- 6.2. Environmental conditions
- 6.3. Support and fastening surface
- 6.4. Opening the casing
- 6.5. CLOSING the casing

7. DEVICE INSTALLATION AND CONNECTION

- 7.1. General installation requirements
- 7.2. BASIC JOINON WALLBOX I-CON
 - 7.2.1. Device installation
 - 7.2.2. Connection of the device power supply

8. OPERATION AND CHARACTERISTICS

- 8.1. AUTOSTART
- 8.2. RFID
- 8.3. CLOUD OCPP

9. STATUS INDICATORS

10. CHARGING PROCESS

10.1. AUTOSTART

10.2. PARKING

10.3. CLOUD PARKING

11. FAULTS AND TROUBLESHOOTING

12. UPDATING THE FIRMWARE

13. MODIFYING THE OPERATING PARAMETERS OF THE RECHARGING STATION

14. DISCONNECTING FROM THE MAINS SUPPLY

15. PREVENTIVE MAINTENANCE

15.1. RESIDUAL CURRENT DEVICES

1.

INFORMATION ABOUT THIS MANUAL

This manual describes the JOINON I-CON electrical vehicle recharging station and provides the necessary information for correct delivery, installation, start-up, maintenance and operation.

1.1 FIELD OF APPLICATION

This manual applies for the following charging stations:

- **GWJ3001A** – WB ICON AUTOSTART 4kW T2S IP55
- **GWJ3002A** – WB ICON AUTOSTART 7kW T2S IP55
- **GWJ3003A** – WB ICON AUTOSTART 11kW T2S IP55
- **GWJ3004A** – WB ICON AUTOSTART 22kW T2S IP55
- **GWJ3011A** – WB ICON AUTOSTART 4kW T2C IP55
- **GWJ3012A** – WB ICON AUTOSTART 7kW T2C IP55
- **GWJ3013A** – WB ICON AUTOSTART 11kW T2C IP55
- **GWJ3014A** – WB ICON AUTOSTART 22kW T2C IP55
- **GWJ3002R** – WB ICON RFID 7kW T2S IP55
- **GWJ3004R** – WB ICON RFID 22kW T2S IP55
- **GWJ3012R** – WB ICON RFID 7kW T2C IP55
- **GWJ3014R** – WB ICON RFID 22kW T2C IP55
- **GWJ3002L** – WB ICON RFID 7kW T2S IP55 - ETH
- **GWJ3004L** – WB ICON RFID 22kW T2S IP55 - ETH
- **GWJ3012L** – WB ICON RFID 7kW T2C IP55 - ETH
- **GWJ3014L** – WB ICON RFID 22kW T2C IP55 - ETH
- **GWJ3002W** – WB ICON RFID 7kW T2S IP55 - 4G
- **GWJ3004W** – WB ICON RFID 22kW T2S IP55 - 4G
- **GWJ3012W** – WB ICON RFID 7kW T2C IP55 - 4G
- **GWJ3014W** – WB ICON RFID 22kW T2C IP55 - 4G

1.2 INTENDED USERS

This document is intended for qualified personnel.

When this manual refers to qualified personnel, this means personnel complying with all the standards, directives and laws concerning safety, as applicable to the installation and operation of this device.

It is recommended to have this device installed by a professional installer.

1.3 SYMBOLS

This manual uses various symbols to stress and highlight certain information.

Their general meaning is indicated below.



General caution



Electric risk



Prohibition



General information



Refer to the indicated section

2.

REGULATORY ASPECTS

2.1 FULFILMENT OF REGULATIONS

CE marking

CE marking is essential for marketing the products in question within the European Union and the European Economic Area. The charging stations have CE marking as they comply with the following directives:

- *Low Voltage Directive 2014/35/EU*
- *Electromagnetic Compatibility directive 2014/30/EU*
- *RED directive 2014/53/EU (version with RFID and/or GSM)*

Low Voltage directive

The recharging stations comply with this directive as they fulfil the applicable parts of the harmonised standard *EN 61851-1 Electric vehicle conductive charging system - Part 1: General requirements*

Electromagnetic Compatibility directive

The charging stations comply with this directive, as they fulfil the applicable parts of the harmonised standards:

- *IEC 61851-21-2 Electric vehicle conductive charging system - Part 21-2: Electric vehicle requirements for conductive connection to an AC/DC supply - EMC requirements for off board electric vehicle charging systems*
- *EN 61000-6-1 Electromagnetic compatibility. Part 6-1: Generic standards - Immunity for residential, commercial and light-industrial environments*
- *EN 61000-6-3 Electromagnetic compatibility. Part 6-3: Generic standards - Emissions for residential, commercial and light-industrial environments*

RED directive

The charging stations comply with this directive, as they fulfil the applicable parts of the harmonised standards:

- *ETSI EN 300 330V 2.1.1*
- *ETSI EN 301 511 V 12.1.10 (GSM)*

Fulfilment with this standard requires compliance with the requirements and procedures of the other standards in the same series.

2.2. DEGREE OF PROTECTION

These charging stations have an IP55 degree of protection against external agents.

This device is designed for indoor and outdoor use.

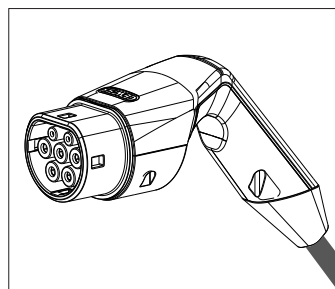
2.3. POLLUTION RATING

The pollution degree that these stations are designed for is level 3 with reference to Standard IEC 60664-1.

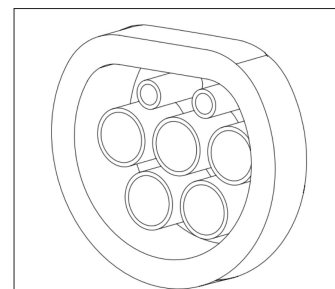
2.4. CURRENT SOCKET-OUTLETS

The charging stations can be supplied with various connector configurations, depending on the customer's requirements.

The following connectors are available:



IEC 62196-2 Type 2 - cable + mobile connector



IEC 62196-2 Type 2 - flush-mounting version

3.

SAFETY FUNCTION

This section describes the safety warnings and the personal protective equipment.

3.1. SAFETY CONDITIONS

General warnings



The operations described in this manual may only be performed by duly qualified personnel.
 When this manual refers to qualified personnel, this means personnel complying with all the standards, directives and laws concerning safety, as applicable to the installation and operation of this device.
 The selection of qualified personnel is always the responsibility of the company that carries out the work, which is the only party that can decide whether a worker is capable of doing a certain job, thereby ensuring their safety and respecting the applicable law with regards safety in the workplace.
 These companies must provide suitable training regarding the electrical devices for their personnel, and make sure they become familiar with the content of this manual.



It is mandatory to comply with the applicable safety laws relating to electrical work. There is the risk of possible electrical shock.
 Risk of electric shock.
 Compliance with the safety instructions provided in this manual or by the legislation indicated does not imply exemption from compliance with other specific standards regarding the installation, location, country or other circumstances that concern the device.



The opening of the casing does not imply the absence of voltage inside.
 Interventions must only be carried out once the voltage supply to the system has been cut off using a device that can guarantee insulation.
 It may only be opened by qualified personnel, following the instructions given in this manual.



It is mandatory to read and understand all parts of this manual before starting to handle, install or use the unit.



Gewiss disclaims all liability for any damage caused by inappropriate use of the charging stations. Any operation carried out on these charging stations that involves a change to the original electrical settings must be authorised by Gewiss beforehand. All such proposals must be examined and approved by Gewiss.



Before carrying out any interventions, cut off the voltage supply to the system using a device that can guarantee insulation. As the minimum safety measure for this operation, observe the following rules:

1. Cut off the voltage supply.
2. Prevent the reactivation of the power supply.
3. Check there is no voltage.
4. Protect yourself against energised elements nearby, and place safety signals to mark off the work area if necessary.

Until these steps have been applied, the product must be considered powered; no interventions are therefore authorised.

Potential hazards for people

In order to protect your own safety, observe the following warnings.



HAZARD: crushing and injury of limbs.
 Always follow the instructions supplied in the manual for device handling and positioning.
 The weight of the device can cause injuries if not handled correctly.

Potential hazards for the device

In order to protect the device, observe the following warnings.



Before reconnecting the voltage supply after any duly authorised operation, make sure the device is ready to start working. Then, connect it following the instructions in the manual.



Do not touch the boards or the electronic components; the more sensitive components may get damaged or be destroyed by static electricity.

Do not disconnect or connect any terminal while the device is operating. Disconnect and check for the absence of voltage before performing any operation.

3.2. PERSONAL PROTECTIVE EQUIPMENT (PPE)

When working on the device, use at least the following items of safety equipment.

Name	Explanation
Safety footwear	In accordance with <i>UNE-EN-ISO 20345:2012</i> or the latest edition published
Helmet	In accordance with <i>EN 397:1995</i> or the latest edition published
Helmet with a face mask	In accordance with <i>UNE-EN 166:2002</i> or the latest edition published, if there are live elements that can be directly accessed.
Work garments	Close-fitting and non-flammable, in 100% cotton
Dielectric gloves	In accordance with <i>EN 60903:2005</i> or the latest edition published

The equipment or devices used for operations with the system energised must have at least category III-1000 Volt insulation. If the regulations in the location of installation require other types of personal protective equipment, the equipment must be integrated in a suitable manner.

4.

DEVICE DELIVERY AND STORAGE

4.1. DELIVERY

Keep the device packaged until installation.

4.2. DEVICE IDENTIFICATION

The serial number of the device identifies it in an unequivocal manner. In any communication with Gewiss, reference must be made to this number.

The device serial number is indicated with a data matrix on the technical data label (on the side of the front panel).


4.3. DAMAGE DURING TRANSPORT

If the device was damaged during transport:

1. Do not install it.
2. Notify the fact immediately (within 5 days of delivery).

If it is necessary to return the device to the manufacturer, the original packaging must be used.

4.4. STORAGE

 Failure to observe the instructions provided in this section could cause damage to the device. The manufacturer declines all responsibility for damage deriving from the failure to observe these instructions.

If the device is not installed immediately upon delivery, to avoid its deterioration, proceed as indicated below:

- To correctly conserve the charging station, do not remove the original packaging until the moment it is installed.
- Deterioration of the packaging (cuts, holes, etc.) prevents the correct conservation of the charging station prior to installation. The manufacturer declines all responsibility relative to the consequences caused by packaging deterioration.
- Keep the device clean (remove dust, chips, grease, etc.) and avoid the presence of rodents.
- Protect it against water spray, welding sparks, etc.
- Cover the device with a protective breathable material to avoid condensation caused by environmental humidity.
- Charging stations kept in a warehouse must not be subjected to climatic conditions other than those indicated below:

Ambient storage conditions	
Minimum temperature	-40°C
Minimum temperature of the surrounding air	-40°C
Maximum temperature of the surrounding air	70°C
Maximum relative humidity without condensation	95%

- It is very important to protect the system against corrosive chemical products and saline environments.

5.

DEVICE HANDLING

During transport, the device must be protected against mechanical shocks, vibrations, water spray (rain) and any other product or situation able to damage it or alter its behaviour. Failure to respect these instructions could cause the product warranty to be cancelled without the manufacturer bearing any liability.

5.1. TRANSPORT

Handling the unpackaged device

At least the following provisions must be observed:

1. Follow the fundamental ergonomic recommendations to avoid injuries when lifting weights.
2. Do not release the device until it is perfectly fastened or positioned.
3. Follow the instructions of another person who guides the movements to be made.

5.2. PACKAGING REMOVAL

The correct handling of the charging stations is very important to:

- Avoid damaging the packaging that maintains their optimum condition, from shipment to the moment they are installed.
- Avoid striking or dropping the mechanical stations as this could deteriorate the mechanical properties.
- Avoid, as far as possible, the vibrations that could cause subsequent abnormal operation.

If a fault is discovered, contact Gewiss immediately.

Packaging disposal

The packaging can be sent to an authorised non-hazardous waste agent.

In any case, each part of the packaging must be disposed of as follows:

- Plastic (polystyrene, plastic bags and bubble wrap): relative container.
- Cardboard: relative container.

6.

PREPARATION FOR DEVICE INSTALLATION

To decide the location of the device and prepare for its installation, a series of instructions connected to the properties of the device must be followed.

6.1. ENVIRONMENT

- Position the charging station in a location that can be accessed for installation and maintenance, which permits its use and the reading of the LED indicators.
- Avoid corrosive environments that could have an influence on the correct operation of the device.
- It is prohibited to leave any object on the device.

6.2. ENVIRONMENTAL CONDITIONS

To select the most suitable location, take the environmental operating conditions of the device into consideration.

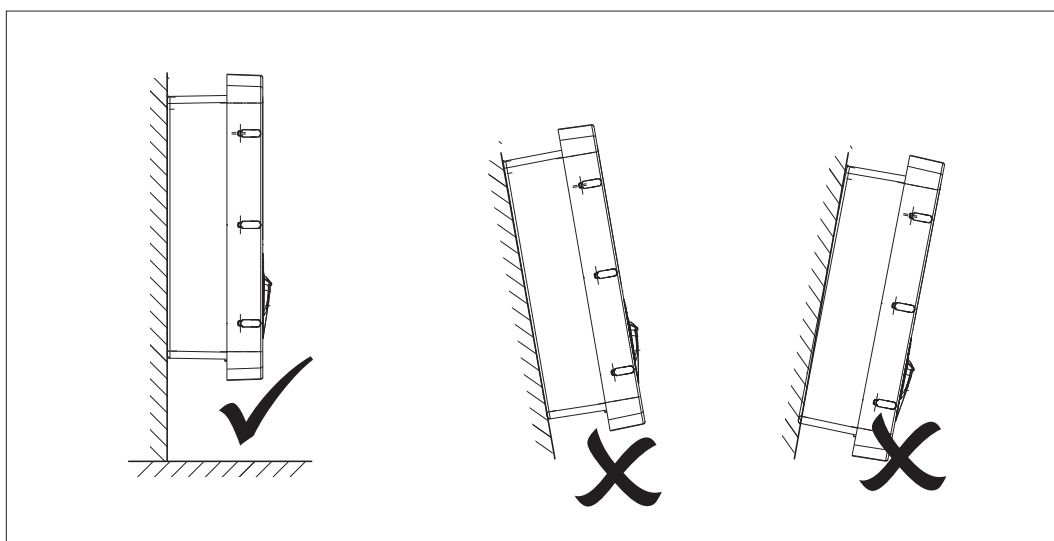
Environmental conditions	
Minimum temperature	-25°C
Minimum temperature of the surrounding air	-25°C
Maximum temperature of the surrounding air	+50°C
Maximum relative humidity without condensation	95%

NOTE= if the ambient temperature is higher than 40°C, a cover must be installed to protect the device from direct sunlight.

Remember that it could occasionally produce a small amount of condensation as a result of temperature changes. Therefore, in addition to the protection it has, the charging stations must be monitored when they are used in areas where it is probable that not all the previously indicated conditions will be satisfied. Never connect the device to the voltage supply when there is condensation.

6.3. SUPPORT AND FASTENING SURFACE

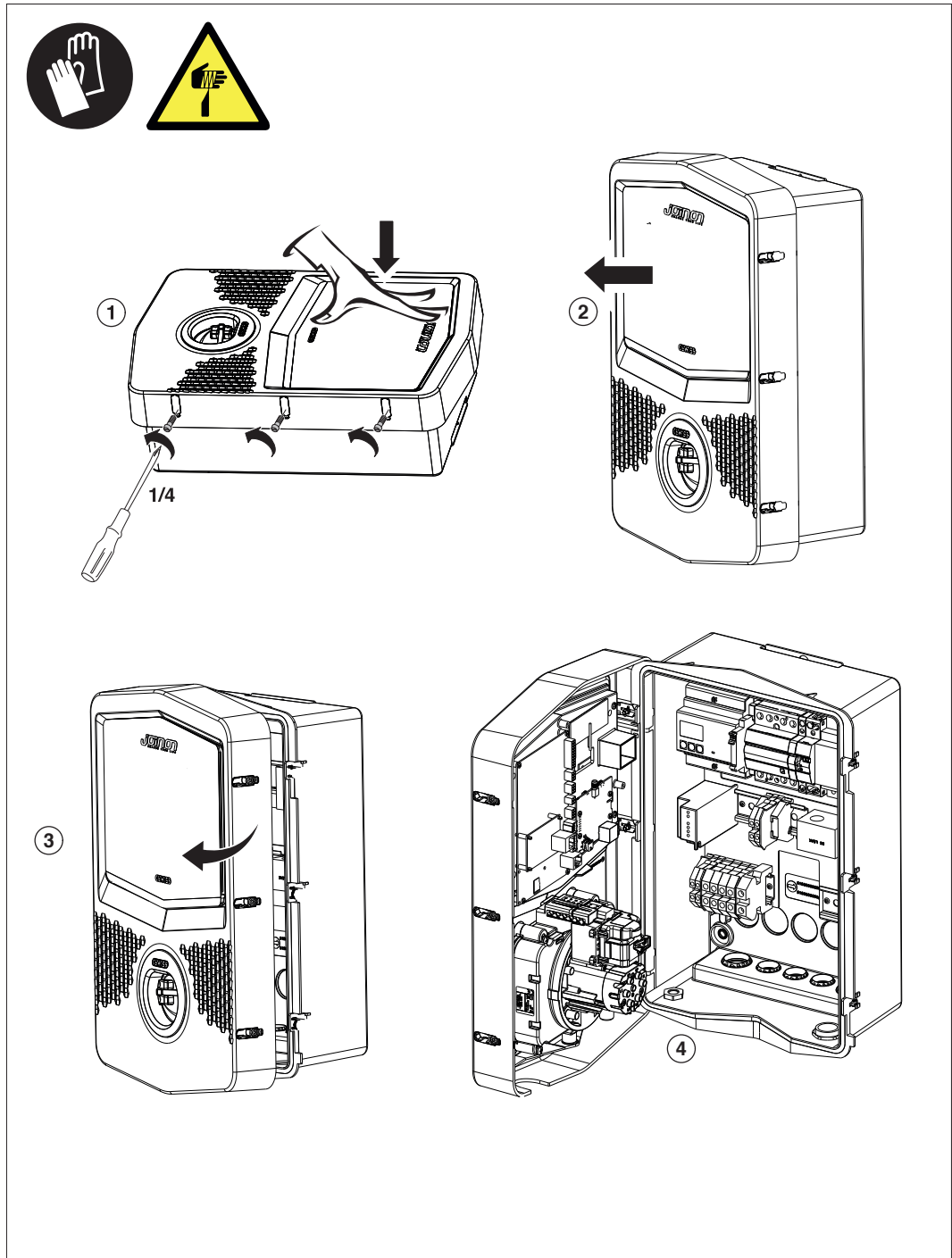
To ensure correct heat dispersal and a good hold, the recharging stations must be installed on a perfectly vertical wall.

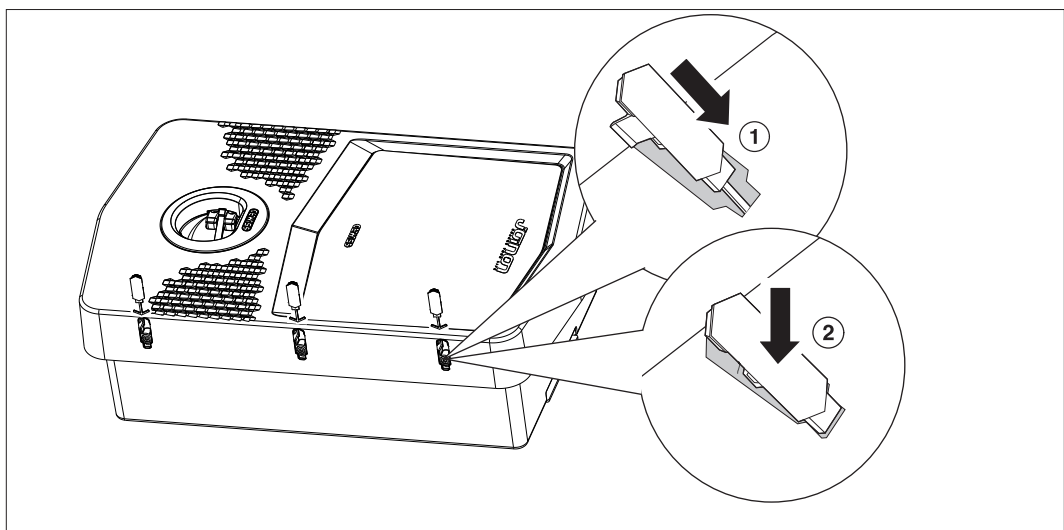
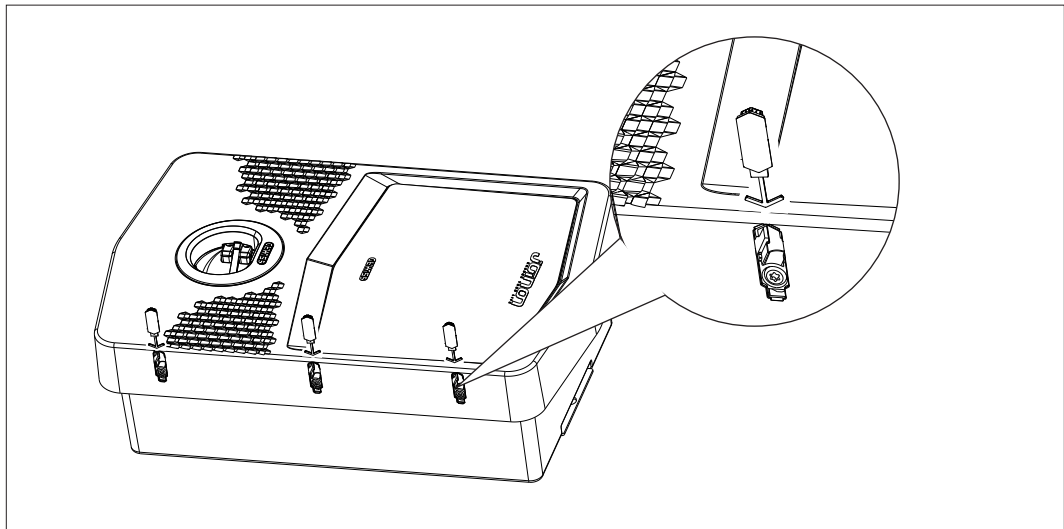
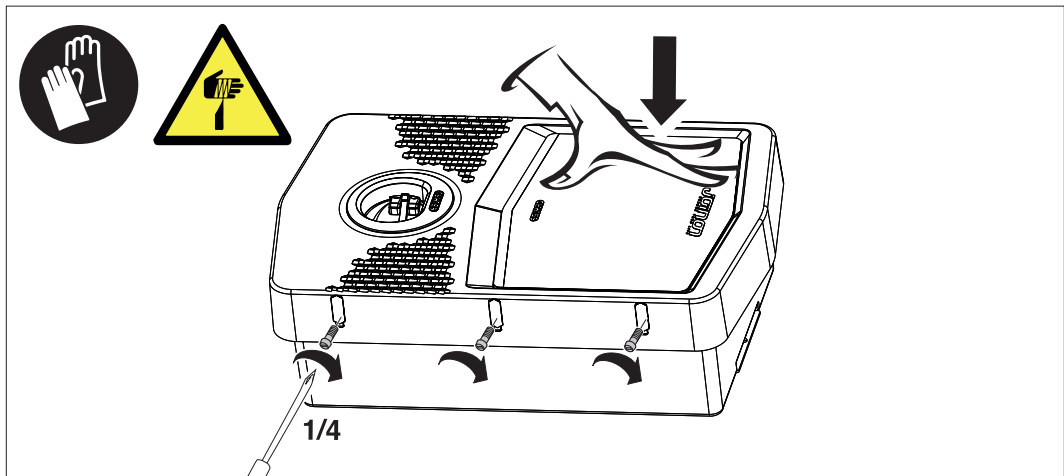


The wall on which the device is fastened must be solid. It must be possible to drill the wall and insert wall plugs and anchor bolts that are suitable for supporting the device weight.

6.4. OPENING THE CASING

To open the casing from the main access, proceed as shown in the following figures.



6.5. CLOSING THE CASING

7.

DEVICE INSTALLATION AND CONNECTION

Before proceeding with device installation, remove the packaging, paying particular attention to not damage the casing.

Make sure there is no condensation inside the packaging. Otherwise, install the device only when it is completely dry.



All the installation operations must be carried out in compliance with the directive in force.



All operations that involve moving large weights must be done by two people.



Connection must be carried out when the system is de-energised and by qualified personnel.



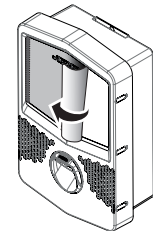
Scrupulously check that the device is not energised when accessing it inside.



To measure the lack of voltage, use dielectric gloves and safety goggles that are type-approved for electrical risks.



After completing the installation of the wallbox, remove the protective film from the front display.



7.1. GENERAL INSTALLATION REQUIREMENTS

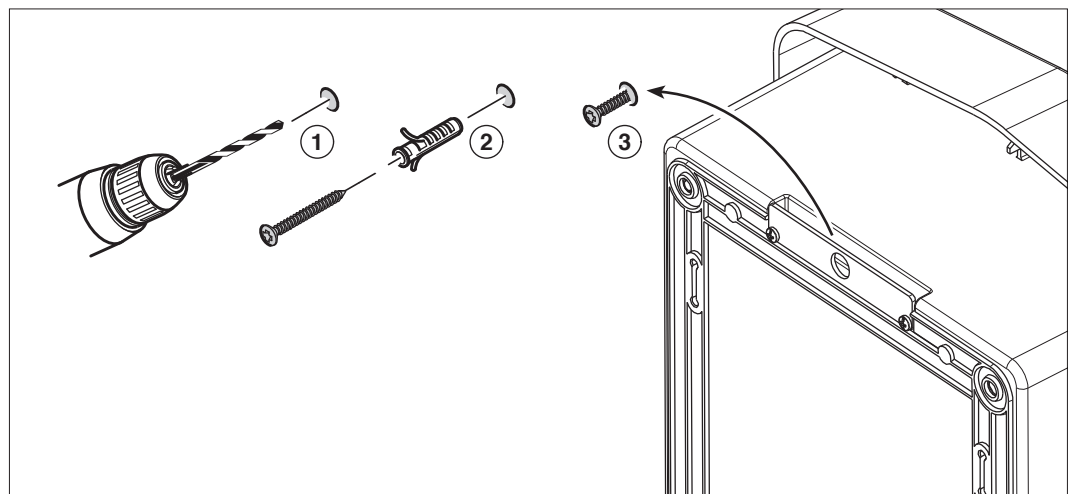
- The device must be installed in a suitable environment that satisfies the information described in chapter “6. Preparation for device installation”. Furthermore, the elements used in the rest of the installation must be compatible with the device and compliant with the applicable law.
- The ventilation and work space must be suitable for the maintenance operations according to the directive in force.
- The external connection devices must be suitable and observe the distance established by the directive in force.
- The section of the connection cables must be suitable for the maximum current intensity.

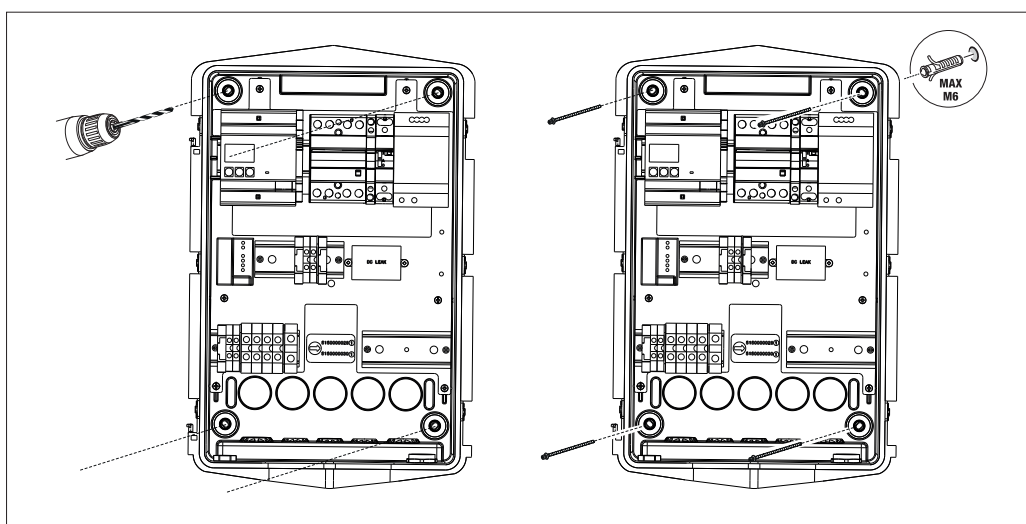
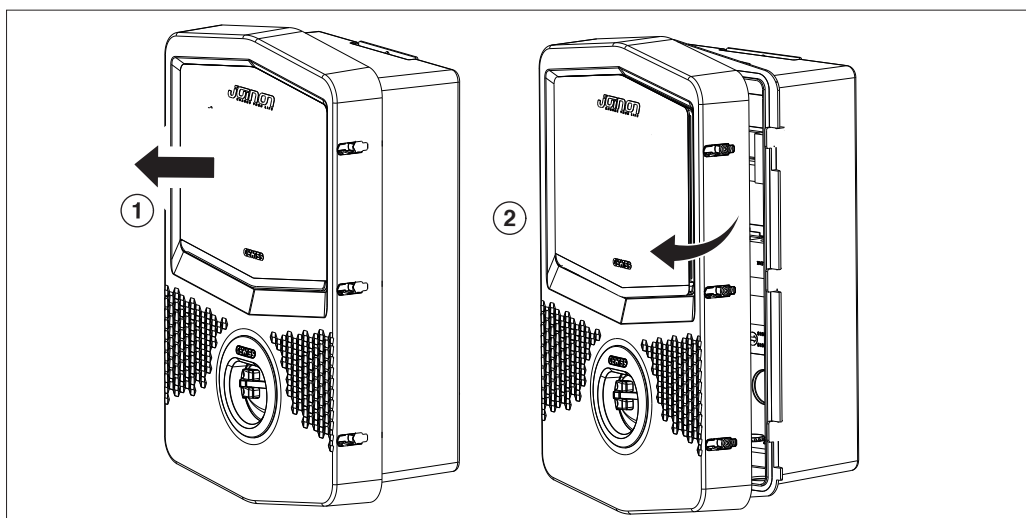
7.2. BASIC JOINON WALLBOX I-CON

7.2.1. DEVICE INSTALLATION

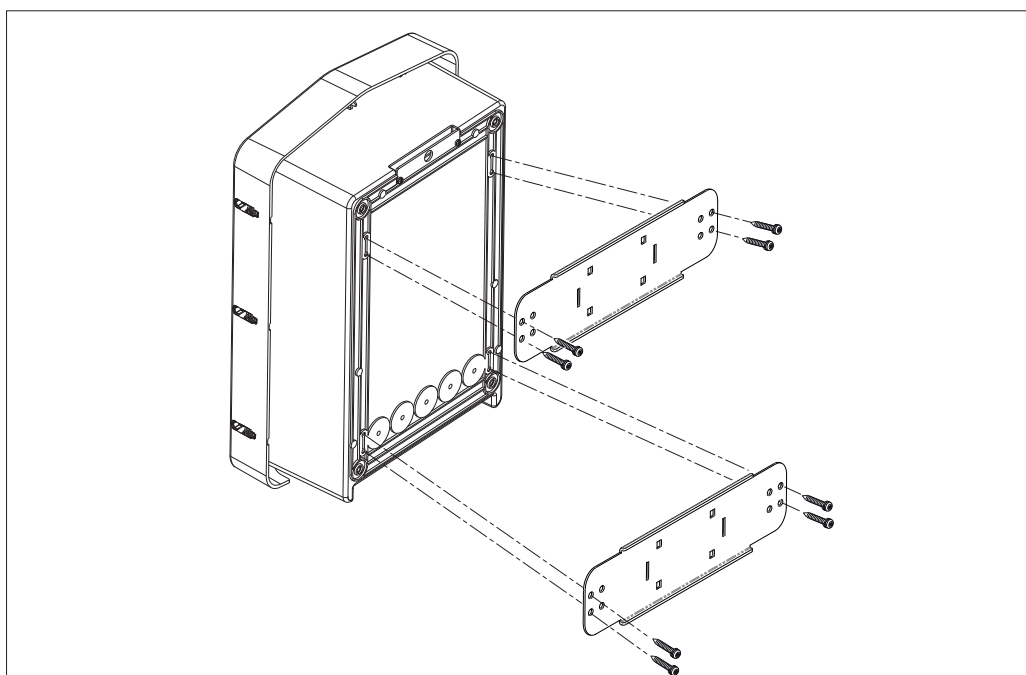
1. For device assembly, one of the two following solutions can be selected:

- Fixing on the wall

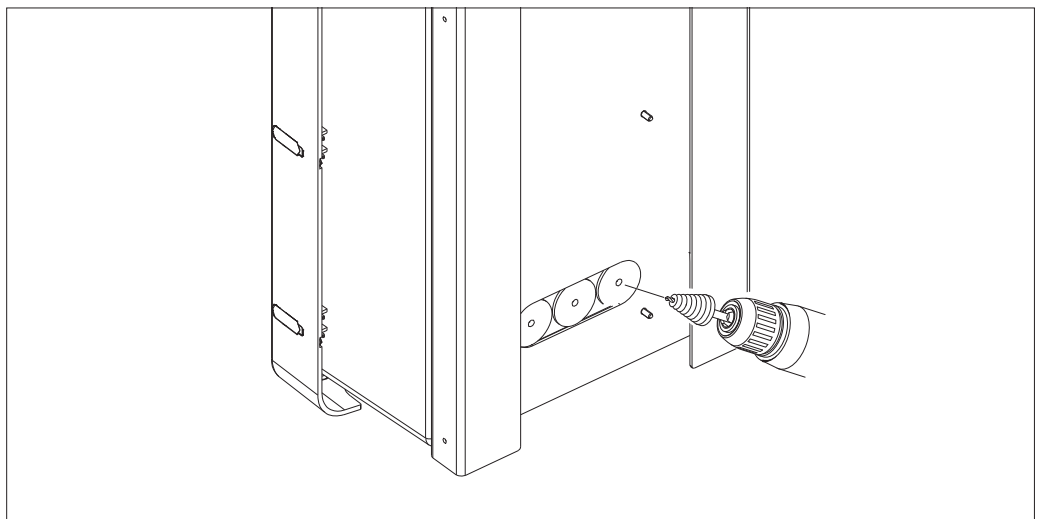
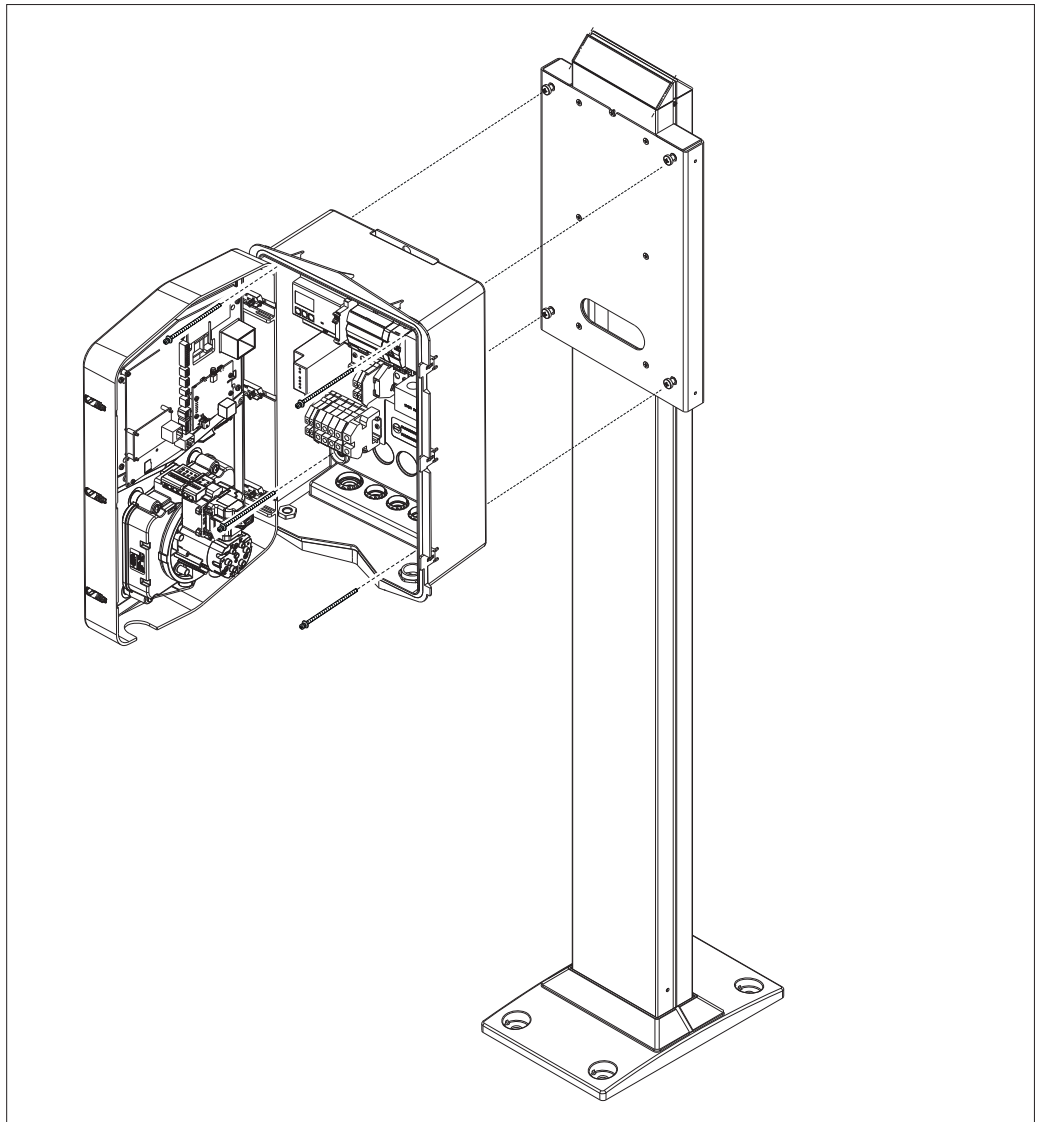




- Fixing with the aid of support brackets on pole GW46551



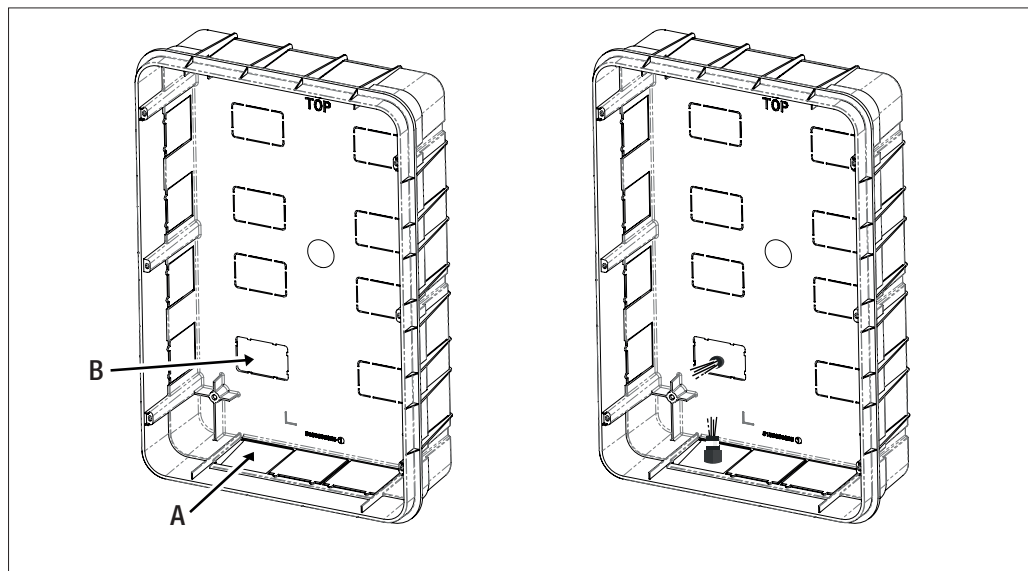
- Fixing to the support on the ground: after attaching the support to the ground, fix the column to the plate on the support (using the protruding screw, already installed), then use screws to fix the WB to the plate that includes the threaded rivets



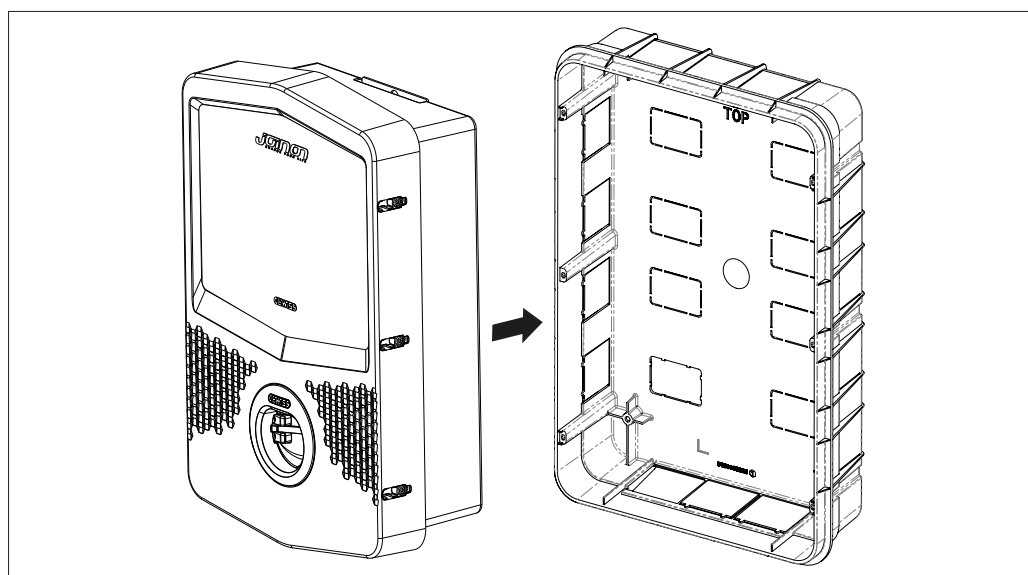
Cable inlet on the back of the circled area. Make the necessary holes.

- Fixing the WallBox to the wall (not valid for codes GWJ3001A, GWJ3002A, GWJ3003A, GWJ3004A, GWJ3011A, GWJ3012A, GWJ3013A, GWJ3014A)

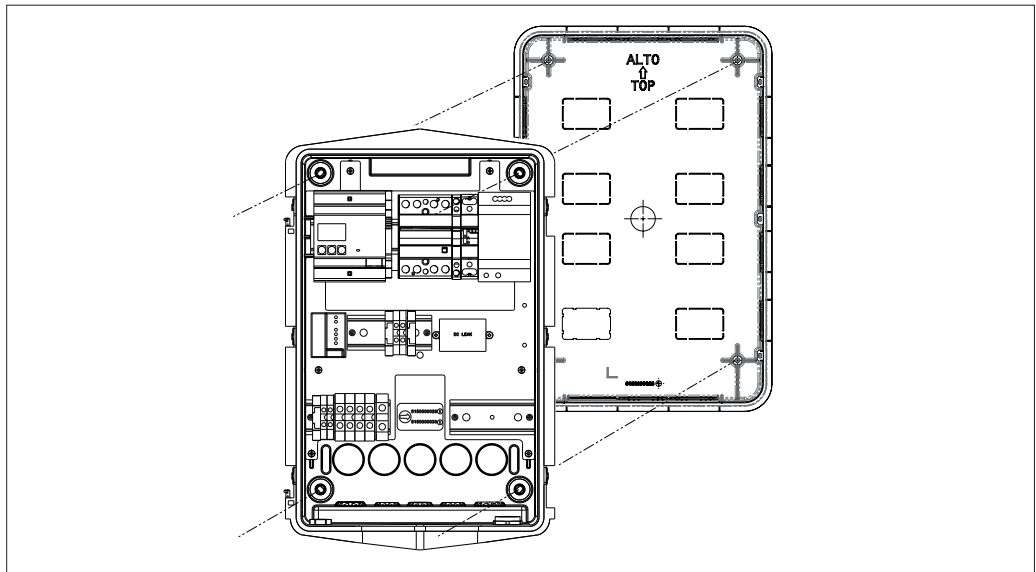
Eliminate the relevant knockouts on the basis of the cable inlet chosen (A from below, B from the rear), then fix the box in the wall



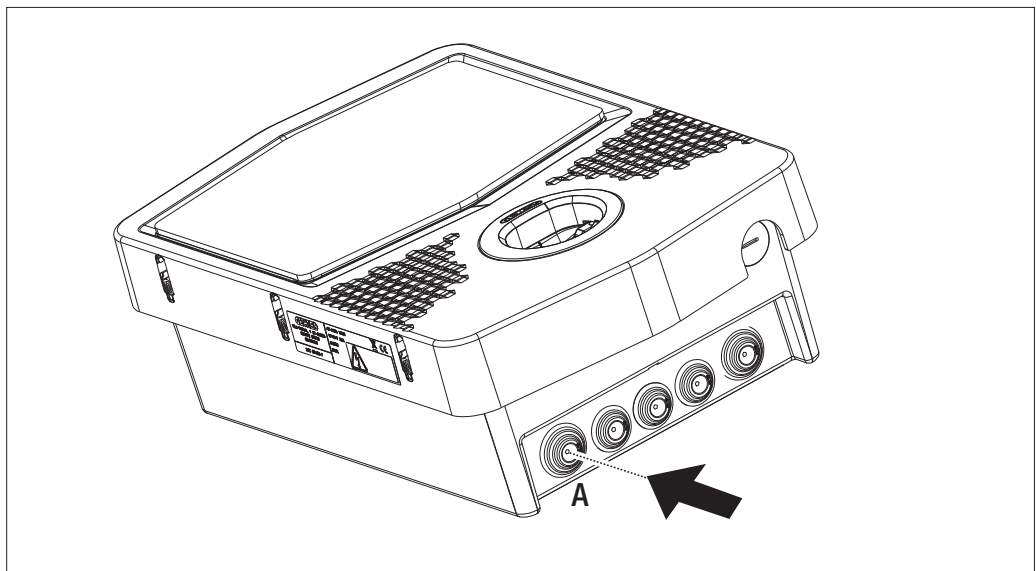
Insert the WallBox in the box



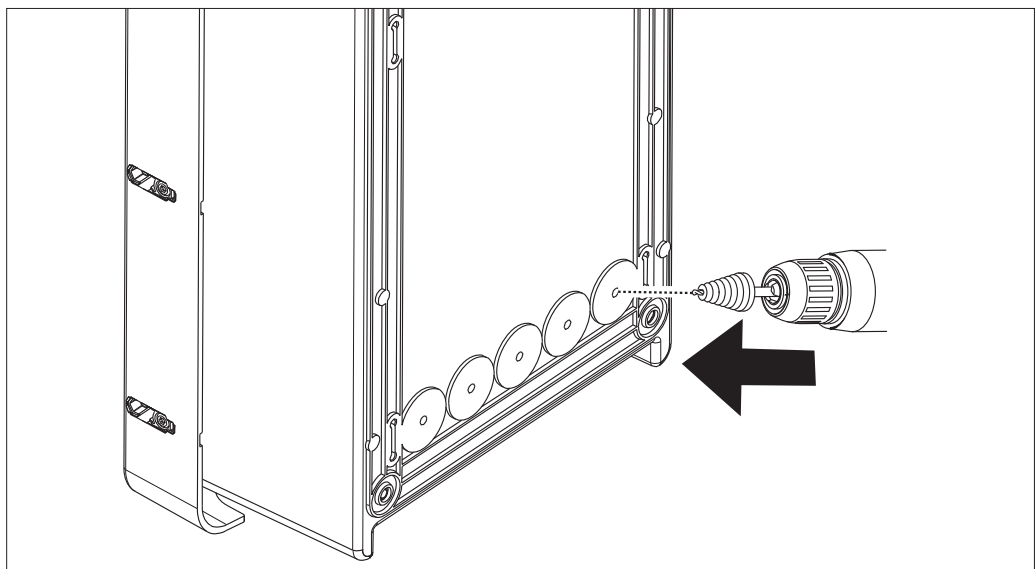
Fix it to the columns of the flush-mounting box using self-threading screws $\varnothing 4$



For the cable inlet from the bottom (A), use the cable glands supplied



For the cable inlet from the rear (B), prepare the back plate of the WallBox on the basis of your requirements



7.2.2. CONNECTION OF THE DEVICE POWER SUPPLY

Protection devices

Each charging station must be protected upstream by circuit breaker protection and residual current devices required by the low voltage electrical system standard. In particular, each individual station must be protected upstream by a Type A residual current circuit breaker 30 mA + miniature circuit breaker (the choice of device must be suitable for the power level and the power supply of the recharging station; protection against DC leakage is provided by the DC Leakage 6 mA device built into the products).

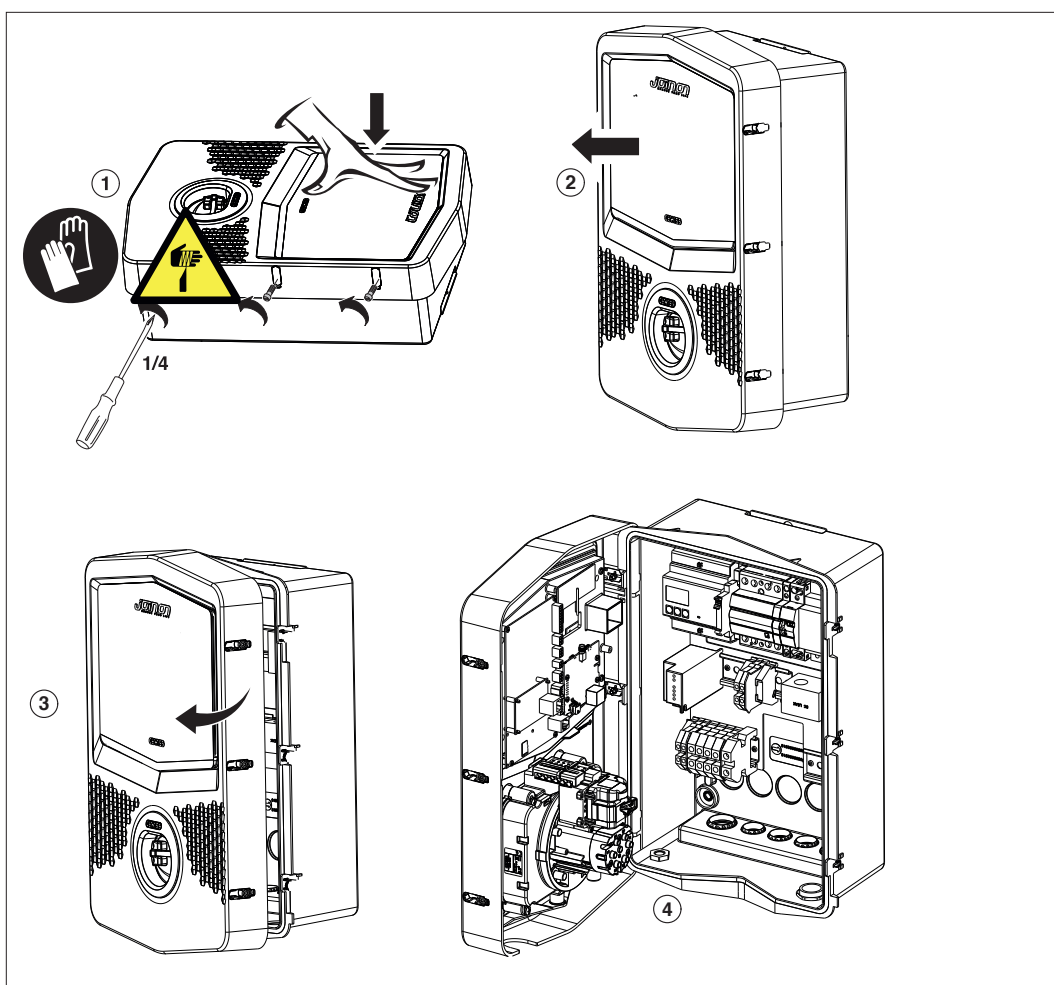
Wiring requisites

The connection must satisfy some requirements:

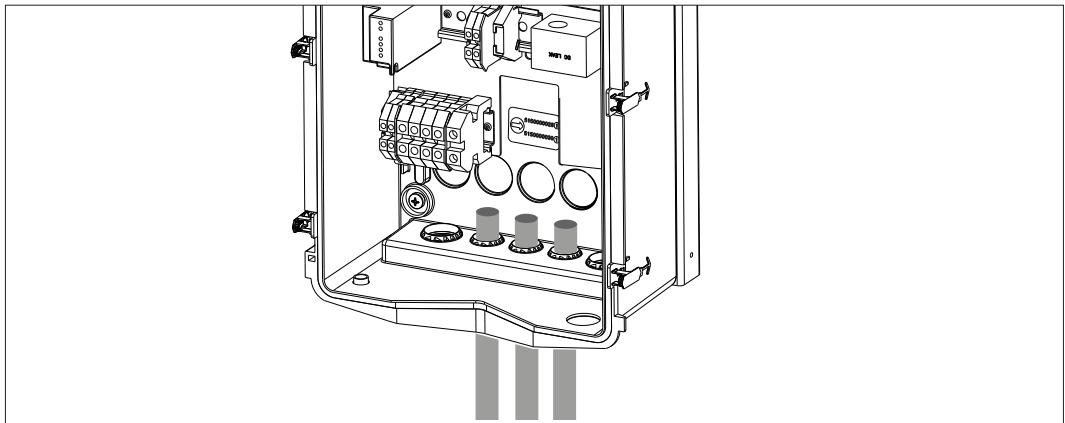
Connection specifications	
Type of connection	Single-phase/ three-phase
Number of wires	2P+E/3P+N+E
Rated current	Up to 32A
Maximum wire diameter	10mm ²

Connection procedure

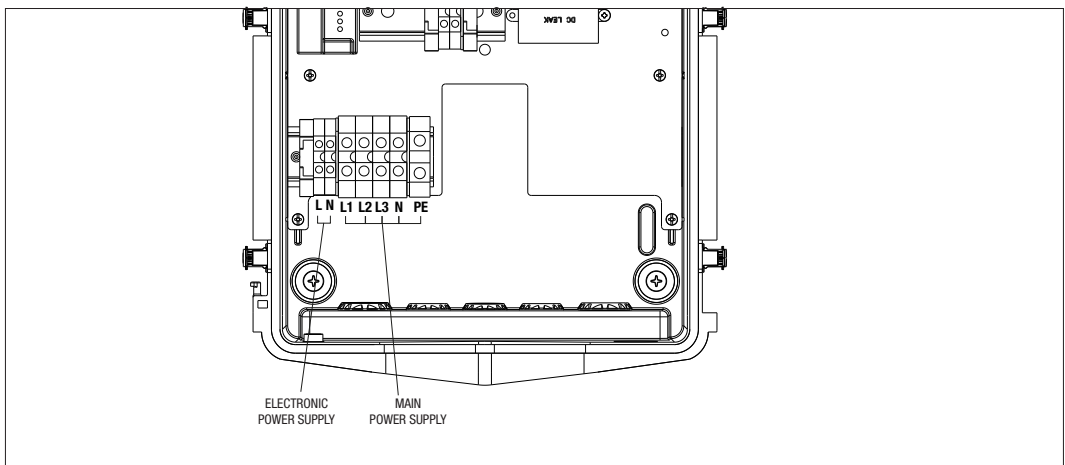
1. Open the casing as shown in the figure.



2. Power supply inlet



3. Connect the power supply and signal cables according to the different models



4. Once the electrical system is complete, the system is ready to be turned on.

If the station identifies a malfunction, the front status LED will turn red.

8.

OPERATION AND CHARACTERISTICS

Depending on the model, there are different ways of accessing the recharging service. The various operating modes are explained below.

8.1. AUTOSTART

AUTOSTART mode indicates that the recharging station is always available, without the need to identify the client by means of RFID or APP cards. The session begins as soon as the vehicle is connected to the recharging station. To end the charging session, stop it first on the vehicle (the method will change depending on the vehicle model; we suggest you refer to the manual of your vehicle to find the right method). The cable can now be removed from the vehicle, terminating the charging operation. The station will now allow you to remove the plug.

It's also possible to select the recharging power by means of the selector on the side of the recharging station.



Some electric car models may have a minimum charge power limit.

To ensure that the minimum charge power selector on the I-CON AUTOSTART station is used correctly, please check this value in your car instruction manual.

For example, the minimum power limit for the Renault Zoe® is about 1.8kW (8A) for a single-phase recharge and 8.5kW (13A) for three-phase, so in the case of a 4.6kW I-CON AUTOSTART charging station, the selector will have to be set at 100% or 60%.

A 30% selector setting is lower than the minimum power permitted by the car, so the recharging session will not be started.

8.2. RFID

RFID mode indicates that the session has to be activated and terminated using the RFID cards supplied by the provider and added to the local station White List beforehand.

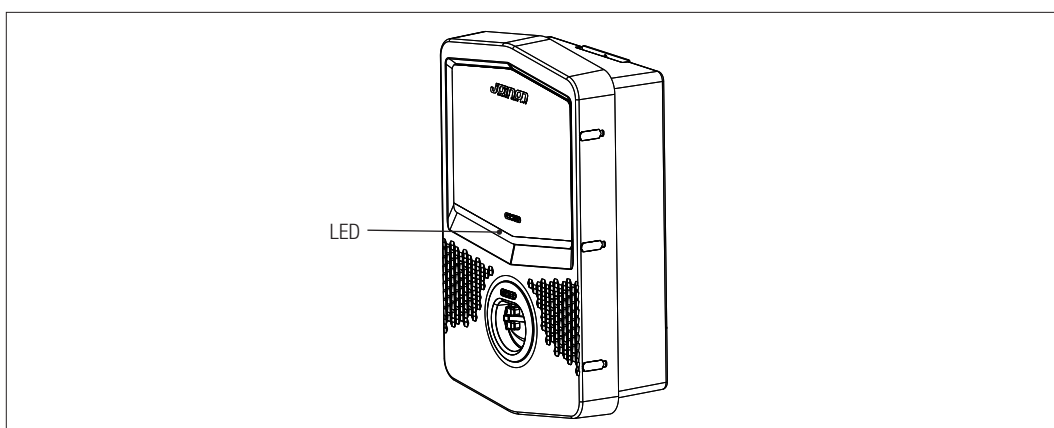
8.3. CLOUD OCPP

CLOUD mode indicates that the charging station is connected to a control and management platform. Thanks to this platform, the station can be controlled and monitored while it's operating, and the recharging sessions can be saved. The end user accesses the service via an app or using RFID cards associated with his/her own profile, in complete autonomy.

9.

STATUS INDICATORS

The charging station uses RGB LEDs to inform the client about the status and indicate which actions need to be carried out. The meanings of the various colours are explained below.



Colour and status	Description
Fixed green	The station is ready to start a charging session. No problem detected. This colour is also used to indicate the correct acquisition or deletion of the RFID cards. The fixed green colour will be visible for 2 seconds, preceded and followed by FLASHING WHITE (RFID card acquisition) or FLASHING RED (RFID card deletion)
Flashing green	The recharging station is waiting for the vehicle to be connected or disconnected.
Fixed blue	The charging session is in progress and the vehicle is absorbing energy.
Flashing blue	The charging session is in progress, but the vehicle is not absorbing energy (battery charged, or vehicle not ready for recharging).
Fixed red	An internal error has been detected by the station, and the charging process cannot be continued. or The RFID card used is not in the local white list.
Flashing red	The station has gone into RFID card deletion mode, to delete the cards from the local White List
Flashing white	The station has gone into RFID card acquisition mode, to save the cards in the local White List
None	The charging station does not have the necessary power supply

10.

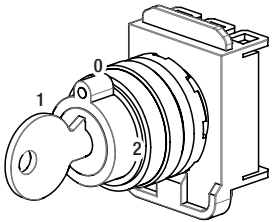
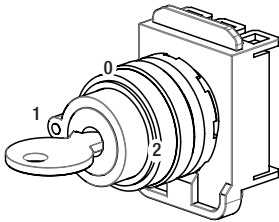
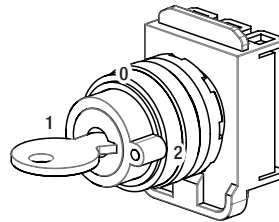
CHARGING PROCESS

The steps needed to carry out a recharging session are indicated below (but they may vary according to the operating mode).

10.1. AUTOSTART

The recharging station is always accessible and ready to begin a charging session as soon as a vehicle is connected.

It's fitted with a selector for choosing the recharging power.

POSITION 0	POSITION 1	POSITION 2
 <p>RECHARGING AT 100% OF NOMINAL POWER</p>	 <p>RECHARGING AT 60% OF NOMINAL POWER</p>	 <p>RECHARGING AT 30% OF NOMINAL POWER</p>

NOTE= For AUTOSTART models with a nominal power of 4.6kW, charging at 30% is forced on a 6A current value to avoid any possible problems when the charging operation begins.



Some electric car models may have a minimum charge power limit.

To ensure that the minimum charge power selector on the I-CON AUTOSTART station is used correctly, please check this value in your car instruction manual.

For example, the minimum power limit for the Renault Zoe® is about 1.8kW (8A) for a single-phase recharge and 8.5kW (13A) for three-phase, so in the case of a 4.6kW I-CON AUTOSTART charging station, the selector will have to be set at 100% or 60%.

A 30% selector setting is lower than the minimum power permitted by the car, so the recharging session will not be started.

To enable a recharging session:

#	Action to be carried out	RGB LED status
1	Make sure there are no errors on the charging station	Fixed green
2	Use the selector on the side to decide the charging power you want to use.	Fixed green
3	Insert the charging plug in the socket-outlet of the station, and in the vehicle or Connect the mobile connector to the vehicle.	Fixed green
4	Once the CP and PP signals have been checked, the recharging station will mechanically block the plug in the socket-outlet. The recharging session begins	Flashing blue
5	The vehicle requests energy from the recharging station	Fixed blue
6	Recharging session in progress	Fixed blue or flashing blue

#	Action to be carried out	RGB LED status
7	OPTIONAL During the charging process, the selector can be used to increase or reduce the charging power. The vehicle itself will then decide which power level to absorb	Fixed blue
8	To end the charging session, disconnect the recharging cable on the vehicle side	From fixed blue or flashing blue to flashing green
9	Take the plug out of the socket-outlet on the charging station side	From flashing green to fixed green
10	If the station detects no errors, it will return to standby	Fixed green

NOTE= To end the charging session, stop it first on the vehicle (the method will change depending on the vehicle model; we suggest you refer to the manual of your vehicle to find the right method). The cable can now be removed from the vehicle, terminating the charging operation. The station will now allow you to remove the plug.

The following table shows the charging power values used by the station on the basis of the position of the selector and the nominal power value of the station (to alter the NOMINAL POWER value, refer to chapter 13).

TYPE	VERSION	POWER SUPPLY	FACTORY VALUE	NOMINAL value that can be set	Selector position 1 VALUE 60%	Selector position 2 VALUE 30%
FREE	CABLE OR SOCKET-OUTLET	SINGLE-PHASE	20	20	12	6
				16	10	6
				14	8	6
				12	7	6
				10	7	6
			32	32	19	10
				25	15	7
				20	12	6
				16	10	6
				14	8	6
		THREE-PHASE*	16	16	10	6
				14	8	6
				12	7	6
				10	6	6
				8	6	6
			32	32	19	10
				25	15	7
				20	12	6
				16	10	6
				14	8	6
			12	7	6	
			10	7	6	

***NOTE=** it's important to remember that the current values indicated refer to a single phase. This means that in the case of a car with a three-phase charger, the current indicated will be absorbed for each phase (the current absorption is defined by the car in relation to the condition of the battery), resulting in the relative power value of a three-phase system. For a car with a single-phase charger (such as a PHEV) on the other hand, the current value will all be absorbed by the single phase available. In this situation, the recharging power will be different.
EXAMPLE: THREE-PHASE recharging station with the current value set at 16A (the maximum power that can be dispensed by the station: 11kW):

- when recharging a car with a three-phase charger, the maximum current dispensed is 16A for each of the 3 phases, and the relative charging power is 11kW;
- when recharging a car with a single-phase charger, the maximum current dispensed is 16A for the single phase managed by the car, and the relative charging power is 3.6kW.

10.2. PARKING

The station activates the charging session once a valid RFID card has been swiped.

There are two ways of adding more RFID cards to the local list:

METHOD 1

#	Action to be carried out	RGB LED status
1	Swipe the MASTER key across the RFID scanner to enable the storage phase	From fixed green to flashing white
2	Take each card that you want to add to the list and swipe them across the RFID scanner. The colour of the RGB LED indicates correct acquisition	Fixed green for 2 seconds
3	To quit the RFID card storage menu, swipe the MASTER key twice across the RFID scanner.	From flashing white to flashing red to fixed green

METHOD 2

#	Action to be carried out
1	Disconnect the power supply to the product by turning off the main switch
2	Open the charging station to access the electronic board
3	Remove the microSD card from its slot on the electronic board
4	Insert the microSD card in the specific slot of your PC to open the folder
5	Create a .csv file called "RFID.csv". The file structure must be: UID1; UID2; Example A14HNL5T; DZ47TBD5;
6	Save the file in the main directory of the microSD card
7	Insert the microSD card in the slot on the electronic board again
8	Close the recharging station and reconnect the power supply to launch the procedure. If the procedure has been completed without errors, the station will import the file and the data it contains. The LEDs will flash blue, 3 times. At the end of the import procedure, the file will be renamed RFID_old.csv on the microSD.
9	Once the command has been executed, the station will return to standby

Contact GEWISS SAT customer service for the UID codes of your RFID cards; you will be asked to give the number on the cards. 4-byte or 7-byte cards can be saved, as long as they are compatible with standard ISO/IEC 14443 part A

To delete an RFID card from the local list:

#	Action to be carried out	RGB LED status
1	Swipe the MASTER key across the RFID scanner to enable the storage phase	From fixed green to flashing white
2	Swipe the MASTER key across the RFID scanner again to enable the deletion phase	From flashing white to flashing red
3	Swipe the card that you want to delete across the RFID scanner	Fixed green for 2 seconds
4	To quit the RFID card storage menu, swipe the MASTER key across the RFID scanner	From flashing red to fixed green

To enable a recharging session:

#	Action to be carried out	RGB LED status
1	Make sure there are no errors on the charging station	Fixed green
2	Swipe an RFID card across the scanner, close to the graphic symbol	Fixed green
3	If the card is recognised (i.e. it's in the local list), the re-charging station is activated to begin the charging session, and waits for the vehicle to be connected.	Flashing green
4	Once the vehicle has been connected, the station checks that everything is OK for the charging session	Flashing green
5	If there are no problems, the charging station will block the plug in the socket-outlet both electrically and mechanically. The recharging session begins	Flashing blue
6	The vehicle requests energy from the recharging station	Fixed blue
7	Recharging session in progress	Fixed blue or flashing blue
8	To end the charging session, take the same RFID card used to launch the session and swipe it across the scanner again. The station ends the charging session by releasing the plug from the Type 2 socket-outlet	From fixed blue or flashing blue to flashing green
9	Take the plug out of the socket-outlet on the charging station side	From flashing green to fixed green
10	If the station detects no errors, it will return to standby	Fixed green

10.3. CLOUD PARKING

In this mode, the charging station is connected to a control platform via the OCPP protocol. The OCPP protocol allows the station to connect to any platform which uses that protocol.

To take advantage of this mode, a specific parameter configuration is needed in order to create correct station-platform communication.

The use of connected solutions allows access to a series of advanced options that give both the end user and the owner better access to the service.

The end user can use the JOINON app or a similar expedient to find the nearest recharging station and access the service by following the instructions given.

The station owner can monitor the status of the station and the consumption level from remote and in real time.

11.

FAULTS AND TROUBLESHOOTING

The station codifies the errors found by the electronic board and saves them in the internal log. The log files are saved on the microSD card on the electronic board. These files need to be analysed in order to find the cause of the problem.

The errors that might be detected by the charging station are listed below

Error code	Description	Solution
Error 4	The contactor is working when it shouldn't be. The Type 2 socket-outlet is powered in the standby condition	Check the signal from the electronic board to the contactor, to make sure the former isn't controlling the latter. If the board isn't controlling the contactor, make sure the contactor contacts aren't jammed. If necessary, replace the device
Error 5	The shutters of the type 2 socket-outlet aren't in the right condition (closed)	Check the mobility of the gates and the relative mechanical devices. If necessary, replace the socket-outlet.
Error 6	Error in the control of the socket-outlet locking motor (it doesn't switch from the OPEN to the CLOSED position)	Manually check the mobility of the pin by moving the red lever on the back of the type 2 socket-outlet locking motor.
Error 7	Error in the control of the socket-outlet locking motor (it doesn't switch from the CLOSED to the OPEN position)	Manually check the mobility of the pin by moving the red lever on the back of the type 2 socket-outlet locking motor.
Error 8	The energy meters are no longer communicating with the electronic board	Check the Modbus line connection Check the power supply to the energy meters Make sure the energy meters are working properly Make sure the component on the Modbus line is numbered correctly
Error 10	The charging station has been disconnected from the platform for more than 24h	Disconnect the power supply to the charging station. Leave the station switched off for at least 2 minutes Reconnect the power supply, then wait for the station to reconnect to the platform
Error 13	DC current detected on return line from the vehicle	In this situation, the charging session is immediately suspended. Remove the recharging cable from the vehicle and wait to begin a new session. If the problem persists, contact the manufacturer of the vehicle
Error 14	Short-circuit detected on the CP signal	The station detects a short-circuit between the CP signal and earth. Remove the cable and try again. If the error persists, replace the cable.
Error 15	The load connected is not suitable for recharging	If a vehicle has been connected but the problem persists, contact the manufacturer of the vehicle.
Station OFF	The electronic board is not receiving the power supply it needs in order to work	Check the power supply upstream of the station Check the circuit breaker protection on the electronic board protection panel is working properly Check the 12V power supply to the electronic board

In the case of products connected to the JOINON platform, or if the maintenance package has been purchased, call the FreePhone number 800 123 325 when necessary.

In all other cases where technical support is required, call GEWISS SAT customer service.

12. UPDATING THE FIRMWARE

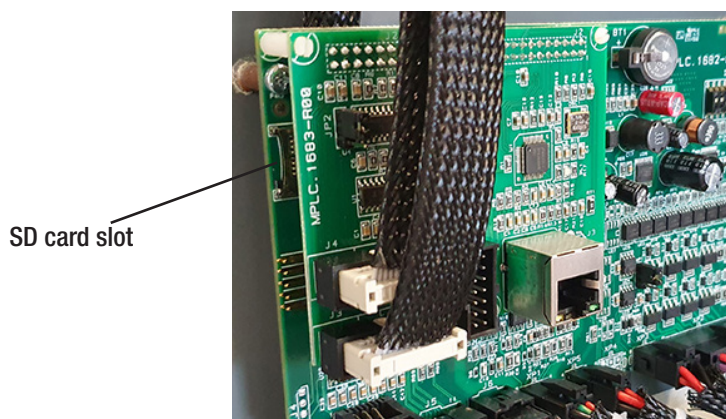
Recharging stations not designed for remote connection to the cloud platform can be updated by inserting the microSD card in the relative slot of the electronic board.

To understand which firmware version is installed in the product, open a LOG file saved on the microSD card itself (you are advised to use the most recent file).

In each LOG file, the first row contains the FW version(s) installed on the station.

```

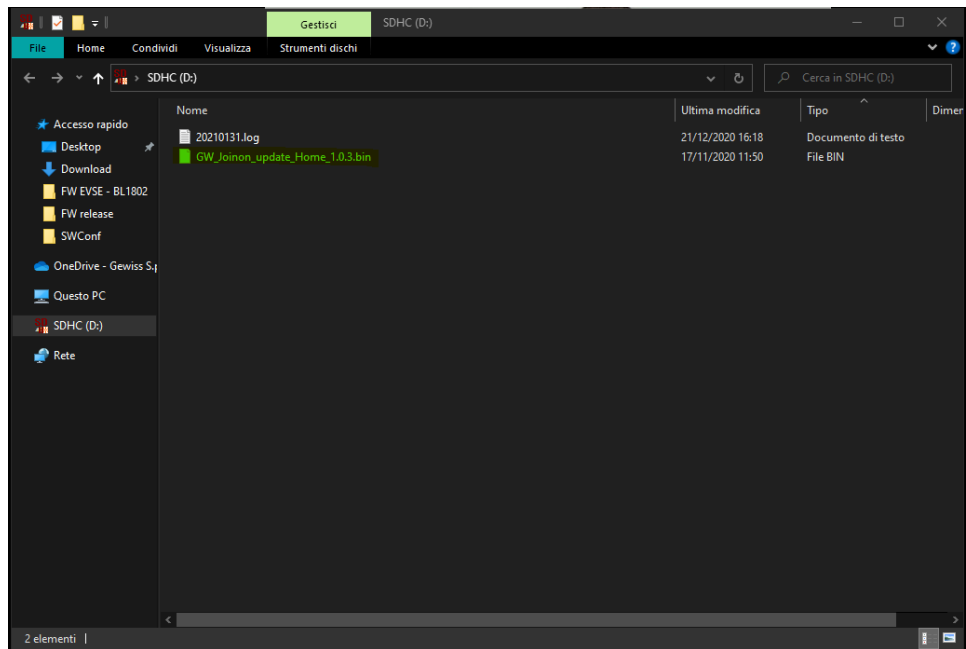
20201221.log - Blocco note di Windows
File Modifica Formato Visualizza ?
Firmware Release: V_1_7_0
[2020-12-21T10:02:52] - [3] - [SEC = COMMON, FUNC = DataManager_UpdateModel] - Model: 2,
Meter model SX: 2, Meter model DX: 2, Socket model: 0
[2020-12-21T10:04:13] - [3] - [SEC = COMMON, FUNC = DataManager_UpdateModel] - Model: 2.
    
```



To update the firmware, proceed as follows:

#	Action to be carried out
1	Disconnect the power supply to the product by turning off the main switch
2	Open the charging station to access the electronic board
3	Remove the microSD card from its slot on the electronic board
4	Insert the microSD card in the specific slot on your PC, to open the folder
5	Paste the update file in the main folder of the microSD card NB: contact GEWISS SAT customer service for the most recent file <(which will also be available on the GEWISS website, using a code search)
6	Insert the microSD card in the slot on the electronic board
7	Close the charging station and reconnect the power supply to launch the updating procedure
8	At the end of the updating procedure, the station will confirm the positive outcome via the front LED, which will flash green 3 times.

NOTE—The FW update package(s) is/are inserted in the main folder of the microSD as shown in the example below



13.

MODIFYING THE OPERATING PARAMETERS OF THE RECHARGING STATION

Once the product has been installed, certain station operating parameters can be modified via a text file to be saved on the microSD card inserted in the charging station itself.

Use a computer to create a text file renamed “config.ini”, where you can insert the parameters you want to modify. The parameters must be added as indicated below.

The parameters that can be modified are:

Function description	Name of the parameter to be used	Available options, and examples
Maximum input current	MAXAMPEREAVAILABLE	The input current set in the factory can be altered to suit the real availability and avoid problems during recharging. To do this, use the MAXAMPEREAVAILABLE parameter Example MAXAMPEREAVAILABLE=32
Maximum recharging current	AMPERESOCKET_SX	It is possible to define a recharging current different from the one set in the factory. To do this, use the AMPERESOCKET_SX parameter Example AMPERESOCKET_SX=10
Date and time	DATETIME	If the station date is wrong, it can be updated using the DATETIME value. The format is YYYY/MM/DD-hh:mm Example DATETIME=2021/01/31-14:00
LOG level	LOGLEVEL	The LOG level saved by the recharging station on the microSD card can be modified using the LOGLEVEL parameter. There are 2 options: 3 (limited wordiness) or 4 (high degree of wordiness) Example LOGLEVEL=3

14.**DISCONNECTING FROM THE MAINS SUPPLY**

This section describes the procedure for disconnecting the device from the mains network. If you want to work inside the device (qualified personnel only), interventions must first be made on the protection elements upstream of the line (both for the power level part and the power supply to the electronic board).

15.**PREVENTIVE MAINTENANCE****15.1. RESIDUAL CURRENT DEVICES**

The residual current circuit breakers installed upstream of the station must be checked at least once every 6 months to make sure they are working properly. To do this, press the TEST key and make sure the device actually trips.