

©2020 Hangzhou Hikvision Digital Technology Co., Ltd. All rights reserved.

About this Manual

The Manual includes instructions for using and managing the Product. Pictures, charts, images and all other information hereinafter are for description and explanation only. The information contained in the Manual is subject to change, without notice, due to firmware updates or other reasons. Please find the latest version of this Manual at the Hikvision website (<https://www.hikvision.com/>). Please use this Manual with the guidance and assistance of professionals trained in supporting the Product.

HIKVISION and other Hikvision's trademarks and logos are the properties of Hikvision in various jurisdictions. Other trademarks and logos mentioned are the properties of their respective owners.

Disclaimer

TO THE MAXIMUM EXTENT PERMITTED BY APPLICABLE LAW, THIS MANUAL AND THE PRODUCT DESCRIBED, WITH ITS HARDWARE, SOFTWARE AND FIRMWARE, ARE PROVIDED "AS IS" AND "WITH ALL FAULTS AND ERRORS". HIKVISION MAKES NO WARRANTIES, EXPRESS OR IMPLIED, INCLUDING WITHOUT LIMITATION, MERCHANTABILITY, SATISFACTORY QUALITY, OR FITNESS FOR A PARTICULAR PURPOSE. THE USE OF THE PRODUCT BY YOU IS AT YOUR OWN RISK. IN NO EVENT WILL HIKVISION BE LIABLE TO YOU FOR ANY SPECIAL, CONSEQUENTIAL, INCIDENTAL, OR INDIRECT DAMAGES, INCLUDING, AMONG OTHERS, DAMAGES FOR LOSS OF BUSINESS PROFITS, BUSINESS INTERRUPTION, OR LOSS OF DATA, CORRUPTION OF SYSTEMS, OR LOSS OF DOCUMENTATION, WHETHER BASED ON BREACH OF CONTRACT, TORT (INCLUDING NEGLIGENCE), PRODUCT LIABILITY, OR OTHERWISE, IN CONNECTION WITH THE USE OF THE PRODUCT, EVEN IF HIKVISION HAS BEEN ADVISED OF THE POSSIBILITY OF SUCH DAMAGES OR LOSS.

YOU ACKNOWLEDGE THAT THE NATURE OF INTERNET PROVIDES FOR INHERENT SECURITY RISKS, AND HIKVISION SHALL NOT TAKE ANY RESPONSIBILITIES FOR ABNORMAL OPERATION, PRIVACY LEAKAGE OR OTHER DAMAGES RESULTING FROM CYBER-ATTACK, HACKER ATTACK, VIRUS INSPECTION, OR OTHER INTERNET SECURITY RISKS; HOWEVER, HIKVISION WILL PROVIDE TIMELY TECHNICAL SUPPORT IF REQUIRED.

YOU AGREE TO USE THIS PRODUCT IN COMPLIANCE WITH ALL APPLICABLE LAWS, AND YOU ARE SOLELY RESPONSIBLE FOR ENSURING THAT YOUR USE CONFORMS TO THE APPLICABLE LAW. ESPECIALLY, YOU ARE RESPONSIBLE, FOR USING THIS PRODUCT IN A MANNER THAT DOES NOT INFRINGE ON THE RIGHTS OF THIRD PARTIES, INCLUDING WITHOUT LIMITATION, RIGHTS OF PUBLICITY, INTELLECTUAL PROPERTY RIGHTS, OR DATA PROTECTION AND OTHER PRIVACY RIGHTS. YOU SHALL NOT USE THIS PRODUCT FOR ANY PROHIBITED END-USES, INCLUDING THE DEVELOPMENT OR PRODUCTION OF WEAPONS OF MASS DESTRUCTION, THE DEVELOPMENT OR PRODUCTION OF CHEMICAL OR BIOLOGICAL WEAPONS, ANY ACTIVITIES IN THE CONTEXT RELATED TO ANY NUCLEAR EXPLOSIVE OR UNSAFE NUCLEAR FUEL-CYCLE, OR IN SUPPORT OF HUMAN RIGHTS ABUSES.

IN THE EVENT OF ANY CONFLICTS BETWEEN THIS MANUAL AND THE APPLICABLE LAW, THE LATER PREVAILS.

This product and - if applicable - the supplied accessories too are marked with "CE" and comply therefore with the applicable harmonized European standards listed under the RE Directive 2014/53/EU, the RoHS Directive 2011/65/EU.



replacement of a battery with an incorrect type that can defeat a safeguard (for example, in the case of some lithium battery types);

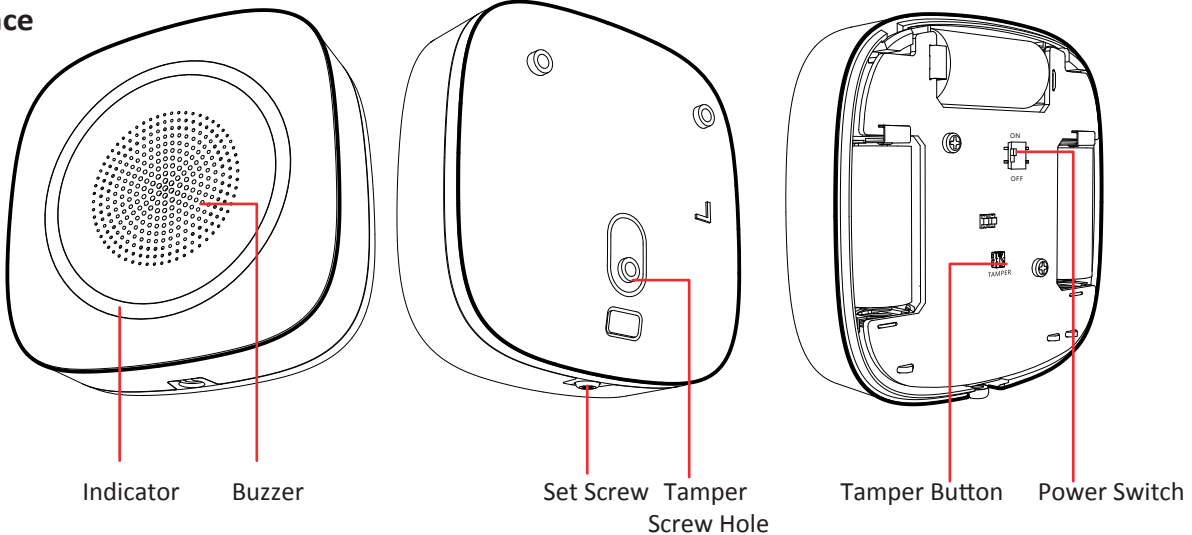
- disposal of a battery into fire or a hot oven, or mechanically crushing or cutting of a battery, that can result in an explosion;
- leaving a battery in an extremely high temperature surrounding environment that can result in an explosion or the leakage of flammable liquid or gas; and
- a battery subjected to extremely low air pressure that may result in an explosion or the leakage of flammable liquid or gas.

2012/19/EU (WEEE directive): Products marked with this symbol cannot be disposed of as unsorted municipal waste in the European Union. For proper recycling, return this product to your local supplier upon the purchase of equivalent new equipment, or dispose of it at designated collection points. For more information see: www.recyclethis.info



2006/66/EC (battery directive): This product contains a battery that cannot be disposed of as unsorted municipal waste in the European Union. See the product documentation for specific battery information. The battery is marked with this symbol, which may include lettering to indicate cadmium (Cd), lead (Pb), or mercury (Hg). For proper recycling, return the battery to your supplier or to a designated collection point. For more information see: www.recyclethis.info

1 Appearance



2 Indication

LED Indication Description

Operations

Armed	Red LED flashes once.
Disarmed	Red LED flashes twice.
Formatted	Red LED flashes 3 times.
Enrolled	Green LED flashes 7 times.

Display Signal Strength

Check signal strength and select installation place
Enter the signal checking mode by operating on the AX PRO.

Strong Signal	indicator turns green for 3 s.
Medium Signal	indicator turns orange for 3 s
Weak Signal	indicator turns red for 3 s.
Disconnected	indicator flashes red for 3 s.

Buzzer

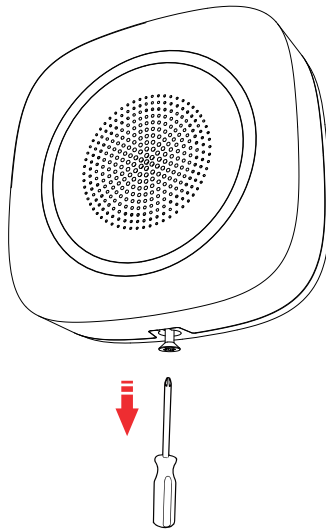
Zone Alarm	Rapid high frequency impulsive sound.
Panic Alarm	High and low frequency alternated impulsive sound.
Fire Alarm	Fire bell.
Armed	One beep.
Disarmed	Two beeps.

Note:

-You can sign in web client "Device - Sounder - Settings" or the mobile client "wireless Device" to adjust the volume of buzzer.
-The zone alarm buzzer in volume level 3 compliants with EN certification.

4 Enrollment

1. Remove the screw on the bottom of the sounder, and disassemble the peripheral and remove the rear panel.



2. Log in to the APP Store, download and install App.
3. Power on the security control panel.
4. Log in the APP and tap the icon "+". Scan the QR code or input the control panel serial No. (Last 5 digit) to add the control panel.
5. Enroll the peripheral locally, with OR code, or with serial No..

Enroll the Peripheral Locally

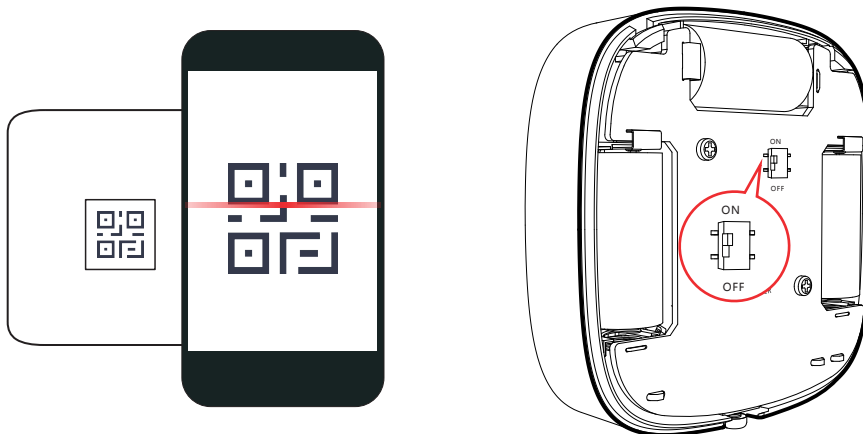
1. In the APP, tap the "Enrollment Mode" button on the control panel page to make the control panel enter the enrollment status.
2. Push the power switch of the peripheral to on, and it will be automatically enrolled to the control panel.

Enroll the Peripheral with APP

1. In the APP, tap the icon "+" and scan the QR code on the peripheral or enter the serial No. (Last 5 digit) of the peripheral.
2. Push the power switch of the peripheral to on, and it will be automatically enrolled to the control panel.

Note:

for re-enrollment, you need to hold the tamper button while powering the peripheral on simultaneously.
For power on again, push the power switch to ON at least 5 s after power off.



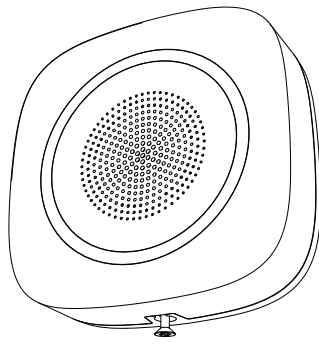
5 Installation



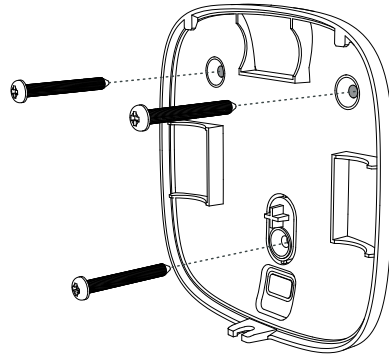
-The additional force shall be equal to three times the weight of the equipment but not less than 50N. The equipment and its associated mounting means shall remain secure during the installation. After the installation, the equipment, including any associated mounting plate, shall not be damaged.
-Install the device on the place with nonflammable surface, such as concrete wall.

1. Check signal strength and select installation place
Enter the signal checking mode by operating on the control panel.
Signal indicator turns green for 3 s: Strong.
Signal indicator turns orange for 3 s: Medium.
Signal indicator turns red for 3 s: Weak.
Signal indicator flashes red for 3 s: Lost.

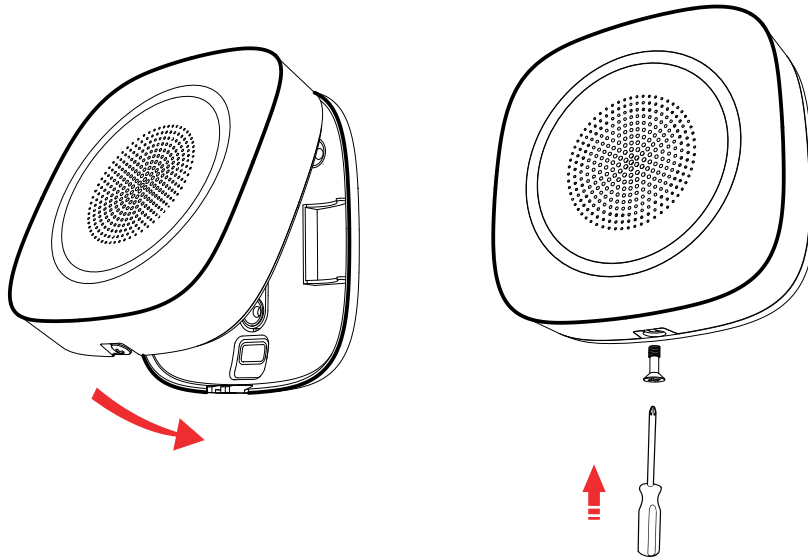
2. Loosen the set screw at the bottom of the sounder and remove the front panel.



3. Secure the sounder with other three screws.



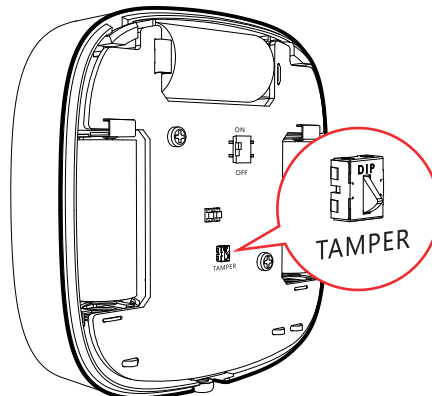
4. Fix the front panel on the sounder body. Tighten the set screw to complete the installation.



6 Operation

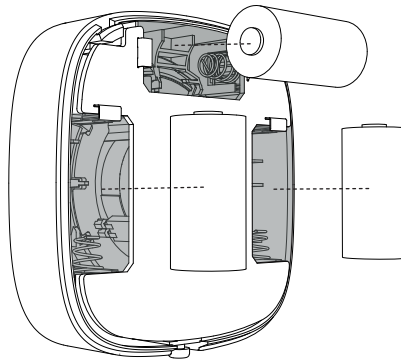
Formatting

Hold the tamper button, and push the power switch to ON simultaneously. Release the tamper button after 8 s, and the device will start formatting. While the formatting is completed, the red LED flashes 3 times.



Replace Batteries

The device is self powered from the manufacturer.
 Replace all batteries at the same time.
 Do not mix old and new batteries.



CAUTION
 RISK OF EXPLOSION IF BATTERY IS REPLACED BY AN INCORRECT TYPE
 DISPOSE OF USED BATTERIES ACCORDING TO THE INSTRUCTIONS

CHEMICAL BURNING DANGER
 DO NOT SWALLOW THE BATTERY
 KEEP NEW AND USED BATTERIES AWAY FROM THE CHILDREN

INSTALL THE BATTERIES ACCORDING TO THE POLARITY MARK ON THE BATTERY HOLDER. THE OPPOSITE POLARITY MAY CAUSE DEVICE DAMAGE

DO NOT REVERSE THE POLARITY OF THE BATTERY

7 Operation Caution and Device Maintenance

- All the electronic operation should be strictly compliance with the electrical safety regulations, fire prevention regulations and other related regulations in your local region.
 - Do not drop the device or subject it to physical shock, and do not expose it to high electromagnetism radiation. Avoid the equipment installation on vibrations surface or places subject to shock (ignorance can cause equipment damage).
 - Please make sure that the power has been disconnected before you wire, install or dismantle the device.
 - If smoke, odors or noise rise from the device, turn off the power at once and unplug the power cable, and then please contact the service center.
 - Do not drop the device or subject it to physical shock, and do not expose it to high electromagnetism radiation. Avoid the equipment installation on vibrations surface or places subject to shock (ignorance can cause equipment damage).
 - Do not place the device in extremely hot (refer to the specification of the device for the detailed operation temperature), cold, dusty or damp locations, and do not expose it to high electromagnetic radiation.
 - The device for indoor use shall be kept from rain and moisture.
- Exposing the equipment to direct sun light, low ventilation or heat source such as heater or radiator is forbidden (ignorance can cause fire danger).
- Do not aim the device at the sun or extra bright places. A blooming or smear may occur otherwise (which is not a malfunction however), and affecting the endurance of sensor at the same time.
 - Improper use or replacement of the battery may result in hazard of explosion. Replace with the same or equivalent type only. Dispose of used batteries according to the instructions provided by the battery manufacturer.
 - Do not expose the device to the corrosive gas. Otherwise the equipment damage may occur.
 - Do not expose the device to the explosive situation.

8 Specification

RF	Frequency	868 MHz
	Metod	Two-way communication
	Distance	1.6 KM
Indication	Indicator	Red/Green/Amber
	Strobe light	Red/Blue
Power	Power	Battery (default power supply method)
	Consumption	Quiescent Current: 40uA Max. 3 V/4A (alerts in volume level 3)
	Low Battery Cut Off	2.45 V
	Voltage Range	Fully charged (new) to 2.45V DC (battery)
	Battery life span	3 CR123A, 3 years in work status (triggered every two weeks and alerting 90 s for each triggering)
Interface	Power switch	Power switch
	Tamper switch	Front and rear tamper-proof
Buzzer	Decibel	90 to 110 db
	Max. sound duration	15min (900s)
General	Operation Temperature	-10 °C to 40 °C (14 °F to 104 °F)
	Operation Humidity	10% to 90%
	Dimension (W × H × D)	88× 88 × 32 mm (3.46" ×3.46" × 1.26")
	Weight	169.5g
	Installation	Wall mounting