



# Smart Curtain Kit

## Packaging and installation instructions

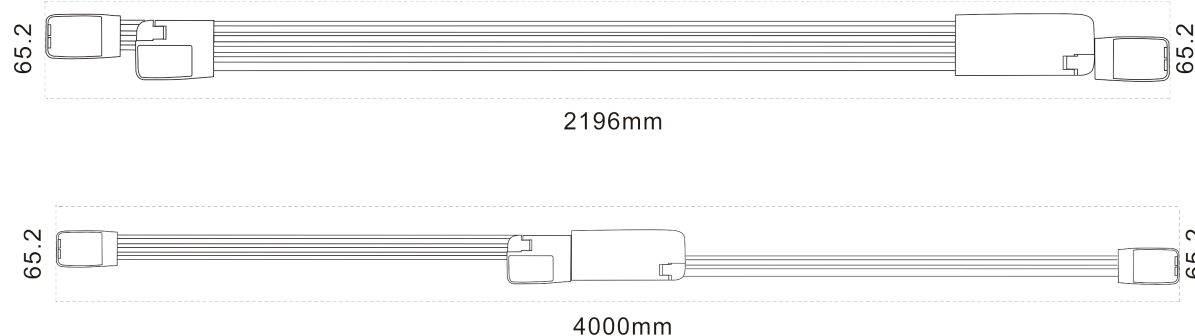
# Smart Curtain Kit installation instructions

## Telescopic rail size (window length)

### W14

Size: 4m

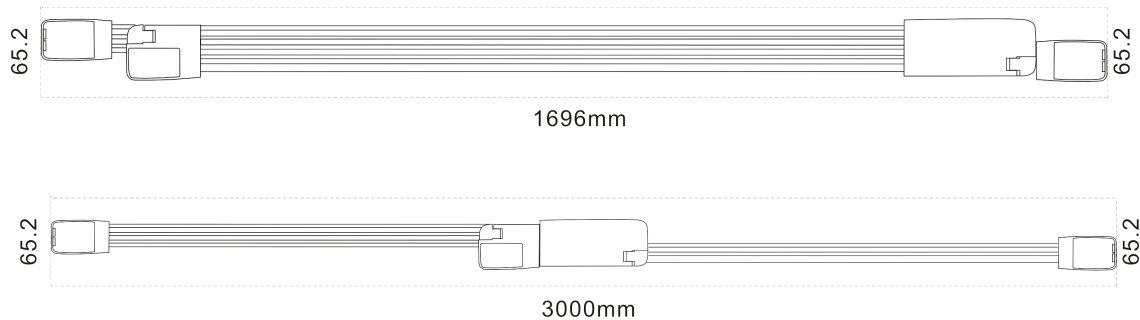
Window: length: 2.2 ~ 4.0 m  
width 65.2 mm



### W13

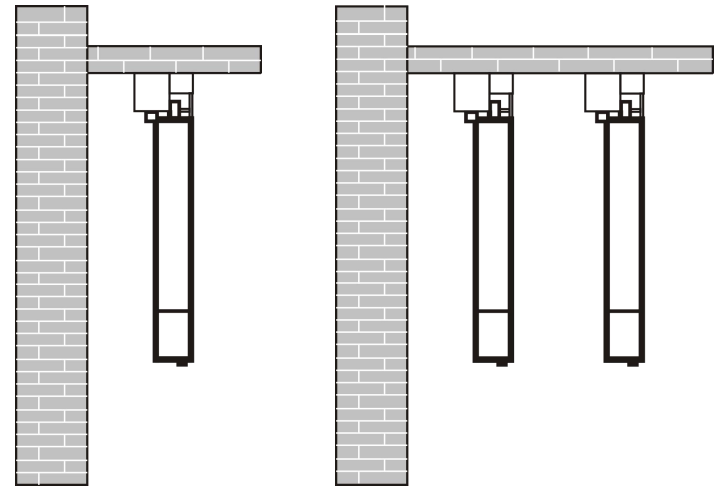
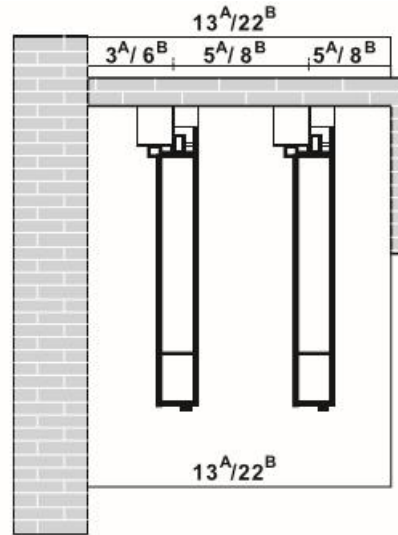
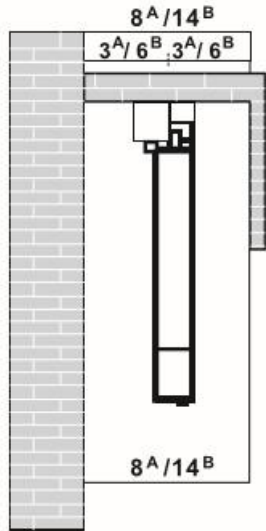
Size: 3 m

Window : length 1.7 ~ 3.0 m  
width 65.2 mm



# Smart Curtain Kit installation instructions

## Top-mounted (wide)



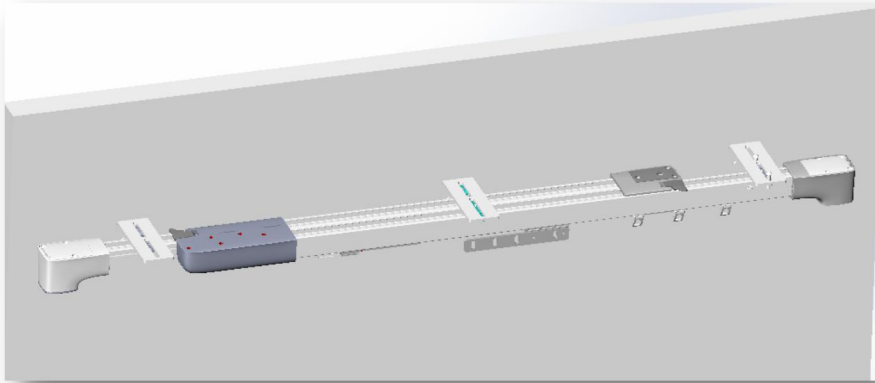
Top loading 1: The width of single-layer curtain box is at least 8cm. It is most suitable when the width is 14 cm.

Top load 2: The width of the double curtain box is at least 13 cm. It is most suitable when the width is 22 cm.

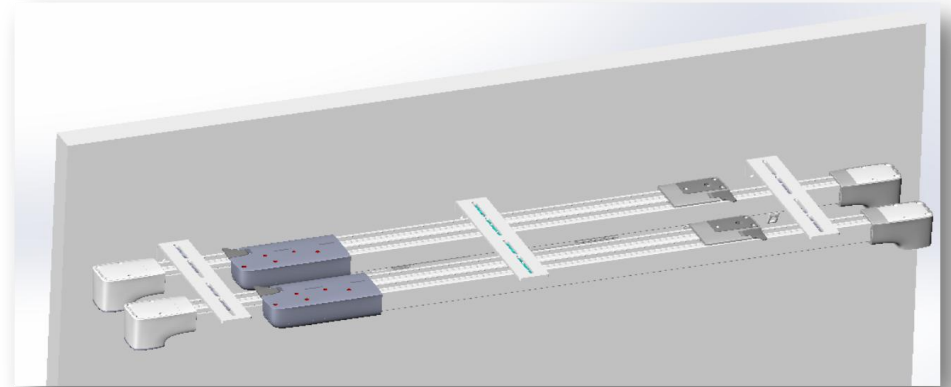
Top load 3: No curtain box  
No size requirements

## Smart Curtain Kit installation instructions

### Side mounted



Side-mounted 1: Single-layer side-mounted curtains  
Need to configure the unit to install the side code  
Note: The Side mounted needs to be purchased separately

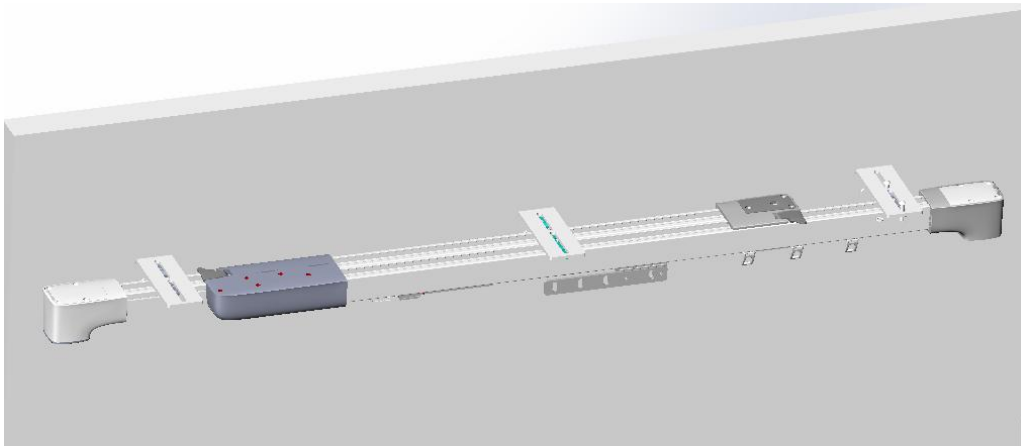


Side-mounted 2: Double-layer side-mounted curtains  
Need to configure double-digit installation si decode

**Note: The Side mounted needs to be purchased separately**

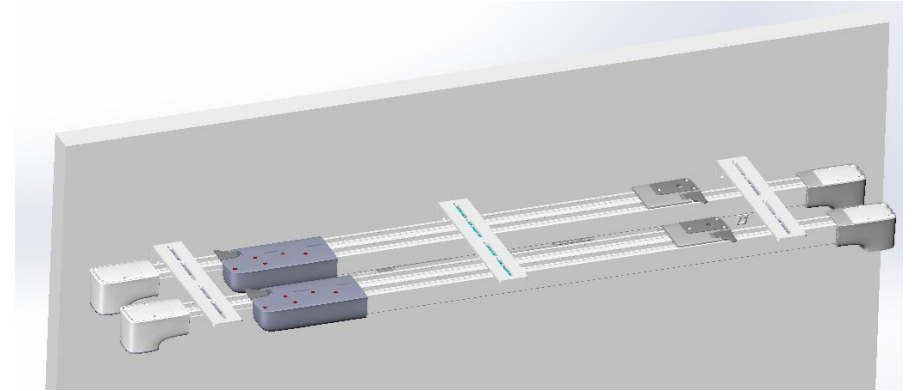
## Smart Curtain Kit installation instructions

Before sale-Side mounted



Side-mounted 1: Single-layer side-mounted curtains

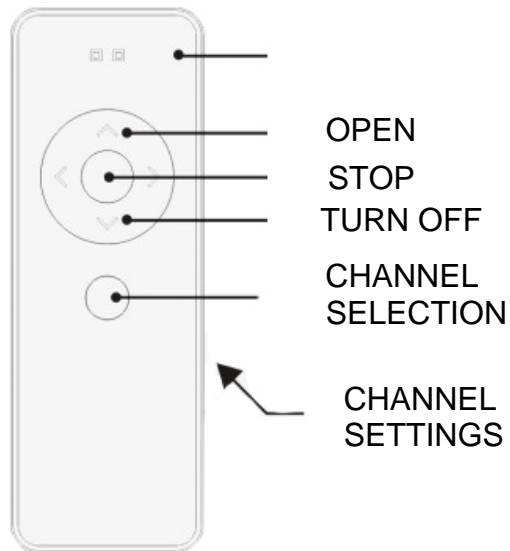
Need to configure the unit to install the side code



Side-mounted 2: Double-layer side-mounted curtains

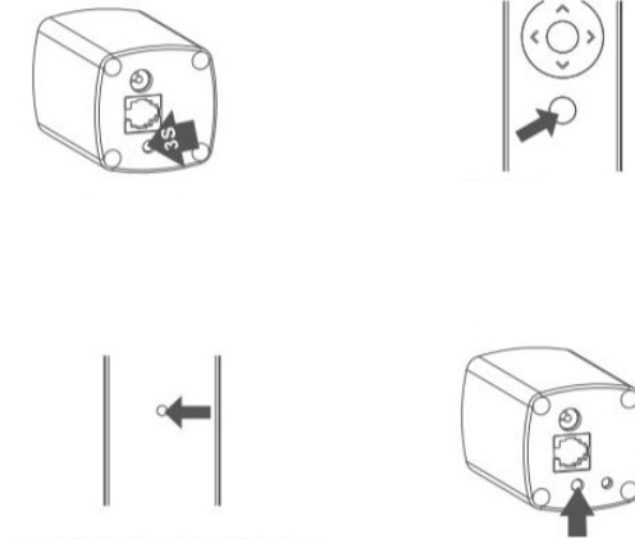
Need to configure double-digit installation side code

# Smart Curtain Kit installation instructions



Remote control code  
sending rules:channel  
address+function+check

Key combination:  
Long press  
[channel selection]+[stop]=delete itinerary  
Long press [Stop] + [On] = open hand start  
Longpress  
【 Stop 】 + 【 Off 】 =Close and start by hand



The first step:  
motor learning code status, motor  
listening address code  
Step 2:  
Choose which channel address  
Step 3:Send channel address  
Step 4:The motor confirms receipt

## Smart Curtain Kit installation instructions

Motor-installation direction (reserved position of power supply)



Note: The curtain motor comes with a 70 cm power cord, please pay attention to the distance between the socket and the motor

# Smart Curtain Kit installation instructions

Not applicable

Double open



Single open



L type double open



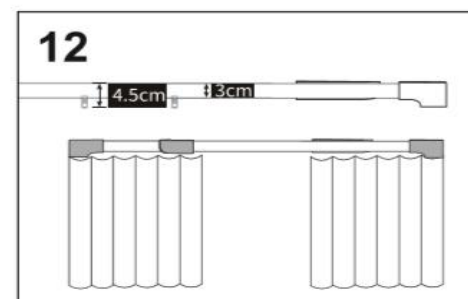
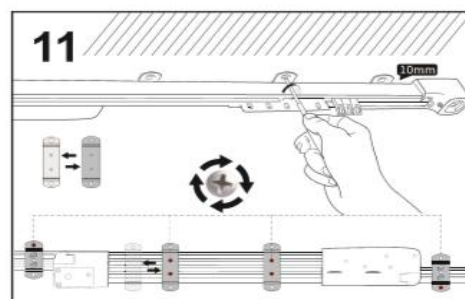
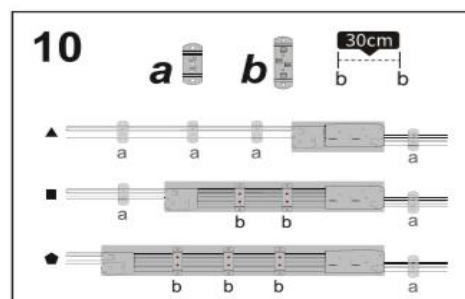
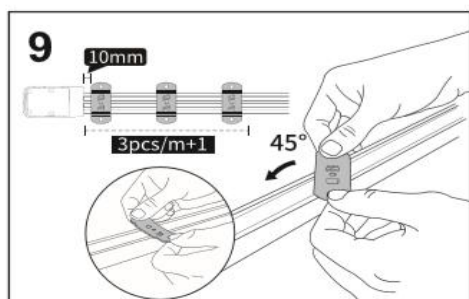
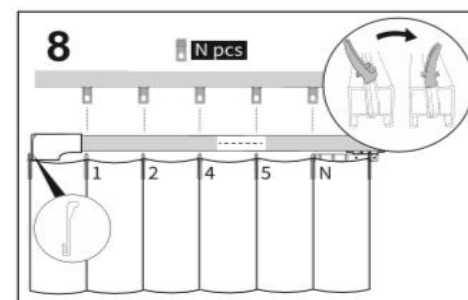
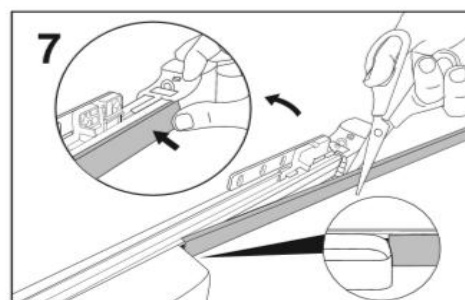
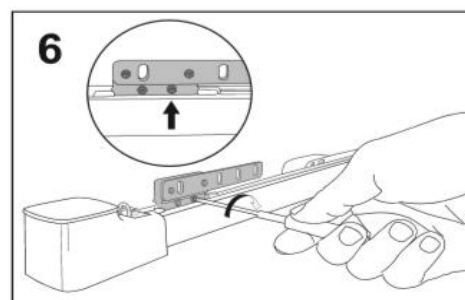
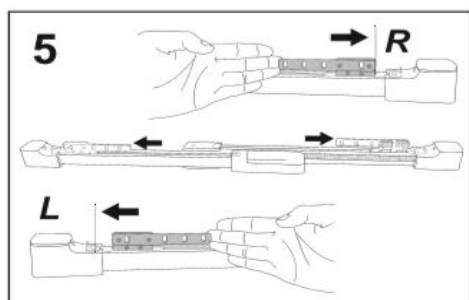
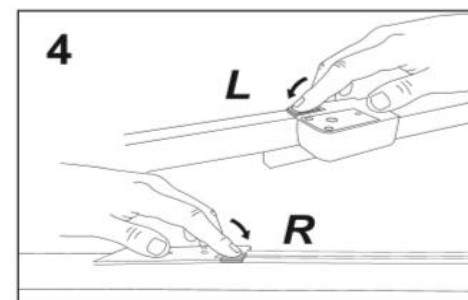
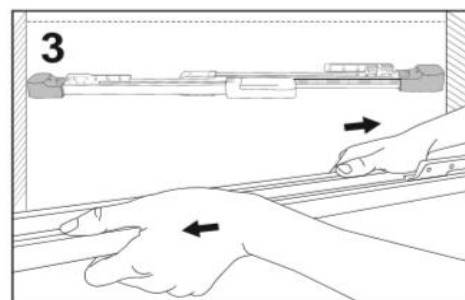
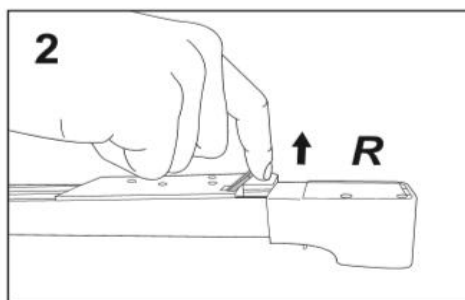
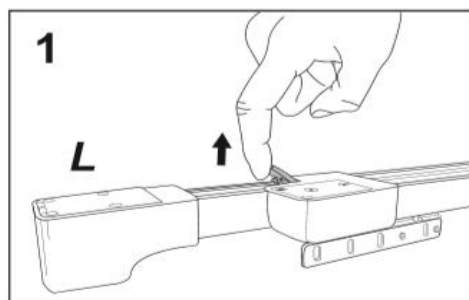
L type single open





# Smart Curtain Kit installation instructions

## track installation



## Smart Curtain Kit after sales

motor control direction (reverse)



When installed on the left, the direction of the motor curtain opening is opposite to the actual

When installed on the right, the direction of the motor curtain opening is correct

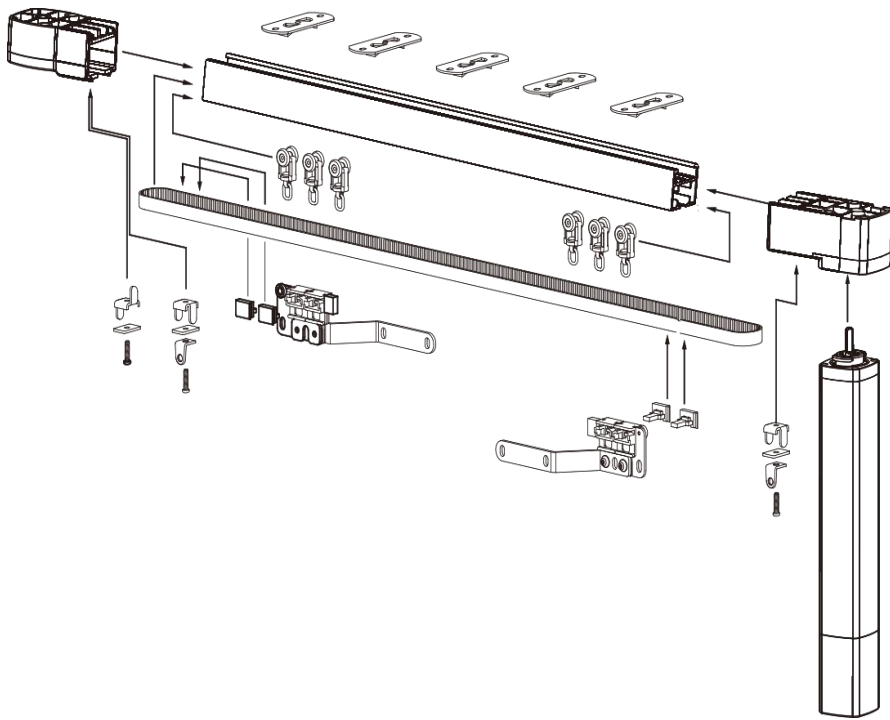
## Smart Curtain Kit after sales

LED motor distribution network, power on LED flashes



## Smart Curtain Kit after sales

how the motor remembers the stroke



1. After the motor is connected to the track, it turns to the collision position of the pulley for the first time / the end collision position is marked as the starting point
2. The number of laps memorized from the starting point to the position of the second collision is the entire trip
3. According to the lap ratio to achieve slow start and slow stop function, reduce the number of motor collisions, effectively extend the service life

After the motor is powered on for the first time, whether it is hand pull, remote control, or APP control, the motor will automatically remember the stroke when it is started for the first time.

## Smart Curtain Kit after sales

motor can not be controlled

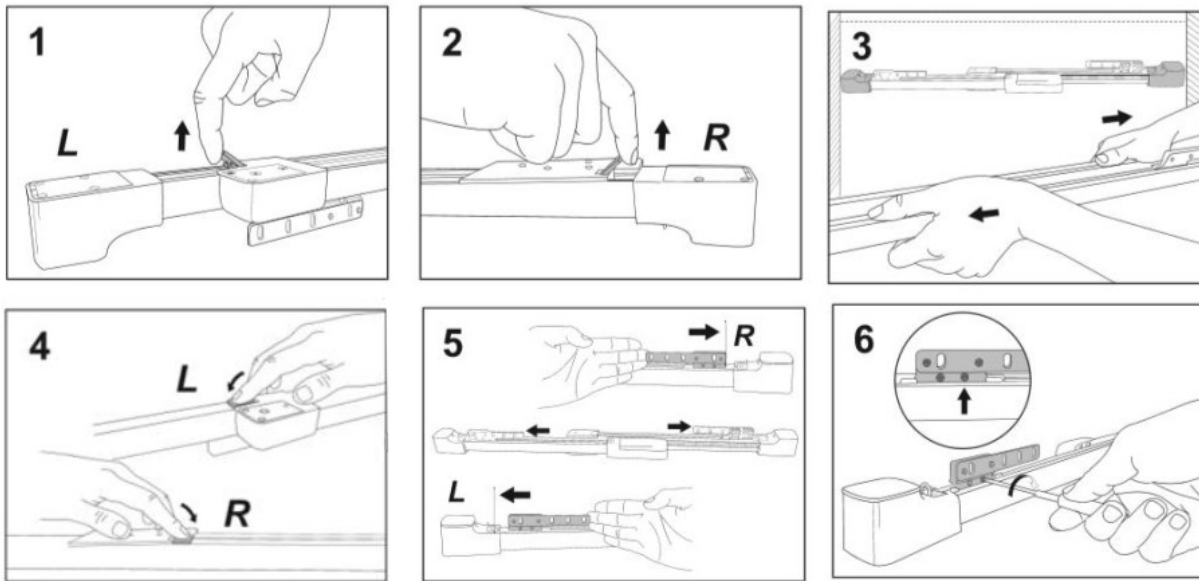
Troubleshooting method	priority		
Is it normal to start and close manually	1	NG	If all 5 are NG, you can directly consider returning to the factory.
The remote control controls whether the motor LED flashes red or the curtain moves	1	NG	
APP control, whether the motor LED flashes red or whether the curtain moves	1	NG	
Short press the motor button, whether the LED flashes red	1	NG	
After unplugging the power plug, let stand for 5S, power on again, whether the LED flash	1	NG	

## Smart Curtain Kit after sales

motor can not be controlled

Question	Reason	Elimination method
Remote control is invalid	Remote control setting error	After the motor clears the code, re-set the remote control
	battery is low	Replacement battery
	The remote control is too far away	Do not use it away from the remote control
	Signal interference	Eliminate sources of signal interference
Curtains closed	The remote control direction is not close to the direction of the curtain	Motor commutation
	Confusion	Restart after power off /Clear itinerary
	Curtain blocked	Check if there is any obstacle in the movement of the curtain
APP cannot control	The router network is normal	Is the router connected to the phone normal?
	Router name change	4 After short and long, whether the LED indicator corresponds to the prompt
	Router channel is occupied	Elimination method

## Possible problems with track installation:



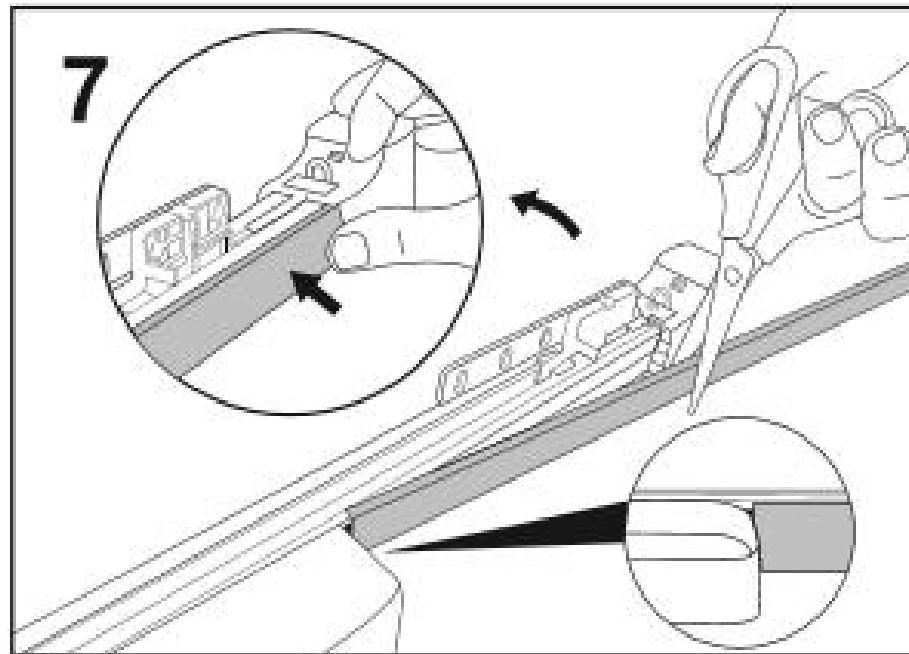
1. When the side is installed, he is not fastened properly.

However, after the motor is placed on the track it will cause the track to automatically expand and contract, and failure to prevent it in time will damage the track system

2. After adjusting the track length, the left and right pulleys must be moved to the end position. If it is not moved to the end position, it will cause the curtain to not close, and the long-term operation will damage the telescopic rail system and cause product problems.

3. There are two fixing screws on the auxiliary carriage. Mainly function as a fixed belt.

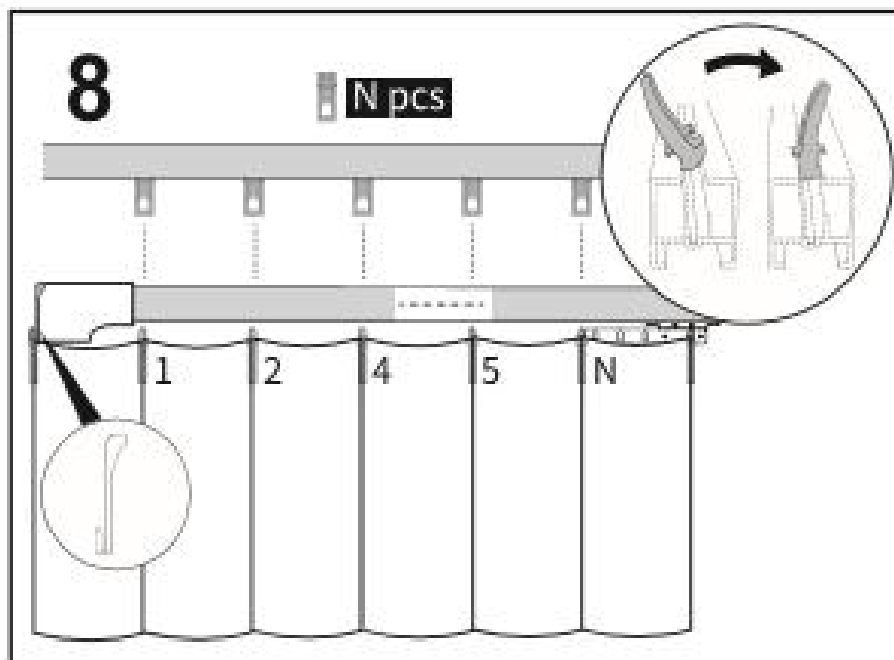
Possible problems with track installation:





## Smart Curtain Kit after sales

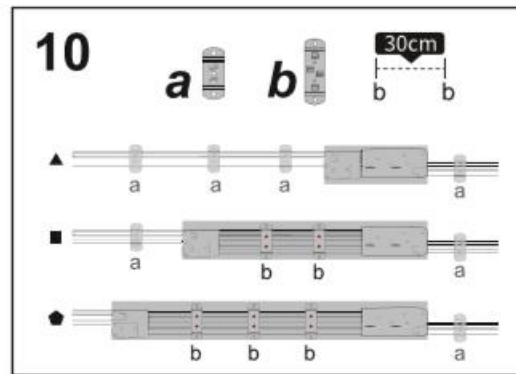
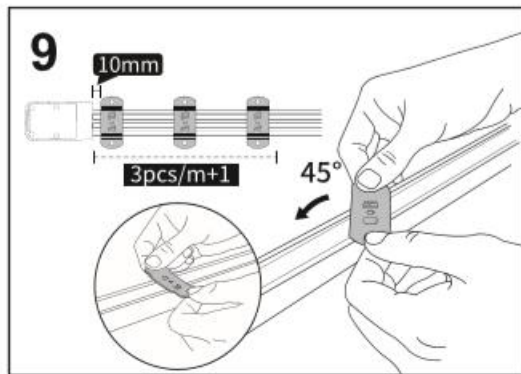
Possible problems with track installation:



The number of hanging wheels should be consistent with the number of curtain fabrics  
Try not to appear redundant.

## Smart Curtain Kit after sales

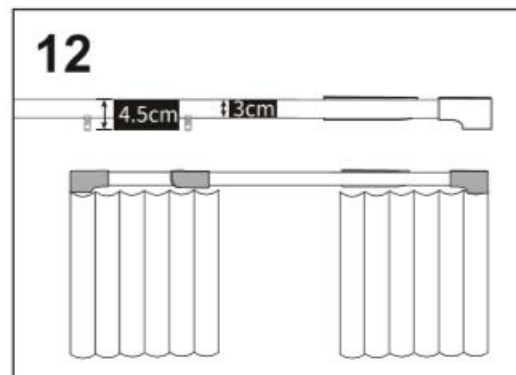
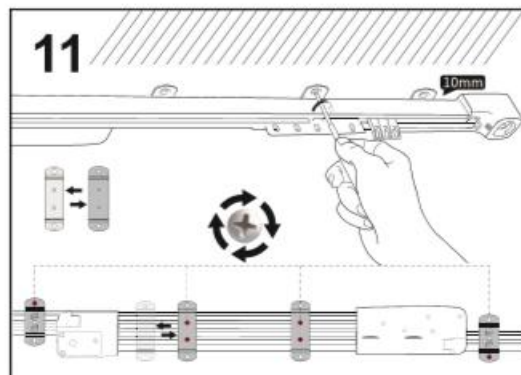
Possible problems with track installation:



The standard of the installation code is 30CM / PCS  
The unit installation code can also be installed on double digits.

The height of the track is 3CM, plus the hanging wheel is 4.5CM.

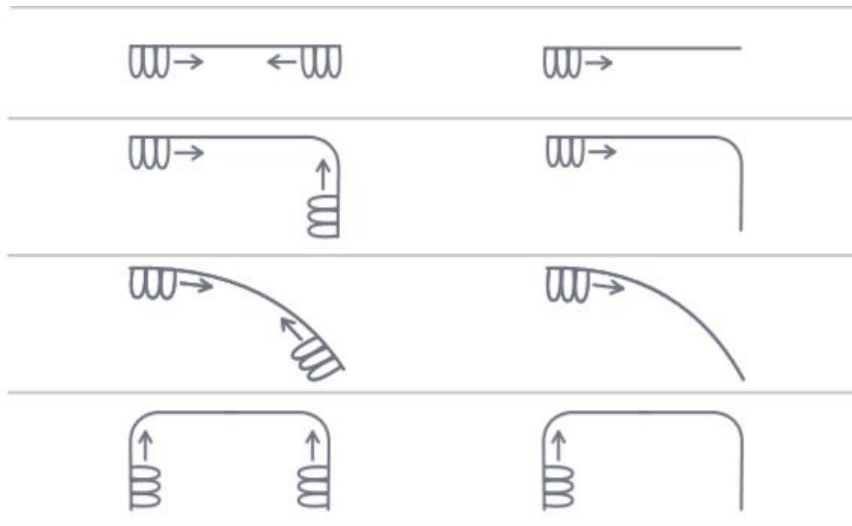
Pay attention when making curtain fabrics.



# Smart Curtain Kit after sales

Load table description:

Load table 1.0NM



4m	6m	8m	12m
40Kg	35Kg	25Kg	15Kg
30Kg	20Kg	—	—
30Kg	20Kg	—	—
20Kg	10Kg	—	—