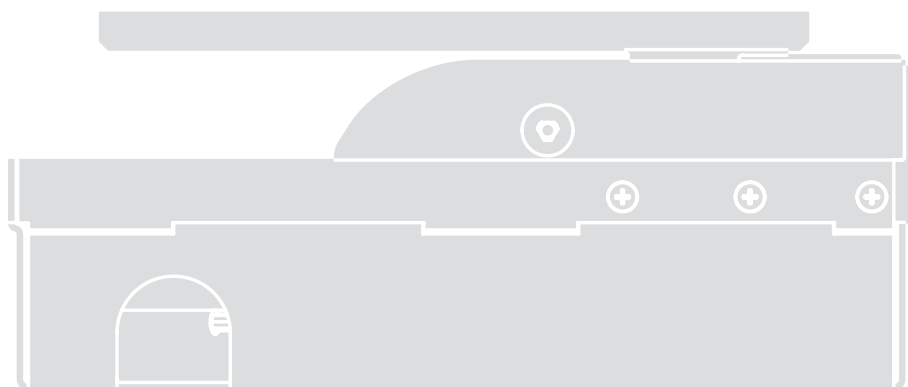


SFAB2024
SFAB2124



Swing gate opener

EN - Instructions and warnings for installation and use

IT - Istruzioni ed avvertenze per l'installazione e l'uso

FR - Instructions et avertissements pour l'installation et l'utilisation

ES - Instrucciones y advertencias para la instalación y el uso

DE - Installierungs-und Gebrauchsanleitungen und Hinweise

PL - Instrukcje i ostrzeżenia do instalacji i użytkowania

NL - Aanwijzingen en aanbevelingen voor installatie en gebruik

1 GENERAL SAFETY WARNINGS AND PRECAUTIONS

GENERAL WARNINGS

The following warnings are taken directly from the Regulations and apply, as far as possible, to the product described herein.

- **ATTENTION! - Important safety instructions. Follow all instructions as improper installation may cause serious damage.**
- **ATTENTION! - Important safety instructions. It is important for you to comply with these instructions for your own and other people's safety. Keep these instructions.**
- Before commencing the installation, check the "Technical characteristics" (in this manual), in particular whether this product is suitable for automating your guided part. If it is not suitable, DO NOT continue with the installation.
- The product cannot be used before it has been commissioned as specified in the chapter on "Testing and commissioning".
- **ATTENTION! - According to the most recent European legislation, the implementation of an automation system must comply with the harmonised standards provided by the Machinery Directive in force, which enables declaration of the presumed conformity of the automation. Taking this into account, all operations regarding connection to the electricity grid, as well as product testing, commissioning and maintenance, must be performed exclusively by a qualified and skilled technician!**
- Before proceeding with the installation of the product, check that all the materials are in good working order and suited to the intended applications.
- This product is not intended to be used by persons (including children) whose physical, sensory or mental capacities are reduced, or who lack the necessary experience or skill.
- Children must not play with the appliance.
- Do not allow children to play with the fixed control devices of the product. Keep the remote controls away from children.
- **ATTENTION! - In order to avoid any danger from inadvertent resetting of the thermal cut-off device, this appliance must not be powered through an external switching device, such as a timer, or connected to a supply that is regularly powered or switched off by the circuit.**
- Provide a disconnection device (not supplied) in the plant's power supply grid, with a contact opening distance permitting complete disconnection under the conditions dictated by overvoltage category III.
- Handle the product with care during installation, taking care to avoid crushing, denting or dropping it, or allowing contact with liquids of any kind. Keep the product away from sources of heat and naked flames. Failure to observe the above can damage the product, and increase the risk of danger or malfunction. Should this happen, stop installation immediately and contact Customer Service.
- The manufacturer assumes no liability for damage to property, items or persons resulting from non-compliance with the assembly instructions. In such cases the warranty for material defects is excluded.
- The weighted sound pressure level of the emission A is lower than 70 dB(A).
- Cleaning and maintenance to be carried out by the user must not be

- carried out by unsupervised children.
- Before working on the system (maintenance, cleaning), always disconnect the product from the mains power supply.
- Check the system periodically, in particular all cables, springs and supports to detect possible imbalances, signs of wear or damage. Do not use, if repairs or adjustments are necessary, since installation failure or an incorrectly balanced automation may cause injury.
- The packing materials of the product must be disposed of in compliance with local regulations.
- When operating a biased-off switch, make sure that other persons are kept away.
- When operating the gate, keep an eye on the automated mechanism and keep all bystanders at a safe distance until the movement has been completed.
- Do not operate the product if anyone is working nearby; disconnect its power supply before permitting such work to be done.
- If the power cable is damaged, it must be replaced by the manufacturer or by an appointed servicing company or similarly qualified person in order to prevent any form of risk.

INSTALLATION WARNINGS

- Prior to installing the drive motor, check that all mechanical components are in good working order and properly balanced, and that the automation moves correctly.
- If the gate or door being automated has a pedestrian gate, then the system must include a control device that will inhibit the operation of the motor when the pedestrian gate is open.
- Make sure that the control devices are kept far from moving parts but nonetheless in a visible position. Unless a selector is used, the control devices must be installed at a height of at least 1.5 m and must not be accessible.
- Ensure that entrapment between the driven part and the surrounding fixed parts due to the opening movement of the driven part is avoided.
- Permanently fix the label concerning the manual release adjacent to its actuating member.
- After installing the drive motor, make sure that the mechanism, protective system and all manual manoeuvres operate properly.

2 DESCRIPTION OF THE PRODUCT AND DESTINATION OF USE

This product is destined to be used to automate gates or doors with hinged panels, exclusively in the residential environment.

ATTENTION! - Any use different to that described and in environmental conditions different to those stated in this manual must be considered improper and prohibited!

The product is an electro-mechanical gear motor, with a 24 Vdc motor. The gear motor is powered by the external control unit, to which it must be connected.

If the electric energy is interrupted (black-out), the gate panels can be moved by releasing the gear motor using the relevant wrench; to perform the manual manoeuvre, see chapter 3.6.

The product is available in two versions:

- SFAB2024 without encoder, suitable for MC424 control units.
- SFAB2124 with encoder, suitable for MC824H control units.

ATTENTION! - Do not use gear motors with incompatible control units.

3 INSTALLATION

3.1 - Preliminary checks on installation

Before performing installation, check the integrity of the product components, the adequacy of the model chosen and the suitability of the environment destined for installation.

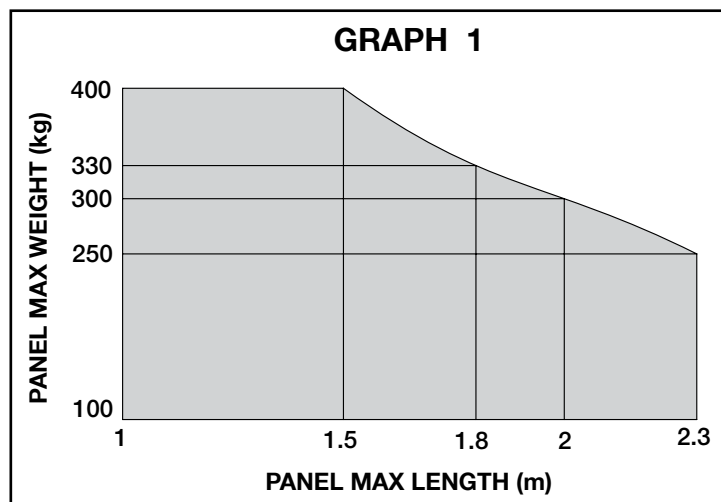
IMPORTANT - The gear motor cannot automate a manual gate that does not have an efficient and safe mechanical structure. Moreover, it cannot solve defects caused by incorrect installation or bad maintenance of the gate itself.

3.2 - Suitability of the gate to automate and the surrounding environment

- Check that the gate mechanical structure is suitable to be automated and complies with the Standards in force on the territory (if necessary, refer to the data given on the gate label).
- Moving the gate panel manually in Opening and in Closure, check that the movement takes place with the same and constant friction in all points of the run (there must not be moments of greater effort).
- Check that the gate panel stays in equilibrium, i.e. that it does not move if taken manually into any position and left.
- Check that the space around the gear motor allows to manually release the gate panels easily and safely.
- Envision end run retainers on the ground both for opening and closure of the gate.
- Check that the gear motor fixing area is compatible with the clearance of the latter (fig. 1).

3.3 - Limits of use for the product

Before installing the product, check that the gate panel has dimensions and weight that lie within the limits given in **graph 1**; also evaluate the climatic conditions (e.g. strong wind) present in the place of installation. They can greatly reduce the values given in the graph.



3.4 - Set-up for installation

Fig. 2 shows an example of automated plant realised with Nice components. These components are positioned according to the typical and usual layout. With reference to **fig. 2**, establish the approximate position where each component envisioned in the plant will be installed and the most appropriate connection layout.

Components useful for realising a complete plant (fig. 2):

- A - Electro-mechanical gear motors
- B - Control unit
- C - Pair of photocells
- D - Columns for pairs of photocells (C)
- E - Flashing signal with antenna incorporated
- F - Digital keyboard
- G - Pair of mechanical stops in opening and closure
- H - Key selector switch

3.5 - Installation

01. Carry out large foundation excavations, for positioning the foundation case (**fig. 3**): envison a drain pipe for the water in order to prevent stagnation.
02. Place the foundation case in the excavated area, with the hole aligned with the axis of the upper hinge (**fig. 4**).
03. Envision a conduit for the passage of the power input cable and one for draining the water.
04. Sink the foundation case in the concrete, making sure that it is perfectly level (**fig. 5**).
05. At this point, make 3 threaded holes M10 on the lower part of the panel with minimum depth of 15 mm (**fig. 6**). **Note** – As an alternative to the screws, it is possible to fix the panel hitching lever with strong welding;
06. Fix the panel hitching lever using 3 screws (**fig. 6**).
07. **IMPORTANT! – Lubricate the foundation case bush (fig. 7).**
08. Insert the hitching lever already fixed to the panel into the foundation case bush (**fig. 8**). **VERY IMPORTANT – Check that the door is firmly secured to the hinges on the column/wall so that it CANNOT BE LIFTED (fig. 8-A).** This is to ensure correct contact with the drive shaft gears.
09. If the gate has its own mechanical stops (**fig. 2 - G**) pass directly to point

10. Otherwise, if the gate does not have its own mechanical stops or if at end run all of the motor thrust is not to be applied to the panel, it is possible to use the end runs inside the gear motor and proceed as follows:

a) Insert the regulation dowels (for the opening and closing end run) in the holes prepared on the foundation case:

- **Panel opening to 90°:** see **fig. 9** for the left and right panel.

- **Panel opening to 180°:** see **fig. 10**.

b) Regulation of the end run (opening and closure): activate the end runs until the desired stop point in opening and closure is reached. Finally, add the nuts and if the end run positions are correct, tighten the nuts well (**fig. 11**).

10. At this point, insert the motor inside the foundation case, pushing it to the end of the case aligning the fixing holes present on the gear motor with those of the case itself (**fig. 12**).
11. Insert the supplied screw fasteners into the holes (**fig. 13**) and tighten them slightly until the gear motor is slightly raised with respect to the bottom of the case.
12. Now move the panel slowly to allow engagement with the motor and then tighten the screw fasteners fully home (**fig. 14**).
13. Pass the power input cable through a previously prepared raceway (**fig. 15**): to make the electric connection to the control unit, see chapter 4 and refer to the control unit manual.
14. Position three lids "A, B, C" respecting the following circuit:
 - a) Place the upper lid "A" on the foundation case and run it to stop (**fig. 16 - 1**), Insert lid "B" into the slot at the same time (**fig. 16 - 2**).
 - b) Fix lid "A" using the 3 supplied screws (**fig. 16 - 3**).
 - c) Fix the lower lid "C" using the screws supplied (**fig. 16 - 4 and 5**).

3.6 - Manual release and block of the gear motor

To release and block the gear motor, use the supplied triangular spanner:

• Release:

01. Insert the wrench into one of the 2 lateral holes present on the upper lid and turn it 180°, indifferently in one of the two directions (**fig. 17**).
02. Move the panel manually and take it to the desired position.

• Block:

01. Insert the wrench into one of the 2 lateral holes and turn it 180° indifferently in one of the two directions (**fig. 17**).
02. The panel will block at the first manoeuvre commanded by the control unit.

4 ELECTRIC CONNECTIONS

Recommendations:

- The gear motor is supplied with an electric power input cable measuring 2 m. Therefore, if a greater distance must be covered to perform the electric connections, a diversion box must be used (not supplied). **IMPORTANT! – It is prohibited to join the electric cable inside the foundation case.**
- **Make the electric connections with the mains power input disconnected.**

To connect the power input cable to the control unit, see the manual regarding the latter and the following indications:

WIRE	CONNECTION
Blu wire	24 V motor power input
Brown wire	24 V motor power input
Black wire	Encoder (SFAB2124 version only)
Grey wire	Encoder (SFAB2124 version only)
Yellow-green wire	Earth

5 INSPECTION AND COMMISSIONING

ATTENTION! – The operations described in this chapter must only be performed by qualified and skilled staff, respecting the instructions in the manual, the laws and the Safety Standards in force on the territory.

This is the most important phase in the realisation of the automation, in order to guarantee maximum safety of the system. The inspection procedure described can also be used to periodically check the devices that make up the automation. The inspection phases and commissioning of the automation must be performed by qualified and expert staff that must establish the tests necessary to check the solutions used regarding the risks present and to check respect with that envisioned by the Laws, Standards and Regulations: particularly, all requisites of the EN 13241-1 Standard, which establishes the test methods for checking the gate automations.

ATTENTION! – Before carrying out any check, disconnect any electrical power input source.

5.1 - Inspection

Each individual component of the automation, e.g. sensitive edges, photocells, emergency stop etc requires a specific inspection phase. For these devices the procedures given in the respective instruction manuals must be performed. For the SFAB(...) inspection, proceed as follows:

- 1 Check that everything envisioned in chapter 1 - General safety warnings and precautions, is rigorously respected.
- 2 Close the gate.
- 3 Remove any electric power input source to the control unit.
- 4 Release the gear motor using the relative wrench, see paragraph 3.6.
- 5 Open the panel manually until the maximum opening position is reached and check that there is no friction during the movement.
- 6 Check that the panel, left in any position of its run, does not move.
- 7 Check that the safety systems and the mechanical stops are in good working order.
- 8 Check that the screw connections are well-fastened.
- 9 If necessary, clean the inside of the foundation case and check that the water drain functions correctly.
- 10 Block the gear motor using the relative wrench, see paragraph 3.6.
- 11 Apply the electric power input to the control unit.
- 12 Measure the impact force according to the EN 12445 and EN 12453 standards. If the control of the “driving force” is used by the control unit as an auxiliary to the system for the reduction of the force of impact, try and adjust the functions that offer better parameters.
- 13 Permanently fix a label, which describes how to manually release the gear motor, in a zone adjacent to the automation.

5.2 - Commissioning

Commissioning can only be performed after all of the inspection phases of the gear motor and other devices present have been performed with positive results. For commissioning refer to the control unit instruction manual.

IMPORTANT – Partial commissioning or in “temporary” situations is prohibited.

6 PRODUCT MAINTENANCE

Maintenance must be performed in strict observance of the safety provisions in this manual and according to current legislation and standards.

The automation devices do not require special maintenance. However a check should be performed at least every six months to ensure complete efficiency of all devices.

For this purpose, the tests and checks envisaged in paragraph 5.1 “Testing” should all be performed, as well as all procedure in the paragraph “Maintenance operations permitted for the user”.

If other devices are present, follow the instructions in the relative maintenance schedule.

DISPOSAL OF THE PRODUCT

This product is an integral part of the automation and therefore must be demolished with it.

As for installation, the plant must also be demolished by qualified staff at the end of its life span.

This product is made up of various types of materials: some can be re-cycled, others must be disposed of. Obtain information regarding recycling or disposal systems envisioned by the Standards in force on your territory for this category of product.

Attention! – some parts of the product can contain pollutant or dangerous substances which, if dispersed into the environment, could have damaging effects on the same and human health.

As indicated by the symbol at the side, it is prohibited to throw this product into domestic waste. “Separate collection” must be performed for disposal, according to the methods envisioned by the Regulations in force on your territory or take the product back to your dealer on the purchase of a new equivalent product.



Attention! – local regulations in force may envision heavy sanctions if this product is disposed of abusively.

PRODUCT TECHNICAL FEATURES

RECOMMENDATIONS: • All technical features stated make reference to a room temperature of 20°C (± 5°C). • Nice S.p.A. reserves the right to modify the product at any time it deems necessary, however maintaining the same functionality and destination of use.

- **Type:** Electro-mechanical gear motors for gates and doors with hinged panels
- **Power input:** 24 V $\overline{\text{---}}$
- **Peak absorption:** 5 A
- **Maximum absorption:** 2 A
- **Peak power:** 120 W
- **Maximum power:** 50 W
- **Protection rating:** IP 67
- **Run:** from 0° to 90° (±10°) or from 0° to 180° (±10°) [intermediate openings between 90° and 180° are not possible]
- **Idle speed:** 1.25 rpm
- **Speed at nominal torque:** 1 rpm
- **Maximum torque:** 250 Nm
- **Nominal torque:** 120 Nm
- **Functioning temperature:** -20 °C ... +50 °C
- **Cycles/hour at the nominal torque:** 60
- **Duration:** Estimated between about 80.000 and 200.000 manoeuvre cycles, according to the conditions given in Table 1
- **Dimensions:** 230 mm x 206 mm x h 88 mm
- **Weight:** 15 kg (gear motor with foundation space)

Product duration

The duration and average economic life of the product. The value of duration is strongly affected by the fatigue index of the manoeuvres performed by the automation: i.e. the sum of all factors that contribute to wear of the product (see Table 1).

The estimation of duration is made on the basis of the design calculations and the test results performed on prototypes. In fact, as it is an estimate, it does not represent any guarantee regarding the effective duration of the product.

To establish the probable duration of your automation, proceed as follows:

01. Calculate the fatigue index by adding the percentage values of the items present in **Table 1**.
02. In **Graph A** of the value just found, trace a vertical line that crosses the curve; from this point trace a horizontal line until the "manoeuvre cycles" line is crossed. The value determined is the estimated duration of your product.

Example of the duration calculation of an SFAB(...) gear motor.
Refer to **Table 1** and **Graph A**:

- 1) - Panel length: 1.7 m
- 2) - Panel weight: 200 kg = fatigue index: 20%.
- 3) - Installation in windy areas = fatigue index: 15%.
- 4) - Does not have other elements of fatigue.

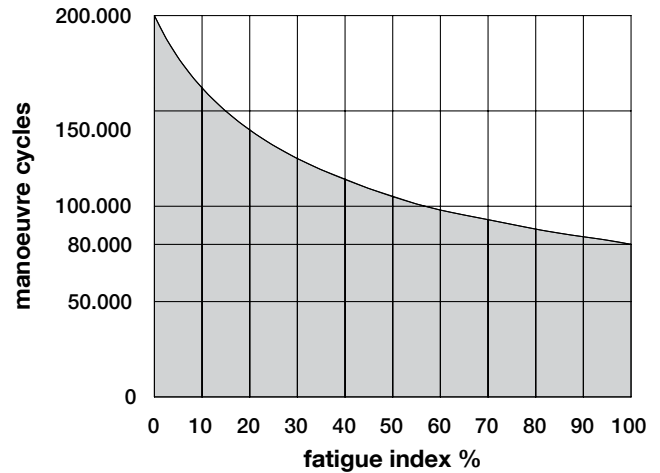
Total fatigue index = 35%

Estimated duration = 120.000 manoeuvre cycles

TABLE 1

Length of the panel (m)	≥ 1.50	1.51 ÷ 1.80	1.81 ÷ 2.00	2.01 ÷ 2.30
Weight of the panel (kg)	Fatigue index			
≤ 100	0 %	10 %	20 %	30 %
101 ÷ 250	10 %	20 %	30 %	40 %
251 ÷ 300	20 %	30 %	40 %	50 %
301 ÷ 330	30 %	40 %	50 %	–
331 ÷ 400	40 %	50 %	–	–
Environmental temperature exceeding 40°C or below 0°C or humidity exceeding 80%				15 %
Blind panel				15 %
Installation in windy area				15 %

GRAPH A



CE declaration of conformity and declaration of incorporation of "partly-completed machinery"

Declaration in accordance with Directives: 2014/30/UE (EMC); 2006/42/EC (MD) annex II, part B.

Note - The content of this declaration corresponds to the declaration made in the official document filed in the offices of Nice S.p.A., and particularly the latest version thereof available prior to the printing of this manual. The text contained here has been adapted to meet editorial requirements. A copy of the original declaration may be requested from Nice S.p.A. (TV) Italy.

Declaration number: **320/XFAB** Revision: **8** Language: **EN**

Name of manufacturer: NICE S.p.A.

Address: Via Pezza Alta N°13, 31046 Rustignè di Oderzo (TV) Italy.

Person authorized to provide technical documentation: NICE S.p.A. – Via Pezza Alta N°13, 31046 Rustignè di Oderzo (TV) Italy.

Product type: Underground 24Vd.c. electro-mechanical gear motor for swing gates.

Model / Type: SFAB2024, SFAB2124

Accessories:

The undersigned Roberto Griffa, as Chief Executive Officer, hereby declares under his own responsibility that the products identified above comply with the provisions of the following directives:

- DIRECTIVE 2014/30/UE OF THE EUROPEAN PARLIAMENT AND COUNCIL of February 26 2014 concerning alignment of Member States' legislation regarding electromagnetic compatibility (consolidated text), according to the following harmonized standards: EN 61000-6-2:2005; EN 61000-6-3:2007 + A1:2011.

The product also complies with the following directive in accordance with the requirements for "quasi-machines":

- Directive 2006/42/EC OF THE EUROPEAN PARLIAMENT AND COUN-

CIL of May 17 2006 regarding machines and amending directive 95/16/EC (consolidated text).

- I declare that the pertinent technical documentation has been prepared in accordance with Annex VII B to Directive 2006/42/EC and that the following essential requirements have been met: 1.1.1 - 1.1.2 - 1.1.3 - 1.2.1 - 1.2.6 - 1.5.1 - 1.5.2 - 1.5.5 - 1.5.6 - 1.5.7 - 1.5.8 - 1.5.10 - 1.5.11.
- The manufacturer agrees to send the national authorities pertinent information on the "quasi-machine" in response to a motivated request without affecting its intellectual property rights.
- If the "quasi-machine" is operated in a European country with an official language other than the language used in this declaration, the importer must associate a translation with this declaration.
- The "quasi-machine" must not be operated until the final machine in which it is to be incorporated is declared to conform to the provisions of Directive 2006/42/EC, if applicable to it.

The product also complies with the following standards: EN 60335-1:2002 + A1:2004 + A11:2004 + A12:2006 + A2:2006 + A13:2008 + A14:2010 + A15:2011, EN 60335-2-103:2003+A11:2009, EN 62233:2008

The parts of the product which are subject to the following standards comply with them: EN 13241-1:2003+A1:2011, EN 12445:2000, EN 12453:2000, EN 12978:2003+A1:2009

Oderzo, January 23, 2017

Eng. **Roberto Griffa**
(Chief Executive Officer)

1 AVVERTENZE E PRECAUZIONI GENERALI PER LA SICUREZZA

AVVERTENZE GENERALI

Le seguenti avvertenze sono trascritte direttamente dalle Norme e per quanto possibile, applicabili al prodotto in oggetto.

- **ATTENZIONE!** - Istruzioni importanti per la sicurezza. Seguire tutte le istruzioni poiché l'installazione non corretta può causare gravi danni.
- **ATTENZIONE!** - Istruzioni importanti per la sicurezza. Per la sicurezza delle persone è importante seguire queste istruzioni. Conservare queste istruzioni.
- Prima di iniziare l'installazione verificare le "Caratteristiche tecniche del prodotto", in particolare se il presente prodotto è adatto ad automatizzare la vostra parte guidata. Se non è adatto, NON procedere all'installazione.
- Il prodotto non può essere utilizzato prima di aver effettuato la messa in servizio come specificato nel capitolo "Collaudo e messa in servizio".
- **ATTENZIONE!** - Secondo la più recente legislazione europea, la realizzazione di un'automazione deve rispettare le norme armonizzate previste dalla Direttiva Macchine in vigore, che consentono di dichiarare la presunta conformità dell'automazione. In considerazione di ciò, tutte le operazioni di allacciamento alla rete elettrica, di collaudo, di messa in servizio e di manutenzione del prodotto devono essere effettuate esclusivamente da un tecnico qualificato e competente!
- Prima di procedere con l'installazione del prodotto, verificare che tutto il materiale da utilizzare sia in ottimo stato ed adeguato all'uso.
- Il prodotto non è destinato a essere usato da persone (bambini compresi) le cui capacità fisiche, sensoriali o mentali siano ridotte, oppure con mancanza di esperienza o di conoscenza.
- bambini non devono giocare con l'apparecchio.
- Non permettere ai bambini di giocare con i dispositivi di comando del prodotto. Tenere i telecomandi lontano dai bambini.
- **ATTENZIONE!** - Al fine di evitare ogni pericolo dovuto al riarmo accidentale del dispositivo termico di interruzione, questo apparecchio non deve essere alimentato con un dispositivo di manovra esterno, quale un temporizzatore, oppure essere connesso a un circuito che viene regolarmente alimentato o disalimentato dal servizio.
- Nella rete di alimentazione dell'impianto prevedere un dispositivo di disconnessione (non in dotazione) con una distanza di apertura dei contatti che consenta la disconnessione completa nelle condizioni dettate dalla categoria di sovratensione III.
- Durante l'installazione maneggiare con cura il prodotto evitando schiacciamenti, urti, cadute o contatto con liquidi di qualsiasi natura. Non mettere il prodotto vicino a fonti di calore, né esporlo a fiamme libere. Tutte queste azioni possono danneggiarlo ed essere causa di malfunzionamenti o situazioni di pericolo. Se questo accade, sospendere immediatamente l'installazione e rivolgersi al Servizio Assistenza.
- Il produttore non si assume alcuna responsabilità per danni patrimoniali, a cose o a persone derivanti dalla non osservanza delle istruzioni di montaggio. In questi casi è esclusa la garanzia per difetti materiali.
- Il livello di pressione acustica dell'emissione ponderata A è inferiore a 70 dB(A).
- La pulizia e la manutenzione destinata ad essere effettuata dall'utilizzatore non deve essere effettuata da bambini senza sorveglianza.

- Prima degli interventi sull'impianto (manutenzione, pulizia), disconnettere sempre il prodotto dalla rete di alimentazione.
- Verificare frequentemente l'impianto, in particolare controllare i cavi, le molle e i supporti per rilevare eventuali sbilanciamenti e segni di usura o danni. Non usare se è necessaria una riparazione o una regolazione, poiché un guasto all'installazione o un bilanciamento della porta non corretto possono provocare lesioni.
- Il materiale dell'imballo del prodotto deve essere smaltito nel pieno rispetto della normativa locale.
- Tenere le persone lontane dalla porta quando questa viene movimentata mediante gli elementi di comando.
- Durante l'esecuzione della manovra controllare l'automazione e mantenere le persone lontano da essa, fino al termine del movimento.
- Non comandare il prodotto se nelle sue vicinanze ci sono persone che svolgono lavori sull'automazione; scollegate l'alimentazione elettrica prima di far eseguire questi lavori.
- Se il cavo di alimentazione è danneggiato, esso deve essere sostituito dal costruttore o dal suo servizio di assistenza tecnica o comunque da una persona con qualifica simile, in modo da prevenire ogni rischio.

AVVERTENZE INSTALLAZIONE

- Prima di installare il motore di movimentazione, controllare che tutti gli organi meccanici siano in buone condizioni, regolarmente bilanciati e che la porta possa essere manovrata correttamente.
- Se il cancello da automatizzare è dotato di una porta pedonale occorre predisporre l'impianto con un sistema di controllo che inibisca il funzionamento del motore quando la porta pedonale è aperta.
- Assicurarsi che gli elementi di comando siano tenuti lontani dagli organi in movimento consentendone comunque una visione diretta. Almeno che non si utilizzi un selettore, gli elementi di comando vanno installati ad un'altezza minima di 1.5 m e non devono essere accessibili.
- Prevenire ed evitare ogni forma di intrappolamento tra le parti in movimento e quelle fisse durante le manovre.
- Apporre in modo fisso e permanente l'etichetta riguardante la manovra manuale vicino all'elemento che consente la manovra stessa.
- Dopo aver installato il motore di movimentazione assicurarsi che il meccanismo, il sistema di protezione ed ogni manovra manuale funzionino correttamente.

2 DESCRIZIONE DEL PRODOTTO E DESTINAZIONE D'USO

Il presente prodotto è destinato ad essere utilizzato per automatizzare cancelli o portoni ad ante battenti, in ambito esclusivamente residenziale.

ATTENZIONE! - Qualsiasi altro uso diverso da quello descritto e in condizioni ambientali diverse da quelle riportate in questo manuale è da considerarsi improprio e vietato!

Il prodotto è un motoriduttore elettromeccanico, provvisto di un motore in corrente continua a 24 V. Il motoriduttore viene alimentato dalla centrale di comando esterna a cui deve essere collegato.

In caso d'interruzione dell'energia elettrica (black-out), è possibile muovere le ante del cancello sbloccando il motoriduttore con l'apposita chiave; per eseguire la manovra manuale vedere capitolo 3.6.

Il prodotto è disponibile in 2 versioni:

- SFAB2024 senza encoder, adatto per centrali modello MC424.
- SFAB2124 con encoder, adatto per centrali modello MC824H.

ATTENZIONE! - Non utilizzare i motoriduttori con centrali non compatibili.

3 INSTALLAZIONE

3.1 - Verifiche preliminari all'installazione

Prima di procedere all'installazione, è necessario verificare l'integrità dei componenti del prodotto, l'adeguatezza del modello scelto e l'idoneità dell'ambiente destinato all'installazione.

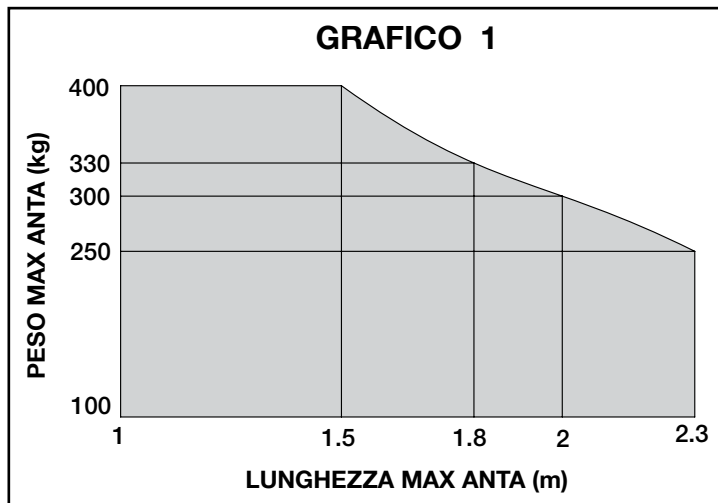
IMPORTANTE - Il motoriduttore non può automatizzare un cancello manuale che non abbia una struttura meccanica efficiente e sicura. Inoltre, non può risolvere i difetti causati da una sbagliata installazione o da una cattiva manutenzione del cancello stesso.

3.2 - Idoneità del cancello da automatizzare e dell'ambiente circostante

- Verificare che la struttura meccanica del cancello sia adatta ad essere automatizzata e conforme alle norme vigenti sul territorio (eventualmente fare riferimento ai dati riportati sull'etichetta del cancello).
- Muovendo manualmente l'anta del cancello in Apertura e in Chiusura, verificare che il movimento avvenga con attrito uguale e costante in ogni punto della corsa (non devono esserci momenti di maggiore sforzo).
- Verificare che l'anta del cancello resti in equilibrio, cioè che non si muova se portata manualmente in una qualsiasi posizione e lasciata ferma.
- Verificare che lo spazio intorno al motoriduttore consenta di sbloccare manualmente le ante del cancello, in modo facile e sicuro.
- Prevedere dei fermi di finecorsa a terra sia per l'apertura sia per la chiusura del cancello.
- Verificare che la zona di fissaggio del motoriduttore sia compatibile con l'ingombro di quest'ultimo (fig. 1).

3.3 - Limiti d'impiego del prodotto

Prima di eseguire l'installazione del prodotto, verificare che l'anta del cancello abbia dimensioni e peso rientranti nei limiti riportati nel grafico 1; valutare anche le condizioni climatiche (es. vento forte) presenti nel luogo d'installazione, possono ridurre notevolmente i valori riportati nel grafico.



3.4 - Lavori di predisposizione all'installazione

La fig. 2 mostra un esempio di impianto di automatizzazione realizzato con componenti Nice. Questi componenti sono posizionati secondo uno schema tipico ed usuale.

Facendo riferimento alla fig. 2, stabilire la posizione approssimativa in cui verrà installato ciascun componente previsto nell'impianto e lo schema di collegamento più appropriato.

Componenti utili per realizzare un impianto completo (fig. 2):

- A - Motoriduttori elettromeccanici
- B - Centrale di comando
- C - Coppia di fotocellule
- D - Colonne per coppia di fotocellule (C)
- E - Segnalatore lampeggiante con antenna incorporata
- F - Selettore a chiave o tastiera digitale
- G - Coppia di arresti meccanici in apertura e in chiusura
- H - Selettore a chiave

3.5 - Installazione

01. Eseguire uno scavo di fondazione di dimensioni generose, per collocare la cassa di fondazione (fig. 3); prevedere una conduttura di scarico per il drenaggio dell'acqua per evitarne il ristagno.
02. Collocare la cassa di fondazione all'interno dello scavo, con il foro allineato all'asse della cerniera superiore (fig. 4).
03. Prevedere un condotto per il passaggio del cavo di alimentazione e uno per il drenaggio dell'acqua.
04. Annegare nel calcestruzzo la cassa di fondazione, avendo cura di metterla perfettamente in bolla (fig. 5).
05. A questo punto, sulla parte inferiore dell'anta, effettuare 3 fori filettati M10 con profondità minima di 15 mm (fig. 6). **Nota** - In alternativa alle viti, è possibile fissare la leva di aggancio per l'anta con una saldatura robusta.
06. Fissare la leva di aggancio per l'anta utilizzando 3 viti (fig. 6).
07. **IMPORTANTE!** - Lubrificare la bronzina della cassa di fondazione (fig. 7).
08. Inserire nella bronzina della cassa di fondazione, la leva di aggancio già fissata all'anta (fig. 8). **MOLTO IMPORTANTE** - Controllare che l'anta sia ben fissata ai cardini della colonna/muro in modo che NON POSSA ESSERE SOLLEVATA (fig. 8-A). Questo per garantire il corretto contatto

con gli ingranaggi dell'albero motore.

09. Se il cancello dispone di propri arresti meccanici (fig. 2 - G) passare direttamente al punto 10. Altrimenti, se il cancello è sprovvisto di propri arresti meccanici oppure non si desidera che a finecorsa, tutta la spinta del motore sia applicata all'anta, è possibile utilizzare i finecorsa interni al motoriduttore e procedere come segue:
 - a) Inserire i grani di regolazione (sia per il finecorsa in apertura sia in chiusura) nei fori predisposti presenti sul supporto della cassa di fondazione:
 - **Apertura anta a 90°:** vedere fig. 9 per l'anta sinistra e per l'anta destra.
 - **Apertura anta a 180°:** vedere fig. 10.
 - b) **Regolazione dei finecorsa (apertura e chiusura):** avvitare i finecorsa fino al raggiungimento del punto di battuta desiderato sia in apertura sia in chiusura; infine, aggiungere i dadi e se le posizioni dei finecorsa sono corrette, serrare con forza i dadi (fig. 11).
10. A questo punto, inserire il motore all'interno della cassa di fondazione spingendolo fino alla fine della cassa e in modo tale da far combaciare i fori di fissaggio presenti sul motoriduttore con quelli della cassa stessa (fig. 12).
11. Inserire nei fori le viti di fissaggio in dotazione (fig. 13) e avvitarle leggermente fino a quando il motoriduttore si trova leggermente alzato rispetto al fondo della cassa.
12. Quindi, muovere lentamente l'anta per consentire l'innesto con il motore e poi stringere a fondo le viti di fissaggio (fig. 14).
13. Far passare il cavo di alimentazione attraverso la canalina precedentemente predisposta (fig. 15); per effettuare il collegamento elettrico alla centrale vedere capitolo 4 e fare riferimento al manuale della centrale stessa.
14. Posizionare i tre coperchi "A, B, C" rispettando la sequenza di seguito:
 - a) Appoggiare il coperchio superiore "A" alla cassa di fondazione e farlo scorrere fino alla battuta (fig. 16 - 1), contemporaneamente inserire nella fessura il coperchio "B" (fig. 16 - 2).
 - b) Fissare il coperchio "A" con le 3 viti in dotazione (fig. 16 - 3).
 - c) Fissare il coperchio inferiore "C" utilizzando la vite in dotazione (fig. 16 - 4 e 5).

3.6 - Sblocco e blocco manuale del motoriduttore

Per sbloccare e bloccare il motoriduttore, utilizzare la chiave triangolare in dotazione:

• Sblocco:

01. Inserire la chiave in uno dei 2 fori laterali presenti sul coperchio superiore e ruotarla di 180°, indifferentemente in uno dei due sensi (fig. 17).
02. Muovere manualmente l'anta e portarla nella posizione desiderata.

• Blocco:

01. Inserire la chiave in uno dei 2 fori predisposti e ruotarla di 180°, indifferentemente in uno dei due sensi (fig. 17).
02. L'anta si bloccherà alla prima manovra comandata dalla centrale.

4 COLLEGAMENTI ELETTRICI

Avvertenze:

- Il motoriduttore è fornito con un cavo di alimentazione elettrica lungo 2 m. Quindi, se si necessita di coprire una distanza maggiore per eseguire i collegamenti elettrici, è necessario utilizzare una scatola di derivazione (non fornita). **IMPORTANTE!** - È vietato eseguire aggiunte di cavo elettrico all'interno della cassa di fondazione.

- Eseguire i collegamenti elettrici con l'alimentazione di rete scollegata.

Per collegare il cavo di alimentazione alla centrale di comando vedere il manuale di quest'ultima e le seguenti indicazioni:

FILO	COLLEGAMENTO
filo Blu	Alimentazione motore 24 V
filo Marrone	Alimentazione motore 24 V
filo Nero	Encoder (solo versione SFAB2124)
filo Grigio	Encoder (solo versione SFAB2124)
filo Giallo-verde	Terra

5 COLLAUDO E MESSA IN SERVIZIO

ATTENZIONE! – Le operazioni descritte in questo capitolo devono essere eseguite esclusivamente da personale qualificato ed esperto, rispettando le istruzioni del manuale, le leggi e le normative di sicurezza vigenti sul territorio.

Questa è la fase più importante nella realizzazione dell'automazione, al fine di garantire la massima sicurezza dell'impianto. La procedura di collaudo descritta può essere usata anche per verificare periodicamente i dispositivi che compongono l'automazione.

Le fasi del collaudo e della messa in servizio dell'automazione devono essere eseguite da personale qualificato ed esperto che dovrà farsi carico di stabilire le prove necessarie a verificare le soluzioni adottate nei confronti dei rischi presenti, e di verificare il rispetto di quanto previsto da leggi, normative e regolamenti: in particolare, di tutti i requisiti della norma EN 13241-1 che stabilisce i metodi di prova per la verifica degli automatismi per cancelli.

ATTENZIONE! – Prima di eseguire qualsiasi verifica è necessario scollegare qualsiasi sorgente di alimentazione elettrica.

5.1 - Collaudo

Ogni singolo componente dell'automazione, ad esempio bordi sensibili, fotocellule, arresto di emergenza, ecc. richiede una specifica fase di collaudo; per questi dispositivi si devono eseguire le procedure riportate nei rispettivi manuali istruzioni.

Per il collaudo di SFAB(...), procedere nel modo seguente:

- 1 Verificare che sia stato rispettato rigorosamente, in materia di sicurezza, quanto previsto nel capitolo 1 - Avvertenze e precauzioni generali per la sicurezza.
- 2 Portare il cancello in posizione di chiusura.
- 3 Togliere qualsiasi sorgente di alimentazione elettrica alla centrale di comando.
- 4 Sbloccare il motoriduttore con l'apposita chiave, vedere paragrafo 3.6.
- 5 Aprire manualmente l'anta fino a raggiungere la posizione di massima apertura e verificare che durante il suo movimento non ci siano punti d'attrito.
- 6 Verificare che l'anta, lasciata ferma in una qualsiasi posizione della sua corsa, non si muova.
- 7 Verificare che i sistemi di sicurezza e gli arresti meccanici siano in buono stato.
- 8 Verificare che i collegamenti a vite siano avvitati ben stretti.
- 9 Se necessario pulire l'interno della cassa di fondazione e verificare che lo scarico dell'acqua funzioni correttamente.
- 10 Bloccare il motoriduttore con l'apposita chiave, vedere paragrafo 3.6.
- 11 Dare alimentazione elettrica alla centrale di comando.
- 12 Eseguire la misura della forza d'impatto secondo quanto previsto dalle norme EN 12445 ed EN 12453. Se il controllo della "forza motore" viene usato dalla Centrale come ausilio al sistema per la riduzione della forza di impatto, provare a regolare le funzioni che offrono parametri migliori.
- 13 Fissare in modo permanente, in una zona adiacente all'automazione, un'etichetta che descrive come sbloccare manualmente il motoriduttore.

5.2 - Messa in servizio

La messa in servizio può avvenire solo dopo aver eseguito con esito positivo tutte le fasi di collaudo del motoriduttore e degli altri dispositivi presenti. Per eseguire la messa in servizio fare riferimento al manuale istruzioni della Centrale di comando.

IMPORTANTE – È vietata la messa in servizio parziale o in situazioni "provvisorie".

6 MANUTENZIONE DEL PRODOTTO

La manutenzione deve essere effettuata nel pieno rispetto delle prescrizioni sulla sicurezza del presente manuale e secondo quanto previsto dalle leggi e normative vigenti.

I dispositivi per l'automazione non necessitano di manutenzioni particolari; verificare comunque periodicamente, almeno ogni sei mesi, la perfetta efficienza di tutti i dispositivi.

A tale scopo eseguire per intero le prove e le verifiche previste nel paragrafo 5.1 "Collaudo" ed eseguire quanto previsto nel paragrafo "Interventi di manutenzione concessi all'utilizzatore".

Se sono presenti altri dispositivi, seguire quanto previsto nel rispettivo piano manutenzione

SMALTIMENTO DEL PRODOTTO

Questo prodotto è parte integrante dell'automazione, e dunque, deve essere smaltito insieme con essa.

Come per le operazioni d'installazione, anche al termine della vita di questo prodotto, le operazioni di smantellamento devono essere eseguite da personale qualificato.

Questo prodotto è costituito da vari tipi di materiali: alcuni possono essere riciclati, altri devono essere smaltiti. Informatevi sui sistemi di riciclaggio o smaltimento previsti dai regolamenti vigenti sul vostro territorio, per questa categoria di prodotto.

Attenzione! – alcune parti del prodotto possono contenere sostanze inquinanti o pericolose che, se disperse nell'ambiente, potrebbero provocare effetti dannosi sull'ambiente stesso e sulla salute umana.

Come indicato dal simbolo a lato, è vietato gettare questo prodotto nei rifiuti domestici. Eseguire quindi la "raccolta separata" per lo smaltimento, secondo i metodi previsti dai regolamenti vigenti sul vostro territorio, oppure riconsegnare il prodotto al venditore nel momento dell'acquisto di un nuovo prodotto equivalente.



Attenzione! – i regolamenti vigenti a livello locale possono prevedere pesanti sanzioni in caso di smaltimento abusivo di questo prodotto.

CARATTERISTICHE TECNICHE DEL PRODOTTO

AVVERTENZE: • Tutte le caratteristiche tecniche riportate, sono riferite ad una temperatura ambientale di 20°C (± 5°C). • Nice S.p.A. si riserva il diritto di apportare modifiche al prodotto in qualsiasi momento lo riterrà necessario, mantenendone comunque la stessa funzionalità e destinazione d'uso.

- **Tipologia:** Motoriduttore elettromeccanico per cancelli o portoni ad ante battenti
- **Alimentazione:** 24 V $\overline{\text{---}}$
- **Assorbimento di picco:** 5 A
- **Assorbimento massimo:** 2 A
- **Potenza di picco:** 120 W
- **Potenza massima:** 50 W
- **Grado di protezione:** IP 67
- **Corsa:** da 0° a 90° (±10°) oppure da 0° a 180° (±10°) [non sono possibili aperture intermedie fra 90° e 180°]
- **Velocità a vuoto:** 1.25 rpm
- **Velocità alla coppia nominale:** 1 rpm
- **Coppia massima:** 250 Nm
- **Coppia nominale:** 120 Nm
- **Temperatura di funzionamento:** -20 °C ... +50 °C
- **Cicli/ora alla coppia nominale:** 60
- **Durabilità:** Stimata tra circa 80.000 e 200.000 cicli di manovre, secondo le condizioni riportate nelle Tabella 1
- **Dimensioni:** 230 mm x 206 mm x h 88 mm
- **Peso:** 15 kg (motoriduttore con cassa di fondazione)

Durabilità del prodotto

La durabilità è la vita economica media del prodotto. Il valore della durabilità è fortemente influenzato dall'indice di gravosità delle manovre eseguite dall'automatismo: cioè la somma di tutti i fattori che contribuiscono all'usura del prodotto (vedere Tabella 1).

La stima di durabilità viene effettuata sulla base dei calcoli progettuali e dei risultati di prove effettuate su prototipi. Infatti, essendo una stima, non rappresenta alcuna garanzia sull'effettiva durata del prodotto.

Per stabilire la durabilità probabile del vostro automatismo procedere nel modo seguente:

01. Calcolare l'indice di gravosità sommando tra loro i valori in percentuale delle voci presenti nella **Tabella 1**.
02. Nel **Grafico A** dal valore appena trovato, tracciare una linea verticale fino ad incrociare la curva; da questo punto tracciare una linea orizzontale fino ad incrociare la linea dei "cicli di manovre". Il valore determinato è la durabilità stimata del vostro prodotto.

Esempio del calcolo di durabilità di un motoriduttore SFAB(...).
Fare riferimento alla **Tabella 1** e al **Grafico A**:

- 1) - Lunghezza dell'anta: 1.7 m
- 2) - Peso dell'anta: 200 kg = indice di gravosità: 20%.
- 3) - Installazione in zone ventose = indice di gravosità: 15%.
- 4) - Non presenti altri elementi di affaticamento.

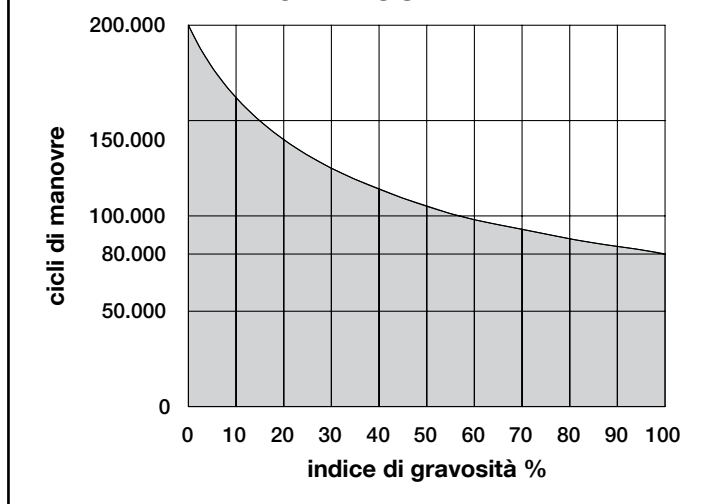
Indice di gravosità totale = 35%

Durabilità stimata = 120.000 cicli di manovre

TABELLA 1

Lunghezza dell'anta (m)	≥ 1.50	1.51 ÷ 1.80	1.81 ÷ 2.00	2.01 ÷ 2.30
Peso dell'anta (kg)	Indice di gravosità			
≤ 100	0 %	10 %	20 %	30 %
101 ÷ 250	10 %	20 %	30 %	40 %
251 ÷ 300	20 %	30 %	40 %	50 %
301 ÷ 330	30 %	40 %	50 %	-
331 ÷ 400	40 %	50 %	-	-
Temperatura ambientale superiore a 40°C o inferiore a 0°C o umidità superiore all'80%				15 %
Anta cieca				15 %
Installazione in zona ventosa				15 %

GRAFICO A



Dichiarazione CE di conformità e dichiarazione di incorporazione di "quasi-macchine"

Dichiarazione in accordo alle Direttive: 2014/30/UE (EMC); 2006/42/CE (MD) allegato II, parte B.

Nota - Il contenuto di questa dichiarazione corrisponde a quanto dichiarato nel documento ufficiale depositato presso la sede di Nice S.p.A., e in particolare, alla sua ultima revisione disponibile prima della stampa di questo manuale. Il testo qui presente è stato riadattato per motivi editoriali. Copia della dichiarazione originale può essere richiesta a Nice S.p.A. (TV) Italy.

Numero dichiarazione: **320/XFAB** Revisione: **8** Lingua: **IT**

Nome produttore: NICE S.p.A.

Indirizzo: Via Pezza Alta N°13, 31046 Rustignè di Oderzo (TV) Italy

Persona autorizzata a costituire la documentazione tecnica: NICE S.p.A. - Via Pezza Alta N°13, 31046 Rustignè di Oderzo (TV) Italy

Tipo di prodotto: Motoriduttore elettromeccanico 24Vd.c., interrato, per cancelli a battente.

Modello / Tipo: SFAB2024, SFAB2124

Accessori:

Il sottoscritto Roberto Griffa, in qualità di Amministratore Delegato, dichiara sotto la propria responsabilità che i prodotti sopra indicati risultano conformi alle disposizioni imposte dalle seguenti direttive:

- DIRETTIVA 2014/30/UE DEL PARLAMENTO EUROPEO E DEL CONSIGLIO del 26 febbraio 2014 concernente il ravvicinamento delle legislazioni degli Stati membri relative alla compatibilità elettromagnetica (rifusione), secondo le seguenti norme armonizzate: EN 61000-6-2:2005; EN 61000-6-3:2007 + A1:2011.

Inoltre il prodotto risulta essere conforme alla seguente direttiva secondo i requisiti previsti per le "quasi macchine":

- Direttiva 2006/42/CE DEL PARLAMENTO EUROPEO E DEL CONSIGLIO del 17 maggio 2006 relativa alle macchine e che modifica la direttiva 95/16/CE (rifusione).

- Si dichiara che la documentazione tecnica pertinente è stata compilata in conformità all'allegato VII-B della direttiva 2006/42/CE e che sono stati rispettati i seguenti requisiti essenziali: 1.1.1 - 1.1.2 - 1.1.3 - 1.2.1 - 1.2.6 - 1.5.1 - 1.5.2 - 1.5.5 - 1.5.6 - 1.5.7 - 1.5.8 - 1.5.10 - 1.5.11.
- Il produttore si impegna a trasmettere alle autorità nazionali, in risposta ad una motivata richiesta, le informazioni pertinenti sulla "quasi macchina", mantenendo impregiudicati i propri diritti di proprietà intellettuale.
- Qualora la "quasi macchina" sia messa in servizio in un paese europeo con lingua ufficiale diversa da quella usata nella presente dichiarazione, l'importatore ha l'obbligo di associare alla presente dichiarazione la relativa traduzione.
- Si avverte che la "quasi macchina" non dovrà essere messa in servizio finché la macchina finale in cui sarà incorporata non sarà a sua volta dichiarata conforme, se del caso, alle disposizioni della direttiva 2006/42/CE.

Inoltre il prodotto risulta conforme alle seguenti norme: EN 60335-1:2002 + A1:2004 + A11:2004 + A12:2006 + A2:2006 + A13:2008 + A14:2010 + A15:2011, EN 60335-2-103:2003+A11:2009, EN 62233:2008

Il prodotto risulta conforme, limitatamente alle parti applicabili, alle seguenti norme: EN 13241-1:2003+A1:2011, EN 12445:2000, EN 12453:2000, EN 12978:2003+A1:2009

Oderzo, 23 Gennaio 2017

Ing. **Roberto Griffa**
(Amministratore Delegato)

1 MISES EN GARDE ET PRÉCAUTIONS GÉNÉRALES DE SÉCURITÉ

INSTRUCTIONS GÉNÉRALES

Les recommandations suivantes sont transcrites directement des Réglémentations et, dans la mesure du possible, applicables au produit en question.

- **ATTENTION ! - Instructions importantes pour la sécurité. Il est important de suivre toutes les instructions fournies étant donné qu'une installation incorrecte est susceptible de provoquer des dommages graves.**
- **ATTENTION ! - Instructions importantes pour la sécurité. Pour la sécurité des personnes, il est important de respecter ces consignes. Conserver ces consignes.**
- Avant de commencer l'installation, vérifiez les « Caractéristiques techniques du produit » (dans ce manuel) en vous assurant notamment qu'il est bien adapté à l'automatisation de votre pièce guidée. Dans le cas contraire, vous NE devez PAS procéder à l'installation.
- Le produit ne peut être utilisé qu'après la mise en service effectuée selon les instructions du chapitre « Essai et mise en service ».
- **ATTENTION ! - Conformément à la législation européenne actuelle, la réalisation d'un automatisme implique le respect des normes harmonisées prévues par la Directive Machines en vigueur, qui permettent de déclarer la conformité présumée de l'automatisme. De ce fait, toutes les opérations de branchement au secteur électrique, d'essai, de mise en service et de maintenance du produit doivent être effectuées exclusivement par un technicien qualifié et compétent !**
- Avant l'installation du produit, s'assurer que tout le matériel à utiliser est en excellent état et adapté à l'usage prévu.
- Le produit n'est pas destiné à être utilisé par des personnes (y compris des enfants) aux capacités physiques, sensorielles ou mentales réduites, ou manquant d'expérience ou de connaissances.
- Les enfants ne doivent pas jouer avec l'appareil.
- Ne pas laisser les enfants jouer avec les dispositifs de commande du produit. Conserver les émetteurs hors de la portée des enfants.
- **ATTENTION ! - Afin d'éviter tout danger dû au réarmement accidentel du disjoncteur, cet appareil ne doit pas être alimenté par le biais d'un dispositif de manœuvre externe (ex. : temporisateur) ou bien être connecté à un circuit régulièrement alimenté ou déconnecté par la ligne.**
- Prévoir dans le réseau d'alimentation de l'installation un dispositif de déconnexion (non fourni) avec une distance d'ouverture des contacts qui permette la déconnexion complète dans les conditions dictées par la catégorie de surtension III.
- Pendant l'installation, manipuler le produit avec soin en évitant tout écrasement, choc, chute ou contact avec des liquides de quelque nature que ce soit. Ne pas positionner le produit près de sources de chaleur, ni l'exposer à des flammes nues. Toutes ces actions peuvent l'endommager et créer des dysfonctionnements ou des situations de danger. Le cas échéant, suspendre immédiatement l'installation et s'adresser au service après-vente.
- Le fabricant décline toute responsabilité en cas de dommages patrimoniaux causés à des biens ou à des personnes dérivant du non-respect des instructions de montage. Dans ces cas, la garantie pour défauts matériels est exclue.
- Le niveau de pression acoustique d'émission pondérée A est inférieur à 70 dB(A).
- Le nettoyage et la maintenance qui doivent être effectués par l'utilisateur ne doivent pas être confiés à des enfants sans surveillance.

- Avant toute intervention (maintenance, nettoyage), il faut toujours débrancher le produit du secteur.
- Contrôler fréquemment l'installation, en particulier les câbles, les ressorts et les supports pour repérer d'éventuels déséquilibres et signes d'usure ou de dommages. Ne pas utiliser l'installation en cas de réparations ou de réglages nécessaires étant donné qu'une panne ou un mauvais équilibrage de l'automatisme peut provoquer des blessures.
- Les matériaux de l'emballage du produit doivent être mis au rebut dans le plein respect des normes locales en vigueur.
- Éloigner les personnes de la porte lors de son actionnement au moyen des éléments de commande.
- Durant cette opération, contrôler l'automatisme et s'assurer que les personnes restent bien à une distance de sécurité jusqu'à la fin de la manœuvre.
- Ne pas activer le produit lorsque des personnes effectuent des travaux sur l'automatisme ; débrancher l'alimentation électrique avant de permettre la réalisation de ces travaux.
- Tout câble d'alimentation détérioré doit être remplacé par le fabricant, ou par son service d'assistance technique, ou par un technicien possédant son même niveau de qualification, de manière à prévenir tout risque.

INSTRUCTIONS D'INSTALLATION

- Avant d'installer la motorisation, il faut éliminer tout câble inutile et mettre hors service tout appareil n'étant pas nécessaire au fonctionnement motorisé.
- Si le portail à automatiser est équipé d'une porte piétonne, préparer l'installation avec un système de contrôle qui désactive le fonctionnement du moteur lorsque la porte piétonne est ouverte.
- S'assurer que les éléments de commande sont bien à l'écart des organes en mouvement tout en restant directement visibles. Sous réserve de l'utilisation d'un sélecteur, les éléments de commande doivent être installés à une hauteur minimale de 1.5 m et ne doivent pas être accessibles.
- Prévenir et éviter toute possibilité de coincement entre les parties en mouvement et les parties fixes durant les manœuvres.
- Apposer de façon fixe et définitive l'étiquette concernant la manœuvre manuelle près de l'élément qui la permet.
- Après l'installation de la motorisation s'assurer que le mécanisme, le système de protection et toute manœuvre manuelle fonctionnent correctement.

2 DESCRIPTION DU PRODUIT ET DESTINATION

Le présent produit est destiné à être utilisé pour automatiser des portails ou des portes battantes à vantaux, dans le domaine résidentiel exclusivement.

ATTENTION ! – Toute utilisation autre que celle décrite et dans des conditions ambiantes différentes de celles indiquées dans ce manuel doit être considérée impropre et interdite !

Le produit est un motoréducteur électromécanique, doté d'un moteur en courant continu 24 V. Le motoréducteur est alimenté par la centrale de commande externe à laquelle il doit être raccordé.

En cas de coupure de l'énergie électrique (black-out), il est possible de déplacer le vantail du portail en débloquant le motoréducteur à l'aide de la clé prévue ; pour effectuer la manœuvre manuelle, voir chapitre 3.6.

Il produit est disponible en 2 versions :

- SFAB2024 sans encodeur, adapté aux centrales modèle MC424.
- SFAB2124 avec encodeur, adapté aux centrales modèle MC824H.

ATTENTION ! – Ne pas utiliser les motoréducteurs avec des centrales qui ne seraient pas compatibles.

3 INSTALLATION

3.1 - Vérifications préalables à l'installation

Avant de procéder à l'installation, il faut vérifier le bon état des composants du produit, la conformité du modèle choisi et l'adéquation du local destiné à l'installation.

IMPORTANT – Le motoréducteur ne peut pas automatiser un portail

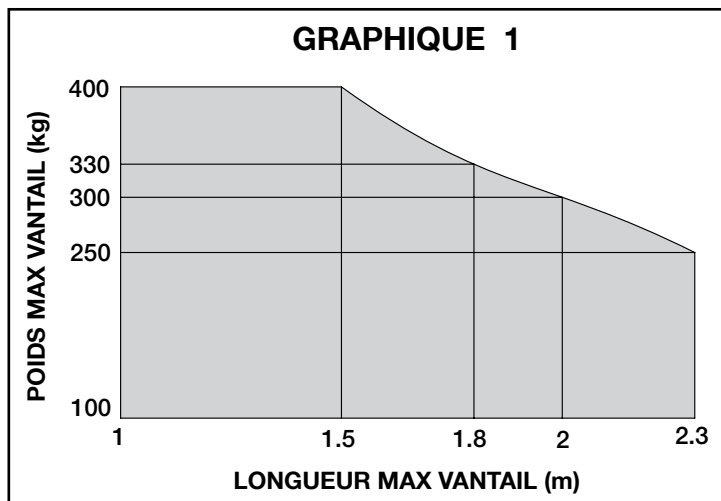
manuel qui ne serait pas doté d'une structure mécanique efficace et sûre. Il ne peut pas non plus résoudre les défauts causés par une installation erronée ou par une mauvaise maintenance du portail.

3.2 - Adéquation du portail à automatiser et du milieu environnant

- Vérifier que la structure mécanique du portail soit adéquate pour être automatisée et conforme aux normes en vigueur sur le territoire (consulter éventuellement les données reprises sur l'étiquette du portail).
- En déplaçant manuellement le vantail du portail en Ouverture et en Fermeture, vérifier que le mouvement ait lieu avec un frottement égal et constant en chaque point de la course (il ne doit pas y avoir de moments de plus grand effort).
- Vérifier que le vantail du portail reste en équilibre, c'est-à-dire qu'il ne bouge pas s'il est situé manuellement dans une position quelconque et laissé immobile.
- Vérifier que l'espace autour du motoréducteur permette de débloquer manuellement les vantaux du portail, de façon aisée et sûre.
- Prévoir des arrêts de fin de course au sol tant pour l'ouverture que pour la fermeture du portail.
- Vérifier que la zone de fixation du motoréducteur soit compatible avec les dimensions de ce dernier (fig. 1).

3.3 - Limites d'utilisation du produit

Avant d'installer le produit, vérifier que le vantail du portail présente des dimensions et un poids compris dans les limites reprises au graphique 1; évaluer aussi les conditions climatiques (ex. vent fort) existantes dans le lieu d'installation, elles peuvent réduire considérablement les valeurs reprises sur le graphique.



3.4 - Travaux de pré-installation

La fig. 2 montre un exemple d'installation d'automatisation exécutée avec des composants Nice. Ces composants sont placés selon un schéma typique et habituel.

En se basant sur la fig. 2, définir la position approximative où sera installé chaque composant prévu sur l'installation ainsi que le schéma de raccordement le plus approprié.

Composants utiles pour réaliser une installation complète (fig. 2):

- A - Motoréducteurs électromécaniques
- B - Centrale de commande
- C - Paire de photocellules
- D - Colonnes pour paire de photocellules (C)
- E - Signal d'avertissement clignotant avec antenne incorporée
- F - Clavier numérique
- G - Paire d'arrêts mécaniques en ouverture et en fermeture
- H - Sélecteur à clé

3.5 - Installation

01. Exécuter une excavation de fondation de grandes dimensions, pour installer la caisse de fondation (fig. 3) : prévoir un conduit d'écoulement pour le drainage de l'eau pour éviter sa stagnation.
02. Placer la caisse de fondation dans l'excavation, avec son orifice aligné sur l'axe de la charnière supérieure (fig. 4).
03. Prévoir un conduit pour le passage du câble d'alimentation et un autre pour le drainage de l'eau.
04. Noyer la caisse de fondation dans le béton, en veillant à la mettre parfaitement à niveau (fig. 5).
05. Ensuite, sur la partie inférieure du vantail, effectuer 3 orifices filetés M10 d'une profondeur minimale de 15 mm (fig. 6). **Remarque** – Comme alternative aux vis, il est possible de fixer le levier d'accrochage pour le vantail

avec une soudure résistante.

06. Fixer le levier d'accrochage pour le vantail en utilisant 3 vis (fig. 6).
07. **IMPORTANT ! – Lubrifier le glisseur de la caisse de fondation (fig. 7).**
08. Insérer dans le glisseur de la caisse de fondation, le levier d'accrochage déjà fixé au vantail (fig. 8). **TRÈS IMPORTANT – Contrôler que le vantail soit bien fixé aux gonds de la colonne ou du mur de manière à ce qu'il NE RISQUE PAS D'ÊTRE SOULEVÉ (fig. 8-A).** Ceci pour assurer un bon contact avec les engrenages de l'arbre moteur.
09. Si le portail est doté de ses propres arrêts mécaniques (fig. 2 - G) passer directement au point 10. Dans le cas contraire, si le portail est dépourvu de ses propres arrêts mécaniques ou si nous ne souhaitons pas qu'en fin de course, toute la poussée du moteur soit appliquée au vantail, nous pouvons utiliser les fins de course internes au motoréducteur et procéder de la façon suivante :
 - a) Insérer les goujons de réglage (tant pour la fin de course en ouverture qu'en fermeture) dans les orifices prévus, situés sur le support de la caisse de fondation :
 - **Ouverture vantail à 90°:** voir fig. 9 pour le vantail gauche et pour le vantail droit.
 - **Ouverture vantail à 180°:** voir fig. 10.
 - b) **Réglage des fins de course (ouverture et fermeture) :** visser les fins de course jusqu'à atteindre le point de butée souhaité tant en ouverture qu'en fermeture ; finalement, ajouter les écrous et si les positions du fin de course sont correctes, serrer fortement les écrous (fig. 11).
10. Introduire, alors, le moteur à l'intérieur de la caisse de fondation en le poussant jusqu'au fond de la caisse et de façon à faire coïncider les orifices de fixation présents sur le motoréducteur avec ceux de la caisse (fig. 12).
11. Insérer les vis de fixation fournies dans les orifices (fig. 13) et les visser légèrement jusqu'à ce que le moteur se trouve légèrement relevé par rapport au fond de la caisse.
12. Ensuite, déplacer lentement le vantail pour permettre son accouplement avec le moteur et ensuite serrer les vis de fixation à fond (fig. 14).
13. Faire passer le câble d'alimentation à travers le caniveau précédemment installé (fig. 15) : pour effectuer la connexion électrique à la centrale, voir le chapitre 4 et consulter le manuel de la centrale.
14. Positionner les trois couvercles "A, B, C" en respectant l'ordre ci-dessous:
 - a) Appuyer le couvercle supérieur "A" à la caisse de fondation et le faire coulisser jusqu'en butée (fig. 16 - 1), simultanément insérer dans la fente le couvercle "B" (fig. 16 - 2).
 - b) Fixer le couvercle "A" avec les 3 vis fournies (fig. 16 - 3).
 - c) Fixer le couvercle inférieur "C" en utilisant la vis fournie (fig. 16 - 4 et 5).

3.6 - Déblocage et blocage manuel du motoréducteur

Pour débloquer et bloquer le motoréducteur, utiliser la clé triangulaire fournie :

• Déblocage :

01. Insérer la clé dans un des 2 orifices latéraux présents sur le couvercle supérieur et la tourner de 180°, dans un des deux sens indifféremment (fig. 17).
02. Déplacer manuellement le vantail et le situer dans la position souhaitée.

• Blocage :

01. Insérer la clé dans un des 2 orifices prévus et la tourner de 180°, dans un des deux sens indifféremment (fig. 17).
02. Le vantail se bloquera à la première manœuvre commandée depuis la centrale.

4 RACCORDEMENTS ÉLECTRIQUES

Mises en garde :

- Le motoréducteur est doté d'un câble d'alimentation électrique d'une longueur de 2 m. Par conséquent, s'il fallait couvrir une distance supérieure pour effectuer les connexions électriques, il faudra utiliser une boîte de dérivation (non fournie). **IMPORTANT ! – Il est interdit d'effectuer des ajouts de câble électrique à l'intérieur de la caisse de fondation.**
- **Effectuer les raccordements électriques après avoir débranché l'alimentation de secteur.**

Pour connecter le câble d'alimentation à la centrale de commande, consulter le manuel de la centrale et les indications suivantes :

FIL	RACCORDEMENT
fil Bleu	Alimentation moteur 24 V
fil Marron	Alimentation moteur 24 V
fil Noir	Encodeur (seulement version SFAB2124)
fil Gris	Encodeur (seulement version SFAB2124)
fil Jaune-vert	Terre

5 TEST ET MISE EN SERVICE

ATTENTION ! – Les opérations décrites dans ce chapitre doivent être effectuées exclusivement par du personnel qualifié et expert, en respectant les instructions du manuel, les lois et les normes de sécurité en vigueur sur le territoire.

Ceci constitue la phase la plus importante de la réalisation de l'automatisation afin de garantir le maximum de sécurité de l'installation. La procédure de test décrite peut aussi être utilisée pour vérifier périodiquement les dispositifs qui composent l'automatisme.

Les phases de test et de mise en service de l'automatisme doivent être effectuées par du personnel qualifié et expert qui devra se charger de définir les essais nécessaires pour vérifier les solutions adoptées vis-à-vis des risques présents et de vérifier le respect de toutes les dispositions prévues par les lois, les normes et les règlements : en particulier, de toutes les exigences de la norme EN 13241-1 qui établit les méthodes de test pour la vérification des automatismes pour portails.

ATTENTION ! – Avant d'effectuer n'importe quelle vérification, il faut débrancher toutes les sources d'alimentation électrique.

5.1 - Test

Chaque composant individuel de l'automatisme, par exemple les bords sensibles, les photocellules, l'arrêt d'urgence, etc., requiert une phase de test spécifique ; pour ces dispositifs, il faut suivre les procédures reprises dans les manuels d'instructions respectifs.

Pour exécuter le test du SFAB(...), procéder de la façon suivante :

- 1 Vérifier d'avoir respecté scrupuleusement, en matière de sécurité, ce qui est prévu au chapitre 1 - Mises en garde et précautions générales de sécurité.
- 2 Situer le portail dans la position de fermeture.
- 3 Débrancher toutes les sources d'alimentation électrique à la centrale de commande.
- 4 Débloquer le motoréducteur à l'aide de la clé appropriée, voir paragraphe 3.6.
- 5 Ouvrir manuellement le vantail jusqu'à atteindre la position d'ouverture maximale et vérifier que pendant son mouvement, il n'y ait pas de points de frottement.
- 6 Vérifier que le vantail, laissé immobile dans une position quelconque de sa course, ne bouge pas.
- 7 Vérifier que les systèmes de sécurité et les arrêteurs mécaniques soient en bon état.
- 8 Vérifier que les connexions à vis soient serrées fermement.
- 9 Le cas échéant, nettoyer l'intérieur de la caisse de fondation et vérifier que l'écoulement de l'eau fonctionne correctement.
- 10 Bloquer le motoréducteur à l'aide de la clé appropriée, voir paragraphe 3.6.
- 11 Brancher l'alimentation électrique à la centrale de commande.
- 12 Effectuer la mesure de la force d'impact selon les dispositions prévues par les normes EN 12445 et EN 12453. Si le contrôle de la "force moteur" est utilisé par la Centrale comme auxiliaire au système pour la réduction de la force d'impact, essayer de régler les fonctions qui offrent de meilleurs paramètres.
- 13 Fixer de façon permanente, dans une zone adjacente à l'automatisme, une étiquette qui décrit comment débloquer manuellement le motoréducteur.

5.2 - Mise en service

La mise en service ne peut avoir lieu qu'après avoir effectué positivement toutes les phases de test du motoréducteur et des autres dispositifs présents. Pour effectuer la mise en service, consulter le manuel d'instructions de la Centrale de commande.

IMPORTANT – La mise en service partielle ou en situations "provisoires" est interdite.

6 MAINTENANCE DU PRODUIT

La maintenance doit être effectuée dans le respect absolu des consignes de sécurité de la présente notice et selon les prescriptions des lois et des normes en vigueur.

Les dispositifs pour l'automatisation n'ont pas besoin d'être soumis à une maintenance particulière ; vérifier toutefois périodiquement, au moins tous les six mois, le bon fonctionnement de tous les dispositifs.

Pour cela, effectuer tous les essais et contrôles prévus dans le paragraphe 5.1 « Test » et effectuer ce qui est prévu dans le paragraphe « Interventions d'entretien autorisées à l'utilisateur ».

Si l'installation comprend d'autres dispositifs, suivre les indications prévues dans le plan de maintenance.

ÉLIMINATION DU PRODUIT

Ce produit fait partie intégrante de l'automatisation et il doit donc être éliminé en même temps que celle-ci.

Comme pour les opérations d'installation, à la fin de la vie de ce produit, les opérations de démantèlement doivent aussi être effectuées par du personnel qualifié.

Ce produit se compose de différents types de matériaux : certains peuvent être recyclés, d'autres doivent être éliminés. Informez-vous sur les systèmes de recyclage ou d'élimination prévus par les règlements en vigueur sur votre territoire pour cette catégorie de produit.

Attention ! – certaines parties du produit peuvent contenir des substances polluantes ou dangereuses qui, si elles sont jetées dans l'environnement, pourraient avoir des effets nocifs sur l'environnement et sur la santé des personnes.

Comme indiqué par le symbole ci-contre, il est interdit de jeter ce produit avec les déchets domestiques. Effectuer donc le "ramassage séparé" pour l'élimination, selon les méthodes prévues par les règlements en vigueur sur votre territoire ou remettre le produit au vendeur au moment de l'achat d'un nouveau produit équivalent.



Attention ! – les règlements en vigueur au niveau local peuvent prévoir de lourdes sanctions en cas d'élimination abusive de ce produit.

CARACTÉRISTIQUES TECHNIQUES DU PRODUIT

MISES EN GARDE : • Toutes les caractéristiques techniques reprises se réfèrent à une température ambiante de 20°C (± 5°C). • Nice S.p.A. se réserve le droit d'apporter des modifications au produit à chaque fois qu'elle le jugera nécessaire, tout en conservant cependant ses fonctions et sa destination d'usage.

- **Type:** Motoréducteur électromécanique pour portails ou portes battantes à vantaux
- **Alimentation:** 24 V ==
- **Absorption de pic:** 5 A
- **Absorption maximale:** 2 A
- **Puissance de pic:** 120 W
- **Puissance maximale:** 50 W
- **Degré de protection:** IP 67
- **Course:** de 0° à 90° (±10°) ou de 0° à 180° (±10°) [des ouvertures intermédiaires entre 90° et 180° ne sont pas possibles]
- **Vitesse à vide:** 1.25 rpm
- **Vitesse au couple nominal:** 1 rpm
- **Couple maximum:** 250 Nm
- **Couple nominal:** 120 Nm
- **Température de fonctionnement:** -20 °C ... +50 °C
- **Cycles/heure au couple nominal:** 60
- **Durabilité:** Estimée entre 80.000 et 200.000 cycles de manœuvres environ, selon les conditions reprises au Tableau 1
- **Dimensions:** 230 mm x 206 mm x h 88 mm
- **Poids:** 15 kg (motoréducteur avec caisse de fondation)

Durabilité du produit

La durabilité représente la vie économique moyenne du produit. La valeur de la durabilité est fortement influencée par l'indice de la pénibilité des manœuvres effectuées par l'automatisme : c'est-à-dire la somme de tous les facteurs qui contribuent à l'usure du produit (voir Tableau 1).

L'estimation de durabilité s'effectue sur la base des calculs conceptuels et des résultats de tests effectués sur prototypes. Étant donné qu'il s'agit en effet d'une estimation, elle ne constitue aucune garantie sur la durée effective du produit.

Pour établir la durabilité probable de votre automatisme, procéder de la façon suivante :

01. Calculer l'**indice de pénibilité** en additionnant entre elles les valeurs en pourcentage des entrées présentes sur le **Tableau 1**.
02. Sur le **Graphique A** à partir de la valeur que l'on vient de trouver, tracer une ligne verticale jusqu'à croiser la courbe ; ensuite tracer une ligne horizontale jusqu'à croiser la ligne des "cycles de manœuvres". La valeur déterminée représente la **durabilité estimée** de votre produit.

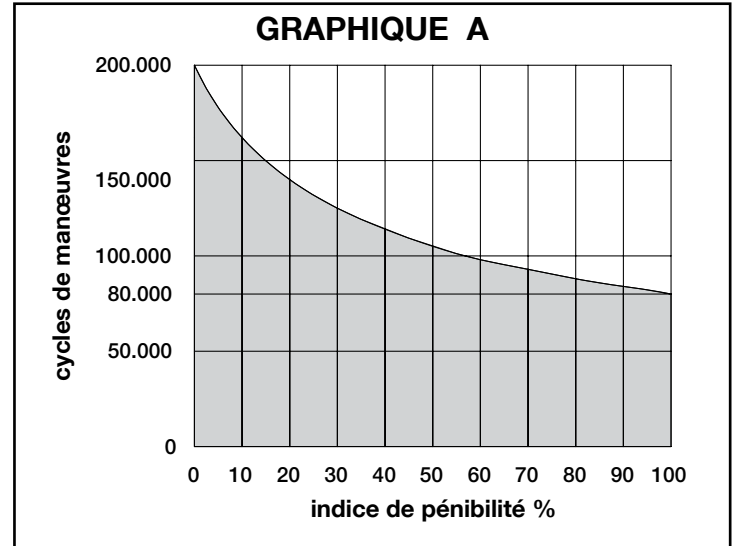
Exemple du calcul de durabilité d'un motoréducteur SFAB(...).
Se référer au **Tableau 1** et au **Graphique A**:

- 1) - Longueur du vantail : 1.7 m
- 2) - Poids du vantail : 200 kg = indice de pénibilité : 20%.
- 3) - Installation dans des zones venteuses = indice de pénibilité : 15%.
- 4) - Non présents d'autres éléments de fatigue.

Indice de pénibilité totale = 35%

Durabilité estimée = 120.000 cycles de manœuvre

TABLEAU 1				
Longueur du vantail (m)	≥ 1.50	1.51 ÷ 1.80	1.81 ÷ 2.00	2.01 ÷ 2.30
Poids du vantail (kg)	Indice de pénibilité			
≤ 100	0 %	10 %	20 %	30 %
101 ÷ 250	10 %	20 %	30 %	40 %
251 ÷ 300	20 %	30 %	40 %	50 %
301 ÷ 330	30 %	40 %	50 %	–
331 ÷ 400	40 %	50 %	–	–
Température ambiante supérieure à 40°C ou inférieure à 0°C ou humidité supérieure à 80%				15 %
Vantail plein				15 %
Installation dans une zone venteuse				15 %



Déclaration CE de conformité et déclaration d'incorporation de « quasi-machines »

Déclaration conforme aux Directives : 2014/30/UE (EMC); 2006/42/CE (MD) annexe II, partie B.

Note - Le contenu de cette déclaration correspond à ce qui a été déclaré dans le document officiel déposé au siège social de Nice S.p.A. et, en particulier, à la dernière mise à jour disponible avant l'impression de ce manuel. Le présent texte a été réadapté pour raisons d'édition. Une copie de la déclaration originale peut être demandée à Nice S.p.A. (TV) - Italy.

Numéro de déclaration : **320/XFAB** Révision : **8** Langue : **FR**

Nom du fabricant : NICE S.p.A.

Adresse : Via Pezza Alta N°13, 31046 Rustignè di Oderzo (TV) Italy

Personne autorisée à constituer la documentation technique : NICE S.p.A. – Via Pezza Alta N°13, 31046 Rustignè di Oderzo (TV) Italy

Type de produit : Motoréducteur électromécanique 24Vd.c., enterré, pour portails battants.

Modèle / Type : SFAB2024, SFAB2124

Accessoires :

Le soussigné Roberto Griffa, en qualité de Chief Executive Officer, déclare sous son entière responsabilité que les produits sus-indiqués sont conformes aux dispositions prescrites par les directives suivantes :

- DIRECTIVE 2014/30/UE DU PARLEMENT EUROPÉEN ET DU CONSEIL du 26 février 2014 relative au rapprochement des législations des États membres concernant la compatibilité électromagnétique (refonte), selon les normes harmonisées suivantes : EN 61000-6-2:2005; EN 61000-6-3:2007 + A1:2011.

En outre, le produit s'avère conforme à la Directive ci-après selon les conditions essentielles requises pour les « quasi-machines » :

- Directive 2006/42/CE DU PARLEMENT EUROPÉEN ET DU CONSEIL du 17 mai 2006 relative aux machines et modifiant la Directive 95/16/CE (refonte).

- Nous déclarons que la documentation technique pertinente a été remplie conformément à l'Annexe VII B de la Directive 2006/42/CE et que les conditions essentielles suivantes ont été respectées : 1.1.1 - 1.1.2 - 1.1.3 - 1.2.1 - 1.2.6 - 1.5.1 - 1.5.2 - 1.5.5 - 1.5.6 - 1.5.7 - 1.5.8 - 1.5.10 - 1.5.11.
- Le fabricant s'engage à transmettre aux autorités nationales, en réponse à une demande motivée, les renseignements pertinents sur la « quasi-machine », sans préjudice de ses droits de propriété intellectuelle.
- Si la « quasi-machine » est mise en service dans un pays européen dont la langue officielle est différente de celle employée dans la présente déclaration, l'importateur est tenu d'accompagner la présente déclaration de la traduction y afférente.
- Nous avertissons que la « quasi-machine » ne devra pas être mise en service tant que la machine finale à laquelle elle sera incorporée n'aura pas à son tour été déclarée conforme, s'il y a lieu, aux dispositions de la Directive 2006/42/CE.

En outre, le produit s'avère conforme aux normes suivantes : EN 60335-1:2002 + A1:2004 + A11:2004 + A12:2006 + A2:2006 + A13:2008 + A14:2010 + A15:2011, EN 60335-2-103:2003+A11:2009, EN 62233:2008

Le produit s'avère conforme, limitativement aux parties applicables, aux normes suivantes : EN 13241-1:2003+A1:2011, EN 12445:2000, EN 12453:2000, EN 12978:2003+A1:2009

Oderzo, 23 janvier 2017

Ing. **Roberto Griffa**
(Chief Executive Officer)

1 ADVERTENCIAS Y PRECAUCIONES GENERALES PARA LA SEGURIDAD

ADVERTENCIAS GENERALES

Las siguientes advertencias se transcriben directamente de las Normas y se aplican, en la medida de lo posible, al producto en cuestión.

- **¡ATENCIÓN!** - Instrucciones importantes para la seguridad. Seguir todas las instrucciones: una instalación incorrecta puede provocar daños graves.
- **¡ATENCIÓN!** - Instrucciones importantes para la seguridad. Para la seguridad de las personas es importante seguir estas instrucciones. Conservar estas instrucciones.
- Antes de comenzar la instalación, verificar las "Características técnicas del producto" (en este manual) y asegurarse de que el producto sea adecuado para la automatización en cuestión. NO proceder con la instalación si el producto no es adecuado.
- El producto no se puede utilizar sin haber llevado a cabo las operaciones de puesta en servicio especificadas en el apartado "Ensayo y puesta en servicio".
- **¡ATENCIÓN!** - Según la legislación europea más reciente, la realización de una automatización debe respetar las normas armonizadas previstas por la Directiva Máquinas vigente, que permiten declarar la presunción de conformidad de la automatización. Considerando todo esto, las operaciones de conexión a la red eléctrica, ensayo, puesta en servicio y mantenimiento del producto deberán ser llevadas a cabo exclusivamente por un técnico cualificado y competente.
- Antes de proceder a la instalación del producto, comprobar que todo el material que se vaya a utilizar esté en perfectas condiciones y sea apto para el uso.
- El producto no puede ser utilizado por los niños ni por personas con discapacidades físicas, sensoriales o mentales, o bien carentes de experiencia o conocimiento.
- Los niños no deben jugar con el aparato.
- No permitir que los niños jueguen con los dispositivos de mando del producto. Mantener los mandos a distancia fuera del alcance de los niños.
- **¡ATENCIÓN!** - Para evitar cualquier peligro debido al restablecimiento accidental del interruptor térmico, el aparato no debe alimentarse mediante un dispositivo de maniobra externo, como un temporizador, ni debe conectarse a un circuito que regularmente se conecte y desconecte de la alimentación.
- En la red de alimentación de la instalación, colocar un dispositivo de desconexión (no suministrado) con una distancia de apertura de los contactos que permita la desconexión completa en las condiciones dictadas por la categoría de sobretensión III.
- Durante la instalación, tratar el producto con cuidado evitando aplastamientos, caídas o contactos con cualquier tipo de líquido. No colocar el producto cerca de fuentes de calor y no exponerlo a llamas libres. Todas estas acciones pueden dañarlo y provocar defectos de funcionamiento o situaciones de peligro. En tal caso, suspender inmediatamente la instalación y acudir al Servicio de Asistencia.
- El fabricante no asume ninguna responsabilidad ante daños patrimoniales, de bienes o de personas, derivados del incumplimiento de las instrucciones de montaje. En estos casos, la garantía por defectos de material queda sin efecto.
- El nivel de presión acústica de la emisión ponderada A es inferior a 70 dB(A).
- La limpieza y el mantenimiento del aparato deben ser efectuados por el usuario y no por niños sin vigilancia.

- Antes de realizar cualquier operación en la instalación (limpieza, mantenimiento) hay que desconectar el aparato de la red de alimentación.
- Inspeccionar la instalación con frecuencia, especialmente los cables, muelles y soportes, a fin de detectar posibles desequilibrios y marcas de desgaste o daños. No utilizar la instalación si es necesaria una reparación o una regulación: una avería en la instalación o un equilibrio incorrecto de la automatización puede provocar lesiones.
- El material del embalaje del producto debe desecharse en plena conformidad con la normativa local.
- Mantener a las personas alejadas al accionar el movimiento de la puerta mediante los elementos de mando.
- Durante la ejecución de una maniobra, controlar la automatización y asegurarse de que las personas se mantengan alejadas hasta que termine el movimiento.
- No poner en funcionamiento el producto cuando en sus proximidades se estén realizando tareas en la automatización; es necesario desconectar la fuente de alimentación antes de realizar estas tareas.
- Si el cable de alimentación está dañado, debe ser sustituido por el fabricante o por el servicio de asistencia técnica o por una persona con una calificación similar, para prevenir cualquier riesgo.

ADVERTENCIAS DE INSTALACIÓN

- Antes de instalar el motor de accionamiento, comprobar que todos los órganos mecánicos estén en buenas condiciones y bien equilibrados y que la automatización se abra y se cierre correctamente.
- Si la cancela que se desea automatizar incluye una puerta peatonal, es necesario preparar la instalación con un sistema de control que inhabilite el funcionamiento del motor cuando la puerta peatonal esté abierta.
- Asegurarse de que los elementos de mando se mantengan lejos de los órganos en movimiento, permitiendo la visión directa. A no ser que se utilice un selector, los elementos de mando se deben instalar a una altura mínima de 1.5 m y no deben quedar accesibles.
- Prevenir y evitar cualquier forma de atrapamiento entre las partes en movimiento y las partes fijas durante las maniobras.
- Fijar de manera permanente la etiqueta relativa a la maniobra manual cerca del órgano de maniobra.
- Después de instalar el motor de accionamiento, asegurarse de que el mecanismo, el sistema de protección y todas las maniobras manuales funcionen correctamente.

2 DESCRIPCIÓN DEL PRODUCTO Y DESTINACIÓN DE USO

Este producto está destinado a ser usado para automatizar cancelas o portales de hojas batientes, en ámbito exclusivamente residencial.

¡ATENCIÓN! – **¡Cualquier uso diferente del uso descrito y en condiciones ambientales diferentes de las indicadas en este manual debe considerarse impropio y prohibido!**

El producto es un motorreductor electromecánico, con un motor de corriente continua de 24 V. El motorreductor se alimenta desde la central de mando externa a la que se debe conectar.

En caso de interrupción de la energía eléctrica (black-out), es posible mover las hojas de la cancela desbloqueando el motorreductor con la llave apropiada; para la maniobra manual véase la sección 3.6.

El producto está disponible en 2 versiones:

- SFAB2024 sin encoder, adecuado para centrales modelo MC424.
- SFAB2124 con encoder, adecuado para centrales modelo MC824H.

¡ATENCIÓN! – **No utilice los motorreductores con centrales no compatibles.**

3 INSTALACIÓN

3.1 - Controles previos a la instalación

Antes de efectuar la instalación, es necesario comprobar que los componentes del producto estén en perfectas condiciones, que el modelo elegido sea adecuado y que el ambiente destinado a la instalación sea idóneo.

IMPORTANTE – **El motorreductor no puede automatizar una cancela manual que no tenga una estructura mecánica eficiente y segura. Ade-**

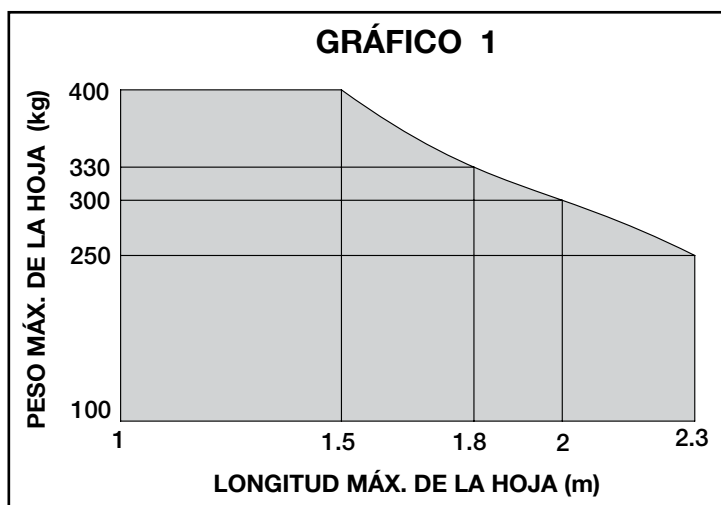
más, no puede solucionar los defectos causados por una instalación errónea o un mantenimiento incorrecto de la misma.

3.2 - Idoneidad de la cancela que se va a automatizar y del ambiente circundante

- Controle que la estructura mecánica de la cancela se pueda automatizar y esté en conformidad con las normas vigentes en el territorio (eventualmente consulte los datos reproducidos en la etiqueta de la cancela).
- Moviendo manualmente la hoja de la cancela en Apertura y en Cierre, controle que el movimiento tenga lugar con una fricción igual y constante en todos los puntos del movimiento (no deben haber momentos de mayor esfuerzo).
- Controle que la hoja de la cancela se mantenga en equilibrio, es decir, que no se mueva si se desplaza manualmente a cualquier posición y se deja detenida.
- Controle que el espacio alrededor del motorreductor permita desbloquear manualmente las hojas de la cancela, de manera fácil y segura.
- Posicione topes de fin de carrera en el suelo, tanto para la apertura como para el cierre de la cancela.
- Controle que la zona de fijación del motorreductor sea compatible con las dimensiones globales del mismo (fig. 1).

3.3 - Límites de uso del producto

Antes de instalar el producto, controle que las dimensiones y el peso de la hoja de la cancela estén dentro de los límites que se muestran en el gráfico 1; evalúe también las condiciones climáticas (ej. viento fuerte) presentes en el lugar de la instalación, ya que pueden reducir considerablemente los valores mostrados en el gráfico.



3.4 - Trabajos de preparación para la instalación

La fig. 2 muestra un ejemplo de instalación de automatización realizado con componentes Nice. Estos componentes se posicionan según un esquema típico y usual.

Consultando la fig. 2, establezca la posición aproximativa en la que se instalará cada componente previsto en la instalación, y el esquema de conexión más apropiado.

Componentes útiles para realizar una instalación completa (fig. 2):

- A - Motorreductores electromecánicos
- B - Central de mando
- C - Par de fotocélulas
- D - Columnas para par de fotocélulas (C)
- E - Indicador intermitente con antena incorporada
- F - Teclado digital
- G - Par de retenes mecánicos en apertura y en cierre
- H - Selector de llave

3.5 - Instalación

01. Realice una excavación de cimientos de dimensiones amplias, para colocar la caja de cimentación (fig. 3): prevea un conducto de descarga para el drenaje del agua, para evitar su estancamiento.
02. Coloque la caja de cimentación dentro de la excavación, con el agujero alineado al eje de la bisagra superior (fig. 4).
03. Prevea un conducto para pasar el cable de alimentación y uno para el drenaje del agua.
04. Introduzca la caja de cimentación en el hormigón, asegurándose de que esté bien nivelada (fig. 5).
05. Llegado a este punto, realice 3 agujeros roscados M10, con profundidad mínima de 15 mm, en la parte inferior de la hoja (fig. 6). **Nota** – Como alternativa a los tornillos, es posible fijar una palanca de enganche para la puerta con una soldadura resistente.
06. Fije la palanca de enganche para la hoja utilizando 3 tornillos (fig. 6).
07. **¡IMPORTANTE!** - Lubrifique la deslizadera de la caja de cimenta-

ción (fig. 7).

08. Introduzca en la deslizadera de la caja de cimentación, la palanca de enganche ya fijada a la hoja (fig. 8). **MUY IMPORTANTE – Comprobar que la puerta esté bien fijada en los goznes de la columna / pared para que NO SE PUEDA LEVANTAR (fig. 8-A).** Esto sirve para garantizar el contacto correcto con los engranajes del eje motor.
09. Si la cancela tiene sus retenes mecánicos (fig. 2 - G) pase directamente al punto 10. De lo contrario, si la cancela no tiene los retenes mecánicos, o no se quiere que al final de la carrera todo el impulso del motor se aplique en la hoja, es posible utilizar los finales de carrera que se encuentran dentro del motorreductor y actuar como sigue:
 - a) Introduzca los granos de regulación (tanto para el final de carrera en apertura como en cierre), en los agujeros que se encuentran en el soporte de la caja de cimentación:
 - **Apertura de la hoja de 90°:** véase fig. 9 para la hoja izquierda y para la hoja derecha.
 - **Apertura de la hoja de 180°:** véase fig. 10.
 - b) **Regulación de los finales de carrera (apertura y cierre):** atornille los finales de carrera hasta que se alcance el punto de tope deseado, tanto en apertura como en cierre, al final, añada las tuercas, y si las posiciones del final de carrera son correctas, apriételas con fuerza (fig. 11).
10. En este momento introduzca el motor dentro de la caja de cimentación, empujándolo hasta el final de la caja, para hacer corresponder los agujeros de fijación presentes en el motorreductor con los de la caja (fig. 12).
11. Introduzca en los agujeros los tornillos de fijación proporcionados (fig. 13) y enrósquelos ligeramente hasta que el motorreductor se encuentre un poco más alzado respecto al fondo de la caja.
12. Entonces, mueva lentamente la hoja para permitir la conexión con el motor y luego apriete completamente los tornillos de fijación (fig. 14).
13. Haga pasar el cable de alimentación a través de la canaleta preparada con anterioridad (fig. 15): para la conexión eléctrica a la central vea el capítulo 4 y consulte el manual de la misma.
14. Posicione las tres tapas "A, B, C" respetando la siguiente secuencia:
 - a) Apoye la tapa superior "A" a la caja de cimentación y desplácela hasta el tope (fig. 16 - 1), simultáneamente introduzca en la fisura la tapa "B" (fig. 16 - 2).
 - b) Fije la tapa "A" con los 3 tornillos proporcionados (fig. 16 - 3).
 - c) Fije la tapa inferior "C" utilizando el tornillo proporcionado (fig. 16 - 4 y 5).

3.6 - Desbloqueo y bloqueo manual del motorreductor

Para desbloquear y bloquear el motorreductor, utilice la llave triangular proporcionada:

• Desbloqueo:

01. Introduzca la llave un uno de los 2 agujeros laterales presentes en la tapa superior, y gírela 180°, indiferentemente en un sentido o en el otro (fig. 17).
02. Mueva manualmente la hoja y colóquela en la posición deseada.

• Bloqueo:

01. Introduzca la llave un uno de los 2 agujeros preparados y gírela 180°, indiferentemente en un sentido o en el otro (fig. 17).
02. La hoja se bloqueará con la primera maniobra que dirija la central.

4 CONEXIONES ELÉCTRICAS

Advertencias:

- El motorreductor se entrega con un cable de alimentación eléctrica de 2 m de largo. Por tanto, si se necesita cubrir una distancia mayor para las conexiones eléctricas, es necesario utilizar una caja de derivación (no suministrada). **¡IMPORTANTE!** – **Se prohíbe alargar el cable eléctrico dentro de la caja de cimentación.**
- **Realice las conexiones eléctricas con la alimentación de red desconectada.**

Para conectar el cable de alimentación a la central de mando, véase el manual de la misma y las siguientes indicaciones:

CABLE	CONEXIONE
cable Azul	Alimentación del motor de 24 V
cable Marrón	Alimentación del motor de 24 V
cable Negro	Encoder (solo versión SFAB2124)
cable Gris	Encoder (solo versión SFAB2124)
cable Amarillo-verde	Tierra

5 INSPECCIÓN Y PRUEBAS Y PUESTA EN SERVICIO

¡ATENCIÓN! – Las operaciones descritas en este capítulo las debe realizar solo personal calificado y experto, respetando las instrucciones del manual, las leyes y las normativas de seguridad vigentes en el territorio.

Esta es la fase más importante en la realización del automatismo, para garantizar la máxima seguridad de la instalación. El procedimiento de inspección y pruebas descrito se puede usar también para controlar periódicamente los dispositivos que componen el automatismo.

Las fases de inspección y pruebas y de la puesta en servicio del automatismo las debe realizar personal calificado y experto, que se deberá encargar de establecer las pruebas necesarias para comprobar las soluciones adoptadas en cuanto a los riesgos presentes, y de controlar que se respete lo previsto por las leyes, las normativas y los reglamentos: especialmente, de todos los requisitos de la norma EN 13241-1, que establece los métodos de prueba para controlar los automatismos para cancelas.

¡ATENCIÓN! – Antes de llevar a cabo cualquier control, es necesario desconectar todas las fuentes de alimentación eléctrica.

5.1 - Inspección y pruebas

Todos los componentes del automatismo, como los bordes sensibles, las fotocélulas, la parada de emergencia, etc. requieren una fase específica de inspección y pruebas; para estos dispositivos se deben realizar los procedimientos que se muestran en los respectivos manuales de instrucciones.

Para la inspección y pruebas de SFAB(...), actúe de la siguiente manera:

- 1 Controle que se haya respetado rigurosamente, en materia de seguridad, lo previsto en el capítulo 1 - Advertencias y precauciones generales para la seguridad.
- 2 Lleve la cancela a la posición de cierre.
- 3 Quite cualquier fuente de alimentación eléctrica a la central de mando.
- 4 Desbloquee el motorreductor con la llave apropiada, véase la sección 3.6.
- 5 Abra manualmente la hoja hasta alcanzar la posición de máxima apertura y controle que durante su movimiento no hayan puntos de fricción.
- 6 Controle que la hoja detenida en cualquier posición de su movimiento, no se mueva.
- 7 Controle que los sistemas de seguridad de los retenes mecánicos estén en buen estado.
- 8 Controle que las conexiones de tornillo estén bien apretadas.
- 9 De ser necesario, limpie el interior de la caja de cimentación y controle que la descarga del agua funcione correctamente.
- 10 Bloquee el motorreductor con la llave apropiada, véase la sección 3.6.
- 11 Conecte la alimentación eléctrica a la central de mando.
- 12 Mida la fuerza de impacto según establecen las normas EN 12445 y EN 12453. Si el control de la "fuerza del motor" lo usa la Central como ayuda al sistema para la reducción de la fuerza de impacto, trate de regular las funciones que ofrecen parámetros mejores.
- 13 Fije permanentemente, en una zona adyacente al automatismo, una etiqueta que describe como desbloquear manualmente el motorreductor.

5.2 - Puesta en servicio

La puesta en servicio puede tener lugar solo después de haber llevado a cabo con éxito todas las fases de inspección y pruebas del motorreductor y de los otros dispositivos presentes. Para la puesta en servicio consulte el manual de instrucciones de la Central de mando.

IMPORTANTE – Se prohíbe la puesta en servicio parcial o en situaciones "provisionales".

6 MANTENIMIENTO DEL PRODUCTO

El mantenimiento debe efectuarse respetando las disposiciones de seguridad de este manual y según las leyes y normativas vigentes.

Los dispositivos para la automatización no requieren mantenimiento especial; sin embargo, se debe verificar periódicamente, por lo menos cada seis meses, el perfecto funcionamiento de los mismos.

Para ello, se deben realizar enteramente las pruebas e inspecciones indicadas en el punto 5.1 "Ensayo" y llevar a cabo todo lo establecido en el punto "Operaciones de mantenimiento permitidas al usuario".

Si hay presentes otros dispositivos, se deberán respetar todas las indicaciones del plan de mantenimiento correspondiente.

ELIMINACIÓN DEL PRODUCTO

Este producto forma parte integrante del automatismo y por tanto debe ser eliminado junto al mismo.

Como para las operaciones de instalación, también al final de la vida útil de este producto, las operaciones de desmontaje deben ser llevadas a cabo por personal calificado.

Este producto está constituido por tipos diferentes de material: algunos pueden reciclarse, otros deben eliminarse. Infórmese sobre los sistemas de reciclaje o eliminación establecidos en los reglamentos vigentes en su territorio en cuanto a esta categoría de producto.

¡Atención! – algunas partes del producto pueden contener sustancias contaminantes o peligrosas que, si se eliminan en el medio ambiente, pueden provocar efectos nocivos para la salud humana y para el medio ambiente en sí.

Como lo indica el símbolo al lado, está prohibido eliminar este producto en los residuos domésticos. Realice por tanto la "recogida separada" para la eliminación, según los métodos dispuestos en los reglamentos vigentes en su territorio, o entregue el producto al vendedor al comprar un producto nuevo equivalente.



¡Atención! – los reglamentos locales vigentes pueden prever graves sanciones en caso de eliminación incorrecta de este producto.

CARACTERÍSTICAS TÉCNICAS DEL PRODUCTO

ADVERTENCIAS: • Todas las características técnicas indicadas se refieren a una temperatura ambiental de 20 °C (± 5 °C). • Nice S.p.A. se reserva el derecho a modificar el producto cuando lo considere necesario, conservando sin embargo la misma funcionalidad y destino de uso.

- **Tipo:** Motorreductor electromecánico para cancelas o portales de hojas batientes
- **Alimentación:** 24 V ===
- **Consumo de pico:** 5 A
- **Consumo máximo:** 2 A
- **Potencia de pico:** 120 W
- **Potencia máxima:** 50 W
- **Grado de protección:** IP 67
- **Movimiento:** desde 0 hasta 90 (±10°) o bien desde 0° hasta 180° (±10°) [no son posibles aperturas intermedias entre 90° y 180°]
- **Velocidad en vacío:** 1.25 rpm
- **Velocidad en par nominal:** 1 rpm
- **Par máximo:** 250 Nm
- **Par nominal:** 120 Nm
- **Temperatura de funcionamiento:** -20 °C ... +50 °C
- **Ciclos/hora en par nominal:** 60
- **Durabilidad:** Estimada entre 80.000 y 200.000 ciclos de maniobras aproximadamente, según las condiciones que se muestran en la Tabla 1
- **Dimensiones:** 230 mm x 206 mm x h 88 mm
- **Peso:** 15 kg (motorreductor con caja de cimentación)

Durabilidad del producto

La durabilidad es la vida económica media del producto. El valor de la durabilidad está influenciado fuertemente por el índice de esfuerzo de las maniobras realizadas por el automatismo: es decir, la suma de todos los factores que contribuyen al desgaste del producto (véase Tabla 1).

La estimación de durabilidad se realiza sobre la base de los cálculos de proyecto y de los resultados de pruebas realizadas con prototipos. De hecho, siendo una estimación, no representa ninguna garantía en la efectiva duración del producto.

Para establecer la durabilidad probable de su automatismo actúe de la siguiente manera:

01. Calcule el índice de esfuerzo sumando entre ellos los valores en porcentaje de las voces presentes en la **Tabla 1**.
02. En el **Gráfico A** desde el valor obtenido, trace una línea vertical hasta cruzarse con la curva, desde este punto trace una línea horizontal hasta cruzarse con la línea de los "ciclos de maniobras". El valor determinado es la durabilidad estimada de su producto.

Ejemplo del cálculo de durabilidad de un motorreductor SFAB(...).
Consulte la Tabla 1 y el Gráfico A:

- 1) - Longitud de la hoja: 1.7 m
- 2) - Peso de la hoja: 200 kg = índice esfuerzo: 20%.
- 3) - Instalación en zonas ventosas = índice de esfuerzo: 15%.
- 4) - Sin otros elementos de esfuerzo.

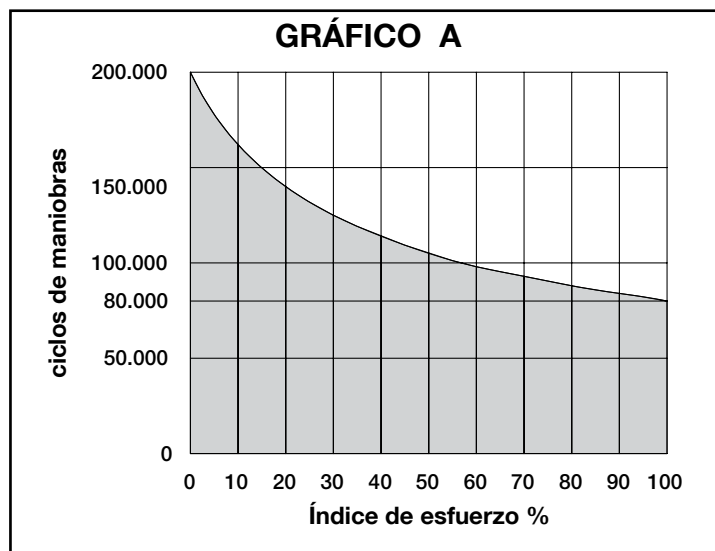
Índice de esfuerzo total = 35%

Durabilidad estimada = 120.000 ciclos de maniobras

TABLA 1

Longitud de la hoja (m)	≥ 1.50	1.51 ÷ 1.80	1.81 ÷ 2.00	2.01 ÷ 2.30
Peso de la hoja (kg)	Índice de esfuerzo			
≤ 100	0 %	10 %	20 %	30 %
101 ÷ 250	10 %	20 %	30 %	40 %
251 ÷ 300	20 %	30 %	40 %	50 %
301 ÷ 330	30 %	40 %	50 %	–
331 ÷ 400	40 %	50 %	–	–
Temperatura ambiental superior a 40 °C o inferior a 0 °C o humedad superior al 80%				15 %
Hoja ciega				15 %
Instalación en zona ventosa				15 %

GRÁFICO A



Declaración CE de conformidad y declaración de incorporación de una "cuasi máquina"

Declaración de conformidad con las Directivas: 2014/30/UE (CEM); 2006/42/CE (DM), anexo II, parte B.

Nota: el contenido de la presente declaración se corresponde con cuanto se declara en el documento oficial presentado en la sede de Nice S.p.A. y, en particular, con la última revisión disponible antes de la impresión de este manual. El texto aquí contenido se ha adaptado por cuestiones editoriales. No obstante, se puede solicitar una copia de la declaración original a Nice S.p.A. (TV) Italy.

Número de declaración: **320/XFAB** Revisión: **8** Idioma: **ES**

Nombre del fabricante: NICE S.p.A.

Dirección: Via Pezza Alta N°13, 31046 Rustignè di Oderzo (TV), Italy

Persona autorizada para elaborar la documentación técnica: NICE S.p.A. – Via Pezza Alta N°13, 31046 Rustignè di Oderzo (TV), Italy

Tipo de producto: Motorreductor electromecánico 24Vd.c., enterrado, para puertas batientes.

Modelo/Tipo: SFAB2024, SFAB2124

Accesorios:

El abajo firmante Roberto Griffa, en calidad de Chief Executive Officer, bajo su propia responsabilidad, declara que los productos arriba indicados cumplen con las disposiciones contempladas en las siguientes Directivas:

- DIRECTIVA 2014/30/UE DEL PARLAMENTO EUROPEO Y DEL CONSEJO, de 26 de febrero de 2014, relativa a la aproximación de las legislaciones de los Estados miembros en materia de compatibilidad electromagnética (refundición), según las siguientes normas armonizadas: EN 61000-6-2:2005; EN 61000-6-3:2007 + A1:2011.

Asimismo, el producto también cumple con la siguiente Directiva de conformidad con los requisitos previstos para las "cuasi máquinas":

- Directiva 2006/42/CE DEL PARLAMENTO EUROPEO Y DEL CONSEJO de 17 de mayo de 2006 relativa a las máquinas y por la que se modifica

la Directiva 95/16/CE (refundición).

- Se declara que la documentación técnica correspondiente se ha elaborado de conformidad con el anexo VII B de la Directiva 2006/42/CE y que se han respetado los siguientes requisitos fundamentales: 1.1.1 - 1.1.2 - 1.1.3 - 1.2.1 - 1.2.6 - 1.5.1 - 1.5.2 - 1.5.5 - 1.5.6 - 1.5.7 - 1.5.8 - 1.5.10 - 1.5.11.
- El fabricante se compromete a remitir a las autoridades nacionales, previa solicitud justificada, la información pertinente acerca de la "cuasi máquina", sin perjudicar en ningún momento los propios derechos de propiedad intelectual.
- En caso de que la "cuasi máquina" se ponga en funcionamiento en un país europeo cuya lengua oficial difiera de la que se utiliza en la presente declaración, el importador tiene la obligación de asociar la traducción correspondiente a esta declaración.
- Se advierte que la "cuasi máquina" no debe ponerse en funcionamiento hasta que, si procede, no se declare la conformidad con las disposiciones contempladas en la Directiva 2006/42/CE de la máquina final en que será incorporada.

El producto también cumple con las siguientes normas: EN 60335-1:2002 + A1:2004 + A11:2004 + A12:2006 + A2:2006 + A13:2008 + A14:2010 + A15:2011, EN 60335-2-103:2003+A11:2009, EN 62233:2008

El producto, con limitación a las partes aplicables, también cumple con las siguientes normas: EN 13241-1:2003+A1:2011, EN 12445:2000, EN 12453:2000, EN 12978:2003+A1:2009

Oderzo, 23 de enero 2017

Ing. **Roberto Griffa**
 (Chief Executive Officer)

1 ALLGEMEINE SICHERHEITSHINWEISE UND VORSICHTSMASSNAHMEN

ALLGEMEINE HINWEISE

Die folgenden Hinweise wurden direkt aus den geltenden Normen übernommen und sind soweit möglich auf das betreffende Produkt anwendbar.

- **ACHTUNG! - Sicherheitsrelevante Anweisungen. Alle Anweisungen strikt einhalten. Unkorrekte Installationen können schwerwiegende Schäden verursachen.**
- **ACHTUNG! - Sicherheitsrelevante Anweisungen. Damit die Sicherheit von Personen gewährleistet ist, die folgenden Anweisungen einhalten. Die vorliegende Anleitung gut aufbewahren.**
- Bevor Sie mit der Installation beginnen, sollten Sie unbedingt die „Technischen Eigenschaften des Produkts“ in dieser Anleitung prüfen, insbesondere ob das vorliegende Produkt zur Automatisierung Ihres gesteuerten Tors oder Rollladens geeignet ist. Das Gerät NICHT installieren, wenn es nicht dafür geeignet ist.
- Das Gerät darf erst verwendet werden, nachdem es wie im Abschnitt „Abnahme und Inbetriebnahme“ beschrieben in Betrieb genommen wurde.
- **ACHTUNG! - Gemäß der neuesten europäischen Gesetzgebung muss die Realisierung einer Automatisierung unter Beachtung der von der geltenden Maschinenrichtlinie vorgesehenen harmonisierten Normen erfolgen, die es erlauben, eine Erklärung über die angenommene Konformität der Automatisierung auszustellen. Unter Beachtung dessen dürfen alle Arbeiten zum Anschluss an das Stromnetz, zur Abnahme, Inbetriebsetzung und Wartung der Vorrichtung nur von einem qualifizierten und kompetenten Fachmann ausgeführt werden.**
- Vor der Installation des Geräts ist sicherzustellen, dass das gesamte Material in technischem einwandfreiem Zustand und für den Einsatzzweck geeignet ist.
- Das Produkt ist nicht dafür bestimmt, durch Personen (einschließlich Kinder) mit eingeschränkten physischen, sensorischen oder geistigen Fähigkeiten oder mangels Erfahrung und/oder mangels Wissen benutzt zu werden.
- Kinder dürfen nicht mit dem Gerät spielen.
- Erlauben Sie es Kindern nicht, mit den Steuervorrichtungen dieses Produkts zu spielen. Die Fernbedienungen von Kindern fernhalten.
- **ACHTUNG! - Um alle Gefahren im Zusammenhang mit einer unvorhergesehenen Rücksetzung der Temperatursicherung zu verhindern, darf dieses Gerät nicht über eine externe Schaltvorrichtung (z. B. eine Zeitschaltuhr) versorgt oder an einen Stromkreis angeschlossen werden, der regelmäßig ein- oder ausgeschaltet wird.**
- Die Stromversorgung der Anlage muss über eine Trennvorrichtung (nicht im Lieferumfang enthalten) ausgeführt sein, deren Öffnungsabstand der Kontakte eine vollständige Unterbrechung gemäß Überspannungskategorie III garantiert.
- Das Produkt bei der Installation vorsichtig handhaben und Quetschungen, Stöße, Herunterfallen sowie den Kontakt mit Flüssigkeiten jeder Art vermeiden. Das Produkt nicht in der Nähe von Wärmequellen positionieren und es keinen offenen Flammen aussetzen. All diese Handlungen können das Produkt beschädigen oder Ursache für Störungen oder Gefahrensituationen sein. In diesen Fällen die Installation unverzüglich abbrechen und den Kundendienst einschalten.
- Der Hersteller haftet nicht für Vermögens-, Personen- oder Sachschäden, die durch Nichtbeachtung der Montageanweisungen entstehen. In diesen Fällen ist die Garantie für Materialfehler ausgeschlossen.
- Der A-bewertete Schalldruckpegel ist geringer als 70 dB(A).
- Kinder dürfen Reinigungs- und Wartungsarbeiten, die dem Benutzer obliegen, nur dann ausüben, wenn sie von einer erwachsenen Per-

son beaufsichtigt werden.

- Das Produkt vor jeder Arbeit an der Anlage (Wartung, Reinigung) immer von der Stromversorgung abtrennen.
- Prüfen Sie die Anlage regelmäßig auf eventuelle Ungleichgewichte, Abnutzungserscheinungen und Schäden insbesondere von Kabeln, Federn und Halterungen. Verwenden Sie das Gerät nicht, wenn eine Reparatur oder Einstellung erforderlich ist, da eine unkorrekte Installation oder ein nicht ordnungsgemäßer Gewichtsausgleich der Automatisierung.
- Das Verpackungsmaterial des Produkts muss entsprechend den einschlägigen Umweltschutzvorschriften entsorgt werden.
- Halten Sie alle anwesenden Personen von der Automatisierung fern, wenn diese über die Steuerelemente bewegt wird.
- Während der Ausführung der Bewegung die Automatisierung kontrollieren und Personen solange fernhalten, bis die Bewegung abgeschlossen ist.
- Betätigen Sie das Produkt nicht, wenn in der Nähe Personen an der Automatisierung arbeiten; trennen Sie die Vorrichtung vom Stromnetz, bevor solche Arbeiten ausgeführt werden.
- Wenn das Netzkabel beschädigt ist, muss es vom Hersteller, vom technischen Kundendienst oder von einer Person mit einer ähnlichen Qualifikation ersetzt werden, um so jeder Gefahr vorzubeugen.

INSTALLATIONSHINWEISE

- Vor dem Einbau des Antriebsmotors sicherstellen, dass alle mechanischen Komponenten in einem technisch einwandfreien Zustand sind, sich korrekt im Gleichgewicht befinden und die Automatisierung vorschriftsgemäß bedient werden kann.
- Falls das zu automatisierende Tor mit einem Fußgängerzugang ausgestattet ist, wird es notwendig, an der Anlage ein Kontrollsystem zu installieren, das die Motorfunktion blockiert, wenn der Eingang für Fußgänger offen steht.
- Sicherstellen, dass die Antriebskomponenten einen ausreichenden Abstand zu den Bewegungsteilen haben und nicht die Sicht versperren. Falls kein Wahlschalter verwendet wird, müssen die Antriebskomponenten in einer Höhe von mindestens 1.5 m montiert werden und dürfen nicht zugänglich sein.
- Jede Form des Einklemmens zwischen sich bewegenden und festen Teilen ist bei den Bewegungen vorherzusehen und zu vermeiden.
- Bringen Sie das Etikett für die Bedienung von Hand dauerhaft in der Nähe des Elements an, das die Bewegung selbst erlaubt.
- Nach dem Einbau des Antriebsmotors sicherstellen, dass der gesamte Mechanismus, das Schutzsystem und die manuellen Bedienungsvorgänge ordnungsgemäß funktionieren.

2 BESCHREIBUNG DES PRODUKTS UND BESTIMMUNGSGEMÄSSER GEBRAUCH

Das vorliegende Produkt ist für den Einsatz als Antrieb von Toren mit Torflügeln und ausschließlich im Wohnbereich bestimmt.

ACHTUNG! – Jeglicher Gebrauch, der von den vorliegenden Beschreibungen abweicht oder unter anderen als den in dieser Anleitung angegebenen Umweltbedingungen stattfindet, hat als unsachgemäß und verboten zu gelten!

Das Produkt ist ein elektromechanischer Toröffner mit einem 24-V-Gleichstrommotor. Der Toröffner wird über die externe Steuerung, mit der er verbunden werden muss, mit Strom versorgt.

Bei Unterbrechungen der Stromversorgung (Stromausfall), können die Torflügel bewegt werden, wenn der Torantrieb mit dem entsprechenden Schlüssel entriegelt wird; zur manuellen Bewegung des Tors siehe Kapitel 3.6.

Das Produkt ist in 2 Versionen erhältlich:

- SFAB2024 ohne Encoder, geeignet für Steuerungen MC424.
- SFAB2124 mit Encoder, geeignet für Steuerungen MC824H.

ACHTUNG! – Torantriebe nicht mit inkompatiblen Steuerungen einsetzen.

3 INSTALLATION

3.1 - Der Installation vorausgehende Kontrollen

Vor Beginn der Installation ist zu überprüfen, ob alle Bauteile des Produkts

unbeschädigt sind, ob das gewählte Modell und der für die Installation bestimmte Ort geeignet sind.

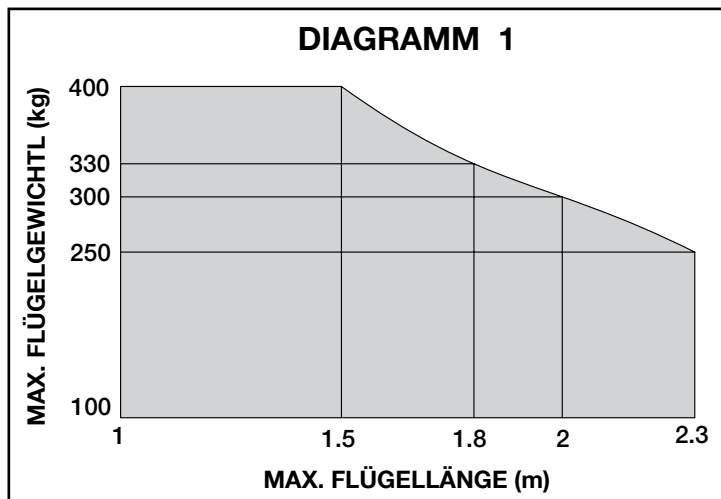
WICHTIG – Mit dem Torantrieb kann kein manuelles Tor angetrieben werden, das keinen ausreichenden mechanischen, sicheren Unterbau besitzt. Außerdem kann er Mängel infolge einer falschen Installation oder mangelhaften Wartung des Tores selbst nicht beseitigen.

3.2 - Eignung des zu automatisierenden Tors und der Umgebung

- Überprüfen, ob der mechanische Unterbau des Tors für einen Antrieb geeignet ist und den vor Ort geltenden Bestimmungen genügt (ggf. die auf dem Typenschild des Tores angegebenen Daten kontrollieren).
- Torflügel manuell öffnen und schließen und prüfen, ob die Bewegung mit an allen Stellen des Weges gleicher und konstanter Reibung erfolgt (es darf keine Stellen mit höherem Kraftaufwand geben).
- Überprüfen, ob der Torflügel im Gleichgewicht bleibt, d. h. dass er sich nicht bewegt, wenn er manuell in eine beliebige Position gebracht und losgelassen wird.
- Überprüfen, ob um den Torantrieb herum genug Platz ist, damit die Torflügel einfach und sicher manuell entriegelt werden können.
- Für das Öffnen und Schließen des Tores sind am Boden feste Endanschläge vorzusehen.
- Überprüfen, ob im Befestigungsbereich des Torantriebs für diesen ausreichend Platz ist (**Abb. 1**).

3.3 - Einsatzgrenzen des Produkts

Vor der Installation des Produkts ist zu prüfen, ob Abmessungen und Gewicht des Torflügels innerhalb der in **Diagramm 1**; angegebenen Grenzen liegen; zu berücksichtigen sind auch die klimatischen Bedingungen (z. B. starker Wind), die am Installationsort vorherrschen und die im Diagramm angegebenen Werte deutlich verringern können.



3.4 - Arbeiten zur Vorbereitung der Installation

Abb. 2 zeigt ein Beispiel für eine mit Nice-Bauteilen realisierte Antriebsanlage. Diese Bauteile sind gemäß einem typischen und gebräuchlichen Schema angeordnet.

Entsprechend **Abb. 2**, die ungefähre Position festlegen, an der die einzelnen in der Anlage vorgesehenen Teile installiert werden sollen, sowie den am besten geeigneten Anschlussplan.

Bauteile zur Realisierung einer vollständigen Anlage (**Abb. 2**):

- A** - Elektromechanische Torantriebe (Getriebemotoren)
- B** - Steuerung
- C** - Photozellen-Paar
- D** - Säulen für Photozellen-Paar (C)
- E** - Blinkleuchte mit eingebauter Antenne
- F** - Digitale Tastatur
- G** - Paar mechanischer Anschläge beim Öffnen und Schließen
- H** - Schlüsselschalter

3.5 - Installation

01. Eine Fundamentgrube mit großzügigen Abmessungen für den Einsatz des Fundamentkastens anlegen (**Abb. 3**): Zur Ableitung des Wassers ist eine Abflussleitung anzulegen, um den Rückstau zu vermeiden.
02. Fundamentkasten in die Grube einsetzen, dabei muss das Loch auf die Achse des oberen Scharniers ausgerichtet werden (**Abb. 4**).
03. Eine Leitung zur Durchführung des Stromversorgungskabels und eine zur Ableitung des Wassers vorsehen.
04. Fundamentkasten in Beton eingießen, dieser muss sich dabei perfekt in Waage befinden (**Abb. 5**).
05. Nun am unteren Teil des Flügels 3 M10-Gewindebohrungen mit mindes-

tens 15 mm Tiefe ausführen (**Abb. 6**). **Anmerkung** – Alternativ zu den Schrauben kann der Anschlusshebel für den Flügel durch eine kräftige Schweißnaht befestigt werden.

06. Anschlusshebel für den Flügel mit 3 Schrauben befestigen (**Abb. 6**).
07. **WICHTIG!** – Lagerbuchse des Fundamentkastens schmieren (**Abb. 7**).
08. In die Lagerbuchse des Fundamentkastens den bereits am Flügel befestigten Anschlusshebel einsetzen (**Abb. 8**). **SEHR WICHTIG – Kontrollieren, dass der Flügel stabil an den Torzapfen der Säule/Mauer befestigt ist, sodass er NICHTANGEHOSEN WERDEN KANN (Abb. 8-A)**. Das ist wichtig, um einen korrekten Kontakt mit den Zahnrädern der Motorwelle sicherzustellen.
09. Wenn das Tor eigene mechanische Stopper besitzt (**Abb. 2 - G**) direkt mit Punkt 10. fortfahren. Andernfalls, wenn das Tor keine eigenen mechanischen Stopper besitzt oder am Wegende nicht die gesamte Kraft des Motors auf den Flügel wirken soll, können die inneren Anschläge des Toröffners benutzt und wie folgt vorgegangen werden:
 - a) Stiftschrauben zur Einstellung (sowohl für den Anschlag beim Öffnen als auch beim Schließen) in die vorgesehenen Öffnungen im Rahmen des Fundamentkastens einsetzen:
 - Flügelöffnung 90°: siehe **Abb. 9** für den linken und den rechten Flügel.
 - Flügelöffnung 180°: siehe **Abb. 10**.
 - b) **Einstellung der Anschläge (Öffnen und Schließen)**: Anschläge bis zum Erreichen des gewünschten Anschlagpunktes beim Öffnen und Schließen einschrauben; am Ende die Muttern aufsetzen und, wenn die Positionen des Anschlags richtig sind, kräftig festziehen (**Abb. 11**).
10. Nun den Motor in den Fundamentkasten einsetzen. Diesen dabei bis zum Anschlag in den Kasten schieben, so dass die Befestigungslöcher am Toröffner mit denen des Kastens zusammen passen (**Abb. 12**).
11. Mitgelieferte Befestigungsschrauben in die Löcher einsetzen (**Abb. 13**) und leicht festziehen, bis sich der Toröffner leicht über den Boden des Kastens hebt.
12. Dann den Flügel langsam bewegen, damit das Einrasten in den Motor erfolgen kann, dann die Befestigungsschrauben fest bis zum Anschlag anziehen (**Abb. 14**).
13. Stromversorgungskabel durch den vorher angelegten Kabelkanal führen (**Abb. 15**): Zum elektrischen Anschluss an die Steuerung siehe Kapitel 4 und Anleitung der Steuerung selbst.
14. Die drei Deckelteile "A, B, C" in der folgenden Reihenfolge aufsetzen:
 - a) Oberes Deckelteil "A" auf den Fundamentkasten auflegen und bis zum Anschlag schieben (**Abb. 16 - 1**), gleichzeitig in den Schlitz das Deckelteil "B" einsetzen (**Abb. 16 - 2**).
 - b) Deckelteil "A" mit den 3 mitgelieferten Schrauben befestigen (**Abb. 16 - 3**).
 - c) Unteres Deckelteil "C" mit der mitgelieferten Schraube befestigen (**Abb. 16 - 4 e 5**).

3.6 - Manuelle Ent- und Verriegelung des Toröffners

Zum Ent- und Verriegeln des Toröffners ist der mitgelieferte dreieckige Schlüssel zu verwenden:

• Entriegelung:

01. Schlüssel in eine der beiden seitlichen Öffnungen im oberen Deckel einstecken und um 180° drehen, egal ob links- oder rechtsherum (**Abb. 17**).
02. Flügel manuell bewegen und in die gewünschte Stellung bringen.

• Verriegelung:

01. Schlüssel in eine der beiden Öffnungen einstecken und um 180° drehen, egal ob links- oder rechtsherum (**Abb. 17**).
02. Der Flügel wird bei der ersten von der Steuerung ausgelösten Bewegung verriegelt.

4 ELEKTRISCHE VERBINDUNGEN

Warnhinweise:

- Der Toröffner wird mit einem 2 m langen Stromversorgungskabel geliefert. Daher muss, wenn ein größerer Abstand für die elektrischen Verbindungen überbrückt werden muss, eine Abzweigdose (nicht mitgeliefert) verwendet werden. **WICHTIG! – Es ist verboten, im Innern des Fundamentkastens zusätzliches Elektrokabel anzuschließen.**
- Elektrische Verbindungen bei abgetrennter Stromversorgung vornehmen.

Zum Anschluss des Stromversorgungskabels an die Steuerung siehe deren Anleitung und folgende Anweisungen:

DRAHT	VERBINDUNG
Blauer Draht	Motor-Stromversorgung 24 V
Brauner Draht	Motor-Stromversorgung 24 V
Schwarzer Draht	Encoder (nur Version SFAB2124)
Grauer Draht	Encoder (nur Version SFAB2124)
Gelb-grüner Draht	Erde

5 PRÜFUNG UND INBETRIEBNAHME

ACHTUNG! – Die in diesem Kapitel beschriebenen Arbeiten dürfen ausschließlich durch erfahrenes Fachpersonal ausgeführt werden, dabei sind die Hinweise der Anleitung und die vor Ort geltenden Gesetze und Sicherheitsvorschriften zu beachten.

Dies ist die wichtigste Phase bei der Realisierung des Antriebs, um die maximale Sicherheit der Anlage zu gewährleisten. Das beschriebene Prüfverfahren kann auch zur regelmäßigen Überprüfung der Vorrichtungen verwendet werden, aus denen sich der Antrieb zusammensetzt.

Die einzelnen Phasen der Prüfung und der Inbetriebnahme des Antriebs sind durch erfahrenes Fachpersonal auszuführen, das festzulegen hat, welche Prüfungen erforderlich sind, um die gegen die bestehenden Gefahren ergriffenen Maßnahmen zu kontrollieren, und das zu kontrollieren hat, ob die Bestimmungen von Gesetzen, Rechtsvorschriften und Regelungen eingehalten werden: im Einzelnen alle Anforderungen der Norm EN 13241-1, die die Prüfmethode für Torantriebe festlegt.

ACHTUNG! – Vor der Durchführung von Prüfungen sind stets alle Stromversorgungsquellen abzutrennen.

5.1 - Prüfung

Jedes einzelne Bauteil des Torantriebs, zum Beispiel Kontaktleisten, Photozellen, Not-Aus usw. ist einer separaten Prüfung zu unterziehen; für diese Vorrichtungen sind die in den jeweiligen Bedienungsanleitungen angegebenen Verfahren durchzuführen.

Die Prüfung von SFAB(...) ist wie folgt durchzuführen:

- 1 Sicherstellen, dass hinsichtlich der Sicherheit die in Kapitel 1 - Allgemeine Sicherheitshinweise und Vorsichtsmaßnahmen - genannten Bestimmungen strikt eingehalten wurden.
- 2 Tor in geschlossene Stellung bringen.
- 3 Alle Stromversorgungsquellen an der Steuerung abtrennen.
- 4 Toröffner mit dem Entriegelungsschlüssel entriegeln, siehe Abschnitt 3.6.
- 5 Torflügel manuell bis zum Erreichen der Maximalöffnung öffnen und prüfen, ob während dessen Bewegung Reibungsstellen vorhanden sind.
- 6 Sicherstellen, dass der in einer beliebigen Position seines Weges stehen gelassene Flügel sich nicht bewegt.
- 7 Kontrollieren, ob die Sicherheitseinrichtungen und mechanischen Stopper in gutem Zustand sind.
- 8 Kontrollieren, ob die Schraubverbindungen gut festgezogen sind.
- 9 Wenn erforderlich, das Innere des Fundamentkastens reinigen und prüfen, ob die Ableitung des Wassers korrekt funktioniert.
- 10 Toröffner mit dem Entriegelungsschlüssel verriegeln, siehe Abschnitt 3.6.
- 11 Stromversorgung der Steuerung einschalten.
- 12 Schließkraftmessung gemäß EN 12445 und EN 12453 durchführen. Wird die Kontrolle der "Motorkraft" von der Steuerung als Hilfe im System zur Reduzierung der Schließkraft verwendet, versuchen, die Funktionen einzustellen, die bessere Parameter bieten.
- 13 Im Bereich neben dem Torantrieb dauerhaft ein Schild anbringen, das beschreibt, wie der Toröffner manuell entriegelt werden kann.

5.2 - Inbetriebnahme

Die Inbetriebnahme darf erst erfolgen, nachdem alle Prüfphasen des Toröffners und der anderen vorhandenen Vorrichtungen mit positivem Ergebnis durchgeführt wurden. Bei der Inbetriebnahme ist die Bedienungsanleitung der Steuerung zu beachten.

WICHTIG – Eine teilweise Inbetriebnahme oder eine Inbetriebnahme unter "provisorischen" Bedingungen ist verboten.

6 WARTUNG DES PRODUKTS

Die Wartung muss unter genauester Einhaltung der in dieser Anleitung genannten Sicherheitsvorschriften sowie der einschlägigen Gesetze und Vorschriften durchgeführt werden.

Die einzelnen Antriebskomponenten bedürfen keiner besonderen Wartung; in regelmäßigen Abständen, zumindest alle sechs Monate, muss jedoch die Funktionstüchtigkeit aller Komponenten überprüft werden.

Zu diesem Zweck sind sämtliche im Abschnitt „5.1 Abnahmeprüfung“ beschriebenen Tests und Überprüfungen sowie die im Abschnitt „Vom Benutzer ausführbare Wartungsarbeiten“ vorgesehenen Maßnahmen durchzuführen.

Sind weitere Vorrichtungen vorhanden, müssen die Angaben im entsprechenden Wartungsplan befolgt werden.

ENTSORGUNG DES PRODUKTS

Dieses Produkt ist fester Bestandteil der Automatik und ist daher zusammen mit dieser zu entsorgen.

Wie die Installationsarbeiten ist, am Ende der Lebensdauer dieses Produkts, auch die Demontage durch Fachpersonal auszuführen.

Dieses Produkt besteht aus verschiedenen Materialarten: Einige können recycelt werden, andere sind zu entsorgen. Informieren Sie sich über die Recycling- bzw. Entsorgungssysteme, die für diese Produktkategorie von den in Ihrem Land geltenden Bestimmungen vorgesehen sind.

Achtung! – Einige Teile des Produkts können umweltbelastende oder schädliche Stoffe enthalten, die nicht in die Umwelt gelangen dürfen, da sie schädliche Auswirkungen auf die Umwelt selbst und auf die menschliche Gesundheit haben können.

Wie durch das nebenstehende Symbol angegeben, ist es verboten, dieses Produkt über den Hausmüll zu entsorgen. Es ist daher gemäß den Verfahren, die von den in Ihrem Land geltenden Bestimmungen vorgesehen sind, getrennt zu entsorgen bzw. beim Kauf eines neuen, gleichwertigen Produkts beim Händler abzugeben.



Achtung! – Die örtlich geltenden Bestimmungen können für die missbräuchliche Entsorgung dieses Produktes schwere Strafen vorsehen.

TECHNISCHE DATEN DES PRODUKTS

HINWEISE: • Alle angegebenen technischen Daten beziehen sich auf eine Umgebungstemperatur von 20°C (± 5°C). • Nice S.p.A. behält sich das Recht vor, jederzeit am Produkt Änderungen vorzunehmen, wenn dies für erforderlich gehalten wird, dabei aber dessen Funktionen und bestimmungsgemäßer Gebrauch gleich bleiben.

- **Geräteart:** Elektromagnetischer Getriebemotor-Antrieb für Tore mit Torflügeln
- **Stromversorgung:** 24 V ==
- **Spitzenstromaufnahme:** 5 A
- **Höchststromaufnahme:** 2 A
- **Spitzenleistung:** 120 W
- **Höchstleistung:** 50 W
- **Schutzklasse:** IP 67
- **Weg:** 0° bis 90° (±10°) bzw. 0° bis 180° (±10°) [nicht möglich sind Öffnungswege zwischen 90° und 180°]
- **Leerlaufdrehzahl:** 1.25 U/min
- **Drehzahl bei Nenndrehmoment:** 1 U/min
- **Maximales Drehmoment:** 250 Nm
- **Nenndrehmoment:** 120 Nm
- **Betriebstemperatur:** -20 °C ... +50 °C
- **Zyklen pro Std. bei Nenndrehmoment:** 60
- **Lebensdauer:** Geschätzt etwa 80.000 bis 200.000 Bewegungszyklen, gemäß den in Tabelle 1 angegebenen Bedingungen
- **Abmessungen:** 230 mm x 206 mm x h 88 mm
- **Gewicht:** 15 kg (Toröffner mit Fundamentkasten)

Standzeit des Produkts

Die Standzeit ist die mittlere wirtschaftliche Lebenszeit des Produkts. Die Standzeit wird stark beeinflusst vom Belastungsindex der vom Antrieb ausgeführten Bewegungen: D. h. die Summe aller Faktoren, die zum Verschleiß des Produkts beitragen (siehe Tabelle 1).

Die Schätzung der Standzeit erfolgt aufgrund der Planungsberechnungen und der Ergebnisse von an Prototypen ausgeführten Versuchen. Da es sich um eine Schätzung handelt, ist sie keine Garantie für die tatsächliche Lebensdauer des Produkts.

Um die wahrscheinliche Standzeit Ihres Antriebs zu bestimmen, gehen Sie folgendermaßen vor:

01. Berechnen Sie den **Belastungsindex**, indem Sie die Prozentwerte der Einträge in **Tabelle 1**.
02. Ziehen Sie in **Diagramm A** vom soeben ermittelten Wert eine senkrechte Linie bis zum Schneiden der Kurve; von diesem Punkt ziehen Sie eine waagerechte Linie bis zum Schneiden der Linie der "Bewegungszyklen". Der so bestimmte Wert ist die geschätzte Standzeit Ihres Produkts.

Beispiel für die Standzeitberechnung eines Toröffners SFAB (...). Siehe Tabelle 1 und Diagramm A:

- 1) - Länge des Flügels: 1.7 m
- 2) - Gewicht des Flügels: 200 kg = Belastungsindex: 20%.
- 3) - Installation in windreichen Gebieten = Belastungsindex: 15%.
- 4) - Keine weiteren Ermüdungsfaktoren.

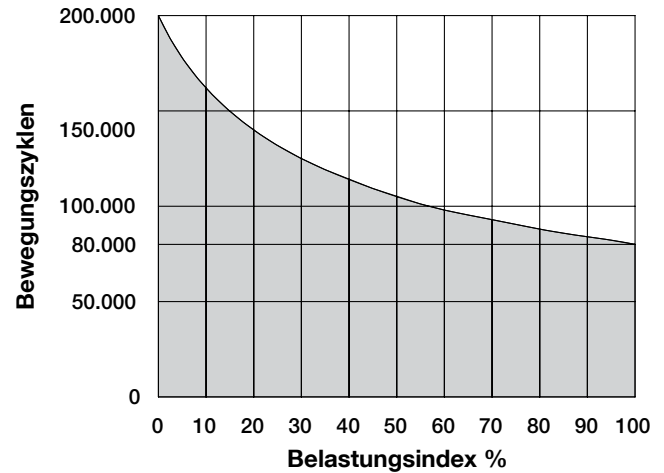
Gesamtbelastungsindex = 35%

Geschätzte Standzeit = 120.000 Bewegungszyklen

TABELLE 1

Länge des Flügels (m)	≥ 1.50	1.51 ÷ 1.80	1.81 ÷ 2.00	2.01 ÷ 2.30
Gewicht des Flügels (kg)	Belastungsindex			
≤ 100	0 %	10 %	20 %	30 %
101 ÷ 250	10 %	20 %	30 %	40 %
251 ÷ 300	20 %	30 %	40 %	50 %
301 ÷ 330	30 %	40 %	50 %	–
331 ÷ 400	40 %	50 %	–	–
Umgebungstemperatur über 40 °C oder unter 0 °C oder Feuchtigkeit über 80%				15 %
Flügel mit Füllung				15 %
Installation in windreichem Gebiet				15 %

DIAGRAMM A



CE-Konformitätserklärung und Erklärung für den Einbau Einer „unvollständigen Maschine“

Erklärung in Übereinstimmung mit den Richtlinien: 2014/30/UE (EMV); 2006/42/EG (MD) Anlage II, Teil B.

Anmerkung - Der Inhalt dieser Erklärung entspricht den Angaben im offiziellen Dokument, das im Sitz der Nice S.p.A. hinterlegt ist und der letzten verfügbaren Revision vor dem Druck dieser Anleitung. Dieser Text wurde aus redaktionellen Gründen angepasst. Die Kopie der Original-Erklärung kann bei der Firma Nice S.p.A. (TV) Italy angefordert werden.

Nummer der Erklärung: **320/XFAB** Revision: **8** Sprache: **DE**

Name des Herstellers: NICE S.p.A.

Adresse: Via Pezza Alta N°13, 31046 Rustignè di Oderzo (TV) Italy

Bevollmächtigte Person zum Zusammenstellen der technischen Unterlagen: NICE S.p.A. – Via Pezza Alta N°13, 31046 Rustignè di Oderzo (TV) Italy

Art des Produkts: Elektromechanischer Unterflur-Toröffner 24Vd.c., für Drehtore.

Modell / Typ: SFAB2024, SFAB2124

Zubehör:

Der Unterzeichnende Roberto Griffa, in seiner Funktion als Chief Executive Officer, erklärt auf eigene Verantwortung, dass die oben genannten Produkte den Bestimmungen entsprechen, die in folgenden Richtlinien enthalten sind:

- RICHTLINIE 2014/30/UE DES EUROPÄISCHEN PARLAMENTS UND DES RATES vom 26. Februar 2014 zur Angleichung der Rechtsvorschriften der Mitgliedsstaaten über die elektromagnetische Verträglichkeit (Überarbeitung), gemäß den folgenden harmonisierten Normen: EN 61000-6-2:2005; EN 61000-6-3:2007 + A1:2011.

Außerdem entspricht das Produkt folgender Richtlinie, entsprechend der vorgesehenen Anforderungen für die „unvollständigen Maschinen“:

- Richtlinie 2006/42/EG DES EUROPÄISCHEN PARLAMENTS UND DES

RATES vom 17. Mai 2006 über Maschinen, welche die Richtlinie 95/16/EG ändert (Überarbeitung).

- Hiermit wird erklärt, dass die entsprechenden technischen Unterlagen in Übereinstimmung mit Anlage VII B der Richtlinie 2006/42/EG zusammengestellt und die folgenden wesentlichen Anforderungen eingehalten wurden: 1.1.1 - 1.1.2 - 1.1.3 - 1.2.1 - 1.2.6 - 1.5.1 - 1.5.2 - 1.5.5 - 1.5.6 - 1.5.7 - 1.5.8 - 1.5.10 - 1.5.11.
- Der Hersteller verpflichtet sich, die Informationen über die „unvollständige Maschine“ auf Verlangen an die nationalen Behörden weiterzuleiten, wobei die eignen Rechte des geistigen Eigentums beibehalten werden.
- Wenn die „unvollständige Maschine“ in einem europäischen Land in Betrieb genommen wird, deren offizielle Sprache nicht der in dieser Erklärung entspricht, ist der Importeur verpflichtet, dieser Erklärung die entsprechende Übersetzung beizulegen.
- Wir weisen darauf hin, dass die „unvollständige Maschine“ erst dann in Betrieb genommen werden darf, wenn gegebenenfalls festgestellt wurde, dass die Maschine, in die die unvollständige Maschine eingebaut werden soll, den Bestimmungen der Richtlinie 2006/42/EG entspricht.

Außerdem entspricht das Produkt folgenden Normen: EN 60335-1:2002 + A1:2004 + A11:2004 + A12:2006 + A2:2006 + A13:2008 + A14:2010 + A15:2011, EN 60335-2-103:2003+A11:2009, EN 62233:2008

Das Produkt entspricht, auf die anwendbaren Teile begrenzt, folgenden Normen: EN 13241-1:2003+A1:2011, EN 12445:2000, EN 12453:2000, EN 12978:2003+A1:2009

Oderzo, 23, Januar 2017

Ing. **Roberto Griffa**
(Chief Executive Officer)

1 OGÓLNE UWAGI I ŚRODKI OSTROŻNOŚCI DOTYCZĄCE BEZPIECZEŃSTWA

OGÓLNE OSTRZEŻENI

Poniższe ostrzeżenia zostały skopiowane bezpośrednio z Przepisów i, jeśli jest to możliwe, należy je stosować do niniejszego produktu.

- **UWAGA! - Ważne instrukcje bezpieczeństwa. Należy przestrzegać wszystkich instrukcji, ponieważ nieprawidłowy montaż może być przyczyną poważnych szkód.**
- **UWAGA! - Ważne instrukcje bezpieczeństwa. W celu zapewnienia bezpieczeństwa osób, należy przestrzegać niniejszych instrukcji. Należy zachować niniejszą instrukcję.**
- Przed rozpoczęciem montażu należy sprawdzić informacje na temat „Parametrów technicznych produktu” (zawartych w niniejszej instrukcji), a w szczególności, czy urządzenie jest przystosowane do napędzania posiadanego przez Państwa urządzenia. Jeżeli produkt nie jest odpowiedni, NIE należy wykonywać montażu.
- Nie używać urządzenia, jeśli nie przeprowadzono procedury oddania do eksploatacji, opisanej w rozdziale „Odbiór i przekazanie do eksploatacji”.
- **UWAGA! - Według najnowszych, obowiązujących przepisów europejskich, wykonanie drzwi lub bramy automatycznej musi być zgodne z obowiązującą Dyrektywą Maszynową umożliwiającą zadeklarowanie zgodności automatyki. W związku z tym, wszystkie czynności polegające na podłączeniu do sieci elektrycznej, wykonywaniu prób odbiorczych, przekazywaniu do eksploatacji i konserwacji urządzenia muszą być wykonywane wyłącznie przez wykwalifikowanego i kompetentnego technika!**
- Przed przystąpieniem do montażu produktu należy sprawdzić, czy wszystkie elementy i materiały przeznaczone do użycia znajdują się w idealnym stanie i są odpowiednie do użycia.
- Urządzenie nie jest przeznaczone do użytku przez osoby (również dzieci), których możliwości fizyczne, czuciowe lub umysłowe są ograniczone. Z urządzenia nie mogą również korzystać osoby bez doświadczenia i stosownej wiedzy.
- Nie zezwalać dzieciom na zabawę urządzeniem.
- Nie zezwalać dzieciom na zabawę urządzeniami sterującymi produktem. Przechowywać piloty w miejscu niedostępnym dla dzieci.
- **UWAGA! - W celu uniknięcia jakiegokolwiek zagrożenia na skutek przypadkowego uzbrojenia termicznego urządzenia odłączającego, nie należy zasilать tego urządzenia przy użyciu zewnętrznego urządzenia, jak zegar lub podłączać go do obwodu charakteryzującego się regularnym podłączeniem lub odłączeniem zasilania.**
- W sieci zasilającej instalacji należy przygotować urządzenie odłączające (nieznajdujące się na wyposażeniu), którego odległość pomiędzy stykami podczas otwarcia zapewnia całkowite odłączenie w warunkach określonych przez III kategorię przepięciową.
- Podczas montażu, należy delikatnie obchodzić się z urządzeniem, chroniąc je przed zgnieceniem, uderzeniem, upadkiem lub kontaktem z jakiegokolwiek rodzaju płynami. Nie umieszczać urządzenia w pobliżu źródeł ciepła i nie wystawiać go na działanie otwartego ognia. Opisane powyżej sytuacje mogą doprowadzić do uszkodzenia urządzenia, być przyczyną nieprawidłowego działania lub zagrożeń. Jeżeli doszłoby do którejś z opisanych sytuacji, należy natychmiast przerwać montaż i zwrócić się o pomoc do Serwisu Technicznego.
- Producent nie ponosi odpowiedzialności za szkody materialne lub osobowe powstałe w wyniku nieprzestrzegania instrukcji montażu. W takich przypadkach, nie ma zastosowania rękojmi za wady materialne.
- Poziom ciśnienia akustycznego emisji skorygowanego charakterystyką A jest niższy od 70 dB(A).
- Czyszczenie i konserwacja, za którą jest odpowiedzialny użytkownik, nie powinna być wykonywana przez dzieci pozbawione opieki.
- Przed wykonaniem działań na instalacji (konserwacja, czyszczenie), należy zawsze odłączyć produkt od sieci zasilającej.
- Należy wykonywać okresowe przeglądy instalacji, a w szczególności

przewodów, sprężyn i wsporników, celem wykrycia ewentualnego braku wyważenia lub oznak zużycia, czy uszkodzeń. Nie używać w razie konieczności naprawy lub regulacji, ponieważ obecność usterek lub niewłaściwe wyważenie automatyki może prowadzić do poważnych obrażeń.

- Materiał opakowaniowy podlega utylizacji zgodnie z lokalnymi przepisami.
- Osoby trzecie nie powinny się znajdować w pobliżu bramy podczas jej przesuwania przy użyciu elementów sterowniczych.
- Podczas wykonywania manewru, należy nadzorować automatykę i zadbać o to, aby inne osoby nie zbliżały się do urządzenia, aż do czasu zakończenia czynności.
- Nie sterować automatyką, jeżeli w jej pobliżu znajdują się osoby wykonujące czynności; przed wykonaniem tych czynności należy odłączyć zasilanie elektryczne.
- Jeśli przewód zasilający jest uszkodzony, należy go wymienić na identyczny dostępny u producenta lub w serwisie technicznym lub u innej osoby posiadającej porównywalne kwalifikacje, aby uniknąć jakiegokolwiek ryzyka.

OSTRZEŻENIA NA TEMAT MONTAŻU

- Przed zamontowaniem silnika, należy sprawdzić stan wszystkich części mechanicznych, odpowiednie wyważenie i upewnić się, czy możliwe jest prawidłowe manewrowanie automatyką.
- Jeżeli brama przeznaczona do zautomatyzowania posiada również drzwi dla pieszych, należy przygotować instalację z systemem kontrolnym, który uniemożliwi działanie silnika, gdy drzwi dla pieszych będą otwarte.
- Upewnić się, że elementy sterownicze znajdują się z dala od części w ruchu, umożliwiając w każdym razie ich bezpośrednią widoczność. W razie niestosowania przełącznika, elementy sterownicze należy montować w miejscu niedostępnym i na minimalnej wysokości 1.5 m.
- Zapobiegać i unikać jakiegokolwiek uwięzienia między częściami stałymi i częściami w ruchu podczas wykonywania manewrów.
- Umieścić na stałe tabliczkę na temat ręcznego manewru w pobliżu elementu umożliwiającego wykonanie manewru.
- Po zamontowaniu silnika należy się upewnić, że prawidłowo funkcjonuje mechanizm, system ochrony i każdy manewr ręczny.

2 OPIS PRODUKTU I JEGO PRZEZNACZENIE

Niniejszy produkt przeznaczony jest do zautomatyzowania bramek lub bram z wahadłowymi skrzydłami, w środowisku wyłącznie mieszkaniowym.

UWAGA! – Jakiegokolwiek użycie inne od opisanego i w warunkach środowiska innych od podanych w niniejszej instrukcji uznać należy za niewłaściwe i zakazane!

Produkt jest elektromechanicznym siłownikiem, wyposażonym w silnik na prąd stały o wartości 24 V. Siłownik zasilany jest z centrali zewnętrznej, do której należy go podłączyć.

W razie przerwy w dopływie energii elektrycznej (black-out), można poruszać skrzydłami bramki odblokowując siłownik za pomocą specjalnego klucza; w celu wykonania ruchu ręcznego patrz rozdział 3.6.

Produkt dostępny jest w 2 wersjach:

- SFAB2024 bez kodera, odpowiedni do centrali model MC424.
- SFAB2124 z koderem, odpowiedni do centrali model MC824H.

UWAGA! – Nie korzystać z siłowników z niekompatybilnymi centralami.

3 MONTAŻ

3.1 - Kontrole wstępne przed montażem

Przed przejściem do montażu, należy sprawdzić integralność komponentów produktu, odpowiedniość wybranego modelu i odpowiedniość otoczenia przeznaczonego do montażu.

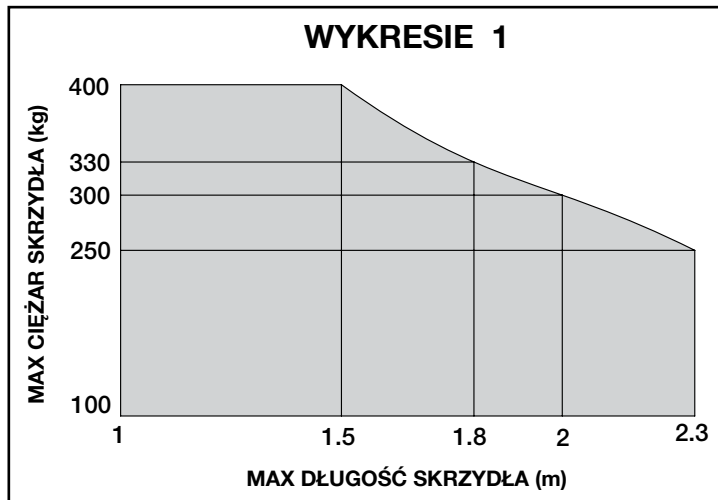
WAŻNE – Siłownik nie może zautomatyzować bramki ręcznej bez skutecznej i solidnej struktury mechanicznej. Ponadto, nie może naprawić uszkodzeń spowodowanych błędnym montażem lub nieprawidłową konserwacją samej bramki.

3.2 - Zgodność bramki do zautomatyzowania i pobliskiego otoczenia

- Sprawdzić, czy struktura mechaniczna bramki nadaje się do zautomatyzowania i jest zgodna z obowiązującymi na danym obszarze normami (ewentualnie odnieść się do danych na etykiecie bramki).
- Poruszając ręcznie skrzydłem bramki podczas Otwarcia i Zamknięcia, sprawdzić, czy ruch wykonywany jest z jednolitym tarciem w każdym punkcie biegu (nie powinno dojść do większych naprężeń).
- Sprawdzić, czy skrzydło bramki pozostaje w równowadze, tzn., czy nie przemieszcza się, jeśli zostanie ręcznie doprowadzona do jakiegokolwiek pozycji i pozostawiona nieruchomo.
- Sprawdzić, czy przestrzeń wokół siłownika umożliwia ręczne odblokowanie skrzydeł bramki, w sposób łatwy i pewny.
- Przygotować ograniczniki biegu na podłożu zarówno do otwarcia jak i do zamknięcia bramki.
- Sprawdzić, czy strefa mocowania siłownika jest zgodna z jego gabarytami (rys. 1).

3.3 - Ograniczenia związane z użyciem produktu

Przed zamontowaniem produktu należy sprawdzić, czy wymiary i ciężar skrzydła bramki znajdują się w zakresie granic wskazanych na wykresie 1; należy oszacować również warunki klimatyczne (np. silny wiatr) w miejscu montażu, które mogą znacznie ograniczyć wartości wskazane na wykresie.



3.4 - Prace przygotowawcze do montażu

Rys. 2 wskazuje przykład instalacji automatu wykonanej z użyciem komponentów Nice. Niniejsze komponenty rozmieszczone są zgodnie z typowym i zwyczajnym schematem.

Odnosząc się do rys. 2, należy ustalić przybliżoną pozycję, w której zostanie zamontowany każdy komponent przewidziany w instalacji i jak najbardziej odpowiedni schemat połączenia.

Komponenty przydatne do wykonania kompletnej instalacji (rys. 2):

- A - Siłowniki elektromechaniczne
- B - Centrala
- C - Para fotokomórek
- D - Kolumny do pary fotokomórek (C)
- E - Sygnalizator migający z wbudowaną anteną
- F - Klawiatura cyfrowa
- G - Para ograniczników mechanicznych podczas otwierania i zamykania
- H - Przełącznik na klucz

3.5 - Montaż

01. Przygotować wykop fundamentowy o znacznych wymiarach, aby włożyć skrzynkę fundamentową (rys. 3); przygotować kanał odpływowy do drenażu wody, aby uniknąć zastojów.
02. Umieścić skrzynkę fundamentową w wykopie, wyrównaną otworem z osią zawiasu górnego (rys. 4).
03. Przygotować jeden kanał do przeprowadzenia przewodu zasilania i jeden do drenażu wody.
04. Zanurzyć skrzynkę fundamentową w betonie, dbając o jej idealne wypoziomowanie (rys. 5).
05. Na tym etapie, w dolnej części skrzydła wykonać 3 gwintowane otwory M10 o minimalnej głębokości 15 mm (rys. 6). **Adnotacja** – Zamiast śrub można przymocować dźwignię zaczepową dla skrzydła solidnym spawem.
06. Przymocować dźwignię zaczepową dla skrzydła korzystając z 3 śrub (rys. 6).
07. **WAŻNE!** – Nasmarować panewkę skrzynki fundamentowej (rys. 7).
08. Włożyć do panewki skrzynki fundamentowej, dźwignię zaczepową przymocowaną już do skrzydła (rys. 8). **BARDZO WAŻNE** – Sprawdzić, czy skrzydło jest dobrze przymocowane do słupka/muru tak, aby NIE MOGŁO ZOSTAĆ UNIESIONE (rys. 8-A). Ma to na celu zapewnienie

prawidłowego styku między kołami zębatymi wału silnika.

09. Jeśli bramka wyposażona jest we własne ograniczniki mechaniczne (rys. 2 - G) przejść bezpośrednio do punktu 10. W przeciwnym razie, jeśli bramka nie posiada własnych ograniczników mechanicznych lub klient nie życzy sobie, aby na koniec biegu cały nacisk silnika oddziaływał na skrzydło, można skorzystać z ograniczników wewnętrznych siłownika i postąpić, jak wskazano poniżej:
 - a) Włożyć kołki regulacyjne (zarówno dla ograniczników podczas otwierania jak i zamykania) do przygotowanych otworów znajdujących się w podporze skrzynki fundamentowej:
 - **Otwarcie skrzydła o 90°:** patrz rys. 9 przypadku skrzydła lewego i skrzydła prawego.
 - **Otwarcie skrzydła o 180°:** patrz rys. 10.
 - b) **Regulacja ograniczników (otwarcie i zamknięcie):** przykręcić ograniczniki, aż do pożądanego punktu blokady zarówno podczas otwarcia jak i podczas zamknięcia; następnie nałożyć nakrętki i jeśli pozycje ograniczników są właściwe, dokręcić nakrętki z całej siły (rys. 11).
10. Teraz włożyć silnik do skrzynki fundamentowej dopychając go do końca, aby otwory do przymocowania znajdujące się na siłowniku zgadzały się z otworami samej skrzynki (rys. 12).
11. Do otworów włożyć śruby mocujące z wyposażenia (rys. 13) i lekko je dokręcić, dopóki siłownik nie uniesie się lekko ponad spód skrzynki.
12. Następnie poruszyć lekko skrzydłem, aby umożliwić jego sprężenie się z silnikiem i docisnąć do końca śruby mocujące (rys. 14).
13. Przeprowadzić przewód zasilania przez uprzednio przygotowany kanał (rys. 15); aby wykonać połączenie elektryczne z centralą - patrz rozdział 4 i odnieść się do instrukcji samej centrali.
14. Umieścić na odpowiedniej pozycji trzy przykrywkę "A, B, C" przestrzegając poniższej kolejności:
 - a) Oprzeć przykrywkę górną "A" na skrzynce fundamentowej i przesunąć ją do końca (rys. 16 - 1), jednocześnie włożyć w otwór przykrywkę "B" (rys. 16 - 2).
 - b) Przymocować przykrywkę "A" za pomocą 3 śrub z wyposażenia (rys. 16 - 3).
 - c) Przymocować przykrywkę dolną "C" korzystając ze śrub z wyposażenia (rys. 16 - 4 e 5).

3.6 - Ręczne odblokowanie i zablokowanie siłownika

Aby odblokować i zablokować siłownik, skorzystać z trójkątnego klucza z wyposażenia:

• Odblokowanie:

01. Włożyć klucz do jednego z 2 otworów bocznych na przykrywce górnej i przekręcić go o 180°, w jedną albo w drugą stronę (rys. 17).
02. Poruszyć ręcznie skrzydłem i doprowadzić je do pożądanego pozycji.

• Zablokowanie:

01. Włożyć klucz do jednego z 2 przygotowanych otworów i przekręcić go o 180°, w jedną albo w drugą stronę (rys. 17).
02. Skrzydło zablokuje się przy pierwszym ruchu zleconym z centrali.

4 POŁĄCZENIA ELEKTRYCZNE

Uwaga:

- Siłownik dostarczony jest z przewodem zasilania elektrycznego o długości 2 m. Dlatego też, jeśli wymagany jest dłuższy przewód do wykonania połączeń elektrycznych, należy skorzystać z puszek rozgałęźnej (nie wchodzącej w skład wyposażenia). **WAŻNE!** – Zakazane jest wykonywanie przedłużeń przewodu elektrycznego w skrzynce fundamentowej.
- Podłączenia elektryczne należy wykonać, gdy zasilanie sieciowe jest odłączone.

Aby podłączyć przewód zasilania do centrali - patrz instrukcja centrali i następujące wskazania:

PRZEWÓD	POŁĄCZENIE
przewód Niebieski	Zasilanie silnika 24 V
przewód Brązowy	Zasilanie silnika 24 V
przewód Czarny	Koder (tylko wersja SFAB2124)
przewód Szary	Koder (tylko wersja SFAB2124)
przewód Żółto-zielony	Uziemienie

5 TEST KONTROLNY I URUCHOMIENIE

UWAGA! – Czynności opisane w niniejszym rozdziale może przeprowadzić wyłącznie wykwalifikowany i doświadczony personel, przestrzegając wytycznych z instrukcji, przepisów i norm bezpieczeństwa obowiązujących na danym obszarze.

Jest to najważniejszy etap przeprowadzania automatyzacji, aby zagwarantować maksymalne bezpieczeństwo instalacji. Z opisanej procedury testu kontrolnego można również skorzystać podczas okresowych kontroli urządzeń tworzących automat.

Etapy testu kontrolnego i uruchomienia automatu musi przeprowadzić wykwalifikowany i doświadczony personel, który wykona konieczne próby, aby sprawdzić rozwiązania przyjęte względem obecnego ryzyka oraz zastosowanie się do treści przepisów, norm i rozporządzeń: a szczególnie - wszystkie wytyczne normy EN 13241-1 ustalającej metody próbne kontroli automatów do bram.

UWAGA! – Przed przeprowadzeniem jakiegokolwiek kontroli, należy odłączyć wszystkie źródła zasilania elektrycznego.

5.1 - Test kontrolny

Każdy pojedynczy komponent automatu, na przykład czułe krawędzie, fotokomórki, zatrzymanie awaryjne, itd. wymaga specjalnego testu kontrolnego; dla tych urządzeń należy przeprowadzić procedury znajdujące się w odpowiednich instrukcjach obsługi.

Aby wykonać test kontrolny SFAB(...), wykonać, co podano:

- 1 Sprawdzić, czy surowo przestrzegano zaleceń w kwestii bezpieczeństwa w rozdziale 1 - Ogólne uwagi i środki ostrożności dotyczące bezpieczeństwa.
- 2 Doprowadzić bramkę do pozycji zamknięcia.
- 3 Odłączyć jakiekolwiek źródło zasilania elektrycznego od centrali.
- 4 Odblokować siłownik za pomocą odpowiedniego klucza, patrz paragraf 3.6.
- 5 Otworzyć ręcznie skrzydło aż do osiągnięcia maksymalnej pozycji otwarcia i sprawdzić, czy podczas ruchu brak jest punktów tarcia.
- 6 Sprawdzić, czy pozostawione nieruchomo skrzydło na jakiegokolwiek pozycji swojego biegu, nie rusza się.
- 7 Sprawdzić, czy systemy bezpieczeństwa i ograniczniki mechaniczne są w dobrym stanie.
- 8 Sprawdzić, czy połączenia śrubowe są dobrze dokręcone.
- 9 W razie konieczności wyczyścić wnętrze skrzynki fundamentowej i sprawdzić, czy drenaż wody funkcjonuje poprawnie.
- 10 Zablokować siłownik za pomocą odpowiedniego klucza, patrz paragraf 3.6.
- 11 Doprowadzić zasilanie elektryczne do centrali.
- 12 Dokonać pomiaru siły uderzenia zgodnie z postanowieniami zawartymi w normach EN 12445 i EN 12453. Jeśli kontrola "siły napędowej" użyta jest przez Centralę jako pomoc dla systemu, aby ograniczyć siłę uderzenia, należy spróbować wyregulować funkcje oferujące lepsze parametry.
- 13 W pobliżu automatu, przymocować na stałe etykietę opisującą sposób ręcznego odblokowania siłownika.

5.2 - Uruchomienie

Siłownik można uruchomić dopiero po pomyślnym przeprowadzeniu i zakończeniu wszystkich faz testu kontrolnego zarówno siłownika jak i innych obecnych urządzeń. Aby przygotować sprzęt do pracy, odnieść się do instrukcji obsługi Centrali.

WAŻNE – Zakazane jest uruchamianie częściowe lub w sytuacjach "pro wizorycznych".

6 KONSERWACJA PRODUKTU

Czynności konserwacyjne muszą być wykonywane ściśle według zasad bezpieczeństwa opisanych w niniejszej instrukcji oraz w zgodzie z obowiązującymi przepisami i normami.

Urządzenia automatyki nie wymagają specjalnych czynności konserwacyjnych; należy jednak sprawdzać okresowo ich funkcjonowanie, przynajmniej co sześć miesięcy.

W tym celu, należy powtórzyć wszystkie testy opisane w punkcie 5.1 „Odbiór” i czynności opisane w punkcie „Konserwacja do wykonania przez użytkownika”. W przypadku występowania innych, dodatkowych urządzeń, należy przestrzegać planu konserwacji przedstawionego w odpowiednich instrukcjach obsługi.

LIKwidACJA PRODUKTU

Niniejszy produkt stanowi integralną część automatu, z tego względu musi zostać poddany likwidacji wraz z nim.

Tak, jak w przypadku czynności montażowych, również na zakończenie okresu funkcjonowania niniejszego produktu, czynności rozbiórki musi wykonać wykwalifikowany personel.

Niniejszy produkt został wykonany z różnych rodzajów materiału; niektóre z nich można poddać recyklingowi, inne - utylizacji. Należy zasięgnąć informacji dotyczących recyklingu lub utylizacji wskazanych w rozporządzeniach obowiązujących w Państwie kraju, dotyczących tej kategorii produktu..

Uwaga! – niektóre części produktu mogą zawierać substancje zanieczyszczające lub niebezpieczne, które po rozproszeniu w środowisku mogłyby negatywnie wpłynąć zarówno na środowisko jak i ludzkie zdrowie..

Jak wskazane przez symbol z boku, zakazane jest wyrzucanie niniejszego produktu do odpadów domowych. Należy więc dokonać "selektywnej zbiórki odpadów" w celu utylizacji, w sposób przewidziany przez rozporządzenia w Państwa kraju, lub zwrócić produkt do sprzedawcy w momencie zakupu nowego równoznacznego produktu.



Uwaga! – rozporządzenia obowiązujące na poziomie lokalnym mogą uwzględniać poważne kary w razie nielegalnej likwidacji niniejszego produktu.

CECHY TECHNICZNE PRODUKTU

UWAGI: • Wszystkie podane cechy techniczne, odnoszą się do temperatury otoczenia 20°C (± 5°C). • Nice S.p.A. zastrzega sobie prawo wprowadzenia zmian w produkcie w jakimkolwiek momencie, gdy uzna to za konieczne, zachowując jednocześnie jego funkcjonalność i przeznaczenie.

- **Typologia:** Siłownik elektromechaniczny do bramek lub bram skrzydłowych
- **Zasilanie:** 24 V $\overline{\text{---}}$
- **Pobór szczytowy:** 5 A
- **Pobór maksymalny:** 2 A
- **Moc szczytowa:** 120 W
- **Moc maksymalna:** 50 W
- **Stopień ochrony:** IP 67
- **Bieg:** od 0° do 90° (±10°) lub od 0° do 180° (±10°) [nie jest możliwe otwarcie pośrednie między 90° i 180°]
- **Prędkość na biegu jałowym:** 1.25 rpm
- **Prędkość z momentem znamionowym:** 1 rpm
- **Moment maksymalny:** 250 Nm
- **Moment znamionowy:** 120 Nm
- **Temperatura funkcjonowania:** -20 °C ... +50 °C
- **Cykle/godzinę z momentem znam:** 60
- **Trwałość:** Szacowana na ok. 80.000 i 200.000 cykli ruchów, wg warunków podanych w Tabeli 1
- **Wymiary:** 230 mm x 206 mm x h 88 mm
- **Ciężar:** 15 kg (siłownik ze skrzynką fundamentową)

Trwałość produktu

Trwałość jest ekonomicznym "życiem" produktu. Wartość trwałości podlega silnemu wpływowi wskaźnikowi intensywności ruchów wykonanych przez automat: tzn. jest sumą wszystkich czynników wpływających na zużycie się produktu (patrz Tabela 1).

Szacowanie trwałości odbywa się na podstawie obliczeń projektowych i wyników prób wykonanych na prototypach. Dlatego też, ze względu na to, że jest to tylko oszacowanie, nie stanowi żadnej gwarancji faktycznej trwałości produktu.

Aby ustalić prawdopodobny okres trwałości Waszego automatu, postąpić następująco:

01. Obliczyć **wskaźnik intensywności**, sumując wartości w procentach haseł z **Tabeli 1**.

02. Na **Wykresie A** od dopiero co znalezionej wartości, nakreślić pionową linię aż do skrzyżowania jej z zakrętem; z tego miejsca nakreślić linię poziomą aż do skrzyżowania jej z linią "cykli ruchów". Określona wartość jest **szacowaną trwałością** Waszego produktu.

Przykład obliczenia trwałości siłownika SFAB(...).

Odnieść się do Tabeli 1 i Wykresu A):

- 1) - Długość skrzydła: 1.7 m
- 2) - Ciężar skrzydła: 200 kg = wskaźnik intensywności: 20%.
- 3) - Montaż w strefach wietrznych = wskaźnik intensywności: 15%.
- 4) - Nieobecne inne elementy wysiłkowe.

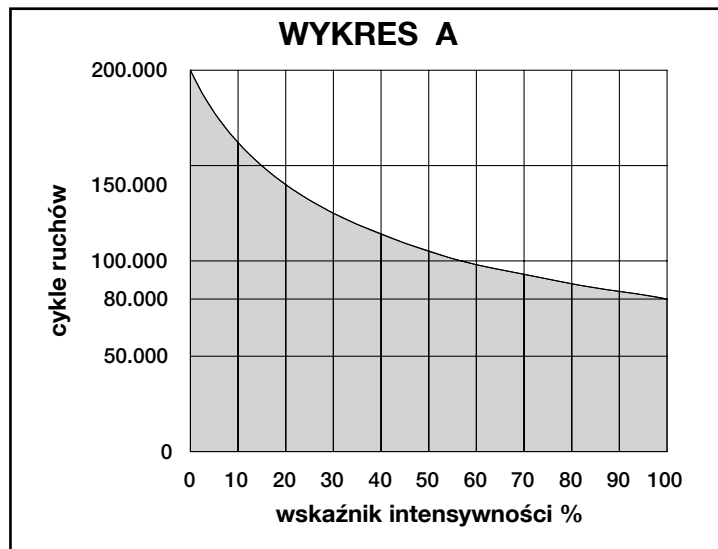
Szacowana trwałość = 35%

Durabilità stimata = 120.000 cykli ruchów

TABELA 1

Długość skrzydła (m)	≥ 1.50	1.51 ÷ 1.80	1.81 ÷ 2.00	2.01 ÷ 2.30
Ciężar skrzydła (kg)	Wskaźnik intensywności			
≤ 100	0 %	10 %	20 %	30 %
101 ÷ 250	10 %	20 %	30 %	40 %
251 ÷ 300	20 %	30 %	40 %	50 %
301 ÷ 330	30 %	40 %	50 %	–
331 ÷ 400	40 %	50 %	–	–
Temperatura otoczenia wyższa niż 40°C lub niższa niż 0°C lub wilgotność wyższa niż 80%				15 %
Ślepe skrzydło				15 %
Montaż w strefie wietrznej				15 %

WYKRES A



Deklaracja zgodności CE i deklaracja włączenia maszyny nieukończonyj

Deklaracja zgodna z dyrektywami: 2014/30/UE (EMC); 2006/42/WE (MD) załącznik II, część B.

Uwaga - Treść niniejszej deklaracji jest zgodna z oficjalną deklaracją zdeponowaną w siedzibie Nice S.p.A., a w szczególności z najnowszą wersją dostępną przed wydrukowaniem niniejszego podręcznika. Niniejszy tekst został dostosowany pod kątem wydawniczym. Kopię oryginalnej deklaracji zgodności można otrzymać od firmy Nice S.p.A. (TV) Italy.

Numer deklaracji: **320/XFAB** Weryfikacja: **8** Język: **PL**

Nazwa producenta: NICE S.p.A.

Adres: Via Pezza Alta N°13, 31046 Rustigné di Oderzo (TV), Włochy.

Osoba upoważniona do sporządzenia dokumentacji technicznej: NI-CE S.p.A. – Via Pezza Alta N°13, 31046 Rustigné di Oderzo (TV), Włochy.

Typ produktu: Siłownik elektromechaniczny 24Vd.c., zakopany w ziemi, do bram skrzydłowych.

Model/Typ: SFAB2024, SFAB2124

Akcesoria:

Ja, niżej podpisany Roberto Griffa, jako Chief Executive Officer deklaruje na własną odpowiedzialność, że wyżej wymienione produkty są zgodne z następującymi dyrektywami:

- Dyrektywa PARLAMENTU EUROPEJSKIEGO I RADY 2014/30/UE z dnia 26 lutego 2014 r. w sprawie ujednoczenia prawodawstwa państw członkowskich w zakresie zgodności elektromagnetycznej (przekształcenie), zgodnie z następującymi normami zharmonizowanymi: EN 61000-6-2:2005; EN 61000-6-3:2007 + A1:2011.

Ponadto produkt jest zgodny z następującą dyrektywą w zakresie wymagań dotyczących maszyn nieukończonyj:

- Dyrektywa PARLAMENTU EUROPEJSKIEGO I RADY NR 2006/42/WE z dnia 17 maja 2006 r. dotycząca maszyn, zmieniająca dyrektywę 95/16/WE (przekształcenie).

- Niżej podpisany deklaruje, że stosowna dokumentacja techniczna została sporządzona zgodnie z załącznikiem VII B dyrektywy 2006/42/WE oraz, że spełnione zostały następujące wymagania podstawowe: 1.1.1 - 1.1.2 - 1.1.3 - 1.2.1 - 1.2.6 - 1.5.1 - 1.5.2 - 1.5.5 - 1.5.6 - 1.5.7 - 1.5.8 - 1.5.10 - 1.5.11.
- Producent zobowiązuje się do przekazania władzom krajowym, w odpowiedzi na uzasadnione zapytanie, informacji dotyczących maszyny nieukończonyj, zachowując całkowicie swoje prawa do własności intelektualnej.
- Jeżeli maszyna nieukończonyj oddana zostanie do eksploatacji w kraju europejskim, którego język urzędowy jest inny niż język niniejszej deklaracji, importer ma obowiązek dołączyć do niniejszej deklaracji stosowne tłumaczenie.
- Ostrzegamy, że maszyny nieukończonyj nie należy uruchamiać do czasu, kiedy maszyna końcowa, do której zostanie włączonyj, nie uzyska deklaracji zgodności (jeżeli wymagana,) z założeniami dyrektywy 2006/42/WE.

Ponadto produkt jest zgodny z następującymi normami: EN 60335-1:2002 + A1:2004 + A11:2004 + A12:2006 + A2:2006 + A13:2008 + A14:2010 + A15:2011, EN 60335-2-103:2003+A11:2009, EN 62233:2008

Produkt jest zgodny z następującymi normami (w zakresie mających zastosowanie części): EN 13241-1:2003+A1:2011, EN 12445:2000, EN 12453:2000, EN 12978:2003+A1:2009

Oderzo, 23 stycznia 2017

Inż. **Roberto Griffa**
(Chief Executive Officer)



1 ALGEMENE WAARSCHUWINGEN EN VOORZORGSMAATREGELEN VOOR DE VEILIGHEID

ALGEMENE WAARSCHUWINGEN

De hierop volgende aanbevelingen zijn direct overgenomen uit de Normen en kunnen, voor zover mogelijk, worden toegepast op het beschreven product.

- **LET OP! - Belangrijke aanwijzingen voor de veiligheid. Leef alle voorschriften na, want een niet correct uitgevoerde installatie kan ernstige schade veroorzaken.**
- **LET OP! - Belangrijke aanwijzingen voor de veiligheid. Het is belangrijk dat deze instructies worden opgevolgd voor de veiligheid van personen. Bewaar deze instructies.**
- Voordat u begint met de installatie dient u de "Technische kenmerken van het product" (in deze handleiding) te controleren, in het bijzonder of dit product geschikt is voor uw geleide onderdeel. Als het product niet geschikt is, mag u NIET overgaan tot de installatie.
- Het product mag niet worden gebruikt voordat de inbedrijfstelling heeft plaatsgevonden zoals gespecificeerd in het hoofdstuk "Eindtest en inbedrijfstelling".
- **LET OP! - Volgens de meest recente Europese wetgeving moet het uitvoeren van een automatisering voldoen aan de geharmoniseerde normen van de geldende Machinerichtlijn, waarbij een verklaring van de conformiteit van de automatisering afgegeven kan worden. In verband hiermee moeten alle werkzaamheden in verband met de aansluiting op de elektrische voeding, de eindtest, de inbedrijfstelling en het onderhoud van het product uitsluitend worden uitgevoerd door een gekwalificeerde en deskundige monteur!**
- Voordat u met de installatie van het product begint, dient u te controleren of al het te gebruiken materiaal in optimale staat en geschikt voor gebruik is.
- Het product is niet bestemd voor gebruik door personen (inclusief kinderen) met lichamelijke, zintuiglijke of geestelijke beperkingen of met gebrek aan ervaring of kennis.
- Kinderen mogen niet met het apparaat spelen.
- Laat kinderen niet met de bedieningselementen van het product spelen. Houd de afstandsbedieningen buiten het bereik van kinderen.
- **LET OP! - Om ieder risico op onvoorzien heropstarten van het thermische onderbrekingsmechanisme te vermijden, mag dit apparaat niet worden gevoed via een externe regelaar zoals een timer, noch worden aangesloten op een circuit dat regelmatig wordt in- of uitgeschakeld.**
- U moet op het spanningsnet van de installatie een uitschakelapparaat aansluiten (niet meegeleverd) met een openingsafstand tussen de contacten waarbij volledige uitschakeling mogelijk is bij de condities die gelden voor overspanningscategorie III.
- Behandel het product tijdens de installatie met zorg en voorkom dat het wordt geplet, dat er tegen wordt gestoten, dat het valt of dat het in aanraking komt met welke vloeistoffen dan ook. Zet het product niet in de buurt van warmtebronnen en stel het niet bloot aan open vuur. Hierdoor kan het beschadigd worden, waardoor storingen of gevaarlijke situaties kunnen ontstaan. Als dit gebeurt, stopt u de installatie onmiddellijk en wendt u zich tot de klantendienst.
- De fabrikant is niet aansprakelijk voor materiële schade, zowel aan personen als aan voorwerpen, die voortvloeit uit de niet-naleving van de montage-instructies. In die gevallen is enige garantie voor materiaalfouten uitgesloten.
- Het geluidsdrukkniveau van de gemeten emissie A bedraagt minder dan 70 dB(A).
- Reinigings- en onderhoudswerkzaamheden die door de gebruiker kunnen worden uitgevoerd, mogen niet worden toevertrouwd aan kinderen die niet onder toezicht staan.
- Voordat u werkzaamheden aan de installatie uitvoert (onderhoud, reiniging), moet het product altijd worden losgekoppeld van de netvoeding.

- Controleer de installatie regelmatig. Controleer met name de kabels, de veren en de steunen om eventuele verstoringen van de balancering en tekenen van slijtage of beschadiging in een vroeg stadium op te merken. Gebruik het apparaat nooit als het gerepareerd of opnieuw afgesteld moet worden; een storing in de installatie of een niet-correcte balancering van de automatisering kan tot letsel leiden.
- Het verpakkingsmateriaal moet volgens de plaatselijk geldende voorschriften afgevoerd worden.
- Houd personen uit de buurt van de poort wanneer deze wordt bewogen met behulp van de bedieningselementen.
- Controleer de automatisering tijdens het uitvoeren van de manoeuvre en houd personen op enige afstand tot de beweging voltooid is.
- Bedien het product niet als er personen in de buurt zijn die werkzaamheden op de automatisering uitvoeren; koppel de elektrische voeding los alvorens deze werkzaamheden te laten uitvoeren.
- Als de voedingskabel beschadigd is, moet deze worden vervangen door de fabrikant of door de technische ondersteuningdienst, of in ieder geval door een monteur met een vergelijkbare kwalificatie om ieder risico uit te sluiten.

WAARSCHUWINGEN M.B.T. DE INSTALLATIE

- Controleer voordat u de bewegingsmotor installeert of alle mechanische onderdelen in goede staat zijn, volgens de regels gebalanceerd zijn en of de automatisering correct kan worden gemanoeuvrerd.
- Als het te automatiseren hek van een voetgangersdeur is voorzien, moet de installatie een controlesysteem krijgen, dat de werking van de motor blokkeert als de voetgangersdeur open is.
- Verzeker u ervan dat de bedieningselementen uit de buurt van de bewegende onderdelen worden gehouden, maar wel direct zicht op de poort geven. Tenzij u een schakelaar gebruikt, moeten de bedieningselementen op een hoogte van minimaal 1.5 m worden geïnstalleerd en mogen ze niet toegankelijk zijn.
- Voorkom en vermijd elke vorm van blokkering tussen de bewegende en vaste onderdelen tijdens de bewegingen.
- Breng het etiket m.b.t. de handmatige bediening permanent aan in de buurt van het bedieningselement waarmee de handmatige beweging wordt uitgevoerd.
- Verzeker u er na het installeren van de bewegingsmotor van dat het mechanisme, het beveiligingssysteem en alle bewegingen correct functioneren.

2 BESCHRIJVING VAN HET PRODUCT EN GEBRUIKSBESTEMMING

Dit product is bestemd om gebruikt te worden voor het automatiseren van hekken of poorten met scharnierende hekvleugels en uitsluitend in een woonomgeving.

LET OP! – Ledere vorm van gebruik, anders dan beschreven, dat plaatsvindt onder andere omgevingsvoorwaarden dan die, die in deze handleiding staan, moet als oneigenlijk en verboden worden beschouwd!

Het product is een elektromechanische reductiemotor voorzien van een motor met gelijkstroom 24 V. De reductiemotor wordt gevoed door de externe besturingskast waarop het aangesloten wordt.

In geval van een onderbreking van de elektrische energie (black-out), is het mogelijk om de vleugels van het hek te bewegen door de reductiemotor te deblokken met de daarvoor bestemde sleutel. Zie voor het uitvoeren van deze manuele manoeuvre hoofdstuk 3.6.

Het product is beschikbaar in 2 versies:

- SFAB2024 zonder encoder, geschikt voor besturingskasten model MC424.
- SFAB2124 met encoder, geschikt voor besturingskasten model MC824H.

LET OP! – Gebruik de reductiemotoren niet met niet compatibele besturingskasten.

3 INSTALLATIE

3.1 - Controles die aan de installatie voorafgaan

Alvorens tot de installatie over te gaan, is het noodzakelijk om de intacte staat van de componenten van het product te controleren, evenals de geschiktheid van het gekozen model en van de ruimte waarin de installatie plaatsvindt.

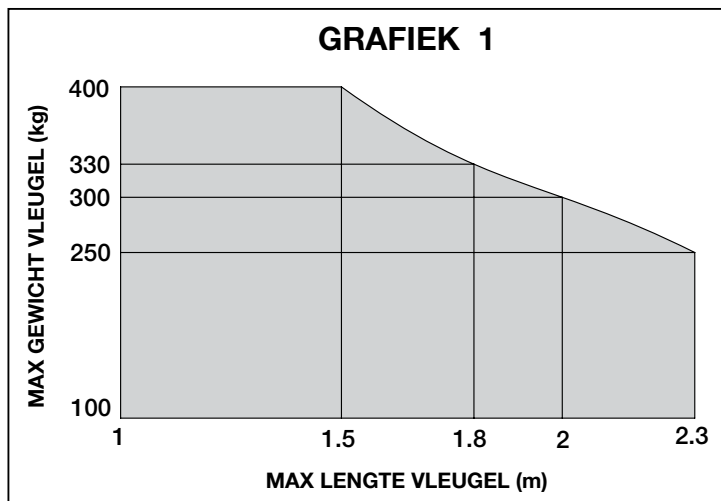
BELANGRIJK – de reductiemotor kan geen manueel hek automatiseren dat geen efficiënte en veilige mechanische structuur bezit. Bovendien kan het geen defecten verhelpen die veroorzaakt werden door een verkeerde installatie of door slecht onderhoud van het hek.

3.2 - Geschiktheid van het te automatiseren hek en de omliggende ruimte

- Controleer of de mechanische structuur van het hek geschikt is om geautomatiseerd te worden in overeenstemming met de plaatselijk geldende normen (raadpleeg eventueel de gegevens op het etiket van het hek).
- Open en sluit de hekvleugel met de hand en controleer of de beweging plaatsvindt zonder wrijving, gelijkmatig en constant op ieder punt van het bewegingstraject (er mogen geen momenten van grotere inspanning zijn).
- Controleer of de vleugel van het hek in evenwicht blijft, dus niet beweegt wanneer het met de hand op ongeacht welke positie gezet en daar gelaten wordt.
- Controleer of de ruimte rondom de reductiemotor het mogelijk maakt om de vleugels van het hek gemakkelijk en veilig met de hand te deblokken.
- Zorg voor eindaanslagen op de grond voor zowel de opening als de sluiting van het hek.
- Controleer of de bevestigingszone van de reductiemotor compatibel is met het ruimtebeslag van de reductiemotor (afb. 1).

3.3 - Gebruikslimieten van het product

Alvorens het product te installeren, moet gecontroleerd worden of de vleugel van het hek de afmetingen en het gewicht heeft die zich binnen de limieten van grafiek 1 bevinden. Beoordeel ook de klimaatomstandigheden (bijvoorbeeld sterke wind) in de plaats van installatie. Deze kunnen de waarden in de grafiek aanzienlijk verlagen.



3.4 - Werken ter voorbereiding van de installatie

Afb. 2 toont een voorbeeld van een automatiseringsinstallatie die tot stand gebracht is met Nice componenten. Deze componenten zijn opgesteld volgens een typisch en gebruikelijk schema. Raadpleeg **afb. 2**, en bepaal bij benadering de positie waarin iedere component van de installatie geïnstalleerd moet worden en het meeste geschikte aansluitschema.

Nuttige componenten voor het realiseren van een volledige installatie (afb. 2):

- A - Elektromechanische reductiemotoren
- B - Besturingskast
- C - Paar fotocellen
- D - Kolommen voor paar fotocellen (C)
- E - Knipperlicht met ingebouwde antenne
- F - Digitaal toetsenbord
- G - Paar mechanische aanslagen voor opening en sluiting
- H - Keuzeschakelaar met sleutel

3.5 - Installatie

01. Graaf een funderingsruimte met ruime afmetingen waarin de funderingskist geplaatst wordt (**afb. 3**); zorg voor een leiding voor de afvoer van het water om te voorkomen dat dit aanwezig blijft.
02. Plaats de funderingskist in de funderingsruimte en plaats het gat op één lijn met de as van het bovenste scharnier (**afb. 4**).
03. Zorg voor een leiding voor de passage van de voedingskabel en voor een leiding voor de waterafvoer.
04. Verzink de funderingskist in beton en zorg ervoor dat de kist perfect waterpas staat (**afb. 5**).
05. Boor nu op de onderkant van de vleugel 3 gaten met schroefdraad M10 en met een minimumdiepte van 15 mm (**afb. 6**). **Nota** – Als alternatief voor de schroeven kan de koppelhendel van de vleugel met een stevige las

vastgezet worden.

06. Bevestig de koppelhendel voor de vleugel met gebruik van 3 schroeven (**afb. 6**).
07. **BELANGRIJK! – Smeer de bus van de funderingskist (afb. 7).**
08. Plaats de koppelhendel die reeds op de vleugel bevestigd is in de bus van de funderingskist (**afb. 8**). **ERG BELANGRIJK – Controleer dat de vleugel goed bevestigd is aan de scharnieren van de kolom/muur zodat hij NIET KAN WORDEN OPGETILD (afb. 8-A).** Dit om een correct contact te garanderen met de tandwielen van de krukas.
09. Indien het hek over eigen mechanische aanslagen beschikt (**afb. 2 - G**) kan men rechtstreeks met punt **10** verder gaan. Is dat niet het geval en heeft het hek geen eigen mechanische aanslagen, of indien men niet wilt dat de duwkracht van de motor aan het einde van het bewegingstraject volledig op de vleugel uitgeoefend wordt, is het mogelijk de eindaanslagen binnenin de reductiemotor te gebruiken en dient men als volgt te handelen:
 - a) Steek de regelpennen (voor zowel de eindaanslag van de opening als voor die van de sluiting) in de gaten op de houder van de funderingskist:
 - **Opening vleugel op 90°:** zie **afb. 9** voor de linkervleugel en voor de rechtervleugel.
 - **Opening vleugel op 180°:** zie **afb. 10**.
 - b) **Instelling van de eindaanslagen (opening en sluiting):** schroef de eindaanslagen vast tot het gewenste punt van aanslag bereikt wordt voor zowel de opening als de sluiting. Voeg tenslotte de moeren toe. Zijn de posities van de eindaanslagen correct, span de moeren dan met kracht (**afb. 11**).
10. Plaats nu de motor binnenin de funderingskist en duw de motor naar binnen tot het einde van de kist waarbij de bevestigingsgaten op de reductiemotor samenvallen met die van de kist (**afb. 12**).
11. Steek de bijgeleverde bevestigingsschroeven (**afb. 13**) in de gaten en draai ze licht vast zodat de reductiemotor in een enigszins opgetilde positie ten opzichte van de bodem van de kist komt te staan.
12. Beweeg de hekvleugel langzaam om de koppeling van de motor mogelijk te maken en span de bevestigingsschroeven dan volledig (**afb. 14**).
13. Voer de voedingskabel door de kabelgeleider die eerder gelegd was (**afb. 15**); zie voor de totstandkoming van de elektrische aansluiting hoofdstuk 4 en raadpleeg de handleiding van de besturingskast zelf.
14. Plaats de drie deksels "A, B en C" met inachtneming van de hierna aangegeven volgorde:
 - a) Plaats het bovenste deksel "A" op de funderingskist en laat hem tot de aanslag schuiven (**afb. 16 - 1**). Steek op hetzelfde moment deksel "B" in de gleuf (**afb. 16 - 2**).
 - b) Zet deksel "A" vast met de bijgeleverde 3 schroeven (**afb. 16 - 3**).
 - c) Zet het onderste deksel "C" vast met de bijgeleverde schroef (**afb. 16 - 4 en 5**).

3.6 - Manuele deblokkering en blokkering van de reductiemotor

Gebruik de bijgeleverde driehoekige sleutel voor de deblokkering en de blokkering van de reductiemotor:

• Deblokkering:

01. Steek de sleutel in één van de 2 zijgaten op het bovenste deksel en draai de sleutel 180° in ongeacht welke van de twee richtingen (**afb. 17**).
02. Beweeg de hekvleugel met de hand en zet hem in de gewenste stand.

• Blokkering:

01. Steek de sleutel in één van de 2 aanwezige gaten en draai de sleutel 180° in ongeacht welke van de twee richtingen (**afb. 17**).
02. De hekvleugel zal geblokkeerd worden bij de eerste manoeuvre die door de besturingskast bediend wordt.

4 ELEKTRISCHE AANSLUITINGEN

Waarschuwingen:

- De reductiemotor is voorzien van een elektrische voedingskabel met een lengte van 2 m. Indien de kabel voor de elektrische aansluitingen over een grotere afstand gelegd moet worden dient men een aftakkest te gebruiken (niet bijgeleverd). **BELANGRIJK! – Het is verboden om binnenin de funderingskist een verlenging van de voedingskabel tot stand te brengen.**
- **Voer de elektrische aansluitingen uit terwijl de netvoeding afgesloten is.**

Zie voor de aansluiting van de voedingskabel op de besturingskast de handleiding van de besturingskast en volg onderstaande aanwijzingen:

DRAAD	AANSLUITING
Blauwe draad	Voeding motor 24 V
Bruine draad	Voeding motor 24 V
Zwarte draad	Encoder (alleen versie SFAB2124)
Grijze draad	Encoder (alleen versie SFAB2124)
Geel-groene draad	Aarde

5 TESTEN EN INDIENSTSTELLING

LET OP! – De handelingen die in dit hoofdstuk beschreven worden, dienen uitsluitend uitgevoerd te worden door gekwalificeerd en ervaren personeel met inachtneming van de instructies van de handleiding en de wetten en veiligheidsnormen die van kracht zijn in het grondgebied.

Dit is de belangrijkste fase bij de totstandkoming van de automatisering waar het erom gaat de maximale veiligheid van de installatie te garanderen. De beschreven testprocedure kan ook gebruikt worden om regelmatig na te kijken of de voorzieningen waaruit de automatisering bestaat correct werken.

De testfasen en de indienststelling van de automatisering moeten uitgevoerd worden door gekwalificeerd en ervaren personeel dat de testen vaststelt die nodig zijn om de oplossingen te controleren die aangewend zijn met betrekking tot de aanwezige risico's en dat controleert of de voorschriften van wetten, normen en reglementen in acht genomen zijn: met name alle vereisten van de norm EN 13241-1 die de testmethoden voor de controle van de automatisering van hekken vaststelt.

LET OP! – Alvorens ongeacht welke controle uit te voeren is het noodzakelijk om iedere elektrische voedingsbron af te sluiten.

5.1 - Testen

Alle afzonderlijke componenten van de automatisering, zoals bijvoorbeeld, gevoelige randen, fotocellen, noodstoppen enz., moeten aan een specifieke testfase worden onderworpen. Voor deze voorzieningen moeten de procedures gevolgd worden die in de respectievelijke handleidingen staan.

Handel als volgt voor het testen van SFAB(...):

- 1 Controleer of, op het gebied van de veiligheid, de voorschriften van hoofdstuk 1 - Algemene waarschuwingen en voorzorgsmaatregelen voor de veiligheid - strikt in acht genomen zijn.
- 2 Zet het hek in de gesloten stand.
- 3 Sluit iedere elektrische voedingsbron naar de besturingskast af.
- 4 Deblokkeer de reductiemotor met de betreffende sleutel, zie paragraaf 3.6.
- 5 Open de hekvleugel met de hand tot deze de maximaal geopende stand bereikt en controleer of tijdens de beweging geen punten van wrijving aanwezig zijn.
- 6 Controleer of de hekvleugel, die in ongeacht welke positie van zijn bewegingstraject gelaten is, niet beweegt.
- 7 Controleer of de veiligheidssystemen en de mechanische aanslagen in goede staat verkeren.
- 8 Controleer of de schroefverbindingen goed vastgedraaid zijn.
- 9 Reinig zonodig de binnenkant van de funderingskist en controleer of de waterafvoer correct werkt.
- 10 Blokkeer de reductiemotor met de betreffende sleutel, zie paragraaf 3.6.
- 11 Schakel de elektrische voeding naar de besturingskast in.
- 12 Meet de botskracht volgens hetgeen voorgeschreven wordt door de normen EN 12445 en EN 12453. Indien de controle van de "motorkracht" door de besturingskast gebruikt wordt als hulp bij het systeem voor de afname van de botskracht, probeer dan de functies te regelen die de beste parameters bieden.
- 13 Breng op permanente wijze een sticker aan in een zone nabij de automatisering waarop beschreven wordt hoe de reductiemotor met de hand gedeblokkeerd kan worden.

5.2 - Indienststelling

De indienststelling kan alleen plaatsvinden nadat alle testfasen van de reductiemotor en van de andere aanwezige voorzieningen met goed resultaat doorlopen zijn. Raadpleeg voor de uitvoering van de indienststelling de handleiding met instructies van de besturingskast.

BELANGRIJK – De gedeeltelijke indienststelling of de indienststelling in "provisorische" situaties is verboden.

6 ONDERHOUD VAN HET PRODUCT

Het onderhoud moet worden uitgevoerd met volledige inachtneming van de veiligheidsvoorschriften in deze handleiding en volgens de geldende wettelijke voorschriften en regelgeving.

De inrichtingen voor de automatisering behoeven geen bijzonder onderhoud; controleer echter regelmatig, minstens eenmaal per zes maanden, of alle inrichtingen perfect functioneren.

Hiervoor moeten alle beproevingen en controles worden uitgevoerd die beschreven zijn in paragraaf 5.1 "Eindtest" en moeten de werkzaamheden worden verricht die zijn vermeld in de paragraaf "Onderhoud dat door de gebruiker mag worden uitgevoerd".

Als er andere inrichtingen aanwezig zijn, volgt u de aanwijzingen in het betreffende onderhoudsplan.

VUILVERWERKING VAN HET PRODUCT

Dit product maakt integraal deel uit van de automatisering en moet dus samen met de automatisering als vuil verwerkt worden.

Net als voor de installatiewerkzaamheden, moet ook de ontmanteling aan het einde van de levensduur van het product uitgevoerd worden door gekwalificeerd personeel.

Dit product bestaat uit verschillende soorten materiaal: enkele materialen kunnen gerecycled worden, andere moeten worden weggegooid. Win inlichtingen in over recycling en vuilverwerking zoals deze voorgeschreven worden door de reglementen die op uw grondgebied van kracht zijn voor deze productcategorie.

Let op! – enkele delen van het product kunnen vervuilende of gevaarlijke substanties bevatten die, eenmaal in het milieu geloosd, schadelijke effecten voor het milieu en de menselijke gezondheid kunnen hebben.

Zoals door het symbool hierna aangeduid wordt, is het verboden dit product met huishoudelijk afval weg te gooien. Zorg dus voor een "gescheiden inzameling" volgens de methoden die voorgeschreven worden door de plaatselijke reglementen of overhandig het product aan de verkoper wanneer u een nieuw, gelijkaardig product aanschaft.



Let op! – de plaatselijke reglementen die van kracht zijn, kunnen zware boetes voorzien wanneer dit product op abusievelijk wijze weggegooid wordt.

TECHNISCHE KENMERKEN VAN HET PRODUCT

WAARSCHUWINGEN: • Voor alle technische kenmerken die vermeld worden, wordt uitgegaan van een omgevingstemperatuur van 20°C (± 5°C). • Nice S.p.A. behoudt zich het recht voor om op ieder gewenst moment dat zij noodzakelijk acht wijzigingen op het product aan te brengen waarbij de werking en de gebruiksbestemming hoe dan ook gehandhaafd blijven.

- **Typologie:** Elektromechanische reductiemotor voor hekken of poorten met scharnierende hekvleugels
- **Voeding:** 24 V =
- **Piekabsorptie:** 5 A
- **Maximumabsorptie:** 2 A
- **Piekvermogen:** 120 W
- **Maximumvermogen:** 50 W
- **Beschermklasse:** IP 67
- **Bewegingstraject:** van 0° tot 90° (±10°) of van 0° tot 180° (±10°) [openingen tussen 90° en 180° zijn niet mogelijk]
- **Snelheid bij nullast:** 1.25 rpm
- **Snelheid bij het nominale koppel:** 1 rpm
- **Maximumkoppel:** 250 Nm
- **Nominaal koppel:** 120 Nm
- **Werktemperatuur:** -20 °C ... +50 °C
- **Cycli/uur bij nominaal koppel:** 60
- **Duur:** Schatting tussen circa 80.000 en 200.000 manoeuvreercycli, onder de voorwaarden die in Tabel 1 staan
- **Afmetingen:** 230 mm x 206 mm x h 88 mm
- **Gewicht:** 15 kg (reductiemotor met funderingskist)

Levensduur van het product

De duurzaamheid en de gemiddelde economische levensduur van het product. De waarde van de levensduur wordt sterk beïnvloed door de zwaarteindex van de door het automatische uitgevoerde manoeuvres: dit is de som van alle factoren die bijdragen aan de slijtage van het product (zie Tabel 1).

De schatting van de levensduur wordt uitgevoerd op grond van ontwerpberekeningen en resultaten van testen die op prototypes uitgevoerd zijn. Het betreft inderdaad een schatting en vormt geen enkele garantie voor de daadwerkelijke levensduur van het product.

Handel als volgt om de waarschijnlijke levensduur van uw automatische vast te stellen:

01. Bereken de **zwaarteindex** door de waarden in percenten van de items van **Tabel 1** bij elkaar op te tellen.
02. Traceer in **Grafiek A** vanuit de net gevonden waarde een verticale lijn tot de curve gekruist wordt. Traceer vanuit dit punt een horizontale lijn tot de lijn van de "manoeuurecycli" gekruist wordt. De vastgestelde waarde is de **geschatte levensduur** van uw product.

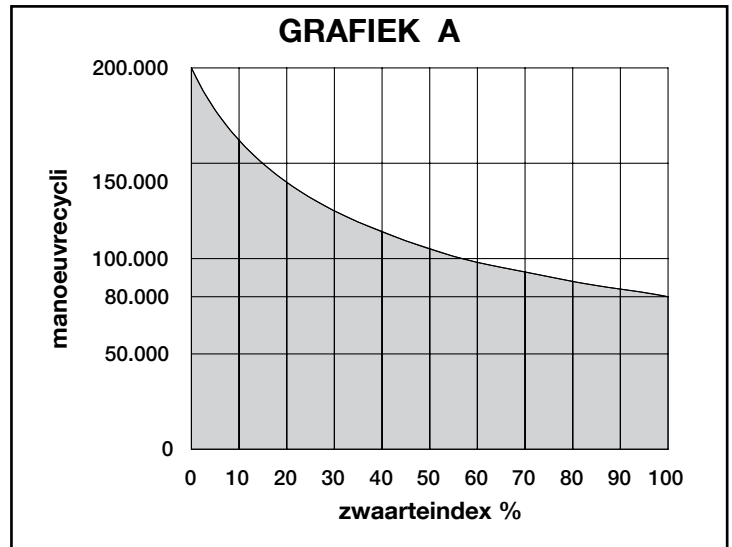
Voorbeeld van de berekening van de levensduur van een SFAB(...) reductiemotor. Raadpleeg tabel 1 en grafiek A:

- 1) - Lengte van de vleugel: 1.7 m
- 2) - Gewicht van de vleugel: 200 kg = zwaarteindex: 20%.
- 3) - Installatie in windrijke gebieden = zwaarteindex: 15%.
- 4) - Geen andere elementen voor moeheid aanwezig.

Totale zwaarteindex = 35%

Geschatte levensduur = 120.000 manoeuurecycli

Lengte van de vleugel (m)	≥ 1.50	1.51 ÷ 1.80	1.81 ÷ 2.00	2.01 ÷ 2.30
Gewicht van de vleugel (kg)	Zwaarteindex			
≤ 100	0 %	10 %	20 %	30 %
101 ÷ 250	10 %	20 %	30 %	40 %
251 ÷ 300	20 %	30 %	40 %	50 %
301 ÷ 330	30 %	40 %	50 %	–
331 ÷ 400	40 %	50 %	–	–
Omgevingstemperatuur hoger dan 40°C of lager dan 0°C of vochtigheid hoger dan 80%				15 %
Blinde hekvleugel				15 %
Installatie in windrijke zone				15 %



CE-verklaring van overeenstemming en inbouwverklaring betreffende niet voltooide machines

Verklaring conform Richtlijnen: 2014/30/UE (EMC); 2006/42/CE (MD) bijlage II, deel B.

Opmerking - De inhoud van deze verklaring komt overeen met hetgeen is vastgelegd in het officiële document dat is gedeponneerd ten kantore van Nice S.p.A., en in het bijzonder met de laatste herziene en beschikbare versie ervan, vóór het drukken van deze handleiding. De hier gepresenteerde tekst is herzien om redactionele redenen. Een copie van de oorspronkelijke verklaring kan worden aangevraagd bij Nice S.p.A. (TV) Italy.

Nummer verklaring: **320/XFAB** Revisie: **8** Taal: **NL**

Naam fabrikant: NICE S.p.A.

Adres: Via Pezza Alta N°13, 31046 Rustignè di Oderzo (TV), Italy

Persoon gemachtigd tot het samenstellen van het technisch dossier: NICE S.p.A. – Via Pezza Alta N°13, 31046 Rustignè di Oderzo (TV), Italy

Type product: Elektromechanische reductiemotor 24Vd.c., ondergronds, voor draaiportalen.

Model / Type: SFAB2024, SFAB2124

Accessoires:

Ondergetekende Roberto Griffa, verklaart onder eigen verantwoordelijkheid als Chief Executive Officer dat de producten voldoen aan de vereisten van de hierop volgende richtlijnen:

- RICHTLIJN 2014/30/UE VAN HET EUROPEES PARLEMENT EN DE RAAD VAN DE EUROPESE UNIE van 15 december 2004 betreffende de onderlinge aanpassing van de wetgevingen van de lidstaten inzake elektromagnetische compatibiliteit en tot wijziging van richtlijn 89/336/EEG, volgens de hierop volgende geharmoniseerde normen: EN 61000-6-2:2005; EN 61000-6-3:2007 + A1:2011.

Bovendien voldoet het product aan de hierop volgende richtlijn volgens de voor "pseudo machines" geldende vereisten:

- Richtlijn 2006/42/EG VAN HET EUROPEES PARLEMENT EN DE RAAD VAN DE EUROPESE UNIE van 17 mei 2006 betreffende machines en tot wijziging van Richtlijn 95/16/EG (herschikking).
- Hierbij verklaart men dat het relevante technische dossier is ingevuld volgens de aanwijzingen in bijlage VII B van de richtlijn 2006/42/EG en dat daarbij aan de hierop volgende verplichte eisen is voldaan: 1.1.1 - 1.1.2 - 1.1.3 - 1.2.1 - 1.2.6 - 1.5.1 - 1.5.2 - 1.5.5 - 1.5.6 - 1.5.7 - 1.5.8 - 1.5.10 - 1.5.11.
- De fabrikant zal zorgdragen voor de overdracht van informatie betreffende de niet voltooide machine, op speciaal verzoek van de wetgevende instanties zonder daarbij schade te doen toekomen aan zijn eigen intellectueel eigendomsrecht.
- Mocht de onvoltooide machine in gebruik worden genomen in een land waar een andere taal wordt gesproken dan in deze verklaring is gebruikt, is de importeur verplicht de vertaling van het desbetreffende document aan de documentatie toe te voegen.
- Het is niet toegestaan de niet voltooide machine in gebruik te nemen voordat de uiteindelijke machine waarop deze zal worden ingebouwd, en indien van toepassing geschikt is verklaard volgens de richtlijn 2006/42/EG.

Bovendien voldoet het product aan de hierop volgende normen: EN 60335-1:2002 + A1:2004 + A11:2004 + A12:2006 + A2:2006 + A13:2008 + A14:2010 + A15:2011, EN 60335-2-103:2003+A11:2009, EN 62233:2008

Het product voldoet, waar van toepassing, aan de hierop volgende normen: EN 13241-1:2003+A1:2011, EN 12445:2000, EN 12453:2000, EN 12978:2003+A1:2009

Oderzo, 23 januari 2017

Ing. **Roberto Griffa**
(Chief Executive Officer)

INSTRUCTIONS AND WARNINGS FOR THE USER

Even if your automated system satisfies regulatory safety levels, this does not eliminate “residue risks”, that is, the possibility of dangerous situations being generated, usually due to irresponsible or incorrect use. For this reason we would like to give you some suggestions on how to avoid these risks.

- **Before using your automated system for the first time**, ask your fitter to explain how residue risks can arise and spend a few minutes reading the **instructions and warnings for the user** handbook that the fitter will have given you. Keep this manual for future use and, if you should ever sell your automated system, hand it over to the new owner.

ATTENTION! – Your automation is a machine that follows your command faithfully; irresponsible and improper use can make it become dangerous:

- **Do not command movement of the automation if there are persons, animals or objects within its radius of action.**
- **When operating a biased-off switch, make sure that other persons are kept away.**
- **When operating the gate, keep an eye on the automated mechanism and keep all bystanders at a safe distance until the movement has been completed.**
- **It is prohibited to touch parts of the automation while the gate or the door is in movement!**
- **The photocells are not a safety device but just an auxiliary device regarding safety. They are constructed with very high reliability technology but can, in extreme situations, undergo malfunctioning or even break and, in certain cases, the breakdown may not be immediately evident. For this reason, when using the automation, it is necessary to pay attention to the following warnings:**
 - **Transit is only allowed when the gate or door is completely open with the panels at a standstill**
 - **IT IS PROHIBITED to transit while the gate or door is closing!**
 - **Periodically check the correct functioning of the photocells and have the envisioned maintenance checks performed at least every 6 months.**

• **Children:**

- This product is not intended to be used by persons (including children) whose physical, sensory or mental capacities are reduced, or who lack the necessary experience or skill.
- Children must not play with the appliance.
- Do not allow children to play with the fixed control devices of the product. Keep the remote controls away from children.
- Cleaning and maintenance to be carried out by the user must not be carried out by unsupervised children.

- **Anomalies:** if any anomalous behaviour is noticed, remove the electric power input to the plant and manually release the gear motor (see respective instruction manual) to make the gate function manually. Do not perform any self-taught repairs but request the intervention of your local installer.

- **Maintenance:** regular maintenance is required to keep the level of safety constant and guarantee the maximum duration of the entire automation (every 6 months). **Any control, maintenance or repairs operation must only be performed by qualified staff.**

- Before working on the system (maintenance, cleaning), always disconnect the product from the mains power supply.
- Do not operate the product if anyone is working nearby; disconnect its power supply before permitting such work to be done.

- **Do not modify the plant and programming parameters and control unit regulation: your installer is responsible.**

- **The inspection, periodic maintenance and any repairs must be documented by whoever is carrying out the job.** The documents must be kept by the owner of the plant. The only interventions that the user can perform periodically are cleaning the lenses of the photocells (use a slightly damp soft cloth) and the removal of any leaves or stones that could block the automation. **Important** – Release the gear motor manually before proceeding in order to prevent the gate being activated accidentally (see respective instruction book).

- **Disposal:** at the end of the automation’s life span, make sure that it is disposed of by qualified staff and that the materials are re-cycled or disposed of in compliance with the Standards valid at a local level.

- **Breakage or power cut:** while waiting for the intervention of your installer

or the return of the power input, if the plant does not have buffer batteries, the automation can be used all the same: the gear motor must be released manually (see the dedicated paragraph successively) and move the gate panel manually as desired.

RELEASE AND BLOCK THE GEAR MOTOR MANUALLY

The gear motor has a mechanical system that allows to open and close the gate manually.

These manual operations must be performed if there is a power cut or functioning anomalies. In the last case, the use of the release mechanism can also be useful to check if the fault depends on the mechanism itself.

To release and block the gear motor, use the supplied triangular spanner:

• **Release:**

01. Insert the wrench into one of the 2 lateral holes present on the upper lid and turn it 180°, indifferently in one of the two directions (**fig. A**).

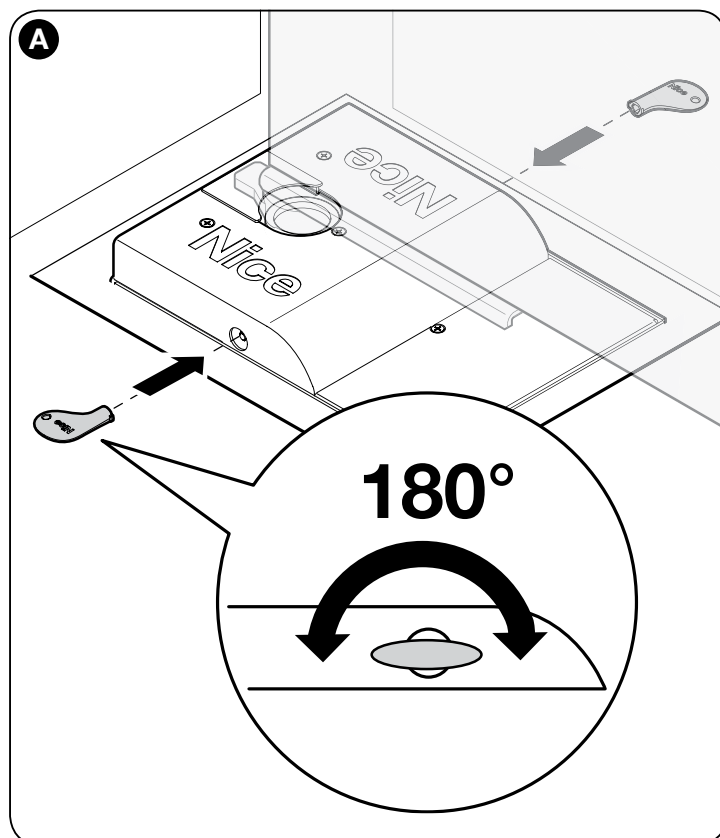
02. Move the panel manually and take it to the desired position.

Note – Due to the elastic effect of the panel, after release with the panel closed, it might not be possible to block the panel in the same position.

• **Block:**

01. Insert the wrench into one of the 2 lateral holes and turn it 180° indifferently in one of the two directions (**fig. A**).

02. The panel will block at the first manoeuvre commanded by the control unit.



ISTRUZIONI ED AVVERTENZE DESTINATE ALL'UTILIZZATORE

Anche se l'automazione in vostro possesso soddisfa il livello di sicurezza richiesto dalle normative, questo non esclude l'esistenza di un "rischio residuo", cioè la possibilità che si possano generare situazioni di pericolo, solitamente dovute ad un utilizzo incosciente o addirittura errato. Per questo motivo desideriamo darvi alcuni consigli sui comportamenti da seguire per evitare ogni inconveniente.

- **Prima di usare per la prima volta l'automazione**, fatevi spiegare dall'installatore l'origine dei rischi residui, e dedicate qualche minuto alla lettura del manuale di **istruzioni ed avvertenze per l'utilizzatore** consegnatovi dall'installatore. Conservate il manuale per ogni dubbio futuro e consegnatelo ad un eventuale nuovo proprietario dell'automazione.

ATTENZIONE! – La vostra automazione è un macchinario che esegue fedelmente i vostri comandi; un uso incosciente ed improprio può farlo diventare pericoloso:

- **Non comandate il movimento dell'automazione se nel suo raggio di azione si trovano persone, animali o cose.**
- **Tenere le persone lontane dalla porta quando questa viene movimentata mediante gli elementi di comando.**
- **Durante l'esecuzione della manovra controllare l'automazione e mantenere le persone lontano da essa, fino al termine del movimento.**
- **È assolutamente vietato toccare parti dell'automazione mentre il cancello o il portone è in movimento!**
- **Le fotocellule non sono un dispositivo di sicurezza ma soltanto un dispositivo ausiliario alla sicurezza. Sono costruite con tecnologia ad altissima affidabilità ma possono, in situazioni estreme, subire malfunzionamenti o addirittura guastarsi e, in certi casi, il guasto potrebbe non essere subito evidente. Per questi motivi, durante l'utilizzo dell'automazione è necessario fare attenzione alle seguenti avvertenze:**
 - Il transito è consentito solo se il cancello o portone è completamente aperto e con le ante ferme.
 - **È ASSOLUTAMENTE VIETATO transitare mentre il cancello o il portone si sta chiudendo!**
 - **Verificare periodicamente il corretto funzionamento delle fotocellule e far eseguire i controlli di manutenzione previsti, almeno ogni 6 mesi.**

• **Bambini:**

- Il prodotto non è destinato a essere usato da persone (bambini compresi) le cui capacità fisiche, sensoriali o mentali siano ridotte, oppure con mancanza di esperienza o di conoscenza.
- I bambini non devono giocare con l'apparecchio.
- Non permettere ai bambini di giocare con i dispositivi di comando del prodotto. Tenere i telecomandi lontano dai bambini.
- La pulizia e la manutenzione destinata ad essere effettuata dall'utilizzatore non deve essere effettuata da bambini senza sorveglianza.

- **Anomalie:** se viene notato un qualunque comportamento anomalo dell'automazione, togliere l'alimentazione elettrica all'impianto ed eseguire lo sblocco manuale del motoriduttore (vedere rispettivo manuale istruzioni) per far funzionare manualmente il cancello. Non effettuare alcuna riparazione da autodidatta ma richiedere l'intervento del vostro installatore di fiducia.

- **Manutenzione:** per mantenere costante il livello di sicurezza e per garantire la massima durata dell'intera automazione è necessaria una manutenzione regolare (ogni 6 mesi). **Qualunque intervento di controllo, manutenzione o riparazione deve essere eseguito solo da personale qualificato.**

- Prima degli interventi sull'impianto (manutenzione, pulizia), disconnettere sempre il prodotto dalla rete di alimentazione.
- Non comandare il prodotto se nelle sue vicinanze ci sono persone che svolgono lavori sull'automazione; scollegate l'alimentazione elettrica prima di far eseguire questi lavori.

- **Non modificare l'impianto e i parametri di programmazione e di regolazione della centrale di comando: la responsabilità è del vostro installatore.**

- **Il collaudo, le manutenzioni periodiche e le eventuali riparazioni devono essere documentate da chi esegue il lavoro.** I documenti devono essere conservati dal proprietario dell'impianto. Gli unici interventi che l'utilizzatore può eseguire periodicamente, sono la pulizia dei vetri delle fotocellule (utilizzare un panno morbido e leggermente umido) e la rimozione di eventuali foglie o sassi che potrebbero ostacolare l'automatismo. **Importante** – Prima di procedere, per impedire che qualcuno possa azionare inavvertitamente il cancello, sbloccare manualmente il motoriduttore (vedere rispettivo manuale istruzioni).

- **Smaltimento:** al termine della vita dell'automazione, assicuratevi che lo smantellamento sia eseguito da personale qualificato e che i materiali vengano riciclati o smaltiti secondo le norme valide a livello locale.

- **Rottura o assenza di alimentazione:** in attesa dell'intervento del vostro installatore o del ritorno dell'energia elettrica, se l'impianto non è dotato di batterie tampone, l'automazione può essere ugualmente utilizzata: occorre eseguire lo sblocco manuale del motoriduttore (vedere di seguito il paragrafo dedicato) e muovere l'anta del cancello manualmente come si desidera.

SBLOCCARE E BLOCCARE IL MOTORIDUTTORE MANUALMENTE

Il motoriduttore è dotato di un sistema meccanico che consente di aprire e chiudere il cancello manualmente.

Queste operazioni manuali devono essere eseguite nei casi di mancanza di corrente elettrica o di anomalie di funzionamento. In quest'ultimo caso, l'uso del meccanismo di sblocco può essere utile anche per verificare se il guasto dipende dal meccanismo stesso.

Per sbloccare e bloccare il motoriduttore, utilizzare la chiave triangolare in dotazione:

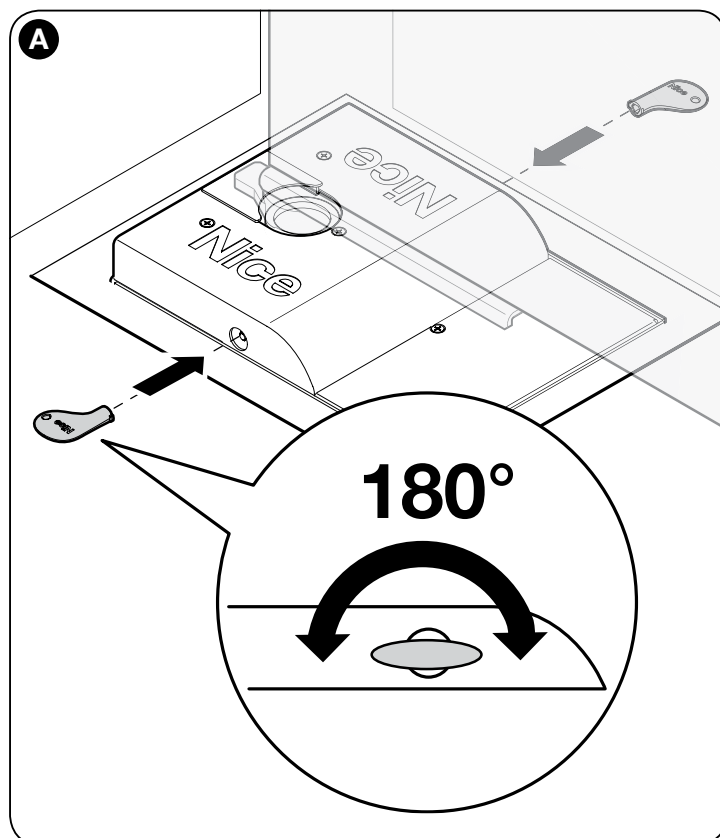
• **Sblocco:**

01. Inserire la chiave in uno dei 2 fori laterali presenti sul coperchio superiore e ruotarla di 180°, indifferentemente in uno dei due sensi (**fig. A**).
02. Muovere manualmente l'anta e portarla nella posizione desiderata.

Nota – Per effetto dell'elasticità dell'anta, dopo lo sblocco ad anta chiusa, potrebbe non essere possibile eseguire il blocco dell'anta nella stessa posizione.

• **Blocco:**

01. Inserire la chiave in uno dei 2 fori predisposti e ruotarla di 180°, indifferentemente in uno dei due sensi (**fig. A**).
02. L'anta si bloccherà alla prima manovra comandata dalla centrale.



INSTRUCTIONS ET MISES EN GARDE DESTINÉES À L'UTILISATEUR

Même si l'automatisme en votre possession satisfait le niveau de sécurité requis par les normes, cela n'exclut pas la persistance d'un "risque résiduel", c'est-à-dire la possibilité de situations de danger dues généralement à une utilisation inconsciente, voire erronée. C'est la raison pour laquelle nous désirons vous donner quelques conseils sur les comportements à adopter pour éviter tout inconvénient.

- **Avant d'utiliser pour la première fois l'automatisme**, faites-vous expliquer par l'installateur l'origine des risques résiduels et consacrez quelques minutes à la lecture du manuel **d'instructions** et d'avertissements pour l'utilisateur qui vous est remis par l'installateur. Conservez le manuel pour pouvoir le consulter pour n'importe quel doute futur et remettez-le à tout nouveau propriétaire de l'automatisme.

ATTENTION ! – Votre automatisme est une machine qui exécute fidèlement vos commandes ; une utilisation inconsciente et impropre peut la rendre dangereuses :

- **Ne commandez pas le mouvement de l'automatisme si des personnes, animaux ou choses se trouvent dans son rayon d'action.**
- **Éloigner les personnes de la porte lors de son actionnement au moyen des éléments de commande.**
- **Durant cette opération, contrôler l'automatisme et s'assurer que les personnes restent bien à une distance de sécurité jusqu'à la fin de la manœuvre.**
- **Il est strictement interdit de toucher toute partie de l'automatisme pendant que le portail ou la porte est en mouvement !**
- **Les photocellules ne sont pas un dispositif de sécurité mais seulement un dispositif auxiliaire de sécurité. Elles sont fabriquées avec une technologie hautement fiable mais peuvent, dans des situations extrêmes, subir des dysfonctionnements ou même tomber en panne et, dans certains cas, la panne pourrait ne pas être immédiatement évidente. Pour ces raisons, pendant l'utilisation de l'automatisme, il faut faire attention aux mises en garde suivantes :**
 - **Le passage n'est permis que si le portail ou la porte est complètement ouverte et avec les vantaux immobiles**
 - **IL EST STRICTEMENT INTERDIT de passer pendant que le portail ou la porte se renferme !**
 - **Vérifier périodiquement le fonctionnement correct des photocellules et faire exécuter les contrôle de maintenance prévus, au moins tous les 6 mois.**

• Enfants :

- Le produit n'est pas destiné à être utilisé par des personnes (y compris des enfants) aux capacités physiques, sensorielles ou mentales réduites, ou manquant d'expérience ou de connaissances.
- Les enfants ne doivent pas jouer avec l'appareil.
- Ne pas laisser les enfants jouer avec les dispositifs de commande du produit. Conserver les émetteurs hors de la portée des enfants.
- Le nettoyage et la maintenance qui doivent être effectués par l'utilisateur ne doivent pas être confiés à des enfants sans surveillance.

- **Anomalies :** en cas d'un comportement anormal quelconque de l'automatisation, débrancher l'alimentation électrique de l'installation et effectuer le déblocage manuel du motoréducteur (voir manuel d'instructions correspondant) pour faire fonctionner manuellement le portail. N'effectuer aucune réparation de bricolage mais demander l'intervention de votre installateur de confiance.

- **Maintenance :** une maintenance régulière (tous les 6 mois) est nécessaire afin de maintenir le niveau de sécurité constant et de garantir la durée maximale de toute l'automatisation. **Toute intervention de contrôle, maintenance ou réparation ne doit être effectuée que par du personnel qualifié.**

- Avant toute intervention (maintenance, nettoyage), il faut toujours débrancher le produit du secteur.
- Ne pas activer le produit lorsque des personnes effectuent des travaux sur l'automatisme ; débrancher l'alimentation électrique avant de permettre la réalisation de ces travaux.

- **Ne pas modifier l'installation et les paramètres de programmation et de réglage de la centrale de commande : la responsabilité est de votre installateur.**

- **Le test, les opérations de maintenance périodique et les réparations éventuelles doivent être documentés par celui qui effectue le travail.**

Les documents doivent être conservés par le propriétaire de l'installation. Les seules interventions que l'utilisateur peut effectuer périodiquement sont

le nettoyage des vitres de photocellules (utiliser un chiffon souple et légèrement humide) et l'enlèvement des feuilles et des cailloux éventuels qui pourraient gêner l'automatisme. **Important** – Avant de procéder, pour empêcher que quelqu'un puisse actionner le portail par inadvertance, débloquent manuellement le motoréducteur (voir le manuel d'instructions correspondant).

- **Élimination** : à la fin de la vie de l'automatisation, assurez-vous que l'élimination soit effectuée par du personnel qualifié et que les matériaux soient recyclés ou éliminés selon les normes valables au niveau local.

- **Rupture ou absence d'alimentation** : dans l'attente de l'intervention de votre installateur ou du retour de l'énergie électrique, si l'installation n'est pas dotée de batteries tampon, l'automatisation peut cependant être utilisée : il faut effectuer le déblocage manuel du motoréducteur (voir ci-dessous le paragraphe à ce sujet) et déplacer le vantail du portail manuellement comme souhaité.

DÉBLOQUER ET BLOQUER MANUELEMENT LE MOTORÉDUCTEUR

Le motoréducteur est doté d'un système mécanique qui permet d'ouvrir et de fermer le portail manuellement.

Ces opérations manuelles doivent être effectuées en cas de manque de courant électrique ou d'anomalies de fonctionnement. Dans ce dernier cas, l'utilisation du mécanisme de déblocage peut être utile aussi pour vérifier si la panne dépend du mécanisme lui-même.

Pour déblocer et bloquer le motoréducteur, utiliser la clé triangulaire fournie :

• Déblocage :

01. Insérer la clé dans un des 2 orifices latéraux présents sur le couvercle supérieur et la tourner de 180°, dans un des deux sens indifféremment (fig. A).

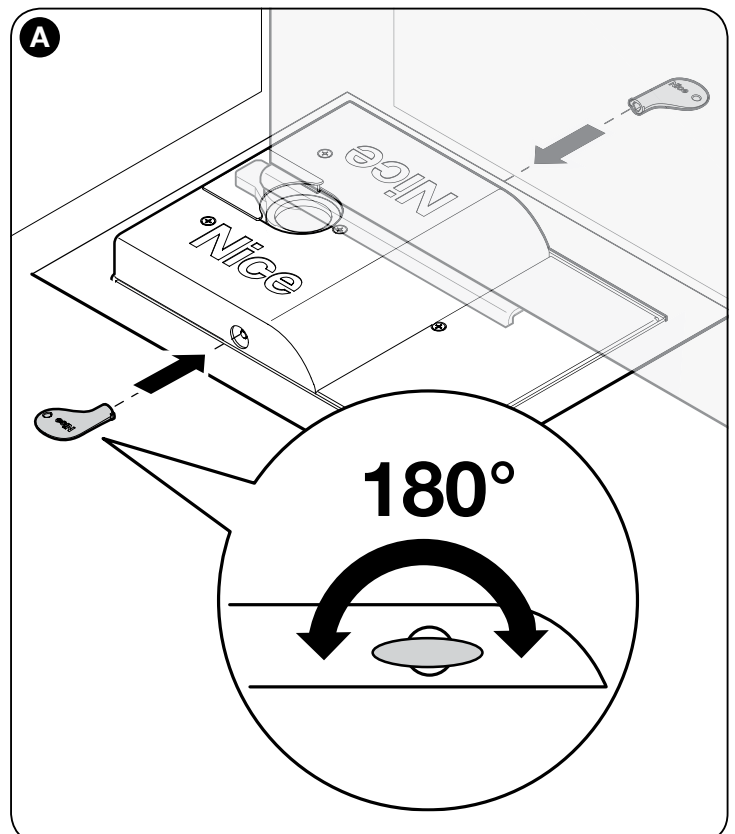
02. Déplacer manuellement le vantail et le situer dans la position souhaitée.

Remarque – Suite à l'effet de l'élasticité du vantail, après le déblocage à vantail fermé, il pourrait ne pas être possible d'effectuer le blocage du vantail dans la même position.

• Blocage :

01. Insérer la clé dans un des 2 orifices prévus et la tourner de 180°, dans un des deux sens indifféremment (fig. A).

02. Le vantail se bloquera à la première manœuvre commandée depuis la centrale.



INSTRUCCIONES Y ADVERTENCIAS DESTINADAS AL USUARIO

Aunque bien su automatización satisfaga el nivel de seguridad requerido por las normativas, esto no excluye la existencia de un "riesgo residual", es decir, la posibilidad de que se puedan crear situaciones de peligro causadas por un uso inconsciente o incorrecto. Por dicho motivo, a continuación le damos algunos consejos sobre cómo comportarse para evitar inconvenientes.

- **Antes de usar por primera vez la automatización**, pida a su instalador que le explique el origen de los riesgos residuales y lea este manual de **instrucciones y advertencias para el usuario** entregado por el instalador. Conserve el manual por cualquier problema que pueda surgir y recuerde entregarlo a un posible nuevo dueño de la automatización.

¡ATENCIÓN! – Su automatismo es una máquina que lleva a cabo fielmente los mandos que se le dan, por tanto, un uso inconsciente e inadecuado lo puede volver peligroso:

- No ordene el movimiento del automatismo si en su rayo de acción se encuentran personas, animales o cosas.
- Mantener a las personas alejadas al accionar el movimiento de la puerta mediante los elementos de mando.
- Durante la ejecución de una maniobra, controlar la automatización y asegurarse de que las personas se mantengan alejadas hasta que termine el movimiento.
- ¡Se prohíbe absolutamente tocar las partes del automatismo mientras la cancela o el portal están en movimiento!
- Las fotocélulas no son un dispositivo de seguridad, sino solo un dispositivo auxiliar para la misma. Están fabricadas con tecnología de altísima fiabilidad, pero en situación extremas, podrían sufrir problemas de funcionamiento o incluso averiarse, y en algunos casos la avería podría no encontrarse al instante. Por esta razón durante el uso del automatismo es necesario prestar atención a las siguientes advertencias:
 - Se permite el tránsito solo si la cancela o portal están completamente abiertos o con las hojas detenidas
 - ¡SE PROHÍBE ABSOLUTAMENTE transitar mientras la cancela o el portón se están cerrando!
 - Controle periódicamente el funcionamiento correcto de las fotocélulas y haga realizar los controles de mantenimiento previstos, al menos cada 6 meses.

• Niños:

- El producto no puede ser utilizado por los niños ni por personas con discapacidades físicas, sensoriales o mentales, o bien carentes de experiencia o conocimiento.
- Los niños no deben jugar con el aparato.
- No permitir que los niños jueguen con los dispositivos de mando del producto. Mantener los mandos a distancia fuera del alcance de los niños.
- La limpieza y el mantenimiento del aparato deben ser efectuados por el usuario y no por niños sin vigilancia.

- **Anomalías:** si se nota cualquier comportamiento anómalo del automatismo, quite la alimentación eléctrica de la instalación y bloquee manualmente el motorreductor (véase el respectivo manual de instrucciones), para hacer funcionar manualmente la cancela. No lleve a cabo reparaciones sin ayuda, solicite la intervención de su instalador de confianza.

- **Mantenimiento:** para mantener constante el nivel de seguridad y para garantizar la máxima duración del sistema completo de automatización es necesario efectuar un mantenimiento regular (cada 6 meses). **Cualquier intervención de control, mantenimiento o reparación la debe realizar solo personal calificado.**

- Antes de realizar cualquier operación en la instalación (limpieza, mantenimiento) hay que desconectar el aparato de la red de alimentación.
- No poner en funcionamiento el producto cuando en sus proximidades se estén realizando tareas en la automatización; es necesario desconectar la fuente de alimentación antes de realizar estas tareas.

- **No modifique la instalación y los parámetros de programación y de regulación de la central de mando: la responsabilidad es de su instalador.**

- **La inspección y pruebas, los mantenimientos periódicos y las posibles reparaciones las debe documentar quien los realiza.** Los documentos los debe conservar el propietario de la instalación. Las únicas intervenciones que el usuario puede realizar periódicamente, son la limpieza de los cristales de las fotocélulas (utilice un paño suave y humedecido) y la eliminación de posibles hojas o piedras que podrían obstaculizar el automatismo. **Importante** – Antes de continuar, para impedir que alguien pueda

accionar inesperadamente la cancela, desbloquee manualmente el motorreductor (véase respectivo manual de instrucciones).

- **Eliminación:** al final de la vida útil del automatismo, asegúrese de que la demolición la realice personal calificado y que los materiales se reciclen o eliminen según las normas válidas a nivel local.
- **Rotura o ausencia de alimentación eléctrica:** mientras se espera la intervención de su instalador o el regreso de la corriente eléctrica, si la instalación no tiene baterías tampón, el automatismo se puede utilizar igualmente: se debe desbloquear manualmente el motorreductor (véase a continuación la sección correspondiente) y mover la hoja de la cancela manualmente como se desea.

DESBLOQUEAR Y BLOQUEAR EL MOTORREDUCTOR MANUALMENTE

El motorreductor tiene un sistema mecánico que permite abrir y cerrar la cancela manualmente.

Estas operaciones manuales se deben realizar en los casos de falta de corriente eléctrica o de anomalías de funcionamiento. En este último caso el uso del mecanismo de desbloqueo puede ser útil también para controlar si la avería depende del mismo.

Para desbloquear y bloquear el motorreductor, utilice la llave triangular proporcionada:

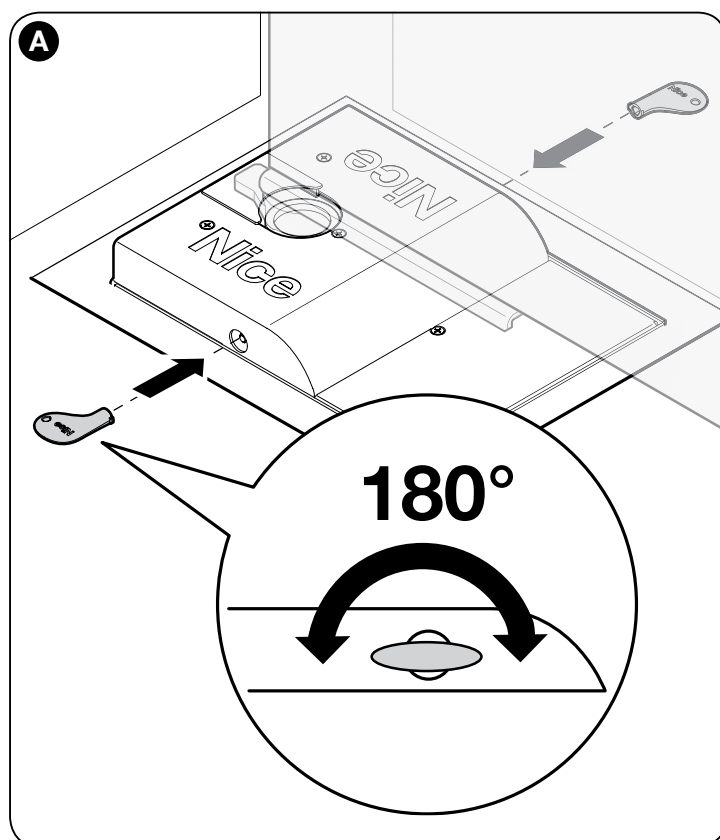
• Desbloqueo:

01. Introduzca la llave un uno de los 2 agujeros laterales presentes en la tapa superior, y gírela 180°, indiferentemente en un sentido o en el otro (**fig. A**).
02. Mueva manualmente la hoja y colóquela en la posición deseada.

Nota – Por efecto de la elasticidad de la hoja, después del desbloqueo con la hoja cerrada, podría no ser posible bloquearla en la misma posición.

• Bloqueo:

01. Introduzca la llave un uno de los 2 agujeros preparados y gírela 180°, indiferentemente en un sentido o en el otro (**fig. A**).
02. La hoja se bloqueará con la primera maniobra que dirija la central.



ANWEISUNGEN UND WARNHINWEISE FÜR DEN BENUTZER

Auch wenn Ihre Automatisierung den von den Vorschriften geforderten Sicherheitsniveaus entspricht, schließt dies das Vorhandensein von "Restrisiken" nicht aus, womit die Möglichkeit gemeint ist, dass gewöhnlich aufgrund eines verantwortungslosen oder falschen Gebrauchs Gefahren erzeugt werden können; wir möchten Ihnen deshalb ein paar Ratschläge geben, wie Sie sich verhalten sollten, um allen Unannehmlichkeiten aus dem Weg zu gehen.

- **Bevor Sie die Automatisierung zum ersten Mal verwenden**, lassen Sie sich von Ihrem Installateur erklären, wie Restrisiken entstehen können, und widmen Sie dem Lesen der **Anweisungen und Hinweise für den Benutzer**, die Ihnen Ihr Installateur aushändigen wird, ein paar Minuten. Bewahren Sie die Anleitung für zukünftige Zweifelsfälle auf und übergeben Sie diese ggf. einem neuen Besitzer der Automatisierung.

ACHTUNG! – Ihr Torantrieb ist eine Maschine, die getreu Ihre Befehle ausführt; durch unbewussten und unsachgemäßen Gebrauch kann sie gefährlich werden:

- Betätigen Sie den Antrieb niemals, wenn sich im Aktionsradius Personen, Tiere oder Sachen befinden.
- Halten Sie alle anwesenden Personen von der Automatisierung fern, wenn diese über die Steuerelemente bewegt wird.
- Während der Ausführung der Bewegung die Automatisierung kontrollieren und Personen solange fernhalten, bis die Bewegung abgeschlossen ist.
- Während das Tor in Bewegung ist, ist das Berühren von Teilen des Torantriebs strengstens verboten!
- Die Photozellen sind keine Sicherheitsvorrichtung, sondern lediglich eine der Sicherheit dienende Vorrichtung. Sie sind mit höchst zuverlässiger Technik hergestellt, können aber in Extremsituationen gestört arbeiten oder sogar versagen und in bestimmten Fällen könnte der Defekt nicht sofort erkennbar sein. Aus diesen Gründen sind bei der Benutzung des Torantriebs die Folgenden Hinweise zu beachten:
 - Das Passieren des Tors ist nur zulässig, wenn dies vollständig geöffnet ist und die Flügel still stehen
 - Während sich das Tor schließt, ist das Passieren STRENGSTENS VERBOTEN!
 - Kontrollieren Sie die Funktion der Photozellen regelmäßig und lassen Sie die vorgesehenen Wartungskontrollen mindestens alle 6 Monate durchführen.

• Kinder:

- Das Produkt ist nicht dafür bestimmt, durch Personen (einschließlich Kinder) mit eingeschränkten physischen, sensorischen oder geistigen Fähigkeiten oder mangels Erfahrung und/oder mangels Wissen benutzt zu werden.
- Kinder dürfen nicht mit dem Gerät spielen.
- Erlauben Sie es Kindern nicht, mit den Steuervorrichtungen dieses Produkts zu spielen. Die Fernbedienungen von Kindern fernhalten.
- Kinder dürfen Reinigungs- und Wartungsarbeiten, die dem Benutzer obliegen, nur dann ausüben, wenn sie von einer erwachsenen Person beaufsichtigt werden.

- **Störungen:** Wenn Sie ein ungewöhnliches Verhalten des Torantriebs bemerken, trennen Sie die Anlage von der Stromversorgung und führen Sie die manuelle Entriegelung des Toröffners durch (siehe entsprechende Bedienungsanleitung), um das Tor manuell zu bedienen. Führen Sie als Autodidakt keine Reparaturen aus, sondern fordern Sie die Hilfe des Installateurs Ihres Vertrauens an.

- **Wartung:** Um das Sicherheitsniveau konstant zu halten und die maximale Lebensdauer des gesamten Torantriebs zu garantieren, muss regelmäßig eine Wartung erfolgen (alle 6 Monate). **Alle Kontroll-, Wartungs- und Reparaturarbeiten dürfen ausschließlich durch Fachpersonal durchgeführt werden.**

- Das Produkt vor jeder Arbeit an der Anlage (Wartung, Reinigung) immer von der Stromversorgung abtrennen.
- Betätigen Sie das Produkt nicht, wenn in der Nähe Personen an der Automatisierung arbeiten; trennen Sie die Vorrichtung vom Stromnetz, bevor solche Arbeiten ausgeführt werden.

- **Nehmen Sie keine Änderungen an der Anlage und der Programmierung und Einstellung der Steuerung vor: Hierfür ist Ihr Installateur verantwortlich.**

- **Die Prüfung, die regelmäßigen Wartungs- und eventuellen Reparaturarbeiten müssen durch den die Arbeit ausführenden dokumentiert werden.** Die Unterlagen sind vom Eigentümer der Anlage aufzubewahren. Die einzigen Arbeiten, die der Benutzer regelmäßig selbst ausführen darf,

sind die Reinigung der Scheiben der Photozellen (mit einem weichen und leicht feuchten Tuch) und das Entfernen von Laub oder Steinen, die den Antrieb behindern könnten. **Wichtig** – Um zu verhindern, dass das Tor versehentlich betätigt werden kann, ist der Toröffner vor Arbeitsbeginn manuell zu entriegeln (siehe zugehörige Bedienungsanleitung).

- **Entsorgung:** Vergewissern Sie sich, dass der Torantrieb am Ende seiner Lebensdauer durch Fachpersonal demontiert und entsorgt und dass die Materialien gemäß den örtlich geltenden Bestimmungen dem Recycling bzw. der Entsorgung zugeführt werden.
- **Defekt oder Stromausfall:** Während Sie auf Ihren Installateur oder die Rückkehr der Stromversorgung warten und wenn die Anlage nicht mit Pufferbatterien ausgerüstet ist, der Antrieb trotzdem benutzt werden: Dazu ist die manuelle Entriegelung des Toröffners durchzuführen (siehe entsprechenden Abschnitt weiter unten) und der Torflügel manuell wie gewünscht zu bewegen.

MANUELLES ENT- UND VERRIEGELN DES TORÖFFNERS

Der Toröffner ist mit einem mechanischen System ausgerüstet, das ein manuelles Öffnen und Schließen des Tores erlaubt.

Dieses manuelle Verfahren ist bei Ausfall der Stromversorgung und bei Funktionsstörungen anzuwenden. Im letzteren Fall kann der Entriegelungsmechanismus auch dazu dienen, zu prüfen, ob der Defekt vom Mechanismus selbst abhängig ist.

Zum Ent- und Verriegeln des Toröffners ist der mitgelieferte dreieckige Schlüssel zu verwenden:

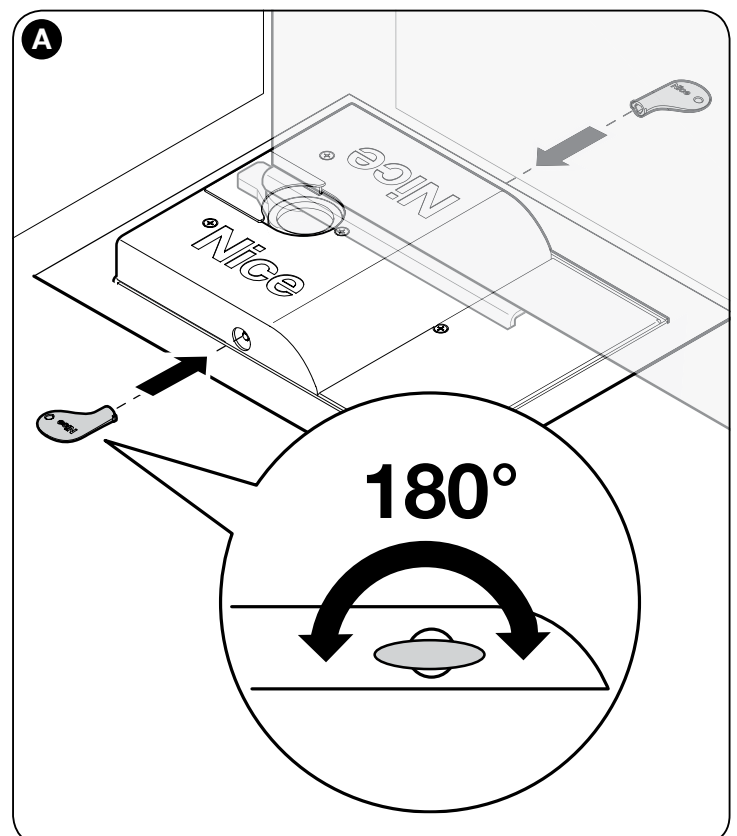
• Entriegelung:

01. Schlüssel in eine der beiden seitlichen Öffnungen im oberen Deckel einstecken und um 180° drehen, egal ob links- oder rechtsherum (**Abb. A**).
02. Flügel manuell bewegen und in die gewünschte Stellung bringen.

Anmerkung – Aufgrund der Elastizität des Flügels könnte es nach dem Entriegeln bei geschlossenem Flügel eventuell nicht möglich sein, den Flügel in derselben Position zu verriegeln.

• Verriegelung:

01. Schlüssel in eine der beiden Öffnungen einstecken und um 180° drehen, egal ob links- oder rechtsherum (**Abb. A**).
02. Der Flügel wird bei der ersten von der Steuerung ausgelösten Bewegung verriegelt.



INSTRUKCJE I OSTRZEŻENIA PRZEZNACZONE DLA UŻYTKOWNIKA

Gdy automatyka spełnia wasze wymagania w zakresie bezpieczeństwa i zgodnie z normami prawnymi nie znaczy to, że nie istnieją inne niebezpieczeństwa. Mogą się bowiem utworzyć sytuacje ni bezpieczne spowodowane nieodpowiedzialnym i błędnym użytkowaniem. Dlatego też chcemy przekazać wam użyteczne wskazówki w celu uniknięcia takich niekorzystnych sytuacji.

- **Przed pierwszym uruchomieniem automatyki**, należy poprosić instalatora o dokładne przedstawienie ewentualnych niebezpieczeństw. Przeczytać **instrukcję i ostrzeżenia dla instalatora**, którą wam przekazał. Należy przechowywać instrukcję w celu możliwych późniejszych konsultacji i przekazać ją ewentualnemu następnemu użytkownikowi bramy.

UWAGA! – Wasz automat jest mechanizmem, który wiernie wykonuje Wasze polecenia; bezmyślne i niewłaściwe użycie może stać się niebezpieczne:

- Nie zlecać automatowi ruchu, jeśli w promieniu jego działania znajdują się osoby, zwierzęta lub rzeczy.
- Osoby trzecie nie powinny się znajdować w pobliżu bramy podczas jej przesuwania przy użyciu elementów sterowniczych.
- Podczas wykonywania manewru, należy nadzorować automatykę i zadbać o to, aby inne osoby nie zbliżyły się do urządzenia, aż do czasu zakończenia czynności.
- Surowo zakazane jest dotykanie części automatu, podczas gdy bramka lub brama są w ruchu!
- Fotokomórki nie są urządzeniem bezpieczeństwa, lecz jedynie urządzeniem pomocniczym ze względów bezpieczeństwa. Zostały wykonane z zastosowaniem najlepszej technologii, lecz w krańcowych sytuacjach, mogą ulec nieprawidłowościom, czy nawet uszkodzić się i w niektórych przypadkach, uszkodzenie to mogłoby nie być od razu widoczne. Z tego względu, podczas używania automatu, należy zwracać uwagę na następujące ostrzeżenia:
 - Przejście/przejazd są możliwe wyłącznie, gdy bramka lub brama są całkowicie otwarte, a skrzydła nieruchome
 - SUROWO ZABRANIA SIĘ przechodzić/przejeżdżać, gdy brama lub bramka zamyka się!
 - Okresowo należy sprawdzać właściwe funkcjonowanie fotokomórek i zlecić wykonanie zaplanowanych kontroli konserwacyjnych przynajmniej co 6 miesięcy.

• Dzieci:

- Urządzenie nie jest przeznaczone do użytku przez osoby (również dzieci), których możliwości fizyczne, czuciowe lub umysłowe są ograniczone. Z urządzenia nie mogą również korzystać osoby bez doświadczenia i stosownej wiedzy.
- Nie zezwalać dzieciom na zabawę urządzeniem.
- Nie zezwalać dzieciom na zabawę urządzeniami sterującymi produktem. Przechowywać piloty w miejscu niedostępnym dla dzieci.
- Czyszczenie i konserwacja, za którą jest odpowiedzialny użytkownik, nie powinna być wykonywana przez dzieci pozbawione opieki.

- **Nieprawidłowości:** jeśli zauważy się jakiegokolwiek nieprawidłowe zachowanie automatu, należy odłączyć zasilanie elektryczne od instalacji i ręcznie odblokować siłownik (patrz odpowiednia instrukcja obsługi), aby ręcznie doprowadzić do pracy bramy. Nie wykonywać samodzielnie żadnych napraw, lecz zwrócić się o interwencję do Waszego zaufanego instalatora.

- **Konserwacja:** aby zachować poziom bezpieczeństwa i zagwarantować maksymalny okres funkcjonowania całego automatu, konserwację należy przeprowadzać regularnie (co 6 miesięcy). **Jakiegokolwiek interwencji dotyczącej kontroli, konserwacji czy naprawy może dokonać wyłącznie wykwalifikowany personel.**

- Przed wykonaniem działań na instalacji (konserwacja, czyszczenie), należy zawsze odłączyć produkt od sieci zasilającej.
- Nie sterować automatyką, jeżeli w jej pobliżu znajdują się osoby wykonujące czynności; przed wykonaniem tych czynności należy odłączyć zasilanie elektryczne.

- **Nie wprowadzać zmian do instalacji i parametrów programowania i regulacji centrali:** jest to zadanie dla Waszego instalatora.

- **Osoba przeprowadzająca test kontrolny, konserwację okresową i dokonująca ewentualnych napraw, musi to udokumentować.** Takie dokumenty musi przechować właściciel instalacji. Jedyne czynności, które może wykonać użytkownik od czasu do czasu, to czyszczenie szyb fotokomórek (korzystając z miękkiej, lekko wilgotnej szmatki) i usunięcie ewentualnych liści czy kamyków, mogących zablokować automat. **Ważne** – Przed kontynuacją, należy ręcznie odblokować siłownik, aby nie dopuścić, żeby ktoś nieoczekiwanie uruchomił bramkę (patrz odpowiednia instrukcja obsługi).

- **Utylizacja:** na zakończenie okresu funkcjonowania automatu, należy upewnić się, że utylizacji dokona wykwalifikowany personel, a materiały zostaną poddane recyklingowi lub utylizacji zgodnie z miejscowymi przepisami.

- **Uszkodzenie lub brak zasilania:** czekając na interwencję Waszego instalatora lub na powrót dopływu energii elektrycznej, jeśli instalacja nie jest wyposażona w baterie buforowe, z automatu można korzystać w dalszym ciągu: należy ręcznie odblokować siłownik (patrz poniżej specjalny paragraf) i ręcznie poruszyć skrzydłem bramki tak, jak się tego wymaga.

ODBLOKOWAĆ I ZABLOKOWAĆ SIŁOWNIK RĘCZNIE

Siłownik wyposażony jest w mechaniczny system, umożliwiający otwarcie i zamknięcie bramki ręcznie.

Czynności te należy wykonać ręcznie w razie przerwy w dopływie prądu elektrycznego lub nieprawidłowości. W tym ostatnim przypadku, użycie mechanizmu odblokowującego może być przydatne również do sprawdzenia, czy uszkodzenie zależne jest od samego mechanizmu.

Aby odblokować i zablokować siłownik, skorzystaj z trójkątnego klucza z wyposażenia:

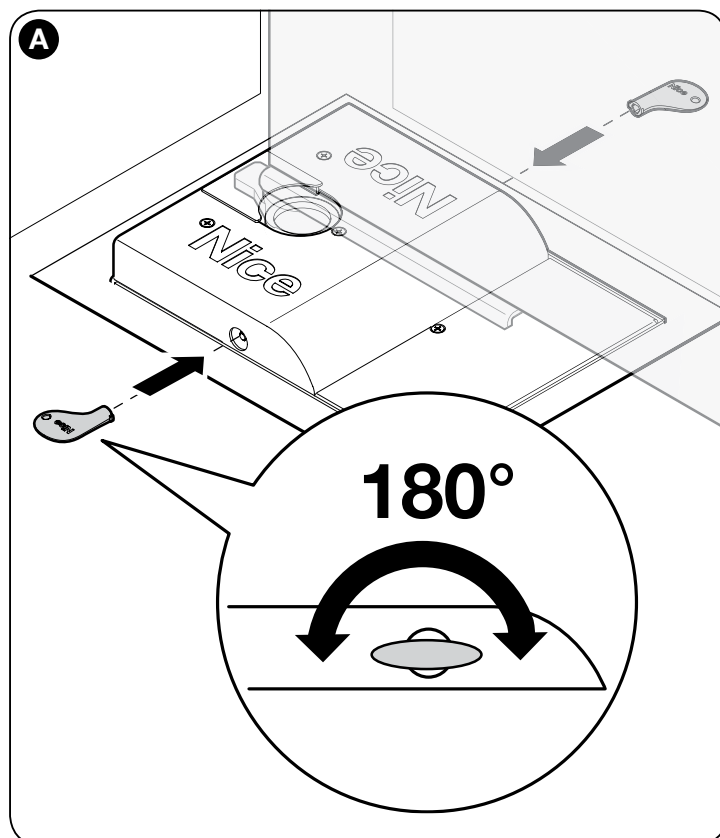
• Odblokowanie:

01. Włożyć klucz do jednego z 2 otworów bocznych na przykrywce górnej i przekręcić go o 180°, w jedną albo w drugą stronę (**rys. A**).
02. Poruszyć ręcznie skrzydłem i doprowadzić je do pożądanej pozycji.

Adnotacja – Wskutek elastyczności skrzydła, po odblokowaniu przy zamkniętym skrzydłem, może okazać się niemożliwe zablokowanie skrzydła na tej samej pozycji.

• Zablokowanie:

01. Włożyć klucz do jednego z 2 przygotowanych otworów i przekręcić go o 180°, w jedną albo w drugą stronę (**rys. A**).
02. Skrzydło zablokuje się przy pierwszym ruchu zleconym z centrali.



INSTRUCTIES EN WAARSCHUWINGEN VOOR DE GEBRUIKER

Ook al beantwoordt de automatisering in uw bezit aan het in normen en wetten voorgeschreven veiligheidsniveau, dit sluit niet uit dat er een "restrisico" bestaat, dat wil zeggen de mogelijkheid dat er gevaarlijke situaties kunnen ontstaan, die gewoonlijk te wijten zijn aan onverantwoordelijk of zelfs verkeerd gebruik. Hierom willen wij u enige adviezen geven hoe u met de automatisering dient om te gaan teneinde elk eventueel probleem te voorkomen.

- **Voordat u de automatisering voor de eerste maal gaat gebruiken**, is het raadzaam u door de installateur te laten uitleggen waar de restrisico's ontstaan, en enkele minuten van uw tijd te besteden aan het lezen van deze handleiding met aanwijzingen en **aanbevelingen voor de gebruiker** die de installateur u overhandigd heeft. Bewaar deze handleiding voor eventuele toekomstige twijfels en geef haar aan een eventuele nieuwe eigenaar van de automatisering.

LET OP! - Uw automatisering is een machine die uw opdrachten trouw uitvoert. Onnadenkend en oneigenlijk gebruik kunnen het automatische gevaarlijk maken:

- Laat het automatische geen bewegingen uitvoeren indien mensen, dieren of voorwerpen zich in diens actieradius bevinden.
- Houd personen uit de buurt van de poort wanneer deze wordt bewogen met behulp van de bedieningselementen.
- Controleer de automatisering tijdens het uitvoeren van de manoeuvre en houd personen op enige afstand tot de beweging voltooid is.
- Het is absoluut verboden om de delen van de automatisering aan te raken terwijl het hek of de poort in beweging is!
- De fotocellen zijn geen veiligheidsvoorziening maar alleen een hulpvoorziening voor de veiligheid. Deze zijn geconstrueerd met een zeer betrouwbaar technologie maar kunnen in extreme situaties storingen ondergaan of zelfs kapot gaan en in zekere gevallen zou het defect niet onmiddellijk duidelijk zijn. Om deze redenen is het tijdens het gebruik van de automatisering nodig om op de volgende waarschuwingen te letten:
 - Doorgang is alleen toegestaan wanneer het hek of de poort volledig geopend is en de hekvleugels stilstaan
 - De doorgang is **ABSOLUUT VERBODEN** terwijl het hek of de poort aan het sluiten is!
 - Controleer regelmatig de correcte werking van de fotocellen en laat minstens om de 6 maanden de voorziene onderhoudscontroles uitvoeren.

• Kinderen:

- Het product is niet bestemd voor gebruik door personen (inclusief kinderen) met lichamelijke, zintuiglijke of geestelijke beperkingen of met gebrek aan ervaring of kennis.
- Kinderen mogen niet met het apparaat spelen.
- Laat kinderen niet met de bedieningselementen van het product spelen. Houd de afstandsbedieningen buiten het bereik van kinderen.
- Reinigings- en onderhoudswerkzaamheden die door de gebruiker kunnen worden uitgevoerd, mogen niet worden toevertrouwd aan kinderen die niet onder toezicht staan.

- **Afwijkingen:** indien afwijkend gedrag van het automatische van welke aard ook geconstateerd wordt, neem dan de elektrische voeding naar de installatie weg en verricht de manuele deblokkering van de reductiemotor (zie de respectievelijke handleiding met instructies) om het hek manueel te laten werken. Verricht zelf geen enkele reparatie maar vraag om de tussenkomst van uw vertrouwensinstallateur.

- **Onderhoud:** Om het veiligheidsniveau constant te houden en om de maximale levensduur van de volledige automatisering te garanderen, is het noodzakelijk om regelmatig onderhoud uit te voeren (om de 6 maanden). **Iedere ingreep die verband houdt met de controle, het onderhoud of de reparatie dient alleen te worden uitgevoerd door gekwalificeerd personeel.**

- Voordat u werkzaamheden aan de installatie uitvoert (onderhoud, reiniging), moet het product altijd worden losgekoppeld van de netvoeding.
- Bedien het product niet als er personen in de buurt zijn die werkzaamheden op de automatisering uitvoeren; koppel de elektrische voeding los alvorens deze werkzaamheden te laten uitvoeren.

- **De installatie en de parameters voor programmering en instelling van de besturingskast niet wijzigen:** dit is de verantwoordelijkheid van uw installateur.

- **Het testen, het periodieke onderhoud en de eventuele reparaties moeten gedocumenteerd worden door degene die het werk uitvoert.** Deze documenten moeten bewaard worden door de eigenaar van de installatie. De enige ingrepen die de gebruiker zelf regelmatig kan uitvoeren, bestaat uit de reiniging van de ruitjes van de fotocellen (gebruik een zachte

en enigszins vochtige doek) en uit de verwijdering van bladeren of stenen die de werking van het automatische zouden kunnen belemmeren. **Belangrijk** – Alvorens te beginnen en om te voorkomen dat iemand het hek onverhoeds kan activeren, moet de reductiemotor met de hand gedeblokkeerd worden (zie de respectievelijke handleiding met instructies).

- **Vuilverwerking:** aan het einde van de levensduur van de automatisering dient u te controleren of de ontmanteling uitgevoerd wordt door gekwalificeerd personeel en of het materiaal gerecycled wordt dan wel wordt weggegooid volgens de plaatselijke geldende normen.
- **Stuk gaan of afwezigheid voeding:** in afwachting van de tussenkomst van uw installateur of van de terugkeer van de elektrische energie, en indien de installatie geen bufferbatterij heeft, kan de automatisering toch gebruikt worden: de reductiemotor moet manueel gedeblokkeerd worden (zie de volgende paragraaf die daarover gaat) en de vleugel kan naar wens met de hand bewogen worden.

MANUEEL DEBLOKKEREN EN BLOKKEREN VAN DE REDUCTIEMOTOR

De reductiemotor is uitgerust met een mechanisch systeem waarmee het hek manueel geopend en gesloten kan worden.

Deze manuele handelingen moeten uitgevoerd worden wanneer de elektrische stroom ontbreekt of er storingen in de werking zijn. In dit laatste geval kan het mechanisme van de deblokkering ook nuttig zijn om te controleren of het defect van het mechanisme zelf afhankelijk is.

Gebruik de bijgeleverde driehoekige sleutel voor de deblokkering en de blokkering van de reductiemotor:

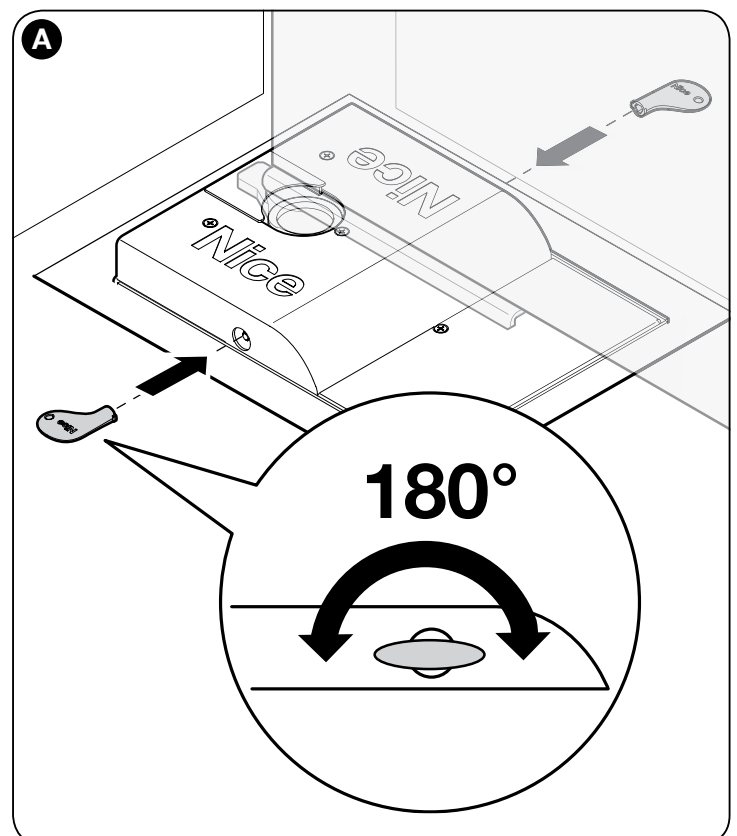
• Deblokkering:

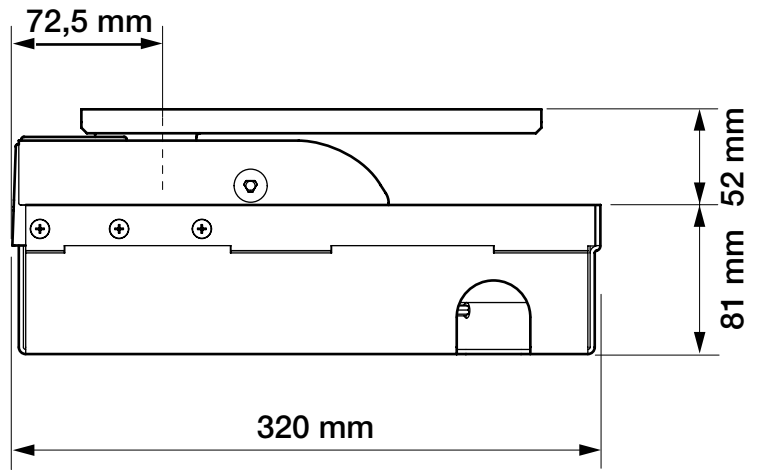
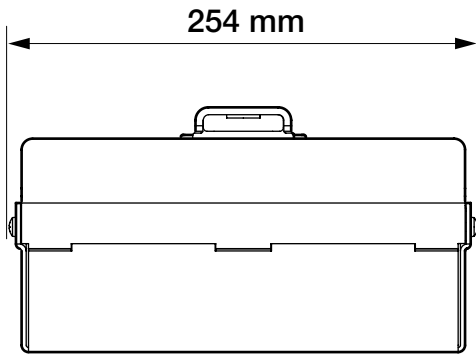
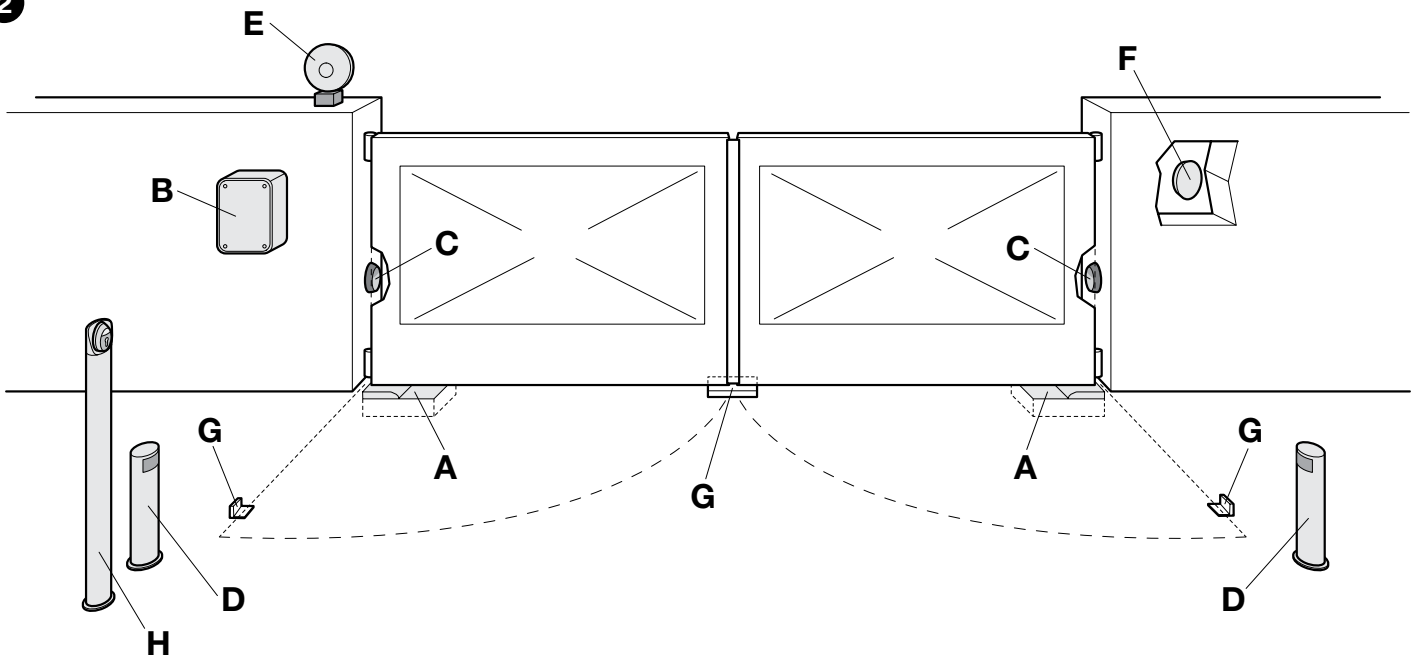
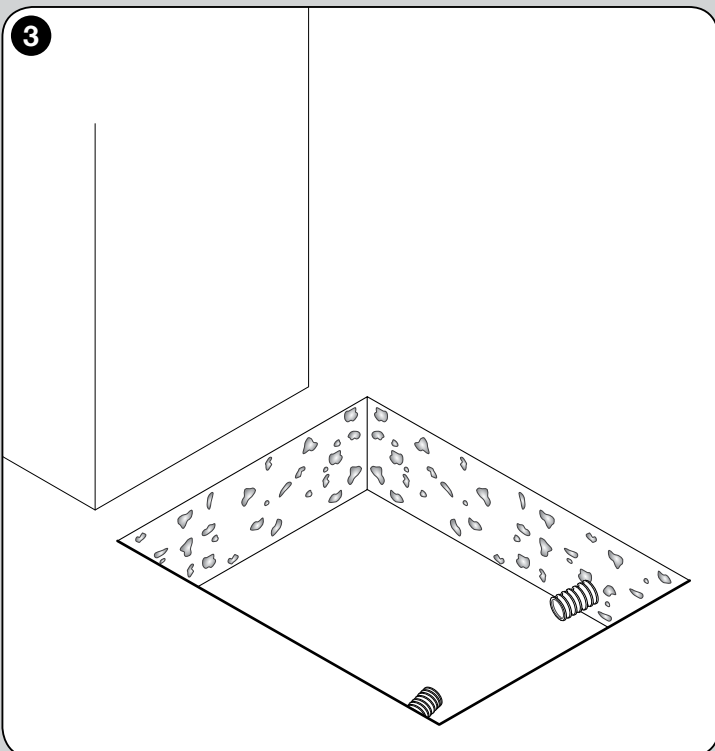
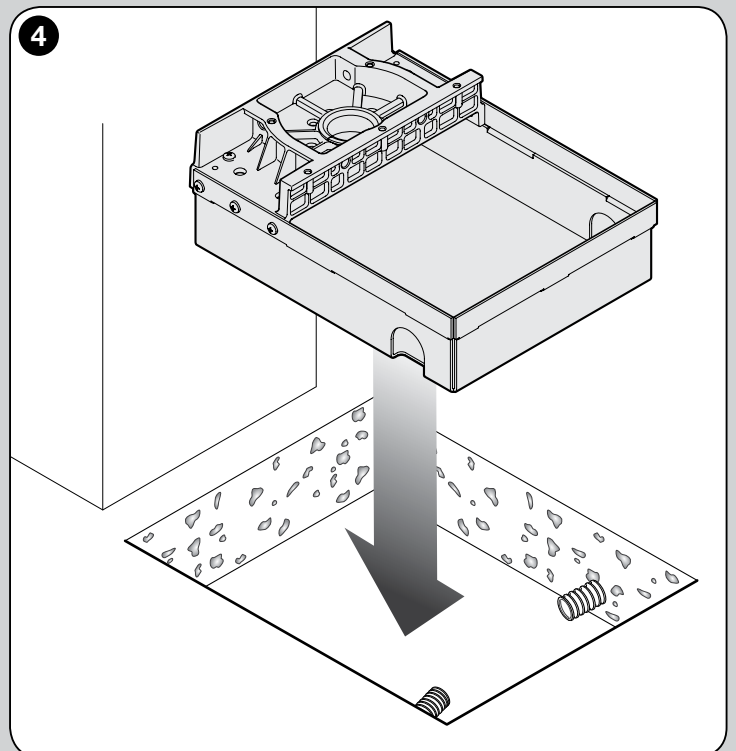
01. Steek de sleutel in één van de 2 zijgaten op het bovenste deksel en draai de sleutel 180° in ongeacht welke van de twee richtingen (**afb. A**).
02. Beweeg de hekvleugel met de hand en zet hem in de gewenste stand.

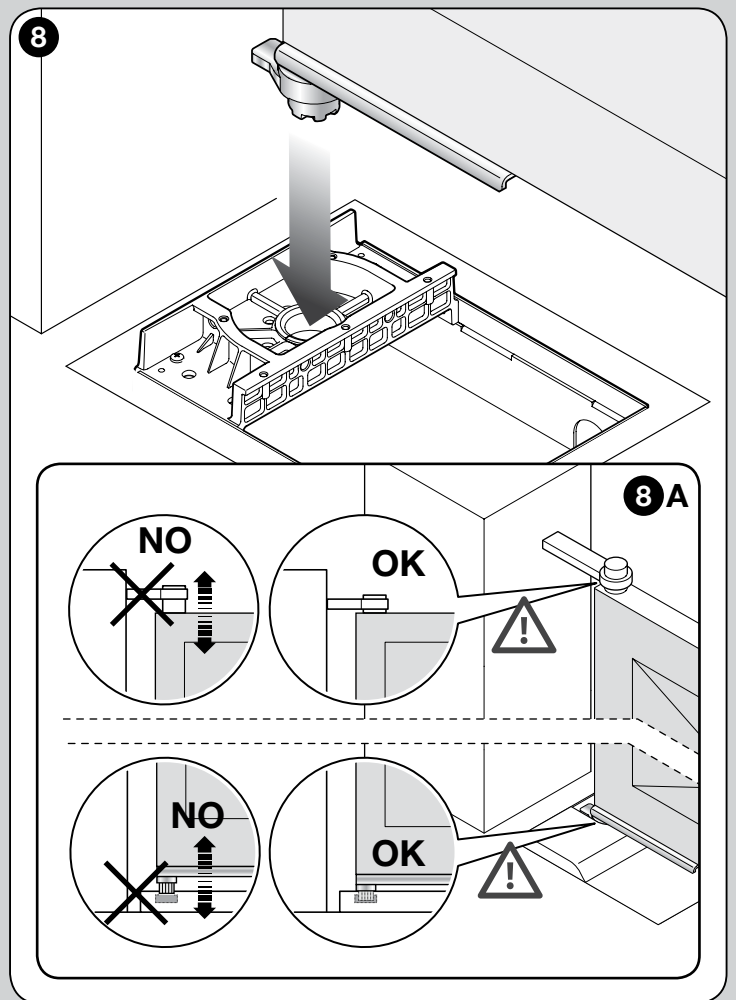
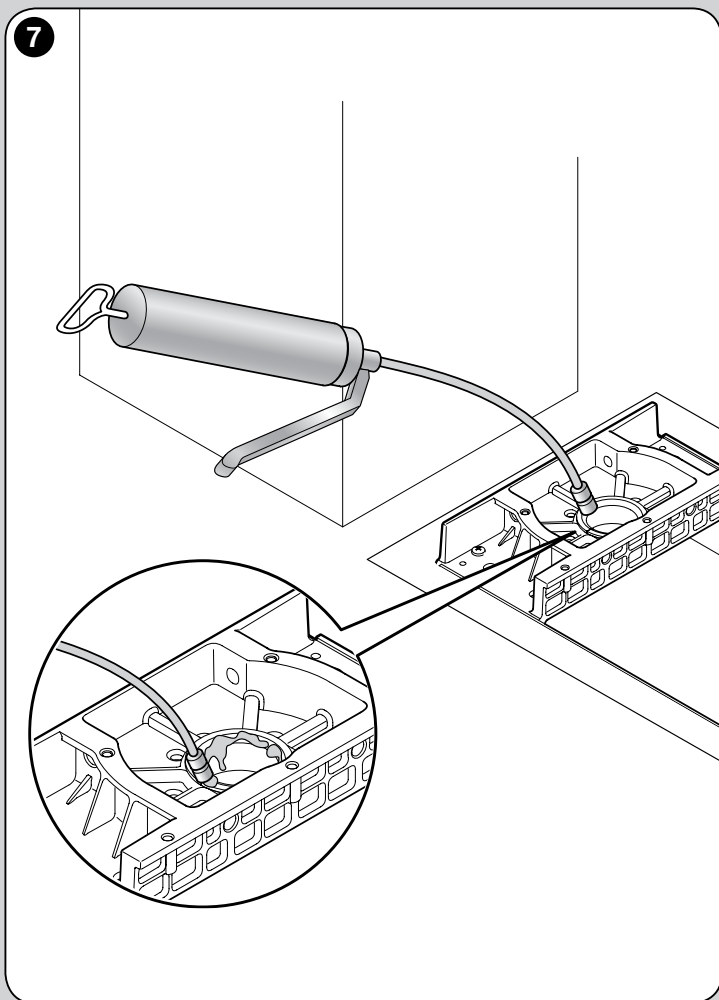
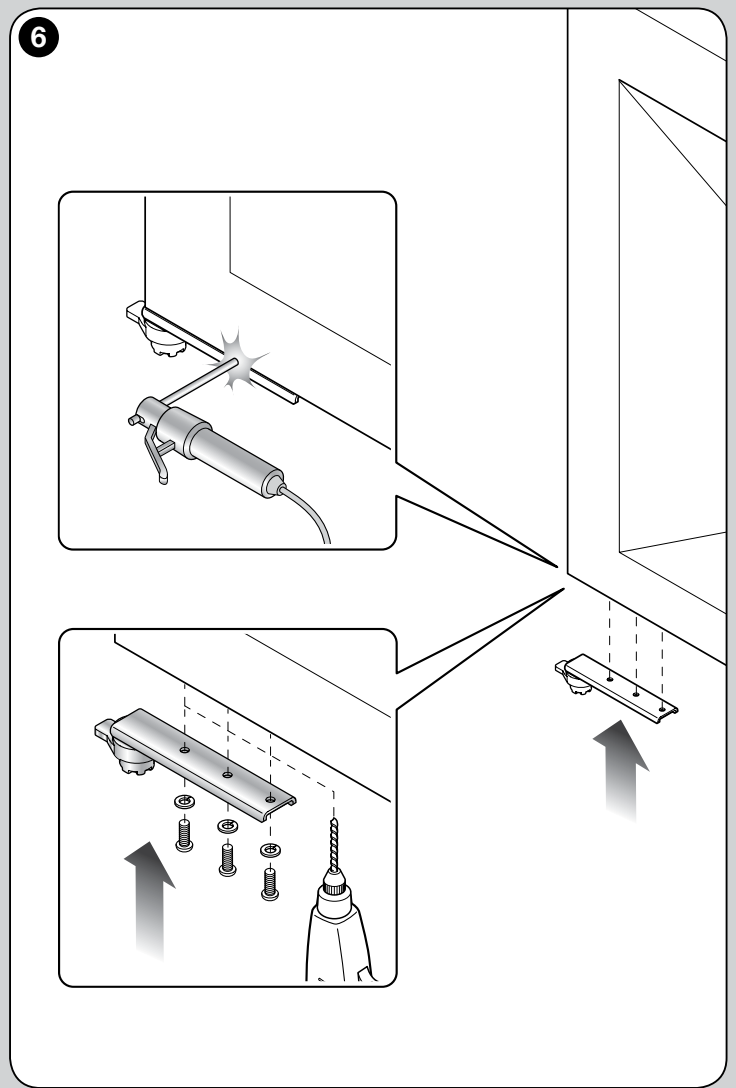
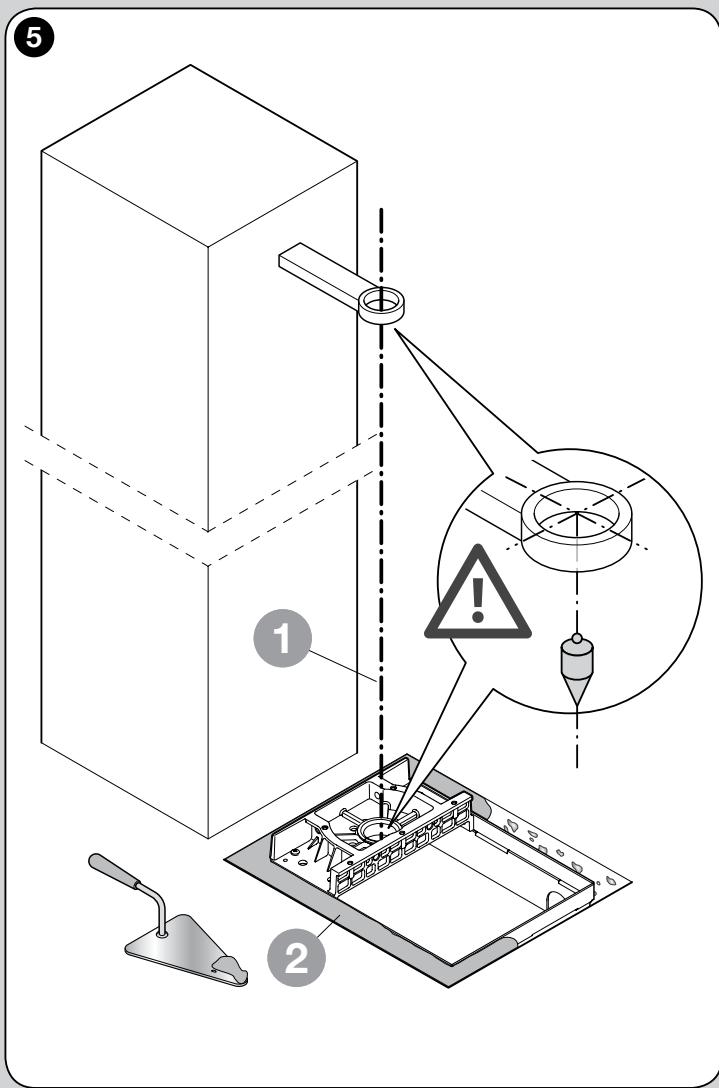
Nota – Door de elasticiteit van de hekvleugel zou het na de deblokkering met gesloten hekvleugel kunnen zijn dat het niet meer mogelijk is de hekvleugel in dezelfde positie te blokkeren.

• Blokkering:

01. Steek de sleutel in één van de 2 aanwezige gaten en draai de sleutel 180° in ongeacht welke van de twee richtingen (**afb. A**).
02. De hekvleugel zal geblokkeerd worden bij de eerste manoeuvre die door de besturingskast bediend wordt.



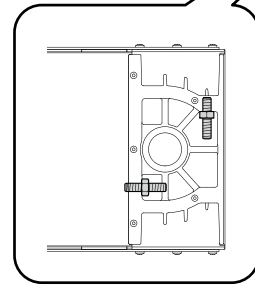
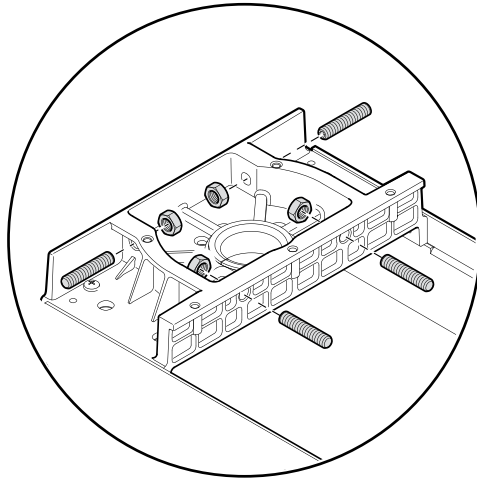
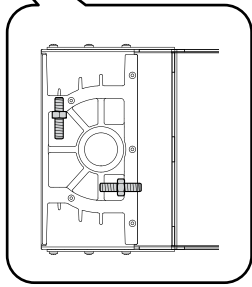
1**2****3****4**



9

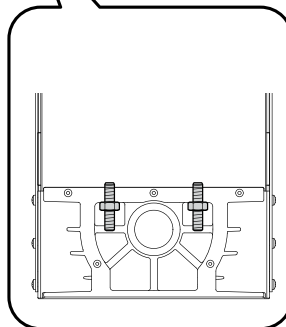
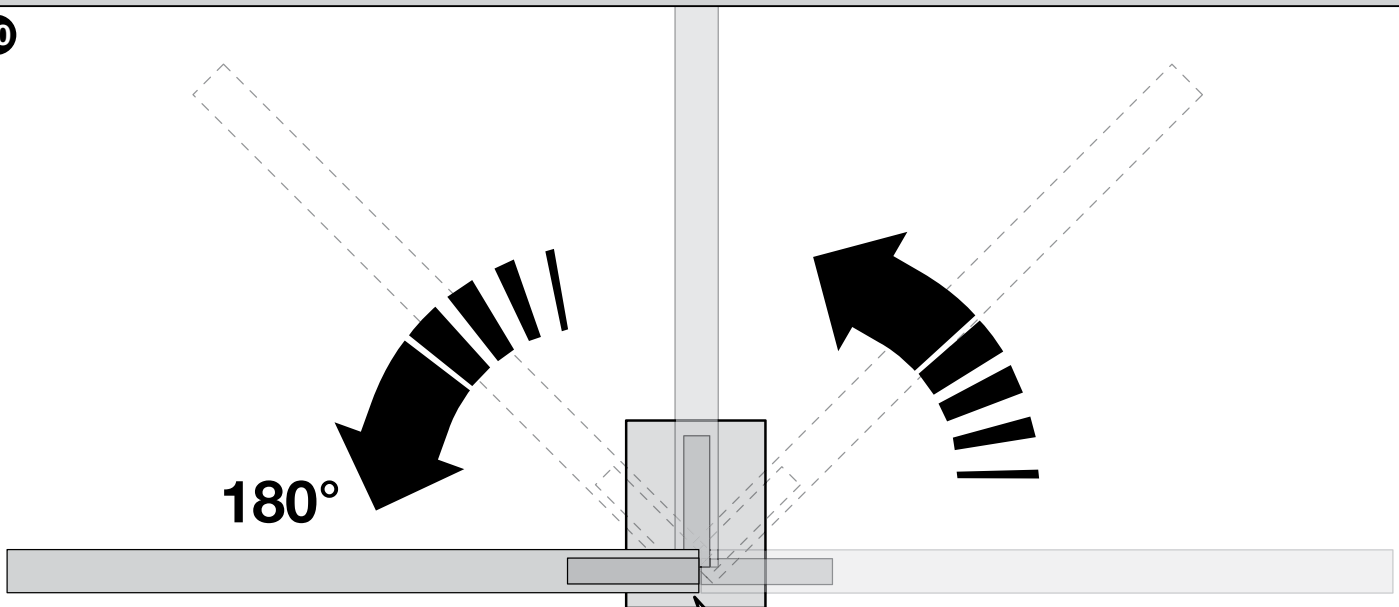
90°

90°

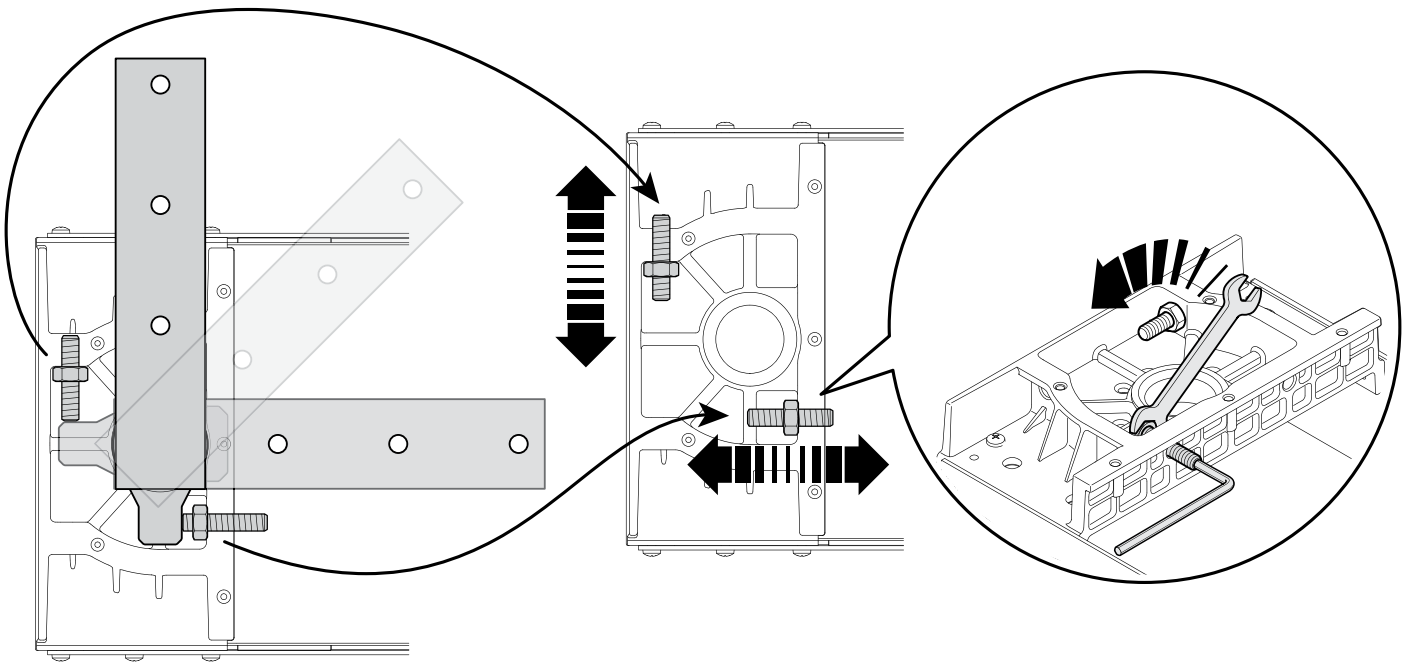


10

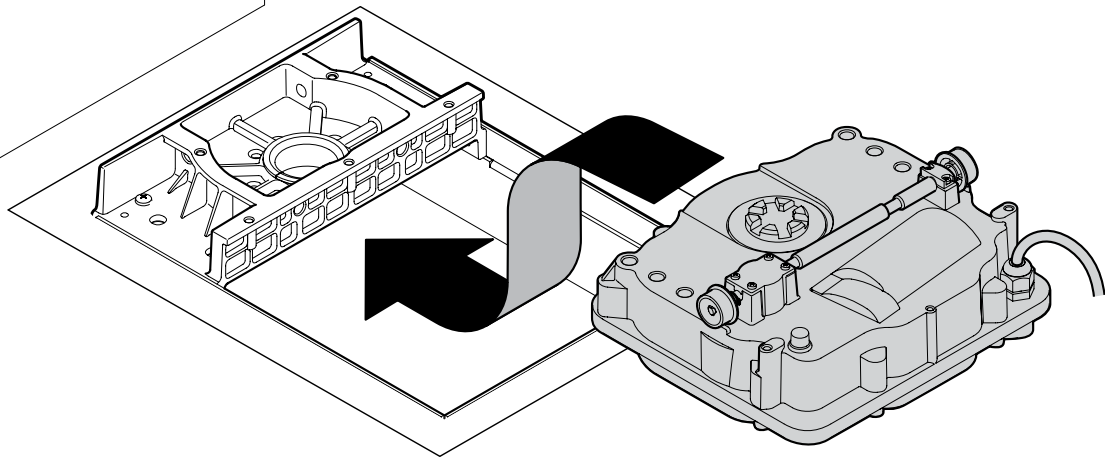
180°



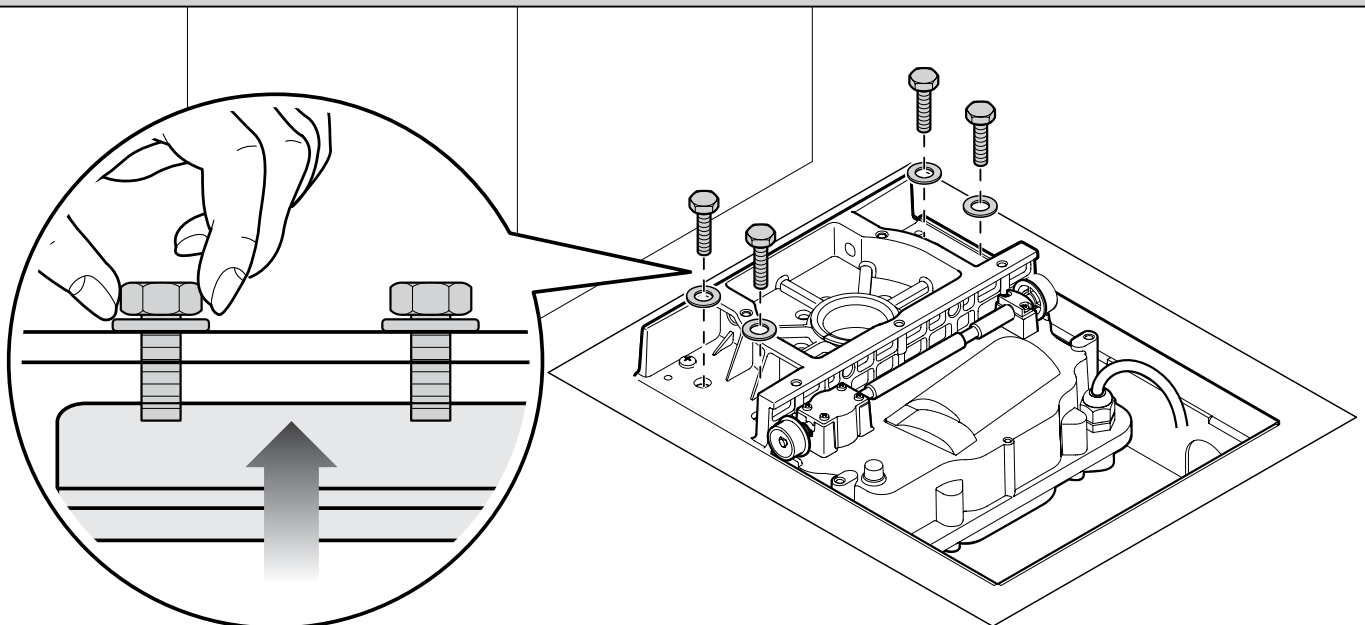
11



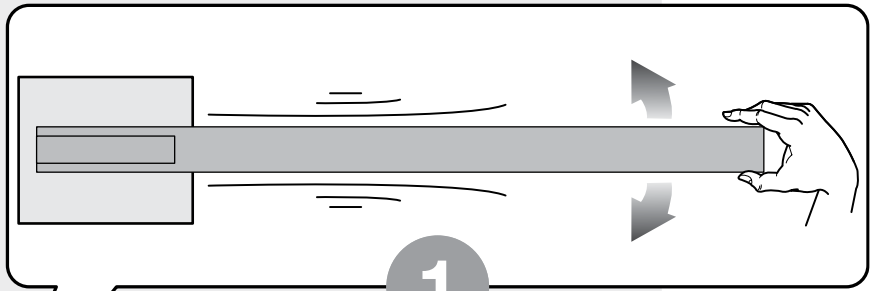
12



13

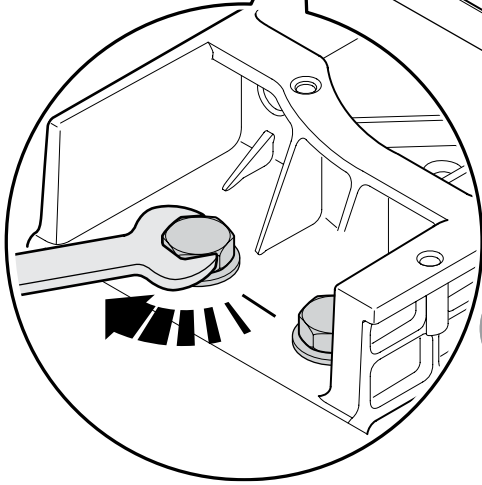


14

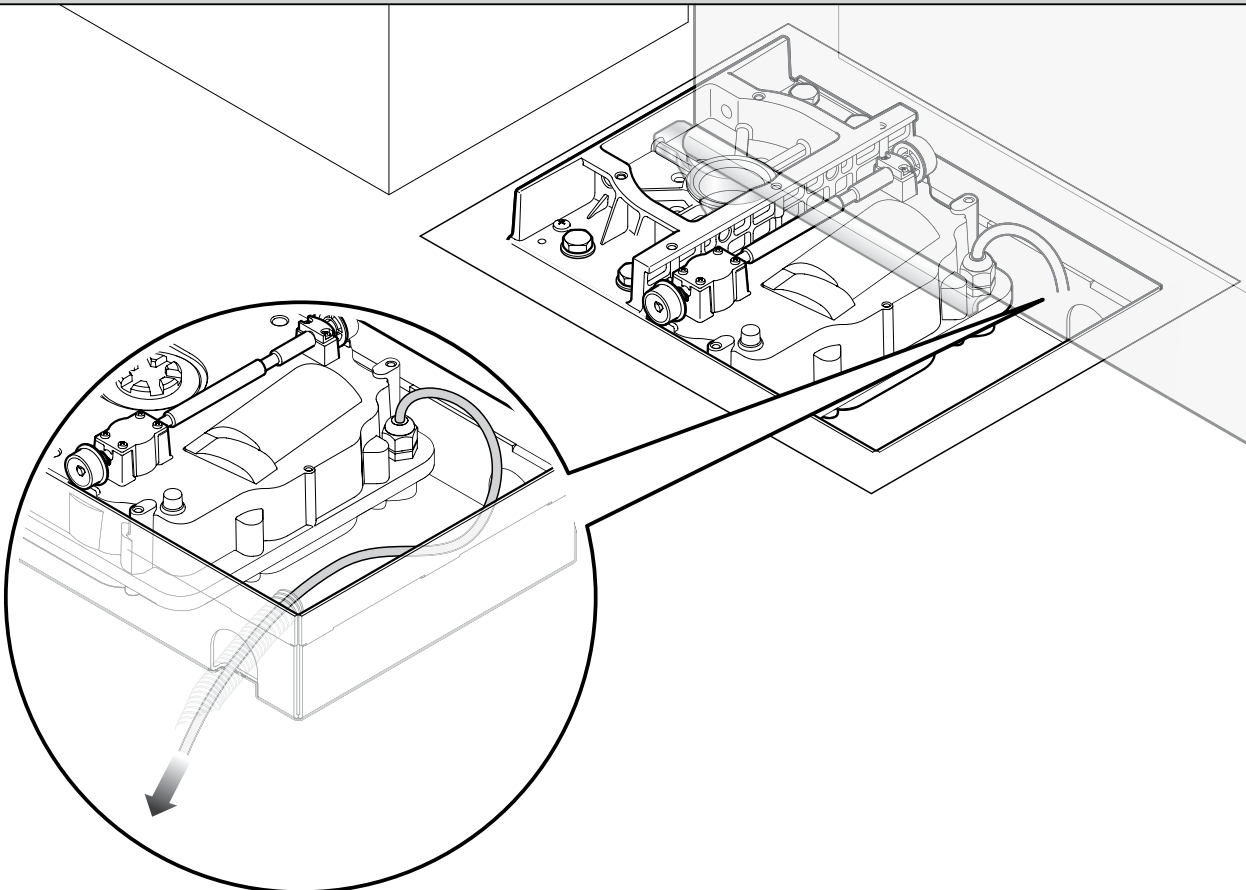


Clack!

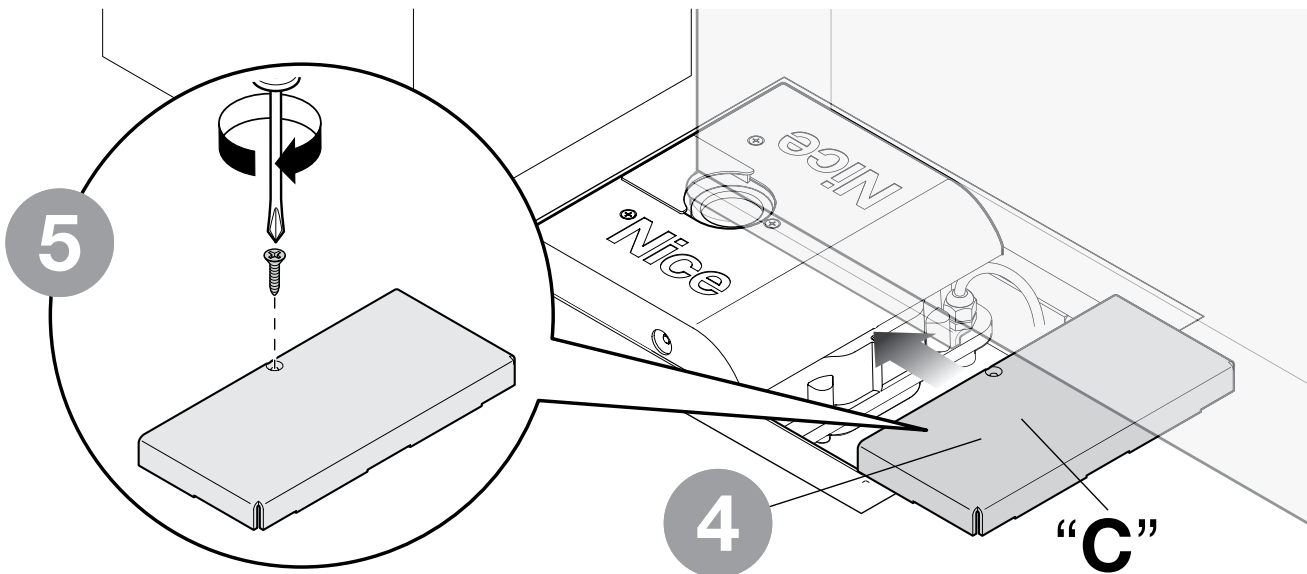
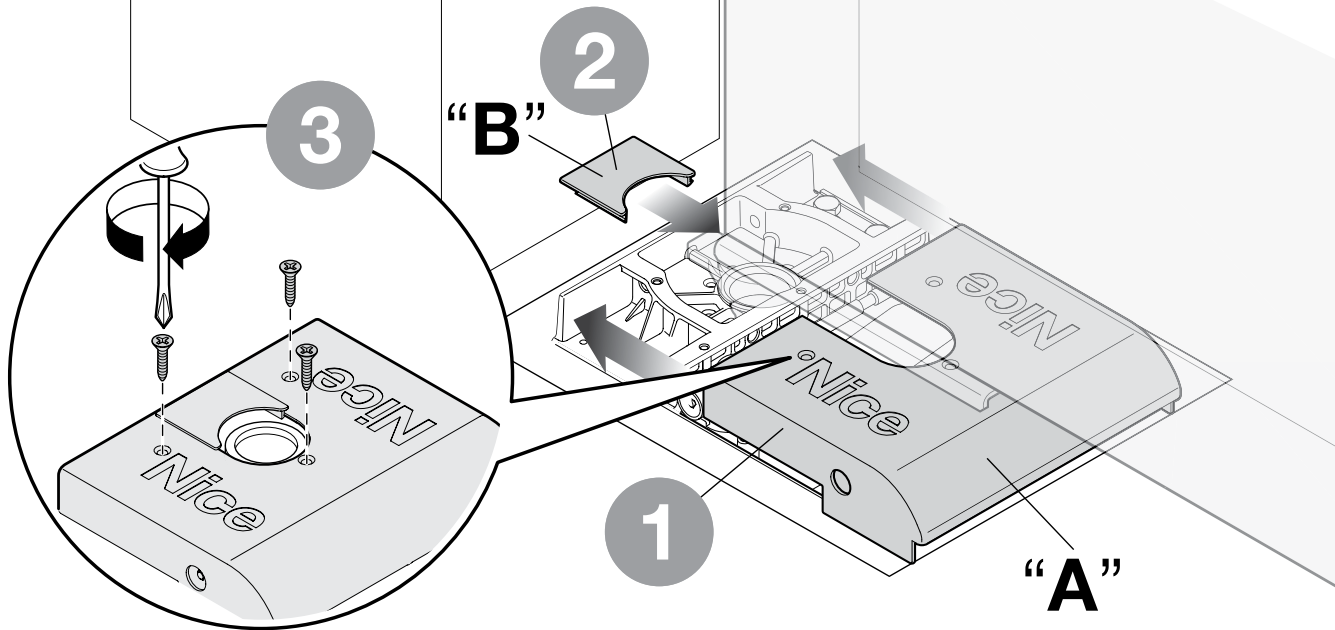
2



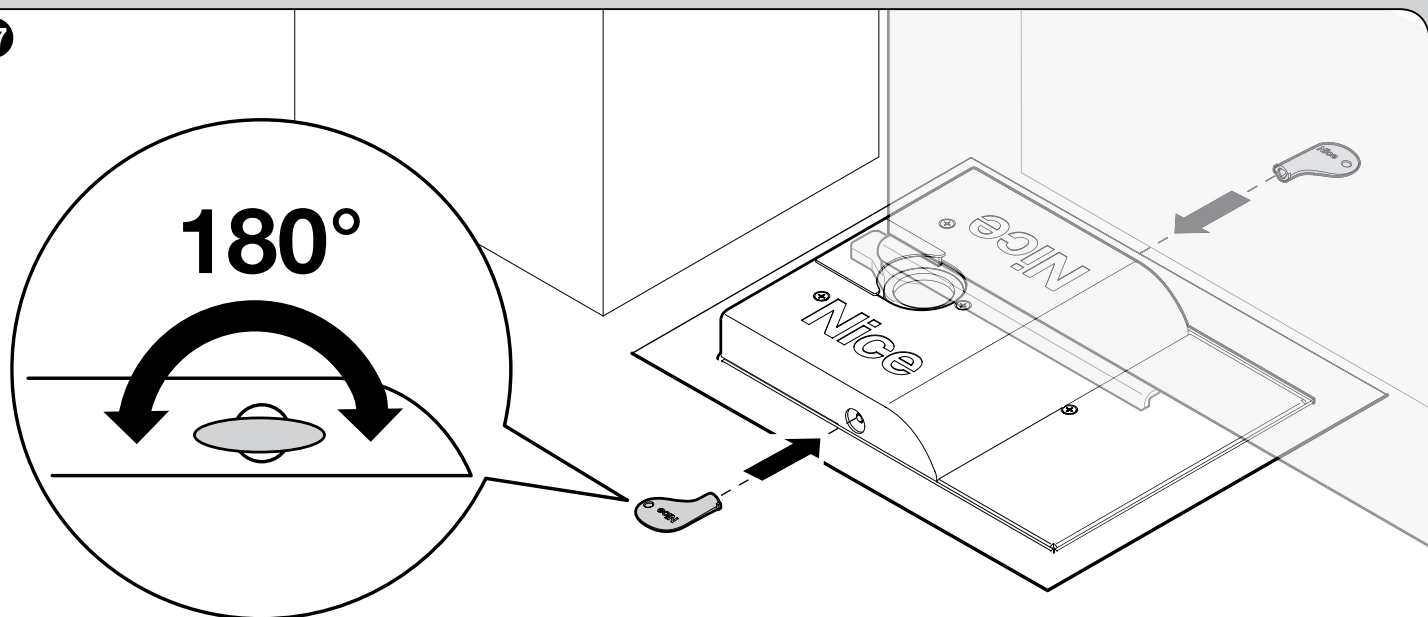
15



16



17





Nice S.p.A.
Via Pezza Alta, 13
31046 Oderzo TV Italy
info@niceforyou.com

www.niceforyou.com