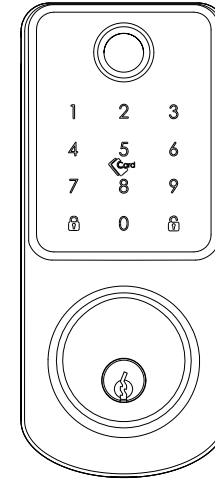


User Manual-Smart Digital Lock

TUYA Wi-Fi VERSION



Scan the QR code below to download the APP.



Search Google Play or APPLE Store with Tuyasmart



Fingerprint



IC Card



Passcode



Key



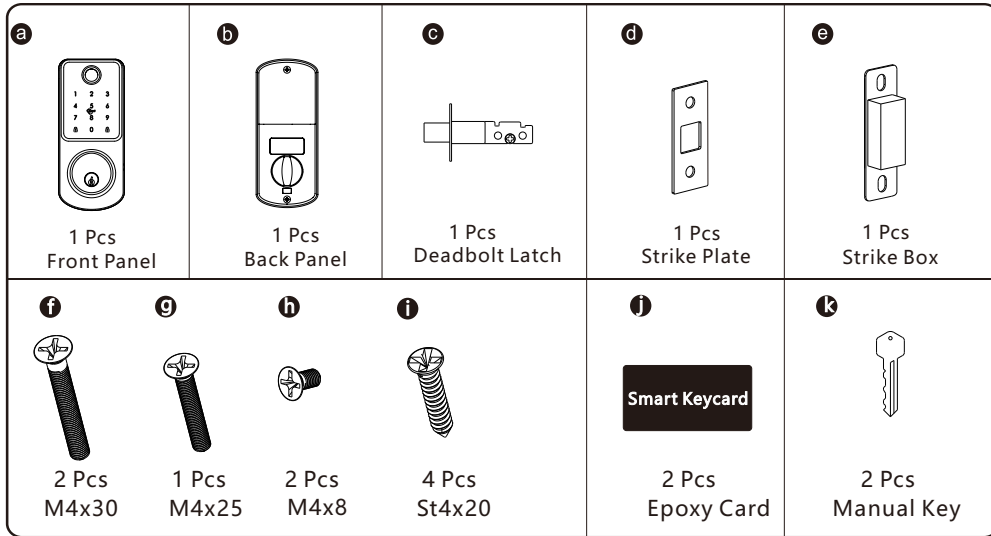
APP

Smart your life!

Version 2.0 A220F-Edition 2022

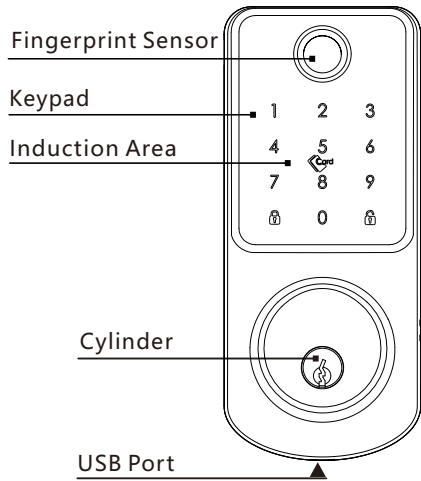
1 PACKING ACCESSORIES

Please check the packing box and accessories when you got the lock in hand.

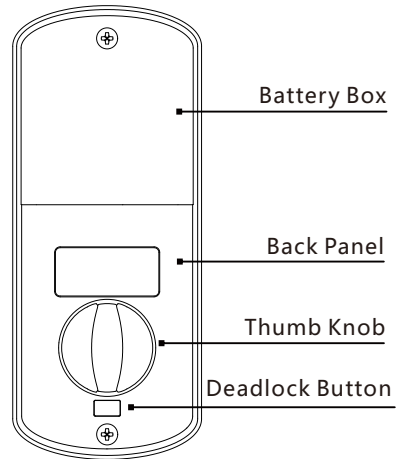


2 PRODUCT SPECIFICATION

Front Panel



Back Panel



TO OPEN AND CLOSE

Enter the valid passcode with "🔒" or touch the IC card to open the door.
Long press the button "🔒" to close the door when the keypad is not activated.

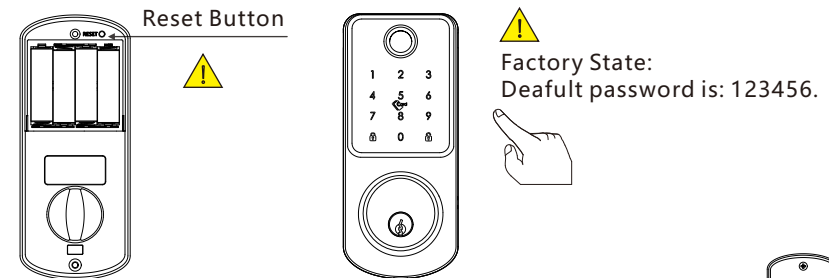
3 SYSTEM INTRODUCTION

Material	Aluminum Alloy,ABS,Acrylic
Available Color	Black and Satin Nickel
Door Thickness	35-55mm
Communication	WiFi
Support OS	iOS 7.0 or above, Android 4.4 or above
Battery Life	7000 times normal unlock(10-12 months)
Power Supply	DC6V:4pcs AA alkaline batteries
Static Current	≤50uA
Dynamic Current	<200mA
Unlock Way	Fingerprint,IC Card,passcode,APP,manual key
Unlock Time	1~1.5 seconds
Working Temperature	-20~50 degree
Working Humidity	10%~95%
Factory Passcode	123456,after setting,factory passcode will be invalid
Available Mortise	60/70 adjustable deadbolt mortise
Virtual Password	Available
User Capacity	Card+password+Fingerprint:300 groups, 9 groups administrators.

4 RESET TO FACTORY STATE

⚠ Attention

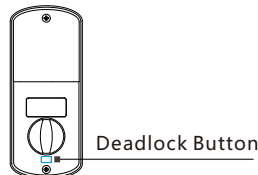
There is one Reset button on the back of rear panel.
You can press this button for 5 seconds with sound tip "Initialize successfully", then the lock is under factory state, the default password is: 123456.



DEAD LOCK FUNCTION

⚠ Attention

There is one deadlock button under the thumb Knob.
You can press this button for 1 second with sound tip "Secure lock enabled", then the lock is dead locked inside, only the admin password can access the door, other user password or card will be invalid. And you can press the button one more time with sound tip "Secure lock disabled" to cancel this function.




5 INFORMATION AND SAFETY WARNINGS:

5.1 Introduction

This user manual will guide you through the functions and usages of our A220 smart lock. It is important that you follow the instructions and regard all notes that appear throughout this manual. Consult this manual before you attempt to use this lock. If you have any questions that not answered by this manual or on need of non-routine service, please call our customer service hotline or send FAQ to us.

5.2 Safety Warnings:

 When reading this manual, note these icons: notes with the icon Must be read, understood and obeyed to prevent injury or damage to the lock.

General Usage

- This lock shall only be used as described in this manual. Verify that all parts of the lock are accounted for. If any parts are missing, please contact our service person.
- There is protective film on the front touch panel, if there are some scratches on the film, please remove the film if you need.
- Please use 4pcs AA batteries. Do not mix old and new batteries or other Zn/Mn batteries. Never insert objects into the lock other than batteries as described in this manual.
- Never apply any cleaner directly to any part of this lock. Only use clean water or mild cleaner on a soft non-abrasive cloth when cleaning.
- The lock must be used with Tuyasmart APP. The lock will function without the APP but full functionality may only be achieved when the APP is on use.

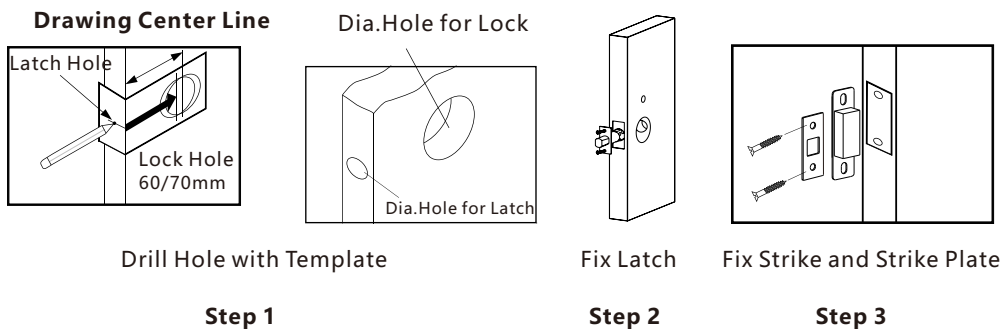
5.3 SALES AND SERVICE TERMS

- Please read the manual carefully before use!
- This A220 product comes with a 1-year Limited Warranty on Electronic Parts and a Limited lifetime. Mechanical and Finish Warranty against defects in materials and workmanship under normal use to the original residential user. Proof of purchase and ownership is required for the warranty to be in effect.
- Any error or question for manual or sales term, please feel free to contact with us.
- For any wrong operation or installation, we do not responsible for the duty.
- For the damage caused by anthropic factor or inevitable reason, we do not pay for the loss or maintain for free, please check our after sale service terms.
- Please do not take apart the lock if you are not technician, if necessary, please make the operations under the guide of technician.
- Notice: there maybe a little difference for product pictures with real product, please subject to our real products.
- After changing the battery, please do not throw away the battery, kindly refund to recycle bin in case of pollution!

6 PREPARING TO INSTALL

6.1 Line Drawing

Draw a horizontal center line inside and outside the door at 1 meter from the ground. Fold the hole template, make the handle center line align at the door horizontal center line, then draw out the hole lines at front and side.



6.2 Adjust Direction

1. Adjust to Left from Right Direction

Refer A: Zoom in

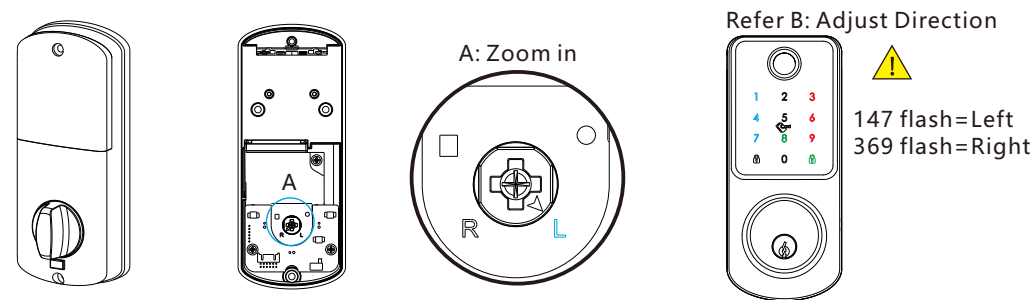
1.1 Turn the clutch on the back panel and make the arrow point to the "L".

Refer B: Adjust left/right for unlock direction (Under Factory State)

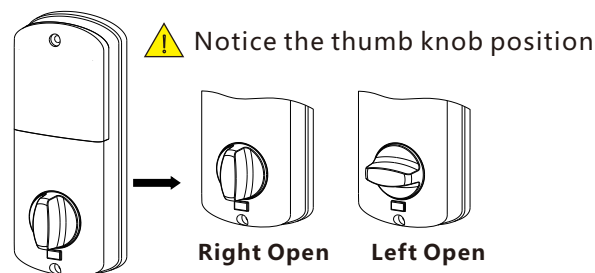
1.2 Press **888** +  on the keypad to change the Left or right direction:

When the 147 number flash, it is for left direction door.

When the 369 number flash, it is for right direction door.



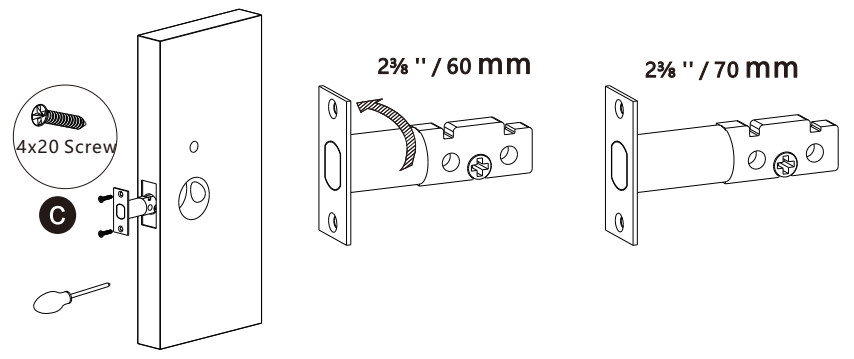
2. Notice the thumb knob position for Left/Right direction



7 INSTALLATION STEPS

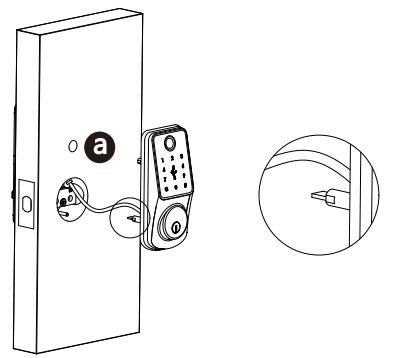
7.1 Assemble the Latch Bolt

Assemble the latch bolt(c) into the slot which is drilled according to the template. Remember to turn the faceplate and pull to extend the deadbolt to right position.



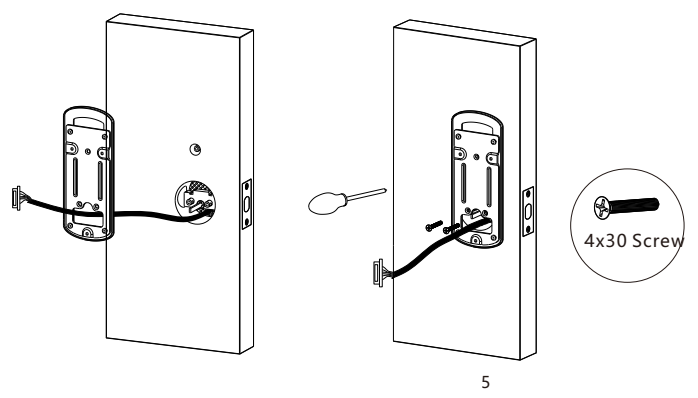
7.2 Assemble the Front Panel

Fix the front panel(a) on the door and cross the cable through the hole. Make sure the cylinder ring shall be horizontal position.



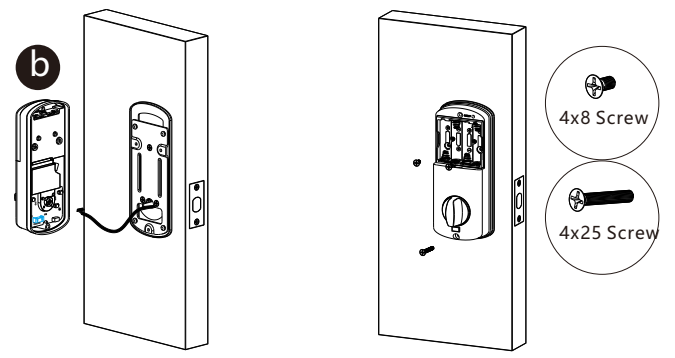
7.3 Assemble Gasket

Cross the cable through the mounting plate, and fix the gasket with the front panel.



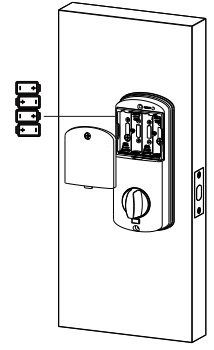
7.4 Assemble the Back Panel

Connect the cable with the connector on the PCB board. Fix the back panel with the screw as the photo.



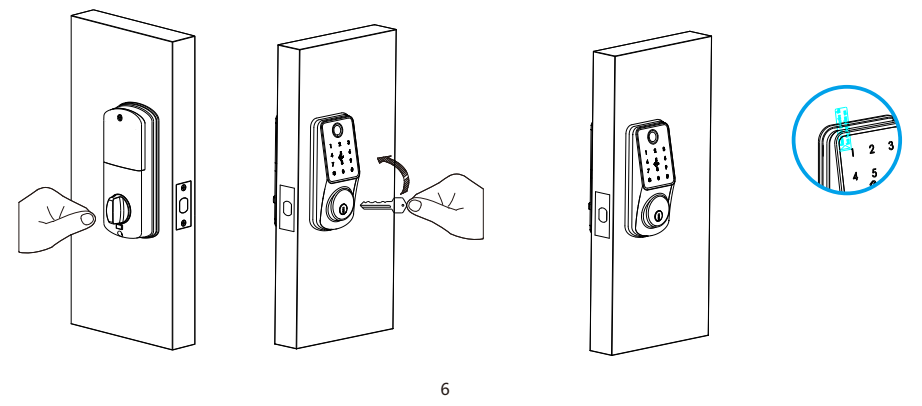
7.5 Assemble the Battery

Put 4pcs AA alkaline batteries into the battery box, notice the polarity(+/-) and test with factory passcode or APP .



7.6 Adjust the Lock Panel

After finishing installation, please turn the thumb knob and adjust the tightness. Try the manual key to unlock the door and tight the screws accordingly. Also remember to remove the protection film for daily use.

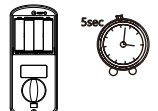


OPERATION STEPS

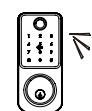
Please enroll the new master password/fingerprint before you start to use this lock. you can follow the operation steps as below:
(Important to use for tuya function)

1.Initialization

1 Press the reset button and hold 5 seconds

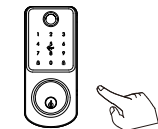


2 Initialization Successful

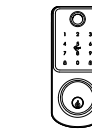


2.Enroll Master Password

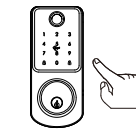
1 Press + button



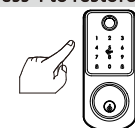
2 Please enter administrator fingerprint, tag or password



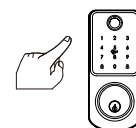
3 Enter default Master password:123456+




4 Press 1 to set administrators
Press 2 to set regular user
Press 3 for system settings
Press 4 to restore factory setting



5 Press 1 to add administrators
Press 2 to delete administrators
Press 3 network settings




6 Please enter administrator fingerprint, tag or password




Enter 4-8 digits new password,press to confirm

7 Please enter administrator fingerprint, tag or password



Enter same password
Press to confirm

8 00x,input successful!
Please enter administrator fingerprint, tag or password




You can continue the operation to add master password

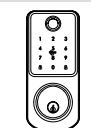
- Notice: the administrator can be password,IC card or fingerprint,you can set according to your own requirement, total 9 administrators.
- Notice: Press key to confirm, press to back to previous step, lock will exit the setting if there is no operation during 10 seconds.
- Notice: After 5 times wrong unlock, the keypad will be locked for 60 seconds, there is no reaction for any operation during these time.

3.Delete Master Password

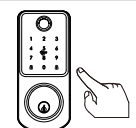
1 Press + button



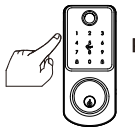
2 Please enter administrator fingerprint, tag or password



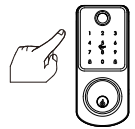
3 Enter Master password, press to confirm




4 Press 1 to set administrators
Press 2 to set regular users
Press 3 for system settings
Press 4 to restore factory setting



5 Press 1 to add administrators
Press 2 to delete administrators
Press 3 network settings



6 Press 1 to delete user No.
Press 2 to delete all



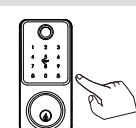
Enter serial No. like 001-009,
press to confirm

7 Operation Successful!

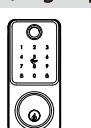
You can continue the operation to delete master password

4.Enroll User Password

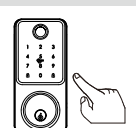
1 Press + button




2 Please enter administrator fingerprint, tag or password



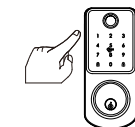
3 Enter Master password, press to confirm



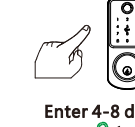
4 Press 1 to set administrators
Press 2 to set regular users
Press 3 for system settings
Press 4 to restore factory setting



5 Press 1 to add users
Press 2 to delete users



6 Please enter fingerprint, tag or password




Enter 4-8 digits password,
press to confirm

7 Please enter again

Enter same password
Confirm with

8 01x,input successful!
Please enter fingerprint, tag or password



You can continue the operation to issue user password

5.Delete User Password

- 1 Press + button
- 2 Please enter administrator fingerprint, tag or password
- 3 Enter Master password, press to confirm
- 4 Press 1 to set administrators
Press 2 to set regular users
Press 3 for system settings
Press 4 to restore factory setting
- 5 Press 1 to add regular users
Press 2 to delete regular users
- 6 Press 1 to delete user No.
Press 2 to delete all
Enter serial no. like 011, press to confirm
- 7 Operation Successful!
You can continue the operation to delete user password

6.Enroll User Card

- 1 Press + button
- 2 Please enter administrator fingerprint, tag or password
- 3 Enter Master password, press to confirm
- 4 Press 1 to set administrators
Press 2 to set regular users
Press 3 for system settings
Press 4 to restore factory setting
- 5 Press 1 to add regular users
Press 2 to delete regular users
- 6 Please enter fingerprint, tag or password
Touch one IC card to the induction area
- 7 01x,Input successful!
Please enter fingerprint, tag or password
You can continue the operation to add user cards.

7.Delete User Card

- 1 Press + button
- 2 Please enter administrator fingerprint, tag or password
- 3 Enter Master password, press to confirm
- 4 Press 1 to set administrators
Press 2 to set regular users
Press 3 for system settings
Press 4 to restore factory setting
- 5 Press 1 to add regular users
Press 2 to delete regular users
- 6 Press 1 to delete user No.
Press 2 to delete all
Enter serial no. like 012, press to confirm
- 7 Operation Successful!
You can continue the operation to delete user card

8.Enroll User Fingerprint

- 1 Press + button
- 2 Please enter administrator fingerprint, tag or password
- 3 Enter Master password, press to confirm
- 4 Press 1 to set administrators
Press 2 to set regular users
Press 3 for system settings
Press 4 to restore factory setting
- 5 Press 1 to add regular users
Press 2 to delete regular users
- 6 Please enter fingerprint, tag or password
- 7 Press fingerprint 4 times
- 8 01x,Input successful!
Please enter fingerprint, tag or password
You can continue the operation to issue user fingerprint

9.Delete User Fingerprint

- 1 Press + button
- 2 Please enter administrator fingerprint, tag or password
- 3 Enter Master password, press to confirm
- 4 Press 1 to set administrators
Press 2 to set regular users
Press 3 for system settings
Press 4 to restore factory setting
Press 2
- 5 Press 1 to add regular users
Press 2 to delete regular users
Press 2
- 6 Press 1 to delete user No.
Press 2 to delete all
Press 1
Enter serial no. like 013,
press to confirm
- 7 Operation Successful!
You can continue the operation to delete user fingerprint

10.System Setting

- 1 Press + button
- 2 Please enter administrator fingerprint, tag or password
- 3 Enter Master password, press to confirm
- 4 Press 1 to set administrators
Press 2 to set regular users
Press 3 for system settings
Press 4 to restore factory setting
Press 3
- 5 Press 1 for voice setting
Press 2 for unlock mode
Press 3 to select language
Press 4 to set time
Press 5 for auto locking setting
For sample: Press 5
- 6 Press 1 for 5 seconds
Press 2 for 10 seconds
Press 3 for 15 seconds
Press 4 to disable auto locking

You can make the settings following the sound tip for the unlock type/Language/ Lock time etc, these functions are designed for some special conditions.

11.Reset Setting

- 1 Press + button
- 2 Please enter administrator fingerprint, tag or password
- 3 Enter Master password, press to confirm
- 4 Press 1 to set administrators
Press 2 to set regular users
Press 3 for system settings
Press 4 to restore factory setting
Press 4
- 5 Please enter administrator fingerprint, tag or password
- 6 Initialization successful
Exit the setting

12.Network Setting

- 1 Press + button
- 2 Please enter administrator fingerprint, tag or password
- 3 Enter Master password, press to confirm
- 4 Press 1 to set administrators
Press 2 to set regular setting
Press 3 for system settings
Press 4 to restore factory setting
- 5 Press 1 to add administrators
Press 2 to delete administrators
Press 3 network settings
Press 3
- 6 Press 1 for AP mode paring
Press 2 for standard paring

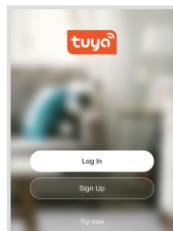
⚠ Attention

Notice: Above are the standard operation for the lock with password and keycard function. if you need to use the remote unlock function, you shall use the Tuya smart app to connect the device and make the settings accordingly. Before using the tuya function, there is a must to issue master password first but not under default password: **123456**.

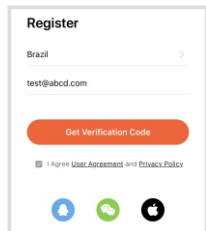
12.1 Please download the Tuyasmart or Smart life on Apple store or Google play. also you can scan the QR code below to download the APP directly.



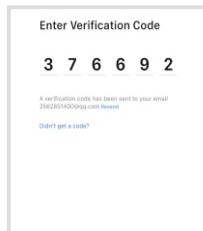
12.2 Please register one account with your E-mail or mobile number.



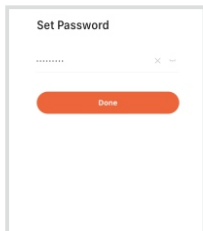
12.2.1 Sign Up



12.2.2 Enter mobile or mail
Get Verification Code

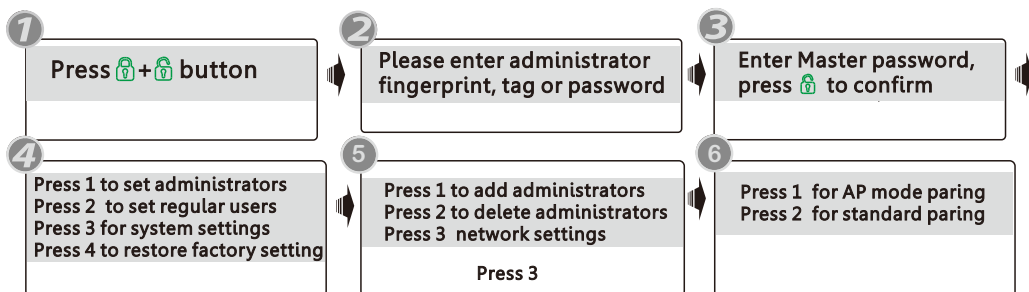


12.2.3 Enter the code sent
to your mail or mobile



12.2.4 Set password
and login

12.3 Network Setting



Notice: There are two type of connections under the manual: AP mode pairing and standard pairing or BLE connection(dual module).

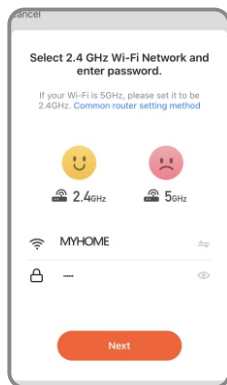
12.4 Standard Pairing(EZ mode)

Please run the Tuya smart APP and choose the WiFi lock under the “Security&Sensors”. please ensure the privacy button is under unlock state, if it is under lock state, you can not configure the Wi-Fi connection.



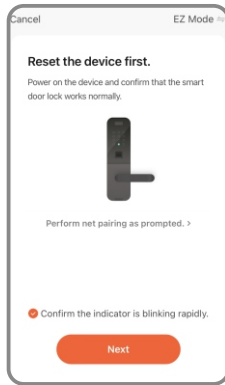
Step 1

Choose the Lock(WiFi) under the category “Security&Sensors”



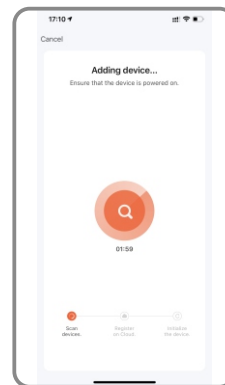
Step 2

Enter the password of the WiFi and click Next.

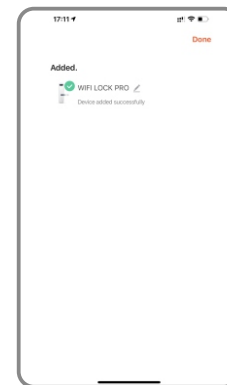


Step 3

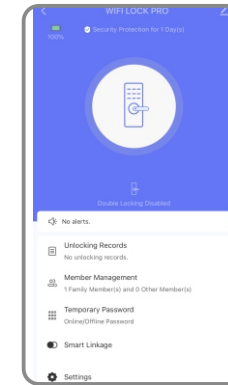
Confirm the number 5 blinking rapidly, and click Next.



Step 4
Scan the device



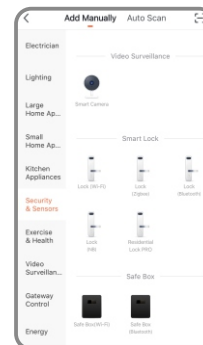
Step 5
Add device successfully



Step 6
Interface, can edit lock name

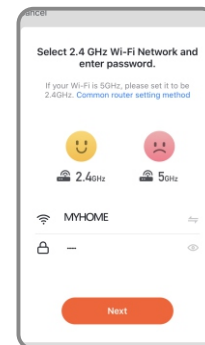
12.5 Hotspot Connection(AP mode)

Please run the Tuya smart APP and choose the WiFi lock under the “Security&Sensors”.



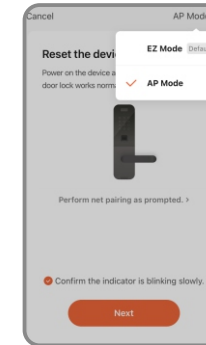
Step 1

Choose the Lock(WiFi) under the category “Security&Sensors”



Step 2

Enter the password of the WiFi of your home and click Next.



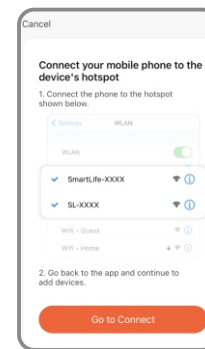
Step 3

Choose AP mode under the right top option



Step 4

Confirm the number 5 blinking rapidly, and click Next.



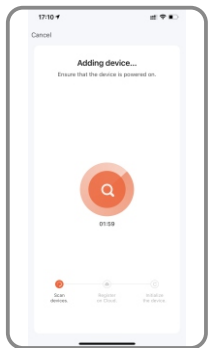
Step 5

Connect the hotspot of mobile click Go to Connect



Step 6

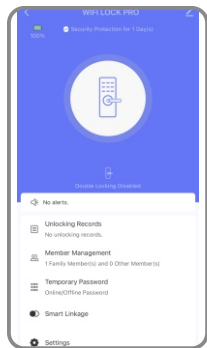
Find the SmartLife-xxx and connect



Step7
Scan the device



Step 8
Add device successfully



Step 9
Interface,can edit lock name

12.6 Quick Connection by BLE

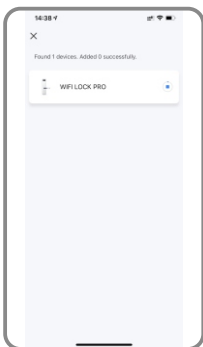
This is one extra way for connection by BLE. This operation shall be done for the lock that under AP or EZ mode state(Number 5 flashing). there is one window pop up as below:



Step 1
Pop up the window with device to add



Step 2
Enter the Wi-Fi password and click Next.



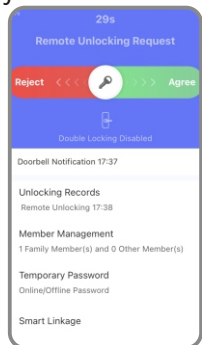
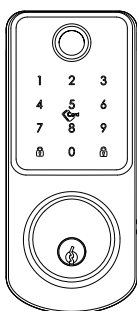
Step 3
Place mobile near the router and register lock to cloud



Step 4
Connected

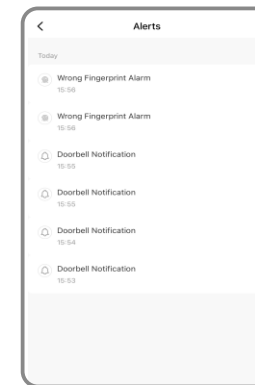
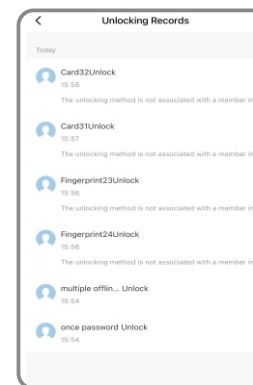
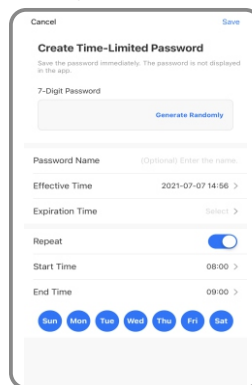
12.7 Remote Unlock Function

When the visitor press the number 9+# by sequence, there is one remote unlock request send to the administrator in the App as the photo, you can press the "Agree" to unlock the door or reject to cancel the operation.



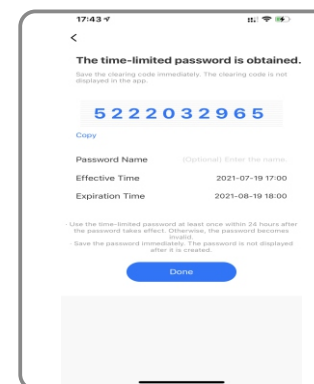
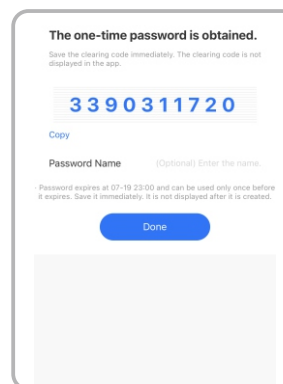
12.7 Online Password Function

When the visitor visit your office or home, you can generate the temporary password with valid time period, refer the below operation step. Also you can check the unlock record in the APP window.



12.8 Offline Password Function

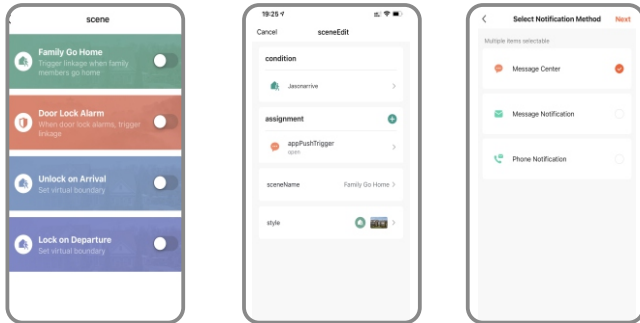
There is one-time password and time-limited password for offline type passwords.you can choose to generate the one-time password like below, it is only valid for 6 hours, and time-limited password within 24 hours before it expires, please use this password on the lock before it expires.



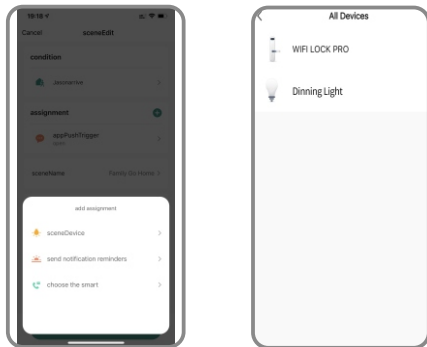
The one-time password and time-limited password for offline type password can not work when the lock is under dead lock state, only the administrator (fingerprint/password or card user)can access during this state.

12.9 Smart Linkage Function

You can choose the feature and message notification method upon the using condition such as family go home/door lock alarm/unlock on arrival etc.



There is also one smart linkage feature with your smart Tuya products. You can click the assignment and find the scene device, under this option, you can link other tuya smart devices together, for sample the LED bulb, when you press the handle to unlock the door at night time, the LED bulb light will turn on together.



Special Remark for Network Function

Please enroll the new master password or fingerprint before you start to use this lock. you can follow the operation steps with this manual, network setting can not be done under the default master password: **123456**, you shall change master password first!