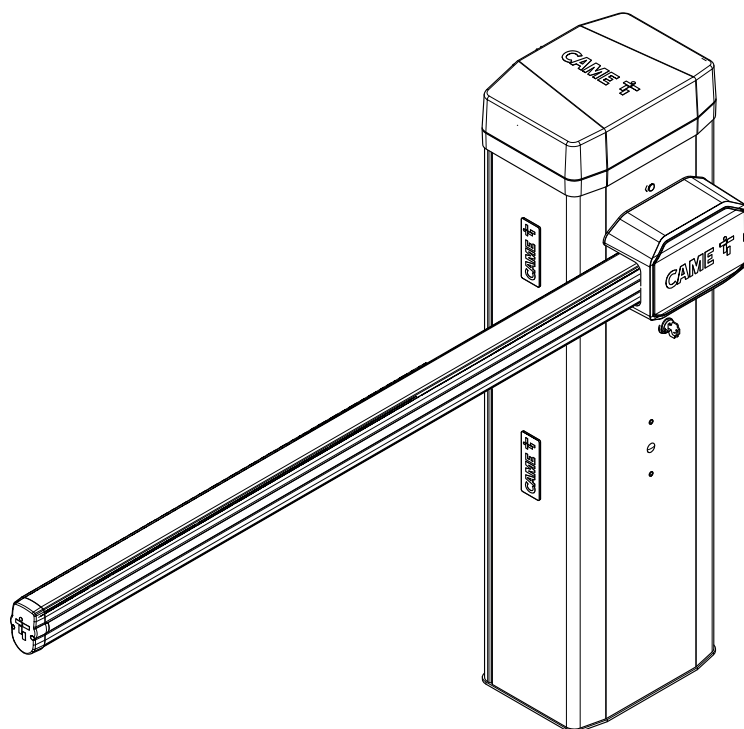




Automatic road barriers

FA01383-EN



GGT40AGS GGT40RGS GGT40RX4
GGT40AX4 GGT40AX6 GGT40ACS

INSTALLATION MANUAL

EN English



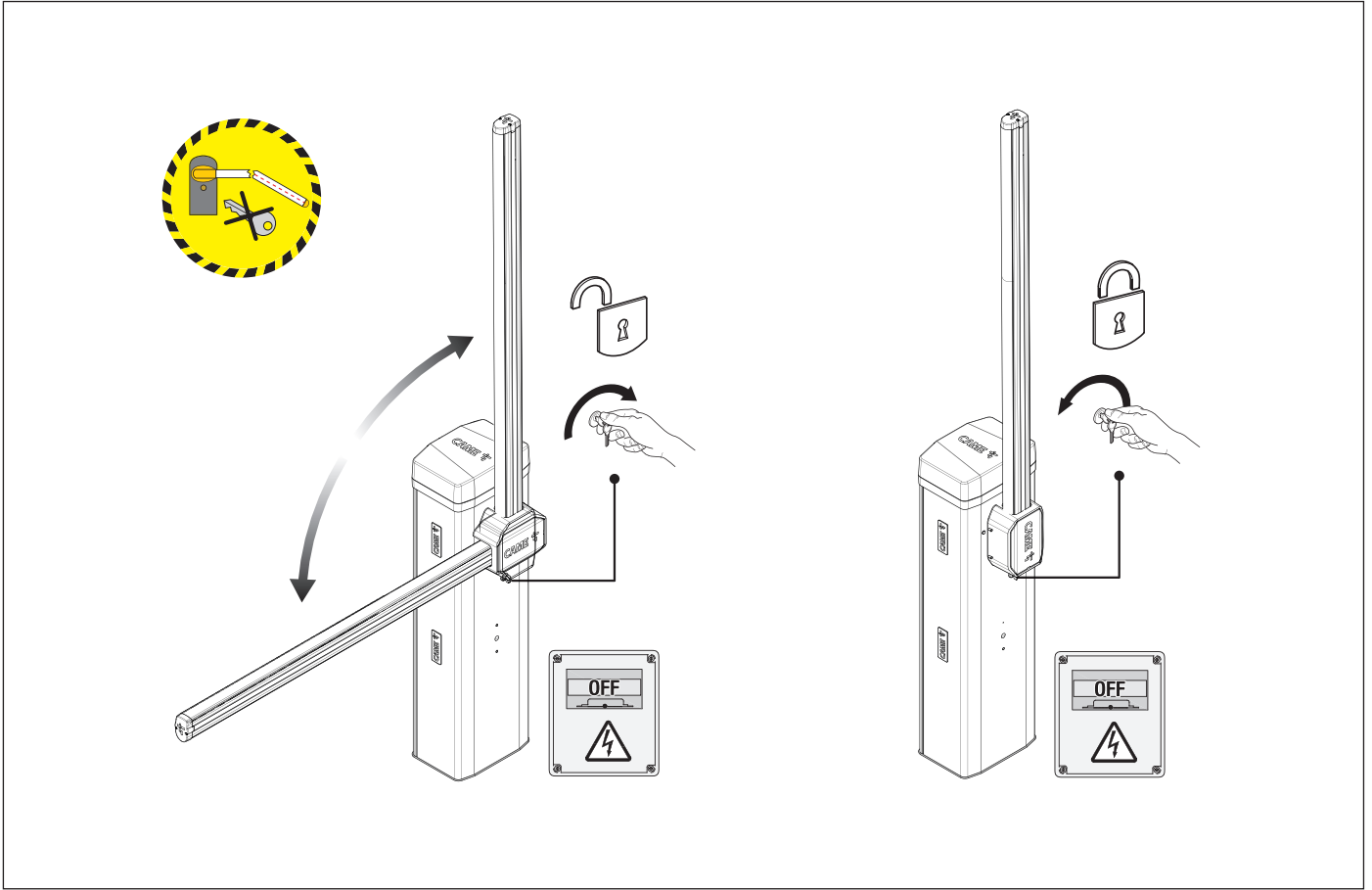
DEVICE MANUAL RELEASE

⚠ Releasing the device may be dangerous for the user, if the boom fastening has been damaged or if the boom is no longer intact, as the result of an accident or installation error.

In these cases, the tensioned springs no longer guarantee that the boom is balanced. The boom may suddenly rotate when being released.

⚠ Manual release may cause the operator to move in an uncontrolled manner due to a mechanical fault or an imbalance.

📖 With the gearmotor released, the operator does not work.



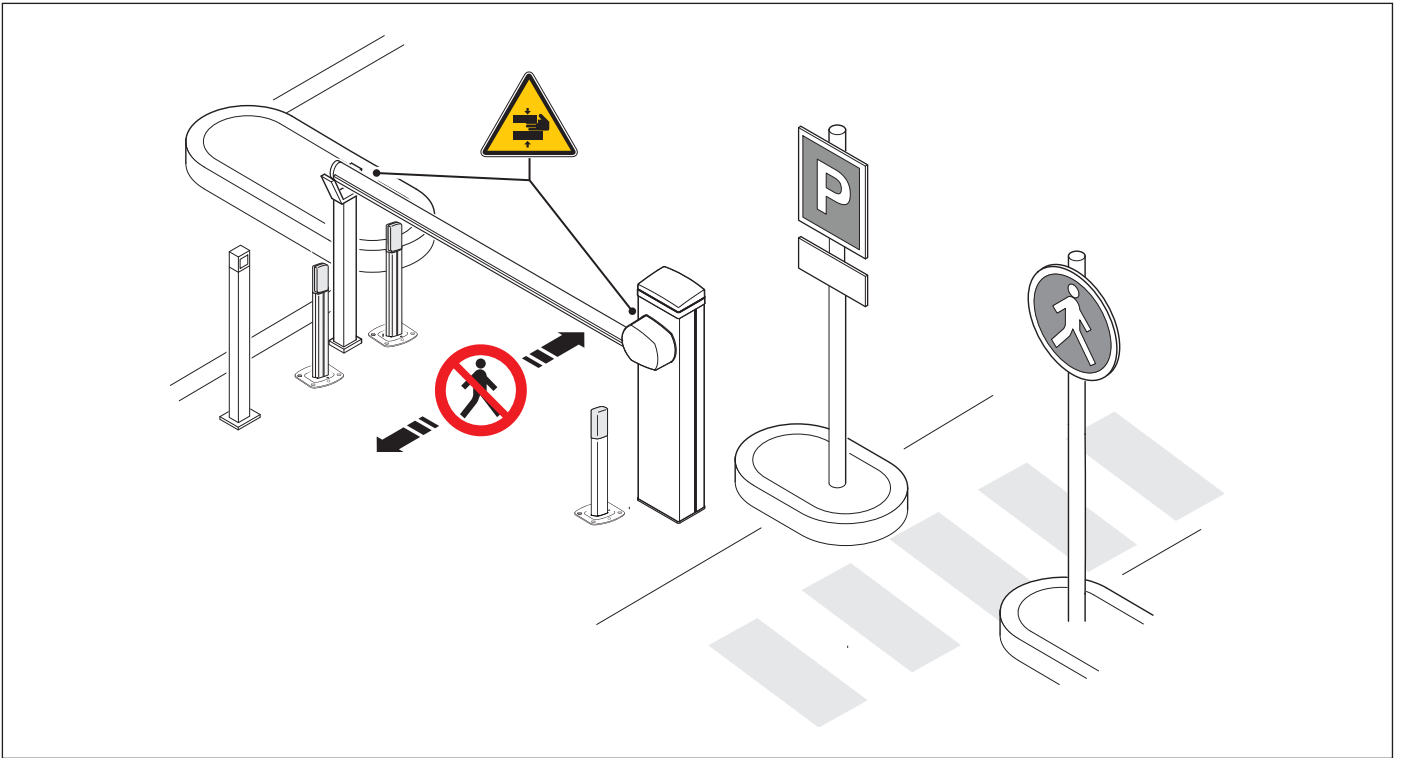
⚠ Important safety instructions.

⚠ Please follow all of these instructions. Improper installation may cause serious bodily harm.


⚠ Before continuing, please also read the general precautions for users.

Only use this product for its intended purpose. Any other use is hazardous. • The manufacturer cannot be held liable for any damage caused by improper, unreasonable or erroneous use. • This product is defined by the Machinery Directive (2006/42/EC) as partly completed machinery. • Partly completed machinery means an assembly which is almost machinery but which cannot in itself perform a specific application. • Partly completed machinery is only intended to be incorporated into or assembled with other machinery or other partly completed machinery or equipment thereby forming machinery to which the Machinery Directive (2006/42/EC) applies. • The final installation must comply with the Machinery Directive (2006/42/EC) and the European reference standards in force. • The manufacturer declines any liability for using non-original products, which would also void the warranty. • All operations indicated in this manual must be carried out exclusively by skilled and qualified personnel and in full compliance with the regulations in force. • The device must be installed, wired, connected and tested according to good professional practice, in compliance with the standards and laws in force. • Make sure the mains power supply is disconnected during all installation procedures. • Check that the temperature ranges given are suitable for the installation site. • Make sure that opening the automatic barrier does not constitute a hazard. • Do not install on slopes i.e. any surfaces that are not perfectly level. • Do not install the operator on surfaces that could yield and bend. If necessary, add suitable reinforcements to the anchoring points. • Make sure that no direct jets of water can wet the product at the installation site (sprinklers, water cleaners, etc.). • Make sure you have set up a suitable dual-pole cut-off device along the power supply that is compliant with the installation rules. It should completely cut off the power supply according to category III surcharge conditions. • Demarcate the entire site properly to prevent unauthorised personnel from entering, especially minors. • In case of manual handling, have one person for every 20 kg that needs hoisting; for non-manual handling, use proper hoisting equipment in safe conditions. • When the operator is being fixed in place, it may be unstable and overturn. Be careful and do not lean on it until it is fully fastened in place. • Use suitable protection to prevent any mechanical hazards due to persons loitering within the operating range of the operator. • The electrical cables must pass through special pipes, ducts and cable glands in order to guarantee adequate protection against mechanical damage. • Make sure that the moving mechanical parts are suitably far away from the wiring. • The electrical cables must not touch any parts that may overheat during use (such as the motor and transformer). • All fixed controls must be clearly visible after installation, in a position that allows the guided part to be directly visible, but far away from moving parts. In the case of a hold-to-run control, this must be installed at a minimum height of 1.5 m from the ground and must not be accessible to the public. • If the passage is wider than 3 m, you must use a fixed support for the boom. • If not already present, apply a permanent tag that describes how to use the manual release mechanism close to it. • Make sure that the operator has been properly adjusted and that the safety and protection devices and the manual release are working properly. • Before handing over to the final user, check that the system complies with the harmonised standards and the essential requirements of the Machinery Directive (2006/42/EC). • Any residual risks must be indicated clearly with proper signage affixed in visible areas, and explained to end users. • Put the machine's ID plate in a visible place when the installation is complete. • If the power supply cable is damaged, it must be immediately replaced by the manufacturer or by an authorised technical assistance centre, or in any case, by qualified staff, to prevent any risk. • Keep this manual inside the technical folder along with the manuals of all the other devices used for your automation system. • Make sure to hand over to the end user all the operating manuals of the products that make up the final machinery.


Main points of danger for people



 Risk of trapping hands.

 No transiting.

DISMANTLING AND DISPOSAL

 CAME S.p.A. employs an Environmental Management System at its premises. This system is certified and compliant with the UNI EN ISO 14001 standard to ensure that the environment is respected and safeguarded. Please continue safeguarding the environment. At CAME we consider it one of the fundamentals of our operating and market strategies. Simply follow these brief disposal guidelines:

DISPOSING OF THE PACKAGING

The packaging materials (cardboard, plastic, etc.) can be disposed of easily as solid urban waste, separated for recycling.

Before dismantling and disposing of the product, please always check the local laws in force.

DISPOSE OF THE PRODUCT RESPONSIBLY.

DISPOSING OF THE PRODUCT

Our products are made of various materials. Most of these materials (aluminium, plastic, iron and electrical cables) are classified as solid urban waste. They can be separated for recycling and disposed of at authorised waste treatment plants.

Other components (electronic boards, transmitter batteries, etc.) may contain pollutants.

These must be removed and disposed of by an authorised waste disposal and recycling firm.


It is always advisable to check the specific laws that apply in your area.

DISPOSE OF THE PRODUCT RESPONSIBLY.

PRODUCT DATA AND INFORMATION

Key

 This symbol shows which parts to read carefully.

 This symbol shows which parts describe safety issues.

 This symbol shows what to tell users.

 The measurements, unless otherwise stated, are in millimetres.

Description

803BB-0160

GGT40AGS - Automatic barrier with gearmotor 24 V DC with encoder; painted galvanised steel cabinet; accessories available. Balance spring included.

803BB-0200

GGT40RGS - Automatic barrier with irreversible gearmotor 24 V DC with encoder; painted galvanised steel cabinet; accessories available. Balance spring included.

803BB-0300

GGT40RX4 - Automatic barrier with irreversible gearmotor 24 V DC with encoder; satin-finish AISI 304 steel cabinet; accessories available. Balance spring included.

803BB-0240

GGT40AX4 - Automatic barrier with gearmotor 24 V DC with encoder; satin-finish AISI 304 steel cabinet; accessories available. Balance spring included.

803BB-0260


GGT40AX6 - Automatic barrier with irreversible gearmotor 24 V DC with encoder; satin-finish AISI 316 steel cabinet; accessories available. Balance spring included.

803BB-0280

GGT40ACS - Automatic barrier with gearmotor 24 V DC with encoder; custom-RAL painted galvanised steel cabinet; accessories available. Balance spring included.

Intended use

The ideal solution for access roads with heavy transit flows

 Any installation and/or use other than that specified in this manual is forbidden.

Usage limitations

MODELS	GGT40AGS	GGT40RGS	GGT40RX4	GGT40AX4	GGT40AX6	GGT40ACS
Max. net clearance width (m)	4	4	4	4	4	4

Technical data

MODELS	GGT40AGS	GGT40RGS	GGT40RX4	GGT40AX4	GGT40AX6	GGT40ACS
Power supply (V - 50/60 Hz)	230 AC	120 AC	120 AC	230 AC	230 AC	230 AC
Maximum current draw (mA)	1,1	2,2	2,2	1,1	1,1	1,1
Motor power supply (V)	24 DC	24 DC	24 DC	24 DC	24 DC	24 DC
Standby consumption (W)	7	7	7	7	7	7
Power (W)	240	240	240	240	240	240
Colour	7024	7024	-	-	-	RAL X
Operating temperature (°C)	-20 ÷ +55 (-40 with item 001PSRT01)	-20 ÷ +55 (-40 with item 001PSRT01)	-20 ÷ +55 (-40 with item 001PSRT01)	-20 ÷ +55 (-40 with item 001PSRT01)	-20 ÷ +55 (-40 with item 001PSRT01)	-20 ÷ +55 (-40 with item 001PSRT01)
Torque (Nm)	300	300	300	300	300	300
Opening time at 90° (s)	2 ÷ 6	2 ÷ 6	2 ÷ 6	2 ÷ 6	2 ÷ 6	2 ÷ 6
Cycles/hour	300	300	300	300	300	300
Cycles/day	5400	5400	5400	5400	5400	5400
Protection rating (IP)	54	54	54	54	54	54
Insulation class	I	I	I	I	I	I
Weight (kg)	56	56	56	56	56	56

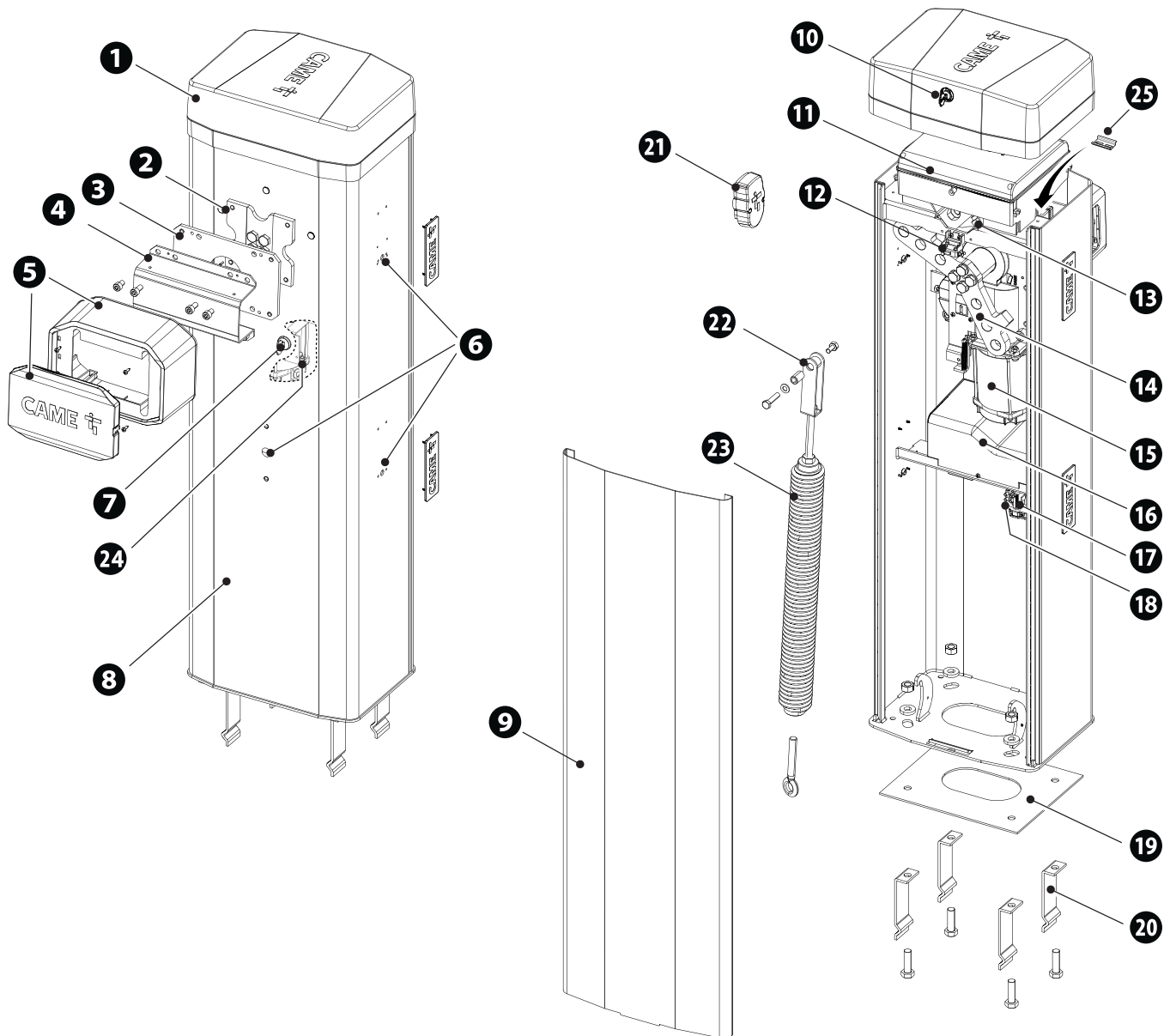
Fuse table

MODELS	GGT40AGS	GGT40RGS	GGT40RX4	GGT40AX4	GGT40AX6	GGT40ACS	GGX40AGS
Line fuse	1.6 A-F	3.15 A-F	3.15 A-F	1.6 A-F	1.6 A-F	1.6 A-F	1.6 A-F
Accessory fuse	2 A-F	2 A-F	2 A-F	2 A-F	2 A-F	2 A-F	2 A-F
Control board fuse	4 A-F	4 A-F	4 A-F	4 A-F	4 A-F	4 A-F	4 A-F
Motor fuse	10 A-F	10 A-F	10 A-F	10 A-F	10 A-F	10 A-F	10 A-F

Description of parts

Barrier

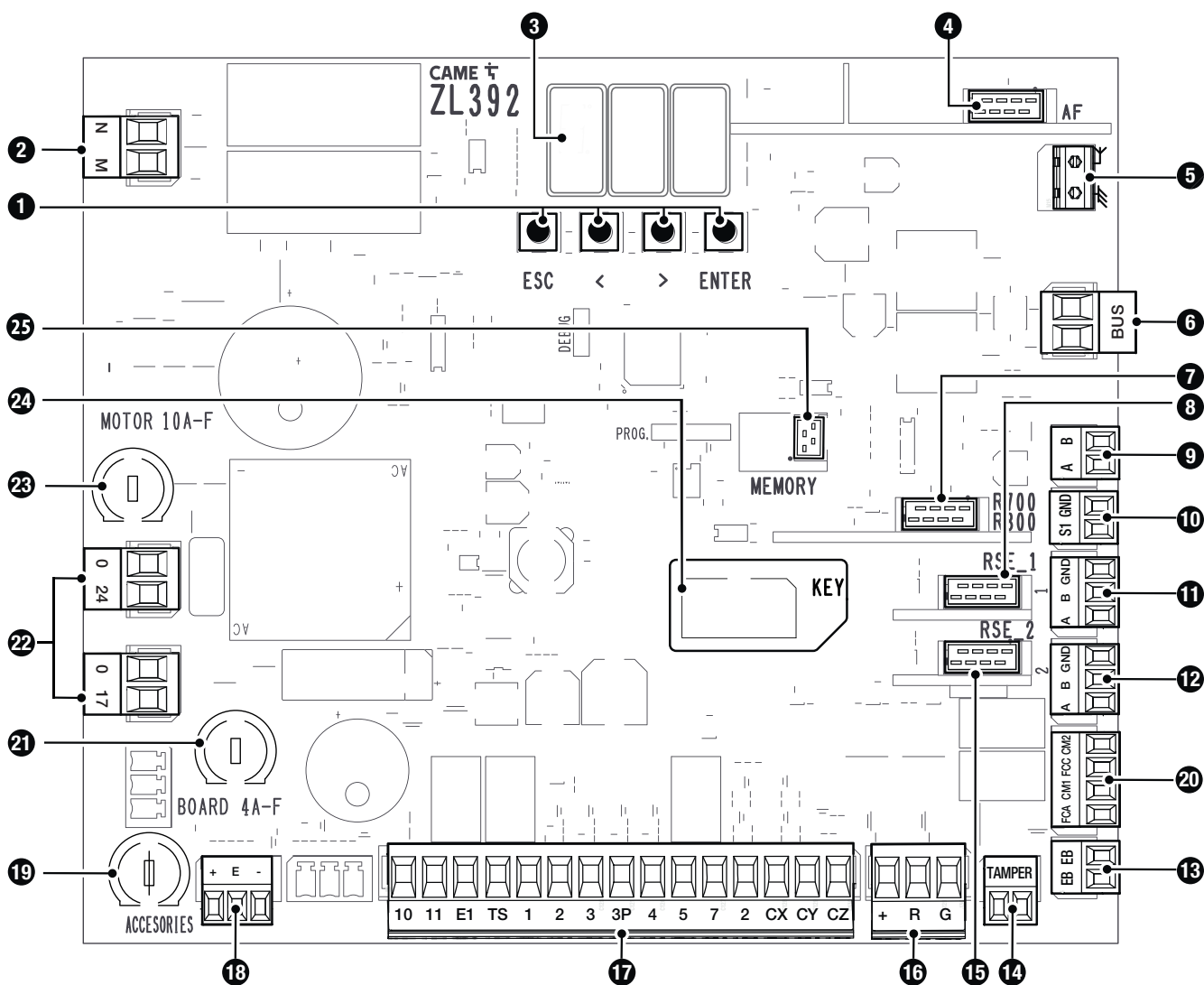
- 1 Cover
- 2 Boom anchoring plate
- 3 Intermediate plate
- 4 Fastening flange
- 5 Anti-shearing cover
- 6 DIR/DXR photocell holes
- 7 Lock for release
- 8 Cabinet
- 9 Inspection hatch
- 10 Inspection-hatch lock
- 11 Control panel
- 12 Safety microswitch with cover open
- 13 Mechanical stop for the boom adjustment
- 14 Lever arm
- 15 Gear motor with encoder
- 16 Auxiliary
- 17 Line fuse
- 18 Power supply terminal board
- 19 Anchoring plate
- 20 Anchoring bracket
- 21 Boom profile end cap
- 22 Spring anchoring pin
- 23 001G06080 - Balance spring \varnothing 55 mm.
- 24 Released gearmotor safety microswitch
- 25 DIN rail

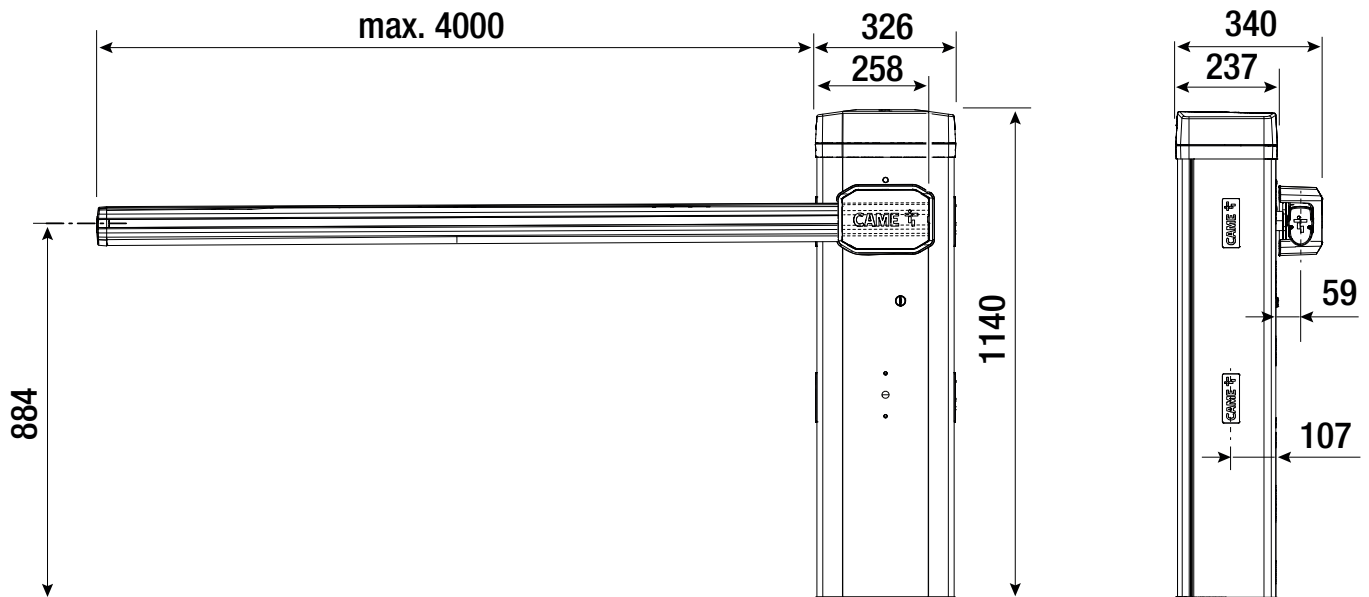


Control board

- ❶ Programming buttons
- ❷ Terminal board for motor power supply
- ❸ Display
- ❹ Connector for plug-in radio frequency card (AF)
- ❺ Terminal board for connecting the antenna
- ❻ Terminal board for BUS accessories
- ❼ Connector for the R700 or R800 decoding card
- ❽ RSE_1 connector for RSE card
- ❾ Terminal board for connecting the keypad selector
- ❿ Terminal board for connecting the transponder selector switch
- ⓫ Terminal board associated with the RSE_1 connector for paired, alternate or CRP connection
- ⓬ Terminal board associated with the RSE_2 connector for CRP connection, IO 485 card or Modbus RTU interface
- ⓭ Terminal board for connecting the electric lock
- ⓮ Terminal board for connecting the safety microswitch with cover open and gearmotor released (NC contact)
- ⓯ RSE_2 connector for RSE card
- ⓰ Terminal board for connecting the warning LED strip
- ⓱ Terminal board for connecting control and safety devices
- ⓲ Terminal board for connecting the encoder
- ⓳ Accessories fuse
- ⓴ Terminal board for barrier status*
- ⓵ Control board fuse
- ⓶ Terminal board for power supply to the control board
- ⓷ Motor fuse
- ⓸ Connector for CAME KEY
- ⓹ Memory Roll card connector

* Only for ZL392 boards, version B





Cable types and minimum thicknesses

Cable length (m)	up to 20	from 20 to 30
Power supply 230 V AC	3G x 1.5 mm ²	3G x 2.5 mm ²
Power supply 120 V AC	3G x 1.5 mm ²	3G x 2.5 mm ²
24 V AC/DC flashing beacon	2 x 1 mm ²	2 x 1 mm ²
TX Photocells	2 x 0.5 mm ²	2 x 0.5 mm ²
RX photocells	4 x 0.5 mm ²	4 x 0.5 mm ²
24 V DC electric lock	2 x 1 mm ²	2 x 1 mm ²
Command and control devices	*no. x 0.5 mm ²	*no. x 0.5 mm ²

* no. = see product assembly instructions - Warning: the cable cross-section is indicative and varies according to the motor power and cable length.

To connect the antenna, use RG58 cable (up to 5 m).

For installation in an outdoor environment, use cables with properties at least equivalent to those of type H05RN-F (with designation 60245 IEC 57).

For installation in an indoor environment, use cables with properties at least equivalent to those of type H05VV-F (designation to 60227 IEC 53).

If the cable lengths differ from those specified in the table, define the cable cross-sections according to the actual power draw of the connected devices and in line with regulation CEI EN 60204-1.

For multiple, sequential loads along the same line, recalculate the values in the table according to the actual power draw and distances. For information on connecting products not covered in this manual, please see the documentation accompanying the products themselves.

For paired and CRP connection, use a UTP CAT5 cable. Maximum length 1000 metres.

Single branch length (m)	max. 50 m
BUS cable	2 x 0.5 mm ²

The total length of all branches can be a maximum of 150 m.

The cable cannot be shielded.

Wind resistance


The table shows the boom wind-load resistance.

The value relates to the boom only and does not refer to any applicable accessories.

Resistance class with reference to the EN 13241 standard.


Type	Boom 3.2 m	Boom 4.2 m
Resistance class	5	4
Wind pressure [Pa]	1500	900
Maximum wind speed [km/h]	190	145

INSTALLATION

 The following illustrations are examples only. The space available for fitting the operator and accessories varies depending on the area where it is installed. It is up to the installer to find the most suitable solution.

In case of manual handling, have one person for every 20 kg that needs hoisting; for non-manual handling, use proper hoisting equipment in safe conditions. When the operator is being fixed in place, it may be unstable and overturn. Be careful and do not lean on it until it is fully fastened in place.

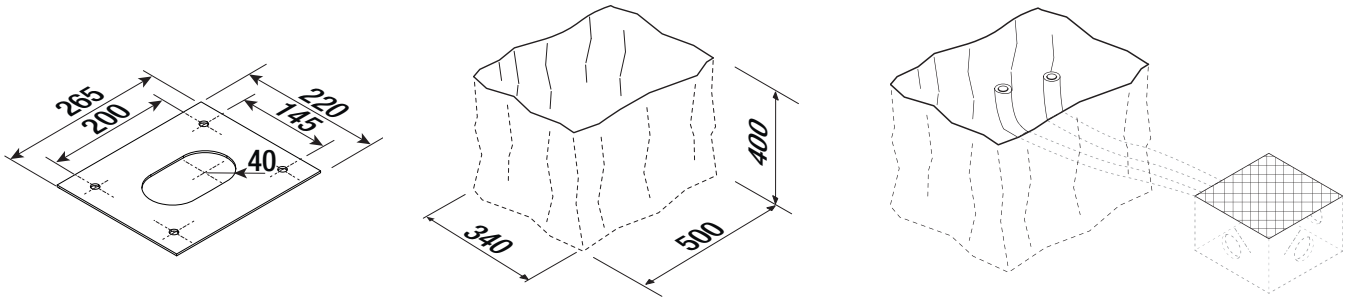
Preliminary operations

 If the flooring does not allow the device to be fastened in a solid and stable way, lay a cement slab.

Dig a hole for the foundation frame.

Set up the corrugated tubes needed for the wiring coming out of the junction pit.

 The number of tubes depends on the type of system and the accessories that are going to be fitted.

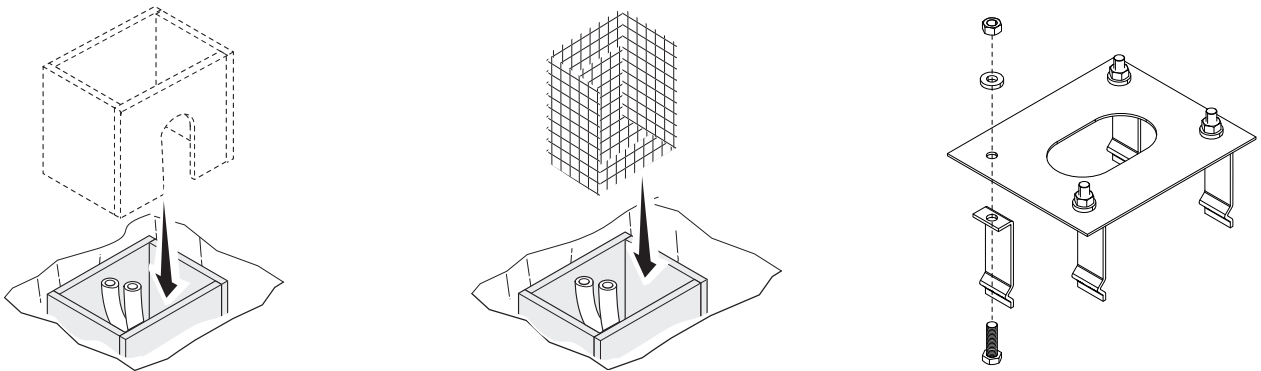


Laying the anchoring plate

Set up a foundation frame that is larger than the anchoring plate.

Fit an iron cage in the foundation frame to reinforce the concrete.

Assemble the anchoring braces to the plate.



Fit the anchoring plate in the iron cage.

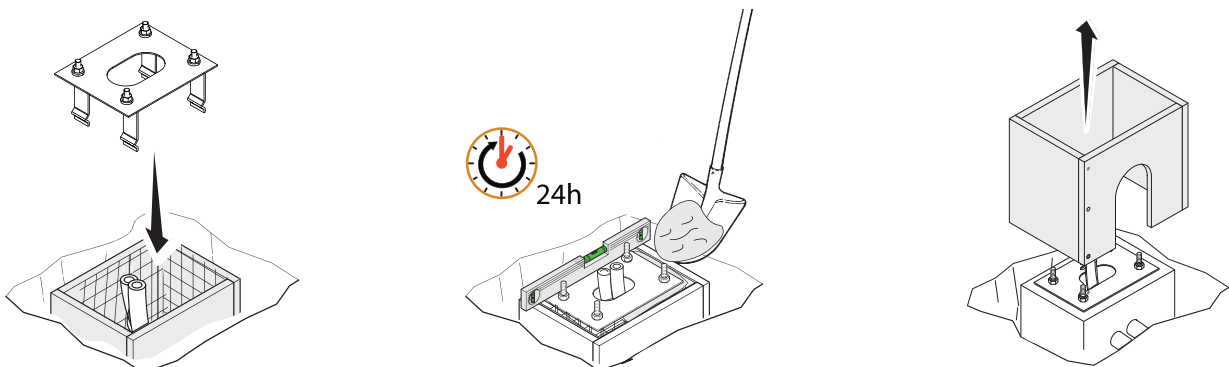
 The tubes must pass through the existing holes.

Cast cement into the foundation frame.

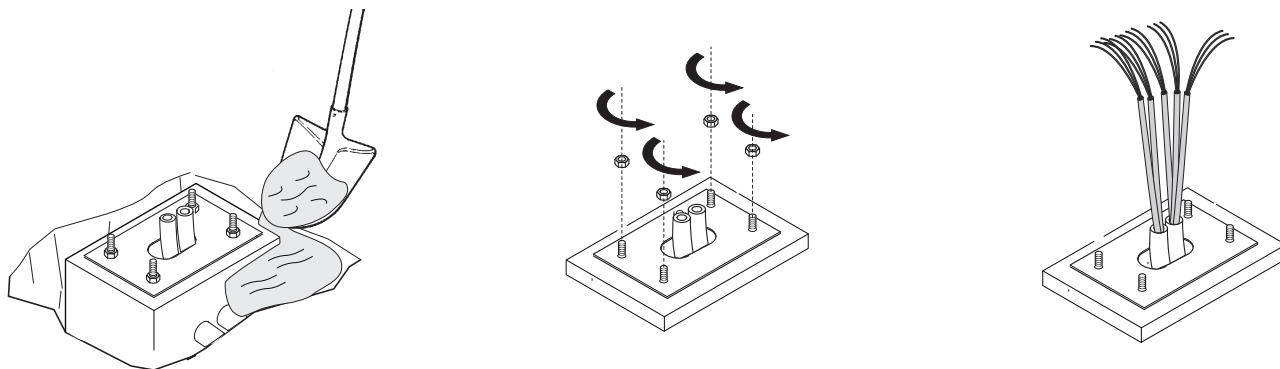
 The plate must be perfectly level and the screw threads completely above surface.

Wait at least 24 hours for the cement to dry.

Remove the foundation frame.

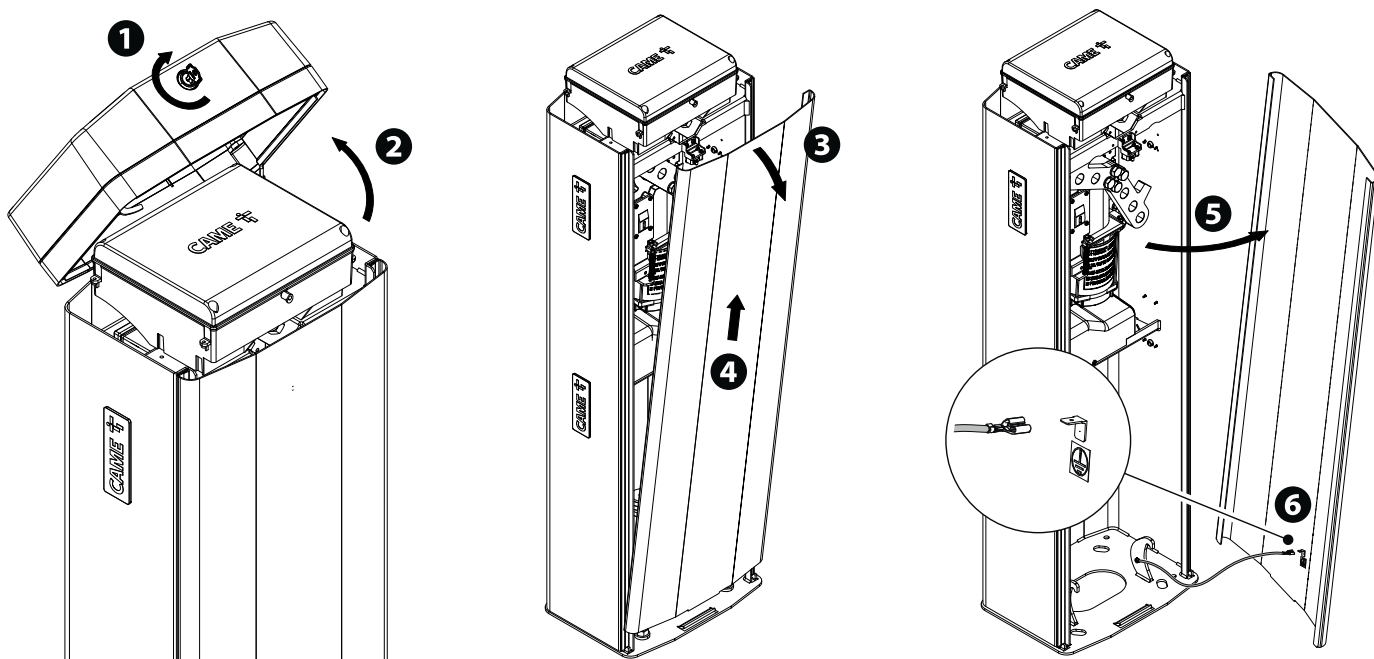


Fill the hole with soil around the concrete block.
 Remove the nuts from the screws.
 Thread the electrical cables into the tubes so that they protrude by about 1500 mm.



Preparing the barrier

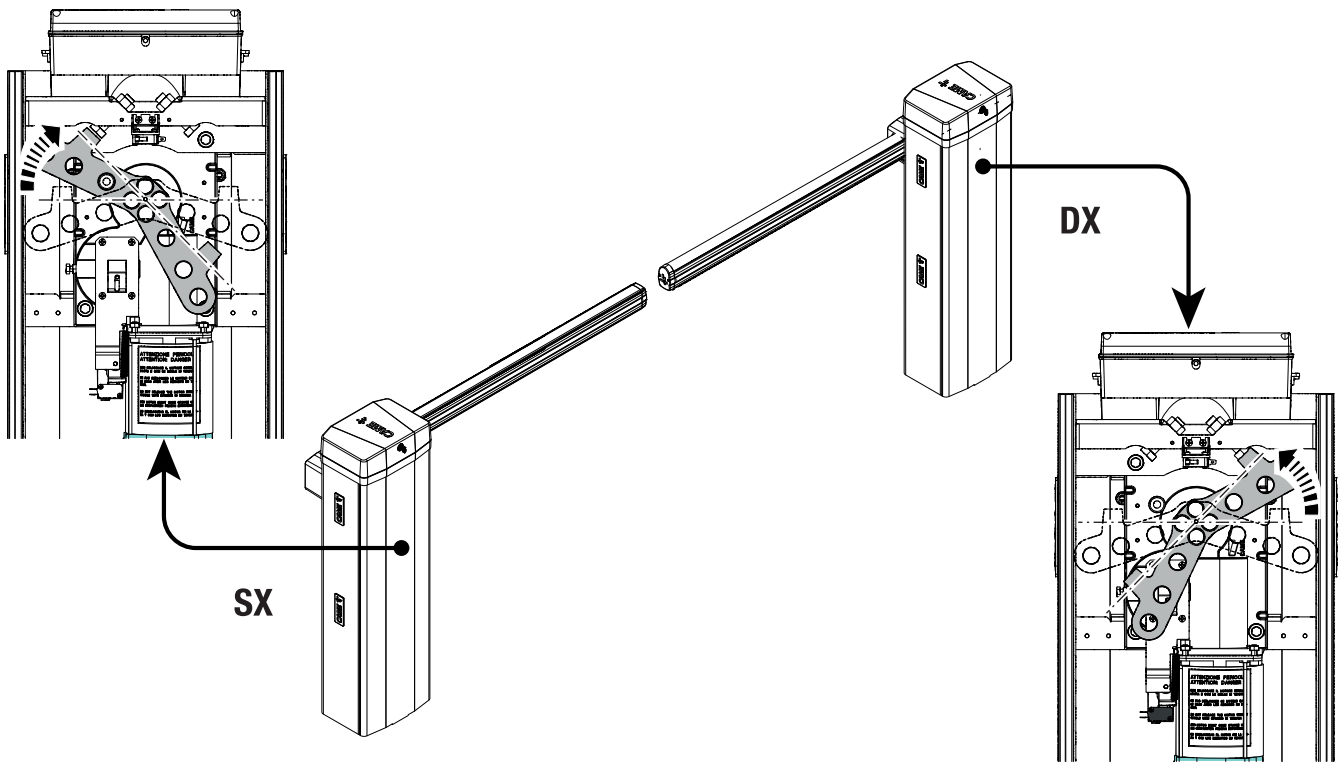
 With the inspection hatch open, the operator does not work.



Fastening the barrier



Changing the boom opening direction

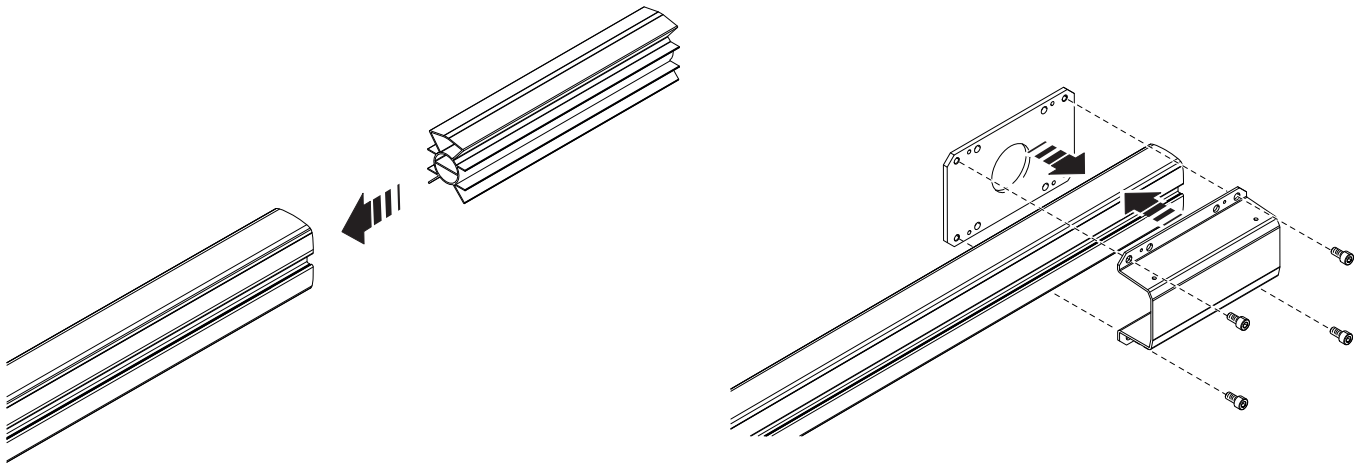


Boom installation

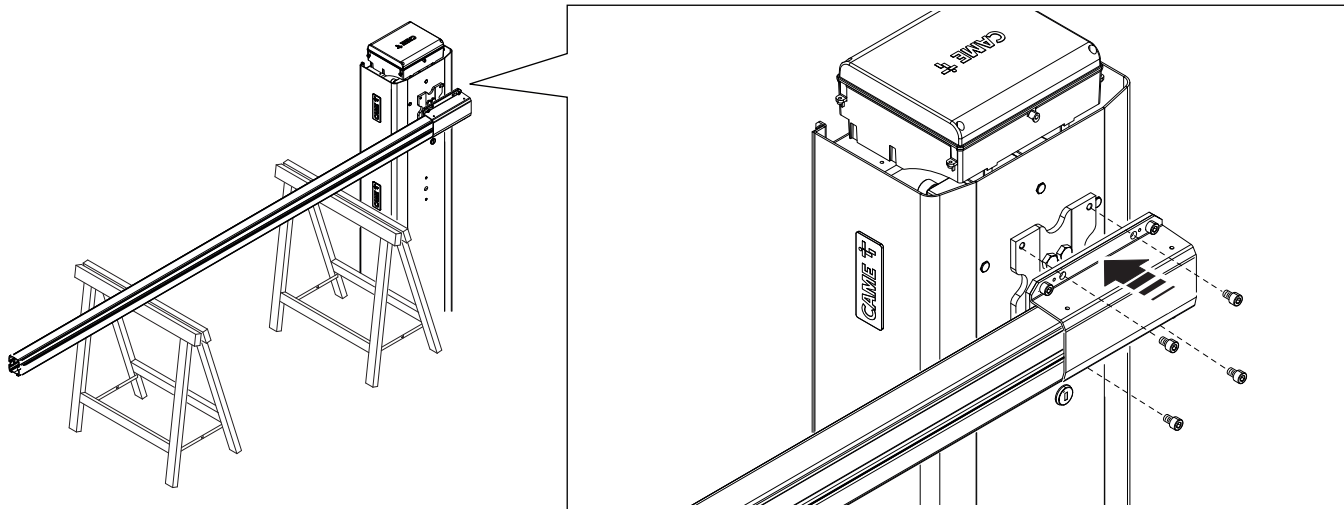
Insert the reinforcement inside the boom.

Fix the flange and the intermediate plate to the boom.

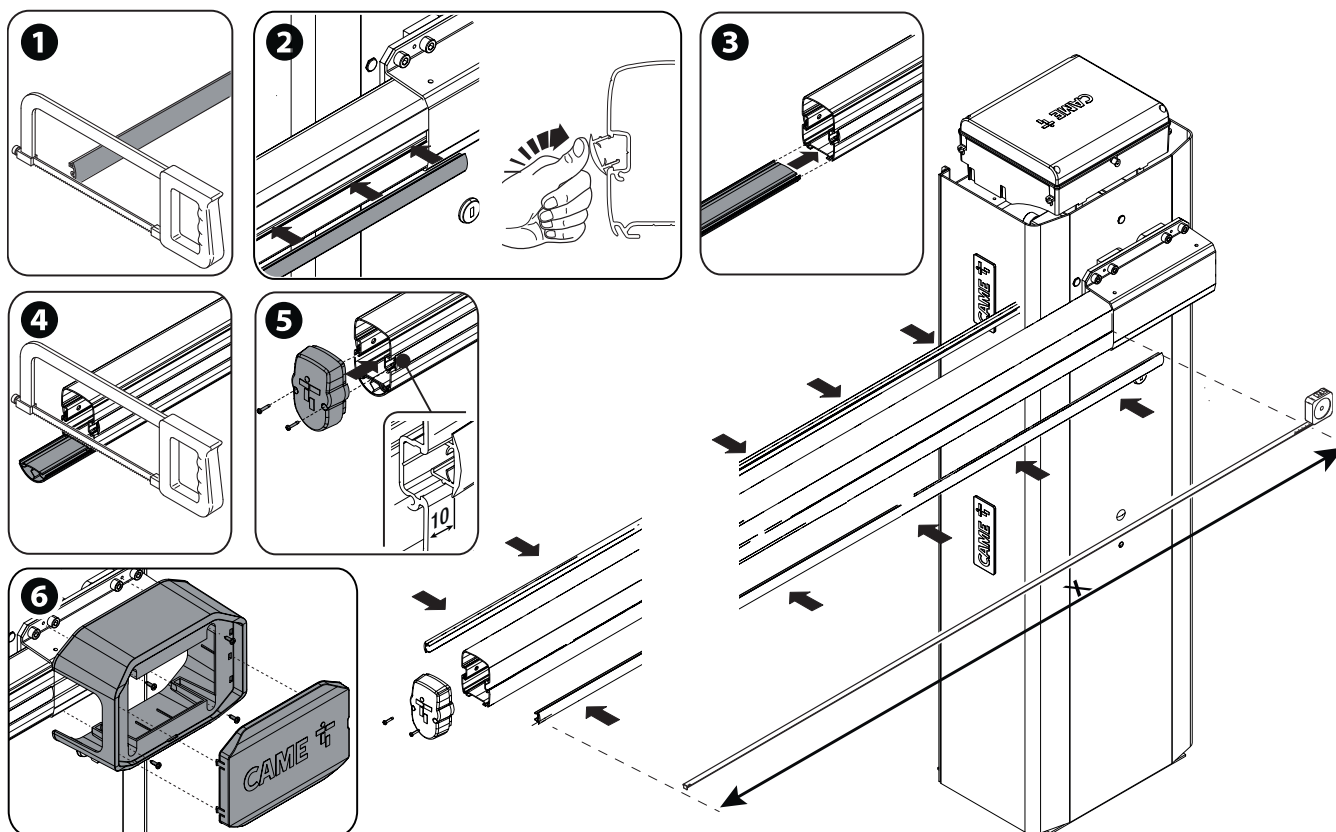
 First install the LED strip (where applicable), ONLY THEN fix the flange and the intermediate plate.



Fix the boom to the anchoring plate.



- ❶ Cut the slot-cover profiles to the same size as the boom slot minus 10 millimetres.
- ❷ Insert the slot-cover profiles into the grooves on both sides of the boom.
- ❸ Insert the anti-impact rubber profile into the groove.
- ❹ Cut off the excess part of the profile.
- ❺ Use the screws to fasten the boom end cap.
- ❻ Fit the anti-shearing protective cover onto the boom-attachment cover and fasten it using the screws supplied.




Choosing the hole for fixing the balance spring

Passage width clearance (m)	2,25 < 2,75	2,75 < 3,25	3,25 < 3,50	3,50 < 3,75	3,75 < 4,00
Boom with LED strip	1	1	1	2	2
Boom with LED strip and single skirt	1	2	2	3	3
Boom with LED strip and full-height skirt	1	2	3	3	3 *
Boom with LED strip and swing rest	-	-	2	2	3
Boom with LED strip, single skirt and swing rest	2	2	3	3 *	-
Boom with LED strip, full-height skirt and swing rest	2	3	3 *	-	-

 Simple boom means the boom complete with slot cover, cap and rubber profile.

* The boom must be stabilised at 60° during the balancing procedure.

 If the passage is wider than 3 m, you must use a support for the boom (fixed or mobile).

 With a boom over 3.5 metres, LED strip and single skirt, you must use a fixed support.

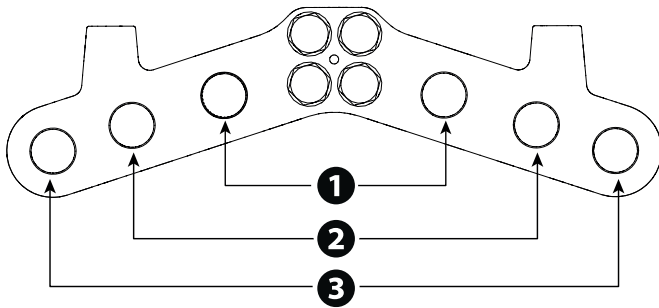
 With a boom over 3.25 metres, LED strip and full-height skirt, you must use a fixed support.

Single skirt (803XA-0340):

- max 2 modules for a 4 metre boom

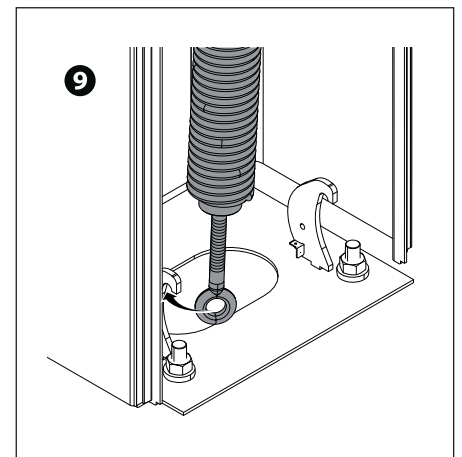
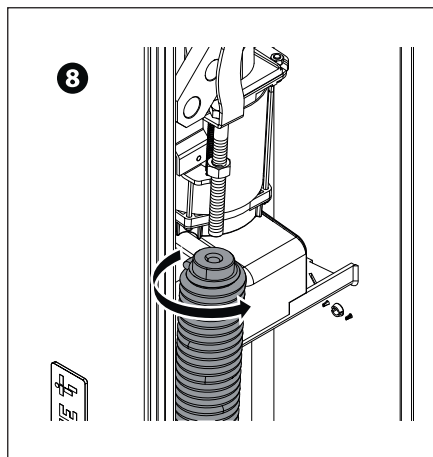
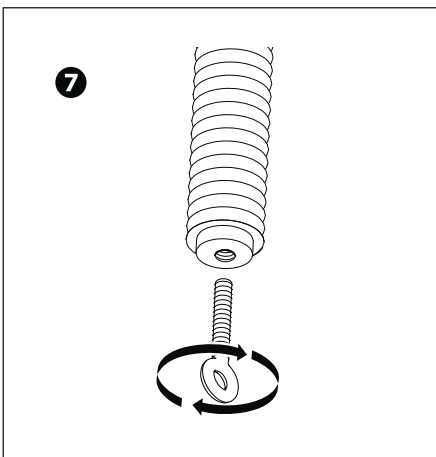
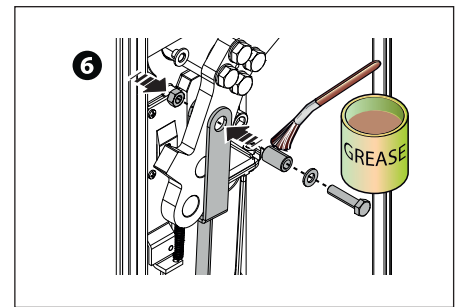
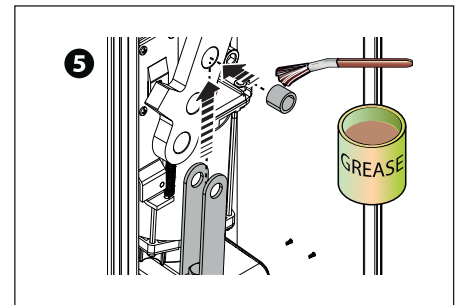
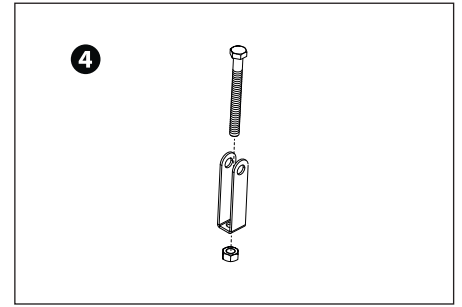
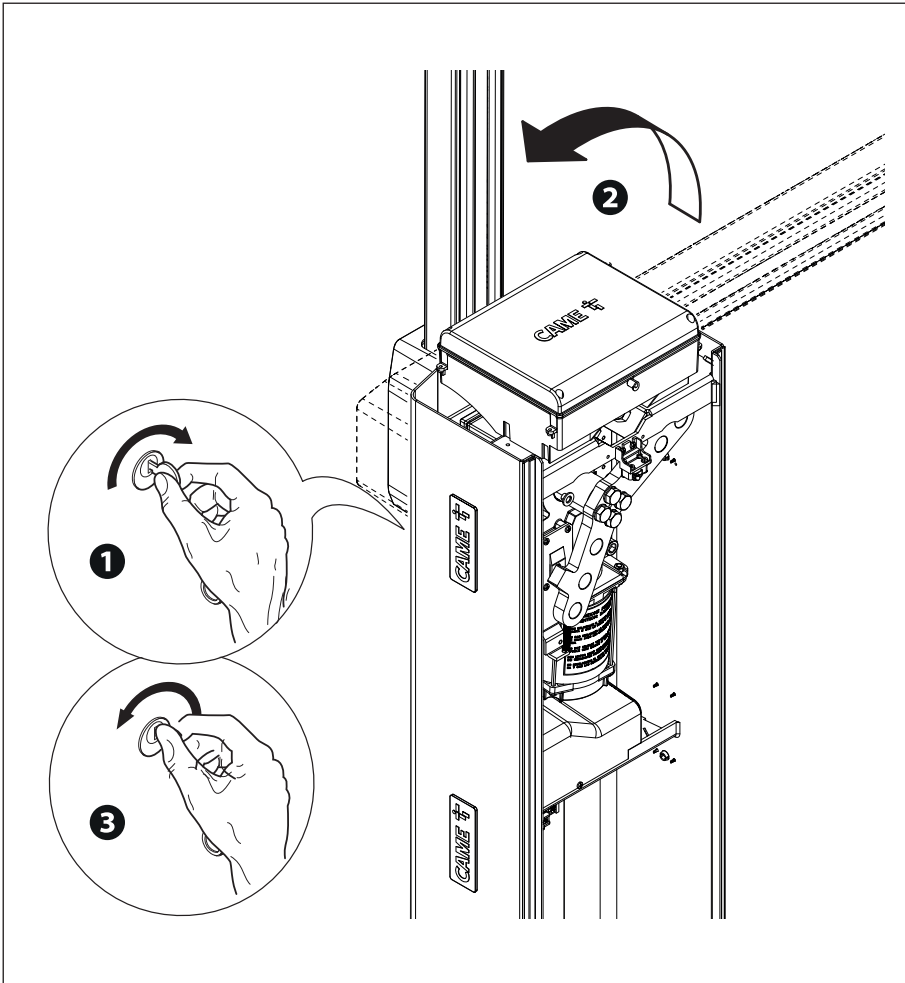
Full-height skirt (803XA-0350):

- max 2 modules for a 4 metre boom.




Assembling the balance spring

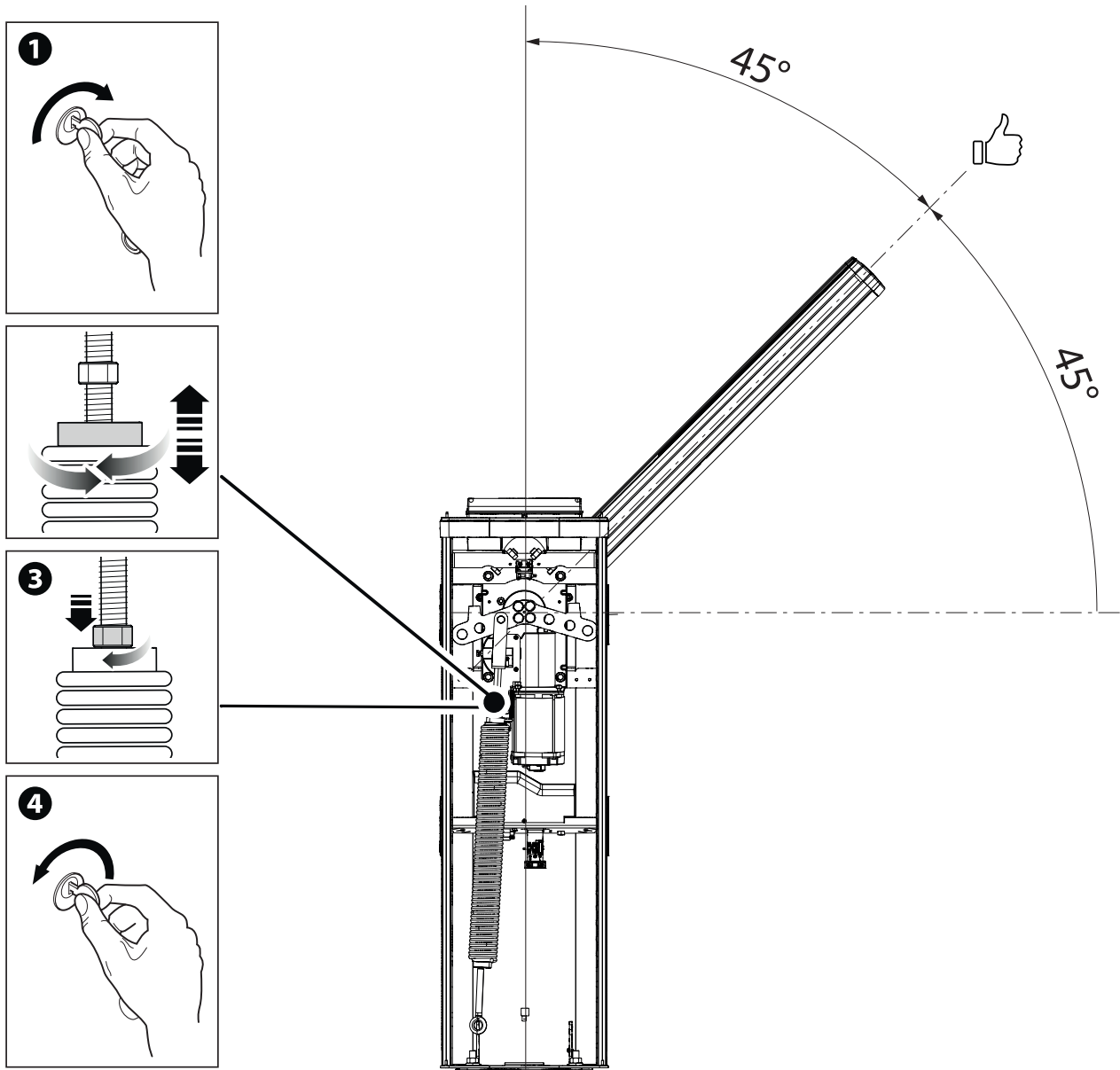
- 1 Release the gearmotor.
- 2 Position the boom vertically.
- 3 Lock the gearmotor
- 4 5 6 Assemble the anchoring pin and fix it on the lever arm.
- 7 Tighten the eyelet tie rod to the lower part of the spring.
- 8 Screw the spring to the anchoring pin.
- 9 Hook the eyelet rod onto the anchoring bracket.



Balancing the boom

- 1 Release the gearmotor.
- 2 Manually turn the spring to increase or reduce the traction. The boom should stabilise at 45°.
- 3 Fasten the locknut.
Position the boom vertically.

- 4 Lock the gearmotor
 Check the proper working state of the spring. When the boom is vertical, the spring is not taut. When the boom is horizontal, the spring is taut.



Determining the travel end points with mechanical limit switches

Check that the boom is parallel to the road surface when it is in the closed position and at about 89° when it is in the open position.

Correct the boom's horizontal position

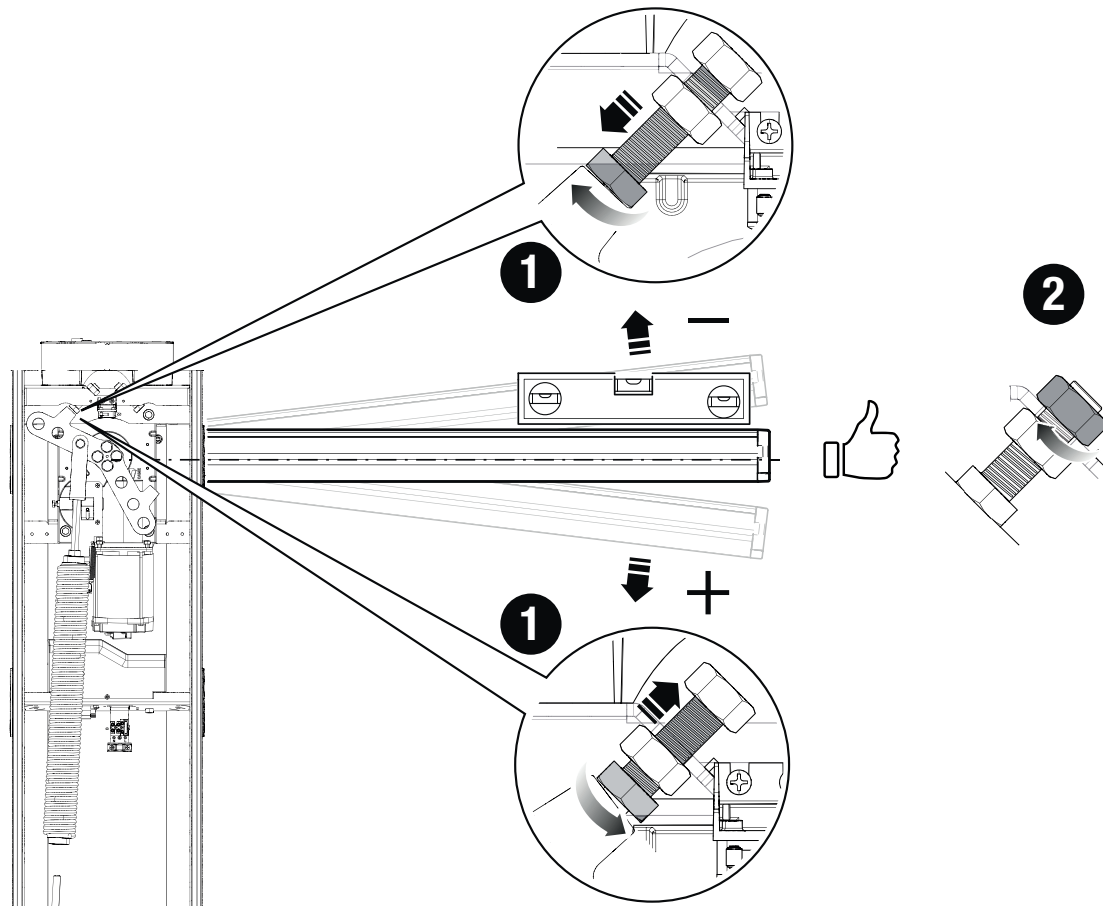
Release the gearmotor.

Open the inspection hatch.

❶ Turn the mechanical stop until you reach the desired boom position.

❷ Fasten the mechanical stop with a locknut.

Lock the gearmotor



Correct the boom's vertical position

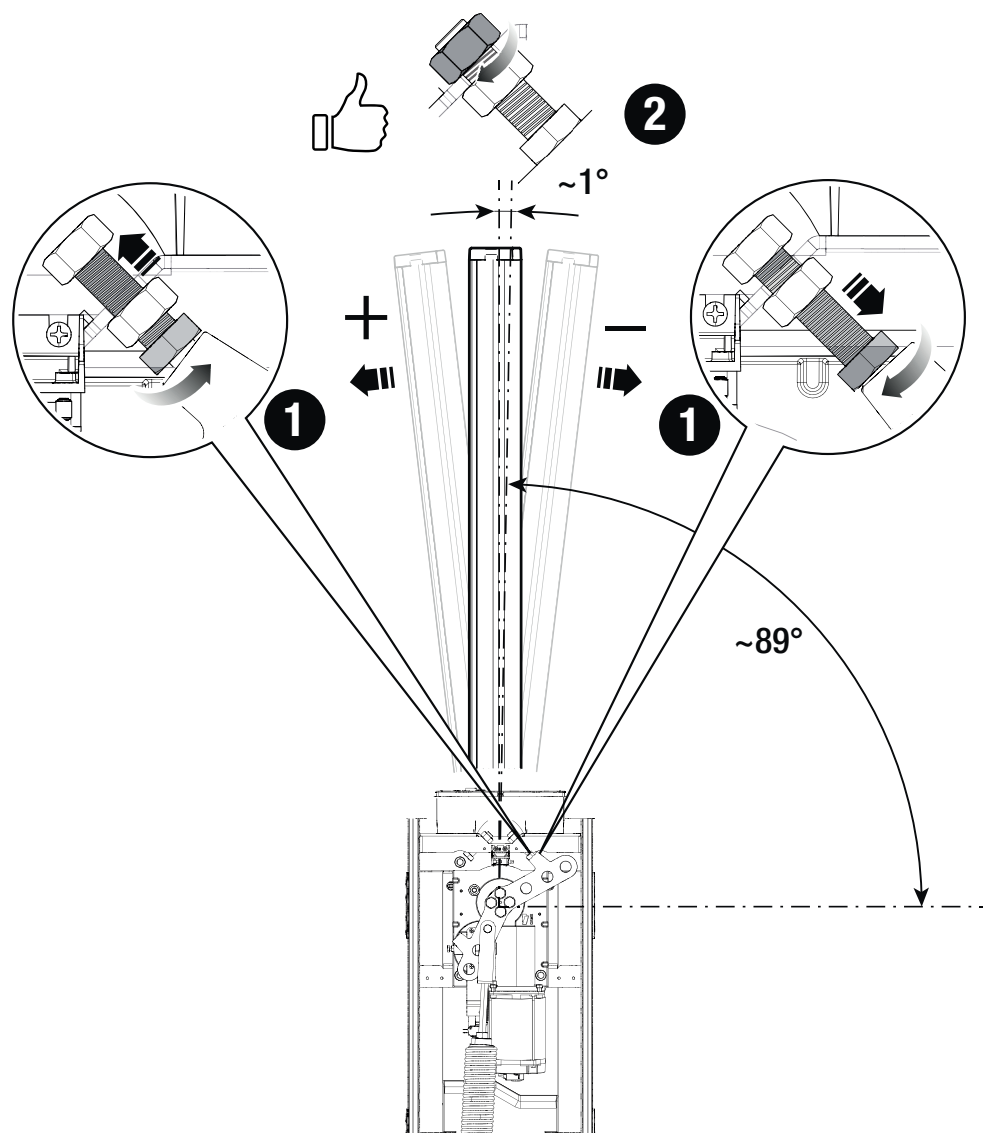
Release the gearmotor.

Open the inspection hatch.

1 Turn the mechanical stop until you reach the desired boom position.

2 Fasten the mechanical stop with a locknut.

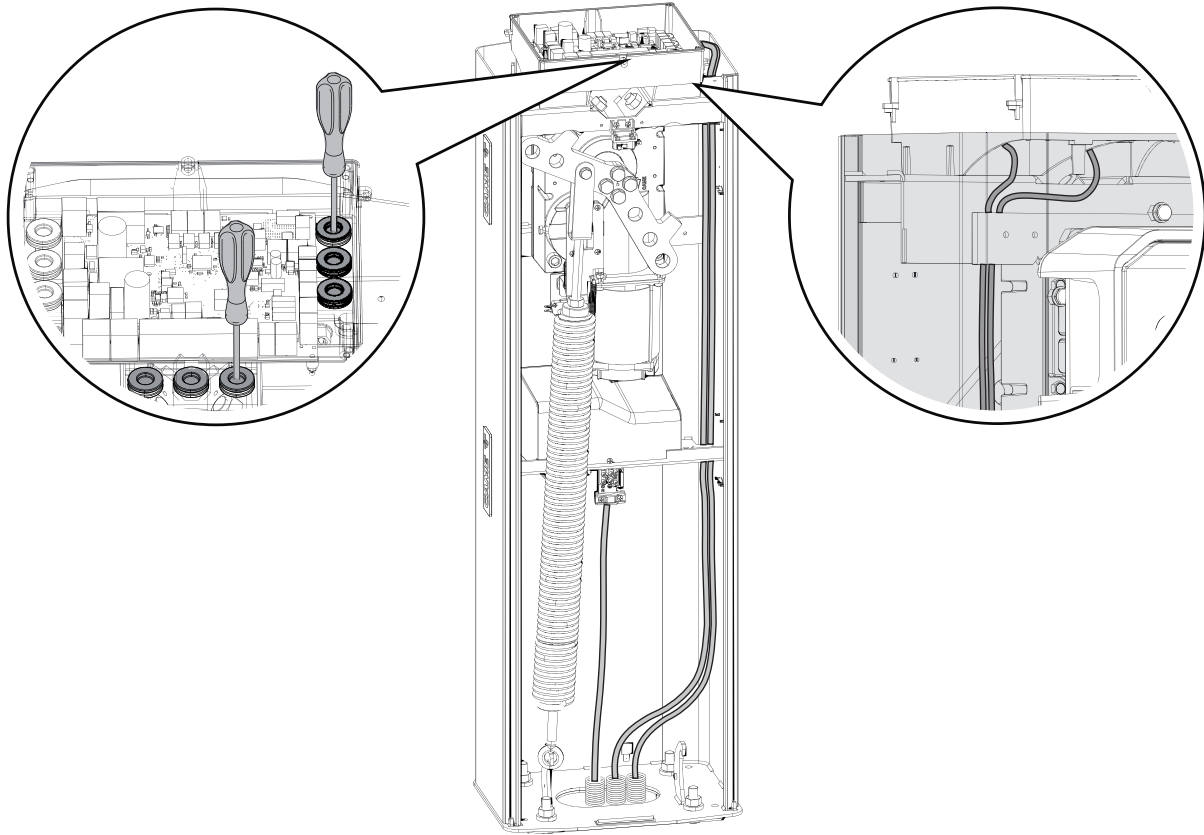
Lock the gearmotor



Passing the electrical cables

The electrical cables must not touch any parts that may overheat during use (such as the motor and transformer).

Make sure that the moving mechanical parts are suitably far away from the wiring.



Power supply

Make sure the mains power supply is disconnected during all installation procedures.

⚠ Before working on the control panel, disconnect the mains power supply and remove the batteries, if any.

Connecting to the electrical network

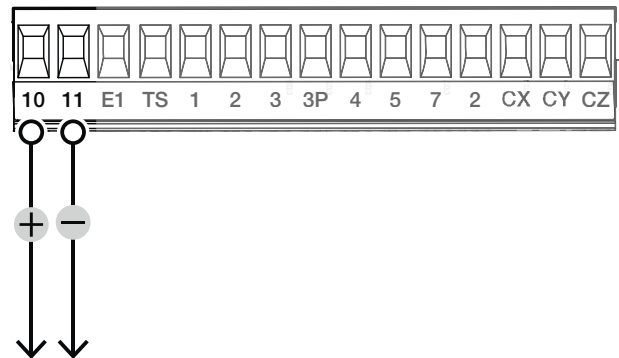
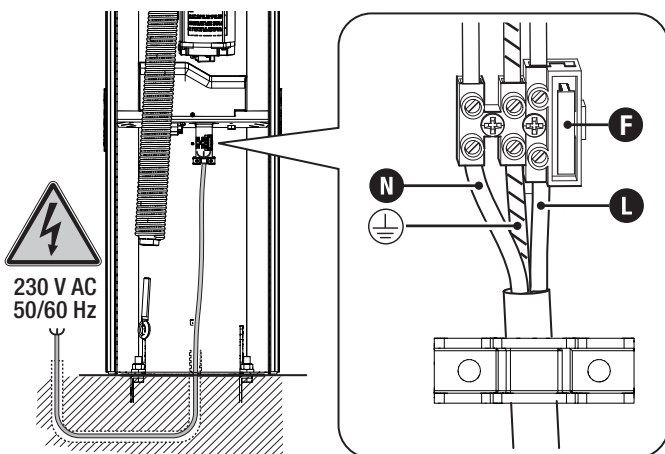
- F** Line fuse
- L** Phase
- N** Neutral
- ⊕ Earth

Power supply output for accessories

The output normally delivers 24 V AC.

The output delivers 24 V DC when the batteries start operating, if they are installed.

📖 The sum of the power draw for the connected accessories must not exceed 40 W.



Maximum capacity of contacts

Device	Output	Power supply (V)	Power (W)
Accessories	10 - 11	24 AC	40
Additional light	10 - E1	24 AC	25
Flashing beacon	10 - E1	24 AC	25
Operator status warning light	10 - 5	24 AC	3
RGB LED strip	+RG	24 DC	12
Electric lock	Eb- - Eb+	24 DC	5

Devices with BUS CXN system

The CXN CAME system is a two-wire non-polarised communication BUS which allows you to connect up all compatible CAME devices.

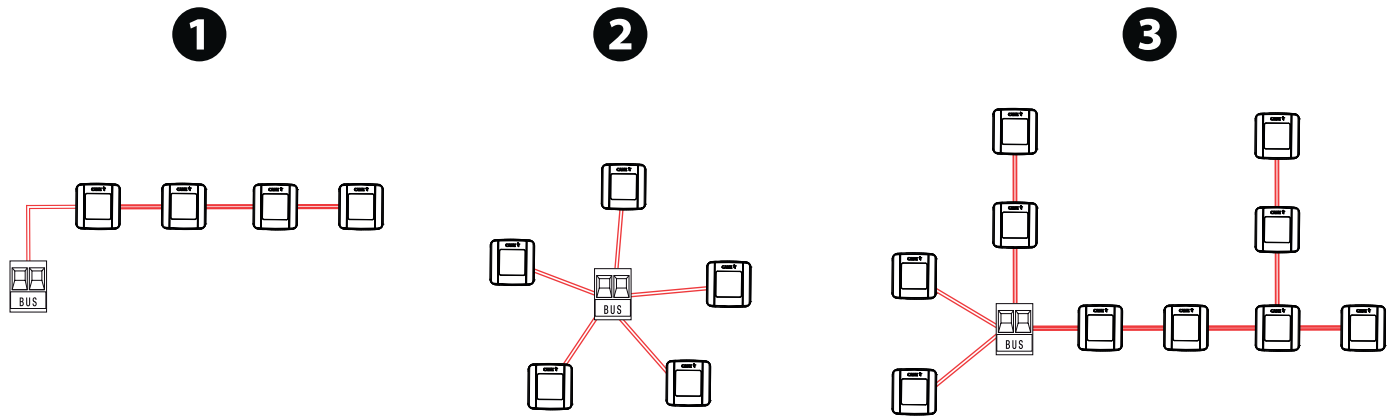
Connection to the BUS can be in a chain, star or mixed formation.

Once the system has been wired, and after having set the address on each device, the function of each accessory can be configured on the control panel. This method allows you to configure the set-up immediately without having to do so later and intervene directly on the accessories and system wiring.

The CXN BUS can support control devices, photocells, safety devices, beacons and gateways at the same time.

Cabling

- 1 Chain connection
- 2 Star connection
- 3 Mixed connection



Cable type

⚠ We recommend using a FROR 2 x 0.5 mm cable, maximum 50 m in length from the control board.

Single branch length (m)	max. 50 m
BUS cable	2 x 0.5 mm ²

📖 The total length of all branches can be a maximum of 150 m.

📖 The cable cannot be shielded.


Maximum number of devices that can be connected, by type

Type of device	Maximum number of devices
Keypad selectors and transponders	7
Photocell pairs	8
Flashing beacons	2

Command and control devices


1 STOP button (NC contact)

This stops the boom and excludes automatic closing. Use a control device to resume movement.

 If the contact is not used, it must be deactivated during programming.

2 Control device (NO contact)

OPEN ONLY function

 When the [HOLD-TO-RUN] function is active, the control device must be connected during OPENING.


3 Control device (NO contact)

PARTIAL OPENING function

 The contact must only be used for operators working in paired mode.

4 Control device (NO contact)

CLOSE ONLY function

 When the [HOLD-TO-RUN] function is active, the control device must be connected during CLOSING.

5 Control device (NO contact)

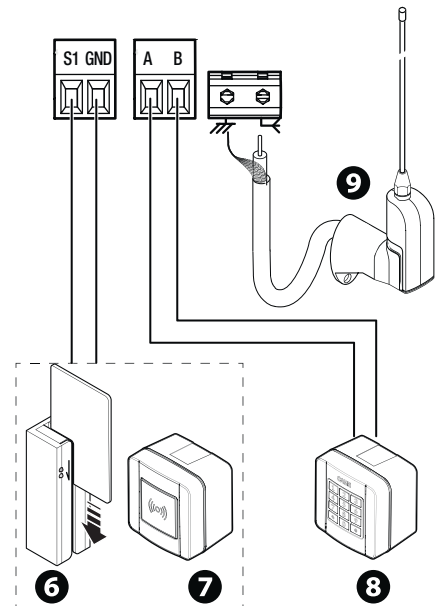
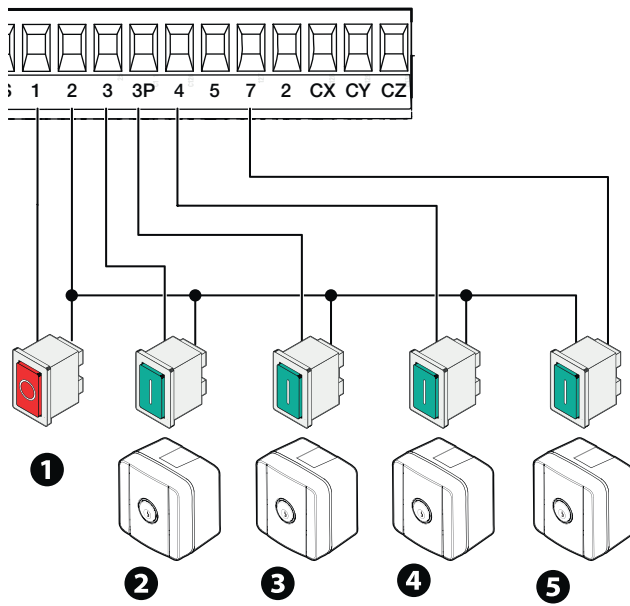
OPEN-CLOSE function

6 Card reader

7 Transponder selector switch

8 Keypad selector

9 Antenna with RG58 cable



Signalling devices

1 Additional light

It increases the light in the manoeuvring area.

2 Additional flashing beacon

It flashes when the operator opens and closes.

3 Operator status warning light

It notifies the user of the operator status.

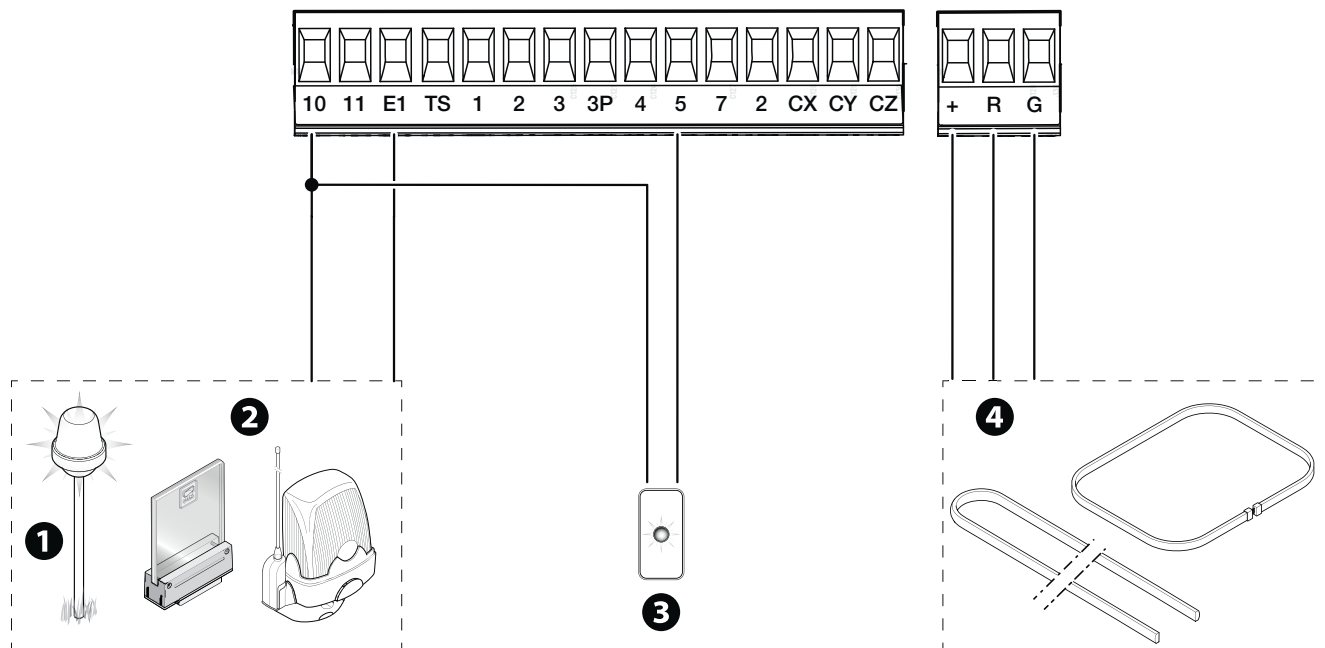
4 RGB LED strip and/or RGB crown

If the red LEDs are flashing, the operator is moving.

If the green LEDs are on, the operator is open.

If the red LEDs are on, the operator is closed.

If the red LEDs are flashing quickly, the inspection hatch is open, the gearmotor is released or the boom has dropped away.



Safety devices

Connect the safety devices to the CX, CY and/or CZ inputs (NC contacts).

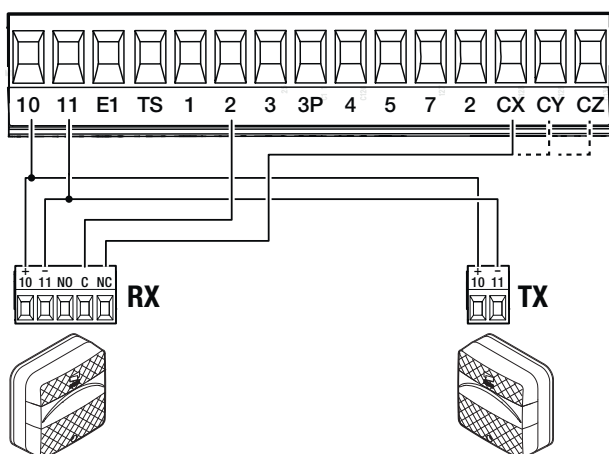
During programming, configure the type of action that must be performed by the device connected to the input.

If contacts CX, CY and CZ are not used, they must be deactivated during programming.

DELTA photocells

Standard connection

Multiple photocell pairs can be connected.

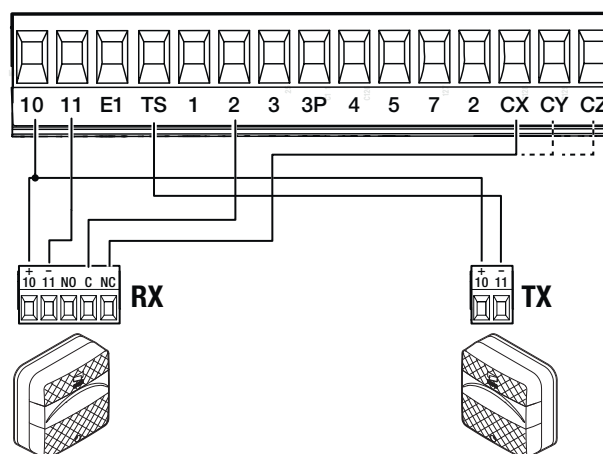


DELTA photocells

Connection with safety test

Multiple photocell pairs can be connected.

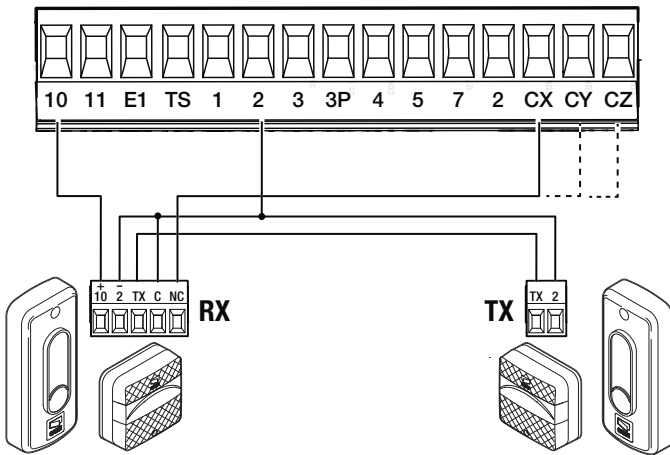
See function [F5] Safety devices test.



DIR / DELTA-S photocells

Standard connection

Multiple photocell pairs can be connected.

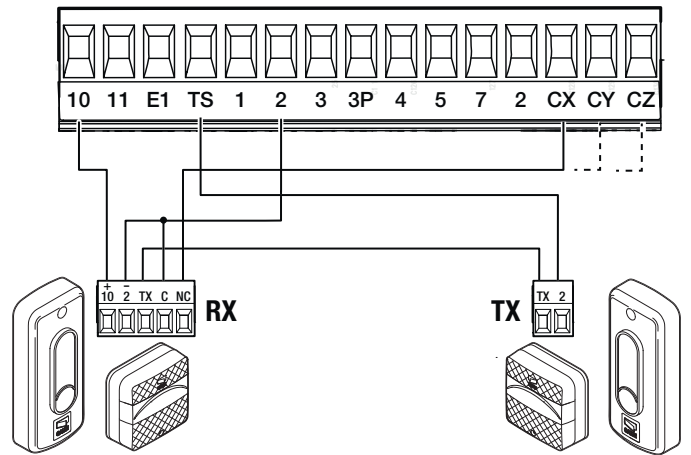


DIR / DELTA-S photocells

Connection with safety test

Multiple photocell pairs can be connected.

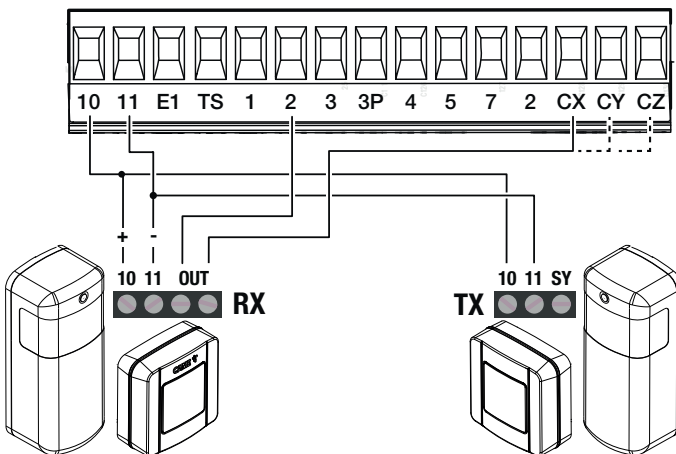
See function [F5] Safety devices test.



DXR/DLX photocells

Standard connection

Multiple photocell pairs can be connected.

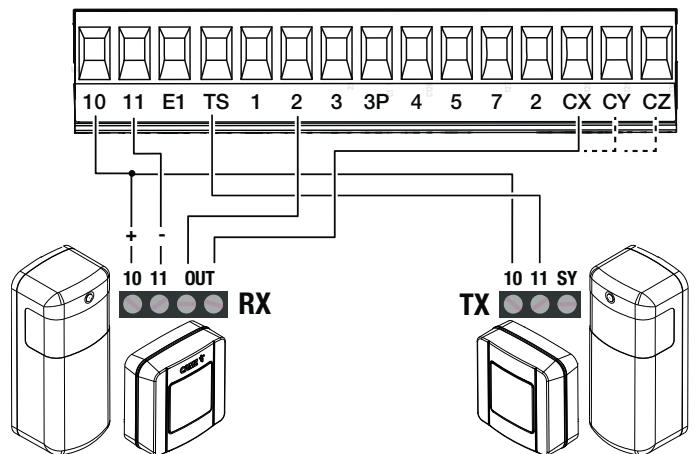


DXR/DLX photocells

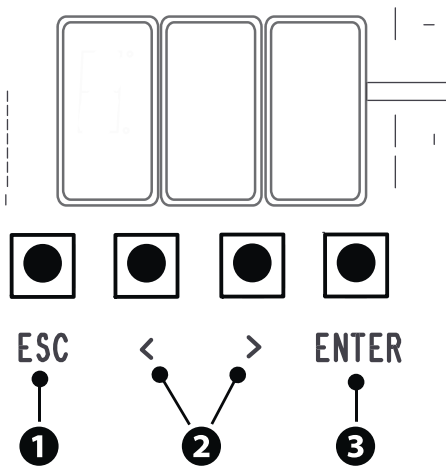
Connection with safety test

Multiple photocell pairs can be connected.

See function [F5] Safety devices test.



Programming button functions



1 ESC button

The ESC button is used to perform the operations described below.
 Exit the menu
 Delete the changes
 Go back to the previous screen

2 < > buttons

The <> buttons are used to perform the operations described below.
 Navigate the menu
 Increase or decrease values

3 ENTER button

The ENTER button is used to perform the operations described below.
 Access menus
 Confirm choice

📖 During movement, outside the menu, the ESC key stops the gate and the <> keys open and close the gate.

Getting started

📖 Once the electrical connections have been made, proceed with commissioning. Only skilled and qualified staff may perform this operation.
 Check the warning and safety devices are working properly.
 Make sure that there are no obstacles in the way.
 Power up and proceed with the operations indicated below.

A3 Travel calibration

A1 Boom length

F54 Opening direction

A2 Motor test

F1 Total stop

📖 After powering up the system, the first manoeuvre is always to open the gate. Wait for the manoeuvre to be completed.

📖 Press the ESC button or STOP button immediately in the event of any faults, malfunctions, strange noises or vibrations, or unexpected behaviour in the system.

📖 If "A3" scrolls across the display, this means that the electronic board has not yet been calibrated.

At the end of commissioning, check the correct operation of the device using the buttons near the display. Check that the accessories also work correctly.

Functions menu

Total stop

This stops the boom and excludes automatic closing. Use a control device to resume movement.

F1	Total stop	OFF (Default) ON
----	------------	---------------------

CX input

Associate a function with the CX input.

F2	CX input	OFF (Default) C1 = Reopen while closing (photocells) C4 = Obstacle standby (photocells) C5 = Immediate closure at the travel end during opening C7 = Reopen while closing (sensitive edges) C9 = Immediate closure at the travel end during opening with obstacle standby during closure C10 = Immediate closure during opening with obstacle standby during closure (NO contact) C11 = Immediate closure during opening with obstacle standby during closure (NC contact) C13 = Reopening during closure with immediate stop once the obstacle has been removed, even with boom not in movement r7 = Reopen while closing (sensitive edges with 8K2 resistor)
-----------	-----------------	---

CY input

Associate a function with the CY input.

F3	CY input	OFF (Default) C1 = Reopen while closing (photocells) C4 = Obstacle standby (photocells) C5 = Immediate closure at the travel end during opening C7 = Reopen while closing (sensitive edges) C9 = Immediate closure at the travel end during opening with obstacle standby during closure C10 = Immediate closure during opening with obstacle standby during closure (NO contact) C11 = Immediate closure during opening with obstacle standby during closure (NC contact) C13 = Reopening during closure with immediate stop once the obstacle has been removed, even with boom not in movement r7 = Reopen while closing (sensitive edges with 8K2 resistor)
-----------	-----------------	---

CZ input

Associate a function with the CZ input.

F4	CZ input	OFF (Default) C1 = Reopen while closing (photocells) C4 = Obstacle standby (photocells) C5 = Immediate closure at the travel end during opening C7 = Reopen while closing (sensitive edges) C9 = Immediate closure at the travel end during opening with obstacle standby during closure C10 = Immediate closure during opening with obstacle standby during closure (NO contact) C11 = Immediate closure during opening with obstacle standby during closure (NC contact) C13 = Reopening during closure with immediate stop once the obstacle has been removed, even with boom not in movement r7 = Reopen while closing (sensitive edges with 8K2 resistor)
-----------	-----------------	---


Safety devices test

Check that the photocells connected to the inputs are operating correctly, after each opening and closing command.

F5	Safety devices test	OFF (Default) 1 = CX 2 = CY 3 = CX+CY 4 = CZ 5 = CX+CZ 6 = CY+CZ 7 = CX+CY+CZ
----	---------------------	--

Hold-to-run

With the function active, the operator stops moving (opening or closing) when the control device is released.

 When the function is active, it excludes all other control devices.

F6	Hold-to-run	OFF (Default) ON
----	-------------	---------------------

Obstacle with motor stopped

With the function active, the boom remains stopped if the safety devices detect an obstacle. The function activates with: closed boom, open boom or after a complete stop.

F9	Obstacle with motor stopped	OFF (Default) ON
----	-----------------------------	---------------------

Open warning light

Barrier status warning. Device connected to the 10-5 output.

F10	Open warning light	0 = Warning light on (default) - The light stays on when the boom is moving or open. 1 = Warning light flashing - The warning light flashes every half a second when the boom is opening and remains on when the boom is open. The light flashes every second when the boom is closing, and remains off when the boom is closed.
-----	--------------------	---

Sensor type

Set the type of control device.

F14	Sensor type	0 = Transponder 1 = Keypad (Default)
-----	-------------	---


Electric lock

Choose the electric lock activation mode during boom manoeuvring.

F17	Electric lock	OFF (Default) 1 = The electric lock is deactivated during barrier opening and remains deactivated until the barrier is closed again.
-----	---------------	---


Light E1

Choose the type of device connected to the output.

F18	Light E1	0 =Flashing beacon (Default) 1 = Cycle light  This parameter does not appear if there [Automatic Close] function is deactivated. 2 = Courtesy light. The lighting device remains on for the time set for the [Courtesy time] function.
------------	-----------------	---

Automatic closure

Set the time before automatic closure is activated, once the opening travel end point has been reached.

 The function does not work if any of the safety devices are triggered when an obstacle is detected, after a complete stop, during a power outage or if there is an error.

F19	Automatic closure	OFF (Default) From 1 to 180 seconds
------------	--------------------------	--

Pre-flashing time

Set the time for which the beacon is activated before each manoeuvre.

F21	Pre-flashing time	OFF (Default) 1 to 10 seconds
------------	--------------------------	----------------------------------


Courtesy time

Set the lighting device operation time.

F25	Courtesy time	60 to 180 seconds (Default 180 seconds)
------------	----------------------	---

Opening speed


Set the opening speed (percentage of maximum speed).

 For booms complete with accessories (swing rest and/or skirt), reduce the speed.

F28	Opening speed	50% to 100% (Default 50%)
------------	----------------------	---------------------------

Closing speed

Set the closing speed (percentage of maximum speed).

 For booms complete with accessories (swing rest and/or skirt), reduce the speed.

F29	Closing speed	30% to 100% (Default 30%)
------------	----------------------	---------------------------

Travel sensitivity

Adjust the obstruction detection sensitivity during boom travel.

F34	Travel sensitivity	10% to 100% (Default 100%) - 10% = maximum sensitivity - 100% = minimum sensitivity
------------	---------------------------	---

RSE

Configure the function to be performed by the card inserted in the RSE_1 and RSE_2 connectors.

 If an RSE card – configured for paired connections – is plugged into the RSE_1 connector, use the RSE_2 connector for remote connection (CRP). In this case, a CAME KEY cannot be connected.

F49	rE1 rE2	rE1 1 = Paired 3 = CRP/CAME KEY (Default) 4 = Alternate	rE2 3 = CRP/CAME KEY (Default) 5 = I/O - RS485 6 = ModBus
------------	--------------------------	---	---

Save data

Save user data, timings and configurations to the memory device (memory roll or USB key).

 The function is displayed only when a USB stick is inserted into the USB port or when a memory roll card is inserted into the control board.

F50	Save data	OFF (Default) ON
------------	------------------	---------------------

Read data

Upload user data, timings and configurations from the memory device (memory roll or USB key).

 The function is displayed only when a USB stick is inserted into the USB port or when a memory roll card is inserted into the control board.

F51	Read data	OFF (Default) ON
------------	------------------	---------------------

Transferring MASTER-SLAVE parameters

Enable the sharing of parameters programmed on the Master barrier with the Slave barrier.

 This only appears if the F49 function is set to Paired or Alternate.

F52	Transferring MASTER-SLAVE parameters	OFF (Default) ON
------------	---	---------------------

Opening direction

Set the boom opening direction.

F54	Opening direction	0 = To the left (default) 1 = To the right
------------	--------------------------	---

CRP address

Assign a unique identification code (CRP address) to the control board. It is used where there are multiple operators connected via CRP.

F56	CRP address	1 to 254
------------	--------------------	----------


Set up maintenance

Set the number of manoeuvres the operator can perform before a maintenance warning signal is generated. The signal consists of the 3 + 3 times rhythmic flashing of the [Open] warning light every hour. Device connected to the 10-5 output.

F58	Set up maintenance	OFF (Default) 1 to 999 (1 = 1000 manoeuvres)
------------	---------------------------	---

Pre-flashing

Choose the type of manoeuvre that activates the flashing beacon in advance.

 Set how much earlier the flashing beacon is activated under the function [Pre-flashing time].

F61	Pre-flashing	0 = when opening and closing (Default) 1 = only when closing 2 = only when opening
------------	---------------------	--

RSE speed

Set the communication speed of the remote connection system on the RSE_1 and RSE_2 ports.

F63	rE1 rE2	2 = 4800 bps 3 = 9600 bps 4 = 14400 bps 5 = 19200 bps 6 = 38400 bps (default) 7 = 57600 bps 8 = 115200 bps
------------	--------------------------	--

FCA FCC warnings

Configure the method with which the FCA and FCC outputs report the boom status.

F70	FCA FCC warnings	OFF (Default) 1 = Impulse When the boom reaches the travel end point (while opening or closing), the FCA-CM1 or FCC-CM2 contact closes for one second. 2 = Steady When the boom reaches the travel end point (while opening or closing), the FCA-CM1 or FCC-CM2 contact closes and remains closed. 3 = Custom The FCA-CM1 contact is closed with the boom in the open travel end position and during the opening manoeuvre. The FCC-CM2 contact is closed with the boom in the closed travel end position and during the closing manoeuvre.
------------	-------------------------	---

Opening counter

With the function active, you can send a series of opening commands corresponding to the number of vehicles which have to be authorised to pass through the gate. The function can only be operated by control devices connected to the contact 2-3. The magnetic contact, to which the loop that counts vehicles in transit is connected, is connected to an input. This input must be programmed to operate in C5/C9/C10 mode. At the end of the count the passage is closed.

F75	Opening counter	OFF (Default) ON
------------	------------------------	---------------------

Emergency battery operation

Emergency function in the event of a power outage. Batteries required.

F93	Emergency battery operation	OFF (Default) Standard operation 1 = Immediate opening In the event of a power outage, the operator runs an opening command within 1 minute and all other commands are blocked until power is restored.
------------	------------------------------------	--

New user

Register up to a maximum of 250 users and assign a function to each one.

 The operation can be carried out by using a transmitter or another control device. The boards that manage the control devices (AF - R700 - R800) must be inserted into the connectors.

U1	New user	<p>1 = Step-by-step 2 = Sequential 3 = Open 4 = Partial opening When the barrier is in [Paired] mode, the [Partial opening] command opens the Master barrier.</p> <p>Choose the function to be assigned to the user. Press ENTER to confirm. You will be asked to enter your user code. Send the code from the control device. Repeat the procedure to add other users.</p>
----	----------	---

Remove user

Remove one of the registered users.

U2	Remove user	<p>OFF (Default) ON</p> <p>Use the arrows to choose the number associated with the user you want to remove. No. 1 > 250 Alternatively, the control device associated with the user you want to remove can be activated. Press ENTER to confirm.</p>
----	-------------	--

Remove all

Remove all registered users.

U3	Remove all	<p>OFF (Default) ON</p>
----	------------	--

Radio decoding

Choose the type of radio coding for the transmitters enabled to control the operator.

 If you choose the type of radio coding for the transmitters [Rolling code] or [TW key block], any transmitters with a different type of radio coding saved previously will be deleted.

U4	Radio decoding	<p>1 = All (Default) 2 = Rolling code 3 = TW key block</p>
----	----------------	--

Self-Learning Rolling

Save a new transmitter by activating acquisition from a remote control that has already been saved (see the remote control manual).

U8	Self-Learning Rolling	<p>OFF (Default) ON</p>
----	-----------------------	--

Boom length

Set the boom length.

A1	Boom length	<p>3 = 3 m boom 4 = 4 m boom 6 = 6 m boom 8 = 8 m boom</p>
----	-------------	---

Motor test

Check the boom opens in the correct direction.

 If the keys do not execute the commands correctly, invert the boom opening direction.

A2	Motor test	The button > makes the motor turn in clockwise direction. The button < makes the motor turn in an anticlockwise direction.
----	------------	---

Travel calibration

Start the travel self-learning.

A3	Travel calibration	ON = To start calibration
----	--------------------	---------------------------

Parameter reset

Restore factory settings except for the functions: [Radio decoding], [Boom length] and the settings related to travel calibration.

A4	Parameter reset	OFF (Default) ON
----	-----------------	---------------------

Manoeuvre counter

View the number of manoeuvres performed by the operator (1 = 1000 manoeuvres).

A5	Manoeuvre counter	tot = total manoeuvres PAr = partial manoeuvres
----	-------------------	--

FW version

Display the firmware version number.

H1	FW version	
----	------------	--

Enable password

Set a 3-digit password. The password will be requested to anyone who wants to access the main menu.

Remove the password that protects access to the main menu.

H3	ON OFF	ON OFF	Use the arrows and the Enter button to dial the desired code. Press ENTER to confirm deletion.
----	-----------	-----------	---

Forgotten password

If you forget your password, follow the procedure below.

Disconnect the control board from the power supply.

Press and hold the < and > buttons, then reconnect the control board to the power supply.

Continue to press and hold the < > buttons until [ON/OFF] is displayed.

Select [ON].

Press ENTER to confirm.

 When you reset the control board, all saved users, set times and calibration operations are deleted.

Photocell BUS <n>


Associate a function with the photocell BUS <n> input.

 <n> is between 1 and 8 and corresponds to the address set on the photocell dip-switch

B1-B8	Photocell BUS <n>	
		OFF (Default) C1 = Reopen while closing (photocells) C4 = Obstacle standby (photocells) C5 = Immediate closure at the travel end during opening C9 = Immediate closure at the travel end during opening with obstacle standby during closure C10 = Immediate closure during opening with obstacle standby during closure (NO contact) C13 = Reopen while closing, with immediate stop once the obstruction has been removed, even if the gate is not in motion C23 = Open command C24 = Close command

Import/export data

- 1 Insert the MEMORY ROLL card into the corresponding connector on the control board.
- 2 Press the "Enter" button to access programming.
- 3 Use the arrows to choose the desired function.


 The functions are displayed only when a MEMORY ROLL card is inserted.

-Save data

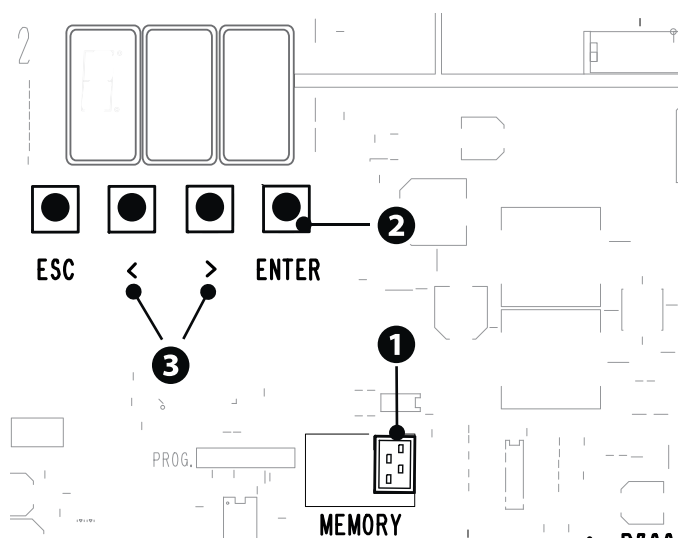
Save user data, timings and configurations to the memory device (memory roll or USB key).

-Read data

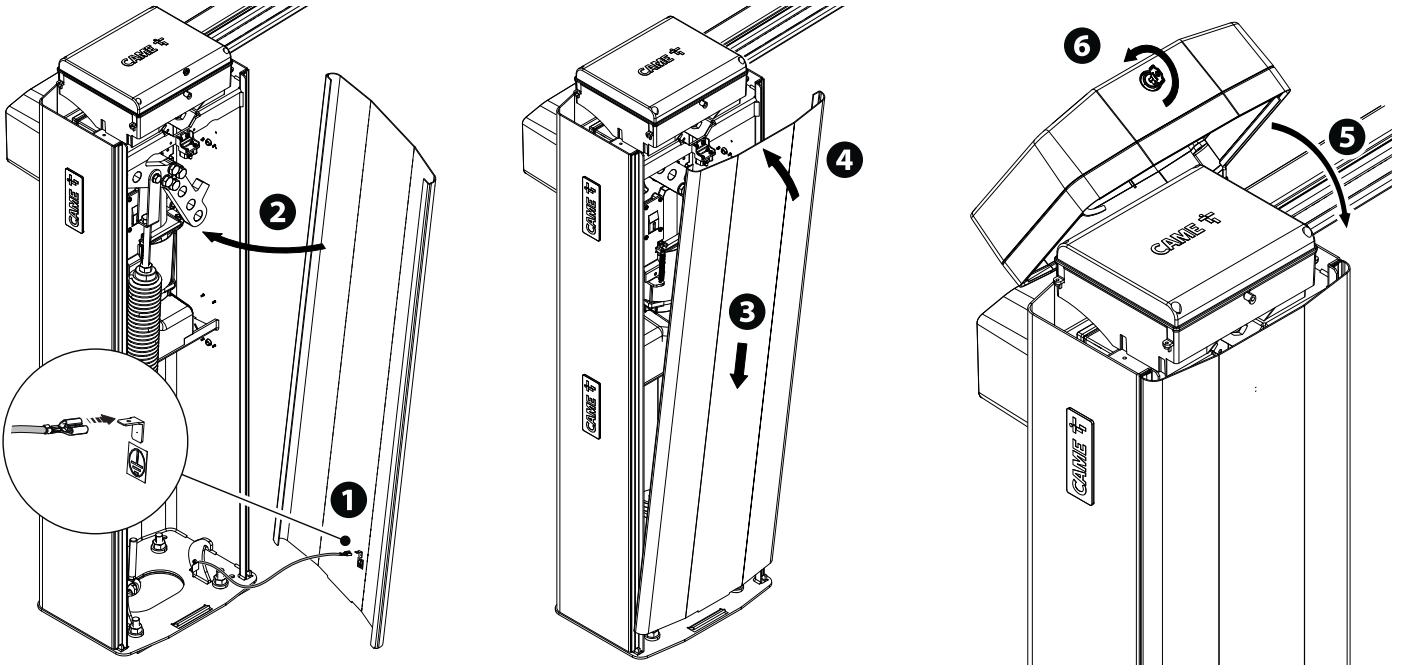
Upload user data, timings and configurations from the memory device (memory roll or USB key).

 Before inserting and removing the MEMORY ROLL card, DISCONNECT THE MAINS POWER SUPPLY TO THE LINE.

 Remove the MEMORY ROLL card after the data has been loaded.



FINAL OPERATIONS





PAIRED OPERATION

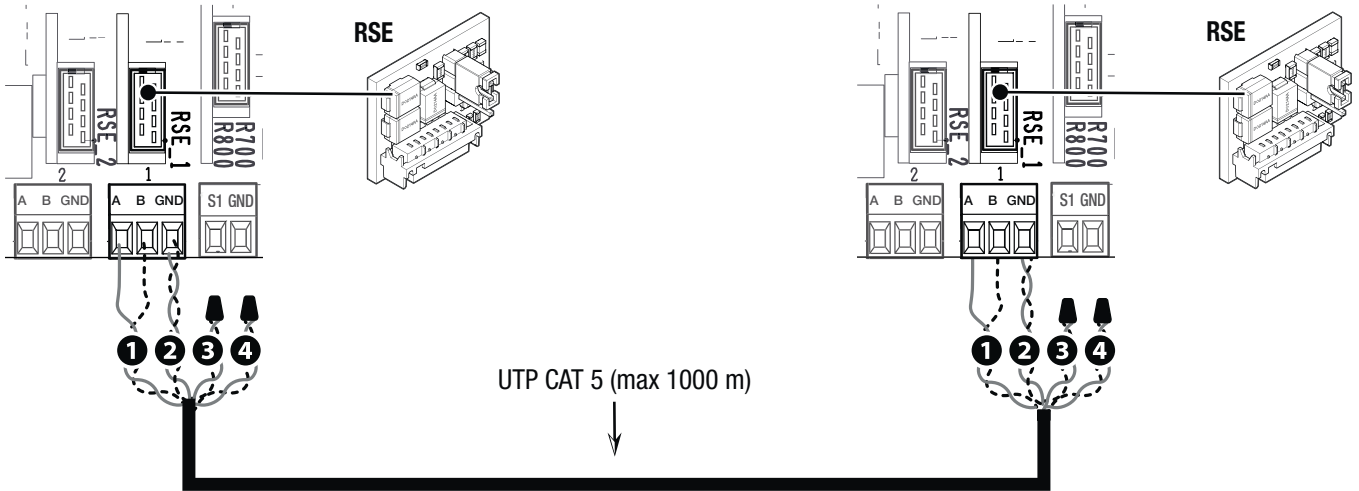
Two connected operators are controlled with one command.

Electrical connections


Connect the two electronic boards with a UTP CAT 5 cable.
Fit an RSE card on both control boards, using the RSE_1 connector.
Connect up the electrics for the devices and accessories.

 For information on connecting the electrics for the devices and accessories, please see the "ELECTRICAL CONNECTIONS" section.

 The devices and accessories must be connected to the control board which will be set as the MASTER.



Programming

 All programming operations described below must be performed only on the control board set as the MASTER.

Configure the RSE_1 port in [Paired].

Enable the sharing of parameters programmed on the Master barrier with the Slave barrier.

 After programming the MASTER operator in [Paired], the second operator automatically becomes SLAVE.

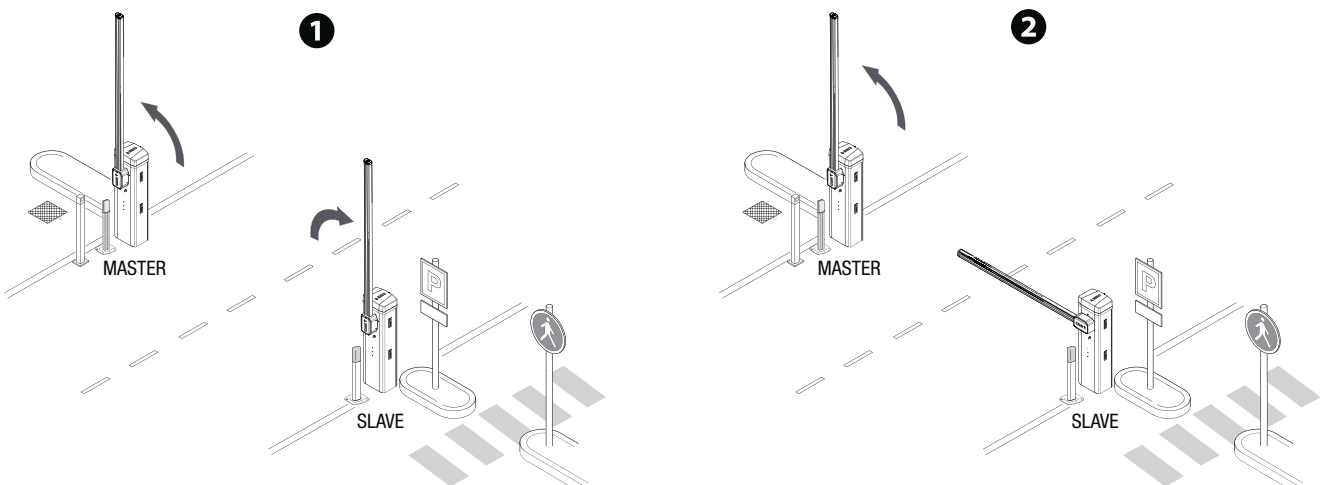
Saving users

 All save user operations must be performed only on the control board set as the MASTER.

 For user storage operations, see the [New user] function.

Operating modes

- 1 OPEN-CLOSE command (2-7), OPEN ONLY (2-3) or CLOSE ONLY (2-4)
- 2 PARTIAL OPENING command (2-3P)



ALTERNATE OPERATION


The first barrier opens, the vehicle passes, the first barrier closes, the second barrier opens, the vehicle passes and the second barrier closes.


Electrical connections

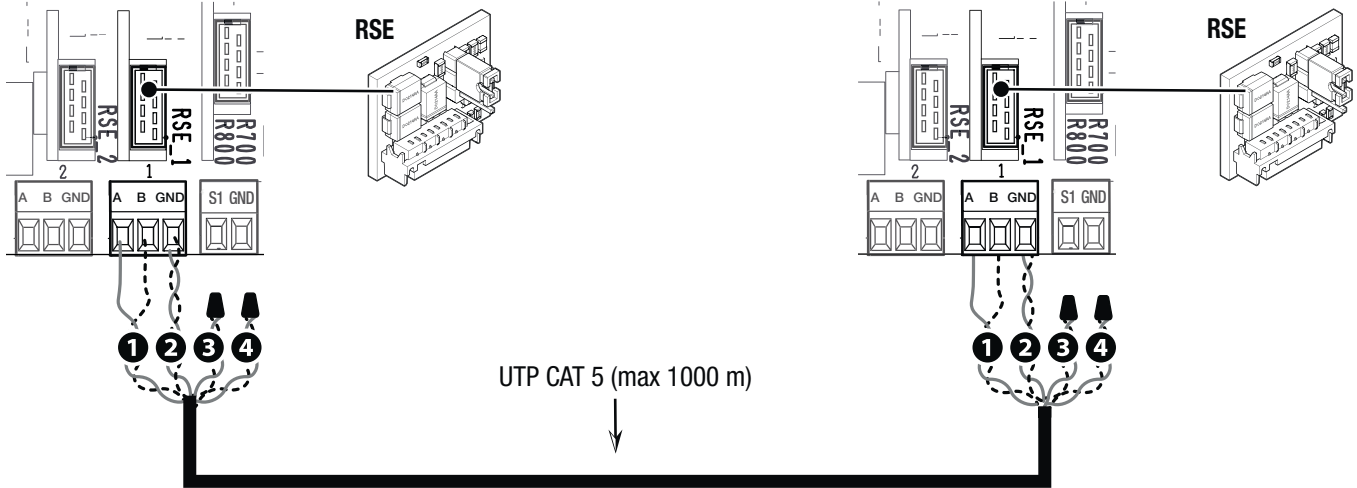
Connect the two electronic boards with a UTP CAT 5 cable.

Fit an RSE card on both control boards, using the RSE_1 connector.

Connect up the electrics for the devices and accessories.

 For information on connecting the electrics for the devices and accessories, please see the "ELECTRICAL CONNECTIONS" section.

 The control and safety devices must be connected on both electronic boards.




Programming

On one of the two barriers, configure the [RSE_1] function in [Alternate].

It activates the function [Automatic close] on both control boards.

Saving users

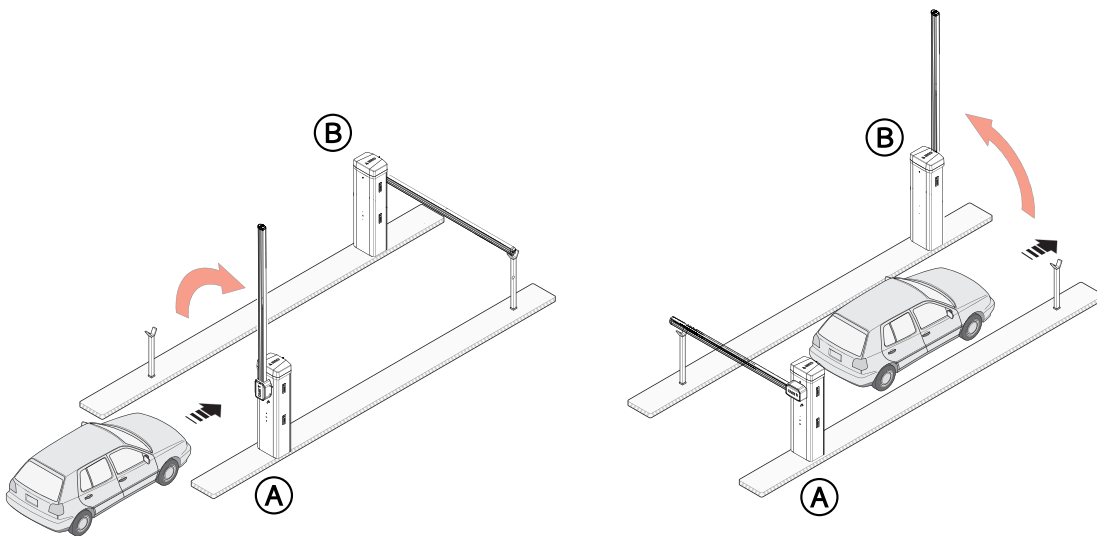
 For user storage operations, see the [New user] function.

 When programming users, do not use the 2-3P OPEN ONLY command.

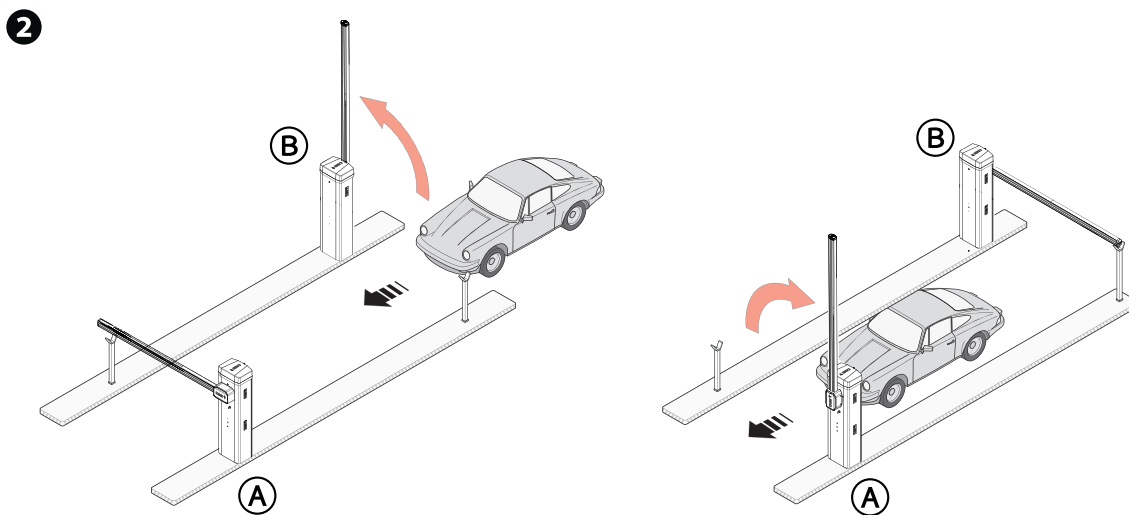
Operating modes

1 ONLY OPEN command (2-3) on barrier A

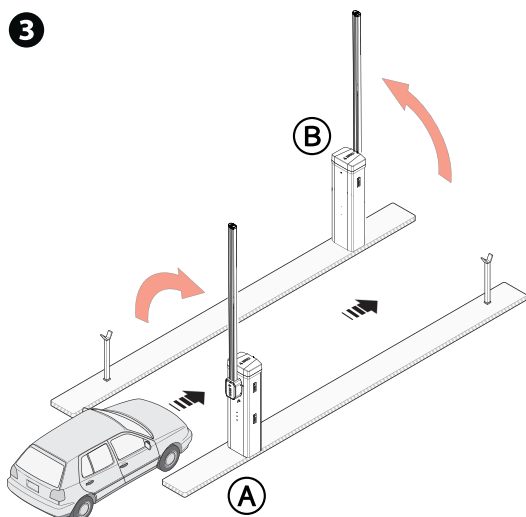
1



2 ONLY OPEN command (2-3) on barrier B





3 OPEN-CLOSE command (2-7) on barrier A or B for emergency opening



MCBF

Models	GT
Standard boom L = 4.2 m	3.000.000
Skirt	-20%
Mobile foot	-20%
Articulated joint	-20%
Full-height skirt	-30%

 The MCBF value relates to the barrier only and does not refer to any applicable accessories.

 The GARD GT barrier has been designed to perform up to 3 million cycles. Thanks to its 24V DC motor, it is extremely reliable and requires very little maintenance.


 Before carrying out any cleaning or maintenance, or replacing any parts, disconnect the device from the power supply.

 This document informs the installer of the checks that must be carried out during maintenance.

 If the barrier is not used for long periods of time, e.g. for installations at sites with seasonal closures, release the spring and remove the boom.

 For information on correct installation and adjustments, please see the product installation manual.

 For information on choosing products and accessories, please see our product catalogue.

 If the barrier with an articulated joint is used, check that the moving parts of the joint are in good condition. Replace them if necessary.

Every 250,000 cycles and, in any case, every 6 months of operation, you must perform the maintenance work indicated below.

Perform a general and complete check of the tightness of the nuts and bolts.

Lubricate the spring when it is fully extended.

Check the 45° boom balance and if necessary tension the balance spring, adjusting its traction operating on the hooking tie rods.

Grease all of the moving mechanical parts.

Check the warning and safety devices are working properly.

Check that the microswitch connected to the cabinet hatch is working correctly.

Check the microswitch connected to the manual release is working properly, and the microswitch connected to the release accessories (optional).

Check for any wear on the moving mechanical parts and check that they are working properly.

Check the cables are intact and connected correctly.

Every 1,000,000 cycles and, in any case, every 24 months of operation, you must perform the maintenance work indicated below.

Replace the balance spring.

ERROR MESSAGES

E1	Calibration error
E3	Encoder failure error
E4	Service test failure error
E7	Operating time error
E8	Open release-hatch error
E9	Obstacle detected during closing
E10	Obstacle detected during opening
E11	The maximum number of obstacles detected consecutively has been exceeded
E14	Serial communication error
E15	Incompatible transmitter error
E16	Open SLAVE-motor hatch error

Fabbricante / Manufacturer / Hersteller / Fabricant / Fabricante / Fabricante
/ Wytwórca / Fabrikant

Came S.p.a.

indirizzo / address / adresse / adresse / direcció / endereço / adres / adres
Via Martiri della Libertà 15 - 31030 Dosson di Casier, Treviso - Italy

CAME



DICHIARA CHE LA BARRIERA STRADALE / DECLARES THAT THE AUTOMATIC BARRIERS /
ERKLÄRT DASS DIE AUTOMATISCHE SCHRÄNKENSYSTEME / DÉCLARE QUE LA BARRIÈRE AUTOMATIQUE
/ DECLARA QUE LA BARRERAS AUTOMÁTICAS / DECLARA QUE A BARRIÈRA AUTOMÁTICA
/ OSMADZA ZE SZLABANY AUTOMATYCZNA / VERKLAART DAT DE AUTOMATISCHE SLAGBOOM

LETTER W:	LETTER Z:	LETTER X:
A = 230V	B = BLUE	S = STANDARD
R = 120V	W = WHITE	6 = AISI316
	N = BROWN	4 = AISI304
	K = BLACK	430 = AISI430
	Y = YELLOW	B = BRAZIL
	G = GREY	P = PARKARE
	R = RED	
	E = GREEN	
	O = ORANGE	
	C = CUSTOM	
	X = STAINLESS	

GGT40WZX

E' CONFORME ALLE DISPOSIZIONI DELLE SEGUENTI DIRETTIVE / IT COMPLIES WITH THE PROVISIONS OF THE FOLLOWING
DIRECTIVES / DEN VORGABEN DER FOLGENDEN RICHTLINIEN ENTSPRECHEN / IL EST CONFORMES AUX DISPOSITIONS
DES DIRECTIVES SUIVANTES / CUMPLEN CON LAS DISPOSICIONES DE LAS SIGUIENTES DIRECTIVAS / ESTÃO DE ACORDO
COM AS DISPOSIÇÕES DAS SEGUINTE DIRECTIVAS / SA ZGODNE Z POSTANOWIENIAMI NASTĘPUJĄCYCH DYREKTYW
EUROPEJSKICH / VOLDÖEN AAN DE VOORSCHRIFTEN VAN DE VOLGENDE RICHTLIJNEN:

- COMPATIBILITA' ELETTROMAGNETICA / ELECTROMAGNETIC COMPATIBILITY / ELEKTROMAGNETISCHE
VERTRÄGLICHKEIT / COMPATIBILITÉ ÉLECTROMAGNÉTIQUE / COMPATIBILIDAD ELECTROMAGNETICA / COMPATIBILI-
DADE ELETTROMAGNETICA / KOMPATYBILNOSCI ELEKTROMAGNETYCZNEJ / ELEKTROMAGNETISCHE COMPATIBI-
LITEIT : 2014/30/EU.

Riferimento norme armonizzate ed altre norme tecniche / Refer to European regulations
and other technical regulations / Harmonisierte Bezugsnormen und andere technische
Vorgaben / Référence aux normes harmonisées et aux autres normes techniques /
Referencia normas armonizadas y otras normas técnicas / Referência de normas
harmonizadas e outras normas técnicas / Odnosne normy ujednolicone i inne normy
techniczne / Geharmoniseerde en andere technische normen waarnaar is verwezen

EN 61000-6-2:2005
EN 61000-6-3:2007+A1:2011
EN 62233:2008
EN 60335-1:2012+A11:2014

RISPETTA I REQUISITI ESSENZIALI APPLICATI: / MEET THE APPLICABLE ESSENTIAL REQUIREMENTS: / DEN WESENTLICHEN
ANGEWANDTEN ANFORDERUNGEN ENTSPRECHEN: / RESPECTENT LES CONDITIONS REQUISES NECESSAIRES APPLIQUEES:
/ CUMPLEN CON LOS REQUISITOS ESENCIALES APLICADOS: / RESPETAM O REQUISITOS ESSENCIAIS APLICADOS: /
SPECJALNIA PODSTAWOWE WYMAGANIA WYRUNKI: / VOLDÖEN AAN DE TOEPASBARE MINIMUM EISEN:

1.1.3; 1.1.5; 1.2.1; 1.2.2; 1.3.2; 1.3.7; 1.3.8.1; 1.4.1; 1.4.2; 1.5.1; 1.5.6; 1.5.8; 1.5.9; 1.5.9; 1.5.13; 1.6.1; 1.6.3; 1.6.4;
1.7.1; 1.7.2; 1.7.4

PERSONA AUTORIZZATA A COSTITUIRE LA DOCUMENTAZIONE TECNICA PERTINENTE / PERSON AUTHORISED TO COMPIL THE RELEVANT TECHNICAL DOCUMENTATION /
PERSON DIE BEVOLLMÄCHTIGT IST, DIE RELEVANTEN TECHNISCHEN UNTERLAGEN ZUSAMMENZUSTELLEN / DOCUMENTATION TECHNIQUE SPECIFIQUE D'AUTORISATION
A CONSTRUIRE DE / PERSONA FACULTADA PARA ELABORAR LA DOCUMENTACION TECNICA PERTINENTE / PESSOA AUTORIZADA A CONSTITUIR A DOCUMENTAÇÃO TÉCNICA
PERTINENTE / OSOBA UPOWAZNIONA DO ZREDAGOWANIA DOKUMENTACJI TECHNICZNEJ / DEGENE DIE GEMACHTIGD IS DE RELEVANTE TECHNISCHE DOCUMENTEN
SAMEN TE STELLEN.

CAME S.p.a.

La documentazione tecnica pertinente è stata compilata in conformità all'allegato VII B. / The pertinent technical documentation has been drawn up in compliance with attached
document VII B. / Die relevante technische Dokumentation wurde entsprechend der Anlage VII B. ausgestellt. / La documentation technique spécifique a été remplie conformément à
l'annexe I B. / La documentación técnica pertinente ha sido redactada en cumplimiento con el anexo VII B. / A documentação técnica pertinente foi preenchida de acordo com o anexo
VII B. / Odnosna dokumentacja techniczna została zredagowana zgodnie z załącznikiem VII B. / De technische documentatie tezake is opgesteld in overeenstemming met de bijlage VII B.

CAME S.p.a. si impegna a trasmettere, in risposta a una richiesta adeguatamente motivata dalle autorità nazionali, informazioni pertinenti sulle quasi macchine, e / Came S.p.a., following
a duly motivated request from the national authorities, undertakes to provide information related to the quasi machines, and / Die Firma Came S.p.a. verpflichtet sich auf eine angemessen
motivierete Anfrage der staatlichen Behörden Informationen über die unvollständigen Maschinen, zu übermitteln, und / Came S.p.a. s'engage à transmettre, en réponse à une demande
bien fondée de la part des autorités nationales, les renseignements relatifs aux quasi machines. / Came S.p.a. se compromete a transmitir, como respuesta a una solicitud adecuadamente
fundada por parte de las autoridades nacionales, informaciones relacionadas con las cuasimáquinas / Came S.p.a. compromete-se em transmitir, em resposta a uma solicitação motivada
apropriadamente pelas autoridades nacionais, informações pertinentes às partes que compoem máquinas / Came S.p.a. zobowiązuje się do udzielenia informacji dotyczących maszyn
nieukończonych na odpowiednio umotywowana prośbę, złożoną przez kompetentne organy państwowe / Came S.p.a. verbindt zich ertoe om op met redenen omkleed verzoek van de
nationale autoriteiten de relevante informatie voor de niet voltooid machine te verstrekken.

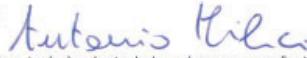
VIETA / FORBIDS / VERBIETET / INTERDIT / PROHIBE / PROIBE / ZABRANIA SIE / VERBIEDT

la messa in servizio finché la macchina finale in cui deve essere incorporata non è stata dichiarata conforme, se del caso alla 2006/42/CE. / commissioning of the above mentioned until such
moment when the final machine into which they must be incorporated, has been declared compliant, if pertinent, to 2006/42/CE / die Inbetriebnahme bevor die „Endmaschine“ in die die
unvollständige Maschine eingebaut wird, als konform erklärt wurde, gegebenenfalls gemäß der Richtlinie 2006/42/EU. / la mise en service tant que la machine finale dans laquelle elle doit
être incorporée n'a pas été déclarée conforme, le cas échéant, à la norme 2006/42/CE. / la puesta en servicio hasta que la máquina final en la que será incorporada no haya sido declarada
de conformidad de acuerdo a la 2006/42/CE / a colocação em funcionamento, até que a máquina final, onde devem ser incorporadas, não for declarada em conformidade, se de acordo
com a 2006/42/CE. / Uruchomienia urządzenia do czasu, kiedy maszyna, do której ma być wbudowany, nie zostanie oceniona jako zgodna z wymogami dyrektywy 2006/42/WE, jeśli taka
procedura była konieczna. / deze in werking te stellen zolang de eindmachine waarin de niet voltooid machine moet worden ingebouwd in overeenstemming is verklaard, indien toepasselijk
met de richtlijn 2006/42/EG.

Dosson di Casier (TV)
14 Dicembre / December / Dezember /
Décembre / Diciembre / Dezembro /
Grudziern / December 2020

Direttore Tecnico / Chief R&D Officer / Technischer Direktor /
Directeur Technique / Director Técnico / Diretor Técnico /
Dyrektor Techniczny / Technisch Directeur
(Special Proxy Holder)

Antonio Milici



Fascicolo tecnico a supporto / Supporting technical dossier / Unterstützung technische Dossier / soutien dossier technique / apoyo expediente
técnico / apolar dossier técnico / wspieranie dokumentacji technicznej / ondersteunende technische dossier: 803BB-0180

Came S.p.a.

Via Martiri della Libertà, 15 - 31030 Dosson di Casier - Treviso - Italy - Tel. (+39) 0422 4940 - Fax (+39) 0422 4941
info@came.it - www.came.com

Cap. Soc. 1.610.000,00 € - C.F. e P.I. 03481280265 - VAT IT 03481280265 - REA TV 275359 - Reg Imp. TV 03481280265

CAME



CAME S.P.A.

Via Martiri della Libertà, 15
31030 Dosson di Casier
Treviso - Italy
Tel. (+39) 0422 4940
Fax (+39) 0422 4941

CAME.COM