

# DS-PD1-MC-WWS



Partcode: MC1MINI-WE

EN50131-2-6:2008  
EN50131-5-3:2005+A1:2008  
PD6662:2010  
Security Grade (SG) 2  
Environmental Class (EC) II

## ENGLISH

### Installation Notes

It is recommended the contact is registered at the control panel. A signal strength test should then be performed to make sure the most suitable location is chosen, ensuring optimum wireless range.

### Installation Surfaces

The contact can be mounted on typical building materials; such as wood, PVC, brick or metal etc.

### Programming Menus Required

#### 1 WIRELESS DEVICE CONTROL

#### 2 REGISTER WIRELESS DEVICE

Register Locally

1. Make the security control panel enter the registration mode.
  2. Register the detector: Hold the registration key until the three LEDs flash alternately. The green LED will flash 8 times if the registration is finished.
  3. Communication Test: Release the TAMPER spring to trigger the alarm.
- Note: The distance between the security control panel and the detector should be less than 50 cm.

Initialize the Detector

1. Remove the battery to power the detector off.
2. 5s later, hold the registration key and reinstall the battery to power the detector on at the same time to make the three LEDs start flashing alternately. Release the registration key while the three LEDs flash once together.

#### 3 DIAGNOSTICS

### Specification

Battery:

Type: 3.0V CR123A.  
Threshold: 2.5V +/- 5% at 25°C.  
Life: Up to 2 years

Wireless:

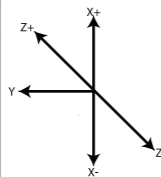
Transmission Frequency: 868MHz FM transceiver narrow band  
Transmission Method: Fully encrypted rolling code

Materials and Environment

Colour and Casing: White. 2mm ABS  
Indication: LEDs (Signal, Battery, Alarm, Tamper)  
Temperature: -10°C to 40°C (Certified)  
Dimensions (H x W x D): 27 x 104 x 25mm. Magnet: 14 x 49 x 16mm

### Magnet Detection Performance

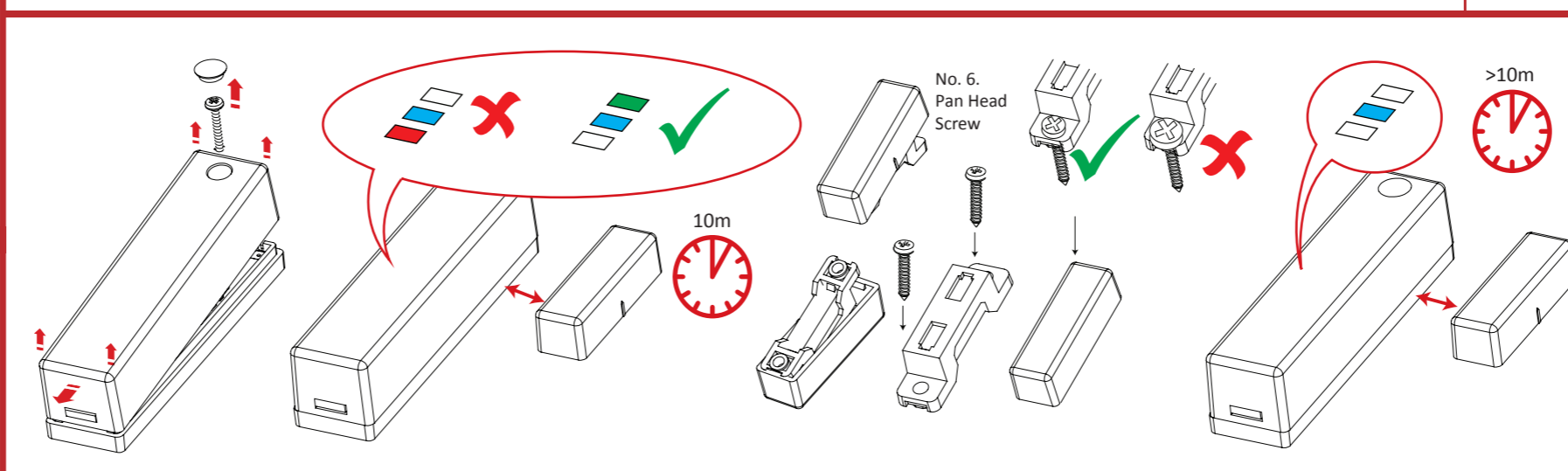
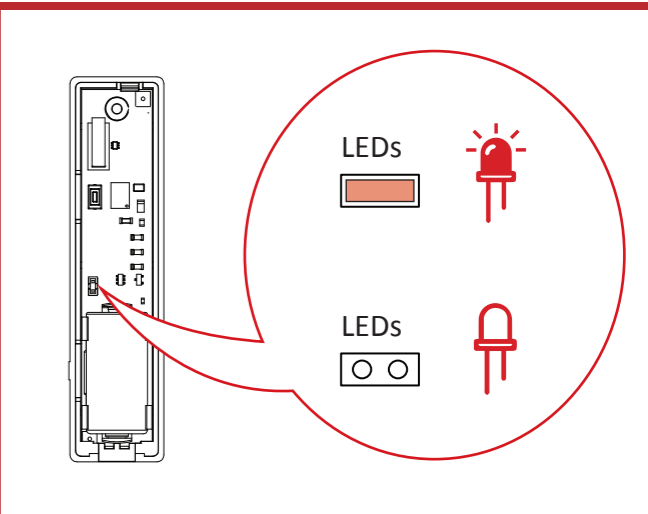
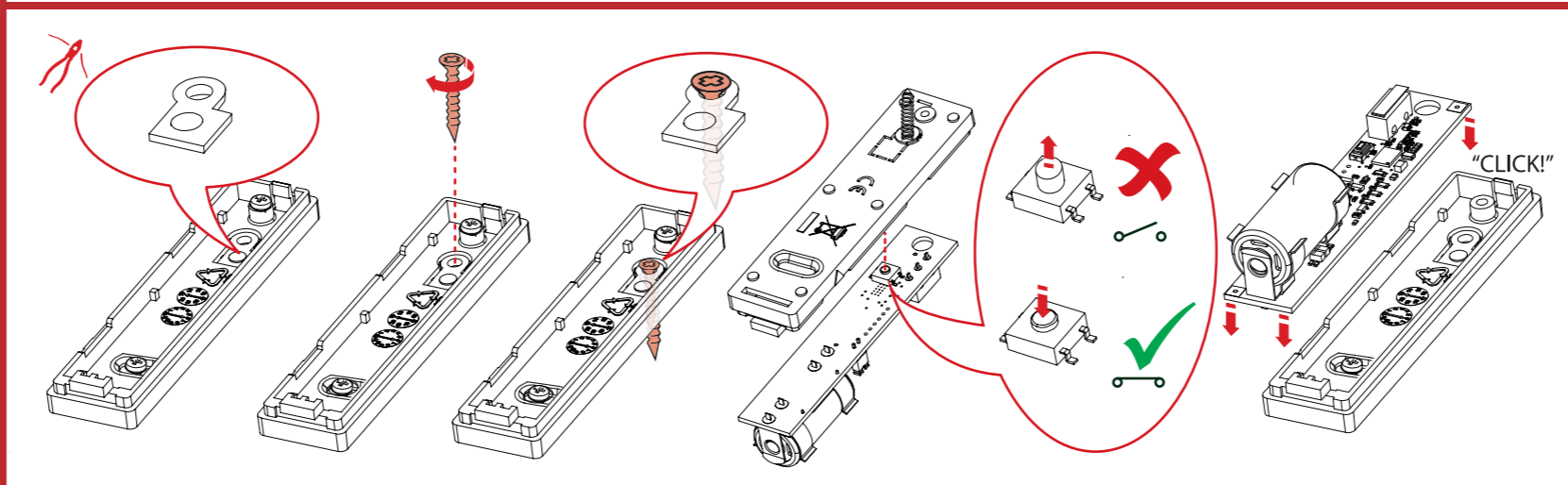
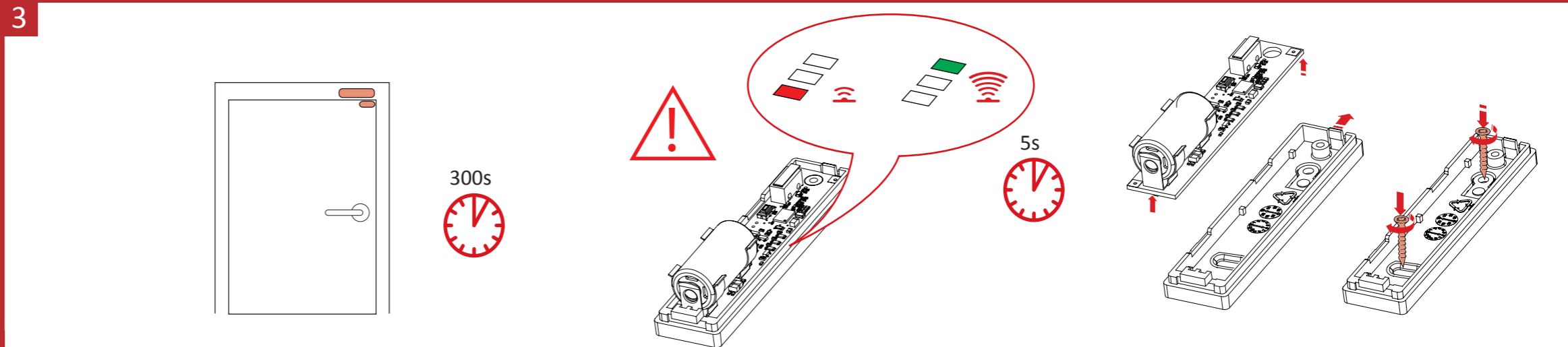
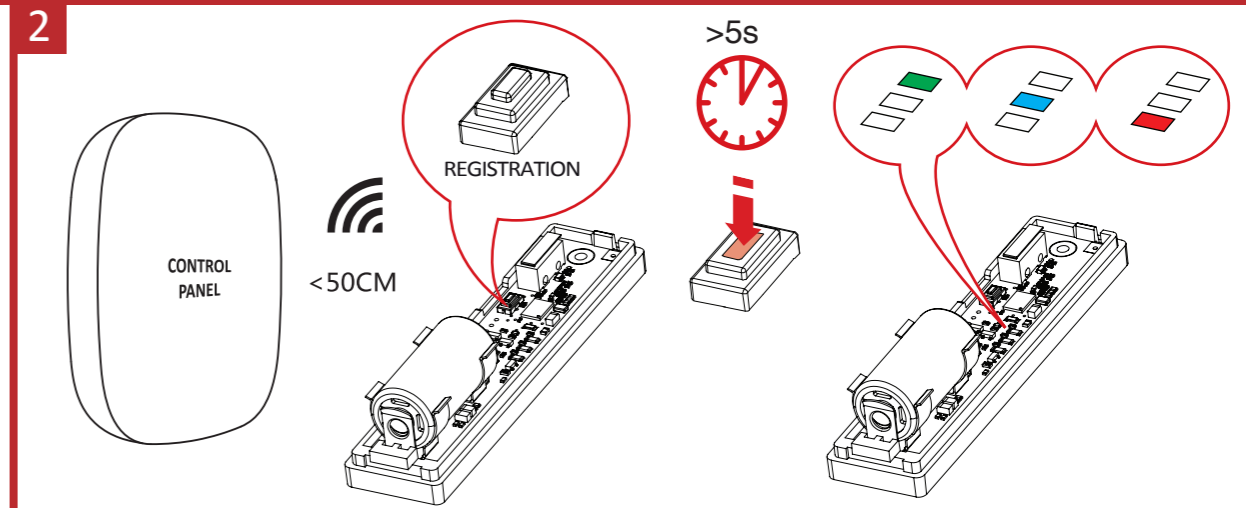
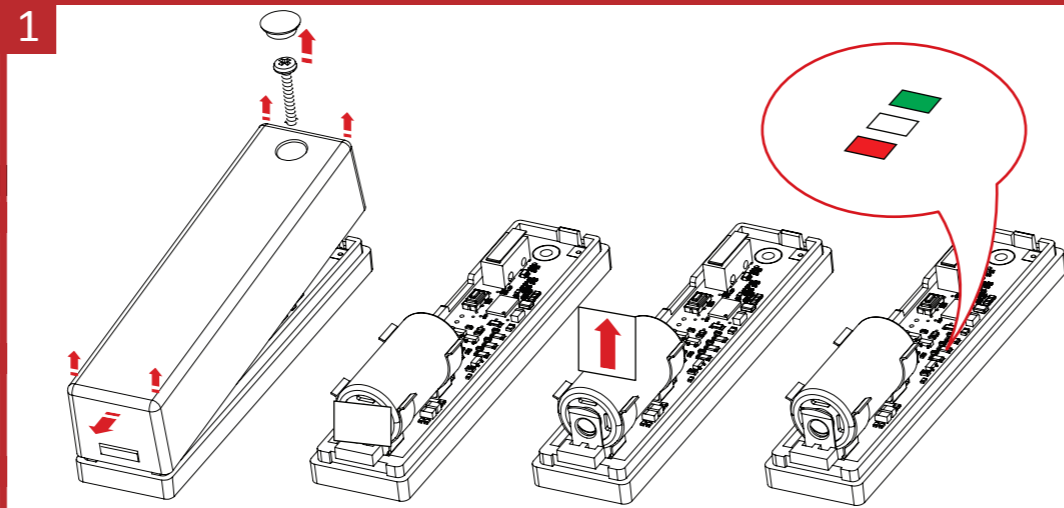
Axes of Operation	Event	Without Nominal Distance		With Nominal Distance (5mm)	
		Distance in Air	Distance in Iron	Distance in Air	Distance in Iron
Z+	Remove	35mm	24mm	32mm	20mm
	Approach	33mm	20mm	30mm	18mm
Z-	Remove	35mm	22mm	32mm	20mm
	Approach	33mm	20mm	30mm	18mm
Y	Remove	24mm	12mm	20mm	7mm
	Approach	22mm	10mm	18mm	5mm
X+	Remove	14mm	13mm	16mm	10mm
	Approach	13mm	12mm	15mm	9mm
X-	Remove	14mm	12mm	14mm	12mm
	Approach	13mm	11mm	13mm	11mm



### Battery Information

The batteries supplied have been chosen to provide long service life whilst, for safety reasons, having limited output current.

The batteries is protected on purchase by a piece of plastic that must be removed for operation. When disposing of the product, the battery must be removed and disposed of separately in accordance with the local regulations.



**CE** This product and - if applicable - the supplied accessories too are marked with "CE" and comply therefore with the applicable harmonized European standards listed under the RE Directive 2014/53/EU, the RoHS Directive 2011/65/EU.

For electrical products sold within the European Community. At the end of the electrical products life, it should not be disposed of with household waste. Please recycle where facilities exist. Check with your local Authority or retailer for recycling advice in your country.

