

Quick Start Guide

TS5000A Series

Applicable Models: TS5000A/ TS5011A/ TS5022A

Version: 1.5

Date: December 2018

Contents

Chapter 1	Preparing	1
Chapter 2	Fixing and Testing.....	1
Chapter 3	Terminal of Control Panel	2
	3.1 Description	2
	3.2 DIP switch configuration.....	2
	3.3 Button board settings.....	3
Chapter 4	Wiring Diagram.....	4
Chapter 5	Troubleshooting	5

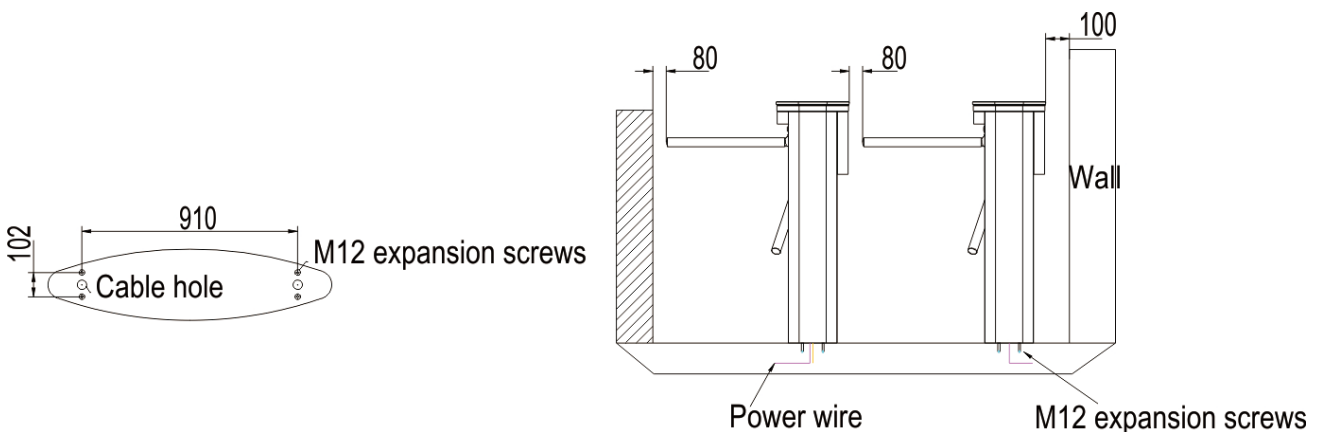
Chapter 1 Preparing

1. Tools: a measuring tape, an adjustable wrench, an impact drill and a small screwdriver (included in the box).
2. Material: a PVC anti-fire and insulation tube (diameter \geq 25mm), standard three-core power extension wire, M12 expansion screw (included in the box).
3. Thread the connection wire of the device through the tube before assembly.
4. The power and signal wires should be set separately to easily distinguish strong and weak power. Please invite a professional personnel to complete the wiring. The device must be connected to the ground.

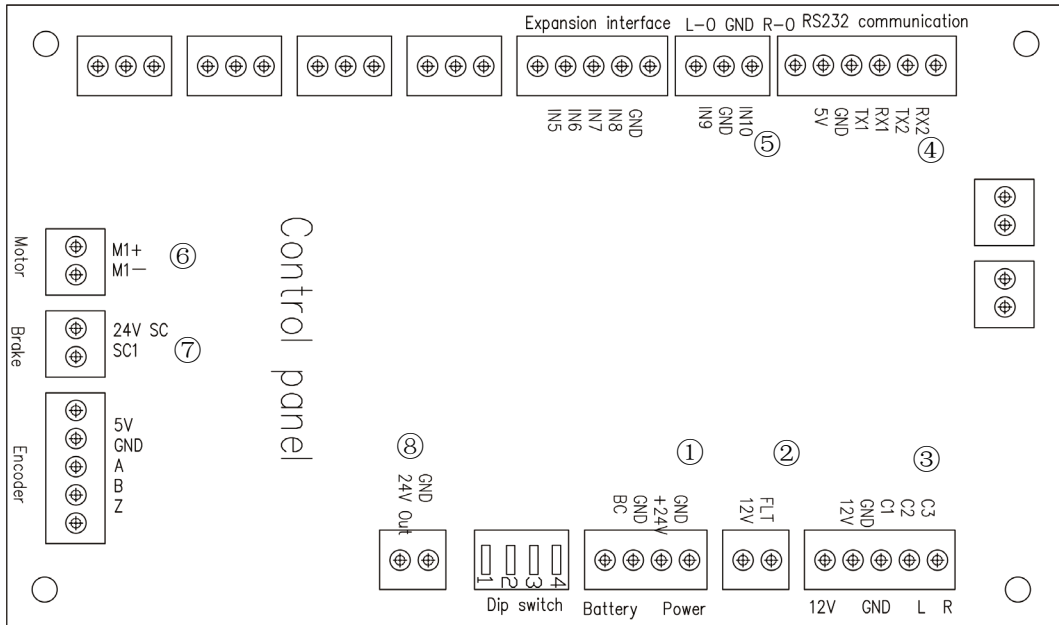
Chapter 2 Fixing and Testing

1. Mark all anchor holes on the floor and drill holes accordingly, then insert the expansion screw into the holes.
2. Pre-fix the device with these expansion screws.
3. Test the operations of the device after connecting it to the power supply with the temporary cable. Make sure that the ground wire of AC power is connected to the body of the device.
4. Turn on the air switch and wait for 10 seconds for self-testing of the device. At the same time, check if the indicators work properly. If everything works fine, fasten the screws and fix the device.

Installation diagram



Chapter 3 Terminal of Control Panel



3.1 Descriptions

1. **System power input:** 24V power input, supply power to the master panel.
2. **Buzzer:** 12V power output, buzzer power supply.
3. **Indicator light:** Power output related to the indicators.
4. **RS232 communication:** Connect to the button board.
5. **L-O GND R-O:** Turnstile open gates signal input.
6. **Motor port:** Connect to the motor to provide power for the motor.
7. **Electromagnetic brake:** Connect the electromagnet inside the machine core, play the role of anti-collision, brake.
8. **Drop arm solenoid:** Drop the turnstile automatically in case of emergency such as a blackout.

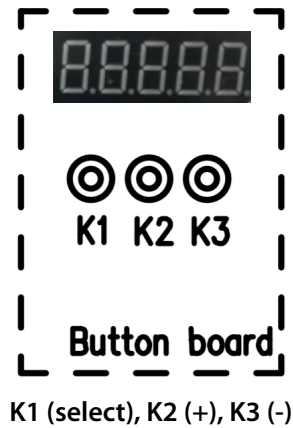
3.2 DIP switch configuration

1. Using the DIP switch to set the working mode of the device.
2. If DIPs "1", "2", "3", "4" are all "OFF", you may set the default position of the arm. If the arms are already in the desired position, switch DIP "1" to "ON". The open mode of the device can be set with the button board.

3. If DIPs "1" and "2" are "ON" and DIPs "3" and "4" are "OFF", the device will be tested automatically.

3.3 Button board settings

Cut off the power, connect the port of button board to RS232 port of the control panel. Power the device up after connection.



A: Open mode

1: Set as "A---0" (card swiping on both left and right); indicators are as shown below:



2: Set as "A---1" (card swiping on the right; free on the left); indicators are as shown below:



3: Set as "A---2" (card swiping on the left; free on the right); indicators are as shown below:



4: Set as "A---3" (free on both left and right); indicators are as shown below:



B: Open duration time (S)

F: Brake angle

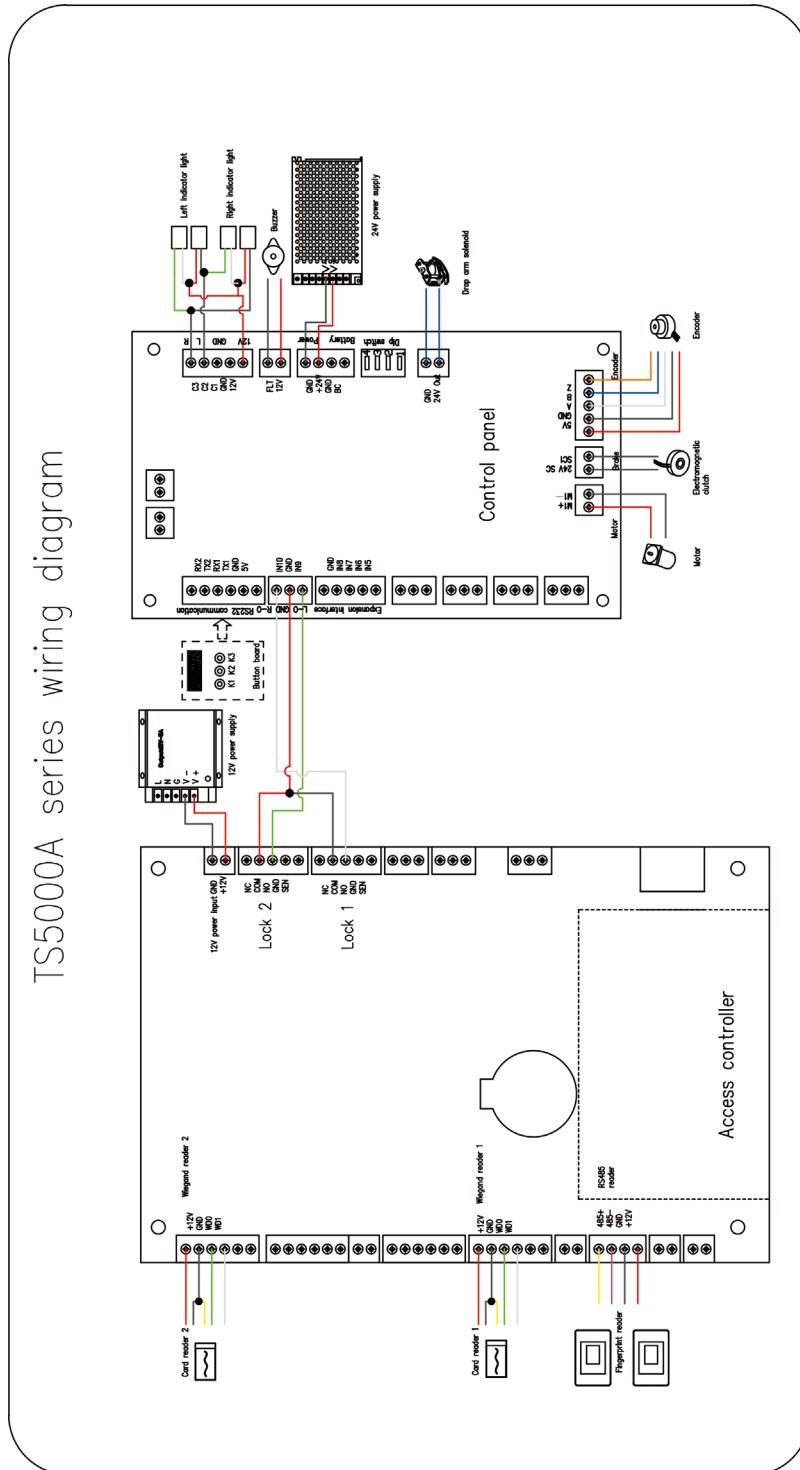
Note: After completion of settings, please press and hold the K1 button for 3 seconds. When the indicator is shown



as the change is effective.

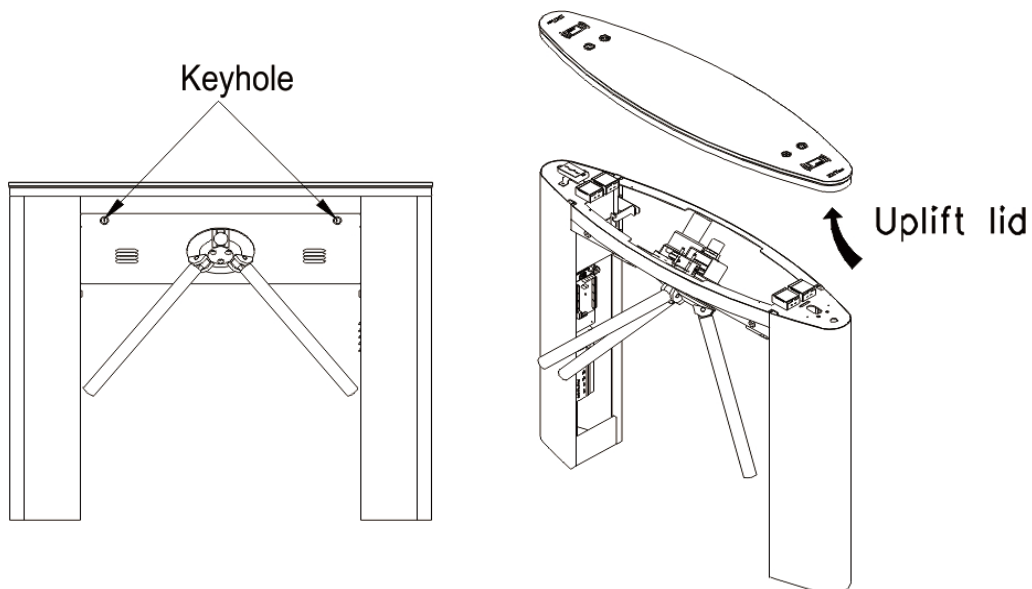
Chapter 4 Wiring Diagram

Wiring diagram of TS5000A



Chapter 5 Troubleshooting

Sr. NO	Descriptions	Solutions
1	Arms are not lifted when the device is powered on or the arms cannot drop when power off.	Check to see if the wiring or the screws is loose.
2	Turnstile's arm is not centering properly.	Please refer to the operation instructions for more information.
3	Indicator lights do not work.	Indicator lights may be broken or the contact is poor. Please open the top lid of the device and check, as shown below:



ZK Building, Wuhe Road, Gangtou, Bantian, Buji Town,
Longgang District, Shenzhen China 518129

Tel: +86 755-89602345

Fax: +86 755-89602394

www.zkteco.com

