

## INDOOR FIRE SIREN

### SUPPLEMENTARY INDOOR SIREN

### MINI DOGE FL24

**Features:**

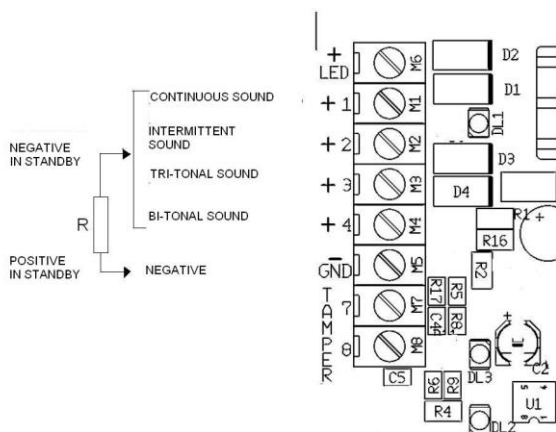
Mini Doge FL24 siren has been conceived for acoustic signaling of fires.

All materials utilized to produce it comply to fire system requirements and the housing is built with fireproof materials.

The siren has to be installed by qualified personnel only, respecting all installation norms and adequate distances and highness to get the best optical and acoustic performances.

**Connection:**

Connect the main output with “polarity inversion” to one of the positive terminals (the siren will perform a particular sound according to the terminal connected) and to negative terminal (see pic 1). Connect the end-of line R resistor between GND and terminal 1 or 2 or 3 or 4. The value of this resistor is indicated in the installation manual of the main.



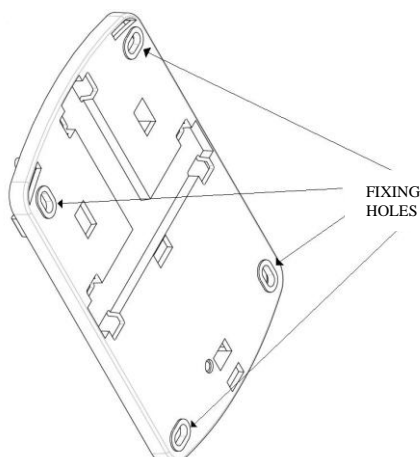
Pic.1

**Installation:**

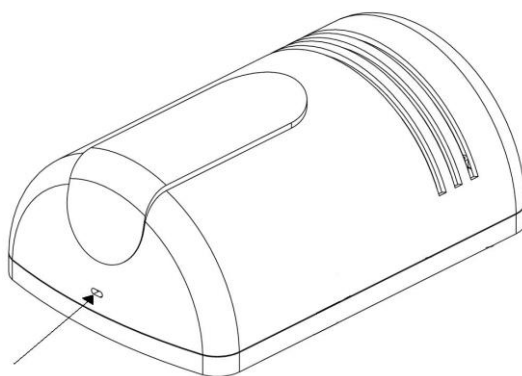
To open the siren insert a screw driver in the hole indicated by the narrow (see pic. 3).

Fix the Mini Doge on the wall through the 4 fixing holes on the siren base (see pic.2).

Use an adapter to connect all cables in case of a system with external tubes.

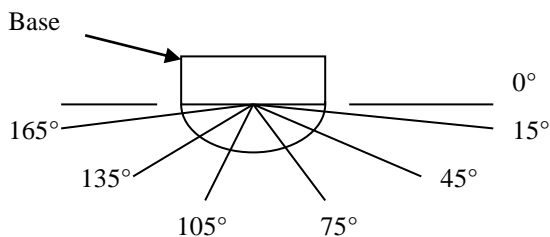


Pic.2



Pic.3

**Sound level:**



Angle	Sound level at 1 m
15°	96 dB(A)
45°	99 dB(A)
75°	101 dB(A)
105°	101 dB(A)
135°	99 dB(A)
165°	96 dB(A)

Tab. 1

**Technical features of the optical-acoustic fire device:**


Nominal power supply tension (Vn)	24 Vd.c. (from 22 Vdc to 28 Vdc)
Max current consumption at Vn	60 mA
Flash	Steady light
Power	1,4 W
Sound Level (standard model)	See tab.1
Protection level	IP41C
Operating temperature	From -10 °C to +55°C
Continuous sound frequency	1800 Hz
Intermittent sound frequency	1900 Hz
Tri-tonal sound frequency	2200 Hz / 1800 Hz / 1500 Hz
Bi-tonal sound frequency	2000 Hz / 3500 Hz
Type A: For indoor use	
<b>EN 54-3</b>	



**WASTING:**  
This product must be wasted in appropriate wheelle-bin for electric and electronic materials.  
Do not put in weelle-bin for other kind of waste.

**Note: if one or more of the above topics are not respected, approval will be not valid anymore.**

Warranty: All Venitem products have 2 year of guarantee. With the aim of improving design and quality of its products, Venitem reserves the right of modify them without any notice. All defective products have to be returned to your own supplier.

 <b>0051</b>
<b>Venitem s.r.l. Via del Lavoro, 10 - 30030 Salzano (VE)</b>  <b>14</b>  <b>0051-CPR-158</b>
<b>EN54-3</b>  <b>Sounder for fire ssystem</b>  <b>TIPE A: for indoor use</b>  <b>Mini doge FL24</b>  <b>Technical data: see manufacturer technical design dossier</b>