

HSM3350 Power Supply Module Installation Instructions

Power Supply

The HSM3350 is a supervised 3 A, 12 VDC power supply module with dual AUX outputs and dual battery backups, which is compatible with PowerSeries Pro panels.

General

This product meets the requirements of Class II, Grade 3 equipment as specified by EN50131-1:2006 + A1:2009, + A2:2017, EN50131-3:2009 Type B, EN50131-6:2017 Type A.

Specifications

- Power supply: Type A as per EN50131-6 Standard.
- Temperature range: -10°C to +55°C (14°F to 131°F); UL/ULC verified operation range: 0°C to +49°C (32°F to 122°F).
- Relative Humidity: 5% to 93% R.H. non-condensing.
- HS65WPSx Supply Ratings: Input 100-240 VAC, 50/60 Hz, Max 1.7 A. Output 18 VDC, 3.6 A Max. Only one board can be powered from a HS65WPSx. Where x = NA for UL/ULC cord connected, NAS for UL/ULC hardwired applications, and none for CE/EN compliant installations.

Note: For EU (CE/EN50131 compliant installations) use the power adapter model HS65WPS. Mount the power adapter inside the cabinet with a fuse block and permanently connect it to the module. To replace the fuse, use the same type (20 mm) rated 250 V / 3.15 A slow blow.

Note: For UL/ULC installations, use the power adapter model HS65WPSNA mounted inside or outside the HSM3350 enclosure. Do not connect the power supply adapter to receptacle controlled by a switch.

- Board current draw: 35 mA (set and unset state/alarm and non-alarm state)
- Board dimensions: 190 mm x 96.5 mm (7.5 in x 3.8 in)
- AUX output ratings:
 - UL / ULC applications: 10.8 - 12.5 VDC / 3 A max
 - EN50131 applications: 10 - 14 VDC / 3 A max
- Output ripple voltage: 600 mVp-p max
- No overvoltage protection devices required on the outputs
- Storage device: rechargeable battery, rated 12 VDC. Replace battery every 3 to 5 years
- Battery capacity: 4 Ah, 7 Ah, or 14 Ah (2 x 7 Ah), 17 Ah or 18 Ah, 34 Ah (2 x 17 Ah), 36 Ah (2 x 18 Ah) max.
- Note:** Use 18 Ah batteries only for NFA2P certified installations.
- Low battery trouble indication threshold 11.6 VDC, restoral level 12.5 VDC
- Corbus (RED terminal) low voltage trouble threshold 6 VDC
- Battery deep discharge protection (cut-off at 9.2 VDC)
- The hardware is ROHS compliant
- The design has an RF Immunity of 10 V/M
- This equipment must be installed by skilled service persons in non-hazardous, indoor locations. The equipment is unsuitable for use outside the supervised premises.
- The voltage at any independent power output below which the power output fault signal or message will be generated : 9.8 Vdc
- Over-voltage protection trigger voltage 16.5 VDC
- The storage device (standby battery) does not automatically recharge when reconnected to the AC mains (EPS), if the battery terminal voltage is less than 9.6 VDC.
- The minimum energy level of the SD in its charged state (as a percentage of the SD rated capacity for the range of SDs that can be used with the PS) is 90% (for 17Ah or 34Ah (2 x 17 Ah) batteries).

Note:

- For EN50131-6: 2008 grade 2 compliant installations, use one 12 V / 17 Ah battery or two 12 V/17 Ah batteries (BAT2 must be enabled) for 12 h of required standby time (1200 mA or 2400 mA output current). Recharge time to 80% is 72 h. Supervision for loss of primary power source (AC Fail), battery fail, or battery low voltage (Battery Trouble) with indication on the keypad.
- For EN50131-6: 2008 Grade 3 compliant installations, use one 12 V / 17 Ah battery or two 12 V/17 Ah batteries (BAT2 must be enabled) for 30 h/60 h of required standby time (500 mA / 250mA or 1000 / 500 mA output current). Recharge time to 80% is 24 h. The charging current must be set to high.
- For T014 (INCERT) compliant installations, use two 12 V / 17 Ah batteries for 24 h of required standby time (1200 mA output current) and the enclosure model HSC3020C (INCERT certified). The charging current must be set to high.

Table 1 : Compatibility

Panel compatibility	HS3032, HS3128, HS3248
Enclosure compatibility	HSC3010C, HSC3010CR, HSC3030CAR, HSC3020C
Connectivity compatibility	Corbus

Terminal Descriptions

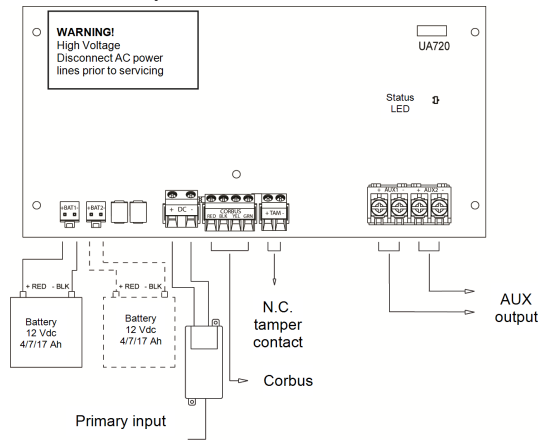


Figure 1: Terminal descriptions

Table 2: Terminal details

Primary Input	UL/ULC applications: 120 VAC/60 Hz, 1.7 A (cord connected). CE/EN50131 applications: 100-240 VAC/50 Hz, 1.7 A (hardwired).
Corbus	Connects to the main control panel communication bus (HS3032, HS3128, HS3248).
N.C. Tamper Contact	To remove the door or cover, or to remove from mounting location, connect N.C. tamper contact to tamper switch installed in the cabinet.
AUX output	Shared with Corbus. Ratings: 3 A max. Supervised.

Note:

- Fire and Security devices that require power from the HSM3350 must be UL/ULC Listed for the intended application and operate over the range 10.5 Vdc - 12.5 Vdc.
- All circuits are classified for UL installations as power limited/Class II power limited, except for the battery leads which are not power limited.
- Do not route any wiring over circuit boards. Maintain at least 1" (25.4 mm) separation.
- A minimum of 1/4" (6.4 mm) separation must be maintained at all points between power limited wiring and all other non-power limited wiring.
- Inspect wiring and ensure connections are correct before applying power.
- Refer to the Installation Manual for proper selection of battery capacity based on the intended application and maximum loading allowed.
- BAT 2 must be enabled in programming.

Table 3: Switching Mode Power Adapter

Model	Listed Installation	Enclosure	Connection	Primary Input	Output
HS65WPSNA	UL/ULC	HSC3010C (inside/outside)	Cord connected to AC mains	120 VAC/50 HZ/1.7 A Max	18 VDC/3.6 A Max
HS65WPSNAS	ULC Commercial Fire, ULC Commercial Burg Security Level IV	HSC3010CR HSC3010C (Inside, use high voltage barrier kit)	Hardwired connection to AC mains	120 VAC/50 HZ / 1.7 A Max	18 VDC/3.6 A Max
HS65WPS	CE/EN50131	HSC3020C	Hardwired connection to AC mains	230 VAC/60 HZ / 1.7 A Max	18 VDC/3.6 A Max

Table 4 : Ratings

HSM3350 PCB current draw = 35 mA	UL Resi Burg ULC Resi Burg	UL COM Burg	UL Resi Fire ULC HH, ULC Resi Fire ULC Com Burg	UL Resi Fire with wired CO Detectors ULC985 6th Ed	UL COM Fire monitoring	EN50131 Grade 2	En50131 Grade 3
Standby	4 h + 4 min 4 h + 5 min	4 h + 15 min	24 h + 4 min 24 h + 5 min	24 h + 4 min +12h CO	24 h + 30 min	12 h	30 h (AC fail)

line and alarm time	24 h + 4 min		Alarm			transmission (required)
Enclosure	HSC3010C	HSC3030CAR	HSC3010C (ULC CB)	HSC3010C	HSC3010CR	HSC3020C
Power supply adapter	HS65WPSNA	HS65WPSNA	Security Level 4) (Require high voltage barrier kit)	HS65WPSNA	HS65WPSNAS	HS65WPS
Battery capacity	4 Ah/700 mA 7 Ah/1200 mA 14 Ah/3000 mA 17 Ah/3000 mA	4 Ah/700 mA 7 Ah/1200 mA 14 Ah/3000 mA 17 Ah/3000 mA	14 Ah /800 mA 17 Ah /800 mA 34 Ah/1200 mA	14 Ah /330 mA 17 Ah /400 mA 34 Ah/800 mA	14 Ah/500 mA 17 Ah/600 mA 34 Ah/2400 mA	17 Ah/500 mA 34 Ah/1000 mA 17 Ah/250 mA 34 Ah/500 mA
Recharging current setting	Low (400 mA) for 4 Ah High (700 mA)	Low (400 mA) for 4 Ah High (700 mA)	High (700 mA)	High (700 mA)	High (700 mA)	Low (400 mA) High (700 mA)

DC - Supervised, the HSM3350 requires 18 VDC/3.6 A power supply module. Connect the primary of the power supply module to an unswitched AC source (maximum current draw is 1.7 A) and connect the secondary of the power supply module (US market only) to these terminals.

TAM - Used to tamper protect the cabinet in which the HSM3350 is mounted. Connect a normally closed (NC) switch across +TAM and -BLK. If the tamper is not being used connect a piece of wire across + TAM and - TAM to remove the trouble condition. Tamper protect is required for UL/ULC/EN commercial/residential burglary installations.

AUX1 - Used to provide power for devices. Maximum current draw is not to exceed 3000 mA. Connect the positive lead of powered devices to +AUX1 and the negative to -AUX1.

AUX2 - Used to provide power for devices. Maximum current draw is not to exceed 3000 mA. Connect the positive lead of powered devices to +AUX2 and the negative to -AUX2.

CORBUS - The 4-wire Corbus connection is used by the panel to communicate with the module. Connect the RED, BLK, YEL and GRN terminals to the Corbus terminals on the HS3032/HS3128/HS3248 alarm.

Note: AUX-1 and AUX-2 can individually provide a current draw of up to 3 A. The combined output on both AUX-1 plus AUX-2 is also 3 A. Do not exceed this amount or the outputs self-protect and switch off.

Note: The HSM3350 is not suitable for fire alarm annunciation.

Enclosures

The HSM3350 can be installed in the metal enclosures listed below. Tamper protection switches can be installed on all enclosures, including door opening protection and/or removal from the mounting position. Doors are secured using screws or keylock.

PowerSeries Pro enclosures :

- Model HSC3010C (hinged door) made of 18 Ga steel, painted white, dimensions 372 mm x 412 mm x 114 mm, weight: 9.75 lb or 4.2 Kg
- Model HSC3010CR (hinged door) made of 18 Ga steel, painted red, dimensions 372 mm x 412 mm x 114 mm, weight: 10.0 lb or 4.5 Kg
- Model HSC3030CAR (hinged door) made of 18 Ga steel (base) and 16 Ga (door), painted white, dimensions 375 mm x 412 mm x 114 mm, weight: 11.45 lb or 5.2 Kg
- Model HSC3020C (removable door) made of 18 Ga steel, painted white, dimensions 459 mm x 414 mm x 103 mm, weight: 4.3 Kg (no batteries)/12Kg (17Ah)/18Kg (34 Ah)

Note: Refer to HS3248/HS3128/HS3032 Reference Manual for details of mounting locations of the power supply board for compatible cabinets.

Battery Setting

A battery charge current setting in the panel is used to enable high charge current for the battery. Normally the battery charge current can be 400 mA max, but when this option is enabled the module can charge the battery with up to 700 mA of current. Section [982] [040] Options land 2 can enable or disable the high current batteries 1 and 2 charge option for HSM3350 modules. Option 3 in this section is used to enable or disable battery 2.

Status LED

The HSM3350 are equipped with status LEDs to indicate the current status of the module. If the HSM3350 is operating correctly, the status LED flashes briefly every 10 seconds. When a trouble condition is present, the status LED displays a series of flashes and remains

blank for 2 seconds. The number of flashes between blank periods indicates the trouble condition present as outlined in Table 2.

Table 5 : Trouble Conditions

Number of Flashes	Trouble Condition
1	Module not enrolled
2	Panel supervision trouble
3	Corbus low voltage
4	Battery trouble
5	AC trouble
6	AUX trouble

Enroll Modules

- Enter Installer Programming [*][8][Installer Code][*].
- Enter section [902] to enroll the module. Modules can be enrolled automatically or manually. In either case, the serial number of the device is used as an identifier. Select one of the enrollment options described below:

000 Auto Enroll

When this mode is selected, the total number of modules currently enrolled are displayed on the keypad. After entering subsection [000], press the [*] key to begin auto enrollment of all new modules. Devices are assigned in numerical order.

001 Manual Enroll

- After entering Installer Programming and section [902], enter subsection 001.
- When prompted, key in the serial number of the module, which is found on the back of the device. An error tone is sounded if an invalid serial number is received. Modules are enrolled into the next available slot for the device.
- To cancel enrollment of a module, press [#].

Deleting Modules

- Enter Installer Programming [*][8][Installer Code][*].
- Enter section [902] then subsection [111] for HSM3350.
- Scroll to the specific module you want to delete.
- Press [*] to select the module then, when prompted, press [*] again to delete.

Confirming Modules

To confirm enrollment of individual modules and to locate them physically, complete the following steps:

- After entering section [903], scroll to the module type you want to confirm (111 for HSM3350). To view all modules, enter [000] after entering section [903].
- Press [*] to select the module type then scroll to the specific module you want to confirm.
- Press [*] to enter confirmation mode. The module's serial number and slot number are displayed on the keypad and the status LEDs on the device flash. This continues until confirmation mode for the device is exited using the [#] key.

Mounting

- Install the wire through the wall for mounting.
- Attach the mounting bracket to the wall in the position you want with mounting hardware. If mounting on drywall, mark the four installation points, remove the mounting plate and install the drywall inserts.
- Insert the module into the mounting bracket.
- Fasten the module to the mounting bracket.

Limited Warranty

Digital Security Controls (DSC) warrants that for a period of twelve months from the date of purchase, the product shall be free of defects in materials and workmanship under normal use and that in fulfillment of any such warranty, DSC shall, at its option, repair or replace the defective equipment upon arrival at the equipment to its factory. This warranty applies only to defects in parts and workmanship and not to damage incurred in shipping or handling, or damage due to causes beyond the control of DSC such as lightning, excessive voltage, mechanical shock, water damage, or damage arising out of abuse, alteration or improper application of the equipment. This foregoing warranty shall apply only to the original buyer, and shall be in lieu of any and all other warranties, whether expressed or implied and of all other obligations or liabilities on the part of DSC. This warranty cannot be transferred. Digital Security Controls neither assumes responsibility for, nor authorizes any other person purporting to act on its behalf to modify or to change this warranty, nor to assume for it any other warranty or liability concerning this product. In no event shall DSC be liable for any direct or indirect or consequential damages, loss of anticipated profits, loss of time or any other losses incurred by the buyer, in connection with the purchase, installation or operation, or failure of this product. Warning: Digital Security Controls recommends that the entire system be completely tested and on a regular basis. However, despite frequent testing and due to the nature of the equipment, it is possible for this product to fail to perform as expected. LIMITED WARRANTY - PLEASE READ CAREFULLY - DSC SOFTWARE PRODUCT IS A SOFTWARE PRODUCT AND COMPONENT IS COPYRIGHTED AND IS PURCHASED UNDER THE FOLLOWING LICENSE TERMS: This End User License Agreement ("EULA") is a legal agreement between you (you're the company, individual or entity who acquired the Software and any related hardware) and Digital Security Controls, a division of Tyco Security Products Company Ltd. ("DSC"), the manufacturer of the integrated security systems and the developer of the software and any related products or components ("HARDWARE") which you acquired ("SOFTWARE PRODUCT" or "SOFTWARE"). This SOFTWARE PRODUCT is intended to be accompanied by HARDWARE, and is NOT accompanied by new HARDWARE. You may not use, copy or install the SOFTWARE PRODUCT. The SOFTWARE PRODUCT includes computer software, and may include associated media, printed materials, and "online" documentation. Any software provided along with the SOFTWARE PRODUCT that is associated with separate end-user license agreements is licensed to you under the terms of that license agreement. By installing, copying, downloading, storing, accessing or otherwise using the SOFTWARE PRODUCT, you agree unconditionally to be bound by the terms of this EULA, even if this EULA is deemed to be a modification of any previous agreement or contract. If you do not agree to the terms of this EULA, DSC is unwilling to license the SOFTWARE PRODUCT to you and you have no right to use it.

SOFTWARE PRODUCT LICENSE

The SOFTWARE PRODUCT is protected by copyright laws and/or international copyright treaties, as well as other intellectual property laws and treaties. The SOFTWARE PRODUCT is licensed, not sold. 1. GRANT OF LICENSE: This EULA grants you the following rights: (a) Software is installed and used. For each license you acquire, you may have only one copy of the SOFTWARE PRODUCT installed. (b) Single user/Work Use - The SOFTWARE PRODUCT may not be installed, accessed, displayed, run, shared or used concurrently on or from different computers, including workstation, terminal or other digital electronic device ("Device"). In other words, if you have several workstations, you will have to acquire a license for each workstation when the SOFTWARE PRODUCT is used.



©2018 Tyco Security Products
www.dsc.com Tech. Support: 1-800-387-3630



(c) Backup Copy - You may make back-up copies of the SOFTWARE PRODUCT, but You may only have one copy per license installed at any given time. You may use the back-up copy solely for archival purposes. Except as expressly provided in this EULA, You may not alter any marks of the SOFTWARE PRODUCT, including the printed materials accompanying the SOFTWARE.

2. DESCRIPTION OF OTHER RIGHTS AND LIMITATIONS

(a) Limitations on Reverse Engineering, Decompilation and Disassembly - You may not reverse engineer, decompile, or disassemble the SOFTWARE PRODUCT, except and only to the extent that such activity is expressly permitted by applicable law notwithstanding this limitation. You may not make any changes or modifications to the software without the written permission of our licensor. You may not remove any proprietary notices, marks or labels from the software product. You shall install a reasonable measures to ensure a complete and secure use of this EULA. (b) Separation of Components - The SOFTWARE PRODUCT is licensed as a single product. Its component parts may not be separated for use on more than one hardware unit.

(c) Single INTEGRATED PRODUCT - If you acquired this SOFTWARE with HARDWARE, then the SOFTWARE PRODUCT is licensed with the HARDWARE as a single integrated product. In this case, the SOFTWARE PRODUCT may only be used with the HARDWARE as set forth in this EULA.

(d) Rent - You may not rent, lease or lend the SOFTWARE PRODUCT. All titles and intellectual property rights in and to the content which may be accessed through the use of the SOFTWARE PRODUCT are the property of the respective content owner and may be protected by applicable copyright or other intellectual property laws and treaties. This EULA grants you the right to use such content. All right such as copyright and other rights in and to the content are reserved by DSC and its suppliers. EXPORT RESTRICTIONS - You agree that You will not export or re-export the SOFTWARE PRODUCT to any country, person, or entity subject to Canadian export restrictions.

(f) Termination - Without prejudice to any other rights, DSC may terminate this EULA if You fail to comply with the terms and conditions of this EULA. In such event, You must destroy all copies of the SOFTWARE PRODUCT and all of its component parts.

(g) Patents - This EULA does not grant You any rights in connection with any patents or service marks of DSC or its suppliers.

3. COPYRIGHT - All title and intellectual property rights in and to the SOFTWARE PRODUCT (including but not limited to, any images, photographs, and text incorporated into the SOFTWARE PRODUCT), the accompanying printed materials, and any copies of the SOFTWARE PRODUCT, or owned by DSC or its suppliers. You may not copy the printed materials accompanying the SOFTWARE PRODUCT. All titles and intellectual property rights in and to the content which may be accessed through the use of the SOFTWARE PRODUCT are the property of the respective content owner and may be protected by applicable copyright or other intellectual property laws and treaties. This EULA grants you the right to use such content. All right such as copyright and other rights in and to the content are reserved by DSC and its suppliers. EXPORT RESTRICTIONS - You agree that You will not export or re-export the SOFTWARE PRODUCT to any country, person, or entity subject to Canadian export restrictions.

5. CHOICE OF LAW - This Software License Agreement is governed by the laws of the Province of Ontario, Canada.

6. ARBITRATION - All disputes arising in connection with this Agreement shall be determined by final and binding arbitration in accordance with the Arbitration Act, and the parties agree to be bound by the arbitrator's decision. The place of arbitration shall be Toronto, Canada, and the language of the arbitration shall be English.

LIMITED WARRANTY
(a) NO WARRANTY - DSC PROVIDES THE SOFTWARE "AS-IS" WITHOUT WARRANTY. DSC DOES NOT WARRANT THAT THE SOFTWARE WILL MEET YOUR REQUIREMENTS OR THAT OPERATION OF THE SOFTWARE WILL BE UNINTERRUPTED OR ERROR-FREE.
(b) CHANGES IN OPERATING ENVIRONMENT - DSC SHALL BE RESPONSIBLE FOR PROBLEMS OR CHANGES IN THE OPERATING CHARACTERISTICS OF THE HARDWARE, OR FOR PROBLEMS IN THE OPERATION OF THE SOFTWARE PRODUCT, WITH NON-DSC SOFTWARE OR HARDWARE PRODUCTS.
(c) LIMITATION OF LIABILITY, WARRANTY REFLECTS ALLOCATION OF RISK - IN ANY EVENT, IF ANY STATUTE IMPLIES WARRANTIES OR CONDITIONS NOT PROVIDED IN THIS LICENSE AGREEMENT, DSCS ENTIRE LIABILITY UNDER ANY PROVISION OF THIS LICENSE AGREEMENT SHALL BE LIMITED TO THE GREATER OF THE AMOUNT ACTUALLY PAID BY YOU TO LICENSE THE SOFTWARE PRODUCT AND FIVE CANADIAN DOLLARS (CAD\$500), BECAUSE SOME JURISDICTIONS DO NOT ALLOW THE EXCLUSION OR LIMITATION OF LIABILITY FOR CONSEQUENTIAL OR INCIDENTAL DAMAGES, THE ABOVE LIMITATION MAY NOT APPLY TO YOU.

(d) DISCLAIMER OF WARRANTIES - THIS WARRANTY CONTAINS THE ENTIRE WARRANTY AND SHALL BE IN LIEU OF ANY AND ALL OTHER WARRANTIES, WHETHER EXPRESSED OR IMPLIED (INCLUDING ALL IMPLIED WARRANTIES OF MERCHANTABILITY OR FITNESS FOR A PARTICULAR PURPOSE) AND OF ALL OTHER OBLIGATIONS OR LIABILITIES ON THE PART OF DSC. DSC MAKES NO OTHER WARRANTIES. DSC NEITHER ASSUMES NOR AUTHORIZES ANY OTHER PERSON PURPORTING TO ACT ON ITS BEHALF TO MODIFY OR TO CHANGE THIS WARRANTY, NOR TO ASSUME FOR IT ANY OTHER WARRANTY OR LIABILITY CONCERNING THE SOFTWARE PRODUCT.

(e) EXCLUSIVE REMEDY AND LIMITATION OF WARRANTY - UNDER NO CIRCUMSTANCES SHALL DSC BE LIABLE FOR ANY SPECIAL, INCIDENTAL, CONSEQUENTIAL OR INDIRECT DAMAGES BASED UPON BREACH OF WARRANTY, BREACH OF CONTRACT, NEGLIGENCE, STRICT LIABILITY, OR ANY OTHER LEGAL THEORY, SUCH AS DAMAGES INCLUDE, BUT ARE NOT LIMITED TO, LOSS OF PROFITS, LOSS OF THE SOFTWARE PRODUCT OR ANY ASSOCIATED EQUIPMENT, COST OF CAPITAL, COST OF SUBSTITUTE OR RENTAL EQUIPMENT, FACILITIES, OR SERVICES, DOWN TIME, PURCHASES TO MEET THE CLAIMS OF THIRD PARTIES, INCLUDING CUSTOMERS, AND INJURY TO PROPERTY. WARNING: DSC recommends that the system be completed by a tested and a regular basis. However, despite a frequent testing and due to, but not limited to, criminal tampering or electrical disruption, it is possible for this SOFTWARE PRODUCT to fail to perform as expected.

FCC COMPLIANCE STATEMENT

CAUTION: Changes or modifications not expressly approved by Digital Security Controls could void your authority to use this equipment.

This equipment generates and uses radio frequency energy and if not installed and used properly, in strict accordance with the manufacturer's instructions, may cause interference to a radio or television reception. It has been type tested and found to comply with the limits for Class B devices in accordance with the specifications in Subpart B of Part 15 of FCC Rules, which are designed to provide reasonable protection against such interference in any residential installation. However, there is no guarantee that interference will not occur in a particular installation. If this equipment does cause interference to television or radio reception, which can be determined by turning the equipment off and on, the user is encouraged to try to correct the interference by one or more of the following measures:

• Re-orient the receiving antenna.
• Move the alarm control with respect to the receiver.
• Move the alarm control away from the receiver.
• Connect the alarm control on a different outlet so that alarm control and receiver are on different circuits.
If necessary, the user should consult the dealer or an experienced radio/television technician for additional suggestions. The user may find the following booklet prepared by the FCC useful: "How to Identify and Resolve Radio/Television Interference Problems". This booklet is available from the U.S. Government Printing Office, Washington D. C. 20402, Stock # 004-000-00345-4.

Industry Canada

EN I CES-3(B) (NMB-3(B))

EM CERTIFICATION

The Model HSM3350 Power supplies have been certified under CERTA LARM by Telecommunication according to EN 50131-1:2006 + A1:2009 + A2:2017 and EN 50131-6:2017, for Grade 3 Class II, Type A, when installed in HSC3020C enclosure.

Instructions d'installation du module d'alimentation HSM3350
Alimentation électrique
Le HSM3350 est un module d'alimentation supervisé 3 A, 12 V CC avec deux sorties AUT et deux batteries de secours, qui est compatible avec centrales PowerSeries Pro.
Généralités
Ce produit répond aux exigences d'un équipement de classe II, grade 3, conformément aux normes EN50131-1:2006 + A1:2009, + A.2:2017, EN50131-3:2009 Type B, EN50131-6:2017 Type A.
Caractéristiques
<ul style="list-style-type: none">Alimentation électrique de type A selon la norme EN50131-6. Plage de température : de -10 °C à 55 °C (de 14 °F à 131 °F); plage de fonctionnement homologué UL/ULC : de 0 °C à 49 °C (de 32 °F à 122 °F). Taux d'humidité relative : de 5 % à 93 % sans condensation. Alimentation HS65WPSx : entrée 100-240 V CA, 50/60 Hz 1,7 A max. Sortie 18 V CC 3,6 A max. Une seule carte peut être alimentée par une alimentation HS65WPSx. Où x = NA pour les connexions à cordon UL/ULC, NAS pour les applications câblées UL/ULC, et rien pour les installations conformes CE/EN.
Remarque:
<ul style="list-style-type: none">Pour l'UE (installations conformes CE/EN50131), utilisez le module d'adaptateur d'alimentation HS65WPS. Montez le module d'adaptateur d'alimentation à l'intérieur de la boîte avec un bloc de fusibles et branchez-le de manière permanente au module. Pour remplacer le fusible, utilisez le même type de fusible temporisé (20 mm) 250 V / 3,15 A. Pour les installations UL/ULC, utilisez le modèle d'adaptateur d'alimentation HS65WPSNA monté à l'intérieur ou à l'extérieur de la boîte HSM3350.

Remarque: Pour les installations homologuées UL/ULC, ne branchez pas l'adaptateur d'alimentation à un réceptacle contrôlé par un interrupteur.

- Courant absorbé par la carte : 35 mA (position branchée et débranchée/condition d'alarme ou sans alarme).
- Dimensions de la carte : 190 mm x 96,5 mm
- Tensions de sortie AUX :
 - UL/ULC applications: 10,8 - 12,5 VDC - 15% / 3 A max
 - EN50131 applications: 10-14 VDC / 3 A max.
- Tension d'ondulation de sortie : 600 mVp-p max.
- Aucun dispositif de protection contre la surtension nécessaire sur les sorties
- Dispositif de stockage : batterie rechargeable, tension nominale 12 V CC. Remplacez la batterie tous les 3 à 5 ans
- Capacité de la batterie : 4 Ah, 7 Ah ou 14 Ah (2 x 7 Ah), 17 Ah ou 18 Ah, 34 Ah (2 x 17 Ah), 36 Ah (2 x 18 Ah) max.

- Remarque:** Utilisez des batteries 18 Ah uniquement pour les installations certifiées NF A2P.
- Seuil d'indication de problème batterie faible 11,6 V CC, niveau de restauration 12,5 V CC
- Seuil de problème tension faible Corbus (borne ROUGE) 6 V CC
- Protection de décharge complète de batterie (Coupure à 9,2 VCC)
- Le matériel est compatible ROHS
- La conception présente une immunité aux RF de 10 V/M
- Cet équipement doit être installé par des agents de service qualifiés dans des zones non dangereuses et à l'intérieur. L'utilisation de cet équipement hors des locaux supervisés n'est pas recommandée.

- La tension de toute sortie d'alimentation indépendante en dessous de laquelle le signal ou le message de défaut d'alimentation électrique sera généré : 9,8 V cc
- Tension de déclenchement de la protection de surtension 16,5 V CC
- Le périphérique de stockage (batterie de secours) ne se recharge pas automatiquement pendant le rebranchement à l'alimentation secteur (EPS), si la tension aux bornes de la batterie est inférieure à 9,6 V CC.
- Le niveau d'énergie minimal du périphérique de stockage dans son état de charge (comme pourcentage de la capacité nominale du périphérique de stockage pour la plage des périphériques de stockage qui peuvent être utilisés avec le bloc d'alimentation) est de 90 % (pour les batteries 17 Ah ou 34 Ah (2 x 17 Ah) batteries).

Remarque:

- Pour les installations conformes EN50131-6: 2008 grade 2, utilisez une batterie 12 V/17 Ah ou deux batteries 12 V/17 Ah (BAT2 doit être activé) pour 12 h d'autonomie en veille requise (courant de sortie de 1 200 mA ou 2 400 mA).
- Le temps de recharge à 80 % est de 72 h. Supervision pour perte de source d'alimentation principale (panne secteur), panne de batterie, ou tension de batterie faible (problème batterie) avec indication sur le clavier.
- Pour les installations conformes EN50131-6: 2008 grade 3, utilisez une batterie 12 V/17 Ah ou deux batteries 12 V/17 Ah (BAT2 doit être activé) pour 30 h / 60 h d'autonomie en veille requise (courant de sortie de 500 mA / 250 mA / 1000 mA / 500 mA).
- Le temps de recharge à 80 % est de 24 h. Le courant de charge doit être réglé sur « élevé ».
- Pour les installations conformes T014 (INCERT), utilisez deux batteries 12 V/17 Ah pour 24 h d'autonomie en veille requise (courant de sortie 1200 mA) et le modèle les boîtiers HSC3020C (certifié INCERT). Le courant de charge doit être réglé sur « élevé ».

Tableau 1 : Compatibilité

Centrales compatibles	HS3032, HS3128, HS3248
Boîtiers compatibles	HSC3010C, HSC3010CR, HSC3030CAR, HSC3020C
Connectique compatible	Corbus

Descriptions des bornes

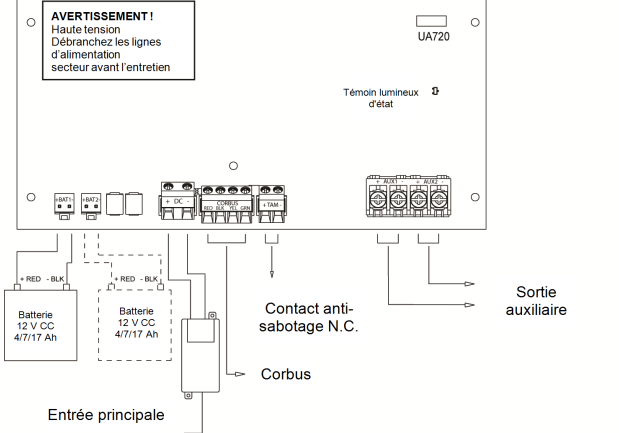


Figure 1 : Descriptions des bornes

Pour les systèmes certifiés NF A2P il est nécessaire d'installer Model HSM3350 dans la boîte métallique HSC3020C.

La marque et référence des batteries de secours pour la conformité NF A2P:Energy Power, Model EPW 12V18FR 12V/18Ah.

Pour installation 3 boucliers le courant de décharge maximum est: 500mA/1000mA (30h) et 250mA/500mA (60h) et le courant d'alarme maximum est: 700mA.

Pour installation 2 boucliers le courant de décharge maximum est: 450mA/900mA et le courant d'alarme maximum est: 700mA.

Table 2 : Détails des bornes	
Entrée principale	Applications UL/ULC : 120 V CA/60 Hz, 1,7 A (connexion à cordon).
	Applications CE/EN50131 : 100-240 VAC/50 Hz, 1,7 A (câblé).
Corbus	Se branche au bus de communication principal de la centrale (HS3032, HS3128, HS3248).
Contact anti-sabotage N.C.	Pour retirer la porte ou le couvercle, ou pour le retirer de l'emplacement de montage, branchez le contact anti-sabotage N.C. au commutateur anti-sabotage installé dans le boîtier.
Sortie auxiliaire	Partagée avec Corbus. Tensions nominales : 3 A max. Supervisé.

Remarque :

- les dispositifs d'incendie et de sécurité qui nécessite l'alimentation du HSM3350 doivent être homologués UL/ULC pour l'application prévue et fonctionner dans la plage 10,5 V CC - 12,5 V CC.
- Tous les circuits sont classés pour les installations UL comme à puissance limitée/puissance limitée de classe II, à l'exception des conducteurs de la batterie qui ne sont pas à puissance limitée.
- Ne pas faire passer des câbles au-dessus de la carte de circuit imprimé. Gardez une séparation d'au moins 25,4 mm.
- Un espace de séparation de 6,4mm (¼") minimum doit être respecté à tous les points entre le câblage à puissance limitée et tous les autres câblages à puissance non limitée.
- Vérifiez le câblage et assurez-vous que les connexions sont correctes avant d'appliquer l'alimentation.
- Consultez le manuel d'installation pour sélectionner une batterie de capacité adéquate en fonction de l'application prévue et de la charge maximale autorisée.
- BAT 2 doit être activé dans la programmation.

Tableau 3 : Adaptateur d'alimentation du mode de commutation

Modèle	Installation homologuée	Boîtiers	Connexion	Entrée principale	Sortie
HS65WPSN-A	UL/ULC	HSC3010C (intérieur/extérieur)	Cordon branché à une prise secteur	120 V CA/50 HZ/1-7 A max.	18 V CC/3,6-A max.
HS65WPSN-AS	Anti-incendie com-	HSC3010CR HSC3010C	Connexion câblée au	120 V CA/50 HZ / 1,7 A max.	18 V CC/3,6-A max.

	mercial ULC, anti-intrusion commerciale ULC sécurité niveau IV	(intérieur, utiliser un kit de barrière haute tension)	secteur		
HS65WPS	CE/EN501-31	HSC3020C	Connexion câblée au secteur	230 V CA/60 HZ / 1,7 A max.	18 V CC/3,6-A max.

Tableau 4 : Tensions nominales

HSM3350 Courant consommé par le circuit imprimé= 35 mA	Intrus.résid. ULC	ULCOM	IncendieR.évid. UL	Incendie R.évid.UL	UL COM	EN50131	En50131
	Intrus.résid. ULC	Intrus.Comm. UL	Incendie.résid. UL,HH,ULC	Incendie R.évid.UL avec détecteurs de gaz/CO fibres UL985 6e.d.	Surveillance anti-incendie commerciale UL	Grade 2	Grade 3
Autonomie en veille et autonomie d'alarme	4 h + 4 min 4 h + 5 min	4 h + 15 min	24 h + 4 min 24 h + 5 min 24 h + 4 min	24 h + 4 min + 12 h alarme de gaz/CO	24 h + 30 min	12 h	30 h (transmission de panne secteur transmission) 60 h
Boîtiers	HSC3010C	HSC3030CAR	HSC3010C HSC3020C (ULC CB)	HSC3010C	HSC3010CR	HSC3020C	HSC3020C
Adaptateur d'alimentation	HS65 WPSNA	HS65 WPSNA	HS65 WPSNA (Niveau de sécurité4 ULC CB)	HS65 WPSNA	HS65 WPSNA	HS65 WPS	HS65 WPS
Capacité de la batterie (charge maximale)	4 Ah/700 mA 7 Ah/1200 mA 14 Ah/3000 mA	4 Ah/700 mA 7 Ah/1200 mA 14 Ah/3000 mA	14 Ah/300 mA 17 Ah/600 mA 34 Ah/1200 mA	14 Ah/330 mA 17 Ah/400 mA 34 Ah/800 mA	14 Ah/500 mA 17 Ah/600 mA 34 Ah/1200 mA	17 Ah/1200 mA 34 Ah/2400 mA	17 Ah/500 mA 34 Ah/1000 mA 17 Ah/250 mA 34 Ah/500 mA
Régulation de courant de recharge	Faible(400 mA) pour 4Ah Élevé (700 mA)	Faible(400 mA) pour 4Ah Élevé (700 mA)	Élevé(700 mA)	Élevé (700 mA)	Élevé (700 mA)	Faible (400 mA)	Élevé (700 mA)

CC - Supervisé, le HSM3350 nécessite un module d'alimentation 18 V CC/3,6 A. Branchez le primaire du module d'alimentation à une source secteur non commutée (courant consommé maximal 1,7 A) et branchez le secondaire du module d'alimentation (marché américain uniquement) à ces bornes.

TAM - Utilisé pour protéger le boîtier dans laquelle le HSM3350 est installé. Branchez un contact normalement fermé (NF) entre les bornes +TAM et -BLK. Si l'anti-sabotage n'est pas utilisé, mettez en court-circuit les bornes +TAM et -TAM pour corriger la défaillance. La protection anti-sabotage est obligatoire pour les installations anti-intrusion commerciales/résidentielles UL/ULC/EN.

AUX1 - Permet d'alimenter des appareils. Le courant maximal absorbé ne doit pas dépasser 3000 mA. Branchez le fil positif des appareils alimentés à +AUX1 et le négatif à -AUX1.

AUX2 - Permet d'alimenter des appareils. Le courant maximal absorbé ne doit pas dépasser 3000 mA. Branchez le fil positif des appareils alimentés à +AUX2 et le négatif à -AUX2.

CORBUS - La connexion Corbus à 4 fils est utilisée par la centrale pour communiquer avec le module. Branchez les bornes RED, BLK, YEL et GRN aux bornes Corbus de la centrale HS3032, HS3128, HS3248.

Note: AUX-1 et AUX-2 peuvent fournir individuellement un courant maximal de 3 A. La sortie combinée de AUX-1 plus AUX-2 est également de 3 A. Ne dépassez pas cette valeur, ou les sorties s'éteindront pour se protéger.



©2018 Tyco Security Products

www.dsc.com Tech. Support: 1-

800-387-3630



prorrogar os direitos do contido e podem ser protegidos por direitos autorais aplicáveis ou outras legislações e tratados de propriedade intelectual. Este EULA não confere ao usuário quaisquer direitos para uso desse conteúdo. A DSC e seus fornecedores reservam-se todos os direitos não expressamente conferidos ao abrigo deste EULA.

4. RESTRIÇÕES À EXPORTAÇÃO — O usuário concorda que não exportará ou reexportará o PRODUTO DE SOFTWARE para qualquer país, pessoa ou entidade sujeita às restrições da exportação pelo Canadá.

5. LEGISLAÇÃO APLICÁVEL — Este Contrato de Licença de Software é regido pelas leis da Província de Ontário, Canadá.

6. ARBITRAGEM — Todos os conflitos que surgirem relativos a este Contrato e seu desempenho serão resolvidos por arbitragem final e vinculativa de acordo com a Arbitration Act (Lei de Arbitragem), e as partes concordam em serem submetidas à decisão arbitral. O local designado para a arbitragem será Toronto, no Canadá, e a língua da arbitragem será o inglês.

GARANTIA LIMITADA

(a) SEM GARANTIA — A DSC FORNECE O SOFTWARE "TAL COMO ESTÁ", SEM GARANTIA. A DSC NÃO GARANTE QUE O SOFTWARE CUMPRIRÁ SEUS REQUISITOS OU QUE O FUNCIONAMENTO DO SOFTWARE SEJA ININTERRUPTO OU LIVRE DE ERROS.

(b) ALTERAÇÕES NO AMBIENTE OPERACIONAL — A DSC não se responsabiliza por problemas causados por alterações às características operacionais do HARDWARE, ou por problemas no ambiente do PRODUTO DE SOFTWARE, com PRODUTOS DE SOFTWARE ou HARDWARE que não sejam produzidos pela DSC. (c) LIMITAÇÕES DE RESPONSABILIDADE — A GARANTIA REFLETE A DISTRIBUIÇÃO DO RISCO — EM QUALQUER CASO, SE ALGUMESTATUTO IMPLICAR GARANTIAS OU CONDIÇÕES NÃO MENCIONADAS NESTE CONTRATO DE LICENÇA, A RESPONSABILIDADE TOTAL DA DSC NÃO SERÁ SUPERADO VALOR EFETIVAMENTE PAGO PELO USUÁRIO PELA LICENÇA DESTE PRODUTO DE SOFTWARE E CINCO DÓLARES CANADENSES (CAD \$5,00), COMO ALGUMAS JURISDIÇÕES NÃO PERMITEM A EXCLUSÃO OU LIMITAÇÃO DE RESPONSABILIDADE PARA DANOS CONSEQUENTES OU ACIDENTAIS, A LIMITAÇÃO SUPRACITADA PODERÁ NÃO SE APLICAR AO USUÁRIO.

(d) SENÇÃO DE RESPONSABILIDADE DE GARANTIAS — ESTA GARANTIA CONTEMA GARANTIA COMPLETA E DEVERÁ PREVALECER SOBRE TODA E QUALQUER GARANTIA, EXPRESSA OU IMPLÍCITA (INCLUINDO TODAS AS GARANTIAS IMPLÍCITAS DE COMERCIALIZAÇÃO OU ADAPTAÇÃO PARA UM DETERMINADO FIM), E TODAS AS OUTRAS OBRIGAÇÕES DE RESPONSABILIDADE POR PARTE DA DSC. A DSC NÃO OPEREUA ISQUEER OUTRAS GARANTIAS. A DSC NÃO ASSUME NEM AUTORIZA QUALQUER OUTRA PESSOA A ATUAR EM SEU NOME PARA MODIFICAR OU ALTERAR ESTA GARANTIA, NEM ASSUMIR POR ELA (A DSC) QUALQUER OUTRA GARANTIA OU RESPONSABILIDADE RELACIONADA COM ESTE PRODUTO DE SOFTWARE.

(e) RECURSO EXCLUSIVO E LIMITAÇÃO DE GARANTIA — EM NENHUMA CIRCUNSTÂNCIA SERÁ A DSC RESPONSÁVEL ZADA POR QUALQUER DANOS ESPECIAIS, INCIDENTAIS, CONSEQUENTES OU INDIRETOS RESULTANTES DO NÃO CUMPRIMENTO DA GARANTIA, NÃO CUMPRIMENTO DO CONTRATO, NEGLIGÊNCIA, RESPONSABILIDADE DE OBJETIVO, OU QUALQUER OUTRA DISPOSIÇÃO LEGAL. TAIS DANOS INCLUEM, ENTRE OUTROS, A PERDA DE LUCROS, PERDA DO PRODUTO DE SOFTWARE OU QUALQUER EQUIPAMENTO ASSOCIADO, CUSTO DE CAPITAL, CUSTOS COMEQUIPAMENTO DE SUBSTITUIÇÃO, INSTALAÇÕES OU SERVIÇOS, TEMPO IMPRODUTIVO, TEMPO DE COMPRA, EXIGÊNCIAS DE TERCEIROS, INCLUINDO CLIENTES, E DANOS MATERIAIS. AVISO: a DSC recomenda que todo o sistema seja copiado em um estado com regularidade. Contudo, apesar dos testes frequentes, e devido a, entre outros, violação criminosa ou falha elétrica, é possível que este PRODUTO DE SOFTWARE não funcione como esperado.

DECLARAÇÃO CONFORMIDADE FCC

CUIDADO: Alterações ou modificações não expressamente aprovadas pelo Digital Security Controls

podem anular sua permissão para usar este equipamento.

Est equipamento opera e utiliza energia de radiofrequência, e caso não seja instalado e utilizado corretamente e seguindo estritamente as instruções do fabricante, pode causar interferência na recepção de rádio de televisão. Ele foi projetado e testado e cumprido com os limites para um dispositivo de Classe B de acordo com as especificações da Subseção "B" da Parte 15 das Normas da FCC, que visam fornecer proteção razoável contra tais interferências em qualquer instalação residencial. No entanto, não há garantia de que não haverá interferência em uma instalação em particular. Se este equipamento causar interferência que qualqu na recepção de rádio de televisão, o que pode ser determinado conectando e desconectando o equipamento, o usuário é encorajado a corrigir a interferência através de um ou mais das seguintes medidas:

- Reorientar o antena receptora
 - Deslocar o controle do alar em relação ao receptor
 - Afastar o controle do alar e do receptor
 - Conectar o controle do alar em um ponto mais distante da forma que o controle do alar e o receptor estejam em circuitos diferentes.
- Se necessário, o usuário deve consultar o vendedor ou um técnico de televisão/rádio experiente e sugestões adicionais. O usuário pode achar de utilidade esta brochura disponível pela FCC: "How to Identify and Resolve Radio/Television Interference Problems" (Como identificar e solucionar problemas de interferência de rádio/televisão). Esta brochura está disponível no U.S. Government Printing Office, Washington D.C. 20402, Stock #F 004-000-00345-4.

Indústria do Canadá

(CAN ICS-3(B)(MIB-3B))

DETECÇÃO CE

O modelo do Modelo de Sinal HSM2350 foi certificado pela CERTA LARNA Telecommunication conform e EN 50131-1:2006 + A1:2009 + A2:2017 e EN 50131-6:2017 para Grau 3, Classe I - sempre que instalado na caixa HSC3020 (para a anoviva).

tyco



29010128R003



©2018 Tyco Security Products

www.dsc.com Tech. Support: 1-

800-387-3630

Johnson Controls

