



Wireless Input Expander

Quick Start Guide






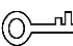

Foreword

General

This manual introduces the functions and operations of the wireless input expander (hereinafter referred to as the "input expander").

Safety Instructions

The following signal words might appear in the manual.

Signal Words	Meaning
 DANGER	Indicates a high potential hazard which, if not avoided, will result in death or serious injury.
 WARNING	Indicates a medium or low potential hazard which, if not avoided, could result in slight or moderate injury.
 CAUTION	Indicates a potential risk which, if not avoided, could result in property damage, data loss, reductions in performance, or unpredictable results.
 TIPS	Provides methods to help you solve a problem or save time.
 NOTE	Provides additional information as a supplement to the text.

Revision History

Version	Revision Content	Release Time
V1.0.0	First release.	October 2021

Privacy Protection Notice

As the device user or data controller, you might collect the personal data of others such as their face, fingerprints, and license plate number. You need to be in compliance with your local privacy protection laws and regulations to protect the legitimate rights and interests of other people by implementing measures which include but are not limited: Providing clear and visible identification to inform people of the existence of the surveillance area and provide required contact information.

About the Manual

- The manual is for reference only. Slight differences might be found between the manual and the product.
- We are not liable for losses incurred due to operating the product in ways that are not in compliance with the manual.
- The manual will be updated according to the latest laws and regulations of related jurisdictions. For detailed information, see the paper user's manual, use our CD-ROM, scan the QR code or visit our official website. The manual is for reference only. Slight differences might be found between the electronic version and the paper version.

- All designs and software are subject to change without prior written notice. Product updates might result in some differences appearing between the actual product and the manual. Please contact customer service for the latest program and supplementary documentation.
- There might be errors in the print or deviations in the description of the functions, operations and technical data. If there is any doubt or dispute, we reserve the right of final explanation.
- Upgrade the reader software or try other mainstream reader software if the manual (in PDF format) cannot be opened.
- All trademarks, registered trademarks and company names in the manual are properties of their respective owners.
- Please visit our website, contact the supplier or customer service if any problems occur while using the device.
- If there is any uncertainty or controversy, we reserve the right of final explanation.

Important Safeguards and Warnings

This section introduces content covering the proper handling of the Device, hazard prevention, and prevention of property damage. Read carefully before using the Device, comply with the guidelines when using it, and keep the manual safe for future reference.

Operation Requirements



- Make sure that the power supply of the device works properly before use.
- Do not pull out the power cable of the device while it is powered on.
- Only use the device within the rated power range.
- Transport, use and store the device under allowed humidity and temperature conditions.
- Prevent liquids from splashing or dripping on the device. Make sure that there are no objects filled with liquid on top of the device to avoid liquids flowing into it.
- Do not disassemble the device.

Installation Requirements



- Connect the device to the adapter before power on.
- Strictly abide by local electrical safety standards, and make sure that the voltage in the area is steady and conforms to the power requirements of the device.
- Do not connect the device to more than one power supply. Otherwise, the device might become damaged.



- Observe all safety procedures and wear required protective equipment provided for your use while working at heights.
- Do not expose the device to direct sunlight or heat sources.
- Do not install the device in humid, dusty or smoky places.
- Install the device in a well-ventilated place, and do not block the ventilator of the device.
- Use the power adapter or case power supply provided by the device manufacturer.
- The power supply must conform to the requirements of ES1 in IEC 62368-1 standard and be no higher than PS2. Note that the power supply requirements are subject to the device label.
- Connect class I electrical appliances to a power socket with protective earthing.

Table of Contents

Foreword	I
Important Safeguards and Warnings	III
1 Introduction	1
2 Checklist	2
3 Design	3
3.1 Appearance	3
3.2 Dimensions	4
4 Connecting to the Hub	5
5 Installation	6

1 Introduction

Wireless input expander is a conversion device that connects to a detector through wired mode, and sends the message in wireless mode to the security system. It can be set up via the DMSS app for iOS and Android phones.

2 Checklist

Figure 2-1 Checklist

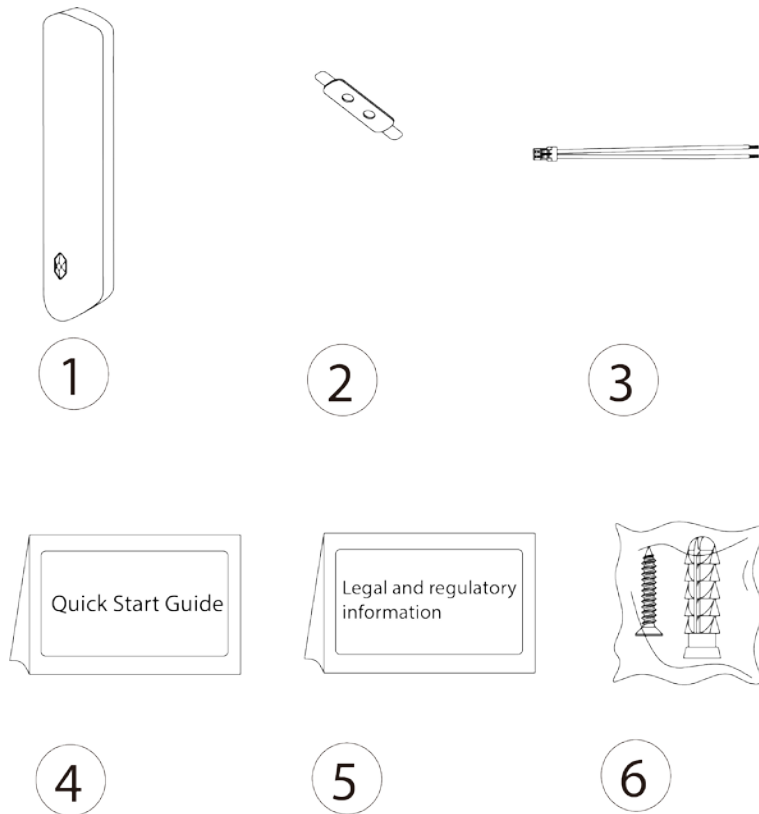


Table 2-1 Checklist

No.	Item Name	Quantity	No.	Item Name	Quantity
1	Input expander	1	4	Quick start guide	1
2	Double-sided adhesive tape	1	5	Legal and regulatory information	1
3	Cable	1	6	Screw package	1

3 Design

3.1 Appearance

Figure 3-1 Appearance

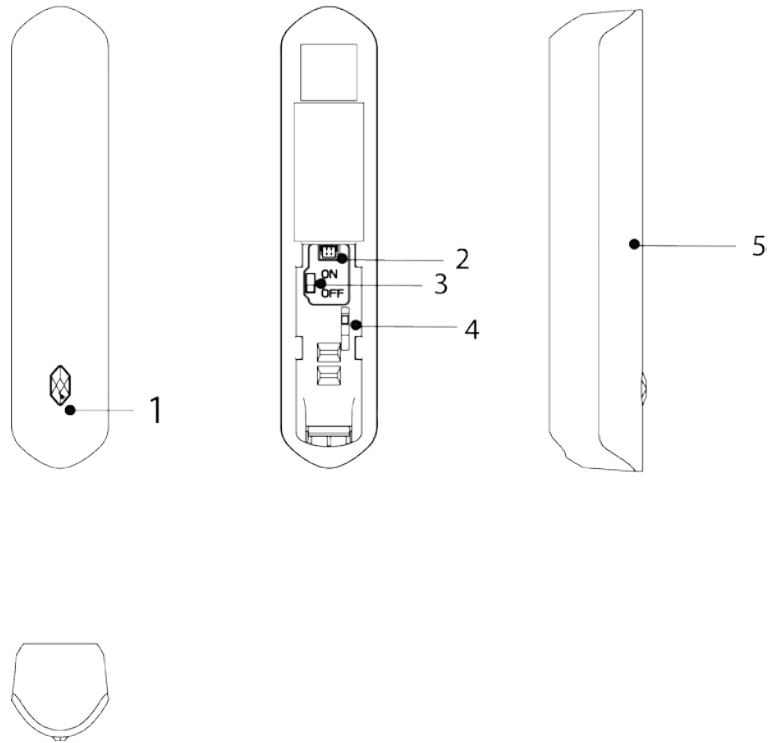
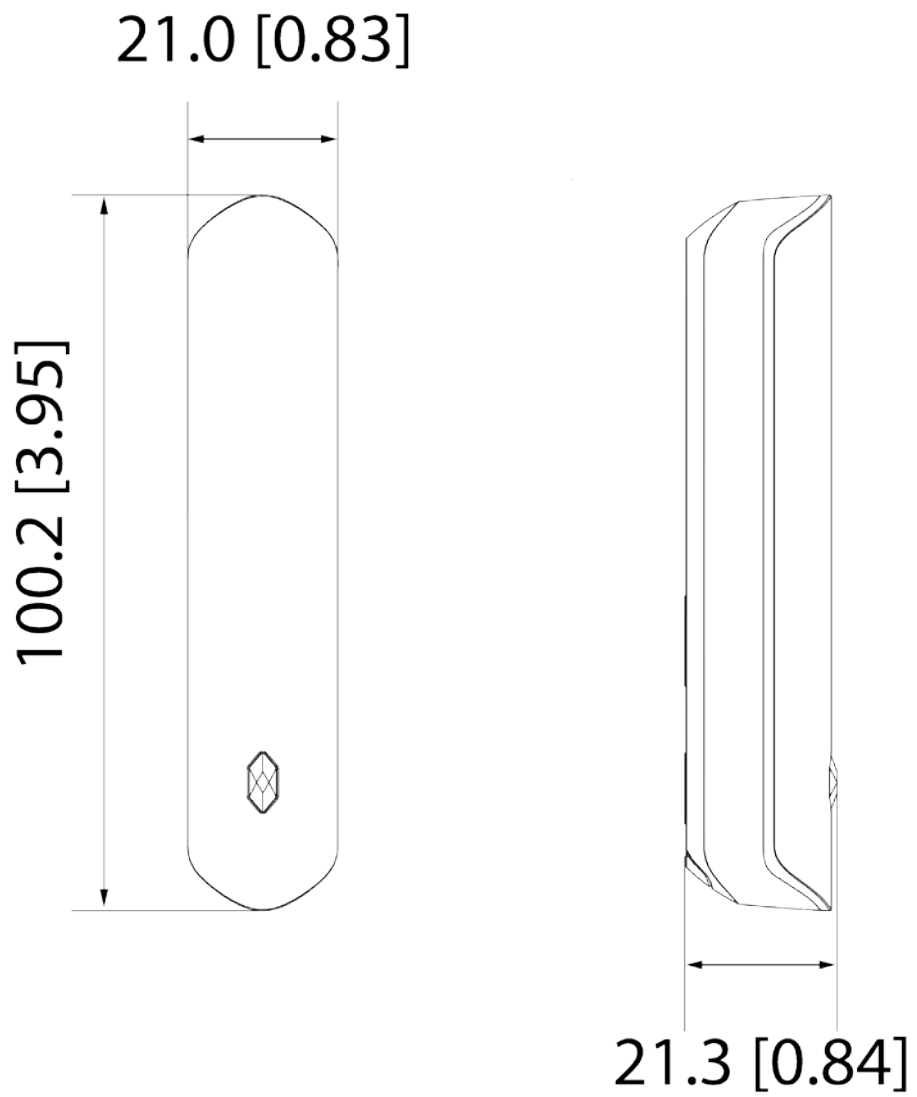


Table 3-1 Structure

No.	Name	Description
1	Indicator	<ul style="list-style-type: none"> Flashes green quickly: Pairing mode. Solid green: Alarm event was triggered. Solid green for 2 seconds: Pairing successful. Slowly flashes green for 3 seconds: Pairing failed.
2	Peripheral port	Connect the peripheral with the alarm cable.
3	On/Off switch	Turn on or turn off the input expander.
4	Tamper switch	When the tamper switch is released, the tamper alarm will be triggered.
5	Lid	<ul style="list-style-type: none"> Normal status: Lid closed. Abnormal status: Lid open.

3.2 Dimensions

Figure 3-2 Dimensions (mm [inch])




4 Connecting to the Hub

Before you connect it to the hub, install the DMSS app to your phone. This manual uses iOS as an example.



- Make sure that the version of the DMSS app is 1.96 and later, and the hub is V1.001.0000000.4.R.211014 and later.
- Make sure that you have already created an account, and added the hub to DMSS.
- Make sure that the hub has a stable internet connection.
- Make sure that the hub is disarmed.

Step 1 Go to the hub screen, and then tap  to add the input expander.

Step 2 Tap  to scan the QR code at the bottom of the input expander, and then tap **Next**.

Step 3 Tap **Next** after the input expander has been found.

Step 4 Follow the on-screen instructions and switch the input expander to on, and then tap **Next**.

Step 5 Wait for the pairing.

Step 6 Customize the name of the input expander, and select the area, and then tap **Completed**.

5 Installation

Prior to installation, connect the input expander to the hub and check the signal strength of the installation location. We recommend installing the input expander in a place with a signal strength of at least 2 bars.

We recommend using expansion screws when installing the input expander.



Make sure that you have inserted the provided cable into the input expander to connect it to the wired detector.

Figure 5-1 Installation

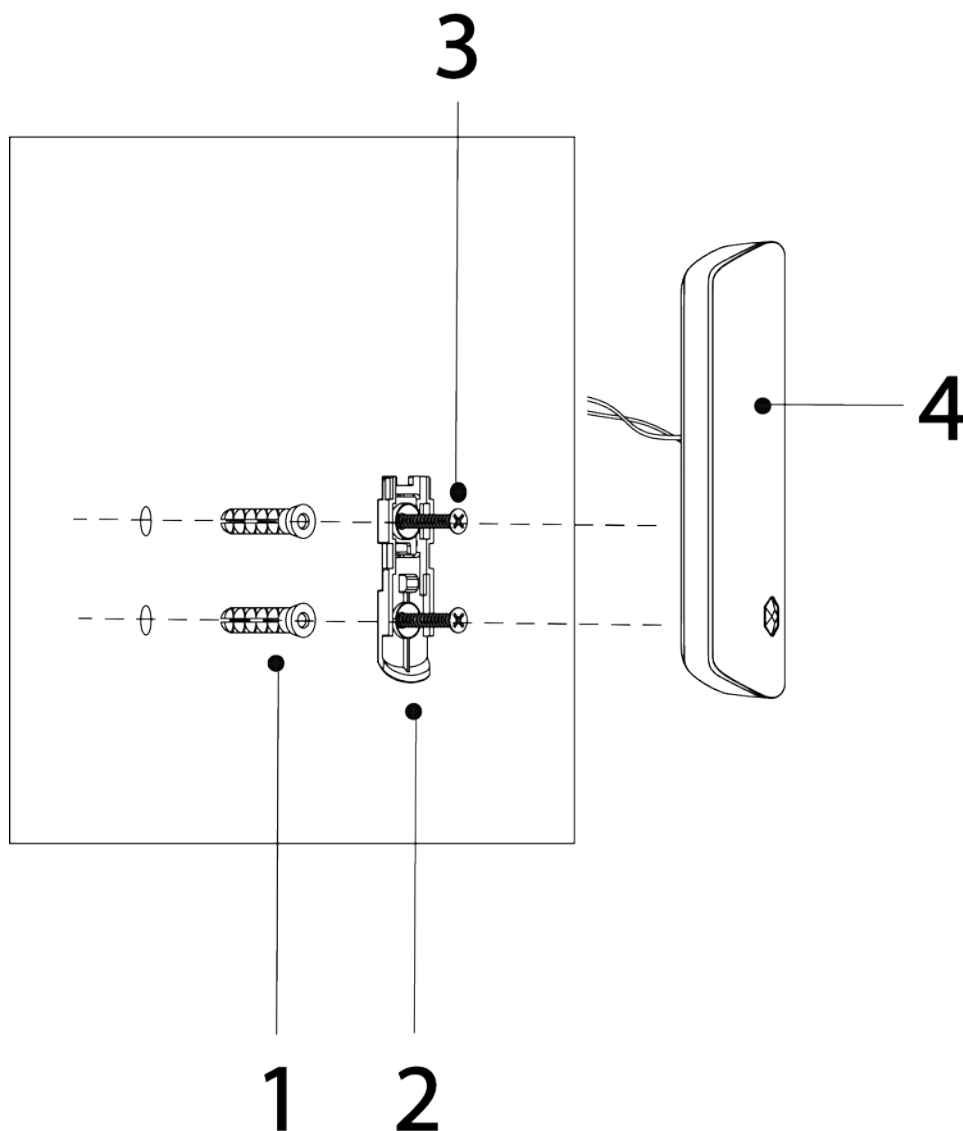


Table 5-1 Installation items

No.	Item name	No.	Item name
1	Expansion bolt	3	ST3 × 18 mm self-tapping screw

No.	Item name	No.	Item name
2	Attachment panel	4	Input expander

Step 1 Drill 2 holes into the door according to the hole positions of the attachment panel.

Step 2 Put the expansion bolts into the holes.

Step 3 Align the screw holes on the plate with the expansion bolts.

Step 4 Secure the attachment panels with ST3 × 18 mm self-tapping screws.

Step 5 Put the input expander into the attachment panel.

ENABLING A SAFER SOCIETY AND SMARTER LIVING

ZHEJIANG DAHUA VISION TECHNOLOGY CO., LTD.

Address: No.1199 Bin'an Road, Binjiang District, Hangzhou, P. R. China | Website: www.dahuasecurity.com | Postcode: 310053

Email: overseas@dahuatech.com | Fax: +86-571-87688815 | Tel: +86-571-87688883