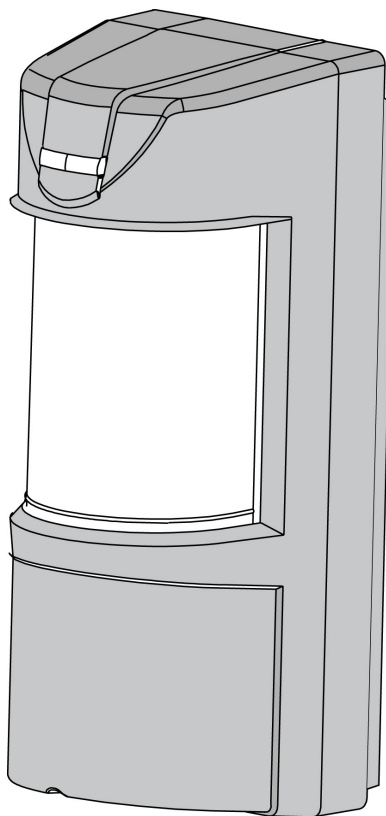


EDS-3000

Outdoor Double Optics PIR + MW detector with Pet immune

INSTALLATION INSTRUCTIONS & USER MANUAL



P/N 7101691 Rev. D

1	General.....	4
2	Features	4
3	Assembly description.....	5
4	Detection Pattern.....	6
5	Selecting mounting location.....	7
6	Detector Installation.....	8
7	Terminal Block Connections.....	10
7.1	Wire Size Requirements.....	10
8	Settings & Adjustments	11
8.1	Detection beam direction.....	11
8.2	Detection range setting	11
8.3	Sensitivity, Range and Pet immune Adjustment.....	12
8.4	Indications setting.....	13
9	Operation.....	14
10	Test procedure.....	15
11	Specifications.....	16

1 **General**

The EDS-3000 is unique Passive Infra-Red and Microwave detector for outdoor and harsh environment applications.

The EDS-3000 is designed for outdoor usage in most severe and extreme acclimate conditions that may also accommodate pets.

High reliability is achieved by combining both dual tech hardware with highly sophisticated software as well as an adaptive coverage area, reducing false alarms alerts to zero.

It comprises of Double Optics and advanced MW Detector inside stylist rigid plastic body.

This special optics combined with state of the art MW Doppler sensor assures elimination of “false alarms” while maintaining high security standards for the detection of human intruders into protected area.

The detection sensitivity and range is controlled by digital rotary switch allowing 16 calibration levels, so that the effective pattern will be set for every installation environment and protection site.

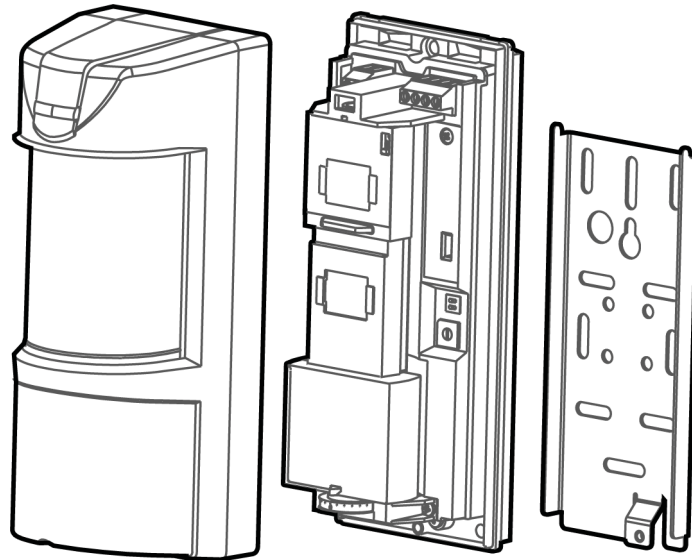
The EDS-3000 is designed to protect large areas and can easily be installed on walls in order to provide a solid protection of the area while rejects interferences from birds and small animals due to “PET MASK” optics.

2 **Features**

- MW detection based on Doppler concept.
- N.O. & N. C. Relays switched at the same time.
- Height installation calibrations free, from 2.6 ft (0.8m) to 4.9 ft (1.5m)
- Selectable pet immunity between 44 lbs (20kg) and 77 lbs (35kg).
- 16 levels of PIR sensitivity adjustment including 3 MW sensitivity groups.
- Temperature compensation.
- Micro controller signal processing.
- Front and back tamper protection.
- Sound indication for walk test and intruder detection.
- Unique waterproof and seal plastic design.
- Detection Range: Up to 49 ft (15m)
- Detect human intruders walking or running.
- No maintenance required.
- High RFI/EMI Immunity.
- Protection from: direct sunlight, wind up to 30m/sec, snow and rain, small animals, removing the top cover, housing pulling out or destruction

3 Assembly description

The EDS-3000 is a robust detector which includes big indication led prism that can be easily observed from long distance. Having a back metal bracket, the EDS-3000 can be easily mounted to walls and poles using mounting screws or metal bands (supplied).



The EDS-3000 is combined of three detection elements:

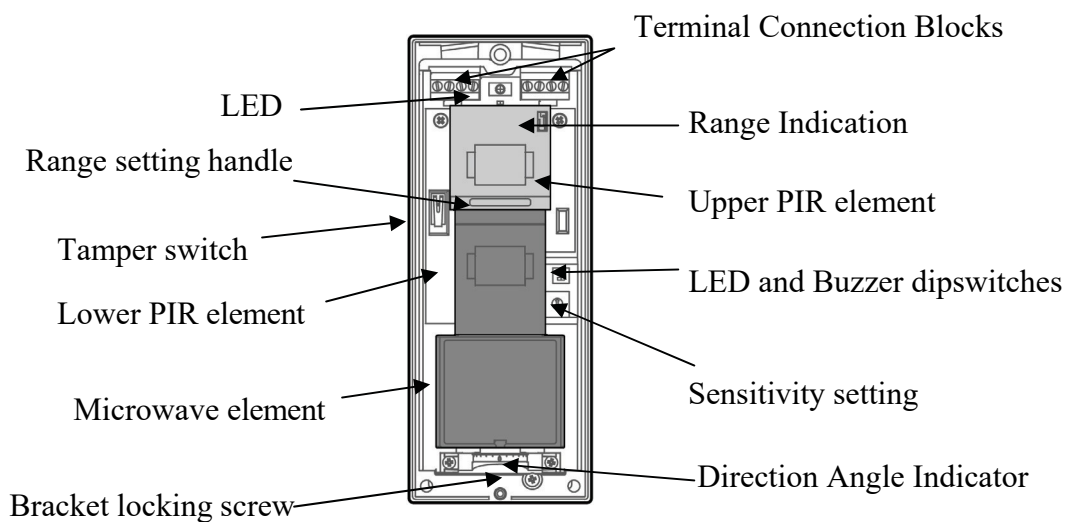
Upper PIR element

Lower PIR element

Microwave element

The upper PIR element has an adjustable detection height while the other two are fixed.

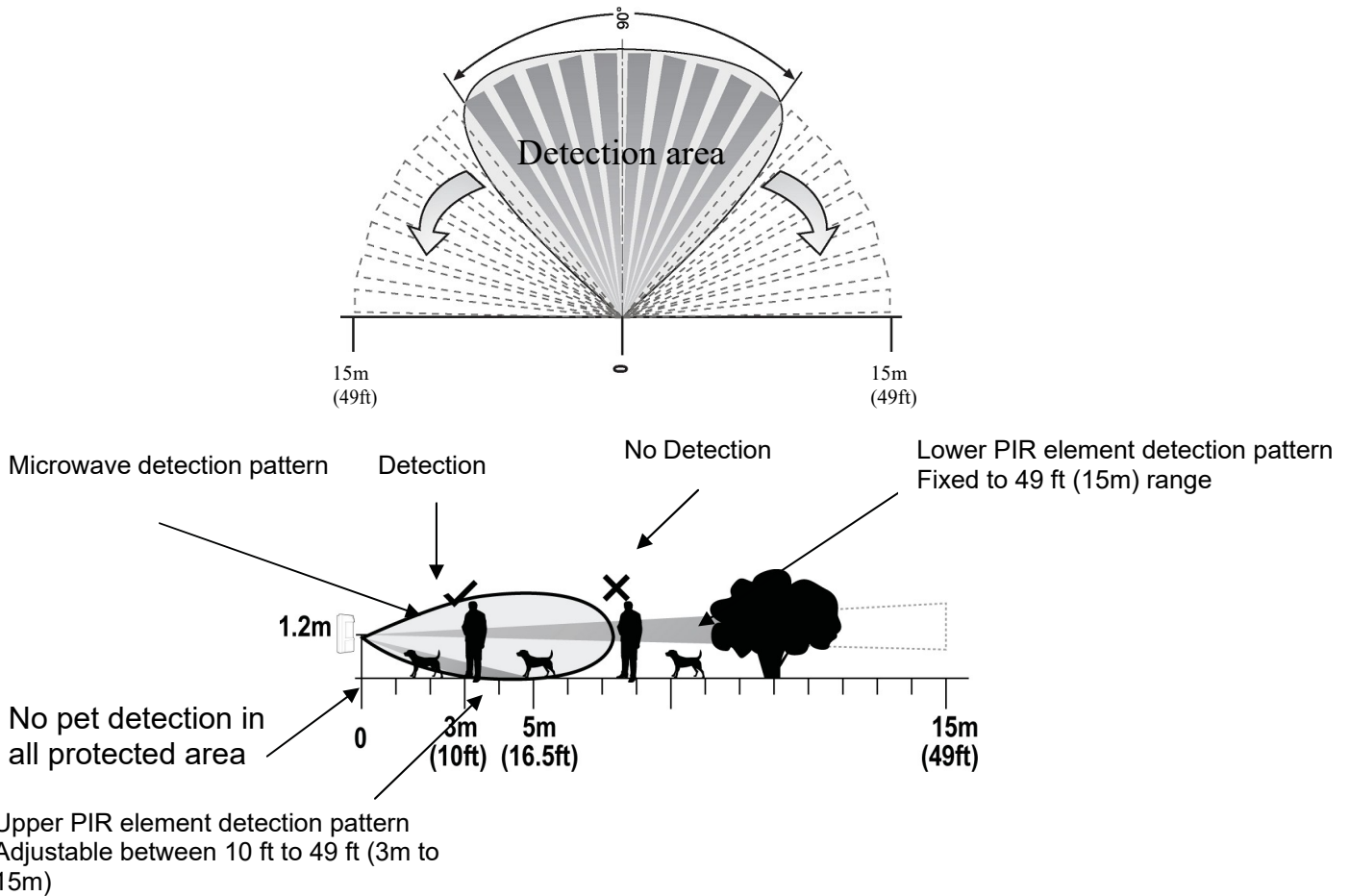
The following drawing shows all internal elements:



4 Detection Pattern

The EDS-3000 has a 90° top view PIR and MW detection pattern with over 49 ft (15m) detection distance (when installed at 4 ft (1.2m) above the ground surface).

The EDS-3000 has an internal rotating housing (which includes the 2 PIR elements and the MW) that can be adjusted horizontally, so its 90° coverage may vary between 0° and 180°.

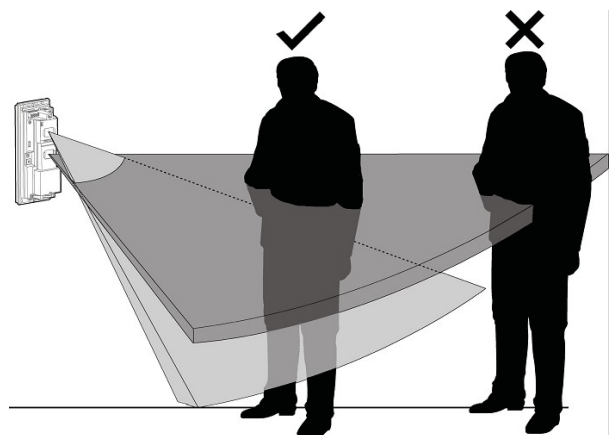


The EDS-3000 can differentiate between pets and human bodies and alert accordingly by having MW movement detection combined with two PIR detection beams:

- A. Lower PIR element which is fixed to 49 ft (15m) range and 2 ft (60cm) above ground level which helps avoiding pets' detection over the entire area.
- B. Upper PIR element which has adaptive range between 10 ft (3m) and 49 ft (15m).

By having both PIR detection beams and MW detection the crossing object will be defined as intrusion, causing an alarm.

In case of MW detection with only one of the beams no alarm will be generated.



5 Selecting mounting location

The installation of the EDS-3000 requires straight and solid base for the detector and setting of front panel against the center of protected area.

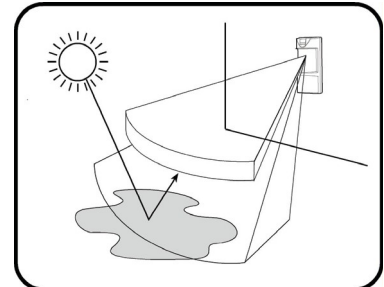
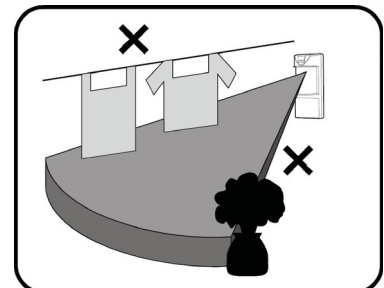
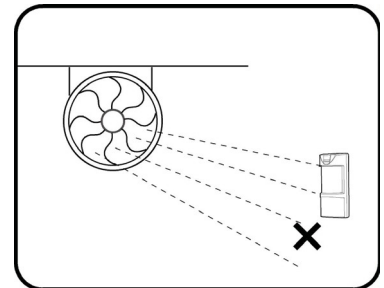
The protected area must be free from obstacles like walls, fences, trees, ditches and other microwave detectors, as well as systems of anti-intrusion surveillance.

The bracket provides EDS-3000 installation on a wall or pole. The wall or pole should be leveled.

Choose a location most likely to intercept an intruder according to detection pattern on page 6.

Avoid the following Installation Locations:

- Facing direct sunlight.
- Facing areas subject to rapid temperature changes.
- Wall angle of more than 10° from perpendicular line.
- Mounting at more than 10° Deviation from horizontal line.
- Facing metal doors.
- Do not install near direct source of heat or air gust.
- Clear all physical obstacles from the detection area (e.g. Plants, laundries, etc.)
- Clear all light reflecting surfaces from the detection area, as well as water puddles.
- Avoid installation on the following types of ground:
Thick vegetation, Grass (un-mown), Water, Sand and Metal.



NOTE:

Recommended installation height is 4 ft (1.2m).

** If there is a risk of tall pets (over 2 ft / 60cm) the detector is to be installed at 4.5 ft (1.4m).

The DOUBLE DUAL high quality sensor detects motion crossing the beam; it is less sensitive detecting motion towards the detector.

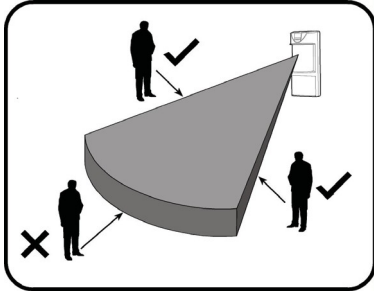
The EDS-3000 performs best when provided with a constant and stable environment.

In order to ensure suitable operation of the EDS-3000 type of ground should be one of the following: Asphalt concrete, Cement, Soil, Clay, Gravel or Grass (mown).

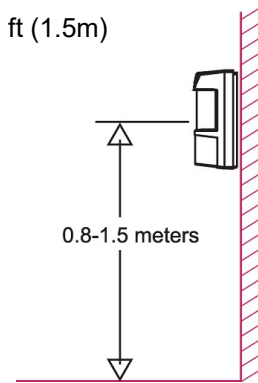
6 **Detector Installation**

Important! Prior to installation, read both "Operation" and "Selecting the mounting location" sections carefully.

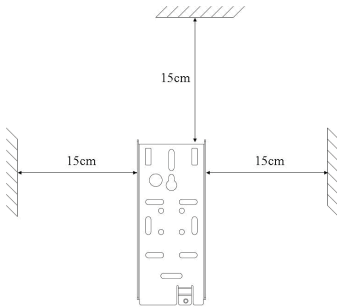
1. Install the detector in such manner that the intruder is most likely to cross the detection area from side to side.



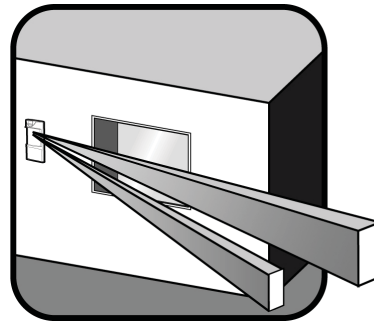
2. The detector is to be installed at height of 2.6 ft (0.8m) to 4.9 ft (1.5m)



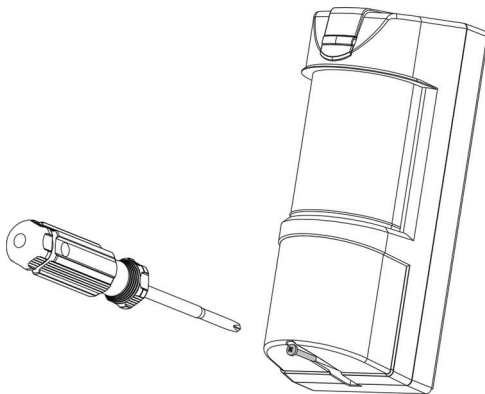
3. Make sure to attach the metal bracket to a leveled straight and firm wall, leaving 6 inches (15cm) from the top and 6 inches (15cm) from both sides, for easy installation and maintenance.



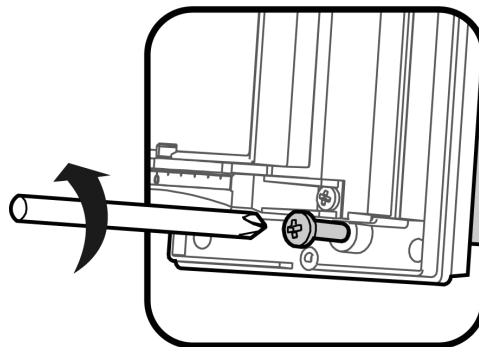
4. Rotating the detection beam may be required for guarding a side window opening while the detector is installed facing another direction.



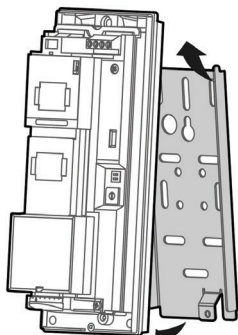
5. Open the detector unwinding the bottom screw.



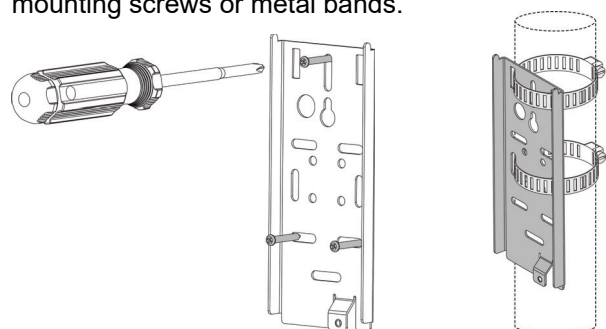
6. Release the rear metal bracket by unwinding internal bottom screw.



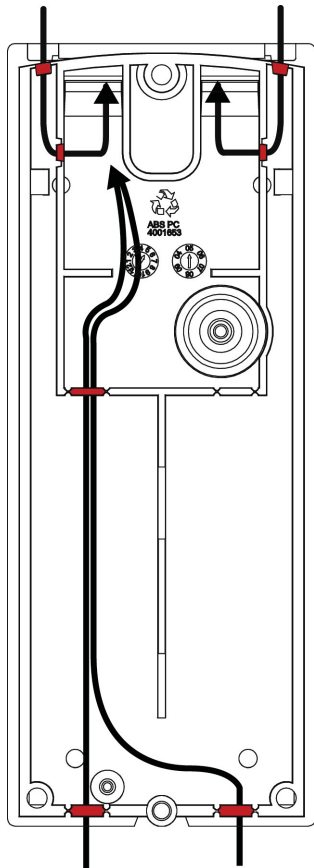
7. Release the detector body from the metal bracket by polling front and up.



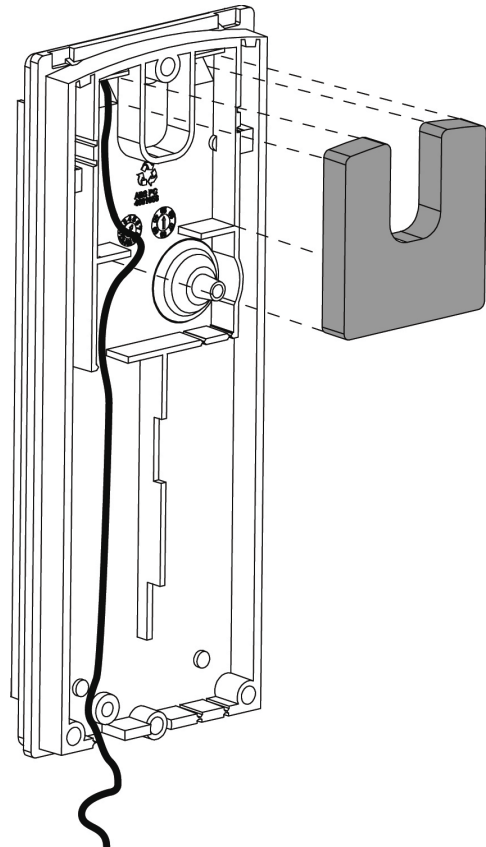
8. Attach the rear bracket to the wall or a pole using mounting screws or metal bands.



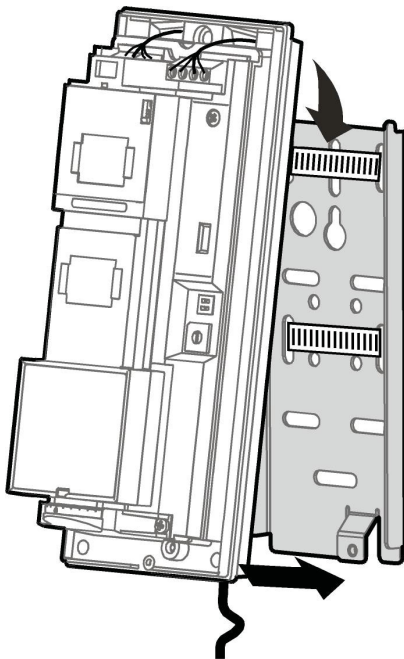
9. Break the relevant rear knockouts on plastic base rear side for your installation and slide the wires from the outside via the paths and knockout to the internal side of the detector.



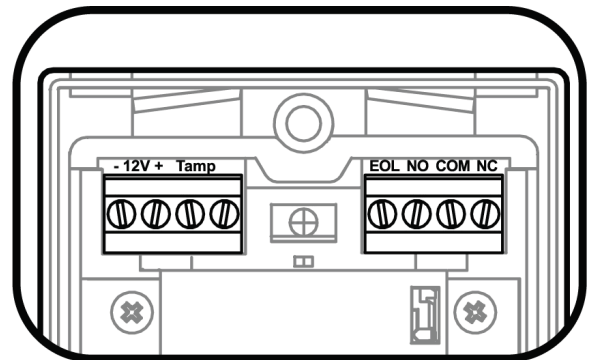
10. Attach the sealing "U" shaped Sponge Pad to the wire opening from the rear side after the wires connection and prior to final product affixing to the mounted bracket.



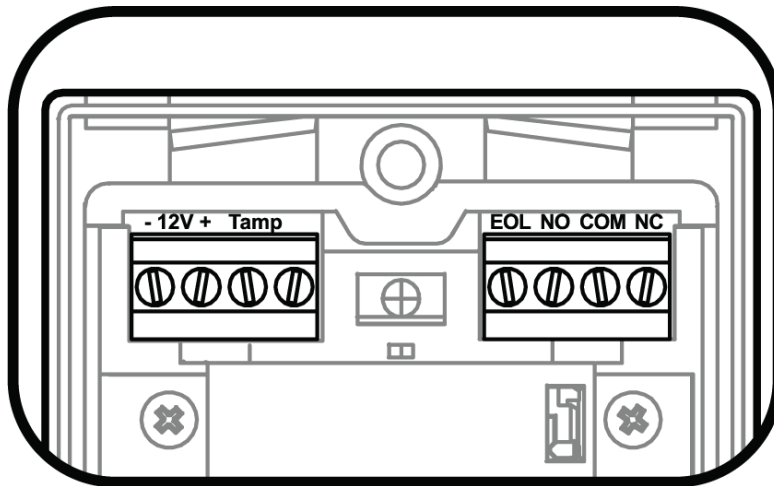
11. Place the detector on the mounting bracket from top side down and then lock the screw at the bottom.



12. Connect the wires to the terminal blocks according to the following chapter.



7 Terminal Block Connections



Terminal 1 - Marked “-” (GND) - Connect to the ground of the CP.

Terminal 2 - Marked “+” (+12V) - Connect to a positive Voltage of 9.6 -16VDC source (usually from the alarm CP)

Terminals 3 & 4 - Marked “TAMP” - If a Tamper function is required connect these Terminals to a 24-hour normally closed protective zone in the CP.

If the top cover of the detector is opened or the detector is detached from installation wall, an immediate alarm signal will be sent to the CP.

Terminal 5 - Marked “EOL” - End of line – optional terminal for end of line resistors connections.

Terminals 6, 7 & 8 - Marked “NC / C / NO” - These are the output relay contacts of the detector. Connect to a normally closed or normally opened zone in the control unit. When an intruder is detected, alarm relays (N.C. and N.O.) will switch for 1.8 sec.

7.1 **Wire Size Requirements**

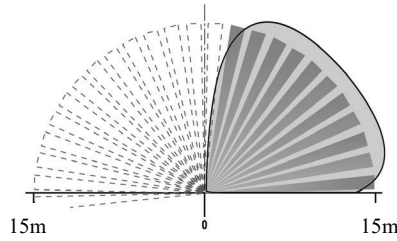
Use #22 AWG or larger wires. Use the following table to determine required wire gauge and length.

Wire Length [m]	250	350	600	1000
Wire Length [ft.]	800	1200	2000	3400
Wire Gauge [#]	22	20	18	16

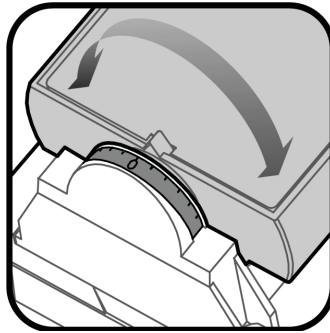
8 Settings & Adjustments

8.1 Detection beam direction

The EDS-3000 detection beam direction may vary between 0° and 180°.

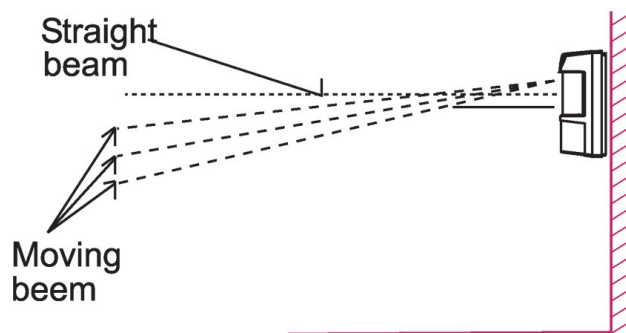


In order to change the detection beam direction rotate the internal detection element housing to the desired direction.

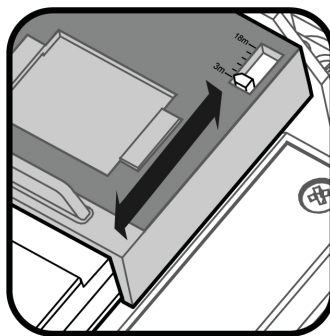


8.2 Detection range setting

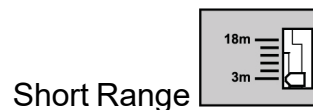
The EDS-3000 detection range may vary between 10 ft (3m) and 49 ft (15m), while installed on 4 ft (1.2m) height above the ground surface.



Changing the detection range is achieved by sliding the upper detection element up or down.



Slide the detection element down for long range or up for short range detection.



8.3 Sensitivity, Range and Pet immune Adjustment

The calibration of range and sensitivity is performed by single digital 16 position rotary switch.

There are 3 groups of switch setting according to detection range.

Each group is divided to several levels of sensitivity according to installation environment.

The sensitivity is determined by a rotating switch (16 positions). Changing the sensitivity affects immunity to environmental noises, also affects the detection distance and pet immunity level.

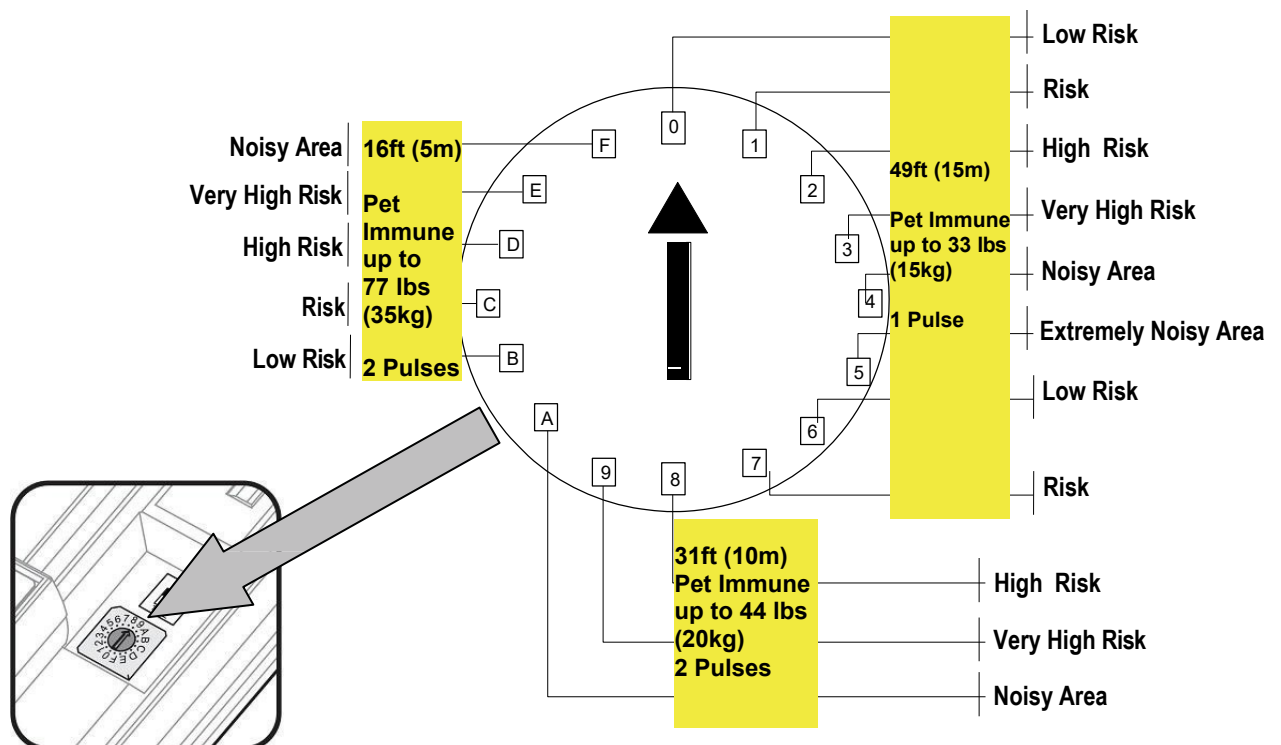
The rotating switch is marked with digits from “0” to “9” and following letters from “A” to “F”. Position “0” is maximum sensitivity and “F” is minimum sensitivity.

Note: Adjust sensitivity according to environmental conditions!

Group A - positions 0 – 7 – set sensitivity for 49 ft (15m) detection range with immunity to pets weight up to 33 lbs (15kg) – very sensitive – 1 pulse.

Group B - positions 8 – A – set sensitivity for 31 ft (10m) detection range with immunity to pets weight up to 44 lbs (20kg) – less sensitive – 2 pulses.

Group C - positions B – F – set sensitivity for 16 ft (5m) detection range with immunity to pets weight up to 77 lbs (35kg) – less sensitive – 2 pulses.



Each group is divided to 5 or 6 sub-positions that help to define the environmental condition inside the detection range:

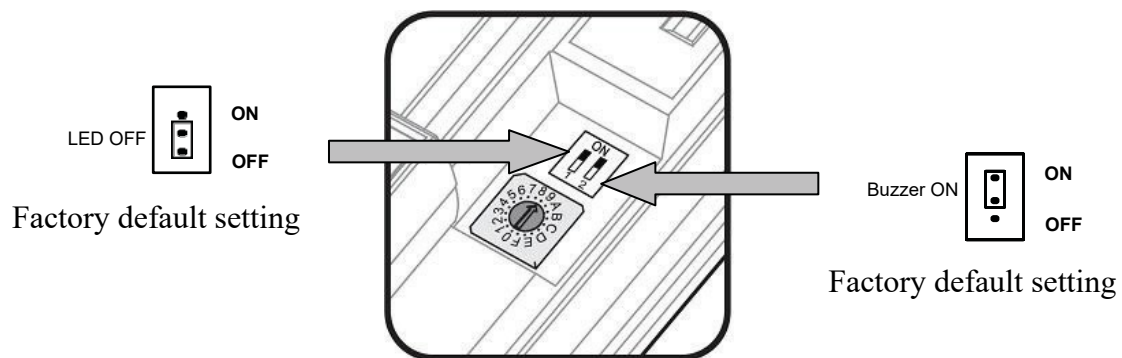
- Low risk: very stable environment without interference like parking garage, under roof parking space, playground, football court, service road, etc.
- Risk: Stable environment with some trees, bushes, flowerpots, planters.

- High risk: Unstable environment with different types of vegetation and grass and puddles.
- Very high risk: Unstable environment with winds and small pets, rats, mice, birds.
- Noisy area: Unstable environment with vegetation and water sources like swimming pool, lake, canal, weed as well as small pets like cats and rabbits.
- Extremely Noisy area: Very unstable environment subjected to wind, snow, rain, with vegetation, water and large pets like dogs.

For example:

If detector is used for 13m range in open space with sunlight and pets, set switch to position 9.

8.4 Indications setting



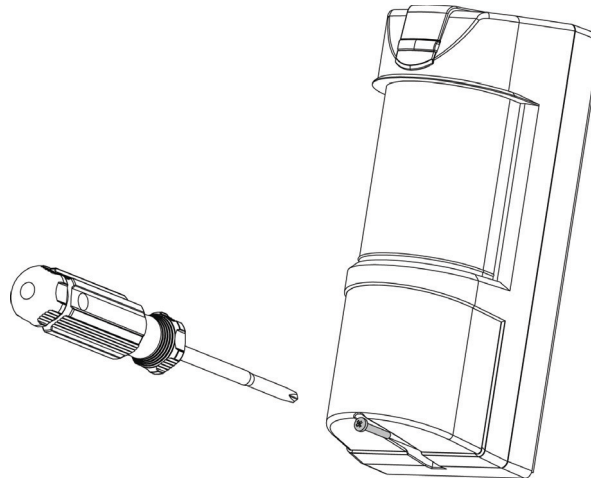
The EDS-3000 has two types of indications:

1. LED
2. Buzzer

The installer may determine both indications' operation during detection (ON or OFF) by using switch number "1" for the buzzer and switch number "2" for the LED.

(Setting the buzzer ON gives the installer the ability to hear the beep on each detection for 1.8 seconds during the adjustments and a walk test. After the process it is recommended to switch the buzzer OFF)

- Place the top cover to the base and close it using the bottom screw.



9 **Operation**

Note! Connect the EDS-3000 to a positive Voltage output of 9.6 -16VDC, 120mA source.
Use only a listed power limited source.

The detector shall be provided with minimum of 4 hours of standby power from either a listed compatible control unit or power supply.

- The detector is automatically operated once connected to power.
- The LED starts flashing for 30 seconds during the setup period and after that it will turn off.
- At this time the detector is ready for operation.

10 Test procedure

Walk Test

Allow 2 minutes of warm up time.

Make sure that the protected area is cleared of all people.

Start walking across the detection zone.

Listen to ALARM sound whenever motion is detected (the red LED also turns ON whenever motion is detected).

Allow 5 sec. between each test for the detector to stabilize.

Upon installation, the unit should be thoroughly tested to verify proper operation.




Walk across the entire area where coverage is desired. Should the coverage be incomplete, readjust coverage range or relocate the detector.

Once coverage is as desired, the alarm buzzer should be disabled and the LED may be disabled.

NOTE: *Walk Test procedure should be conducted, at least once a year, to confirm proper operation and coverage of the detector.*

11 Specifications

Detection Method	Double PIR AND MW
Microwave Frequency	24.125 GHz
Power Input	9.6 to 16VDC, 120 mA
Current Draw	Active: 24mA (±5%) Standby: 21mA (±5%)
Temp Compensation	Yes, Dual slop temperature compensation
Alarm Period	2 sec (±0.5sec)
Alarm Outputs	Form C (NC, NO, Common) 28VDC 0.1 A with 10 Ohm
Tamper Switch(s)	Two Switches N.C 28VDC 0.1A with 10 Ohm Series protection resistors Opens when cover is removed from unit's base
Warm up Period	120sec (± 5sec)
LED Indicator	LED is ON during ALARM
RF Immunity	10 V/m plus 80% AM from 80 MHz to 2GHz
ElectroStatic Immunity	6kV contact, 8kV air
Transient Immunity	1kV
Transmit Power	< 14dBm
Operation Temp	-35°C ~ +55°C (-31°F ~ 131°F)
Dimensions	7.9" x 3.4" x 3.2" (200mm x 86mm x 80mm)
Weight	1100 lbs. (500gr.)
European directives	RTTE directive: 1999/5/EC EMC directive: 89/336/EEC Low Voltage directive: 73/23/EEC RoHS directive: 2002/95/EC
European standards requirements:	EN300 440-2 EN301 489-1 EN50130-4 +A1 +A2 EN61000-6-3+A11 EN60950-1 EN50131-1 / EN50131-2-4 / EN50130-5
USA & Canada	47CFR part 15, subpart C, section 15.245 47CFR part 15, subpart RSS210 ICES-003

Protection Degree	IEC 60529: IP 65
Directives	  

* Specifications are subject to change without prior notice.

CROW LIMITED WARRANTY

(CROW) warrants this product to be free from defects in materials and workmanship under normal use and service for a period of two years from the last day of the week and year whose numbers are printed on the printed circuit board inside this product.

CROW's obligation is limited to repairing or replacing this product, at its option, free of charge for materials or labor, if it is proved to be defective in materials or workmanship under normal use and service. CROW shall have no obligation under this Limited Warranty or otherwise if the product is altered or improperly repaired or serviced by anyone other than CROW. There are no warranties, expressed or implied, of merchantability or fitness for a particular purpose or otherwise, which extend beyond the description on the face hereof. In no case shall CROW be liable to anyone for any consequential or incidental damages for breach of this or any other warranty, expressed or implied, or upon any other basis of liability whatsoever, even if the loss or damage is caused by CROW's own negligence or fault.

CROW does not represent that this product can not be compromised or circumvented; that this product will prevent any person injury or property loss or damage by burglary, robbery, fire or otherwise; or that this product will in all cases provide adequate warning or protection. Purchaser understands that a properly installed and maintained product can only reduce the risk of burglary, robbery or other events occurring without providing an alarm, but it is not insurance or a guarantee that such will not occur or that there will be no personal injury or property loss or damage as a result. Consequently, CROW shall have no liability for any personal injury; property damage or any other loss based on claim that this product failed to give any warning. However, if CROW is held liable, whether directly or indirectly, for any loss or damage arising under this limited warranty or otherwise, regardless of cause or origin, CROW's maximum liability shall not in any case exceed the purchase price of this product, which shall be the complete and exclusive remedy against CROW.



ELECTRONIC ENGINEERING LTD.

- ISRAEL:** Crow Electronic Engineering Ltd.
12 Kineret St. Airport City
P.O. Box 293, Ben Gurion Airport, 70100
Tel: +972-3-9726000
Fax: +972-3-9726001
E-mail: support@crow.co.il
- USA:** 2160 North Central Road,
Fort Lee, N.J. 07024
Tel: 1-800-GET CROW
or (201) 944 0005
Fax: (201) 944 1199
E-mail: support@crowelec.com
- AUSTRALIA:** 429 Nepean HWY Brighton East Vic 3187
Tel: +61-3-9596 7222
Fax: +61-3-9596 0888
E-mail: crow@crowaust.com.au
- POLAND:** VIDICON SP. ZO. O.
15 Povazkowska St.
01 – 797 Warsaw Poland
Tel: +48 22 562 3000
Fax: +48 22 562 3030
E-mail: vidicon@vidicon.pl
- LATIN AMERICA:** CROW LATIN AMERICA
5753 NW 151ST.Street
MIAMI LAKES,
FL 33014 – USA
Tel: +1-305-823-8700
Fax: +1-305-823-8711
E-mail: sales@crowlatinamerica.com
- ITALY:** DEATRONIC
VIA Giulianello 4/14
00178 ROMA, ITALY
Tel: +39-0676-12912
Fax: +39-0676-12601
E-mail: info@deatronic.com
- SOUTH AFRICA:** SECURITY SYSTEMS & EQUIPMENT SUPPLIERS (Pty) Ltd
53 Juta Street
Braamfontein 2001
Rep. of South Africa
Tel: +27-11-403-3030
Fax: +27-11-339-8958
Email: sales@sses.co.za