

## 8 TROUBLE SHOOTING

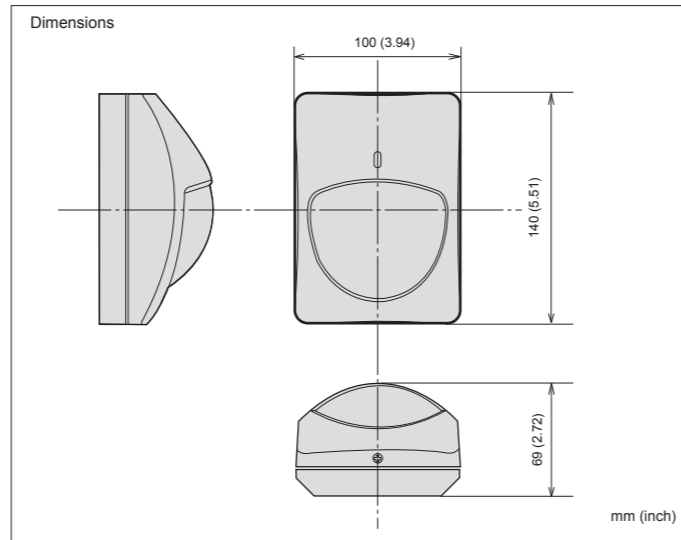
PROBLEM	PROBABLE CAUSE	REMEDY
LED does not light.	Incorrect power supply voltage. (disconnection, or low voltage)	Correct supply voltage to 9.5 to 16 V DC. See Section 5.
	Improper detection area.	See Section 2.
	LED switch is OFF.	Turn on the switch.
	Improper polarity to detector.	Switch positive and negative at terminal.
LED lights even though no person within area.	Moving object within area. (curtain, wall hanging, etc.)	Remove the sources from the detection area.
	Temperature of object within area changing rapidly. (heater, air conditioning, etc.)	Remove object from the detection area.
LED lights but signal is not sent.	Relay contact is stuck or damaged due to overloading.	Check load of output. The unit needs repair or replacement.
LED continues to light.	Faulty Wiring.	Wire correctly.
	Poor connection of alarm memory.	Reconnect wire.
	Wrong control voltage from panel.	Must be 0 to 1 V DC (grounded) See Section 7-3.

## 9 SPECIFICATIONS

Model	CX-702 / CX-702V	
Detection method	Passive Infrared	
Coverage	Wide Angle 85° wide 21 m × 21 m (70 ft. × 70 ft.)	Long Range 45 m × 2.4 m (150 ft. × 8 ft.)
	Detection zones	68 zone / 22 zones
Mounting height	1.5 to 3.6 m (5 to 12 ft.)	
Sensitivity	1.6°C at 0.6 m / sec., 2.4 m mounting height (3°F at 2 ft. / sec., 8 ft. mounting height)	
Detectable speed	0.3 to 1.5 m / sec. (1 to 5 ft. / sec.)	
Power input	9.5 to 16 V DC	
Alarm period	Approx. 2.5 sec.	
Alarm output	N.C., 28 V DC 0.2 A (max.)	
Tamper switch	N.C., Opens when cover removed. 28 V DC 0.1 A (max.)	
Pulse count	Approx. 20 sec. 2 or 4	
Warm up period	Approx. 1 min.	
LED indicator	Alarm condition	
RF interference	No Alarm 30 V / m	
Operating temperature	-20°C to +50°C (-4°F to +122°F)	
Environment humidity	95 % (max.)	
Weight	200 g (7.0 oz)	

\* Specifications and design are subject to change without prior notice.

Model	CX-702
Current draw	8 mA (normal) / 11 mA (max.) at 12 V DC
Model	CX-702V
Current draw	8 mA (normal) / 16 mA (max.) at 12 V DC
Alarm memory	See Section 7-3.
D.L. terminal	See Section 7-1.



### Note>>

- This unit is designed to detect movement of an intruder and activate an alarm control panel.
- Being only a part of a complete system, we cannot accept responsibility for any damages or other consequences resulting from an intrusion.



**OPTEX CO., LTD. (JAPAN)**

URL: <http://www.optex.net>

**OPTEX INC. (U.S.)**  
URL: <http://www.optexamerica.com>

**OPTEX DO BRASIL LTDA. (Brazil)**  
URL: <http://www.optex.net/br/es/esc>

**OPTEX (EUROPE) LTD. / EMEA HQ (U.K.)**  
URL: <http://www.optex-europe.com>

**OPTEX TECHNOLOGIES B.V. (The Netherlands)**  
URL: <http://www.optex.eu>

**OPTEX SECURITY SAS (France)**  
URL: <http://www.optex-security.com>

**OPTEX SECURITY Sp.z o.o. (Poland)**  
URL: <http://www.optex.com.pl>

**OPTEX PINNACLE INDIA, PVT., LTD. (India)**  
URL: <http://www.optex.net/in/en/sec>

**OPTEX KOREA CO.,LTD. (Korea)**  
URL: <http://www.optexkorea.com>

**OPTEX (DONGGUAN) CO.,LTD. SHANGHAI OFFICE (China)**  
URL: <http://www.optexchina.com>

**OPTEX (Thailand) CO., LTD. (Thailand)**  
URL: <http://www.optex.net/th/th>

Copyright (C) 2016 OPTEX CO.,LTD.



## INSTALLATION INSTRUCTIONS



PASSIVE INFRARED DETECTOR

**CX-702, CX-702V**

\*The CX-702 is UL Listed per UL639, Intrusion-Detection Units.  
\*The CX-702V has not been investigated by UL.

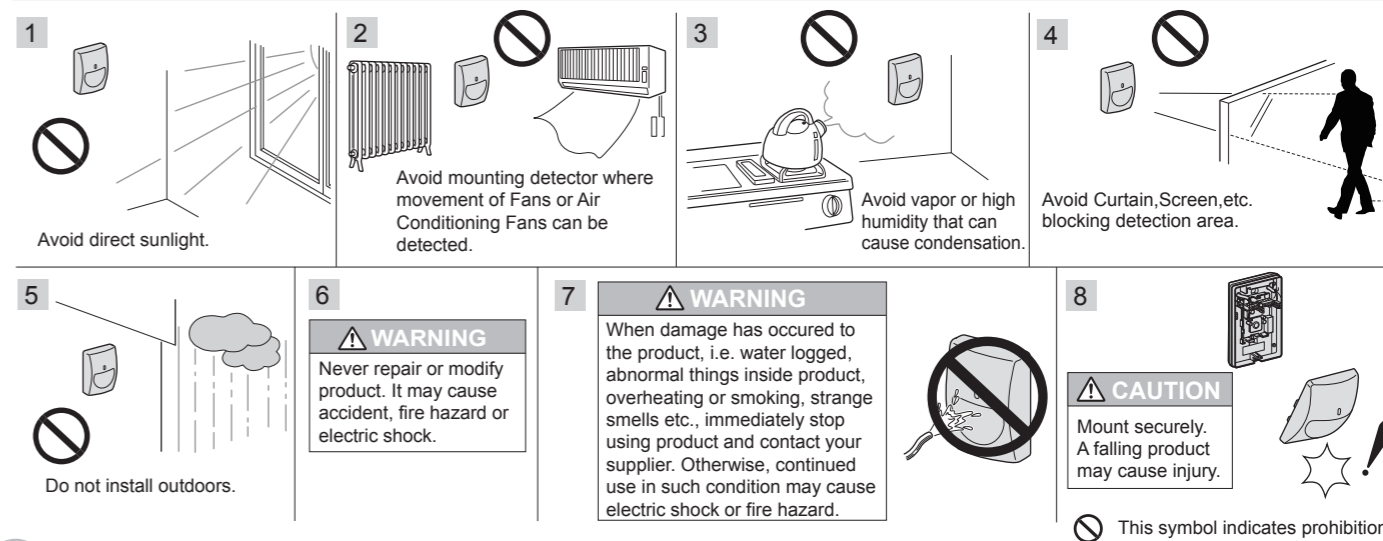
### FEATURES

- Dual Purpose Lens: Selectable "WIDE ANGLE" and "LONG RANGE" detection patterns
- Double Conductive Shielding of the pyroelectric element Extremely High Light and RFI Immunity (Patent listed)
- Multifocus Optics Design (Patent listed)
- LED On / Off Switch
- Sealed Optics
- Easy Installation
- Alarm Memory (CX-702V Only)
- LED Remote Control Terminal (CX-702V Only)

### OPTION

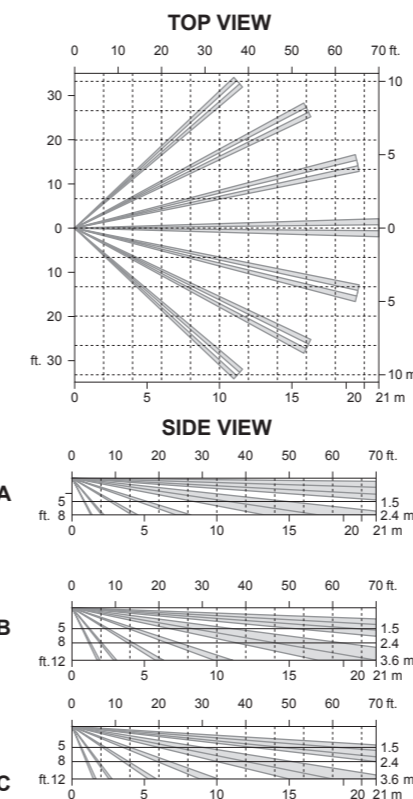
- CA-1W : Wall Mount Bracket : adjustable ±45° (Horizontally), 0 to 20° (Vertically downwards)
- CA-2C : Ceiling Bracket : adjustable ±45° (Horizontally), 0 to 20° (Vertically downwards)

## 1 INSTALLATION HINTS

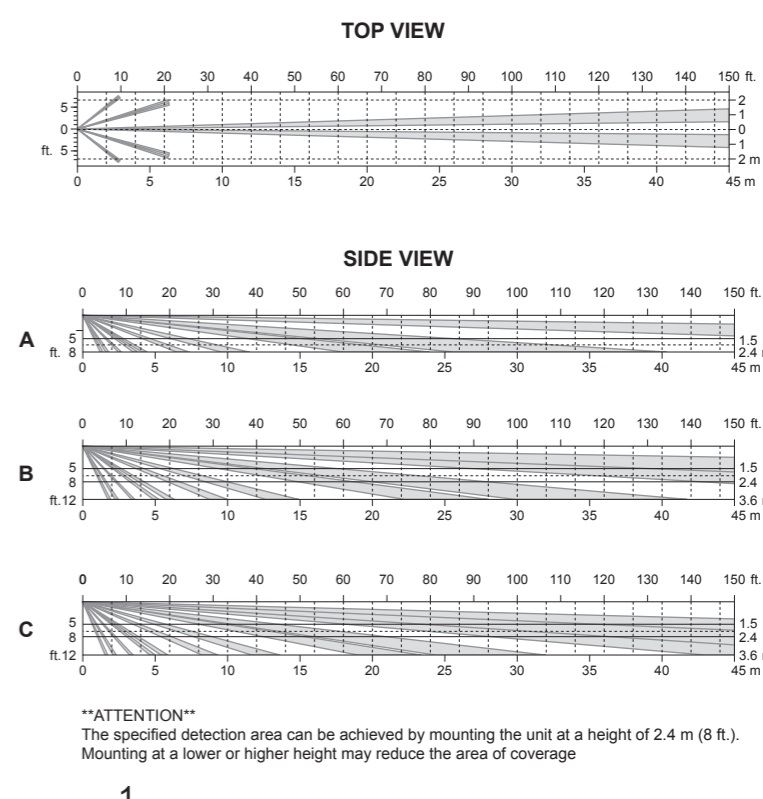


## 2 DETECTION AREA

### WIDE ANGLE

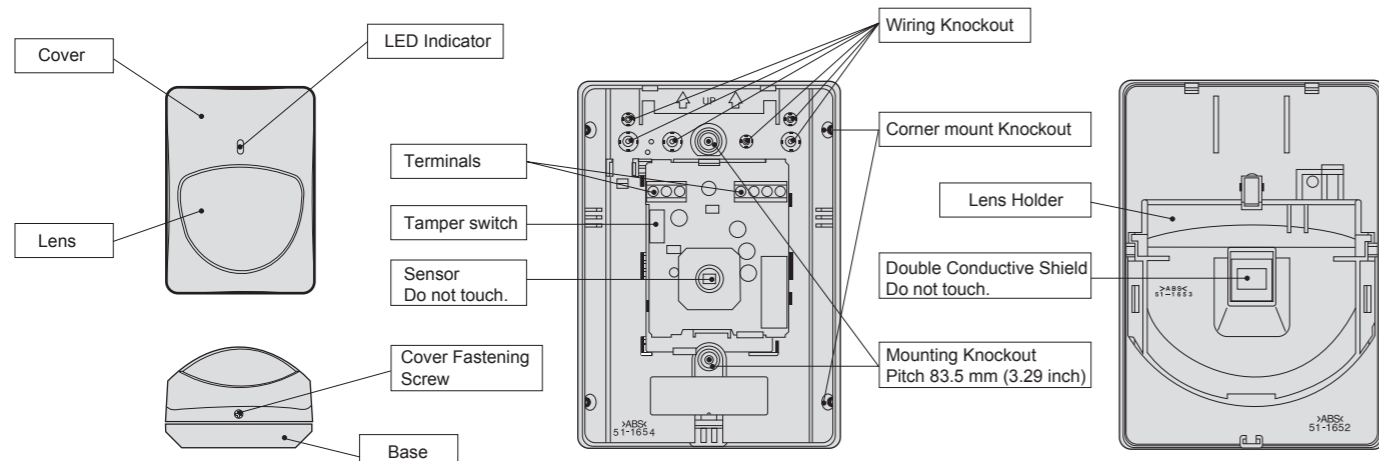


### LONG RANGE

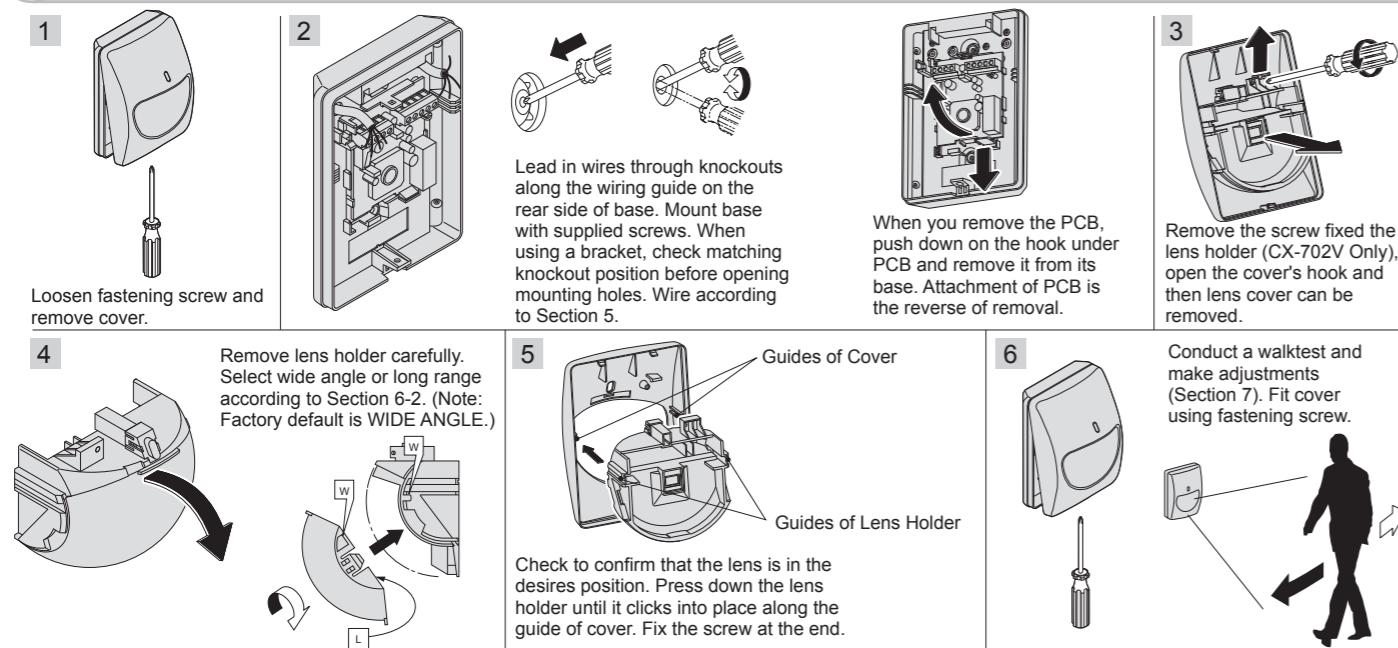


\*\*ATTENTION\*\*  
The specified detection area can be achieved by mounting the unit at a height of 2.4 m (8 ft.).  
Mounting at a lower or higher height may reduce the area of coverage

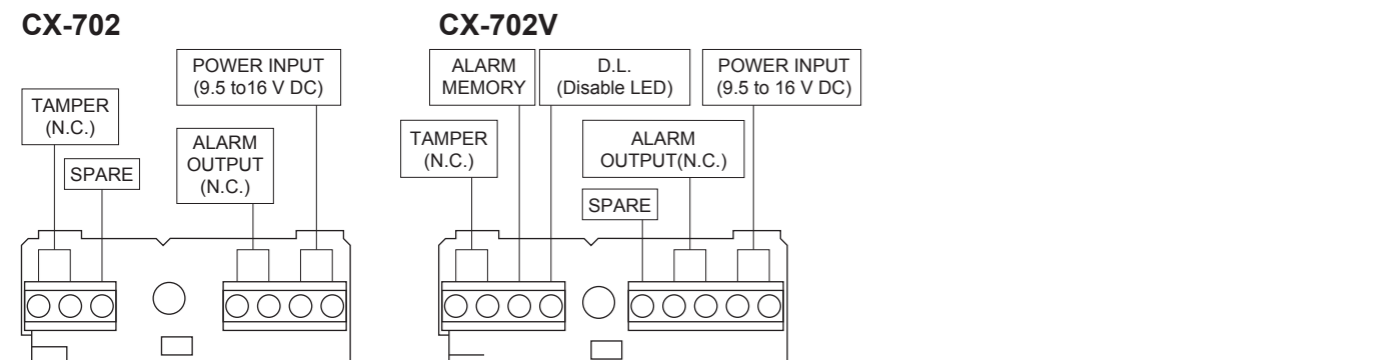
### 3 DESCRIPTION AND OPERATION



### 4 INSTALLATION



### 5 WIRING



Power wires should not exceed the following lengths.

WIRE SIZE	CX-702		CX-702V	
	12 V	14 V	12 V	14 V
AWG 22 (0.33 mm <sup>2</sup> )	520 m (1700 ft)	1130 m (3700 ft)	360 m (3700 ft)	770 m (2520 ft)
AWG 20 (0.52 mm <sup>2</sup> )	820 m (2690 ft)	1780 m (5830 ft)	560 m (1830 ft)	1220 m (4000 ft)
AWG 18 (0.83 mm <sup>2</sup> )	1310 m (4290 ft)	2850 m (9350 ft)	900 m (2950 ft)	1960 m (6430 ft)

- When using two or more units on one wire, the maximum length is obtained by dividing the maximum wire length listed above by the number of units used.
- UL requires CX-702 to be connected to a UL listed power supply capable of providing a nominal input of 12 V DC 11 mA (max.) and battery standby time of 4 hours.
- For UL Listed systems, do not connect field wiring more than 25 ft. to Alarm Memory, and DL terminals.
- The equipment shall be installed in accordance with the National Electrical Code, NFPA 70.

### 6 ADJUSTMENTS FOR REQUIRED AREA PATTERN

The CX-702 is designed to provide ideal detection areas for different patterns ranging from 12 m (40 ft.) to 21 m (70 ft.) Wide Angle, and 24 m (80 ft.) to 45 m (150 ft.) Long Range. The following adjustments will provide ideal detection areas for each of these requirements.

- 1 DETERMINE THE AREA PATTERN**  
Before making adjustments, determine the pattern area, detection range mounting height.
- 2 SELECTING WIDE ANGLE OR LONG RANGE DETECTION**
  1. Inverting the lens will select either the Wide Angle or Long Range detection patterns.
  2. Please note markings "W (Wide Angle)" and "L (Long Range)", on each side of lens.
  3. For Wide Angle, "W" will be on top of lens.
  4. For Long Range, "L" will be on top of lens.

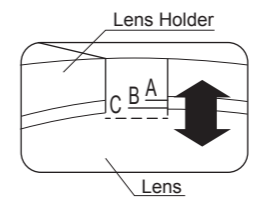
### 3 VERTICAL ADJUSTMENT OF DETECTION AREA

- Adjust the vertical angle according to the desired detection range and mounting height.
1. Set the upper edge of the lens at either the "A", "B" or "C" position.
  2. The following chart illustrates the different position setting.
  3. Confirm the detection area by conducting a walktest.

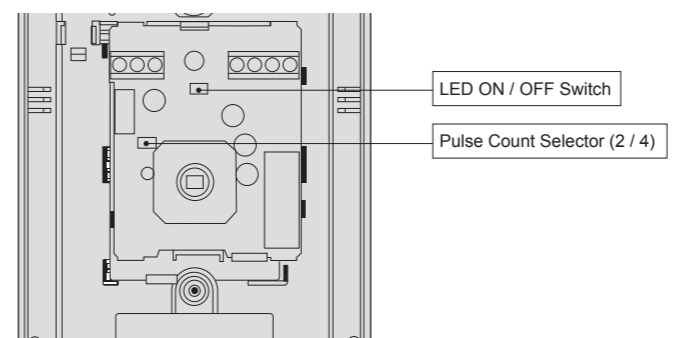
		W : WIDE ANGLE			
		DISTANCE			
		12 (40)	15 (50)	18 (60)	21 (70)
HEIGHT	1.8 (6)	B	A	A	A
	2.4 (8)	C	C	C	C
	3.6 (12)	C	C	C	C

		L : WIDE ANGLE			
		DISTANCE			
		24 (80)	15 (100)	36 (120)	45 (150)
HEIGHT	1.8 (6)	B	B	A	A
	2.4 (8)	C	C	C	C
	3.6 (12)	C	C	C	C

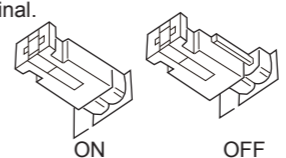


### 7 FUNCTIONS

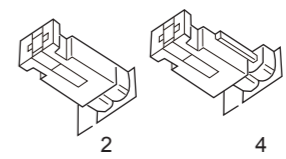


**CAUTION**  
Always conduct a walktest after changing the position of this switch to ensure the detector is still providing optimum coverage.

- 1 LED ON / OFF**  
Jumper Pin Switch  
The Alarm LED indicator can be switched either "ON" or "OFF".  
D.L. terminal (CX-702V Only)  
LED can be enabled or disabled remotely from control panel by D.L. terminal.  
1) Place Jumper Pin Switch in OFF position.  
2) LED "ON" :  
Connect DL terminal to common ground with detector. (0 to 1 V DC, grounded)  
LED "OFF" :  
No Connection to the DL terminal. (OPEN or +5 to 16 V DC)



- 2 PULSE COUNT**  
The Detection Mode can be switched to either "2" or "4" mode depending on the environmental conditions of the installation.  
2 : For normal applications.  
4 : For use in hostile areas where there may be movement of small animals or other objects such as fax machines or curtains.  
When the "4" is selected, the detector's sensitivity may seem sluggish. It is therefore important to always conduct a walktest to ensure that the desired coverage is given.



**CAUTION**  
Do not use pulse count 4 for Long Range detection.

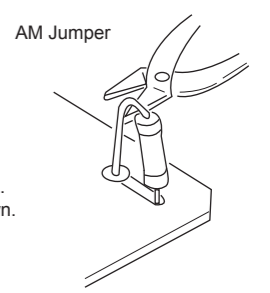
### 3 ALARM MEMORY ( CX-702V Only )

**Alarm Memory**  
This function is used to indicate if the detector was activated while the panel was armed. It will cause the red LED on the Detector to illuminate once the panel has been disarmed. Compatible Control Panel is required for Alarm memory. Connect A.M. terminal to Control Panel's Control Voltage Signal terminal (System Arming Status Voltage Output).

	CONTROL VOLTAGE SIGNAL	
	POSITIVE	NEGATIVE
System armed	OPEN or +5 to 16 V DC	0 to 1 V DC(grounded)
System Disarmed	0 to 1 V DC(grounded)	OPEN or +5 to 16 V DC

**Operation**  
If the unit triggered during armed period, when the system is disarmed, LED will remain lit to confirm that it reported an alarm.  
• Alarm Memory will operate even when LED is switched OFF.  
• Alarm Memory will not operate while system is disarmed.  
• After Alarm Memory latches, Alarm Output and LED operate normally during armed period.

**Reset**  
Alarm Memory resets automatically when system is re-armed.



POSITIVE : Leave AM Jumper as it is.  
NEGATIVE : Cut AM Jumper as shown.