

Installation Guide

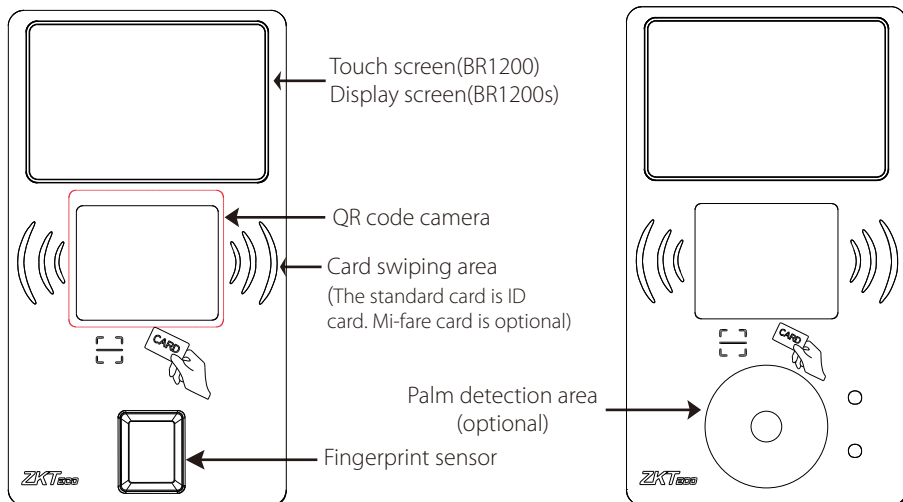
BR1200 Series

Version: 1.0

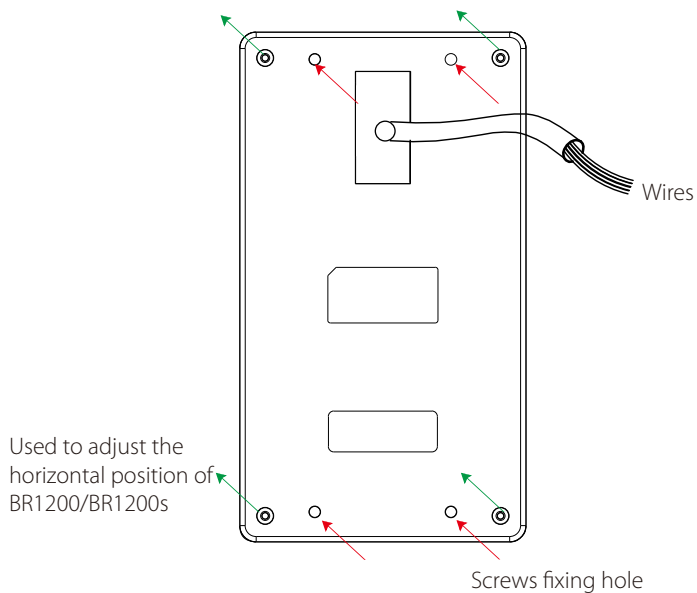
Date: January 2019

1, Overview

Front view



Rear view



2. Introduction

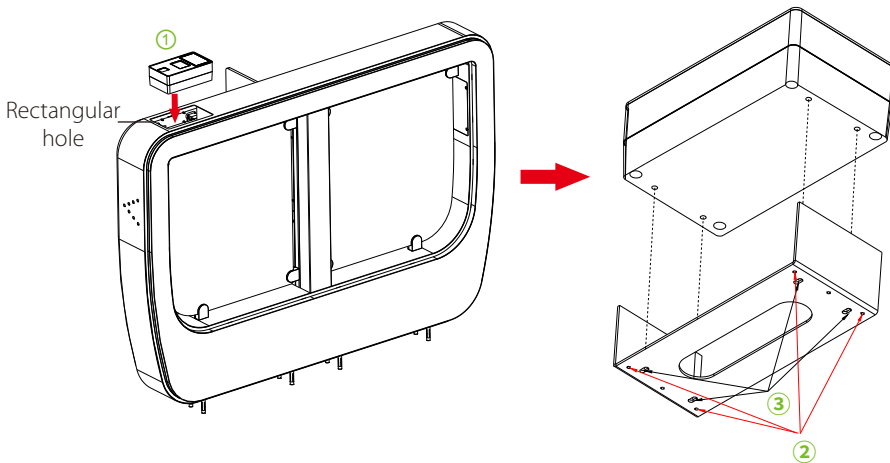
BR1200 supports ID/Mifare card, fingerprint/palm and QR code recognition methods. It is mainly used as a master device embedded in the barrier. It can be used for data collection and verification. It has a 2.8-inch touch screen (187mmx105mmx66mm) and good human-machine interaction.

BR1200s is mainly used as a slave device for BR1200 or other access control devices by RS232. It can be used for verification. It has the same appearance as BR1200 but with a non-touch display type, whereas BR1200 has touch display.

3. Installation

Steps:

1. Place the device horizontally inside the rectangular hole on the fixed bracket of the barrier.
2. Adjust the horizontal position of the device to make sure it completely flushes with the barrier.
3. Tighten and fix the device with M3 screws.



4. Verification Process

User verifies the card/fingerprint/palm/QR code



Data comparison



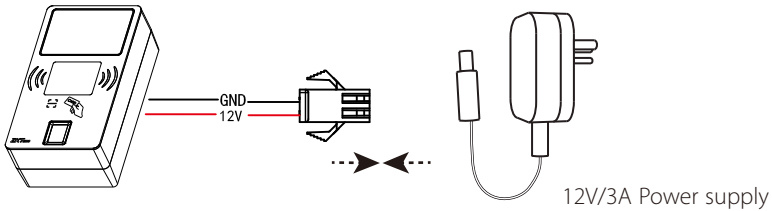
Verified successfully



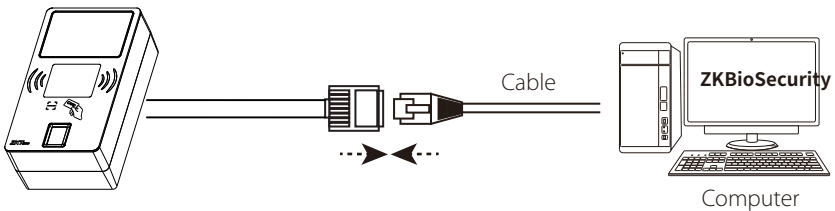
Barrier gate opens

5. Connection (BR1200)

Power Connection

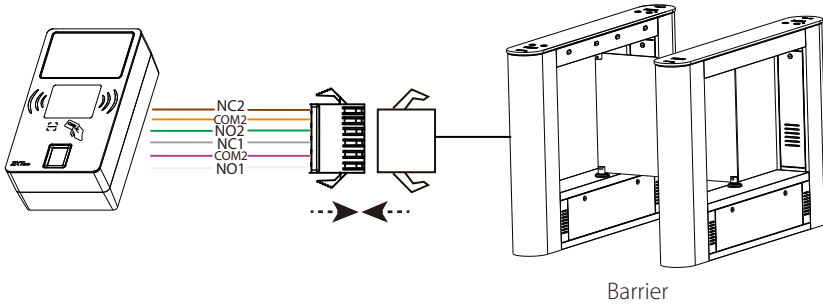


Ethernet Connection

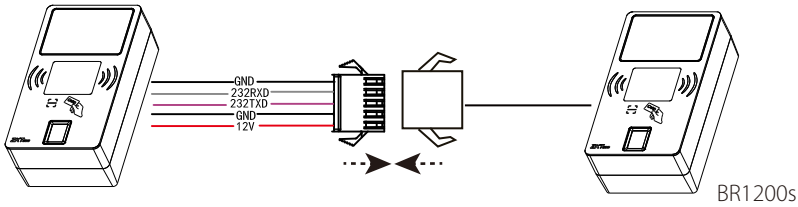


Barrier Connection

(By relay signal to open the barrier gate)



Connection with BR1200s

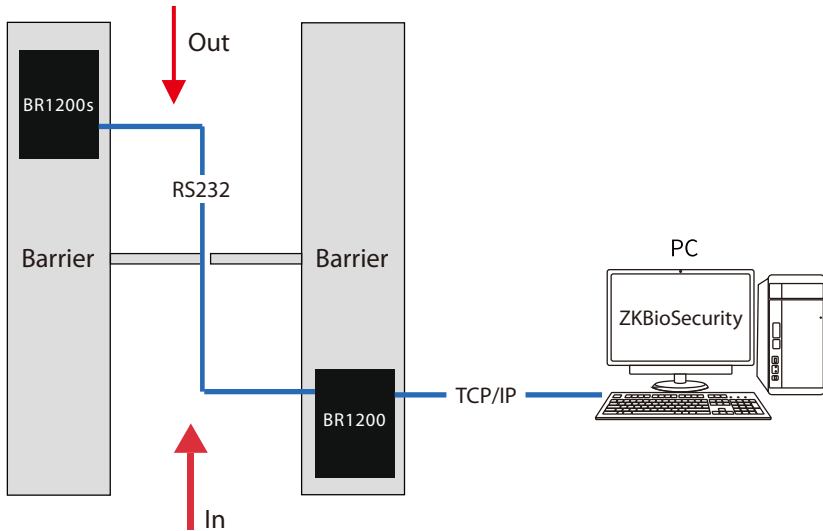


Note:

BR1200s can be connected with other access control device which supports RS232 communication. The connection method is same as above.

6. Application

BR1200 is installed at the entrance as a master device and is connected with ZKBioSecurity software through TCP/IP. BR1200s is installed at the exit and communicates with the master device via RS232 communication.



Notes:

- To connect the master and slave device by RS232 communication, the following ports should be connected correspondingly.

Master device	BR1200s
TXD-----	RXD
RXD-----	TXD
GND-----	GND

- BR1200s can only pass the verification if the serial port of BR1200 is set as master.
- BR1200 will open the LOCK1 after the verification, and BR1200s will open the LOCK2.
- To set the verification mode of the master device, enter the menu, click 'Access Control' --> 'Access Control Options' --> 'Verification Mode'. The option 'Verify Mode by RS232' can be used to set the verification mode of the slave device which is connected by RS232 communication.