

# Quick Installation Guide

## CAUTION

- Please make sure the mounting surface is strong enough to hold at least three times of the camera weight.
- Keep the protection film on the dome before installation and adjustment finished to avoid possible scratch.

## NOTE

For wooden mounting surface, expansion bolts are optional.

For the installation diagram and adjusting diagram of model A, see Figure 1-1 and Figure 1-2.

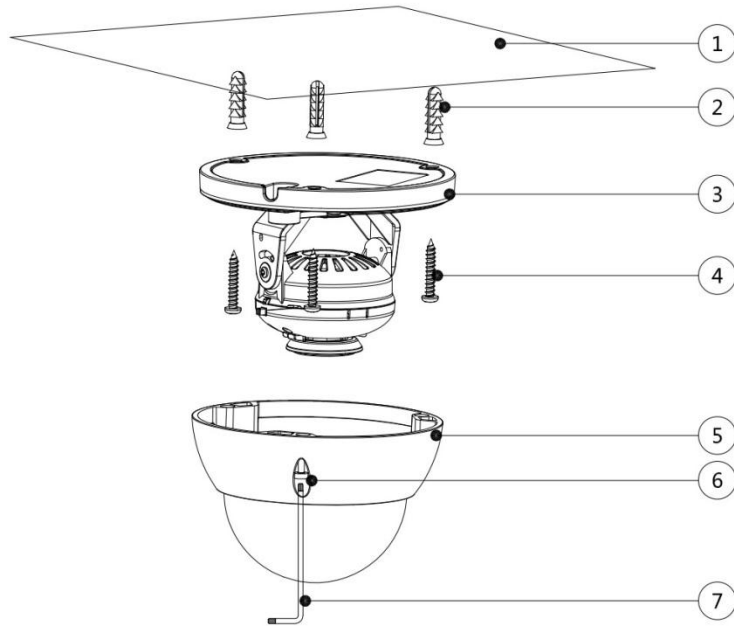


Figure 1-1

NO.	Item	NO.	Item	NO.	Item	NO.	Item
①	Mounting surface	②	Expansion bolt	③	Pedestal	④	Self-tapping screw
⑤	Dome	⑥	Fixing screw	⑦	Wrench		

Table 1-1

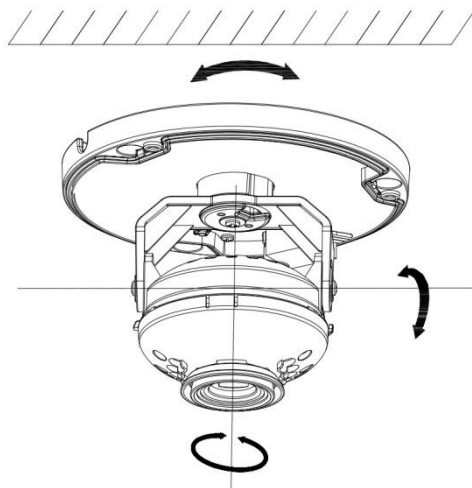


Figure 1-2

For the installation diagram and adjusting diagram of model B, see Figure 1-3 and Figure 1-4.

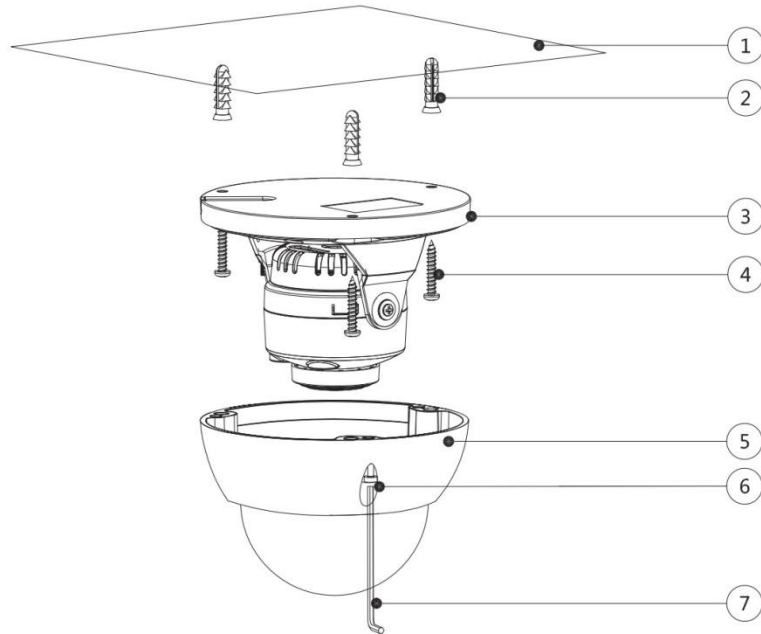


Figure 1-3

NO.	Item	NO.	Item	NO.	Item	NO.	Item
①	Mounting surface	②	Expansion bolt	③	Pedestal	④	Self-tapping screw
⑤	Dome	⑥	Fixing screw	⑦	Wrench		

Table 1-2

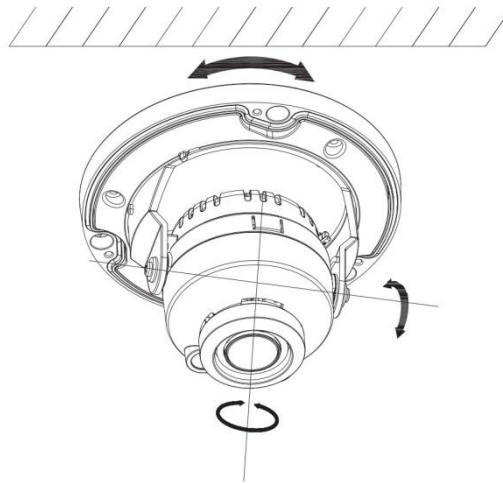


Figure 1-4

For the installation diagram and adjusting diagram of model C, see Figure 1-5 and Figure 1-6.

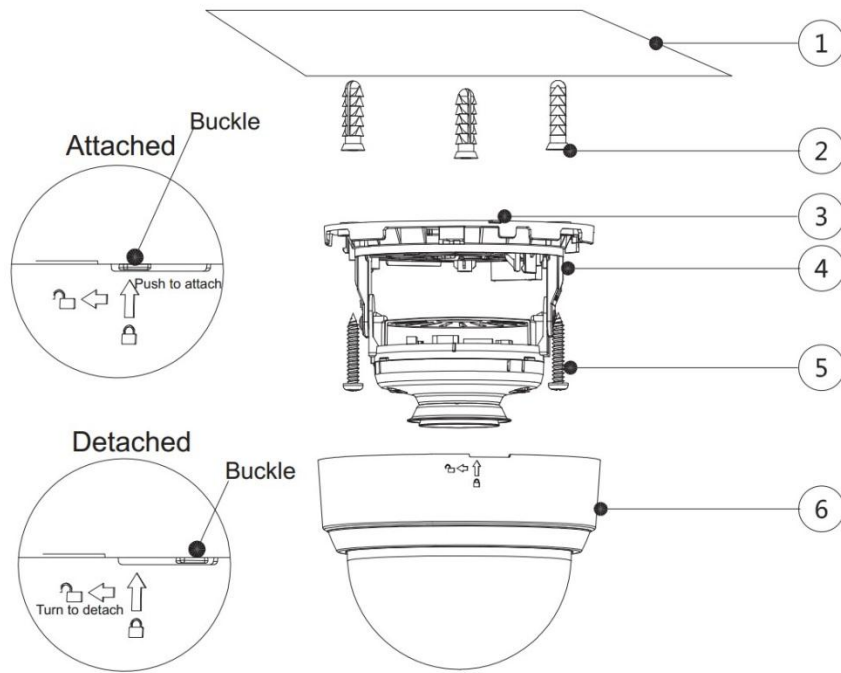


Figure 1-5

NO.	Item	NO.	Item	NO.	Item	NO.	Item
①	Mounting surface	②	Expansion bolt	③	Buckle	④	Pedestal
⑤	Self-tapping screw	⑥	Dome				

Table 1-3

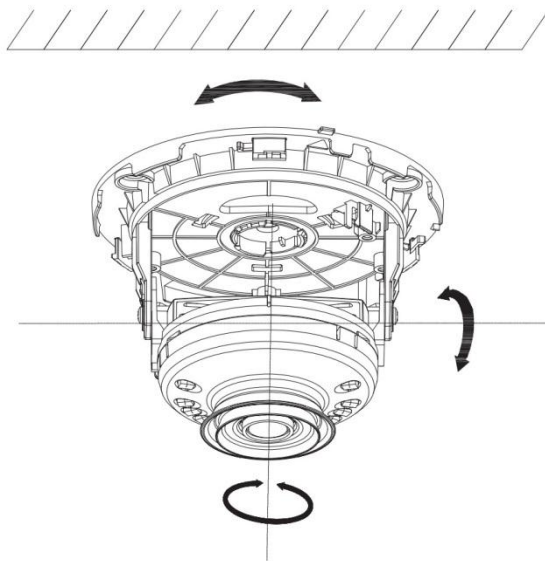


Figure 1-6

NOTE

This manual is for reference only, for more information, please visit our website or contact the local service engineer.