



# Metal Cabinet Loudspeaker

LBC 3018/01

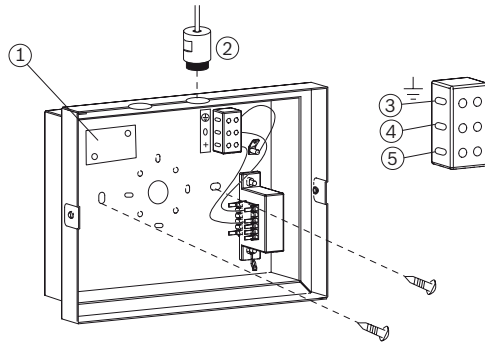


**BOSCH**

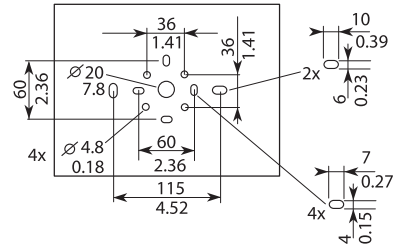
**en** Installation note



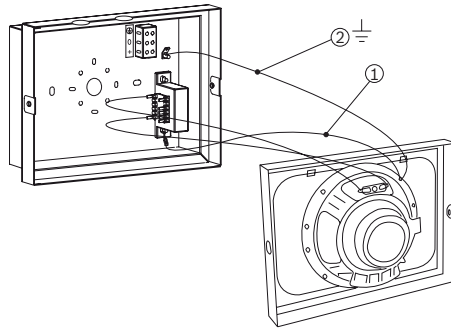
# 1 Installation



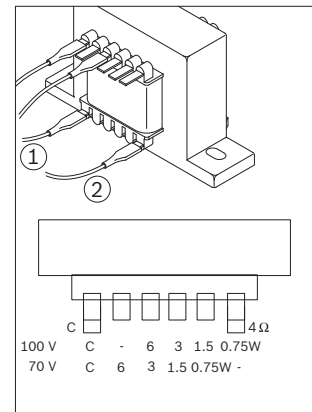
(1) Line/Loudspeaker Supervision Boards - (LBB4441, LBB4442, LBB4443), (2) Cable gland PG13 (not supplied), (3) Ground, (4) Common, (5) Phase



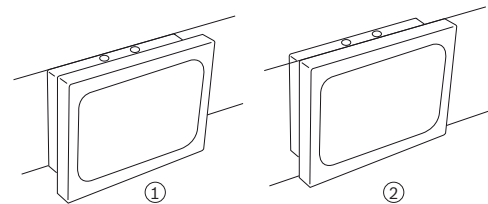
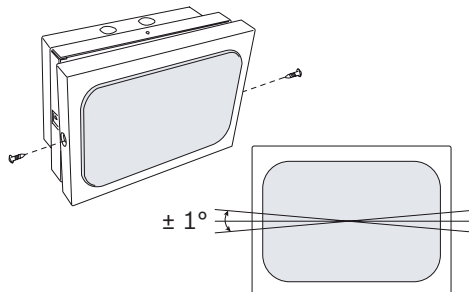
Mounting dimensions in mm/in



(1) Safety cord, (2) ground wire



(1) Common, (2) 4 ohm



(1) Surface mounted, (2) Recessed mounted

## 2 Technical data

### Electrical\*

Maximum power	9 W		
Rated power (PHC)	6 W		
Power tapping	6 / 3 / 1.5 / 0.75 W		
Sound pressure level at 6 W / 1 W (1 kHz, 1 m)	102 dB / 94 dB (SPL)		
Sound pressure level at 6 W / 1 W (1 kHz, 4 m)	88 / 80 dB (SPL)		
Effective frequency Range (-10 dB)	150 Hz to 20 kHz		
Opening angle at 1 kHz / 4 kHz (-6 dB)	120 ° / 55 °		
Rated voltage		70 V	100 V
Rated impedance	6 W	835 Ohm	1667 Ohm
	3 W	1667 Ohm	3333 Ohm
	1.5 W	3333 Ohm	6667 Ohm
	0.75 W	6667 Ohm	13333 Ohm
Connector	3-pole screw terminal block		

\* Technical performance data acc. to IEC 60268-5

### Mechanical

Dimensions (H x W x D)	195 x 260 x 80 mm (7.68 x 10.24 x 3.15 in)
Weight	2.6 kg (5.78 lb)
Color	White (RAL 9010)
Speaker size	152.4 mm (6 in)
Magnet weight	150 g (5.3 oz)

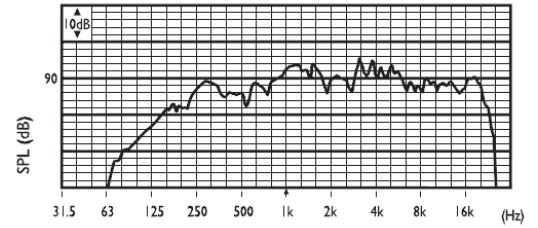
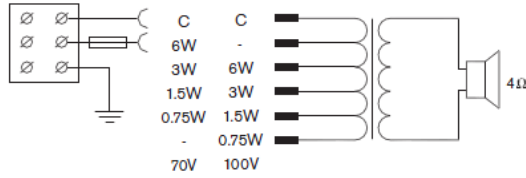
### Environmental

Operating temperature	-25 °C to +55 °C (-13 °F to +131 °F)
Storage and transport temperature	-40 °C to +70 °C (-40 °F to +158 °F)
Relative humidity	<95%

### Note:

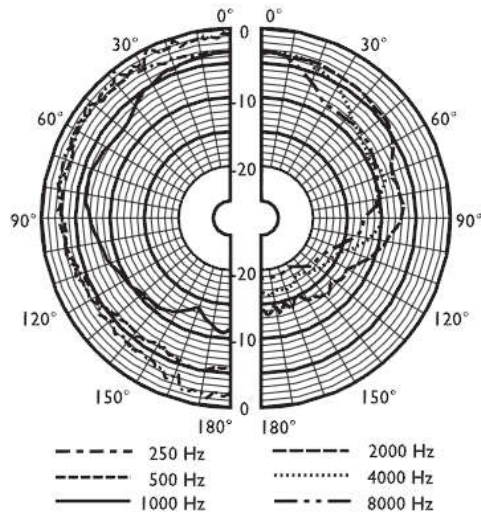
- The specification data is measured in an anechoic chamber, free field
- The reference axis is perpendicular to the center point of the front grille
- The reference plane is perpendicular to the center of the reference axis
- The horizontal plane is perpendicular to the center of the reference plane

## 2.1 Additional technical data




Circuit diagram

Frequency response



Polar diagram (measured with pink noise)

 1438
Bosch Security Systems BV Torenallee 49, 5617 BA Eindhoven, the Netherlands 11 1438/CPD/0202
EN 54-24:2008 Loudspeaker for voice alarm systems for fire detection and fire alarm systems for buildings  Metal Cabinet Loudspeaker 6 W LBC3018/01 Type A DoP: LP032920

CE label

**Bosch Security Systems B.V.**

Torenallee 49

5617 BA Eindhoven

Netherlands

**[www.boschsecurity.com](http://www.boschsecurity.com)**

© Bosch Security Systems B.V., 2016