



Unidirectional Sound Projector

LP1-UC10E-1, LP1-UC20E-1



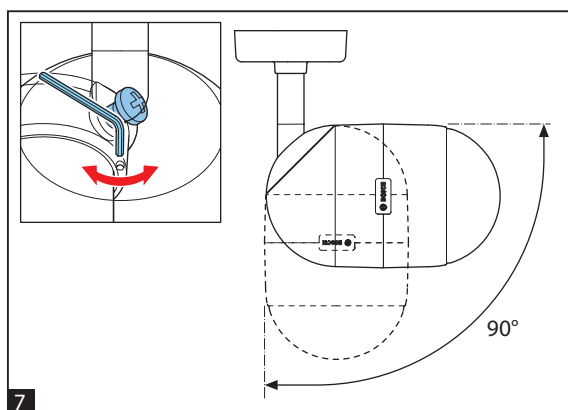
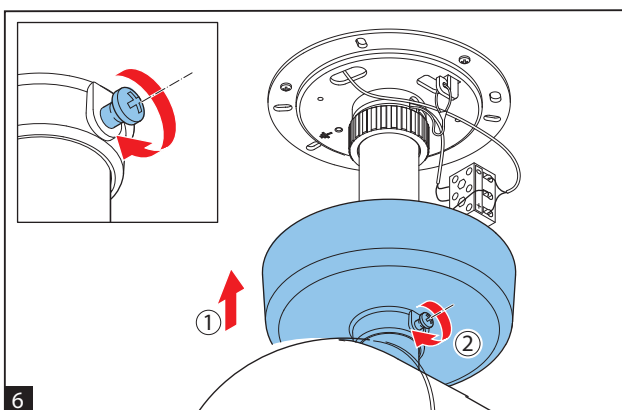
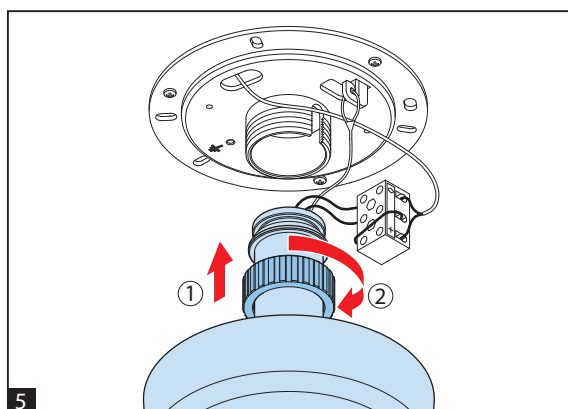
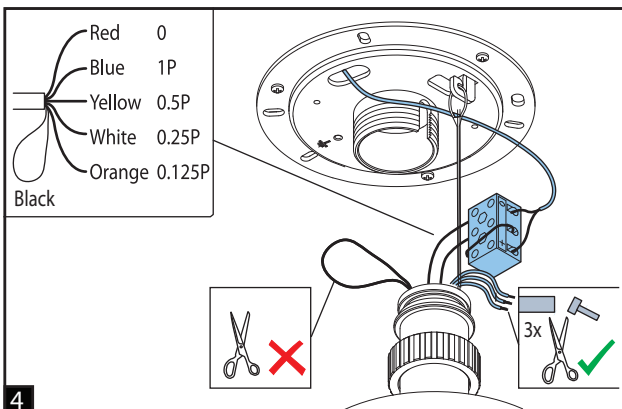
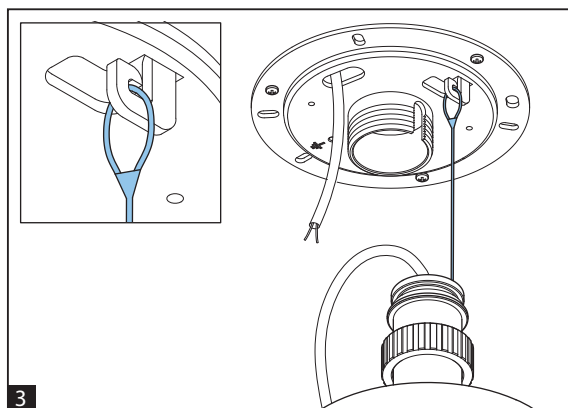
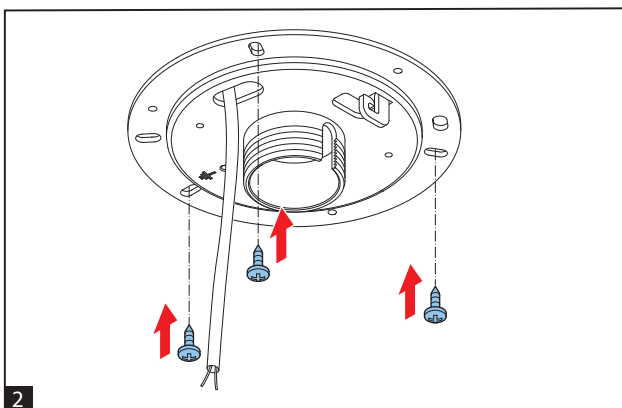
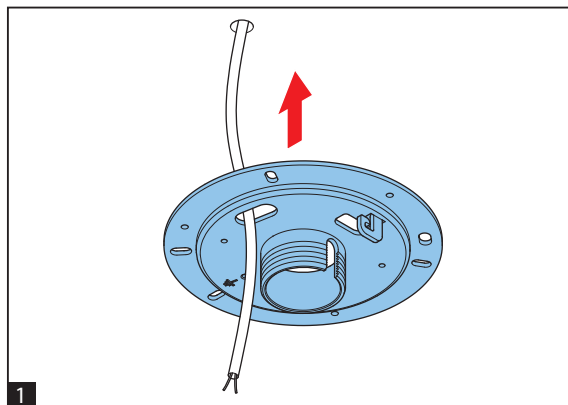
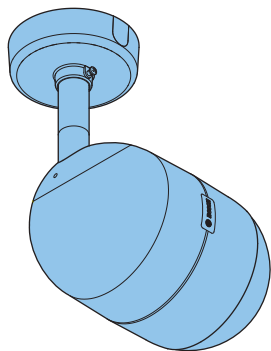
BOSCH

en Installation note

1

Installation

This document describes the installation procedure of the LP1-UC10E-1 / LP1-UC20E-1 Unidirectional Sound Projector.



2 Technical data

LP1-UC10E-1

Electrical*

Maximum power	15 W	
Rated power	10 / 5 / 2.5 W	
Sound pressure level at 10 W / 1 W (1kHz, 1 m)	96 dB / 86 dB (SPL)	
Sound pressure level at 10 W / 1 W (1kHz, 4 m)	88 dB / 78 dB (SPL)	
Opening angle at 1 kHz / 4 kHz (-6 dB)	220° / 65°	
Effective frequency range (-10 dB)	75 Hz to 20 kHz	
Rated voltage		100 V
Rated impedance	10 W	1000 Ohm
	5 W	2000 Ohm
	2.5 W	4000 Ohm
	1.25 W	8000 Ohm
Connector	3-pole screw terminal	

* Technical performance data according to IEC 60268-5

Mechanical

Dimensions (D x L)	185 x 300 mm (7.3 x 11.8 in.)
Weight	3 kg (6.6 lb)
Color	White (RAL 9010)
Material	ABS

Environmental

Operating temperature	-25 °C to +55 °C (-13 °F to +131 °F)
Storage and transport temperature	-40 °C to +70 °C (-40 °F to +158 °F)
Relative humidity	<95%

Note:

- The specification data is measured in an anechoic chamber, free field
- The reference axis is perpendicular to the center point of the front grille
- The reference plane is perpendicular to the center of the reference axis
- The horizontal plane is perpendicular to the center of the reference plane

LP1-UC20E-1**Electrical***

Maximum power	30 W	
Rated power	20 / 10 / 5 / 2.5 W	
Sound pressure level at 20 W / 1 W (1kHz, 1 m)	100 dB / 87 dB (SPL)	
Sound pressure level at 20 W / 1 W (1kHz, 4 m)	91 dB / 78 dB (SPL)	
Opening angle at 1 kHz / 4 kHz (-6 dB)	220° / 65°	
Effective frequency range (-10 dB)	75 Hz to 20 kHz	
Rated voltage		100 V
Rated impedance	20 W	500 Ohm
	10 W	1000 Ohm
	5 W	2000 Ohm
	2.5 W	4000 Ohm
Connector	3-pole screw terminal	

* Technical performance data accordance to IEC 60268-5

Mechanical

Dimensions (D x L)	185 x 300 mm (7.3 x 11.8 in.)
Weight	3 kg (6.6 lb)
Color	White (RAL 9010)
Material	ABS

Environmental

Operating temperature	-25 °C to +55 °C (-13 °F to +131 °F)
Storage and transport temperature	-40 °C to +70 °C (-40 °F to +158 °F)
Relative humidity	<95%

Note:

- The specification data is measured in an anechoic chamber, free field
- The reference axis is perpendicular to the center point of the front grille
- The reference plane is perpendicular to the center of the reference axis
- The horizontal plane is perpendicular to the center of the reference plane

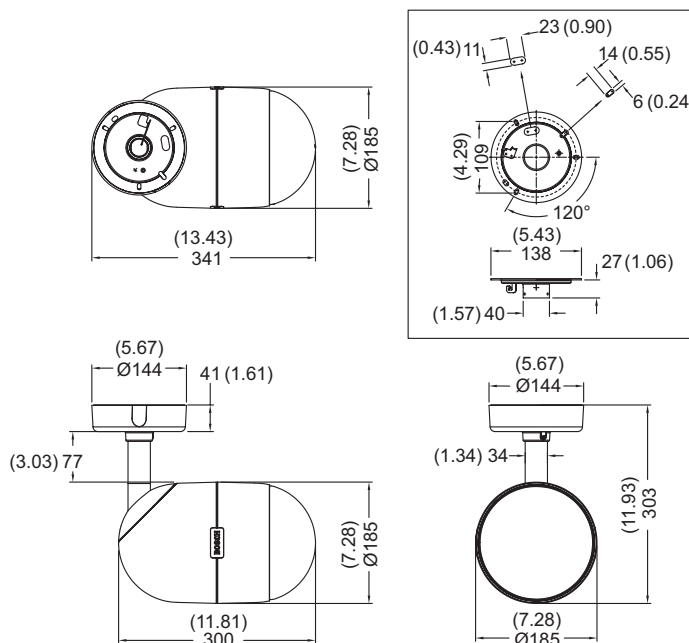


Figure 2.1: Dimensions in mm / (inch)

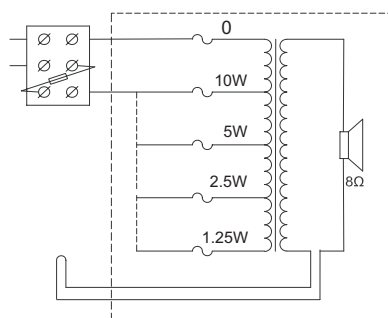


Figure 2.2: Circuit diagram LP1-UC10E-1

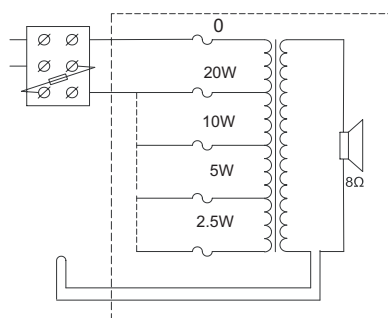
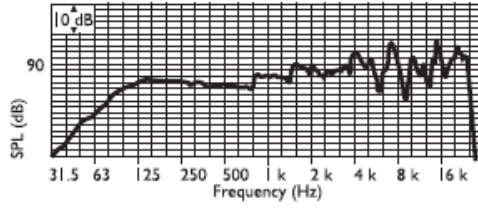
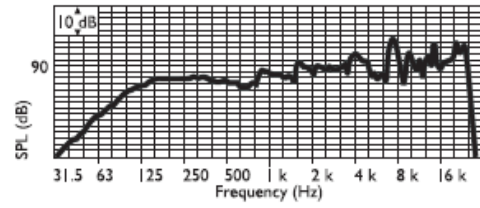


Figure 2.3: Circuit diagram LP1-UC20E-1



Frequency response LP1-UC10E-1



Frequency response LP1-UC20E-1

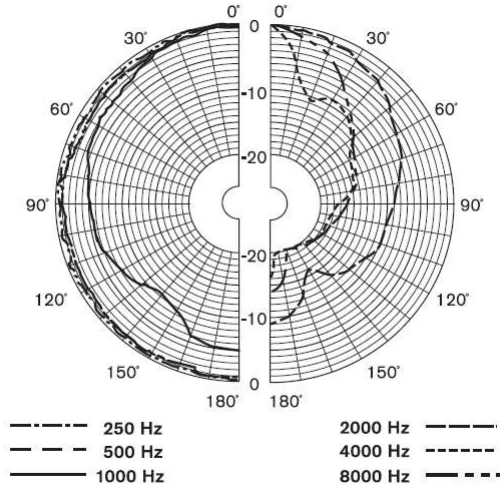


Figure 2.4: Polar diagram LP1-UC10E-1 / LP1-UC20E-1 (measured with pink noise)

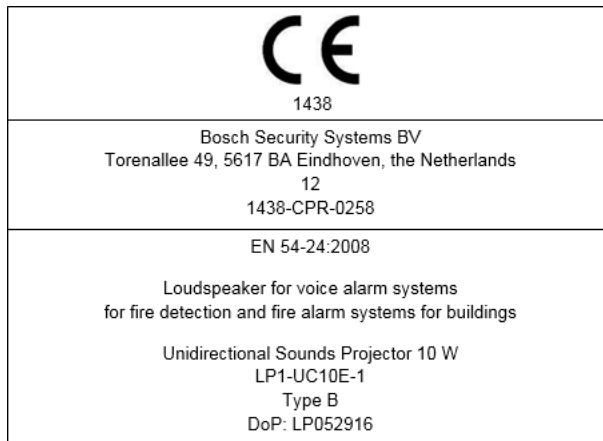


Figure 2.5: CE label

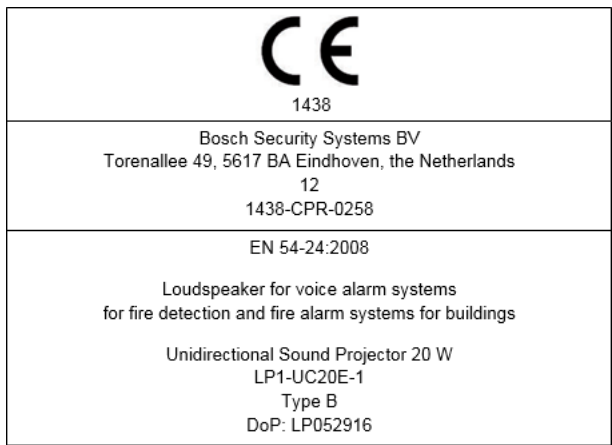


Figure 2.6: CE label

Bosch Security Systems B.V.

Torenallee 49

5617 BA Eindhoven

Netherlands

www.boschsecurity.com

© Bosch Security Systems B.V., 2016