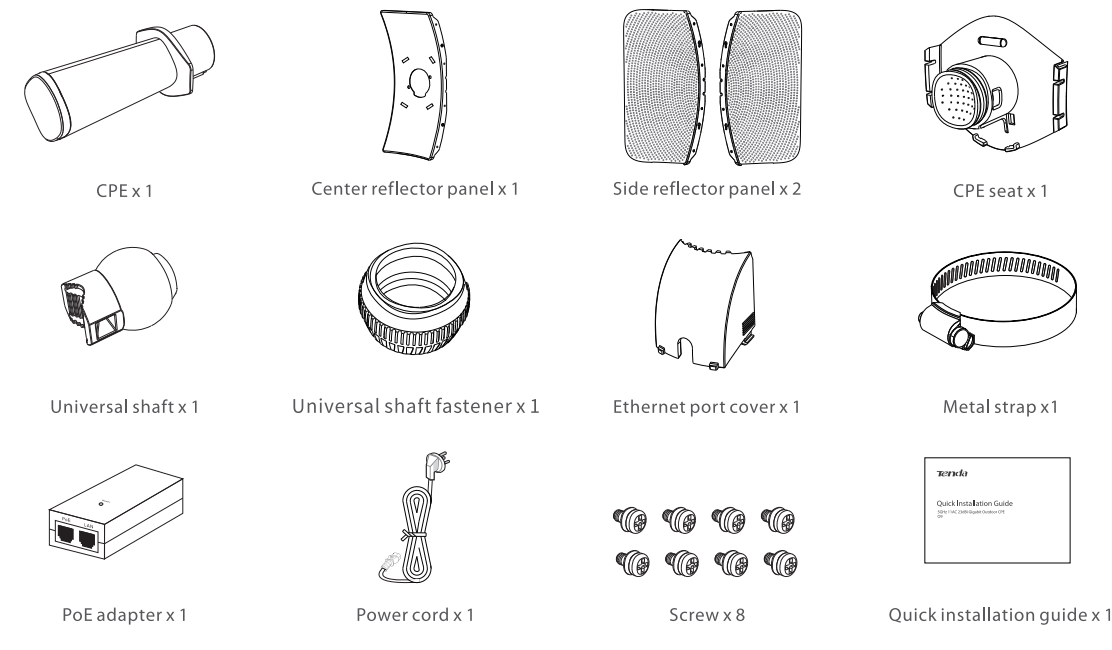


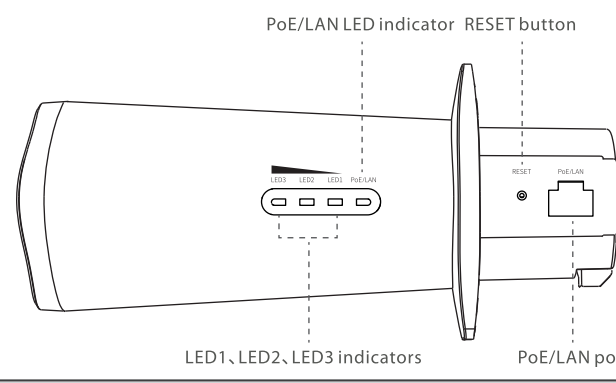
# Quick Installation Guide

5GHz 11AC 23dBi Gigabit Outdoor CPE  
O9

## Package contents



## Get to know your device



Port/Button	Description
RESET	Reset button. When the CPE is operating normally, hold down the button for about 8 seconds and release it when all LED indicators light up and then turn off. The CPE is restored to factory settings.
PoE/LAN	10/100/1000 Mbps auto negotiation port for both power input and data transmission. Connect this port to the PoE port of the PoE adapter to power on the CPE using an Ethernet cable (CAT5e or a better Ethernet cable is recommended, and the length should not exceed 60 meters).

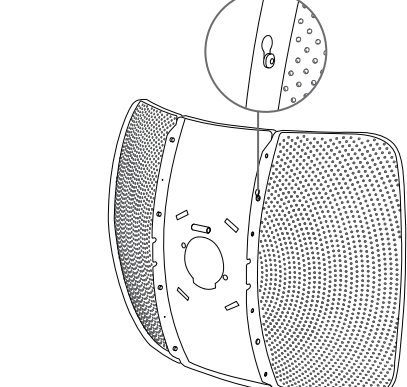
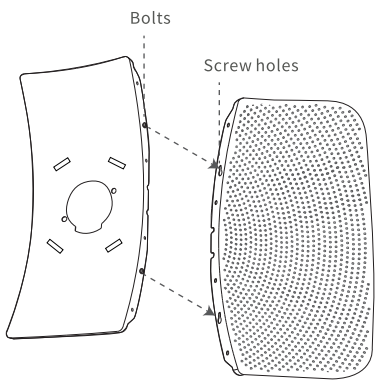
Indicator	Status	Description
LED1, LED2, LED3 (Received signal strength indicator)	Solid on/ Blinking	The CPE is successfully bridged or connected to other devices. -Solid on: The CPE works in AP, Repeater, P2MP or Router mode. -Blinking: The CPE works in Client, Universal repeater or WISP mode. Each LED indicator is set with a received signal strength value, which is the threshold for the corresponding LED indicator to light up. You can judge the connection quality through the status of these indicators. The default values are shown below.  You can change the values on the <b>Wireless &gt; Advanced</b> page in the web UI of the CPE.
	Off	No device is connected to the CPE in a wireless manner, or the received signal strength does not reach the minimum value (90dBm by default) for any LED indicator to light up.
PoE/LAN	Solid on	The CPE is powered on properly, but no data is being transmitted.
	Blinking	The CPE is powered on properly, and data is being transmitted over the port.
	Off	The CPE is not powered on properly.

## Assemble and install the CPE

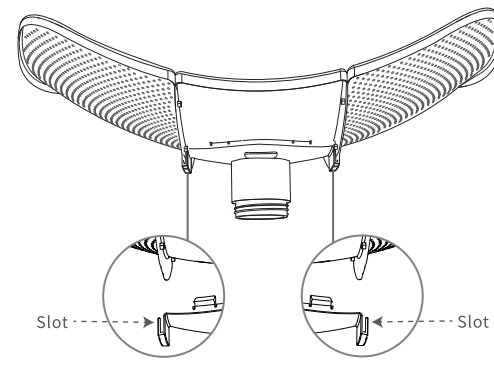
**Tips:** You may have to prepare a Phillips screwdriver, gloves and other tools to assemble and install the CPE.

### Step 1: Assemble the CPE.

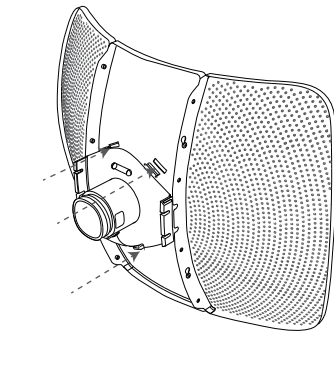
- Align the two bolts on one side of the center reflector panel with the long screw holes (the larger end) on the side reflector panel. Slide the center and side reflector panels in the opposite direction until the bolts fit into the smaller end.
- Repeat ① to fix another side reflector panel.



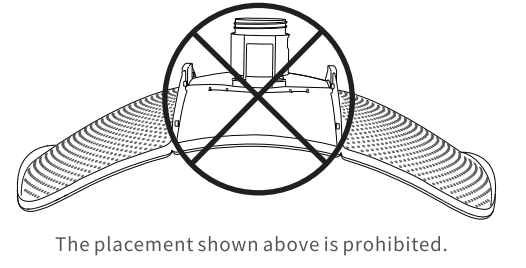
- Align the slots of the CPE seat with the abutted edges of the center reflector panel and side reflector panels, and four hooks of the CPE seat with the four slots of the center reflector panel.  
**Note:** When fixing the CPE seat, ensure that the orientations of Tenda Logos on both the CPE seat and the front side of center reflector panel are the same.



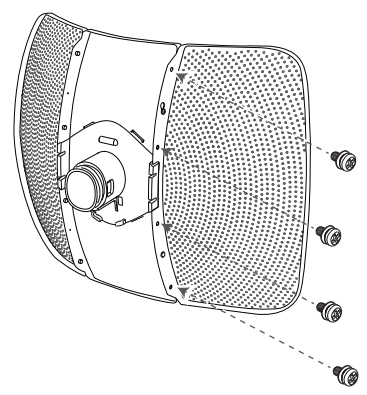
- Press the CPE seat to fit on the center reflector panel.



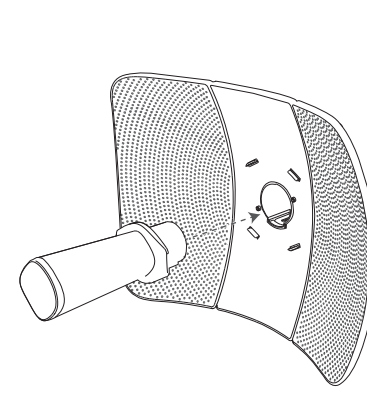
**Note:** To prevent the deformation of the reflector panels and decreasing of bridging quality, DO NOT face the reflector panels down and put them on a desk or a horizontal plane while and after fixing the CPE seat.



- Fix the reflector panels with the included screws.

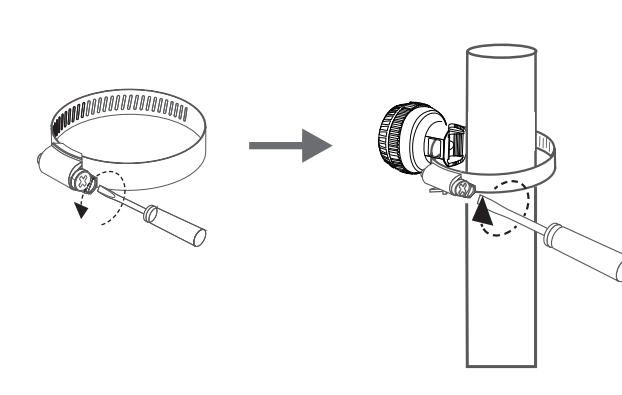


- Insert the CPE into the CPE seat from the front side of the center reflector panel.

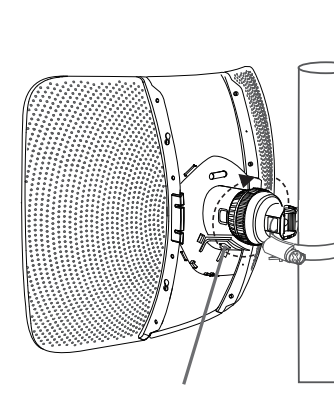


### Step 2: Install the CPE

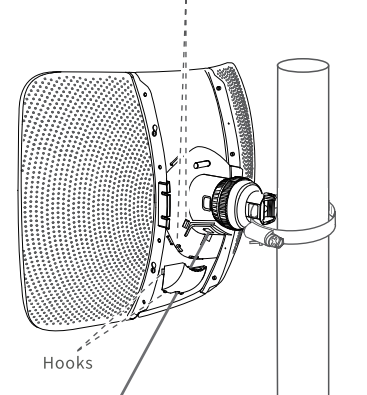
- Use a screwdriver to open the metal strap by turning the screw counter-clockwise. Put the universal shaft into the universal shaft fastener and fix the universal shaft and universal shaft fastener on the pole using the metal strap (Connect the two ends of the metal strap and use the screw driver to adjust the tightness).



- Direct the CPE seat at the universal shaft fastener, and screw the universal shaft fastener to fix the CPE (Ensure an appropriate tightness for you to adjust the orientation of the CPE later).
- Connect the PoE adapter to a power source and its LAN port to the PoE/LAN port of the CPE using an Ethernet cable. The PoE/LAN LED indicator of the CPE lights up.



- Adjust the orientation of the CPE to the horizontal with a spirit level. When the LED1, LED2 and LED3 indicators all light up after installation, it indicates that the best location is found.
- Fasten the universal shaft fastener and fix the Ethernet port cover.



## Scenario 1: CCTV surveillance or point to point data transmission

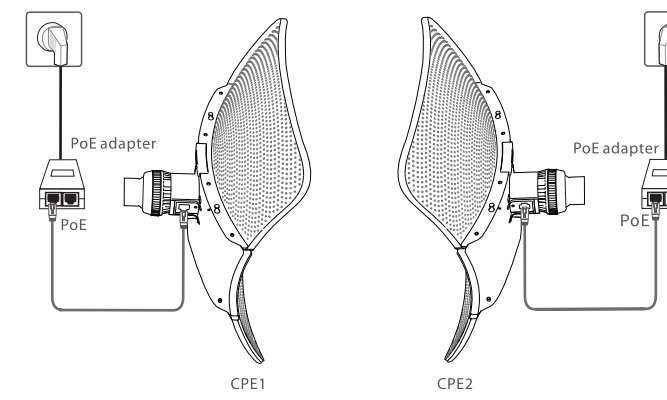
**Tips:** At least two CPEs are required for bridging.

### 1. Set up the CPEs (AP mode + Client mode)

#### Option 1: Automatic bridging (recommended)

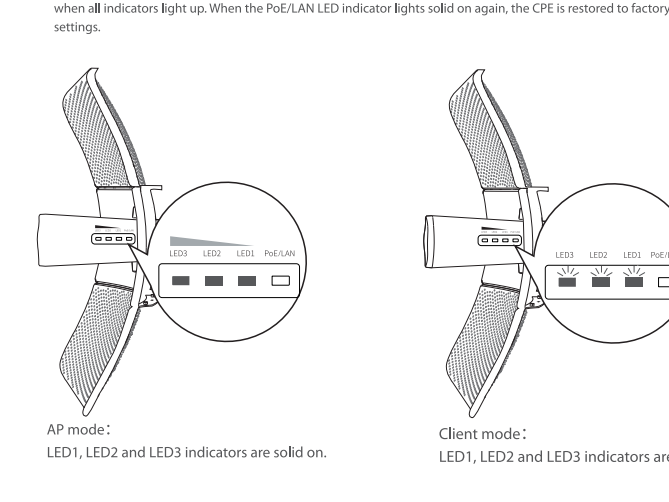
**Tip:** Automatic bridging only works for CPEs in factory settings.  
-After on-power automatic bridging, only LED1 (two or more powered CPEs in factory settings are allowed) will blink.  
-After the bridging succeeds, the DHCP server of the CPE will be disabled automatically. The IP address of the CPE working in AP mode remains 192.168.2.1, and the IP address of the CPE working in Client mode is changed to 192.168.2.2.

- Place two CPEs in factory settings next to each other.
- Use Ethernet cables to connect the PoE/LAN port of the CPEs to the PoE port of the PoE adapters.
- Use the included power cords to connect the PoE adapters to power sources. The PoE/LAN LED indicators of the two CPEs light up.



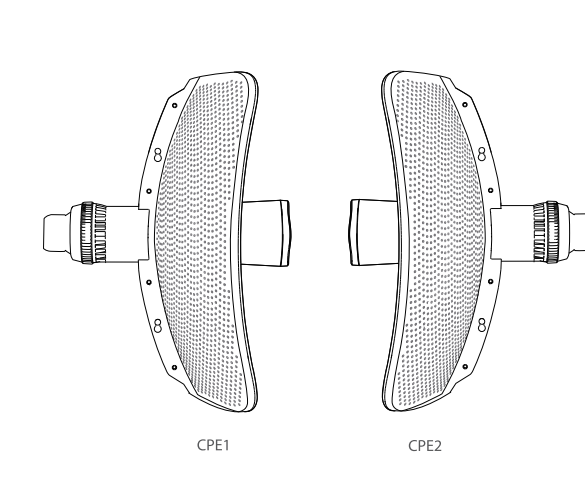
The LED1, LED2 and LED3 indicators of the two CPEs blink fast. When the LED1, LED2 and LED3 indicators of one CPE light solid on and those of the other CPE blink slow, the automatic bridging succeeds.

**Tip:** If the automatic bridging fails, return the two CPEs to factory settings and try again. To restore a CPE to factory settings, hold down the RESET button on the CPE for about 8 seconds and release it when all indicators light up. When the PoE/LAN LED indicator lights solid on again, the CPE is restored to factory settings.

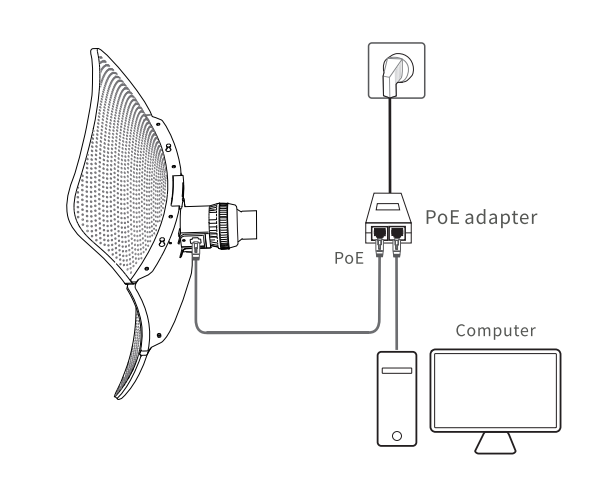


#### Option 2: Manual bridging

- Place two CPEs next to each other.

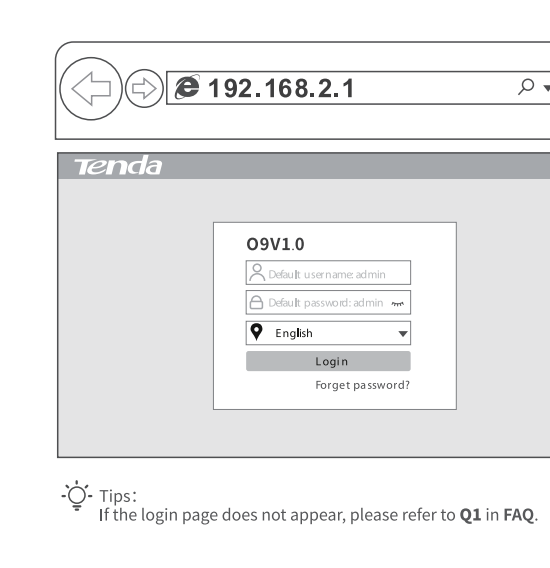


- Power on CPE1 and connect it to a computer.
- Use the included PoE adapter to power on the CPE1. The PoE/LAN LED indicator of CPE1 lights up.
- Connect the PoE adapter to a power source and its LAN port to the PoE/LAN port of the CPE using an Ethernet cable. The PoE/LAN LED indicator of the CPE lights up.

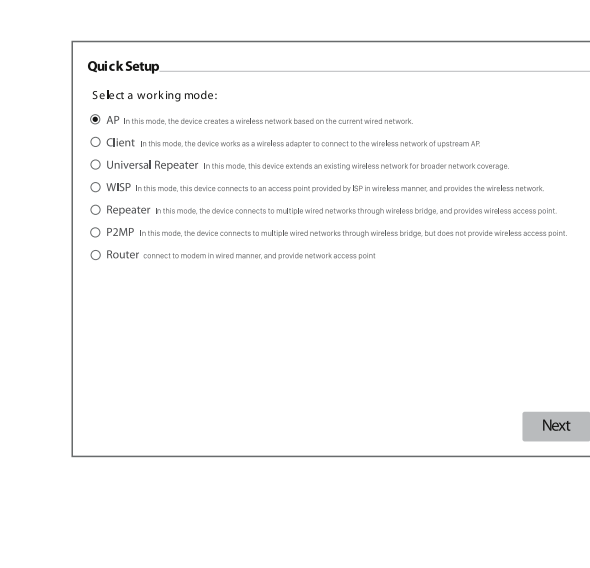


#### Step 3: Set CPE1 to AP mode.

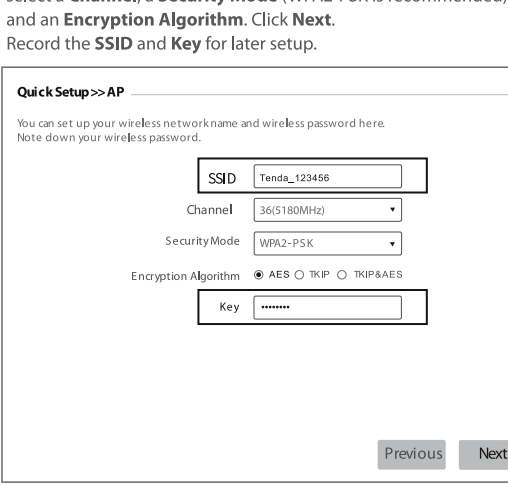
- Start a web browser on the computer and visit 192.168.2.1. Enter the login user name and password and click **Login**.



- Select **AP**, and click **Next**.

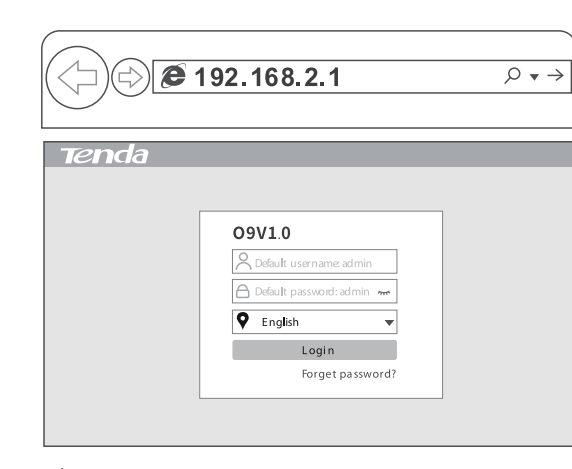


- Customize your SSID (WiFi name) and Key (WiFi password), select a **Channel**, a **Security Mode** (WPA2-PSK is recommended), and an **Encryption Algorithm**. Click **Next**. Record the SSID and Key for later setup.

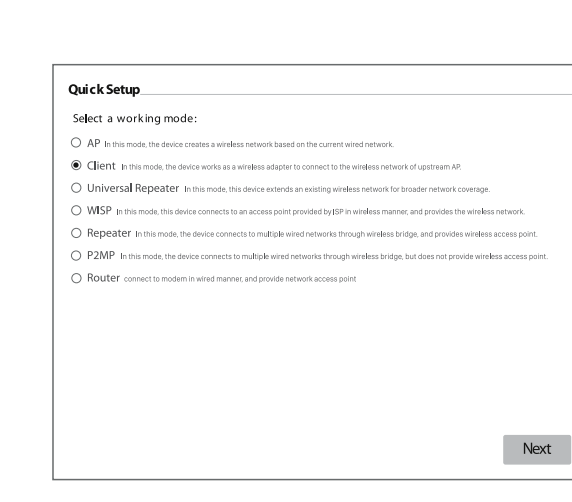


#### Step 4: Set CPE2 to Client mode.

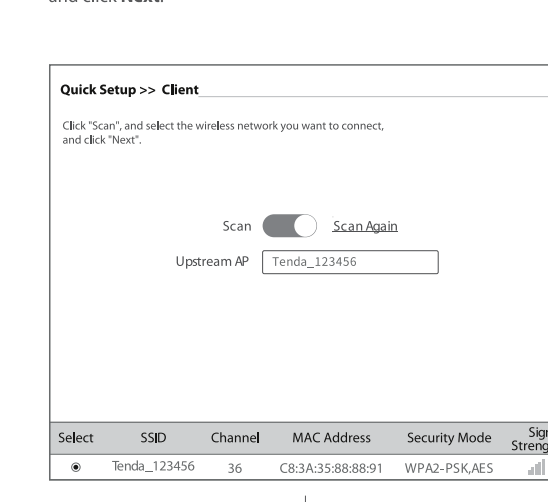
- Perform Step 2 to power on the CPE2 and connect it to a computer.
- Start a web browser on the computer and visit 192.168.2.1. Enter the login user name and password and click **Login**.



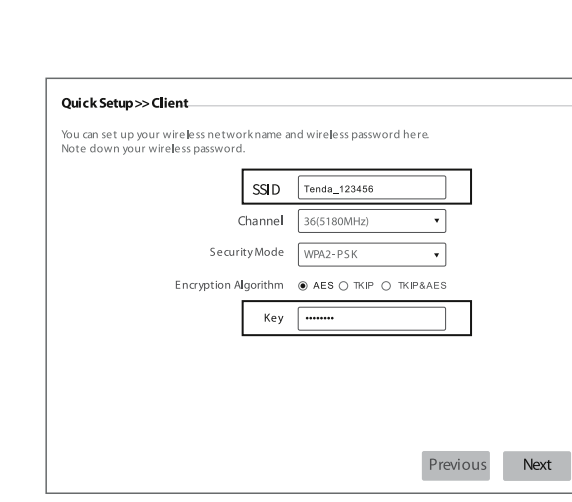
- Select **Client**, and click **Next**.



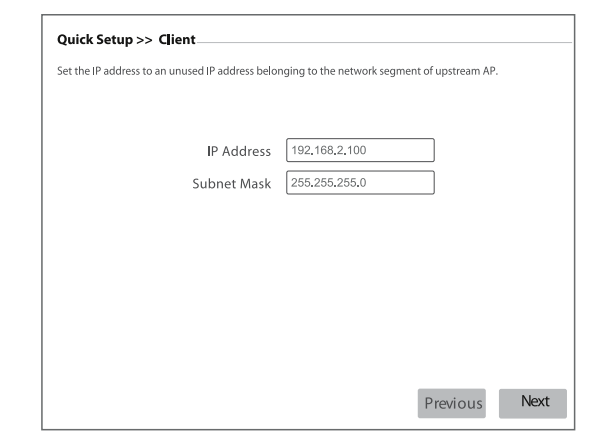
- Select the SSID of CPE1, which is **Tenda\_123456** in this example, and click **Next**.



- Enter the **Key** of CPE1, and click **Next**.



- Set the IP address to an unused one belonging to the same network segment as that of CPE1. For example, if the IP address of CPE1 is 192.168.2.1, you can set this device's IP address to 192.168.2.X (X ranges from 2 to 254). Then click **Next**.



- Click **Save**, and wait until the CPE reboots automatically to activate the settings.

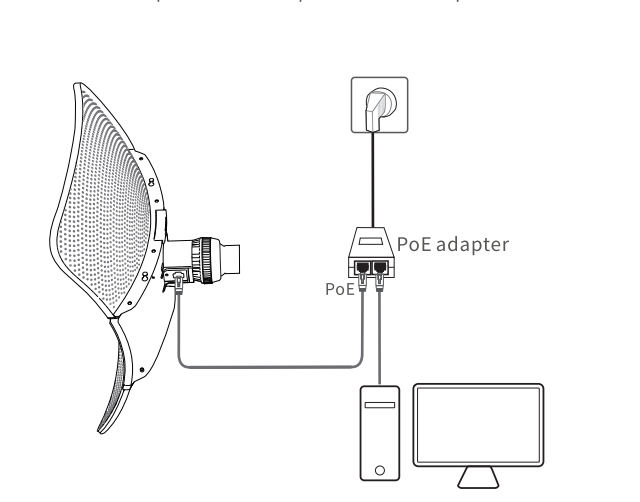
**Tip:** If the login page does not appear, please refer to Q1 in FAQ.

## Scenario 2: Wireless ISP hotspot access

### 2. Application scenario

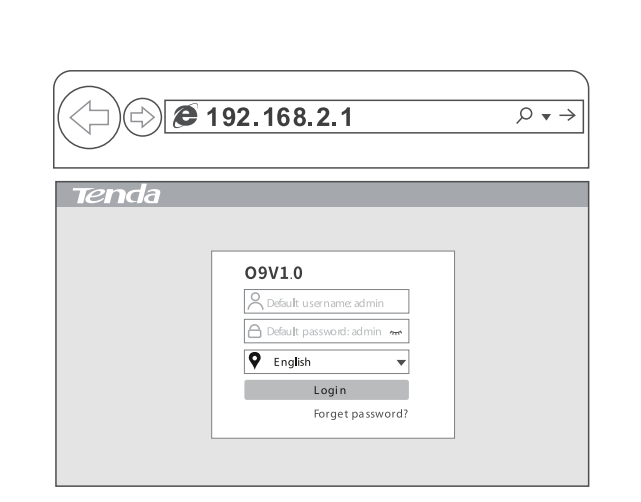
#### 1. Set up the CPE

- Power on the CPE and connect it to a computer.
- Use an Ethernet cable to connect the PoE/LAN port of the CPE to the PoE port of the PoE adapter.
- Use the included power cord to connect the PoE adapter to a power source.
- Connect a computer to the LAN port of the PoE adapter.

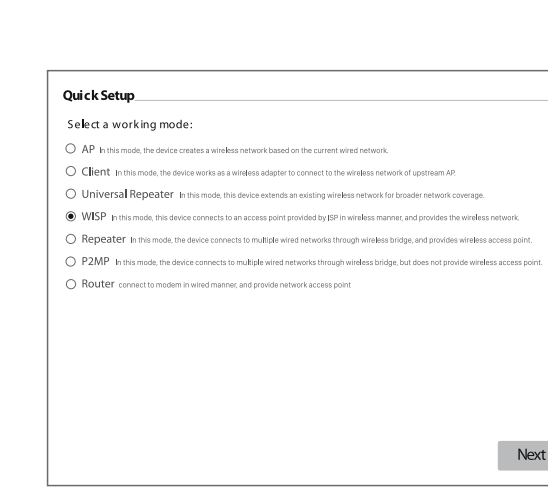


#### Step 2: Set the CPE to WISP mode.

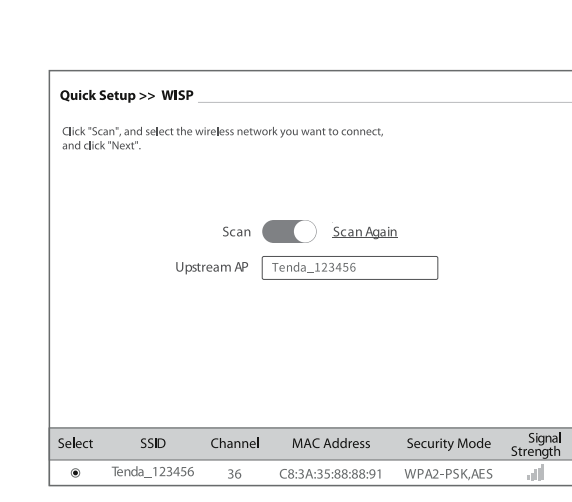
- Start a web browser on the computer and visit 192.168.2.1. Enter your user name and password and click **Login**.



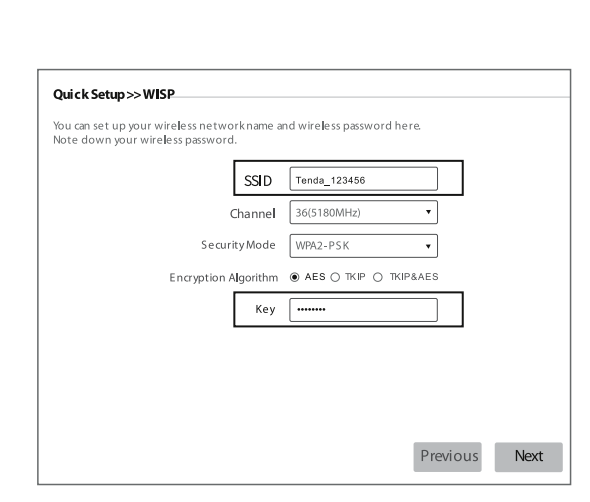
- Select **WISP**, and click **Next**.



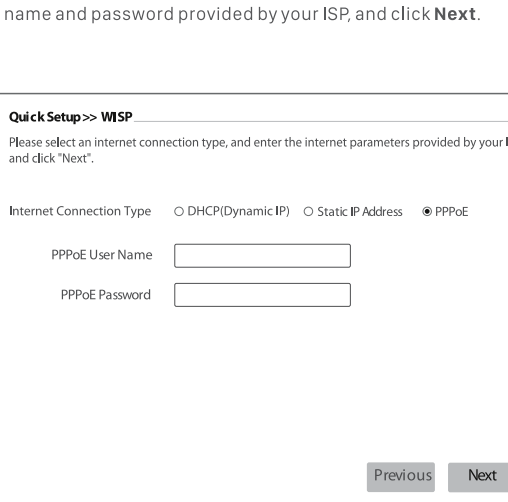
- Select the SSID of the ISP (Internet Service Provider) hotspot, which is **Tenda\_123456** in this example, and click **Next**.



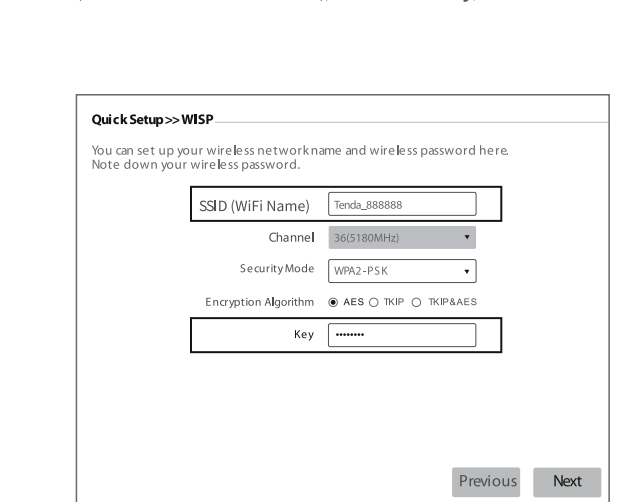
- Enter the password for the ISP hotspot in the **Key** box, and click **Next**.



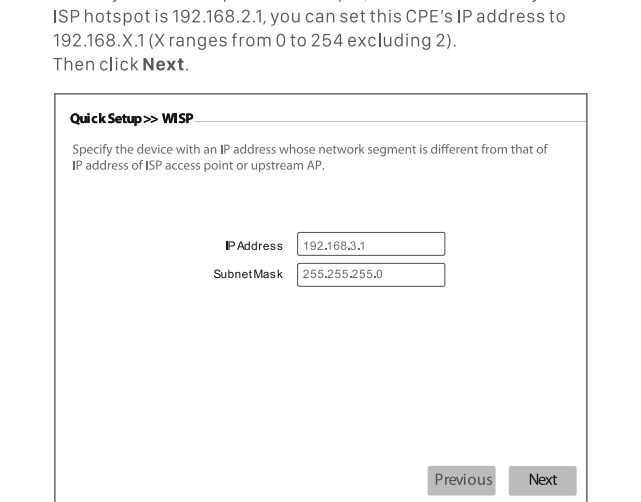
- Select the **Internet Connection Type** of your ISP hotspot. PPPoE is used for illustration here. Enter the PPPoE user name and password provided by your ISP, and click **Next**.



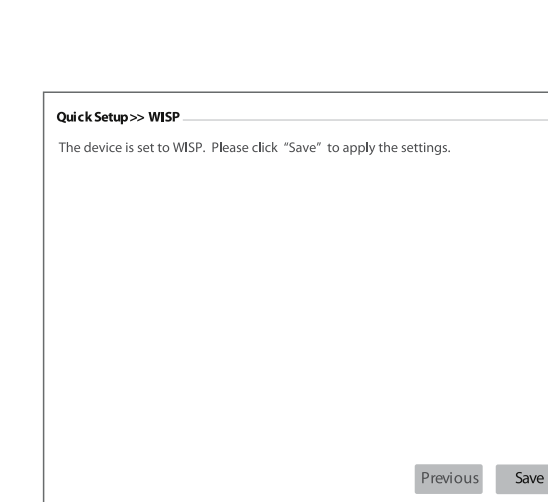
- Customize the SSID (WiFi Name), select a security mode (WPA2-PSK is recommended), customize a **Key**, and click **Next**.



- Set an IP address belonging to different network segment as that of your ISP hotspot. For example, if the IP address of your ISP hotspot is 192.168.2.1, you can set this CPE's IP address to 192.168.X.X (X ranges from 2 to 254 excluding 2). Then click **Next**.

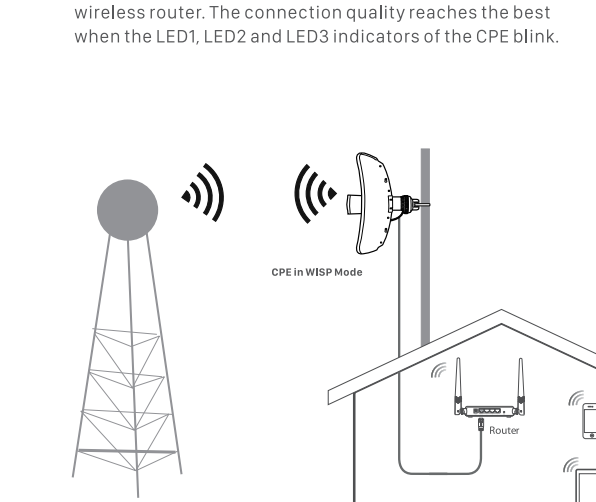


- Click **Save**, and wait until the CPE reboots to activate the settings.



### 2. Application scenario

- Place the CPE over the roof.
- Connect the LAN port of the PoE adapter to the WAN port of your wireless router. The connection quality reaches the best when the LED1, LED2 and LED3 indicators of the CPE blink.



### CE Mark Warning

This is a Class A product. In a domestic environment, this product may cause radio interference, in which case the user may be required to take adequate measures. This equipment should be installed and operated with minimum distance 20cm between the device and your body. NOTE: (1) The manufacturer is not responsible for any radio or TV interference caused by unauthorized modifications to this equipment. (2) To avoid unnecessary radiation interference, it is recommended to use a shielded RJ45 cable. Declaration of Conformity Hereby, SHENZHEN TENDA TECHNOLOGY CO., LTD. declares that the radio equipment type O9 is in compliance with Directive 2014/53/EU. The full text of the EU declaration of conformity is available at the following internet address: http://www.tendacn.com/service/download-cata-101.html Operating Frequency Range: EU/5150-5250MHz (CH36-CH48); EIRP Power (Max.): 22.98 dBm Operating Frequency Range: EU/5470-5725MHz (CH100-CH116, CH132-CH140); EIRP Power (Max.): 26.98 dBm Software Version: V1.0.0.10

For EU/EEA, this product can be used in the following countries:

AT	BE	CY	DK	DE	EE	ES	FR	GB	GR	IT	LV	LT	LU	HU	MT	NL	NL	PL	PT	RO	SK	SI	SK	FI	SE	CZ	SI
----	----	----	----	----	----	----	----	----	----	----	----	----	----	----	----	----	----	----	----	----	----	----	----	----	----	----	----

## Appendix FAQ

**Q1: I cannot log in to the web UI of the CPE by entering 192.168.2.1. What should I do?**  
A1: Try the following solutions:  
- Ensure that the CPE is connected to a power source and your computer properly.  
- Ensure that the IP address of the computer is set to an unused one, such as 192.168.2.X (X ranges from 2 - 254).  
- Restore the CPE to factory settings, and try again.

**Q3: After the bridging succeeds, the LED1, LED2 and LED3 indicators do not light up or only some of them do. What should I do?**  
A3: Try the following solutions:  
- Ensure that the bridging distance between the CPEs is within the normal range.  
- Place the CPEs in an elevated location at the same height with few obstacles nearby.  
- Make slight direction adjustment of the CPEs by moving it vertically and horizontally. Change the direction with an interval of 20° - 30° each time in order to observe the change of LED1, LED2 and LED3 indicators until the best signal is received.

**RECYCLING**  
This product bears the selective sorting symbol for Waste electrical and electronic equipment (WEEE). This means that this product must be handled pursuant to European directive 2012/19/EU in order to be recycled or dismantled to minimize its impact on the environment. You has the choice to give this product to a competent recycling organization or to the retailer when he buys a new electrical or electronic equipment.  
**Operating Environment**  
Operating Temperature: -30°C - 60°C  
Operating Humidity: (10% - 90%) RH, non-condensing

**FCC Statement**  
This product has been tested and found to comply with the limits for a Class A digital device, pursuant to Part 15 of the FCC Rules. These limits are designed to provide reasonable protection against harmful interference in a residential installation. This equipment generates, uses and can radiate radio frequency energy and, if not installed and used in accordance with the instructions, may cause harmful interference to radio communications. However, there is no guarantee that interference will not occur in a particular installation. If this equipment does cause harmful interference to radio or television reception, which can be determined by turning the equipment off and on, the user is encouraged to try to correct the interference by one or more of the following measures:  
- Reorient or relocate the receiving antenna.  
- Increase the separation between the equipment and receiver.  
- Connect the equipment into an outlet on a circuit different from that to which the receiver is connected.  
- Consult the dealer or an experienced radio/TV technician for help.  
Operation is subject to the following two conditions: (1) this device may not cause harmful interference, and (2) this device must accept any interference received, including interference that may cause undesired operation.  
**Radiation Exposure Statement**  
This device complies with FCC radiation exposure limits set forth for an uncontrolled environment and it also complies with Part 15 of the FCC RF Rules.  
This equipment should be installed and operated with minimum distance 20cm between the device and your body.  
**Caution:** Any changes or modifications not expressly approved by the party responsible for compliance could void the user's authority to operate this equipment.  
This transmitter must not be co-located or operating in conjunction with any other antenna or transmitter.  
Operating frequency: 5150-5250MHz, 5725-5850MHz  
**NOTE:** (1) The manufacturer is not responsible for any radio or TV interference caused by unauthorized modifications to this equipment. (2) To avoid unnecessary radiation interference, it is recommended to use a shielded RJ45 cable.

**Technical Support**  
Shenzhen Tenda Technology Co., Ltd.  
6-8 Floor, Tower E3, NO.1001, Zhongshanyuan Road, Nanshan District, Shenzhen, China, 518052  
USA hotline: 1-800-570-5892  
Toll Free: x 24 hours  
Canada hotline: 1-888-998-8966  
Toll Free: Mon - Fri 9 am - 6 pm PST  
Hong Kong hotline: 00852-81931998  
Global hotline: +86 755-2765 5180 (China Time Zone)  
http://www.tendacn.com  
Website: support@tenda.com.cn  
E-mail: support@tenda.com.cn

**Copyright**  
© 2020 Shenzhen Tenda Technology Co., Ltd. All rights reserved.  
Tenda is a registered trademark legally held by Shenzhen Tenda Technology Co., Ltd. Other brand and product names mentioned herein are trademarks or registered trademarks of their respective holders. Specifications are subject to change without notice.