

HOCHIKI YBN-R/3(SCI)-OEM SHORT-CIRCUIT ISOLATOR ADAPTOR INSTALLATION INSTRUCTIONS



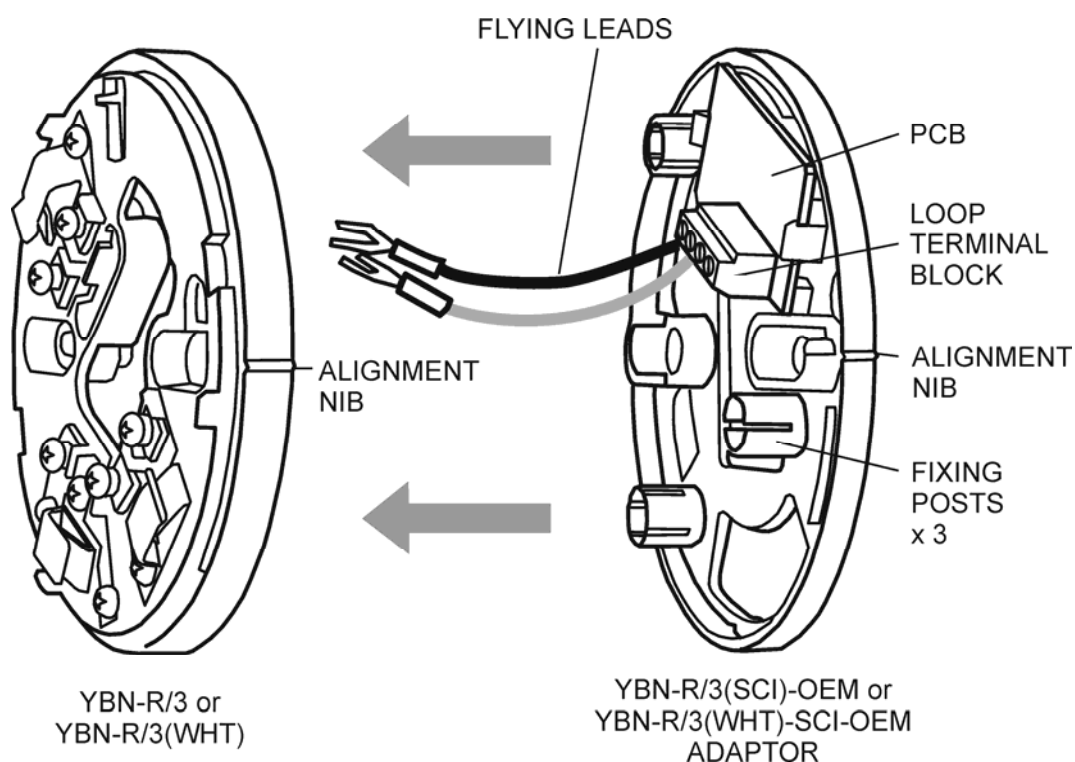
General Description

The YBN-R/3(SCI)-OEM is an adaptor featuring an integral short-circuit isolator, which has been designed to be fitted to a standard sensor mounting base (YBN-R/3) to convert it into a short-circuit isolator base. This combined unit will then detect and isolate short-circuits on the loop. When a short-circuit is detected the combined unit will drop the power to the rest of the loop.

The combined unit is compatible with the ESP range of sensors (see compatibility chart below) and does not require a loop address. A remote fire LED facility is provided when a sensor is attached to the combined unit.

Note:- A fitted sensor will still be powered when this device is isolating.

Fitting to a YBN-R/3 Standard Base



Fit the adaptor to the underside of the YBN-R/3 standard mounting base as shown above, ensuring that the alignment nibs on both units are aligned. The three fixing posts on the adaptor provide a snug fit to the moulded posts on the underside of the YBN-R/3. Ensure that the flying leads on the adaptor are passed through the hole in the base of the YBN-R/3.

Connect the two flying leads to the appropriate wiring terminals on the YBN-R/3. These are:

BLACK (Loop -ve) to terminal 6 and RED (Loop +ve) to terminal 1.

Compatibility

The combined unit as an isolator base has been designed to work with the sensors listed below. All sensors are compatible with Hochiki ESP (Enhanced System Protocol).

Sensor Type	Ordering Code
Photoelectric (smoke) sensor	ALG-E, ALG-EN, ALK-E, ALN-E (and all variants)
Ionisation (smoke) sensor	AIE-E (and all variants)
Temperature (heat) sensor	ATG-E, ACB-E, ATJ-E (and all variants)
Multi (smoke and/or heat) sensor	ACA-E, ACC-E (and all variants)

