

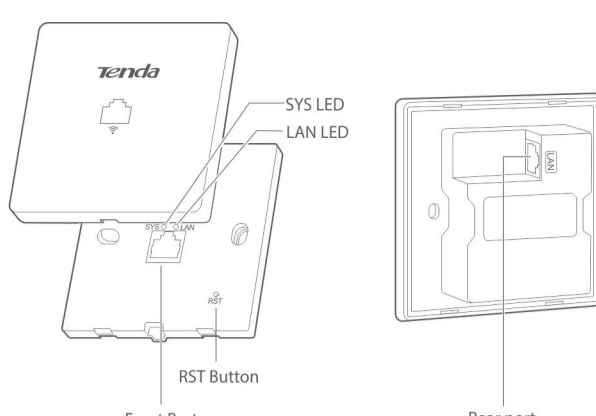
Quick Installation Guide

11AC 1200Mbps Wireless In-Wall Access Point
Model: W9

Packing List

- AP x 1
 - Screw x 2
 - Quick Installation Guide x 1
- * For more functions, please go to <http://www.tendacn.com> to download its user guide.

AP Appearance

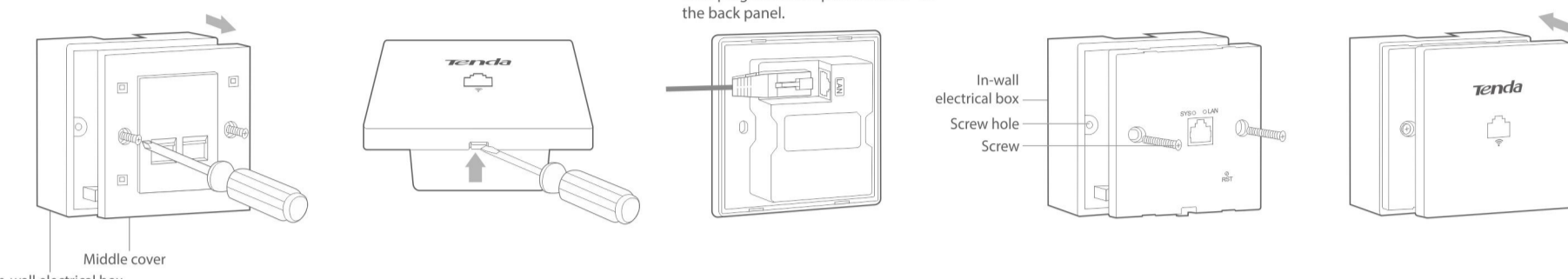


SYS LED (Green)	Blinking: The AP is working properly.
	Off: The AP is not powered on.
LAN LED (Blue)	Solid on: The rear port LAN is connected properly.
	Blinking: The rear port LAN is transmitting or receiving data.
	Off: The rear port LAN is unconnected.
RST Button	When the SYS LED blinks green, you can hold this button down for about 8 seconds to reset the AP.
Front Port	It is used to connect to wired devices, such as a computer.
Rear Port	It is used to connect to a PoE switch compliant with IEEE 802.3af.

1. Installing Your APs into the In-wall Electrical Box

- Tips:**
- Record the mapping between the MAC address and position of each AP. You can see the MAC address after removing the front cover.
 - Ensure that each in-wall electrical box has been deployed with an Ethernet cable; prepare a Phillips screwdriver and a flat-head screwdriver yourself.

- Remove the middle cover of the in-wall electrical box.
- Remove the front cover of the AP. See the following figure.
- Connect the Ethernet cable in the in-wall electrical box to a RJ45 connector plug, then plug it into the port of the AP on the back panel.
- Insert the AP into the in-wall electrical box, and fix it using the included screw.
- Fix the front cover of the AP. See the following figure.



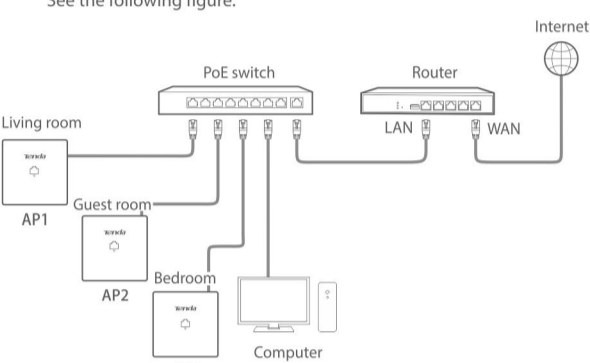
2. Connecting and Configuring the APs

Choose your scenario and perform configuration.

Scenario One: At Home

1 Connect Devices

Connect the rear LAN of each AP to a PoE port of the PoE switch using the Ethernet cables in the in-wall electrical boxes. Connect your computer to a port of the PoE switch using an Ethernet cable. See the following figure.



2 Check LEDs

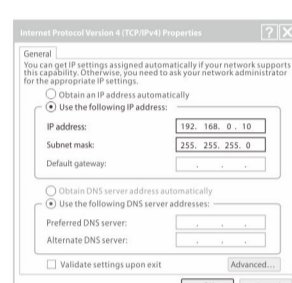
Refer to the following table to check if the LEDs are working normally. Verify device connections if the LEDs are abnormal.

Device	Normal Status
AP	The SYS LED blinks green, and the LAN LED is solid blue or blinks blue.
Computer	The Ethernet port LED is solid on or blinking.

- Tips:**
- If the LEDs of an AP are abnormal after device connections are verified, please refer to **Q1** in **FAQ**.

3 Configure Your Computer

Right-click the network icon in the lower-right corner of the desktop of the computer. Click **Open Network and Sharing Center, Local Area Connection**, and then **Properties**. Double-click **Internet Protocol Version 4 (TCP/IPv4)**. Select **Use the following IP address**. Set **IP Address** to **192.168.0.X** (X: 2-200), which is **192.168.0.10** in this example, and **Subnet Mask** to **255.255.255.0**. Click **OK**.

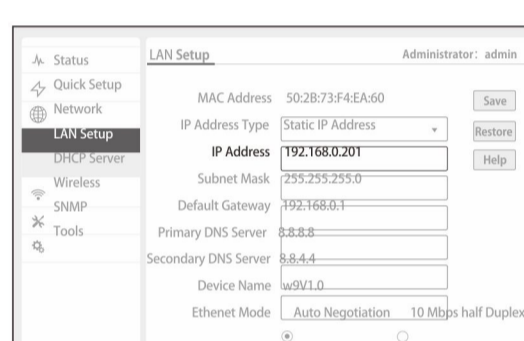
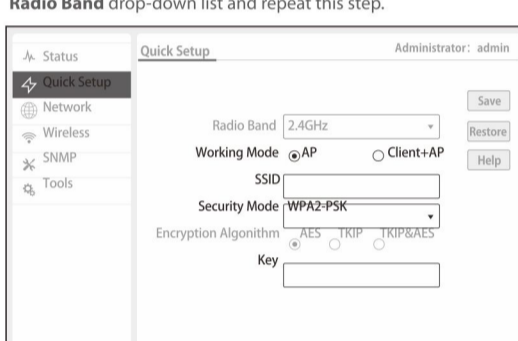


4 Log in to the Web UI of the AP and Configure the AP

Start a web browser on your computer, and enter **192.168.0.254** in the address bar to log in to the web UI of the AP. Choose **Quick Setup**, customize your **SSID**, **Security Mode (WPA2-PSK is recommended)**, and **Key**. Click **Save**. Then select **5GHz** from the **Radio Band** drop-down list and repeat this step.

Choose **Network > LAN Setup**. To prevent IP address conflicts, set the IP address of the AP to an unused IP address 192.168.0.X, where X ranges from 201-253, which is **192.168.0.201** in this example.

Repeat Step 4 to configure other APs.



- Tips:**
- If you cannot log in to the web UI of the AP, please refer to **Q2** in **FAQ**.

End.

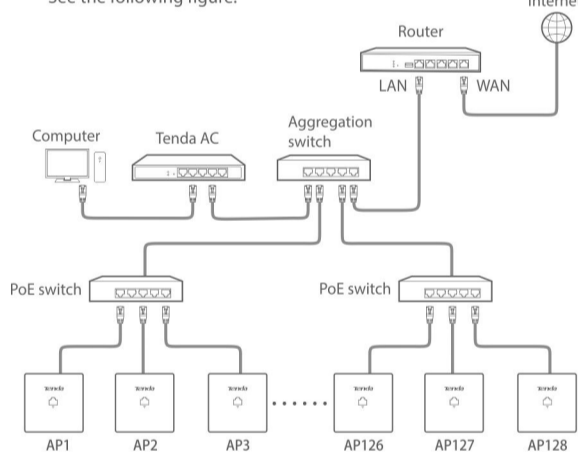
You can access the internet now either by connecting your devices to the WiFi network of the AP with the SSID and WiFi password you set or to the front port of the AP using an Ethernet cable.

Scenario Two: In a Hotel

- Tips:**
- A hotel may be deployed with quantities of APs. You are recommended to use Tenda AP controller (AC) to configure and manage them centrally and efficiently.

1 Connect Devices

See the following figure.



2 Check LEDs

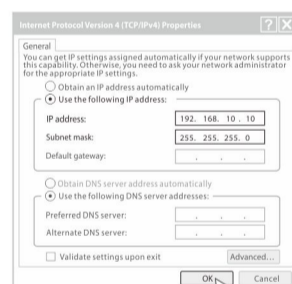
Refer to the following table to check if the LEDs are working normally. Verify device connections if the LEDs are abnormal.

Device	Normal Status
AP	The SYS LED blinks green, and the LAN LED is solid blue or blinks blue.
Computer	The Ethernet port LED is solid on or blinking.

- Tips:**
- If the LEDs of an AP are abnormal after device connections are verified, please refer to **Q1** in **FAQ**.

3 Configure Your Computer

Right-click the network icon in the lower-right corner of the desktop of the computer. Click **Open Network and Sharing Center, Local Area Connection**, and then **Properties**. Double-click **Internet Protocol Version 4 (TCP/IPv4)**. Select **Use the following IP address**. Set **IP Address** to **192.168.10.X** (X: 2-254), which is **192.168.10.10** in this example, and **Subnet Mask** to **255.255.255.0**. Click **OK**.



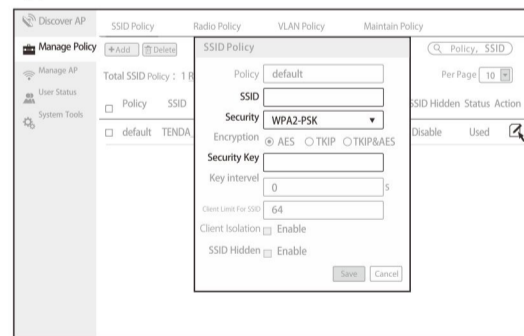
4 Log in to the Web UI of the AC

Start a web browser on your computer, and enter **192.168.10.1** in the address bar to log in to the web UI of Tenda AC. The default **User Name** and **Password** of the AC are both **admin** (all lower-case).



5 Configure Your AP

Choose **Manage AP > SSID Policy**, click to customize your **SSID**, **Security (WPA2-PSK is recommended)**, and **Security Key**. Click **Save**. Wait about 1 minute until all APs automatically obtain the SSID and security key you set.



End.

You can access the internet now either by connecting your devices with the SSID and WiFi password you set to the WiFi network of the AP or to the front port of the AP using an Ethernet cable.

FAQ

Q1: The AP's LEDs do not turn on. What should I do?

- Try the following solutions:
- Ensure that the rear port of the AP has been connected to a PoE port of a PoE switch compliant with IEEE 802.3af.
 - Ensure that you use an 8-core Ethernet cable to connect the AP to the PoE switch.

Q2: I cannot log in to the web UI of the AP for the first attempt. What should I do?

- Try the following solutions:
- Verify that the IP address of your computer is 192.168.0.X (X: 2-200).
 - Reset the AP, and try again.

Q3: How to reset the AP?

When the SYS LED blinks green, remove the cover, hold the RST button down using a paper clip for about 8 seconds. Release until the green LED turns solid on. When the green LED blinks, the AP is reset successfully.

Q4: After configuration, my devices cannot find the AP's WiFi signal. What should I do?

- Try the following solutions:
- Repeat **Step 2 Connecting and Configuring the APs** based on your actual network environment.
 - If an AC is used to manage the APs, and the VLAN policy is enabled, verify that the AP and the AC are in the same VLAN.

CE

CE Mark Warning

This is a Class B product. In a domestic environment, this product may cause radio interference, in which case the user may be required to take adequate measures. Operations in the 5.15-5.25GHz band are restricted to indoor use only. This equipment should be installed and operated with minimum distance 20cm between the radiator & your body.

NOTE:

- The manufacturer is not responsible for any radio or TV interference caused by unauthorized modifications to this equipment.
- To avoid unnecessary radiation interference, it is recommended to use a shielded RJ45 cable.



RECYCLING

This product bears the selective sorting symbol for Waste electrical and electronic equipment (WEEE). This means that this product must be handled pursuant to European directive 2012/19/EU in order to be recycled or dismantled to minimize its impact on the environment.

User has the choice to give his product to a competent recycling organization or to the retailer when he buys new electrical or electronic equipment.

Declaration of Conformity

Hereby, SHENZHEN TENDA TECHNOLOGY CO., LTD. declares that the radio equipment type W9 is in compliance with Directive 2014/53/EU.

The full text of the EU declaration of conformity is available at the following internet address: <http://www.tendacn.com/en/service/download-cata-101.html>

Operating Frequency:
2.4G: 2412-2472 Hz 5G: 5150-5250 Hz
EIRP Power (Max.):
2.4GHz: 19.8 dBm 5GHz: 22.5 dBm Software Version: V1.0.0.6

EAC

Copyright

© 2017 Shenzhen Tenda Technology Co., Ltd. All rights reserved. Tenda is a registered trademark legally held by Shenzhen Tenda Technology Co., Ltd. Other brand and product names mentioned herein are trademarks or registered trademarks of their respective holders. Specifications are subject to change without notice.

Technical Support

Shenzhen Tenda Technology Co., Ltd.
6-8 Floor, Tower E3, NO.1001, Zhongshanyuan Road, Nanshan District, Shenzhen, China. 518052
United States Hotline: 1-800-570-5892
Canada Hotline: 1-888-998-8966
HongKong Hotline: 00852-81931998
Skype: Tendasz
Website: <http://www.tendacn.com>
E-mail: support@tenda.com.cn

Operating temperature: -10°C~45°C
Operating Humidity: (10-90) % RH, non-condensing



BE	BG	CZ	DK	DE	EE	IE
EL	ES	FR	HR	IT	CY	LV
LT	LU	HU	MT	NL	AT	PL
PT	RO	SI	SK	FI	SE	UK