

IP-COM

Quick Installation Guide

8GE+2SFP Ethernet Unmanaged Switch With 8-Port PoE
G1110P-8-150W

Package contents

- Switch x 1
- Power cord x 1
- L-shaped bracket x 2
- Footpad x 4
- Screw (KM3*6 mm) x 8
- Quick installation guide x 1

The guide instructs how to install and connect the device. For more details, please visit www.ip-com.com.cn.

1 Install the device

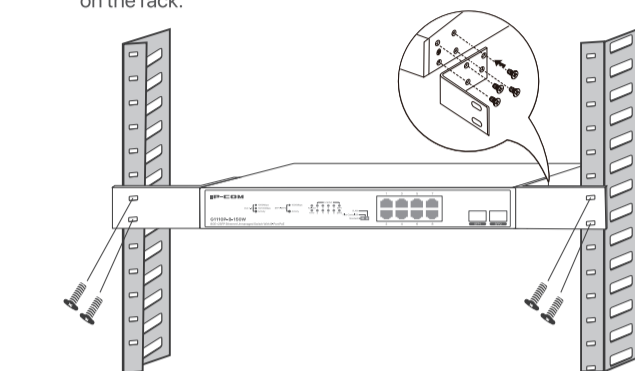
Preparations

- You shall prepare the following tools and materials for device installation.
- Rack mounting: ESD bracelet (or ESD gloves), screwdriver, 4 screws (to secure the switch to the rack)
 - Wall mounting: ESD bracelet (or ESD gloves), marker, hammer drill, rubber hammer, screwdriver, leveling instrument, ladder, 4 expansion bolts (M5*40 mm), 4 screws (PA5*25 mm, head diameter: 10 mm)
 - Desktop mounting: ESD bracelet (or ESD gloves)

Installation

Rack mounting (to a standard 19-inch rack)

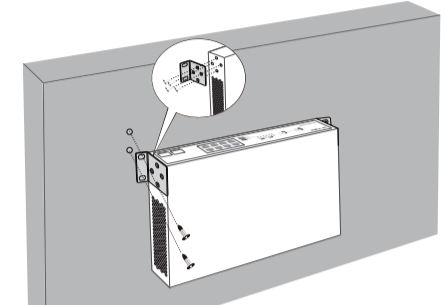
- Ensure that the rack is stable and level, and is properly grounded.
- Fix the two L-shaped brackets to both sides of the switch using the included screws.
- Choose a proper height and fix the L-shaped brackets to the rack using screws (self-prepared). Ensure that the switch is seated securely on the rack.



Wall mounting

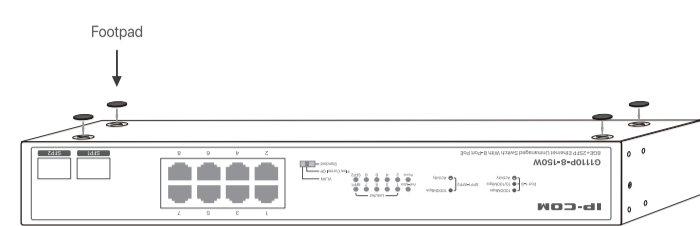
- Note:**
- This switch can only be installed on a concrete or non-flammable wall.
 - Do **NOT** install the switch with its air vents facing downward; otherwise, there will be potential safety hazards.

- Rotate the two L-shaped brackets by 90 degrees and fix them to both sides of the switch with the included screws.
- Horizontally place the switch onto the wall with its RJ45 ports facing upward. Then mark the screw holes with the marker.
- Drill holes in the marked positions, and then knock the expansion bolts (self-prepared, M5*40 mm) into the holes.
- Insert the screws (self-prepared, PA5*25 mm, head diameter: 10 mm) through the holes of the two L-shaped brackets, and secure the screws into the expansion bolts with a screwdriver. Ensure that the switch is installed firmly with its RJ45 ports facing upward.



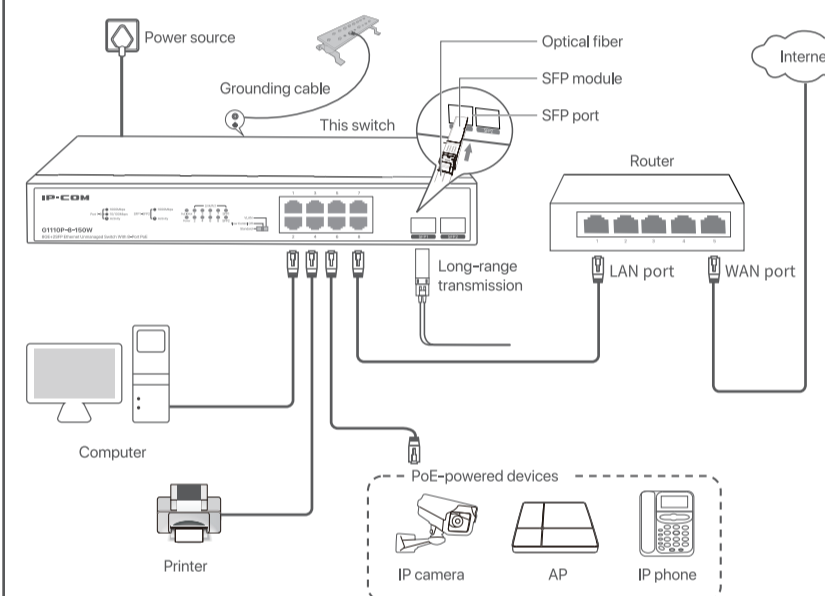
Desktop mounting

Paste the four footpads to the four recesses on the bottom of the switch. Then turn the switch upside down, and place it on a big enough, clean, stable and flat desktop.



2 Connect the device

The typical network topology of the switch is as shown below.



Tips

- The switch supports auto MDI/MDIX. You can use either a straight through cable or a crossover cable to connect the switch to Ethernet devices.
- The switch supports power supply priorities for the PoE ports. When the total power consumption of the PoE-powered devices exceeds the maximum output of the switch, the switch starts cutting the power supply from the port with the lowest power supply priority (the port with the largest port number) until the total power consumption of the PoE-powered devices is less than the maximum output of the switch.

After connection, you can check whether the switch is connected properly or change the working mode according to the following table.

LED indicators

LED indicator	Description
POE-MAX	Solid on: Reach max. PoE budget Off: Not reach max. PoE budget
Power	Solid on: Powered on Off: Powered off or powered improperly
Link/Act	Solid on: Connected but not active Blinking: Active in data transmission Off: Not connected or connected improperly Green light indicates that the negotiation rate of the port is 1000 Mbps, while orange light indicates a rate of 10 Mbps or 100 Mbps.

Working mode toggle

Working mode	Description
Standard	Default mode. In this mode, flow control is enabled for all ports to avoid network congestion and ensure stable network operation.
Flow Control Off	In this mode, flow control is disabled and no limit is set on data flow of all ports, used for scenarios with massive data flow of uploads and downloading.
VLAN	In this mode, ports 1-8 are isolated from each other, but all of them can communicate with ports 7, 8, SFP1 and SFP2. This mode helps isolate DHCP broadcast and reduce broadcast storm.

Specifications

Model	G1110P-8-150W
Port	10/100/1000 Mbps RJ45 port 8 1000 Mbit/s SFP port 2 independent SFP ports
Working mode	Standard, Flow Control Off, VLAN
Switching mode	Store-and-forward
Performance	MAC address table learning Auto aging, auto learning MAC address table 8 K
PoE power supply	Standard PoE IEEE 802.3af, IEEE 802.3at PoE power cable core 8 cores: voltage of cores 1, 2, 4, 5 is +, and cores 3, 6, 7, 8 is - PoE port 1-8 Maximum output power of a single port 30 W Maximum output power of the switch 130 W
Dimensions (L x W x H)	294 mm x 179.6 mm x 44 mm
Input voltage	100-240V AC, 50/60Hz, 2 A
Lighting protection	RJ45 port Common mode: 6 kV Power supply Common mode: 6 kV, Differential mode: 4 kV
Operating environment	Temperature: 0°C - 45°C Humidity: (10% - 90%) RH, non-condensing
Storage environment	Temperature: -40°C - 70°C Humidity: (5% - 90%) RH, non-condensing
Data transmission rate	Ethernet: 10 Mbps (full duplex)/20 Mbps (full duplex) Fast Ethernet: 100 Mbps (full duplex)/200 Mbps (full duplex) Gigabit Ethernet: 2000 Mbps (full duplex)
Transmission media	Ethernet: CAT3 or better UTP/STP cable Fast Ethernet: CAT5e or better UTP/STP cable Gigabit Ethernet: CAT6 or CAT6 UTP/STP cable 1000Base-SX, MMF 1000Base-LX, MMF or SMF
Network standards	IEEE 802.3, IEEE 802.3u, IEEE 802.3x, IEEE 802.3ab, IEEE 802.3z, IEEE 802.3af, IEEE 802.3at

Характеристики

Model	G1110P-8-150W
Порт	Порт RJ45 10/100/1000 Мбит/с 8 1000 Мбит/с SFP порт 2 независимых SFP порта
Режим работы	Standard, Flow Control Off, VLAN
Выполнение	Изучение MAC-адресов Автоматическое старение, автоматическое обучение Таблица MAC-адресов 8 K
Энергоснабжение PoE	Стандарт PoE IEEE 802.3af, IEEE 802.3at Жила силового кабеля PoE 8 вядер: напряжение ядра 1, 2, 4, 5 — "+", а 3-ес, 6-ес, 7-ес, 8-ес ядра 3, 6, 7, 8 — "-" PoE-порт 1-8 Максимальная выходная мощность одного порта 30 Вт Максимальная выходная мощность коммутатора 130 Вт
Размеры (Д x Ш x В)	294 mm x 179.6 mm x 44 mm
Входное напряжение	100-240 В перемен. ток, 50/60 Гц, 2 А
Молевизащита	Порт RJ45 Обычный режим: 6 kV Источники питания Обычный режим: 6 kV, Дифференциальный режим: 4 kV
Рабочая среда	Температура: 0°C - 45°C Влажность: (10-90%) RH, non-condensing
Условия хранения	Температура: -40°C - 70°C Влажность: (5-90%) RH, non-condensing
Скорость передачи информации	Ethernet: 10 Мбит/с (полудуплексный)/20 Мбит/с (полудуплексный) Fast Ethernet: 100 Мбит/с (полудуплексный)/200 Мбит/с (полудуплексный) Gigabit Ethernet: 2000 Мбит/с (полудуплексный)
Средства передачи	Ethernet: Кабель CAT3 UTP/STP или лучше Fast Ethernet: Кабель CAT5e UTP/STP или выше Gigabit Ethernet: Кабель CAT6 или CAT6 UTP/STP 1000Base-SX, MMF 1000Base-LX, MMF или SMF
Стандарты сети	IEEE 802.3, IEEE 802.3u, IEEE 802.3x, IEEE 802.3ab, IEEE 802.3z, IEEE 802.3af, IEEE 802.3at

Русский

Especificaciones

Modelo	G1110P-8-150W
Puerto	Puerto RJ45 de 10/100/1000 Mbps 8 Puerto SFP de 1000 Mbps 2 puertos SFP independientes
Modo de funcionamiento	Standard, Flow Control Off, VLAN
Rendimiento	Modo de conmutación Almacenar y retransmitir Aprendizaje de direcciones MAC Vincionamiento automático, aprendizaje automático Tabla de direcciones MAC 8 K
Fuente de alimentación PoE	Estándar de PoE IEEE 802.3af, IEEE 802.3at Núcleo del cable de alimentación PoE 8 núcleos: el voltaje de los núcleos 1, 2, 4, 5 es +, y el de los núcleos 3, 6, 7 y 8 es - Puerto PoE 1-8 Salida máxima de un solo puerto 30 W Salida máxima del conmutador 130 W
Dimensiones (L x W x H)	294 mm x 179.6 mm x 44 mm
Voltaje de entrada	100-240 V CA, 50/60 Hz, 2 A
Protección contra rayos	Puerto RJ45 Modo común: 6 kV Fuente de alimentación Modo común: 6 kV, Modo diferencial: 4 kV
Entorno de funcionamiento	Temperatura: 0°C - 45°C Humidid: 10 %-90 % HR, sin condensación
Entorno de almacenamiento	Temperatura: -40°C - 70°C Humidid: 5 %-90 % HR, sin condensación
Velocidad de transmisión de datos	Ethernet: 10 Mbps (duplex medio)/20 Mbps (duplex completo) Fast Ethernet: 100 Mbps (duplex medio)/200 Mbps (duplex completo) Gigabit Ethernet: 2000 Mbps (duplex completo)
Medios de transmisión	Ethernet: Cable CAT3 UTP/STP o superior Fast Ethernet: Cable CAT5e UTP/STP o superior Gigabit Ethernet: Cable CAT6 o CAT6 UTP/STP 1000Base-SX, MMF 1000Base-LX, MMF o SMF
Estándares de red	IEEE 802.3, IEEE 802.3u, IEEE 802.3x, IEEE 802.3ab, IEEE 802.3z, IEEE 802.3af, IEEE 802.3at

Español

Spécifications

Modèle	G1110P-8-150W
Port	Port RJ45 10/100/1000 Mbps 8 Port SFP 1000 Mbps 2 ports SFP indépendants
Mode de fonctionnement	Standard, Flow Control Off, VLAN
Performance	Mode de conmutation Stockage et transmission Apprentissage de adresses MAC Auto vieillissement, auto apprentissage Tableau des adresses MAC 8 K
Alimentation électrique PoE	Norme PoE IEEE 802.3af, IEEE 802.3at Âmes des câbles d'alimentation PoE 8 cores : la tension des noyaux 1, 2, 4, 5 est + et celle des noyaux 3, 6, 7, 8 est - Port PoE 1-8 Sortie maximale d'un port unique 30 W Sortie maximale du commutateur 130 W
Dimensions (L x W x H)	294 mm x 179.6 mm x 44 mm
Tension d'entrée	100-240V AC, 50/60Hz, 2A
Protection contre la foudre	Port RJ45 Mode commun : 6 kV Alimentation électrique Mode commun : 6 kV, Mode différentiel : 4 kV
Environnement opérationnel	Température : 0°C - 45°C Humidité : (10 - 90) % HR, non-condensant
Environnement de stockage	Température : -40°C - 70°C Humidité : (5 - 90) % HR, non-condensant
Taux de transmission des données	Ethernet : 10 Mbps (sem duplex)/20 Mbps (duplex intégral) Fast Ethernet : 100 Mbps (sem duplex)/200 Mbps (duplex intégral) Gigabit Ethernet : 2000 Mbps (duplex intégral)
Support de transmission	Ethernet : Cable CAT3 UTP/STP ou supérieur Fast Ethernet : Cable CAT5 UTP/STP ou supérieur Gigabit Ethernet : Cable CAT5e ou CAT6 UTP/STP 1000Base-SX, MMF 1000Base-LX, MMF ou SMF
Normes réseau	IEEE 802.3, IEEE 802.3u, IEEE 802.3x, IEEE 802.3ab, IEEE 802.3z, IEEE 802.3af, IEEE 802.3at

Français

Dane techniczne

Model	G1110P-8-150W
Port	Port RJ45 10/100/1000 Mbps 8 Port SFP 1000 Mbps 2 niezależne porty SFP
Wydadność	Tryb pracy Standard, Flow Control Off, VLAN Tryb przełączania Zapis+wprzód
System zasilania PoE	Standard PoE IEEE 802.3af, IEEE 802.3at Rozeźn kablów zasilającego PoE 8 rdzeni: napięcie rdzeni 1, 2, 4, 5 wynosi +, a rdzeni 3, 6, 7, 8 wynosi - Port PoE 1-8 Maksymalna moc wyjściowa pojedynczego portu 30 W Maksymalna moc wyjściowa przełącznika 130 W
Wymiary (dł. x szer. x wys.)	294 mm x 179.6 mm x 44 mm
Napięcie wejściowe	100-240V AC, 50/60Hz, 2A
Ochrona odgromowa	Port RJ45 Tryb wspólny: 6 kV Zasilanie Tryb wspólny: 6 kV; Tryb różnicowy: 4 kV
Środowisko pracy	Temperatura: 0°C - 45°C Wilgotność: (10-90%) wilgotności względnej, bez kondensacji
Środowisko przechowywania	Temperatura: -40°C - 70°C Wilgotność: (5-90%) wilgotności względnej, bez kondensacji
Szybkość transmisji danych	Ścieżka Ethernet: 10 Mbit/s (pełny duplex)/20 Mbit/s (połny duplex) Fast Ethernet: 100 Mbit/s (pełny duplex)/200 Mbit/s (połny duplex) Gigabit Ethernet: 2000 Mbit/s (połny duplex)
Środki transmisji	Ścieżka Ethernet: Kabeł CAT3 UTP/STP lub lepszy Fast Ethernet: Kabeł CAT5 UTP/STP lub lepszy Gigabit Ethernet: Kabeł CAT5e lub CAT6 UTP/STP 1000Base-SX, MMF 1000Base-LX, MMF lub SMF
Standardy sieciowe	IEEE 802.3, IEEE 802.3u, IEEE 802.3x, IEEE 802.3ab, IEEE 802.3z, IEEE 802.3af, IEEE 802.3at

Polski

Specificații

Model	G1110P-8-150W
Port	Port RJ45 10/100/1000 Mbps 8 Port SFP 1000 Mbps 2 porturi SFP independente
Performanță	Mod de funcționare Standard, Flow Control Off, VLAN Switching mode Store-and-forward MAC address table learning Auto learning, auto aging MAC address table 8 K
Alimentare PoE	PoE standard IEEE 802.3af, IEEE 802.3at Conductor cablu de alimentare PoE 8 conductori: tensiunea conductorilor 1, 2, 4, 5 este +, iar a conductorilor 3, 6, 7, 8 este - Port PoE 1-8 Putere maximă per port 30 W Putere maximă totală a switch-ului 130 W
Dimensiuni (L x l x h)	294 x 179,6 x 44 mm
Tensiune de intrare	100-240 V c.a., 50/60Hz, 2 A
Protecție împotriva descărcărilor electrice	Port RJ45 Mod obișnuit: 6 kV Bursa de alimentare Mod obișnuit: 6 kV; Mod diferențial: 4 kV
Mediu de funcționare	Temperatură: 0°C - 45°C Umiditate: (10%- 90%) umiditate relativă, fără condens
Mediu de depozitare	Temperatură: -40°C - 70°C Umiditate: (5%- 90%) umiditate relativă, fără condens
Viteză de transmitere a datelor	Ethernet: 10 Mbps (semi duplex)/20 Mbps (duplex complet) Fast Ethernet: 100 Mbps (semi duplex)/200 Mbps (duplex complet) Ethernet Gigabit: 2000 Mbps (duplex complet)
Mediu de transmitere	Ethernet: Cablu CAT3 UTP/STP sau o versiune mai nouă Fast Ethernet: Cablu CAT5 UTP/STP sau o versiune mai nouă Ethernet Gigabit: Cablu CAT5e sau CAT6 UTP/STP 1000Base-SX, MMF 1000Base-LX, MMF sau SMF
Standard rețea	IEEE 802.3, IEEE 802.3u, IEEE 802.3x, IEEE 802.3ab, IEEE 802.3z, IEEE 802.3af, IEEE 802.3at

Română

Specificáció

Model	G1110P-8-150W
Port	10/100/1000 Mbps RJ45 port 8 1000 Mbit/s SFP port 2 szabad SFP port
üzem módok	Standard, Flow Control Off, VLAN
Működés	Kapcsolási mód Tírlés követés MAC cím táblázat tanulása Öntanulás, automatikus öregedés MAC cím táblázat 8 K
PoE tápellátás	PoE szabvány IEEE 802.3af, IEEE 802.3at PoE tápkábel erek száma 8 ér: az 1-es, 2-es, 4-es, 5-ös erek feszültség + (pozitív), a 3-as, 6-os, 7-es, 8-es erek pedig - (negatív) PoE port 1-8 Egyetlen port maximális kimenete 30 W A védő maximális kimenete 130 W
Méret (H x Sz x M)	294 mm x 179.6 mm x 44 mm
Bemeneti feszültség	100-240 V váltóáram, 50/60Hz, 2 A
Villámcsapás védelem	RJ45 port Közös üzemmód: 6 kV Tápellátás Közös üzemmód: 6 kV; Differenciál üzemmód: 4 kV
Működési környezet	Hőfok: 0°C - 45°C Páratartalom: 10 - 90% RH, nem kicsapódó
Tárolási környezet	Hőfok: -40°C - 70°C Páratartalom: 5 - 90% RH, nem kicsapódó
Adatátviteli sebesség	Ethernet: 10 Mbit/s (fél duplex)/20 Mbit/s (teljes duplex) Fast Ethernet: 100 Mbit/s (fél duplex)/200 Mbit/s (teljes duplex) Gigabit Ethernet: 2000 Mbit/s (teljes duplex)
Átviteli közeg	Ethernet: CAT3 UTP/STP vagy gyorsabb kábel Fast Ethernet: CAT5 UTP/STP vagy gyorsabb kábel Gigabit Ethernet: CAT5e vagy CAT6 UTP/STP 1000Base-SX, MMF 1000Base-LX, MMF vagy SMF
Hálózati szabványok	IEEE 802.3, IEEE 802.3u, IEEE 802.3x, IEEE 802.3ab, IEEE 802.3z, IEEE 802.3af, IEEE 802.3at

Magyar

Özellikler

Model	G1110P-8-150W
Port	10/100/1000 Mbps RJ45 portu 8 1000 Mbit/s SFP portu 2 bağımsız SFP portu
Performans	Anahtarlama modu Sakla ve gönder MAC adres öğrenme Otomatik yaşlanma, otomatik öğrenme MAC adres tablosu 8 K
PoE güç kaynağı	PoE standardı IEEE 802.3af, IEEE 802.3at PoE güç kablosu 8 çekirdek: Çekirdek 1, 2, 4, 5, için voltaj + ve çekirdek 3, 6, 7, 8 için voltaj - PoE portu 1-8 Tek bir portun maksimum güç çıkışı 30 W Switch'in maksimum güç çıkışı 130 W
Boyutlar (B x x x Y)	294 mm x 179.6 mm x 44 mm
Giriş Gerilimi	100-240V AC, 50/60 Hz, 2A
Yıldırım koruması	RJ45 portu Ortak mod: 6 kV Güç kaynağı Ortak mod: 6 kV; Differansiyel mod: 4 kV
Çalışma ortamı	Scaklık: 0°C - 45°C Nem: (5%-90%) RH, yoğunlaşmaz Nem: (5%-90%) RH, yoğunlaşmaz
Depolama ortamı	Scaklık: -40°C - 70°C Nem: (5%-90%) RH, yoğunlaşmaz
Veri İletim Hızı	Ethernet: 10 Mbps (yan çift yönlü)/20 Mbps (tam çift yönlü) Fast Ethernet: 100 Mbps (yan çift yönlü)/200 Mbps (tam çift yönlü) Gigabit Ethernet: 2000 Mbps (tam çift yönlü)
İletim Ortamları	Ethernet: CAT3 UTP/STP veya daha iyi Fast Ethernet: CAT5 UTP/STP veya daha iyi Gigabit Ethernet: CAT5e veya CAT6 UTP/STP 1000Base-SX, MMF 1000Base-LX, MMF veya SMF
Ağ Standartları	IEEE 802.3, IEEE 802.3u, IEEE 802.3x, IEEE 802.3ab, IEEE 802.3z, IEEE 802.3af, IEEE 802.3at

Türkçe

العربية

المواصفات

Model	G1110P-8-150W
Port	8 منافذ RJ45 10/100/1000 مبيت/ثانية SFP منفذ 2 منفذ SFP مستقلين
الأداء	الوضع الافتراضي: Standard - Flow Control Off - VLAN الوضع الافتراضي: تخزين وإرسال متسلسل
إمداد الطاقة PoE	تأهيل PoE IEEE 802.3af, IEEE 802.3at عدد الكابلات PoE 8 كابلات: جهد النواة 1 و 2 و 4 و 5 هو موجبة (+)، والكابلات 3 و 6 و 7 و 8 هي سالبة (-) المنفذ PoE 1-8 الحد الأقصى للإخراج PoE لكل منفذ 30 واط الحد الأقصى للإخراج PoE للمفتاح 130 واط
أبعاد الجهاز (B x x x Y)	294 مم x 179,6 مم x 44 مم
جهد الإدخال	100-240V AC, 50/60Hz, 2A
حماية من الصواعق	المنفذ RJ45 الوضع المشترك: 6 كV إمداد الطاقة الوضع المشترك: 6 كV; الوضع التفاضلي: 4 كV
بيئة التشغيل	الحرارة: 0°C - 45°C الرطوبة: (10%-90%) RH، بدون تكاثف
بيئة التخزين	الحرارة: -40°C - 70°C الرطوبة: (5%-90%) RH، بدون تكاثف
معدل نقل البيانات	Ethernet: 10 مبيت/ثانية (نصف duplex)/20 مبيت/ثانية (ثنائي duplex) Fast Ethernet: 100 مبيت/ثانية (نصف duplex)/200 مبيت/ثانية (ثنائي duplex) Ethernet Gigabit: 2000 مبيت/ثانية (ثنائي duplex)
وسائط النقل	Ethernet: كابل CAT3 UTP/STP أو أفضل Fast Ethernet: كابل CAT5 UTP/STP أو أفضل Gigabit Ethernet: كابل CAT5e أو CAT6 UTP/STP 1000Base-SX, MMF 1000Base-LX, MMF أو SMF
المعايير الشبكية	IEEE 802.3, IEEE 802.3u, IEEE 802.3x, IEEE 802.3ab, IEEE 802.3z, IEEE 802.3af, IEEE 802.3at

Спецификации

Model	G1110P-8-150W
Порт	10/100/1000 Mbps RJ45 порт 8 1000 Mbit/s SFP порт 2 независимых SFP порта
Режимы работы	Standard, Flow Control Off, VLAN
Технические показатели	Режим на переключении Схривание и переправ