



## Quick Installation Guide

AC2600 Tri-band Cable-Free WiFi System(Mini Basestation)

EW12

This quick installation guide instructs how to configure and install the device. For product or function details, please go to [www.ip-com.com.cn](http://www.ip-com.com.cn) to download the user guide.

## Package contents

EW12 x 1

Bracket x 1

Screw (BA3.0 x 25 mm, head diameter:  
6.0 mm) x 4

Expansion bolt (Inner diameter: 2.4 mm, length: 26.4 mm) x 4

Plastic strap x 2

Power adapter x 1

Expansion nut (Inner diameter: 2.51 mm, height: 14.5 mm) x 4

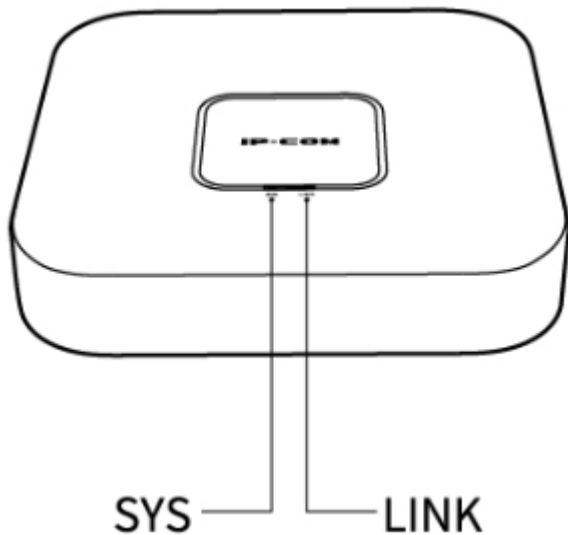
PoE injector x 1

Quick installation guide x 1

Ethernet cable x 1

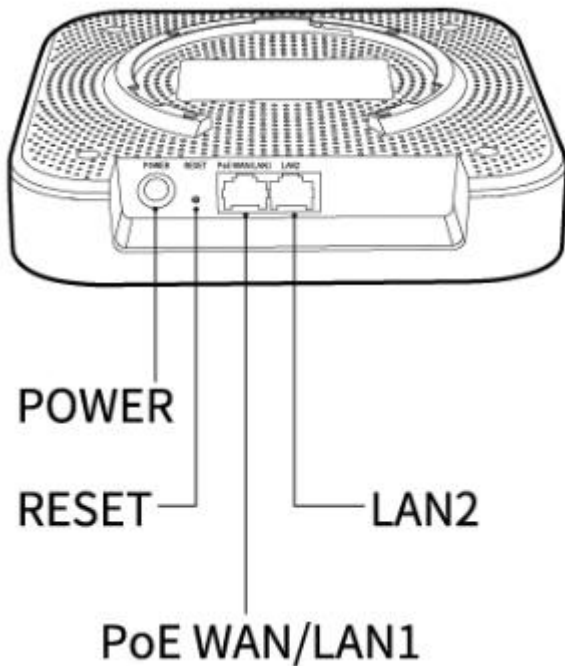
# Getting to know your device

## LED indicator

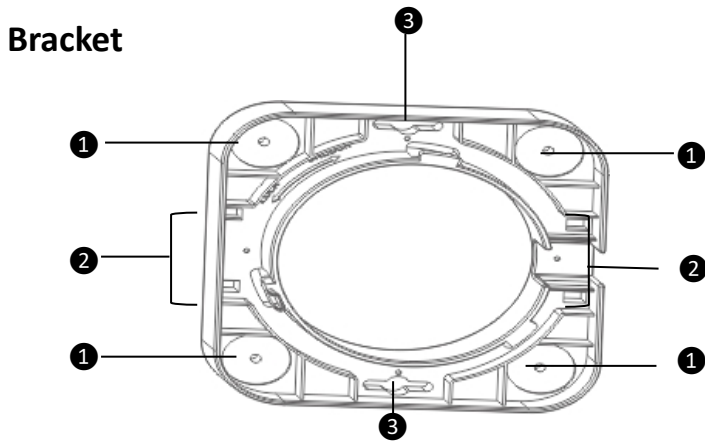


LED indicator	Description
SYS	<p><b>Solid green:</b> The system is starting up or is not working properly.</p> <p><b>Blinking green:</b> The system works properly.</p> <p><b>Off:</b> The device is powered off, or the LED indicators are turned off.</p>
LINK	<ul style="list-style-type: none"><li>When the device works in <b>Router</b> mode<ul style="list-style-type: none"><li><b>Slowly blinking green:</b> Connected to the internet</li><li><b>Blinking red:</b> Fails to access the internet</li></ul></li><li>When the device works in <b>AP</b> mode<ul style="list-style-type: none"><li><b>Slowly blinking green:</b> Connected to another node. Excellent connection</li><li><b>Blinking yellow:</b> Connected to another node. Fair connection</li><li><b>Fast blinking green:</b> Connecting to another node</li><li><b>Blinking red:</b> Fails to connect to the router node, or the router node fails to access the internet</li></ul></li></ul>

## Jack/Port/button



Jack/Port/Button	Description
POWER	DC power jack. It is used to connect to the included power adapter to supply power to the device.
RESET	Reset button. When the SYS LED indicator is blinking, hold down this button for about 8 seconds, and then release it when all LED indicators light solid green. When the SYS LED indicator blinks again, the device is restored to factory settings.
PoE WAN/LAN1	10/100/1000 Mbps PoE port for power supply and data transmission. When no power sources are available at hand, use the included PoE injector instead. <ul style="list-style-type: none"> <li>When the device works in Router mode, this port functions as a WAN port used to connect to a modem or an Ethernet jack.</li> <li>When the device works in AP mode, this port functions as a LAN port used to connect to a device under the LAN.</li> </ul>
LAN2	10/100/1000 Mbps auto-negotiation port used to connect to a device under the LAN.



The bracket is used to install the device onto ceilings, walls or poles. See **II Install the device** for details.

- ① Screw holes for ceiling installation
- ② Plastic strap holes for pole installation
- ③ Slots for wall installation.

# I. Set up the device

---

## Tips

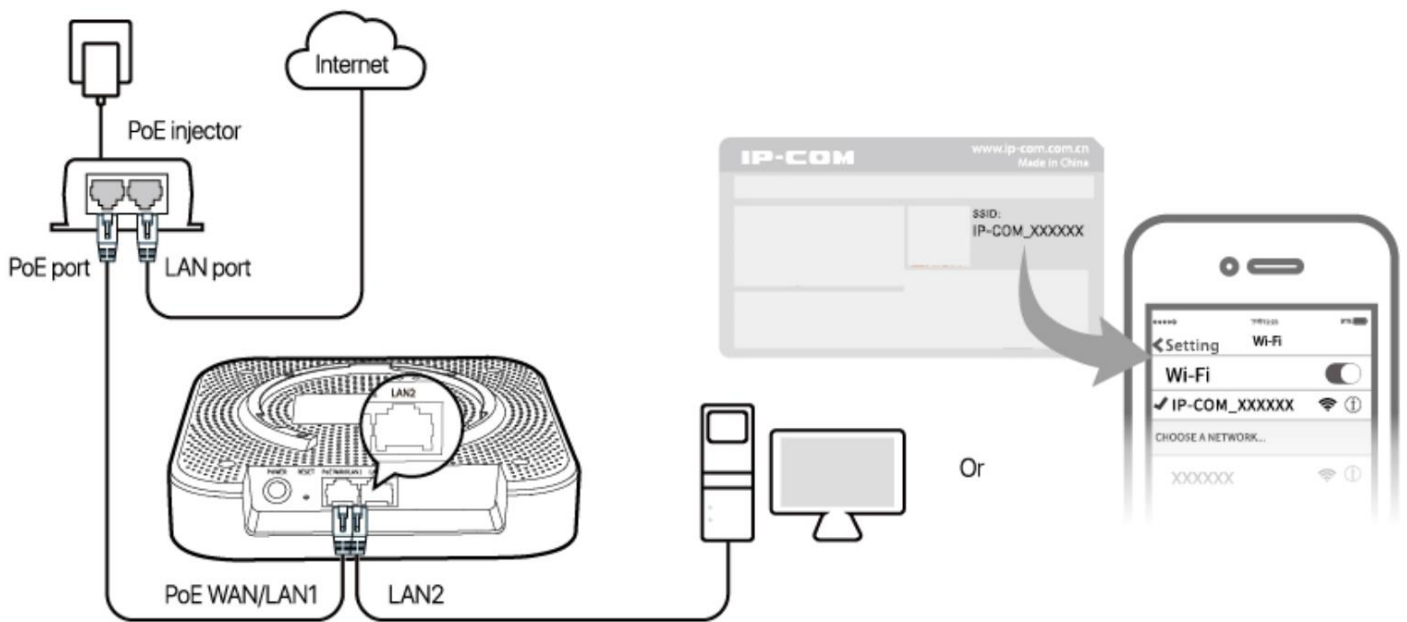
EW12 supports management through the web UI, IMS cloud and App. This part instructs how to manage the device through the web UI. For more management types, please refer to relevant documents.

---

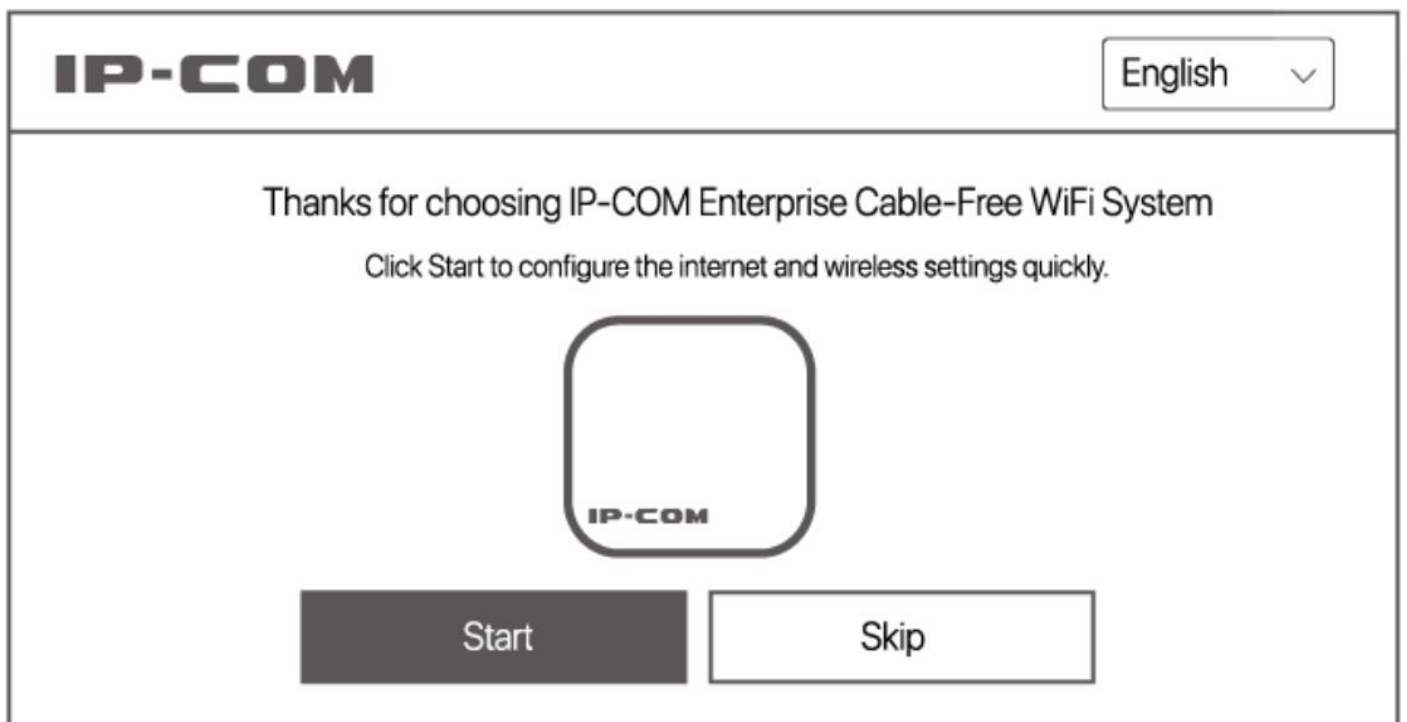
Please choose **Scenario 1** or **Scenario 2** to perform your configuration depending on your networking requirement. PoE power supply is used for illustration.

## Scenario 1: Serve as a router

1. Use an Ethernet cable to connect the **PoE WAN/LAN1** port of EW12 to the **PoE** port of the PoE injector.
2. Use an Ethernet cable to connect the **LAN** port of the PoE injector to the internet.
3. Use the included power adapter to connect the PoE injector to a power source.
4. Connect a computer or a WiFi-enabled device (for example: a smart phone) to EW12.
  - For a computer
    - Use an Ethernet cable to connect the computer to the **LAN2** port of EW12.
  - For a smart phone
    - Connect the smart phone to the WiFi network of EW12. The default SSID can be found on the label at the bottom of the device.



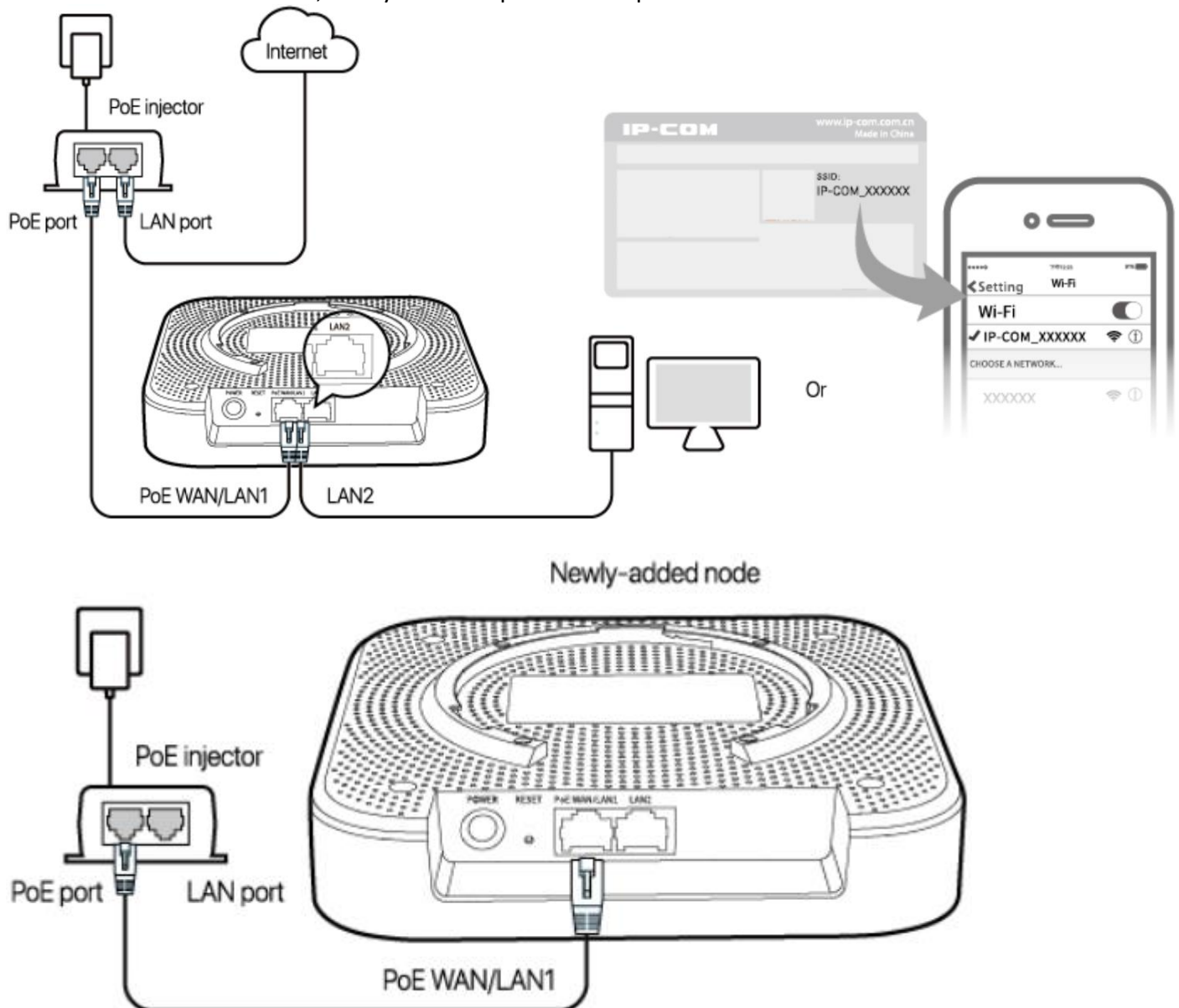
5. Start a web browser on the computer or on the smart phone, and visit **192.168.5.1** or [www.ipcwifi.com](http://www.ipcwifi.com).
6. Click **Start**, then follow the on-screen instructions to configure the internet settings.



## Scenario 2: Serve as an AP

When serving as an AP, the device can be added into an existing Mesh network established by this model (EW12) of other devices in a wireless manner for network extension.

1. Place the device (newly-added node) near the node serving as a router (hereafter referred to as the router node), and power on the newly-added node. When the SYS LED indicator blinks green and the LINK LED indicator blinks red, the system completes startup.



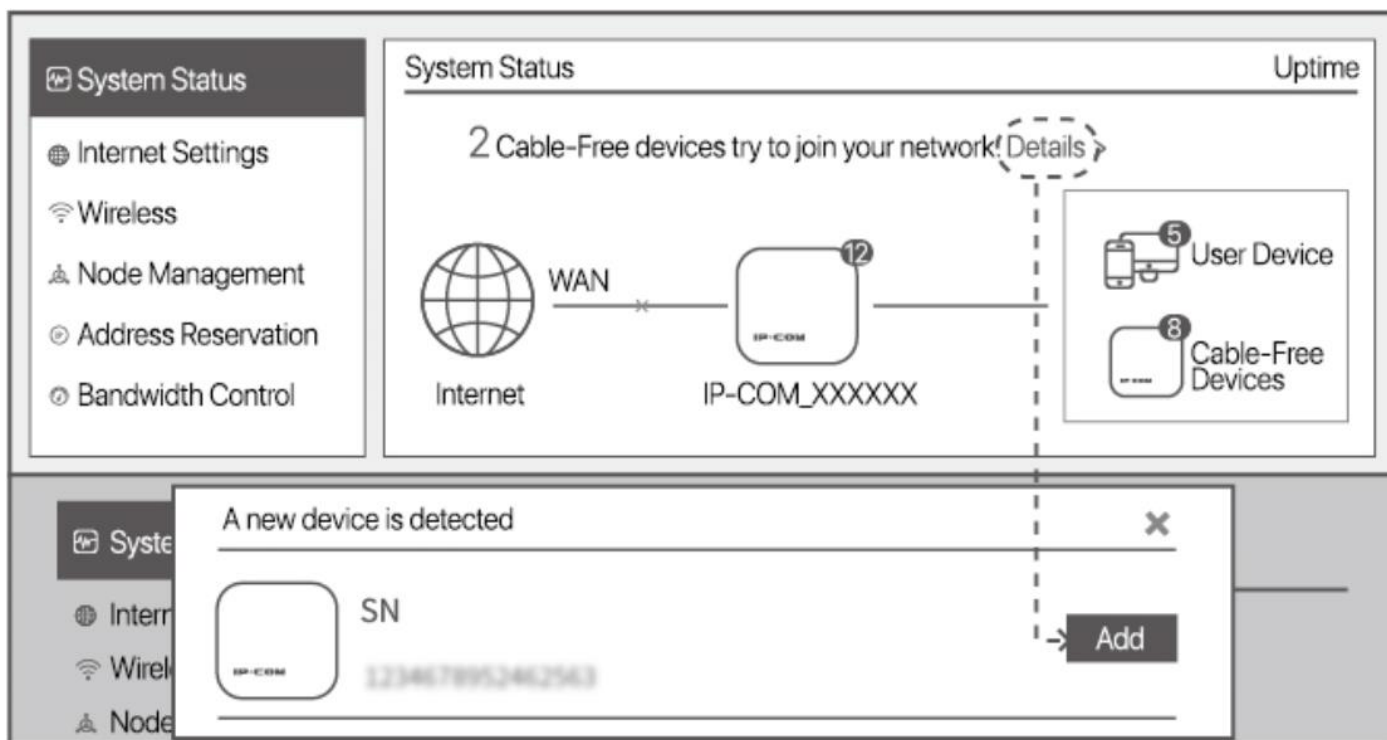
2. Refer to steps 4 and 5 in **Scenario 1: Serve as a router** to log in to the web UI of the existing router node.
3. Click **Details** on the **System Status** page, and click the **Add** button corresponding to the newly-added node.

When the LINK LED indicator of the newly-added node turns from fast green blinking to slow green blinking,

the node is added into the Mesh network of the existing router node.

**Tips**

If the LINK LED indicator does not blink green slowly, reset the newly-added node to factory settings and try again.



4. Relocate the newly-added node, and power it on. Ensure that:
  - The wall between nodes is less than two.
  - The node is within the coverage of the existing Mesh network.

When the SYS LED indicator of the newly-added node blinks green, check the status of the LINK LED indicator. Adjust the position of the newly-added node according to the descriptions in the following table until the LINK LED indicator turns to slow green blinking.

Slow green blinking	Excellent connection
Yellow blinking	Fair connection. You are recommended to move the newly-added node closer to the upstream node (router node or another node in the Mesh network).
Red blinking	Fails to connect to the upstream node. Move the newly-added node closer to the upstream node.

Done. Now, you can install the newly-added node to the selected position.

The SSID and password of the newly-added node are the same with the existing router node, providing you



with the better WiFi signal when you are moving around.

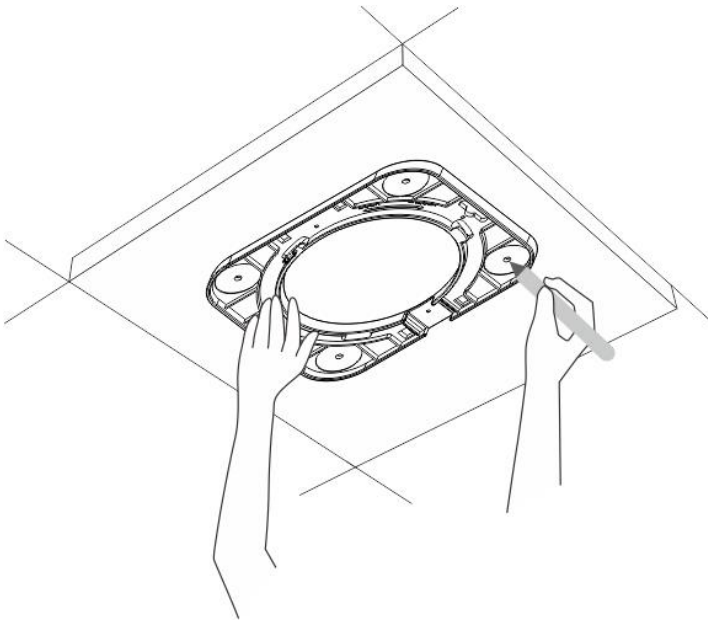
## II. Install the device

### Tips

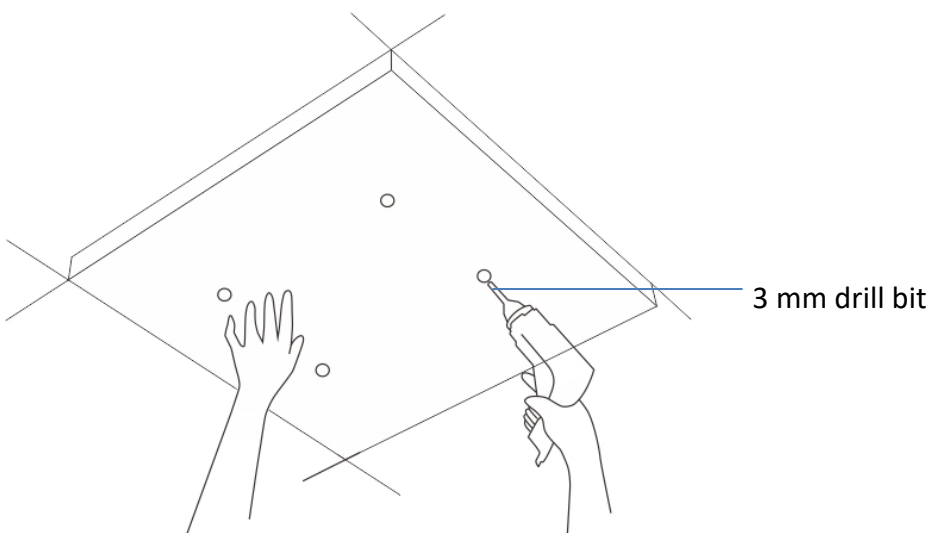
- You may need a marker, a rubber hammer, a hammer drill, a drill bit, a screwdriver, and a ladder for the installation. Please prepare them yourself.
- The device supports ceiling, wall, pole and desktop installations. Please choose the appropriate option as required. This guide uses ceiling and pole installations as an example.

### Ceiling installation

1



2



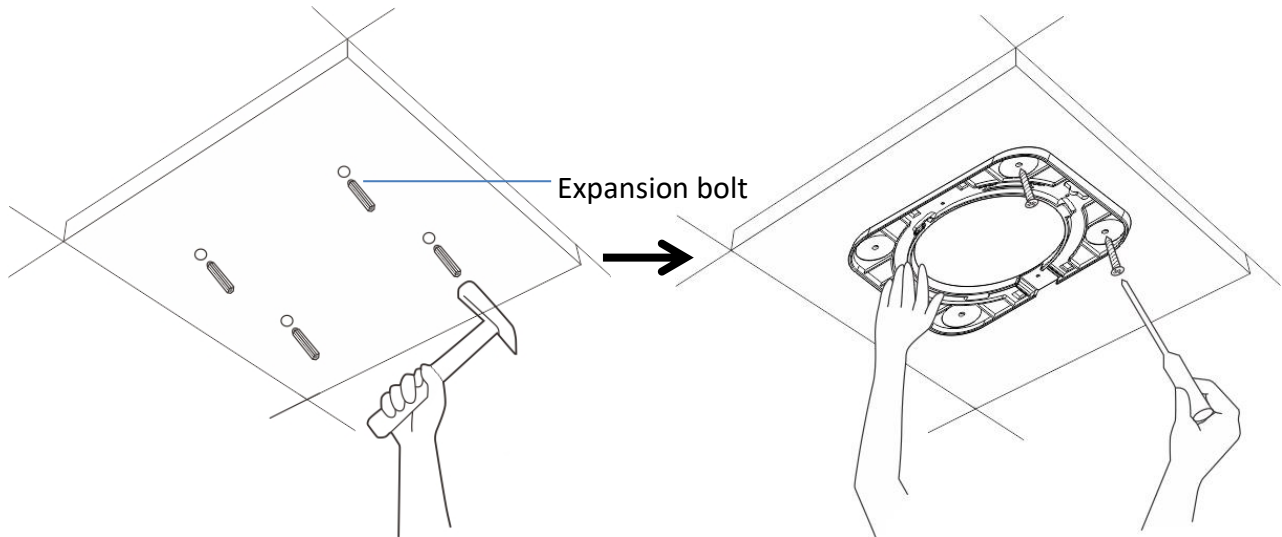
---

## Tips

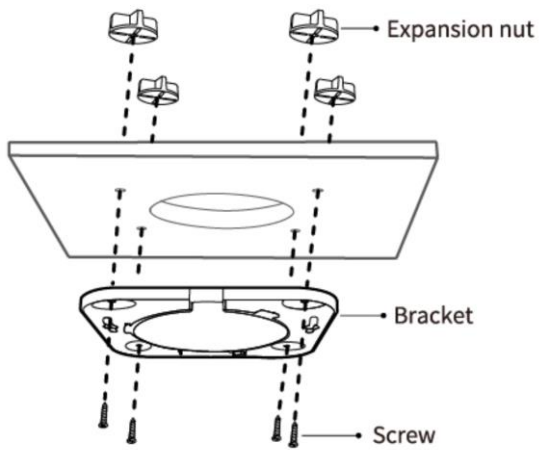
**Option A** applies to general situations while **option B** is better if the ceiling material is weak, for example drywall.

---

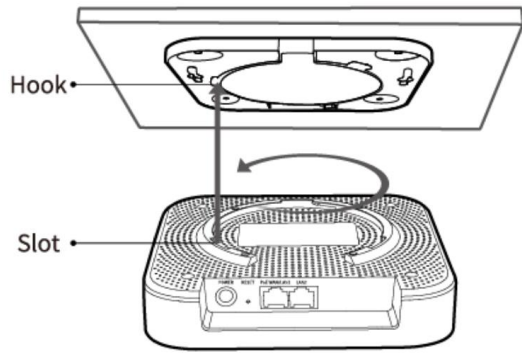
### 3 Option A



### Option B

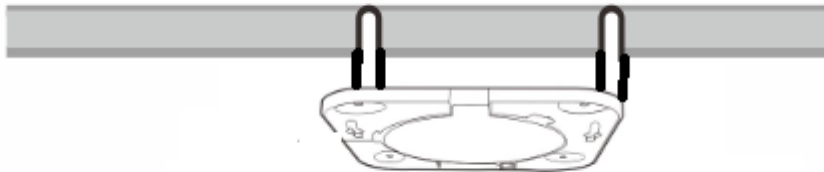


### 4

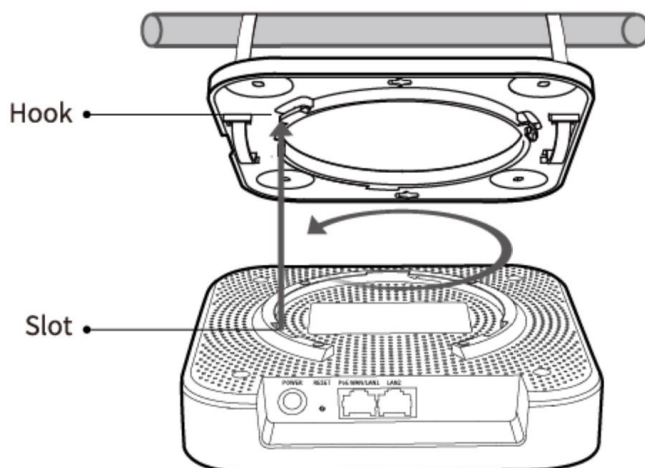


## Pole installation

1



2



# Appendix A FAQ

## Q1. The device fails to access the internet when serving as a router. What should I do?

A1. Try the following solutions:

- Check whether the **PoE WAN/LAN1** port of the device is connected to a modem or an Ethernet jack properly.
- Log in to the web UI of the device, choose **Internet Settings**, and check the connection status. If it is not **Connected**, follow the on-screen instructions to solve the problem.
- If the problem persists, contact your ISP to check whether your internet service is normal.

## Q2: The device fails to access the internet when working in AP mode. What should I do?

A2: Try the following solutions:

- Check whether the LINK LED indicator of the device serving as a router blinks green slowly. If not, refer to **Q1** to solve the problem.
- Relocate the device closer to another node with the LINK blinking green slowly LED indicator in the Mesh network.

## Q3: How to reset the device to factory settings?

A3: When the SYS LED indicator is blinking, hold down the RESET button for about 8 seconds, and then release it when all LED indicators light solid on. When the SYS LED indicator blinks green again, the device is restored to factory settings.

## Q4: I cannot log in to the web UI of the device. What should I do?

A4. Try the following solutions:

- Enter **www.ipcwifi.com** or **192.168.5.1** in the address bar (not search bar) of a web browser.
- If a WiFi-enabled device, such as a smart phone, is used to configure the device, ensure that the smart phone is connected to the WiFi network of the device successfully.
- If a smart phone is used to configure the device, ensure that the mobile data is disabled.

- If a computer is used to configure the device, ensure that the computer is connected to the **LAN2** port of the device, and the Ethernet cable is connected properly.
- Reset the device to factory settings, and try again.

# Appendix B Recommended WiFi coverage solutions

Scenario	Solution (Quantity)
80-user capacity	EW12 x 2
100-user capacity	EW12 x 3

# Appendix C Specifications

Item	Parameter
Frequency band	2.4 GHz, 5.2 GHz, 5.8 GHz
Wireless rate	400 Mbps + 867 Mbps + 1300 Mbps
Networking technology	Mesh
Antenna	5 x 4 dBi omni-directional antennas
Jack/Port	1 power jack, 2 x 10/100/1000 Mbps auto-negotiation RJ45 ports
Button	1 RESET button
WAN port	1 WAN port at most
Dimensions (L x H x W)	170 mm x 170 mm x 36 mm
Installation type	Ceiling, pole, wall and desktop installations



## CE Mark Warning

This is a Class A product. In a domestic environment, this product may cause radio interference, in which case the user may be required to take adequate measures.

The mains plug is used as disconnect device; the disconnect device shall remain readily operable.

**NOTE:** (1) The manufacturer is not responsible for any radio or TV interference caused by unauthorized modifications to this equipment. (2) To avoid unnecessary radiation interference, it is recommended to use a shielded RJ45 cable.

## Declaration of Conformity

Hereby, SHENZHEN IP-COM Networks Co., Ltd. declares that the radio equipment type EW12 is in compliance with Directive 2014/53/EU.

The full text of the EU declaration of conformity is available at the following internet address:

<http://ip-com.com.cn/en/ce.html>

Operating Frequency:

2.4 GHz: EU/2412-2472MHz (CH1-CH13)

5 GHz: EU/5150-5250MHz (CH36-CH48), EU/5470-5725MHz (CH100-CH116, CH132-CH140)

EIRP Power (Max.):

2.4 GHz: 19.97dBm

5 GHz: 22.97dBm

Software Version: V15.11.0.X

## Italiano

DICHIARAZIONE DI CONFORMITÀ UE SEMPLIFICATA

Il fabbricante, SHENZHEN IP-COM NETWORKS CO., LTD. dichiara che il tipo di apparecchiatura radio EW12 è conforme alla direttiva 2014/53/UE.

Il testo completo della dichiarazione di conformità UE è disponibile al seguente indirizzo Internet:

<http://ip-com.com.cn/en/ce.html>

## Português

DECLARAÇÃO UE DE CONFORMIDADE SIMPLIFICADA

O(a) abaixo assinado(a) SHENZHEN IP-COM NETWORKS CO., LTD. declara que o presente tipo de equipamento de rádio EW12 está em conformidade com a Diretiva 2014/53/UE. O texto integral da declaração de conformidade está disponível no seguinte endereço de Internet:

<http://ip-com.com.cn/en/ce.html>



## **Deutsch**

### VEREINFACHTE EU-KONFORMITÄTSERKLÄRUNG

Hiermit erklärt SHENZHEN IP-COM NETWORKS CO., LTD. dass der Funkanlagentyp EW12 der Richtlinie 2014/53/EU entspricht.

Der vollständige Text der EU-Konformitätserklärung ist unter der folgenden Internetadresse verfügbar:

<http://ip-com.com.cn/en/ce.html>

## **Polski**

### UPROSZCZONA DEKLARACJA ZGODNOŚCI UE

SHENZHEN IP-COM NETWORKS CO., LTD. niniejszym oświadcza, że typ urządzenia radiowego EW12 jest zgodny z dyrektywą 2014/53/UE.

Pełny tekst deklaracji zgodności UE jest dostępny pod następującym adresem internetowym:

<http://ip-com.com.cn/en/ce.html>

## **Français**

### DECLARATION UE DE CONFORMITE SIMPLIFIEE

Le soussigné, SHENZHEN IP-COM NETWORKS CO., LTD. déclare que l'équipement radioélectrique du type EW12 est conforme à la directive 2014/53/UE.

Le texte complet de la déclaration UE de conformité est disponible à l'adresse internet suivante:

<http://ip-com.com.cn/en/ce.html>

## **Română**

### DECLARAȚIA UE DE CONFORMITATE SIMPLIFICATĂ

Prin prezenta, SHENZHEN IP-COM NETWORKS CO., LTD. declară că tipul de echipamente radio EW12 este în conformitate cu Directiva 2014/53/UE. Textul integral al declarației UE de conformitate este disponibil la următoarea adresă internet:

<http://ip-com.com.cn/en/ce.html>

## **Magyar**

### EGYSZERŰSÍTETT EU-MEGFELELŐSÉGI NYILATKOZAT

SHENZHEN IP-COM NETWORKS CO., LTD. igazolja, hogy a EW12 típusú rádióberendezés megfelel a 2014/53/EU irányelvnek.

Az EU-megfelelőségi nyilatkozat teljes szövege elérhető a következő internetes címen:

<http://ip-com.com.cn/en/ce.html>

## **Русский**

### Декларация соответствия

Настоящим, SHENZHEN IP-COM NETWORKS CO., LTD. заявляет, что радиооборудование типа EW12 соответствует Директиве 2014/53 / ЕС. Полный текст декларации соответствия ЕС доступен по следующему интернет-адресу: <http://ip-com.com.cn/en/ce.html>

## **Čeština**

### ZJEDNODUŠENÉ EU PROHLÁŠENÍ O SHODĚ

Tímto SHENZHEN IP-COM NETWORKS CO., LTD. prohlašuje, že typ rádiového zařízení EW12 je v souladu se směrnicí 2014/53/EU. Úplné znění EU prohlášení o shodě je k dispozici na této internetové adrese:

<http://ip-com.com.cn/en/ce.html>

## **Español**

### DECLARACIÓN UE DE CONFORMIDAD SIMPLIFICADA

Por la presente, SHENZHEN IP-COM NETWORKS CO., LTD. declara que el tipo de equipo radioeléctrico **EW12** es conforme con la Directiva 2014/53/UE.

El texto completo de la declaración UE de conformidad está disponible en la dirección Internet siguiente:

<http://ip-com.com.cn/en/ce.html>

## **Български**

### ОПРОСТЕНА ЕС ДЕКЛАРАЦИЯ ЗА СЪОТВЕТСТВИЕ

С настоящото SHENZHEN IP-COM NETWORKS CO., LTD. декларира, че този тип радиосъоръжение EW12 е в съответствие с Директива 2014/53/ЕС.

Цялостният текст на ЕС декларацията за съответствие може да се намери на следния интернет адрес:

<http://ip-com.com.cn/en/ce.html>




**Caution:**

Adapter Model: BN017-A38048E, BN017-A38048B

Input: 100-240V AC 50/60Hz 1.0A

Output: 48V DC, 800mA

Manufacturer: SHENZHEN HEWEISHUN NETWORK TECHNOLOGY CO., LTD.

 : DC Voltage

### Operating Environment

- Temperature: 0°C - 40°C
- Humidity: (10% - 90%) RH, non-condensing




**RECYCLING**

This product bears the selective sorting symbol for Waste electrical and electronic equipment (WEEE). This means that this product must be handled pursuant to European directive 2012/19/EU in order to be recycled or dismantled to minimize its impact on the environment.

User has the choice to give his product to a competent recycling organization or to the retailer when he buys new electrical or electronic equipment.

For EU/EFTA, this product can be used in the following countries:

	BE	BG	CZ	DK	DE	EE	IE	EL	ES	FR
	HR	IT	CY	LV	LT	LU	HU	MT	NL	AT
	PL	PT	RO	SI	SK	FI	SE	UK		



## **FCC Statement**

This equipment has been tested and found to comply with the limits for a Class A digital device, pursuant to Part 15 of the FCC Rules. These limits are designed to provide reasonable protection against harmful interference in a residential installation. This equipment generates, uses and can radiate radio frequency energy and, if not installed and used in accordance with the instructions, may cause harmful interference to radio communications. However, there is no guarantee that interference will not occur in a particular installation. If this equipment does cause harmful interference to radio or television reception, which can be determined by turning the equipment off and on, the user is encouraged to try to correct the interference by one or more of the following measures:

- Reorient or relocate the receiving antenna.
- Increase the separation between the equipment and receiver.
- Connect the equipment into an outlet on a circuit different from that to which the receiver is connected.
- Consult the dealer or an experienced radio/TV technician for help.

Operation is subject to the following two conditions: (1) this device may not cause harmful interference, and (2) this device must accept any interference received, including interference that may cause undesired operation.

## **Radiation Exposure Statement**

This device complies with FCC radiation exposure limits set forth for an uncontrolled environment and it also complies with Part 15 of the FCC RF Rules.

This equipment should be installed and operated with minimum distance 20cm between the radiator & your body.

## **Caution:**

Any changes or modifications not expressly approved by the party responsible for compliance could void the user's authority to operate this equipment.

This transmitter must not be co-located or operating in conjunction with any other antenna or transmitter.

Operating frequency: 2412-2462MHz, 5150-5250MHz, 5725-5850MHz

**NOTE:** (1) The manufacturer is not responsible for any radio or TV interference caused by unauthorized modifications to this equipment. (2) To avoid unnecessary radiation interference, it is recommended to use a shielded RJ45 cable.

## **Technical Support**

Address: Room 101, Unit A, First Floor, Tower E3, NO.1001, Zhongshanyuan Road, Nanshan District, Shenzhen, China. 518052

Tel: (86755) 2765 3089

Email: [info@ip-com.com.cn](mailto:info@ip-com.com.cn)

Website: [www.ip-com.com.cn](http://www.ip-com.com.cn)

## **Copyright**

©2020 IP-COM Networks Co., Ltd. All rights reserved.

This documentation (including pictures, images, and product specifications, etc.) is for reference only. To improve internal design, operational function, and/or reliability, IP-COM reserves the right to make changes to the products described in this document without obligation to notify any person or organization of such revisions or changes.