

Dome Network Camera

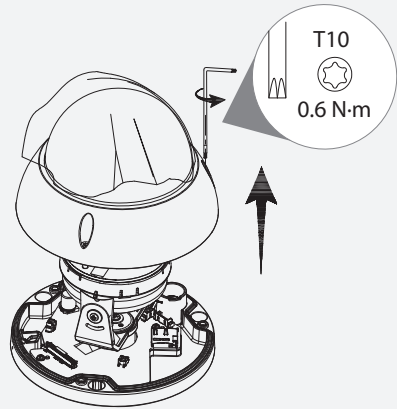
Installation Guide

V1.0.2

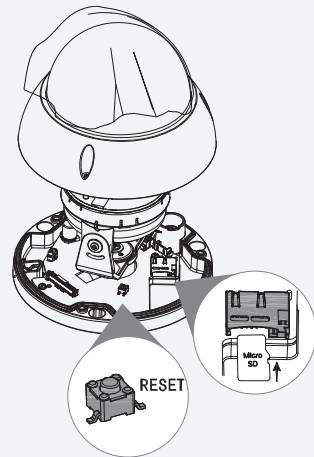
1



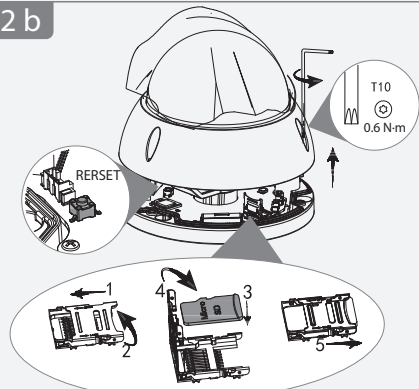
1.1



1.2 a



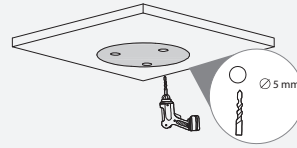
1.2 b



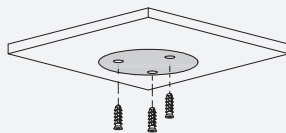
2



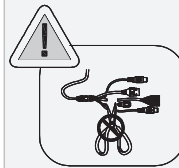
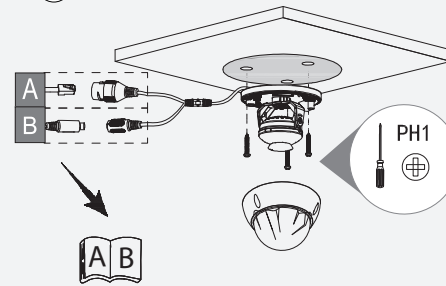
①



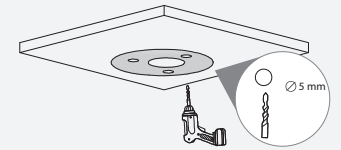
②



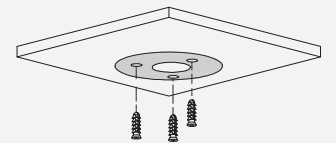
③



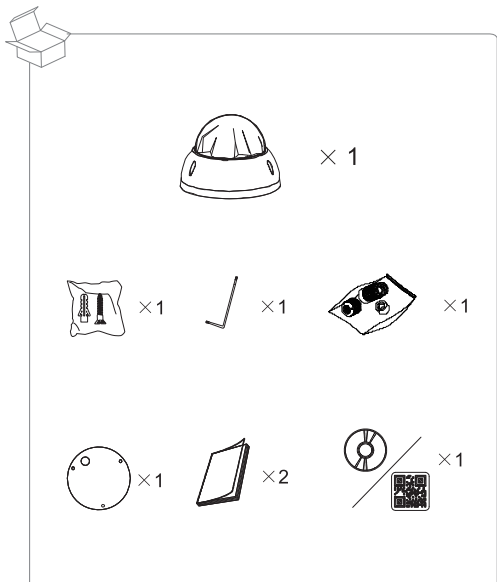
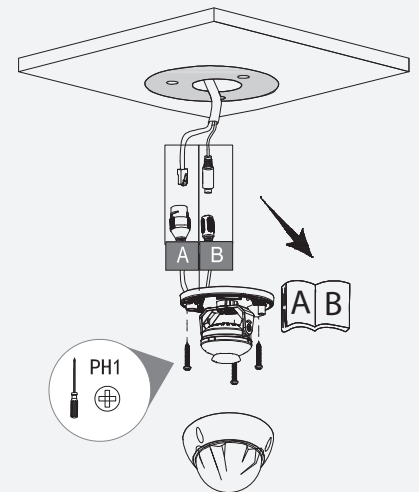
①



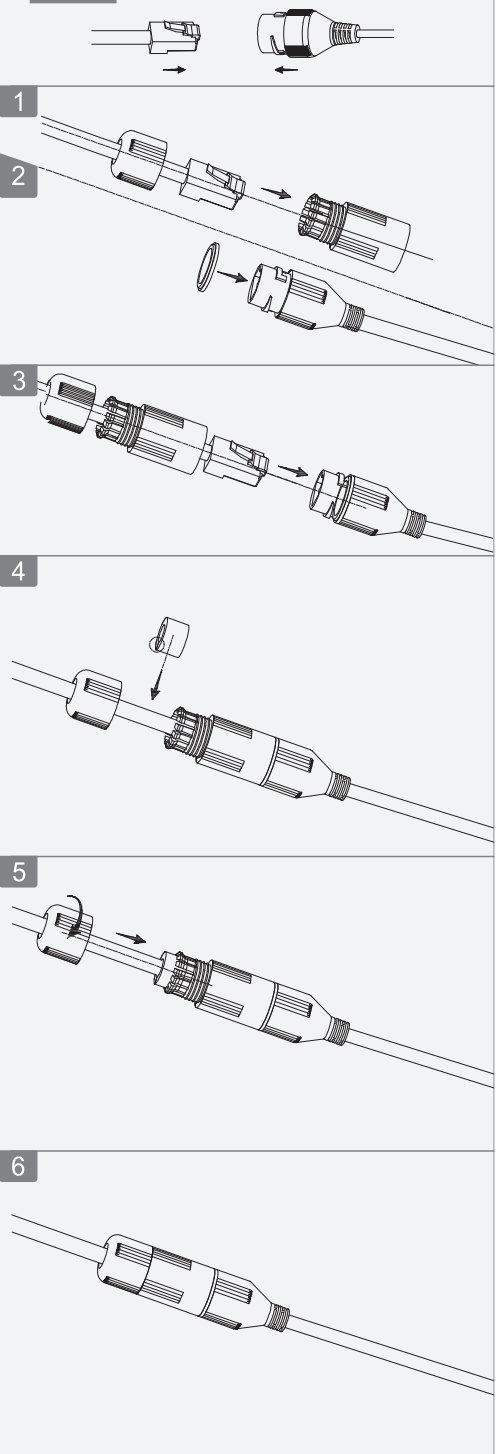
②



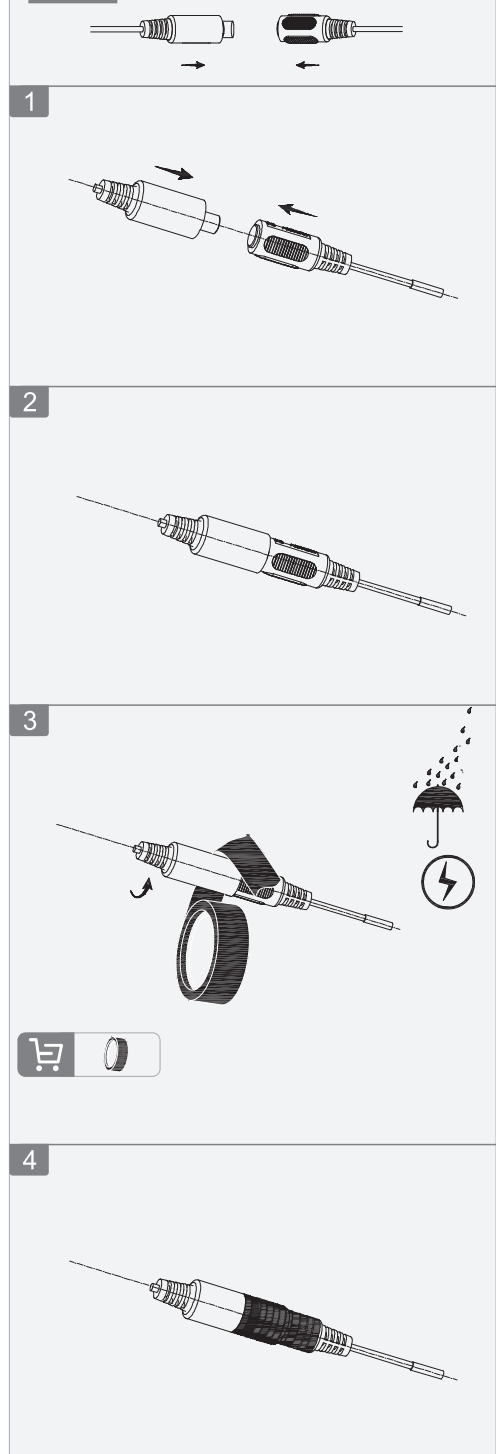
③



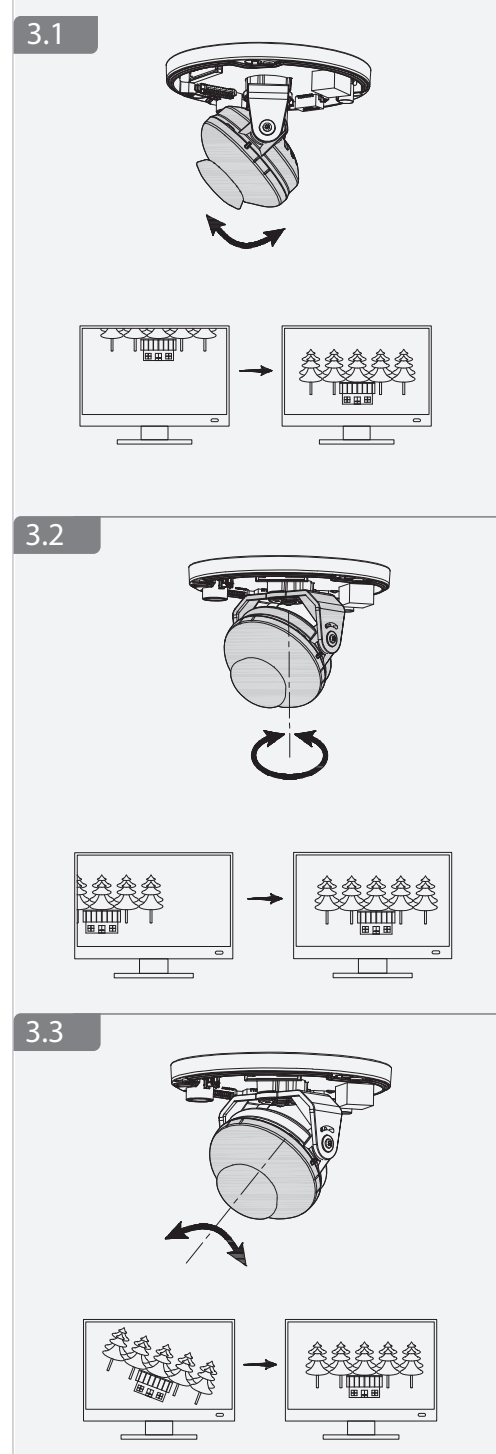
A Optional



B



3



4

