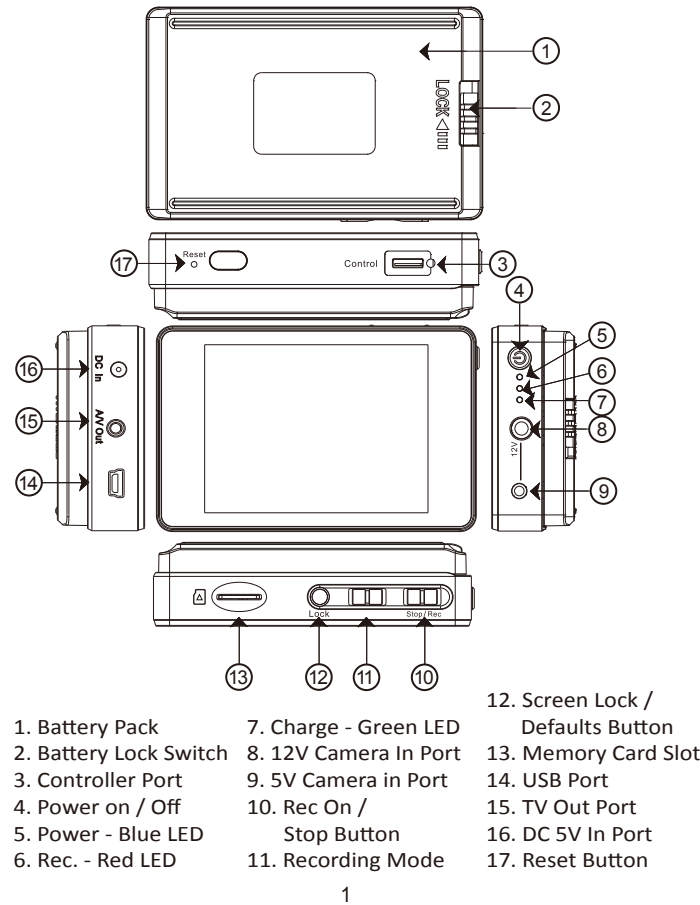
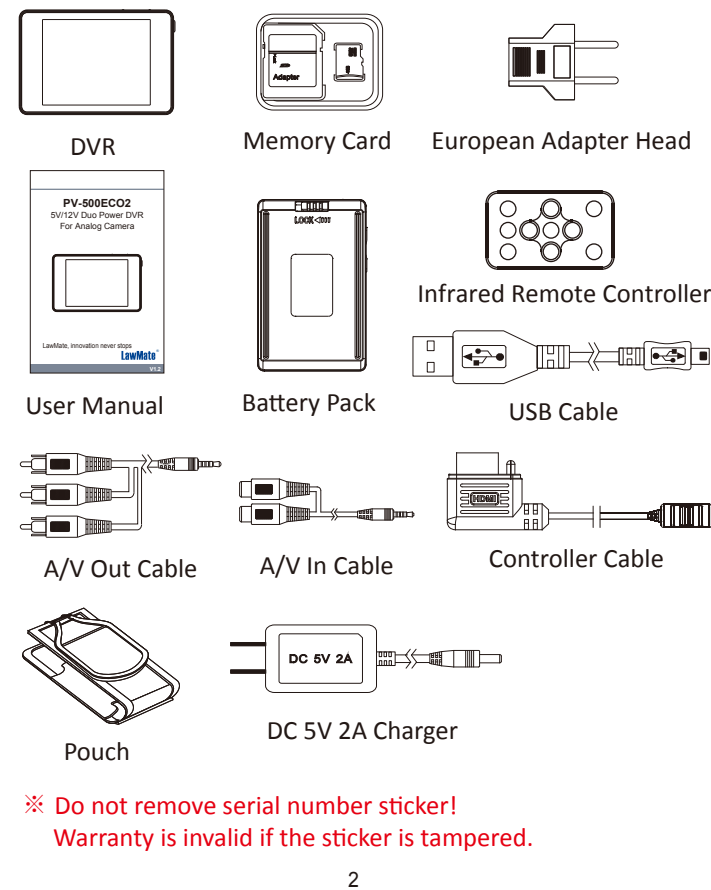


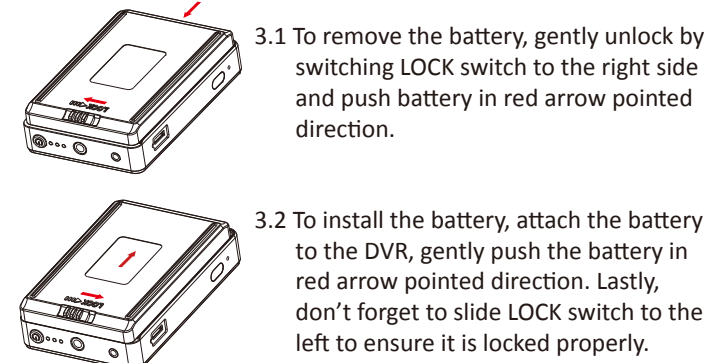
## 1. Names and Parts



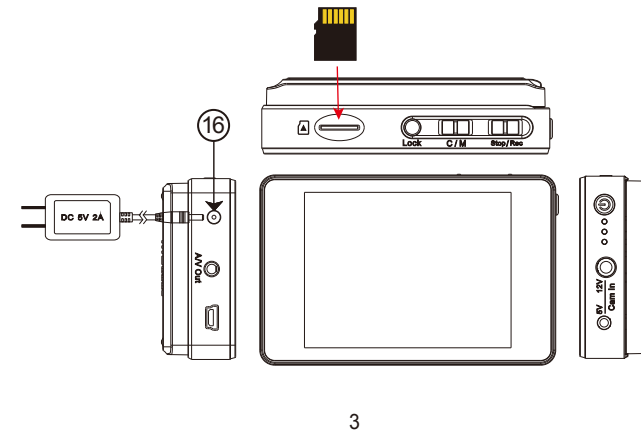
## 2. Package Content



## 3. Install and Remove Battery



## 4. Charge the Battery



1. Connect the charger plug to the DC in Jack (16).
2. Plug the power cord of the charger to an AC wall outlet. The charging starts automatically. The device can record while charging.
  - Solid green LED ■ - the device is charging.
  - Green LED goes off - the device is fully charged.

## 5. Operation

- 5.1 Power on  
Press (4) for 3 seconds.
- 5.2 Recording  
With device powered on, switch (10) to REC to start recording. Switch (10) to STOP to stop recording.
- 5.3 Recording Mode  
Switch (11) to select the mode before turning on the device then switch (10) to REC.
- 5.4 Power off  
With no ongoing recording, press (4) for 3 seconds.
- 5.5 Reset  
When the device functions abnormally, press (17).
- 5.6 Restore  
Press (12) for 10 seconds to restore to factory settings.
- 5.7 A/V Out  
Plug in the A/V out cable, switch screen by press LCD-TV on the infrared remote controller. After the video file list appears, you can switch to preview screen.
  - Before removing the A/V out cable, please switch back to DVR. Otherwise, the DVR screen will not display.
  - The TV screen and the DVR screen cannot display at the same time.
  - The A/V out port on DVR cannot be used with earphones to play sound.

Solid blue LED	■	Power On
Solid red LED	■	Recording On
Solid green LED	■	Device Charging

- ※ When both 5V and 12V cameras are plugged in, the device will adopt the 5V camera.
- ※ The device powers off itself when memory card is full.
- ※ Only connect the camera to DVR when system is turned off.
- ※ Both camera and memory card need to be inserted to DVR to turn the system on.

## 6. Format the Memory Card

On the DVR screen, go to Main Menu->Format. Confirm formatting action by pressing OK.

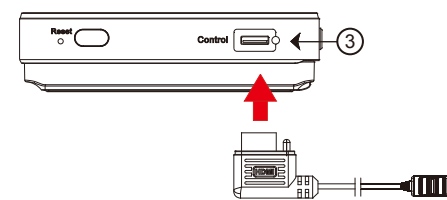
- ⚠ Caution: To make the memory card recognizable, please be sure to format the memory card before using it for the first time. Please note that formatting on computer is not recommended, for it might result in the failure for the computer to recognize the card.

## 7. Date and Time Setting

- 7.1 On the DVR screen, go to the Main Menu -> Time & Date Setting.
- 7.2 Set on PC (Windows System)
  - 7.2.1 From the desktop, right-click to open Notepad, create a text file named **settime.txt**
  - 7.2.2 On the first line of file, enter date and time information as year.month.day hours.minutes.seconds. For example, suppose the time is November 21, 2018 13:00. Then enter **2018.11.21 13:00:00**

- ※ There should be a space left between day and hours, and the time format should be of 24-hour clock.
- 7.2.3 Save the file to the root of memory card directly.
- 7.2.4 Insert the memory card into the slot and power on the device. The date and time setting is now completed.
- ※ When the date and time setting is completed, the file **settime.txt** should not be visible when you connect to the device computer again.

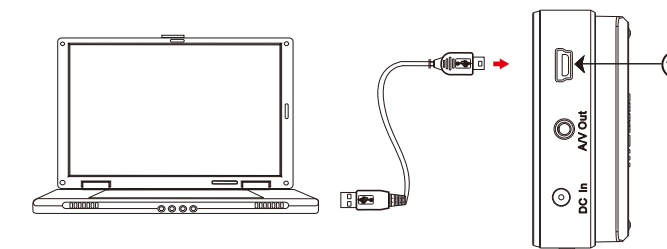
## 8. Connect the Wired Controller to the DVR



1. Plug in the Controller Cable into the Control port (3).
  2. Turn on the Controller, the device starts recording instantly. When turned off, the recording stops and device powered off.
  3. To turn on the device, slide the controller toggle downward and hold for 3 seconds.
  4. To turn off the device, slide the controller toggle downward again and hold for 3 seconds.
- Solid green LED ■ on Controller - the controller is connected.
  - Solid red LED ■ on Controller - the device is recording.

## 9. Connect the DVR to the Computer

With the DVR powered off, plug the USB cable into the USB port (14) on DVR and the other end to the computer.



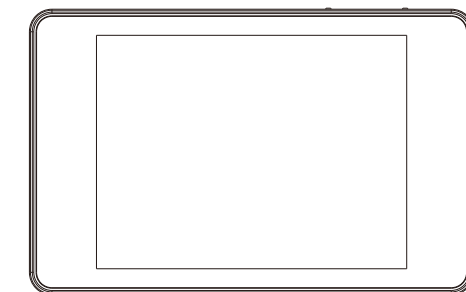
## 10. Download Videos and Photos from DVR

Knowing that all video files are stored in the memory card, you can process the following steps to download videos.

1. Use a memory card reader to transfer files from the card to the computer.
2. Or, connect the device to a computer with memory card inserted. Turn on the device and it will work as a flash drive.

※ This product is for Law Enforcement and Home Security Use Only!

## PV-500ECO2 5V/12V Duo Power DVR For Analog Camera



LawMate, innovation never stops

LawMate®