

4/16 CHANNEL NETWORK VIDEO ENCODER

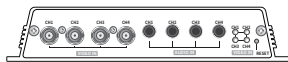
Quick Guide

SPE-420
SPE-1630

WHAT'S INCLUDED

As for each sales country, accessories are not the same.

SPE-420



Network Video Encoder



Power Terminal Block



User Manual or Quick Manual



Tapping Screw



Terminal Block (15 pin)

SPE-1630



Network Video Encoder



Power Adapter



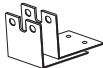
Power Cord



User Manual or Quick Manual



Bracket Fixing Screw



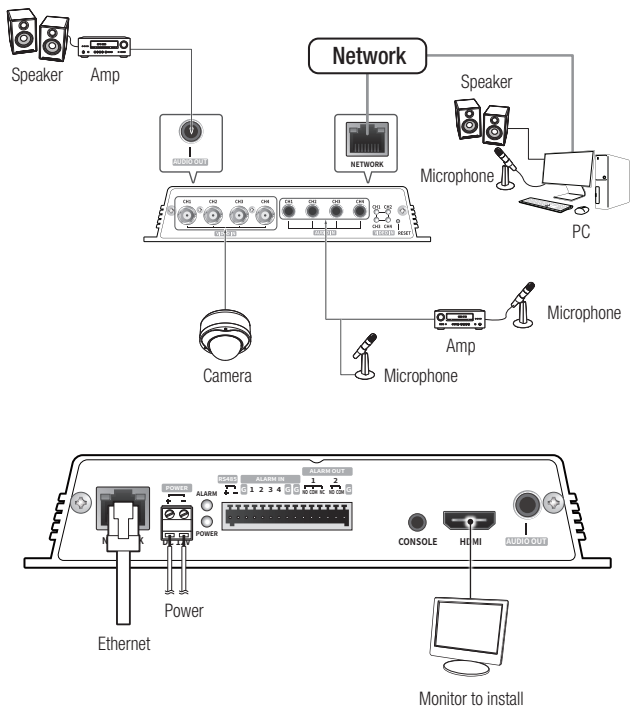
Bracket Rack



Rubber foot pads

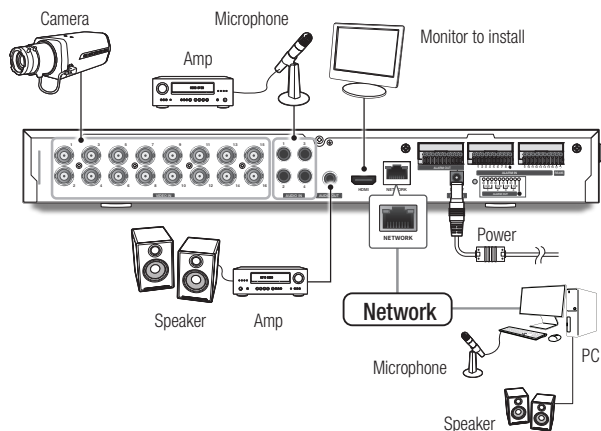
CONNECTING WITH OTHER DEVICE

SPE-420



* For details, refer to the "Installation and Connection" section of the manual.

SPE-1630



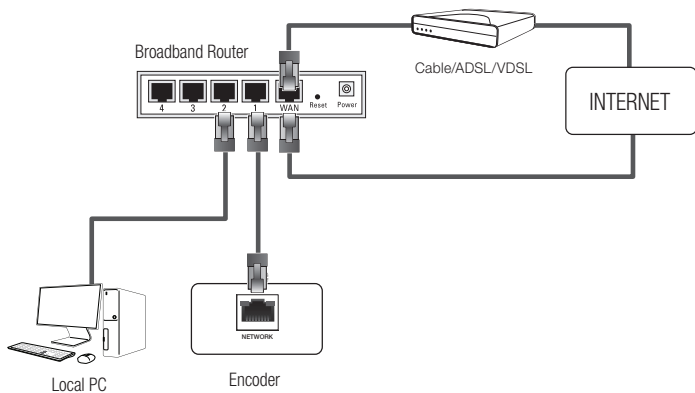
* For details, refer to the "Installation and Connection" section of the manual.

See the table below to connect your encoder to SSM.

For more details, see "Setting up the system" in the manual.

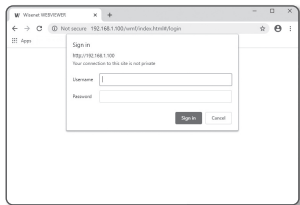
	SSM 2.0 lower	SSM 2.1 higher
Device type	NWC	Encoder

NETWORK WIRING DIAGRAM



Connecting to the encoder

1. Launch the Internet browser.
2. Type the IP address of the encoder in the address bar.
 - ex) • IP address (IPv4) : 192.168.1.100
→ <http://192.168.1.100>
- the Login dialog should appear.
 - IP address (IPv6) : 2001:230:abcd:ffff:0000:0000:ffff:1111
→ [http://\[2001:230:abcd:ffff:0000:0000:ffff:1111\]](http://[2001:230:abcd:ffff:0000:0000:ffff:1111])
- the Login dialog should appear.



* For details, refer to the "Web Viewer" section of the manual.

PASSWORD SETTING

When you access the product for the first time, you must register the login password.



- For a new password with 8 to 9 digits, you must use at least 3 of the following: uppercase/lowercase letters, numbers and special characters. For a password with 10 to 15 digits, you must use at least 2 types of those mentioned.

- Special characters that are allowed. : ~!@#\$%^&*()-_+=~[]\|;:'"<>.,?/

- Space is not allowed for password.
- For higher security, you are not recommended to repeat the same characters or consecutive keyboard inputs for your passwords.
- If you lost your password, you can press the **[RESET]** button to initialize the product. So, don't lose your password by using a memo pad or memorizing it.

Administrator password change

New password

Confirm new password

- If the password is 8 to 9 characters long, it must include at least 3 of the following character types: English uppercase letters, English lowercase letters, numbers, and special characters.
- If the password is 10 characters or longer, it must include at least 2 of the following character types: English uppercase letters, English lowercase letters, numbers, and special characters.
- ID may not be used as password. The password and ID cannot be identical.
- The following special characters can be used: ~!@#\$%^&*()-_+=~[]\|;:'"<>.,?/
- You may not use more than 4 consecutive characters. (example: 1234, abcd, etc.)
- You may not use the same character 4 or more times consecutively. (example: 11, 111, aaaa, etc.)

Apply

LOGIN

Whenever you access the encoder, the login window appears. Enter the User ID and password to access the encoder.

- Enter **"admin"** in the **<User Name>** input box.
- Enter the password in the **<Password>** input field.
- Click **[Sign In]**.

Sign in

http://192.168.1.100

Your connection to this site is not private

1 Username

2 Password

3 Sign in Cancel



Hanwha Vision cares for the environment at all product manufacturing stages, and is taking measures to provide customers with more environmentally friendly products.

The Eco mark represents Hanwha Vision's devotion to creating environmentally friendly products, and indicates that the product satisfies the EU RoHS Directive.



Correct Disposal of This Product (Waste Electrical & Electronic Equipment)

(Applicable in the European Union and other European countries with separate collection systems)

This marking on the product, accessories or literature indicates that the product and its electronic accessories (e.g. charger, headset, USB cable) should not be disposed of with other household waste at the end of their working life. To prevent possible harm to the environment or human health from uncontrolled waste disposal, please separate these items from other types of waste and recycle them responsibly to promote the sustainable reuse of material resources.

Household users should contact either the retailer where they purchased this product, or their local government office, for details of where and how they can take these items for environmentally safe recycling.

Business users should contact their supplier and check the terms and conditions of the purchase contract. This product and its electronic accessories should not be mixed with other commercial wastes for disposal.



Correct disposal of batteries in this product

(Applicable in the European Union and other European countries with separate battery return systems.)

This marking on the battery, manual or packaging indicates that the batteries in this product should not be disposed of with other household waste at the end of their working life. Where marked, the chemical symbols Hg, Cd or Pb indicate that the battery contains mercury, cadmium or lead above the reference levels in EC Directive 2006/66. If batteries are not properly disposed of, these substances can cause harm to human health or the environment.

To protect natural resources and to promote material reuse, please separate batteries from other types of waste and recycle them through your local, free battery return system.

