

Client:

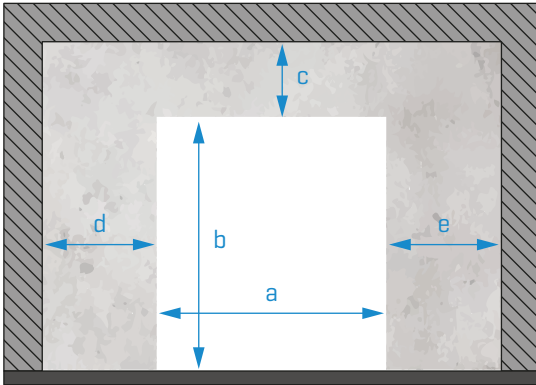
Date:

 / /

Delivery desired date:

 / /

01. INSTALLATION AREA



Quantity

Local dimensions [mm]:

MANDATORY FILLING

a

b

c

d

e

PVC color:

<input type="checkbox"/> 5013	<input type="checkbox"/> 5002	<input type="checkbox"/> 5015
<input type="checkbox"/> 6026	<input type="checkbox"/> 3002	<input type="checkbox"/> 2004
<input type="checkbox"/> 1003	<input type="checkbox"/> 1015	<input type="checkbox"/> 9005
<input type="checkbox"/> 7037	<input type="checkbox"/> 7038	<input type="checkbox"/> 7035
<input type="checkbox"/> 9016	Other: <input type="text"/>	

Additional devices:

<input type="checkbox"/> Magnetic loop	Model <input type="text"/>	<input type="checkbox"/> Radars	Model <input type="text"/>
<input type="checkbox"/> Remote control	<input type="text"/>	<input type="checkbox"/> Tunnel kit	<input type="text"/>

STANDARD COLOR - RAL9010
Textured finishing

OTHER COLORS / FINISHINGS
If you wish another color or type of finishing:

Other Options:

OBSERVATIONS:

IN THIS SPACE YOU SHOULD DESCRIBE EVERYTHING YOU FIND RELEVANT TO THE AUTOMATISM PRODUCTION]

MOTOR AND CONTROL BOARD POSITION:

Motor installed on the right

Control Board installed on the right

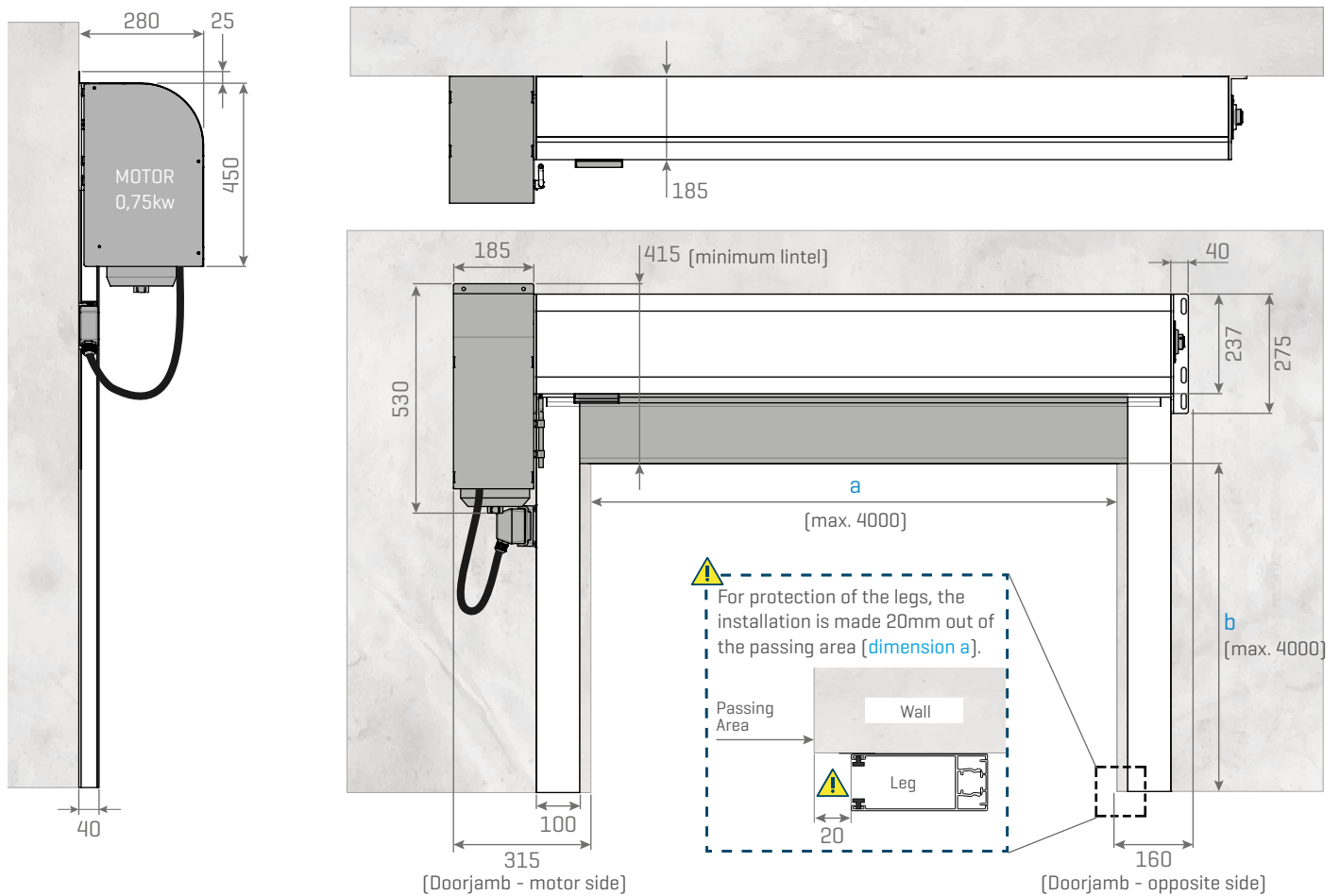
Motor installed on the left

Control Board installed on the left

IN THIS SPACE YOU SHOULD DRAW EVERYTHING YOU FIND RELEVANT TO THE AUTOMATISM PRODUCTION]

02. TECHNICAL DRAWING

Dimensions in mm



03. TECHNICAL DRAWING (TUNNEL KIT)

Dimensions in mm

