

Client:

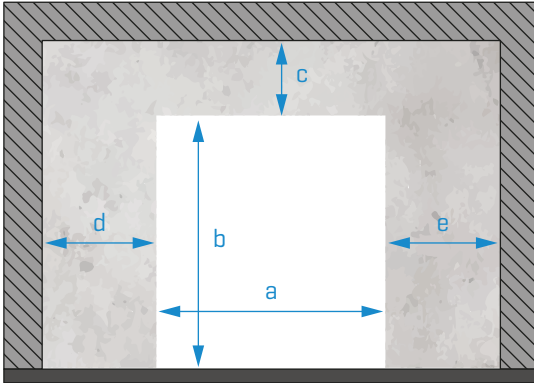
Date:

 / /

Desired supply date:

 / /

01. INSTALLATION AREA



Quantity

Local dimensions [mm]:

MANDATORY FILLING

a

b

c

d

e

PVC color:

<input type="checkbox"/> 5013	<input type="checkbox"/> 5002	<input type="checkbox"/> 5015
<input type="checkbox"/> 6026	<input type="checkbox"/> 3002	<input type="checkbox"/> 2004
<input type="checkbox"/> 1003	<input type="checkbox"/> 1015	<input type="checkbox"/> 9005
<input type="checkbox"/> 7037	<input type="checkbox"/> 7038	<input type="checkbox"/> 7035
<input type="checkbox"/> 9016	Other: <input type="text"/>	

Additional devices:

<input type="checkbox"/> Magnetic loop	Model <input type="text"/>	<input type="checkbox"/> Radars	Model <input type="text"/>
<input type="checkbox"/> Remote control	<input type="text"/>	<input type="checkbox"/> Tunnel kit	<input type="text"/>

STANDARD COLOR - RAL9010
Textured finishing

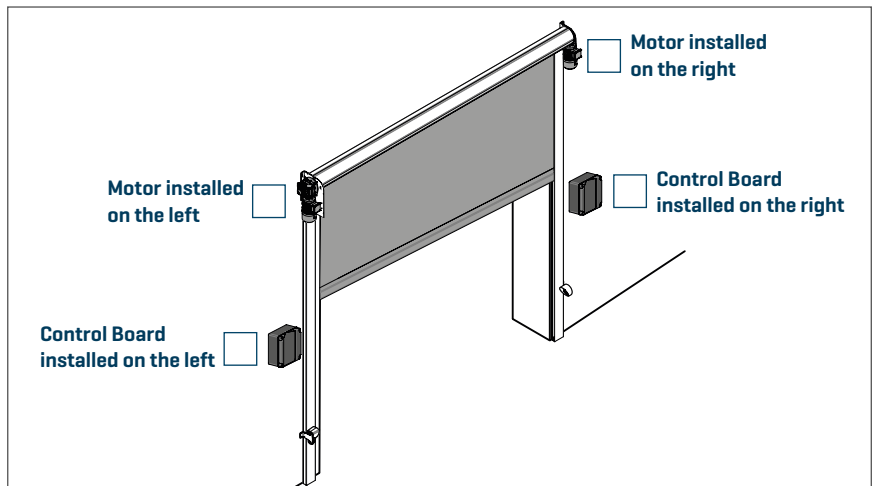
OTHER COLORS / FINISHINGS
If you wish another color or type of finishing:

Other Options:

OBSERVATIONS:

IN THIS SPACE YOU SHOULD DESCRIBE EVERYTHING YOU FIND RELEVANT TO THE AUTOMATISM PRODUCTION]

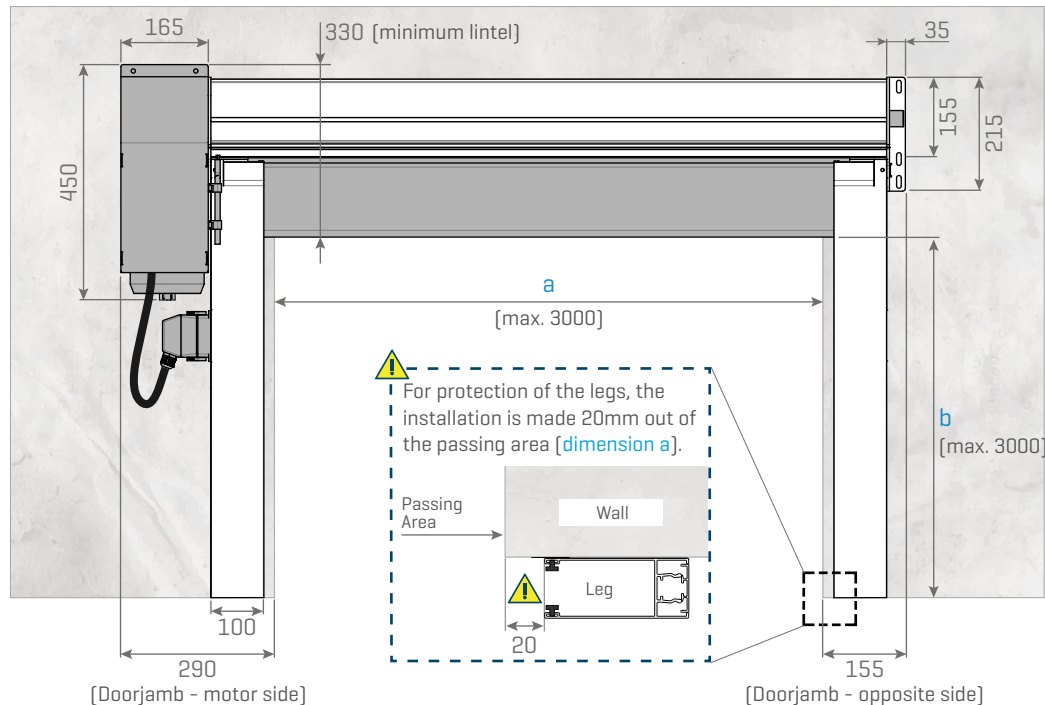
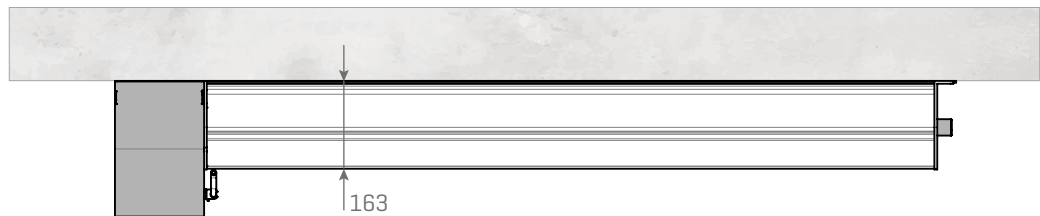
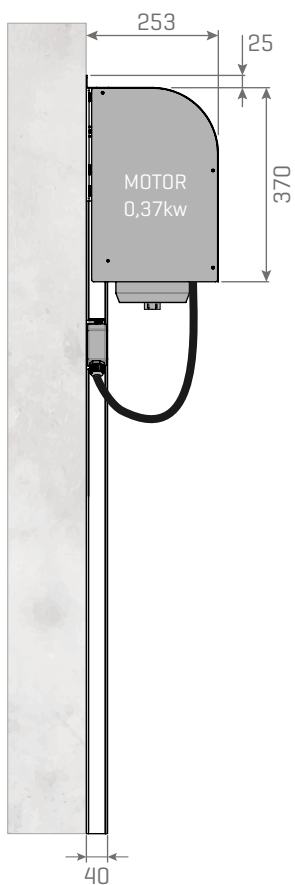
MOTOR AND CONTROL BOARD POSITION:



IN THIS SPACE YOU SHOULD DRAW EVERYTHING YOU FIND RELEVANT TO THE AUTOMATISM PRODUCTION]

02. TECHNICAL DRAWING

Dimensions in mm



03. TECHNICAL DRAWING (TUNNEL KIT)

Dimensions in mm

