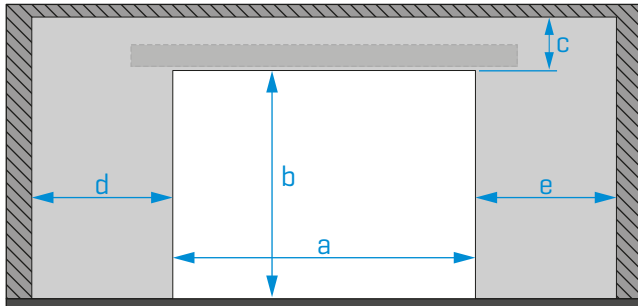


Client: _____

Date: ____/____/____

Desired supply date: ____/____/____

01. INSTALLATION LOCAL:



Quantity

Local dimensions [mm]:

! Mandatory filling
← follow scheme

- a [Clear passage width]
- b [Clear passage height]
- c [Lintel]
- d [Left lateral]
- e [Right lateral]



[machine size]

[fix kit size]

02. ADDITIONAL DEVICES:

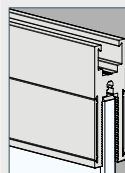
[SELECT DESIRED OPTIONS WITH AN X AND PLACE QUANTITIES WHEN NECESSARY]



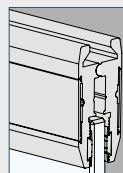
Complete with X
or with quantity

- M1601 - Radar
- MR27 - Radar with photocells
- MR30 - Radar with photocells
- Ceiling fixing plate
- RAP50 - Radar
- RAP100S - Radar with photocells
- FOT09S1A - Photocells
- MELE01 - Electric lock
- MR10 - Receiver
- FALK - Remote controls
- Glass [production form filling required]

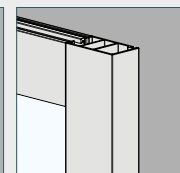
X
1, etc



Fixation glass drilling F1



Fixation glass grip F2



Aluminium frame profile

C048 System

Other devices/
accessories:

SAFE

Textured finishing [standard]:

- Natural anodized
- White powder coating
- Black powder coating

Another workmanship:

Painting | RAL color

FRAME OR CLAMP

Textured finishing [standard]:

- Natural anodized
- White powder coating
- Black powder coating

Another workmanship:

Painting | RAL color

03. NUMBER OF LEAFS AND ORIENTATION:

[SELECT DESIRED OPTIONS WITH AN X]

1

- 1 mobile leaf
- Open to Left

2

- 1 mobile leaf
- Open to Right

3

- 2 mobile leaves

4

- 1 mobile leaf
- 1 fixed leaf
- Open to Left

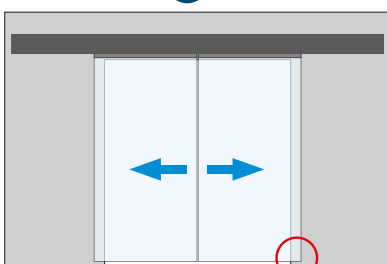
5

- 1 mobile leaf
- 1 fixed leaf
- Open to Right

6

- 2 mobile leaves
- 2 fixed leaves

04. OVERLAP:



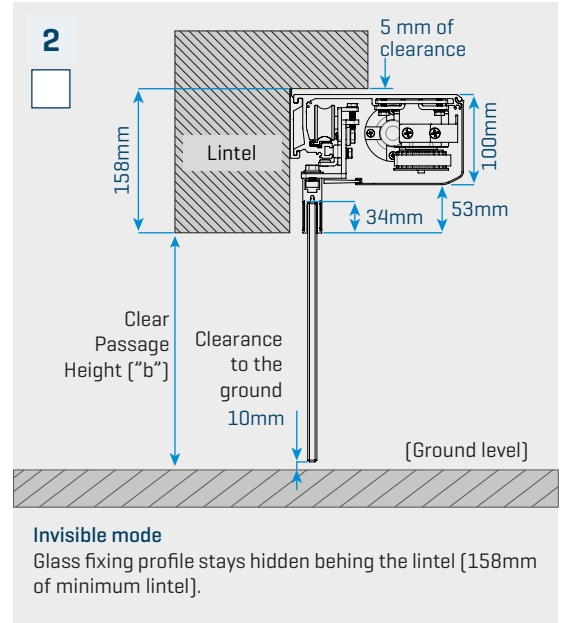
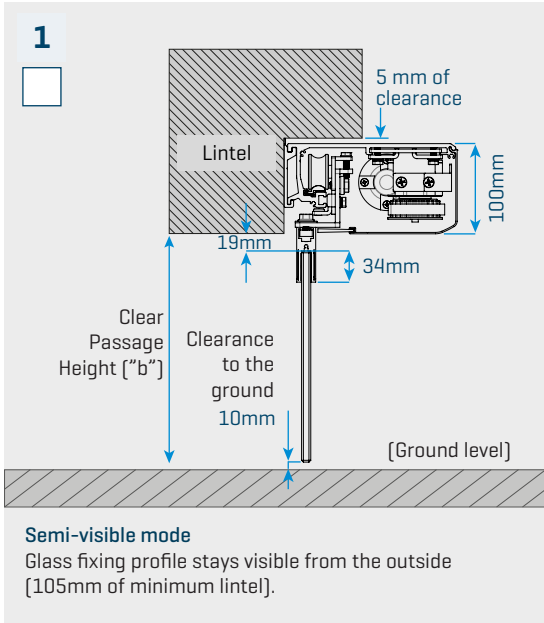
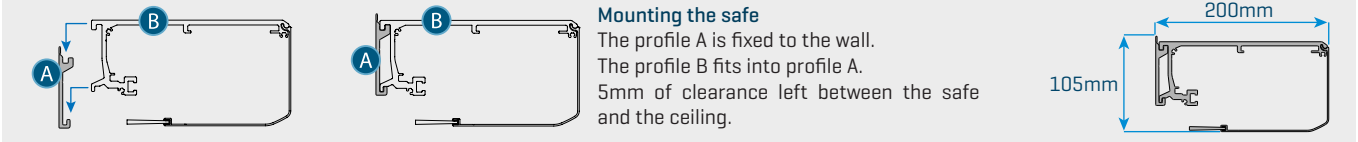
During closed mode, we recommend the usage of an overlap [usually between 25 to 50mm] of the door leaves with the wall for a better isolation.

Example: In a place that has 2000mm of width [dimension "a"], the mobile leaves can be produced with 1000mm each, but due to the overlap, each leaf must be produced with a width between 1025mm and 1050mm.

Please write down the width dimension that each leaf must be produced, according to your desired overlap:

⚠ Must only send this sheet if you want the glass leaves to be provided with the automatism.

APPLICATION MODE - SIMPLE GLASS LEAF : 
 [SELECT WITH X THE DESIRED OPTION]



GLASS PRODUCTION: 

GLASS TYPE:

Example:
 If you choose the "Semi -Visible mode" and have a clear passage height of 2000mm, then the glass leaf height must be 1971mm [2000-29].

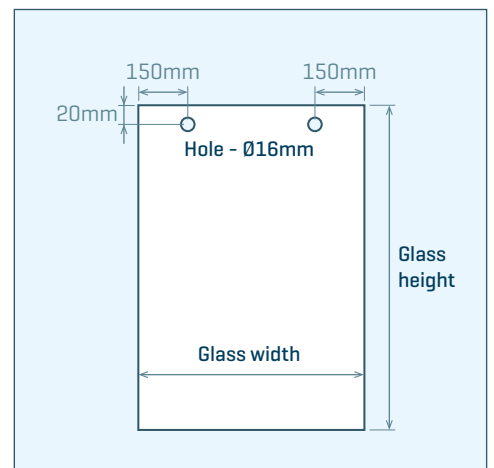
SEMI-VISIBLE MODE:

Height Glass Leaf	=	Clear Passage Height	-	29mm
-------------------	---	----------------------	---	------

INVISIBLE MODE:

Height Glass Leaf	=	Clear Passage Height	+	24mm
-------------------	---	----------------------	---	------

HOLES ON GLASS LEAF FOR FIX KIT:

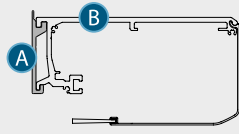
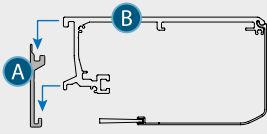


OBSERVATIONS:
 [In this space you should describe everything you find relevant to the automatism production] 

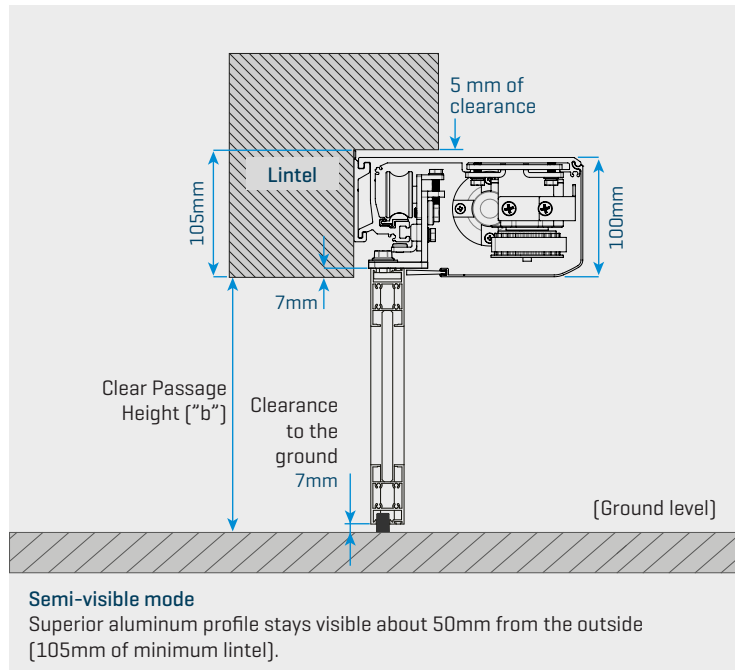
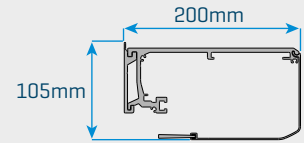


Must only send this sheet if you want the aluminum frames and/or glass leaves to be provided with automatism. Please refer in the "Observations" field if you want frames, glass or both.

APPLICATION MODE - ALUMINUM FRAME



Mounting the safe
The profile A is fixed to the wall.
The profile B fits into profile A.
5mm of clearance left between the safe and the ceiling.



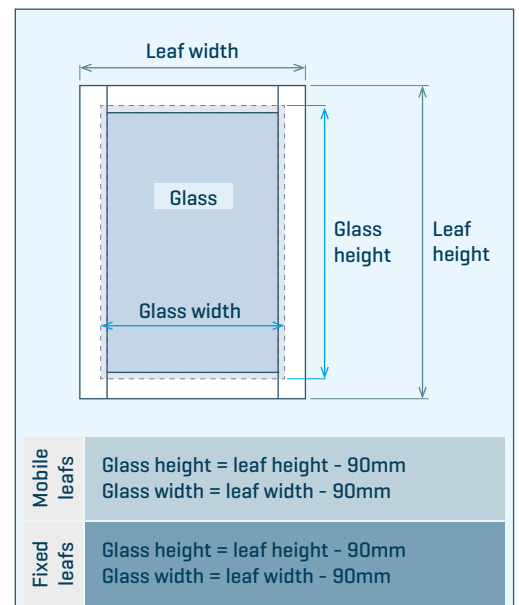
Height Leaf	=	Clear Passage Height
-------------	---	----------------------

GLASS PRODUCTION:



GLASS TYPE:

Example:
If you choose the "Semi -Visible mode" and have a clear passage height of 2000mm, then the glass leaf height must be 1971mm [2000-29].



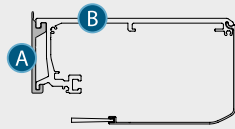
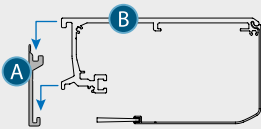
OBSERVATIONS:

[In this space you should describe everything you find relevant to the automatism production]

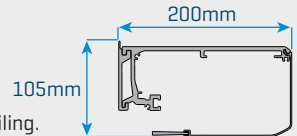


! Must only send this sheet if you want the glass leaves to be provided with the automatism.

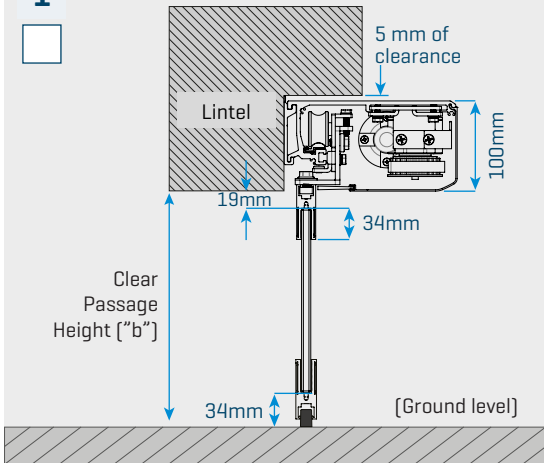
APPLICATION MODE - SIMPLE GLASS LEAF WITH LOWER F1 FIXING KIT:
 [SELECT WITH X THE DESIRED OPTION]



Mounting the safe
 The profile A is fixed to the wall.
 The profile B fits into profile A.
 5mm of clearance left between the safe and the ceiling.



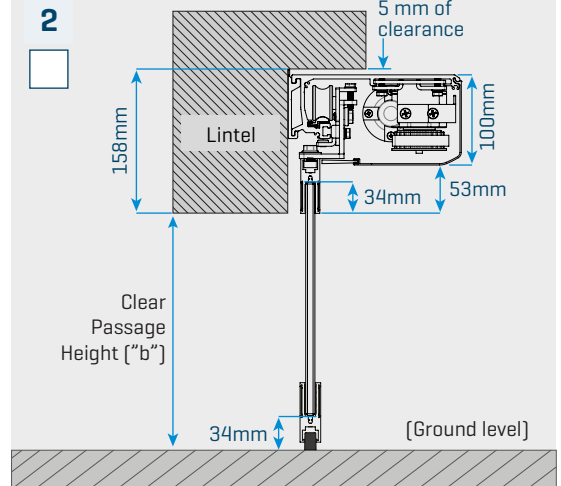
1



Semi-visible mode

Glass fixing profile stays visible from the outside
 (105mm of minimum lintel).

2



Invisible mode

Glass fixing profile stays hidden behind the lintel
 (158mm of minimum lintel).

GLASS PRODUCTION:



GLASS TYPE:

Example:

If you choose the "Semi-Visible mode" and have a clear passage height of 2000mm, then the glass leaf height must be 1947mm [2000-53].

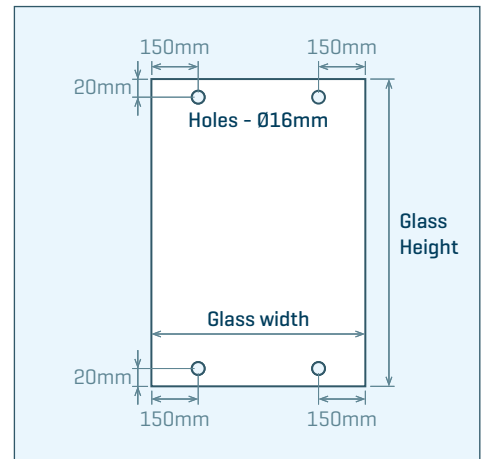
SEMI-VISIBLE MODE:

$$\begin{matrix} \text{Height} & = & \text{Clear} \\ \text{Glass} & = & \text{Passage} - 53\text{mm} \\ \text{Leaf} & = & \text{Height} \end{matrix}$$

INVISIBLE MODE:

$$\begin{matrix} \text{Height} & = & \text{Clear} \\ \text{Glass} & = & \text{Passage} \\ \text{Leaf} & = & \text{Height} \end{matrix}$$

HOLES ON GLASS LEAF FOR FIX KIT:



OBSERVATIONS:

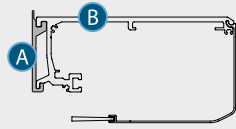
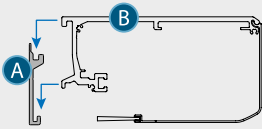
[In this space you should describe everything you find relevant to the automatism production]





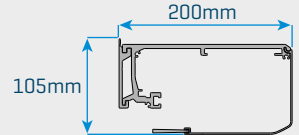
Must only send this sheet if you want the glass leaves to be provided with the automatism.

APPLICATION MODE - SIMPLE GLASS LEAF WITH F2 CLAMP:
[SELECT WITH X THE DESIRED OPTION]

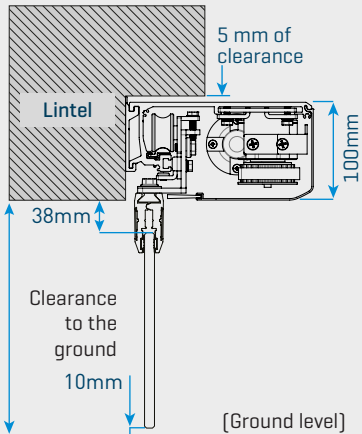


Mounting the safe

The profile A is fixed to the wall.
The profile B fits into profile A.
5mm of clearance left between the safe and the ceiling.



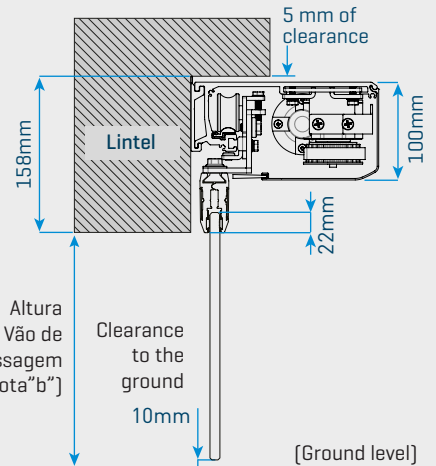
1



Semi-visible mode

Glass fixing profile stays visible from the outside [105mm of minimum lintel].

2



Invisible mode

Glass fixing profile stays hidden behind the lintel [158mm of minimum lintel].

GLASS PRODUCTION:



GLASS TYPE:

SEMI-VISIBLE MODE:

$$\begin{matrix} \text{Height} & & \text{Clear} \\ \text{Glass} & = & \text{Passage} \\ \text{Leaf} & & \text{Height} \end{matrix} - 48\text{mm}$$

INVISIBLE MODE:

$$\begin{matrix} \text{Height} & & \text{Clear} \\ \text{Glass} & = & \text{Passage} \\ \text{Leaf} & & \text{Height} \end{matrix} + 12\text{mm}$$

Example:

If you choose the "Semi-Visible mode" and have a clear passage height of 2000mm, then the glass leaf height must be 1952mm [2000 - 48].

OBSERVATIONS:

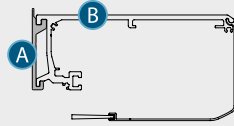
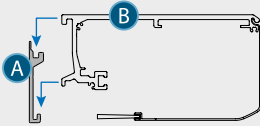
[In this space you should describe everything you find relevant to the automatism production]





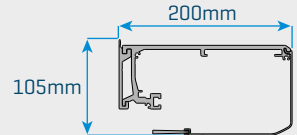
Must only send this sheet if you want the glass leaves to be provided with the automatism.

APPLICATION MODE - SIMPLE GLASS WITH F2 GLAMP AND F1 INFERIOR FIXING KIT:
 [SELECT WITH X THE DESIRED OPTION]

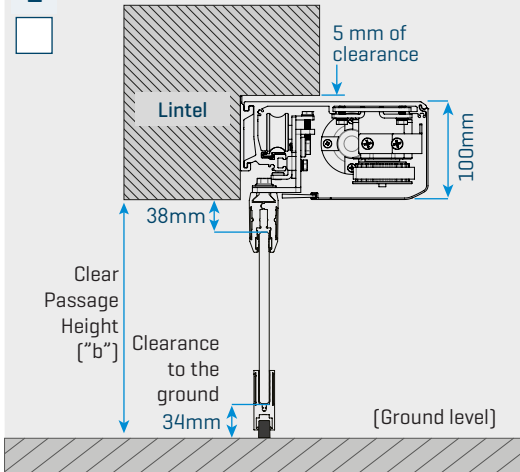


Mounting the safe

The profile A is fixed to the wall. Espaço 5mm
 The profile B fits into profile A. 5mm
 5mm of clearance left between the safe and the ceiling.



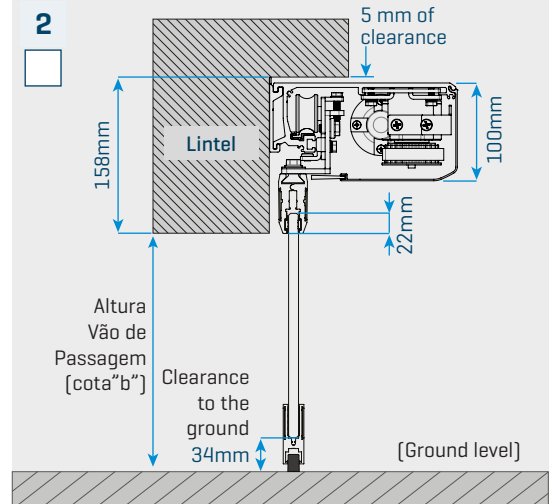
1



Semi-visible mode

Glass fixing profile stays visible from the outside [105mm of minimum lintel].

2



Invisible mode

Glass fixing profile stays hidden behind the lintel [158mm of minimum lintel].

GLASS PRODUCTION:

GLASS TYPE:

SEMI-VISIBLE MODE:

Height Glass Leaf	=	Clear Passage Height	-	72mm
-------------------	---	----------------------	---	------

INVISIBLE MODE:

Height Glass Leaf	=	Clear Passage Height	-	12mm
-------------------	---	----------------------	---	------

Example:

If you choose the "Semi-Visible mode" and have a clear passage height of 2000mm, then the glass leaf height must be 1928mm [2000 - 72].

OBSERVATIONS:

[In this space you should describe everything you find relevant to the automatism production]