

# DHI-VTH8A21KMS-CW

Android IP & Wi-Fi Indoor Monitor



- Elegant all-screen design
- 7" capacitive touchscreen, 1024 × 600
- Built-in Android OS and flat UI design
- Used with the door station, master station and platform to form a intercom system
- House-to-house visible communication(with camera)
- 6-channel alarm input and 1-channel alarm output



## Technical Specification

### System

Main Processor	Embedded processor
Operating System	Android 8.1
Network Protocol	IPv4; TCP; SIP; UDP; RTSP

### Video

Video compression	H.264
Image Sensor	1/2.9" 2MP CMOS
Lens	2mm
Angle of View	D:84.5° H:73.5° V:58.4°

### Basic

Screen Type	7" full-color TFT
Resolution	1024 (H) × 600 (V)
Audio Compression	G.711a; G.711u; PCM
Audio Input	1-ch omnidirectional microphone
Audio Output	Built-in speaker
Audio Mode	Two-way voice call
Audio Bit Rate	16 kHz, 16 bit

### Function

Communication Mode	Full digital
Information Release	Receive and view information released by the management center
DND Mode	Do not disturb period can be set.

Number of Extensions	Villa: 9 Apartment: 4 Wi-Fi intercom: 1 main monitor, 2 extension monitors
----------------------	--

Wi-Fi	Yes
-------	-----

### Performance

Casing	Aluminum
--------	----------

### Port

Alarm Input	6
Alarm Output	1
Network Port	RJ-45 port, 10/150 Mbps self-adaptive
Storage	Micro SD Card, Max 64 GB (reserved for software)

### Alarm

SOS	Yes
-----	-----

### General

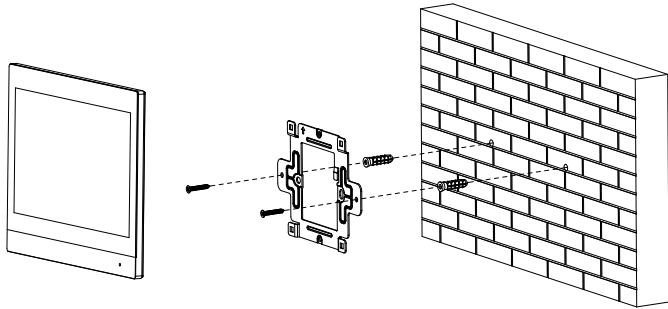
Appearance Color	Silver
Power Supply	12–24 VDC, 1 A; Standard PoE
Power Adapter	Not Standard
Installation	Surface
Accessory	Surface mount bracket: Included Alarm ribbon cable: Included Power cord: Included RS-485 and power output ribbon cable: Included SD card: Optional (<64 GB)
Product Dimensions	185 mm × 147 mm × 23.3 mm (7.28" × 5.79" × 0.92")
Operating Temperature	–10 °C to +55 °C (+14 °F to +131 °F)
Operating Humidity	10%–90% (RH), non-condensing
Power Consumption	≤ 1 W (standby), ≤ 6 W (working)
Gross Weight	0.41 kg (0.90 lb)

# DHI-VTH8A21KMS-CW

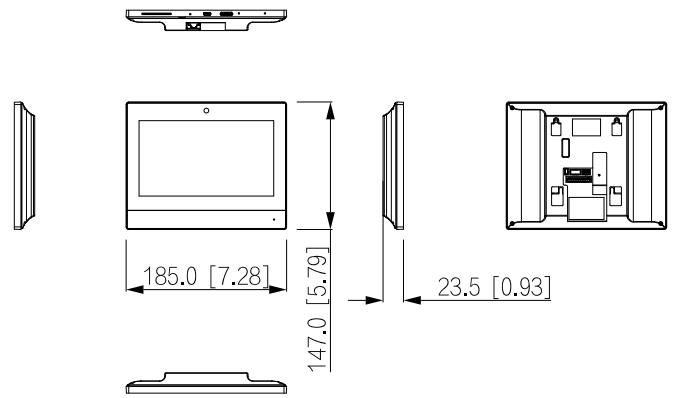
## Ordering Information

Type	Model	Description
Indoor Monitor	DHI-VTH8A21KMS-CW	Android IP & Wi-Fi Indoor Monitor

## Installation



## Dimensions (mm[inch])



## Application

