



## 19" wall cabinet CH-4U-06-06-DS-9005



### General information about the product

The cabinet is designed for the installation of telecommunications, electrical, patch cords and other equipment to 19-inch standard.

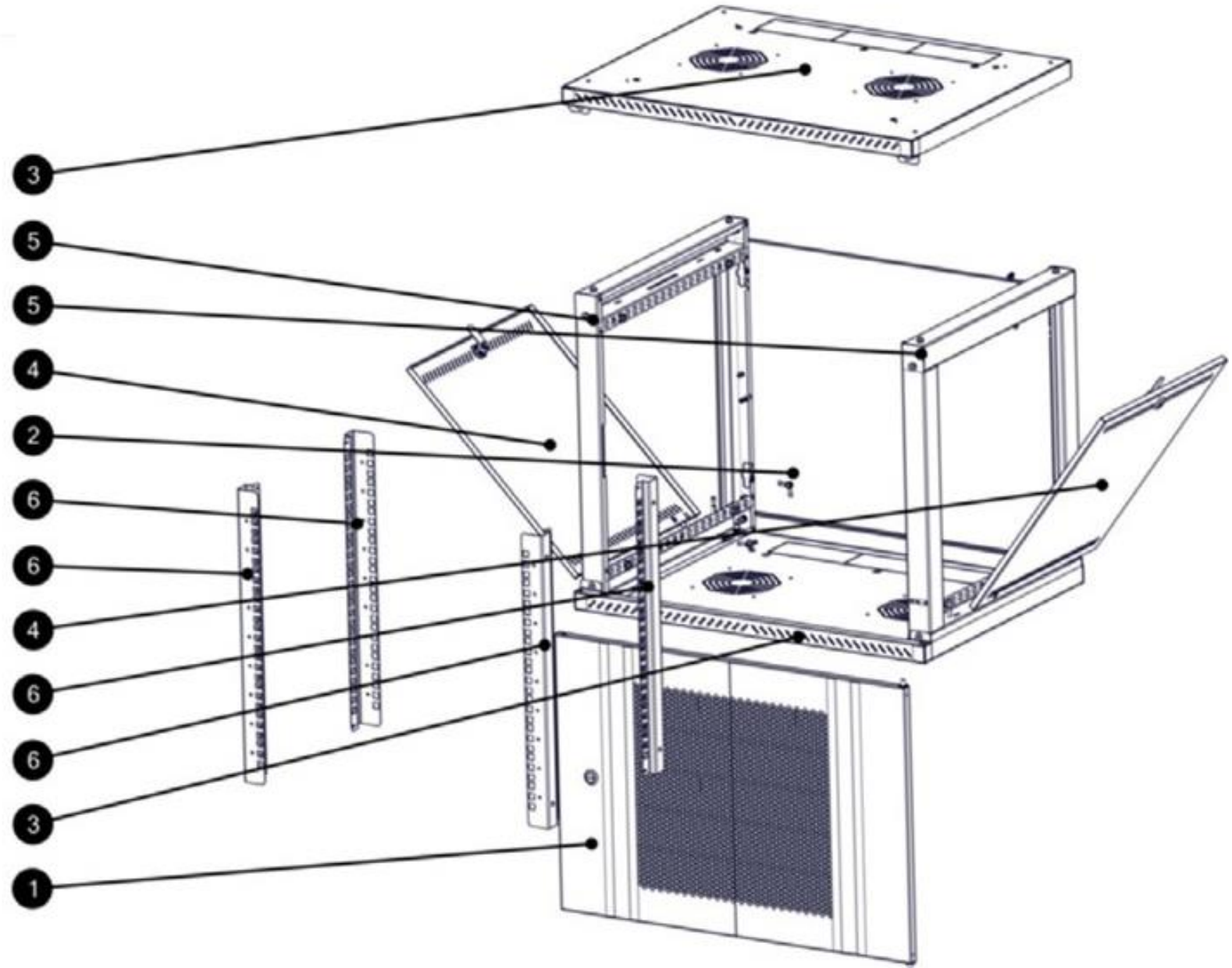
The structure of the cabinet is collapsible, consisting of blocks: Ceiling and floor, connected by frames, removable panels and doors.

### Technical description

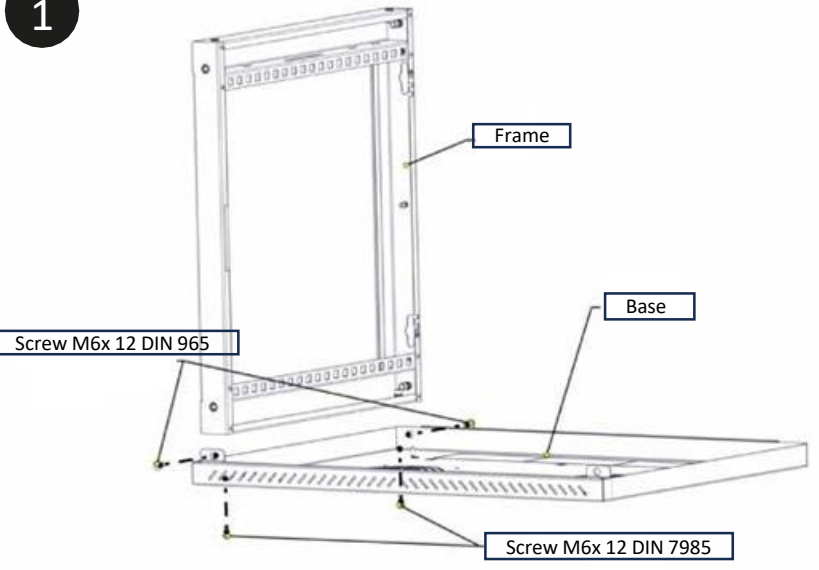
Height	4U
Width	600 mm
Depth	600 mm
Color	Black (RAL 9005)
Metal thickness	Mounting post - galvanized steel Combining metal S = 0,5 – 1,0 mm
Product assembly time	less than 10 minutes
Static load	60 kg
Door opening angle	120 Degrees
Cable glands	For standard brush seal sizes
Level of protection	IP21
Door types	tempered glass

# Installation instructions

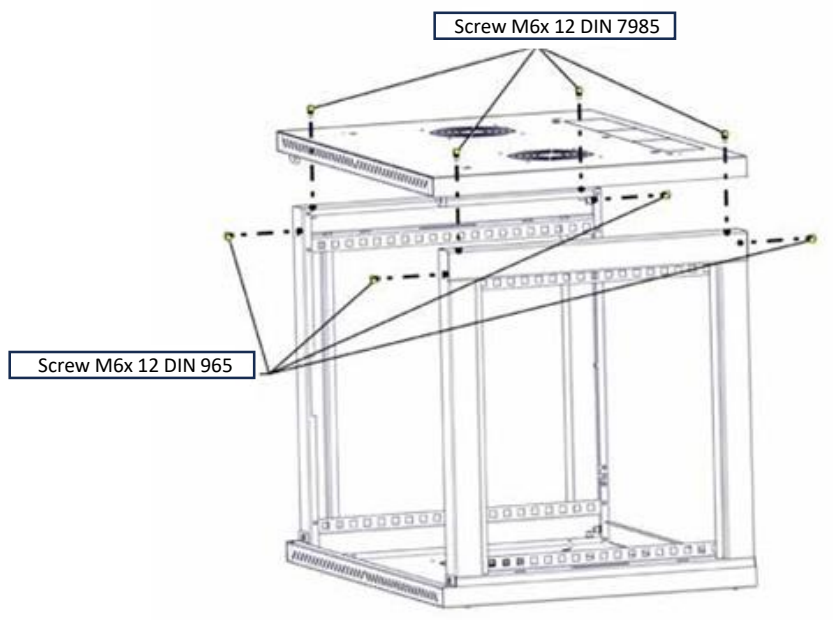
Confession	Position	Quantity
Doors	1	1
Back wall	2	1
Base	3	2
Side wall	4	2
Frame	5	2
Rack unit	6	4



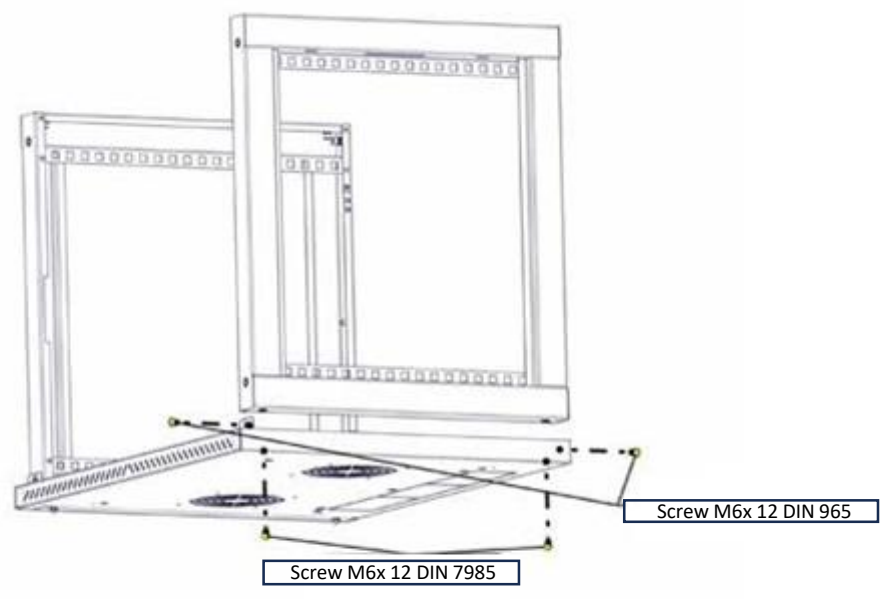
1



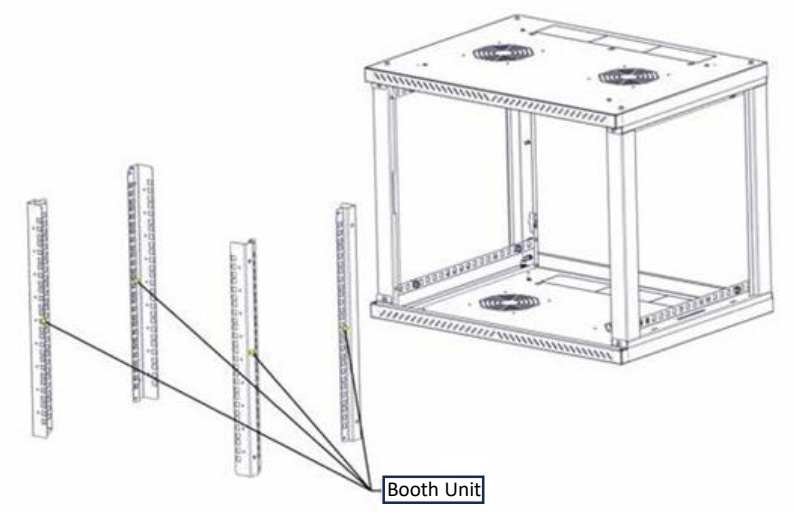
3



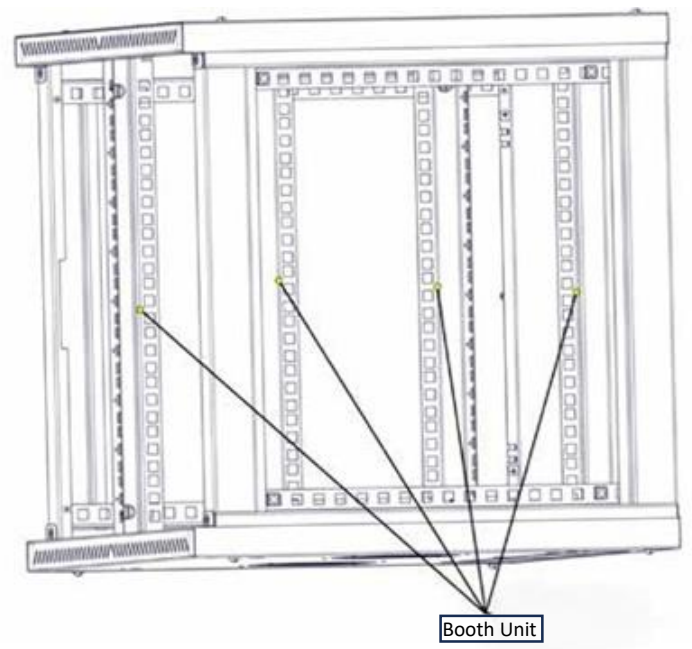
2



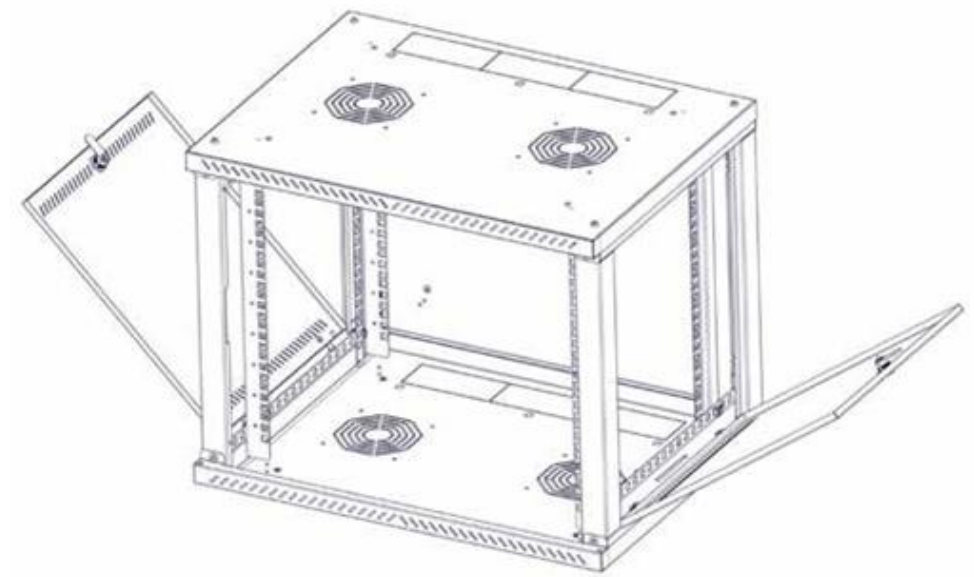
4



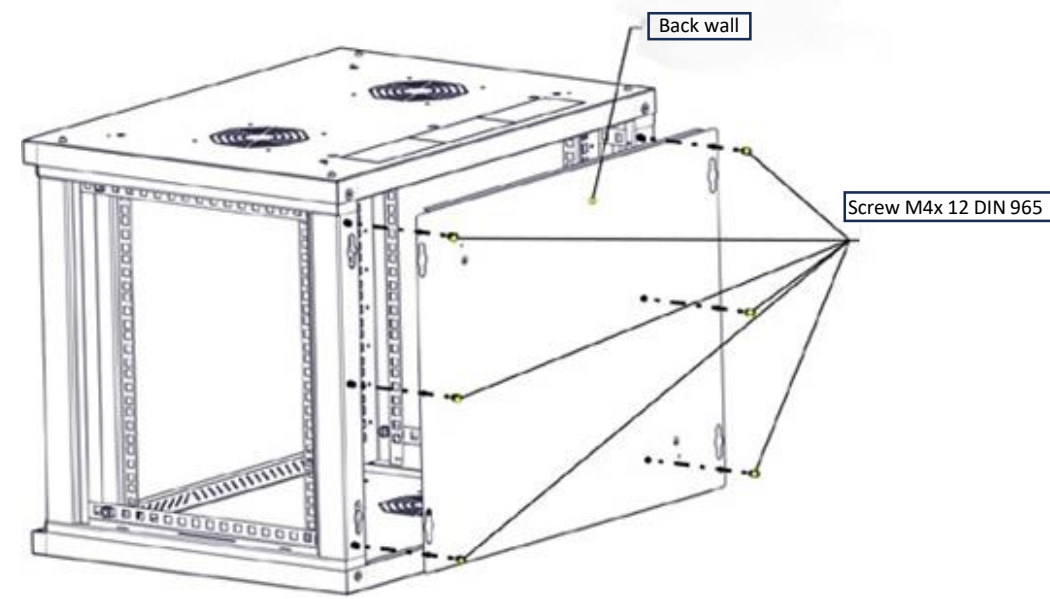
5



7



6



8

