

PRODUCT TECHNICAL DATASHEET

R92/LED230

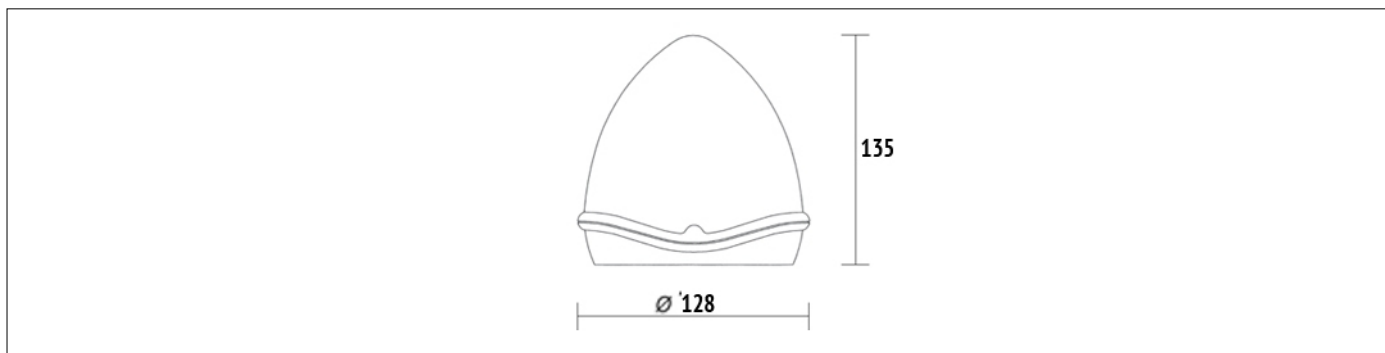
230V AC 



CODE	DESCRIPTION	PCS/PALLET
R92/LED230	LED flashing light series R92 230V AC.	

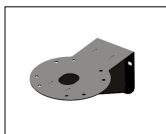
PRODUCT TECHNICAL SPECIFICATIONS	
Standard power	230V AC +/- 10% 50Hz
Operating temperature	-20+55 °C
Protection level	IP44
Max flashing light charge	10W
Modulation	1Hz (with option fixed light)
Type of light	9 LED
Maximum dimension product in mm (L x W x H)	128 x 128 x 137
Product weight packed (Kg)	0,3

PRODUCT DIMENSIONS AND PREPARING FOR INSTALLATION



DIMENSIONS

PRODUCT ACCESSORIES



KT228

Fixing plate for flashing light
R92 series.