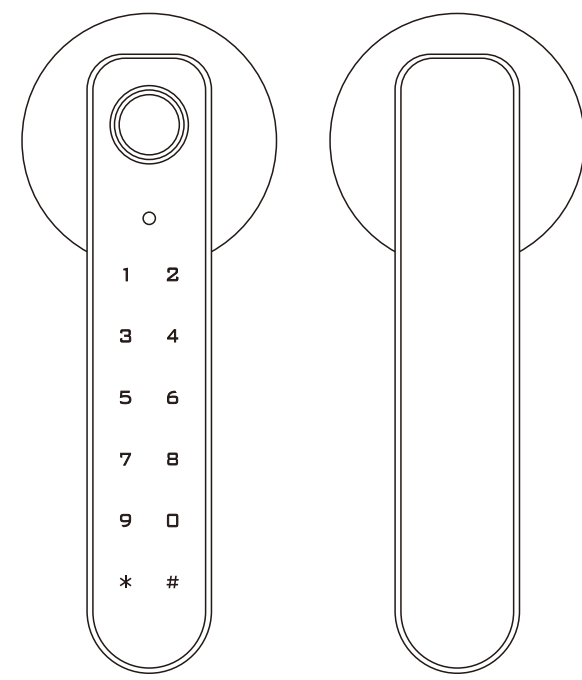


Wireless Smart Door Lock



User Manual

INTRODUCTION

The device is a wireless fingerprint & PIN handle lock, which supports 100 fingerprint users and 155 PIN users. With 4pcs AAA batteries, it can use about 6 months (bases on 30 times/day), and it will remind people to replace batteries intelligently if low battery.

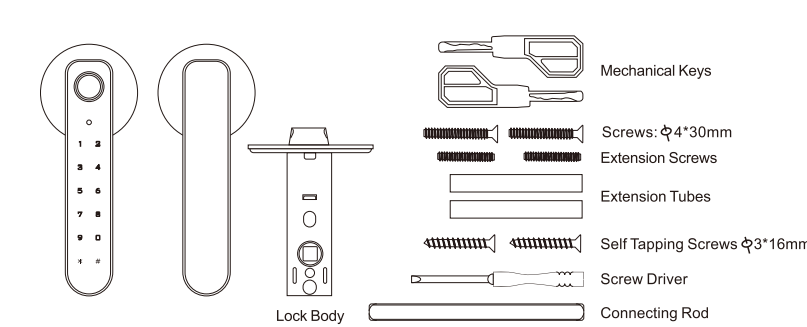
Optional Version:
With Tuya Bluetooth (supports 100 APP users).
People can install the APP to easily access the door with their Smartphone (APP operation can refer to APP manual)

- Features:**
- > Zinc alloy case
 - > 255 users (100 fingerprint + 155 PIN)
 - > PIN length: 4-6 digits
 - > With USB port for emergency power
 - > With Backup mechanical key for emergency override

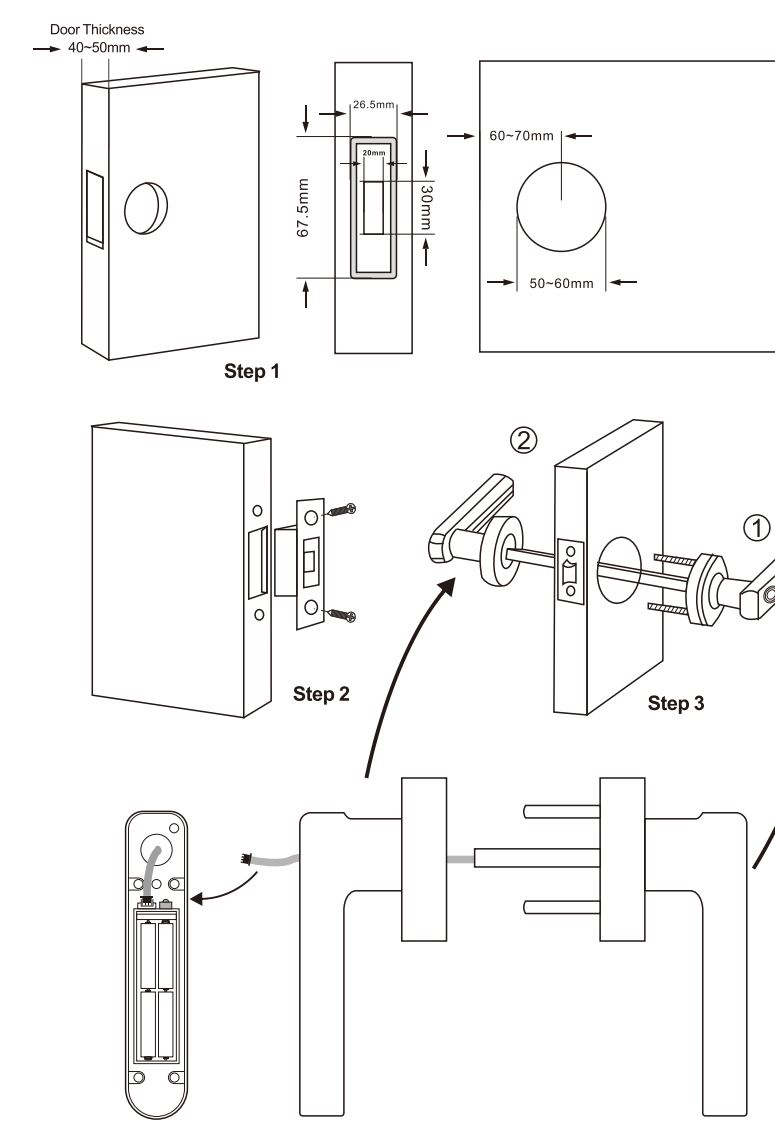
Specifications

Hardware User Capacity	255
Fingerprint	100 (Includes 1 Master Fingerprint)
PIN	155
PIN Length	4-6 Digits
Idle Current	≤25uA
Working Current	≤120mA
Operating Voltage	4 Units AAA Batteries
Operating Temperature	-25°C-60°C
Physical	Zinc-alloy
Dimensions	L165 x W29 x D65.5 (mm)
Shipping Weight	1.2kg

Carton Inventory



INSTALLATION



Simplified Instruction

Function Description	Operation
Enter the Program Mode	* (Master Code) # (123456 is the factory default master code)
Change the Master Code	0 (New Code) # (Repeat the New Code) # (code: 6 digits)
Add Fingerprint User	1 (Input Fingerprint 3 Times) # (can add Fingerprints continuously)
Add PIN User	1 (PIN) # PIN Length: 4-6 digits (can add PINs continuously)
Delete user	2 (Fingerprint) # 2 (PIN) # 2 (User ID) # (can delete Users continuously)
Exit from the programming mode	*
How to release the door	
Fingerprint Access	Input Fingerprint
PIN User	PIN #
Lock Immediately	0 #

PROGRAMMING

Set Master Code

Programming Step	Keystroke Combination
1. Enter Program Mode	* (Master Code) # (Factory default is 123456)
2. Update Master Code	0 (New Master Code) # (Repeat New Master Code) # (Master code is any 6 digits)
3. Exit Program Mode	*

Add Users

(Fingerprint user ID: 0-98, PIN user ID: 100-254; PIN length: 4-6 digits)

Programming Step	Keystroke Combination
1. Enter Program Mode	* (Master Code) #
Add Fingerprint User	
2. Using Auto ID (Allows the device to assign FP to next available User ID number)	1 (Fingerprint) (Repeat Fingerprint) (Repeat Fingerprint Again) # The fingerprints can be added continuously.
OR	
2. Select Specific ID (Allows Master to define a specific User ID to associate the FP to)	1 (User ID) # (Fingerprint) (Repeat Fingerprint) (Repeat Fingerprint Again) #
Add PIN User	
2. Using Auto ID (Allows the device to assign PIN to next available User ID number)	1 (PIN) # The PINs can be added continuously.
OR	
2. Select Specific ID (Allows Master to define a specific User ID to associate the PIN to)	1 (User ID) # (PIN) #
3. Exit	*

Delete Users

Programming Step	Keystroke Combination
1. Enter Program Mode	* (Master Code) #
2. Delete User - By FP or PIN	2 (Input Fingerprint) / (Input PIN) # The users can be deleted continuously.
OR	
2. Delete User - By ID number	2 (User ID) #
2. Delete ALL Users	2 (Master Code) #
3. Exit	*

Add / Delete Master Fingerprint

Programming Step	Keystroke Combination
1. Enter Program Mode	* (Master Code) #
2. Add Master Fingerprint	5 (Fingerprint) (Repeat Fingerprint) (Repeat Fingerprint Again)
OR	
2. Delete Master Fingerprint	5 (Master Code) #
3. Exit	*

Remark: If the master fingerprint is deleted, need power off the lock then power on again, then can add new master fingerprint.

Master Fingerprint Usage

Using Master Fingerprint to add and delete users	
Add Fingerprint or PIN User	1. Input (Master Fingerprint) 2. Input (Fingerprint Three Times) / (PIN #) Repeat Step 2 for additional users 3. Input (Master Fingerprint) again
Delete Fingerprint or PIN User	1. Input (Master Fingerprint Twice Within 5s) 2. Input (Fingerprint) / (PIN #) Repeat Step 2 for additional users 3. Input (Master Fingerprint) again

Set Relay Configuration

The relay configuration sets the behaviour of the output relay on activation.

Programming Step	Keystroke Combination
1. Enter Program Mode	* (Master Code) #
2. Pulse Mode	3 (1-99) # (factory default) The relay time is 1-99 seconds. (Default is 5 seconds)
OR	
2. Toggle Mode	3 0 # Sets the relay to ON/OFF Toggle mode
3. Exit	*

Set Access Mode

For Multi Fingerprints/PINs access mode, the interval time of reading fingerprints / inputting PINs can not exceed 5 seconds, or else, the device will exit to standby automatically.

Programming Step	Keystroke Combination
1. Enter Program Mode	* (Master Code) #

2. Fingerprint Access	4 0 #
OR	
2. PIN Access	4 2 #
OR	
2. Fingerprint or PIN Access	4 3 # (factory default)
OR	
2. Multi Fingerprints / PINs Access	4 3 (2-9) # (Only after 2-9 users, the door can be opened)
3. Exit	*

Set Audible and Visual Response

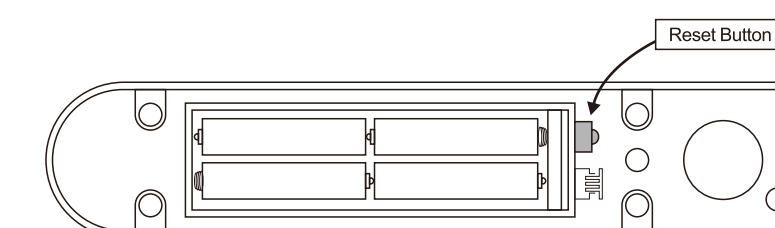
Programming Step	Keystroke Combination
1. Enter Program Mode	* (Master Code) #
2. Disable Sound	6 0 #
Enable Sound	6 1 # (factory default)
OR	
2. Keypad Backlit Always OFF	6 2 #
Keypad Backlit Automatic OFF After 5s	6 3 # (factory default)
OR	
2. Fingerprint Sensor LED OFF	6 4 #
Fingerprint Sensor LED ON	6 5 # (factory default)
3. Exit	*

How to Open and Close the Lock

1. Open the Lock	PIN # Input Fingerprint
2. Close the Lock	0 #

Reset to factory default

Remove the batteries, press the reset button, hold it and install the batteries, after 5 seconds, the lock beep and the Orange LED bright, then release the reset button, reset to factory default successfully. (The user's information is still retained)



SOUND AND LIGHT INDICATION

Operation Status	Red LED	Green LED	Buzzer
Stand by	OFF	OFF	-
Press the key	-	-	One beep
Enter into programming mode	ON	-	One beep
In the programming mode	ON	ON	-
Operation error	-	-	Three beeps
Open lock	-	ON	One beep
Low battery reminding	-	Orange LED ON	Three beeps when press any button

(Note: When the battery runs out, can use the USB cable for emergency power or use the mechanical key to open the lock)

PACKING LIST

Name	Quantity
Packaging Box	1pc
Smart Door Lock	1pc
Lock Body	1pc
Manual	1pc
Accessory Bag	1pc