

FBL6000 Pro

Flap Barrier with Modular Design



RFID



Fingerprint



QR code



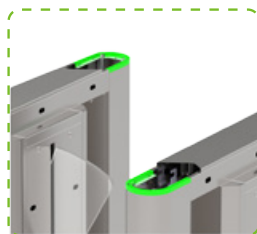
Palm verification



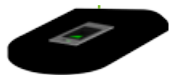
Visible light facial recognition



FBL6000 Pro is a flap barrier with a modular design that realizes fast switching between different readers. And reader installation can be completed by merely pull-out and plug-in. After installing the corresponding readers, FBL6000 Pro can support multiple verification methods, including RFID, fingerprint, QR code, palm verification and visible light facial recognition. Especially, palm verification and visible light facial recognition can realize touchless entrance control that helps avoid catching bacteria or germs from contaminated surfaces.



RFID



Fingerprint



QR code



Palm verification



Visible light facial recognition

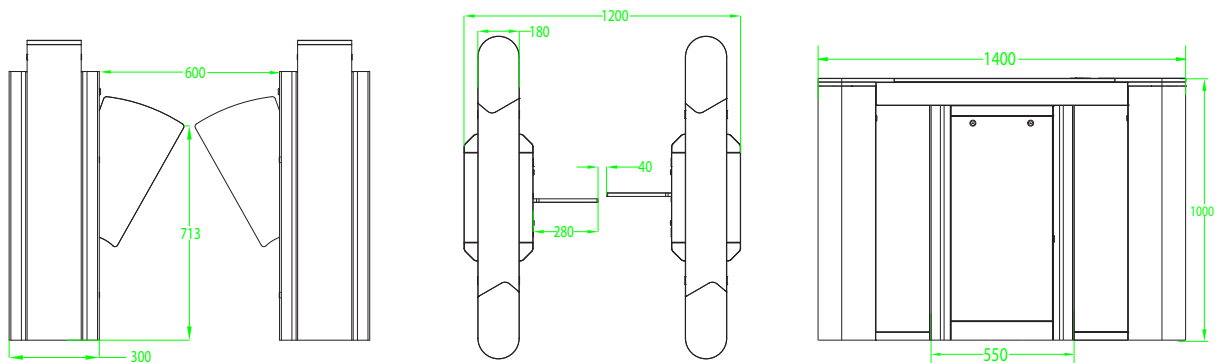
Modular design readers are also suitable for SBTL6000 series.



Specifications

Power Requirements	AC 100 ~ 120V / 200 ~ 240V, 50 / 60Hz
Working Temperature	-28°C ~ 60°C
Working Humidity	5% ~ 80%
Working Environment	Indoor / outdoor (if sheltered)
Speed of Throughput	Maximum 30 / minute
Lane Width (mm)	600
Dimensions (L*W*H)	1400 * 300 * 1000 (mm)
Dimension with Packing (L*W*H)	1510 * 780 * 1230 (mm)
Weight with Packing (kg)	155
LED Indicator	Support
Cabinet Material	SUS304 Stainless Steel
Lid Material	SUS304 Stainless Steel + Acrylic
Barrier Material	Acrylic
Barrier Movement	Retracting
Emergency Mode	Support

Dimensions (mm)



V1.1 2020.09.08