

PRODUCT TECHNICAL DATASHEET

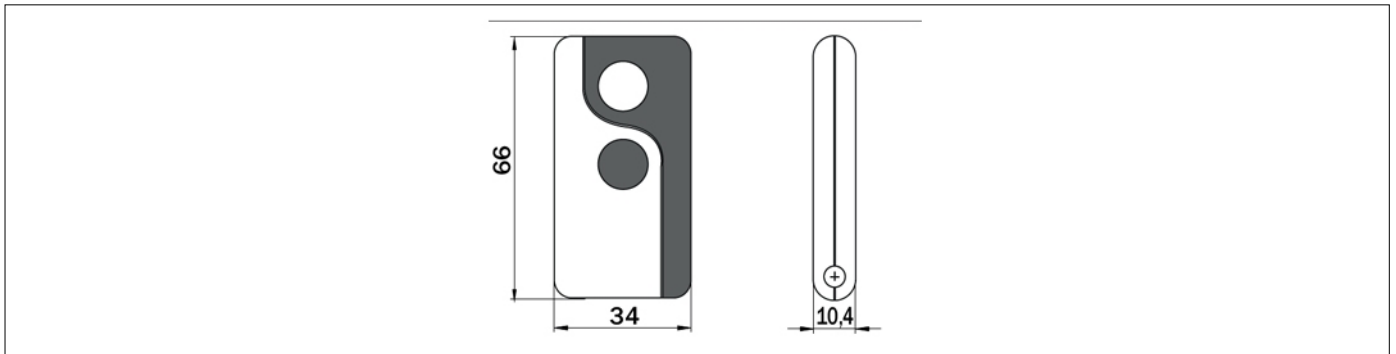
SYNUS/2



CODE	DESCRIPTION	PCS/PALLET
SYNUS/2	Dual code transmitter (modality fixed code or rolling code), 433,92 Mhz. 2 channels, with radio for copy.	

PRODUCT TECHNICAL SPECIFICATIONS	
Standard power	3V DC
Absorption	8mA
Operating temperature	-10+55 °C
Number of channels	2
Codification	Fix code or Rolling Code
Modulation	AM/ASK
Carried frequency	433.92MHz
Number of combinations	65.536 (Fix code) - 4.294.967.296 (Rolling code)
Types of fixed codes clonable	MANCHESTER,PCM, Max.64bit
Number of bits of the identification code	16 (Fix code) - 32 (Rolling code)
Number of bits transmitted	28 (Fix code) - 144 (Rolling code)
Radio for copy	Yes (only fixed code)
Maximum distance in open field	150m
Battery	Mod "CR2032" 3V
Maximum dimension product in mm (L x W x H)	38 x 68 x 11
Product weight packed (Kg)	0,04

PRODUCT DIMENSIONS AND PREPARING FOR INSTALLATION



DIMENSIONS