

## IRIS PS72 Back-up Power Supply Unit

### EN54-4

### Description

IRIS PS72 is a power supply unit designed for back-up power supply of IRIS PRO addressable fire alarm panel. The power supply unit is placed into a metal box suitable for building of a modular structure with the addressable panel and a second power supply unit, and IRIS thermal printer. The access to the main board and the cable connections is secured with a key.

The power supply unit is designed for indoor use only.  
IRIS PS72 is certified to EN54-4.



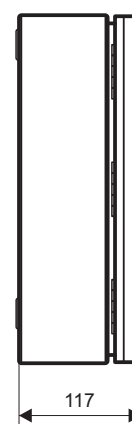
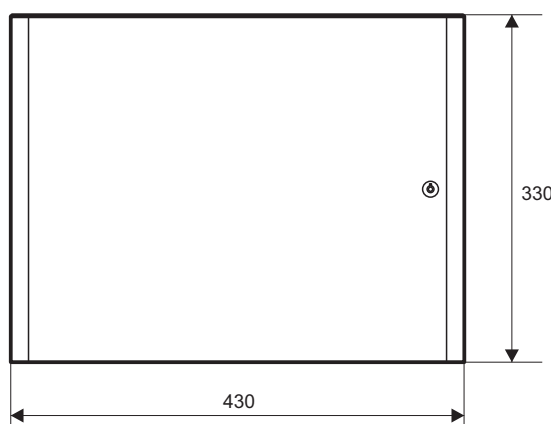
### Technical and Environmental Specifications

Main power supply	230V~ +10%/ -15%, 0.6A, 4A fuse
Frequency	50-60Hz
DC Output:	
- Voltage	9.9-14.2V==
- Max. Current	7A@1 battery, 14A@2 batteries
Int. resistance of the battery Ri	< 0.30hm
Max. battery capacity	2x12V/18Ah
Charger outputs	13.65V== ±1%@20°C, max. 2A
Degree of protection	IP30
Installation wires	0.5mm <sup>2</sup> -2.5mm <sup>2</sup>
Color of the box	grey
Material	metal powder-coated
Operation temperature	-5°C ÷ +40°C
Storage temperature	-10°C ÷ +60°C
Relative humidity	(93 ± 3)% @ +40°C
Dimensions	430x330x117mm
Max. dimensions of 1 battery	167x181x76mm
Weight (without batteries)	~6kg

**CE**<sub>18</sub>  
**1293**

DoP No: 059  
1293-CPR-0610

EN 54-4:1997  
EN 54-4:1997/AC:1999  
EN 54-4:1997/A1:2001  
EN 54-4:1997/A2:2006



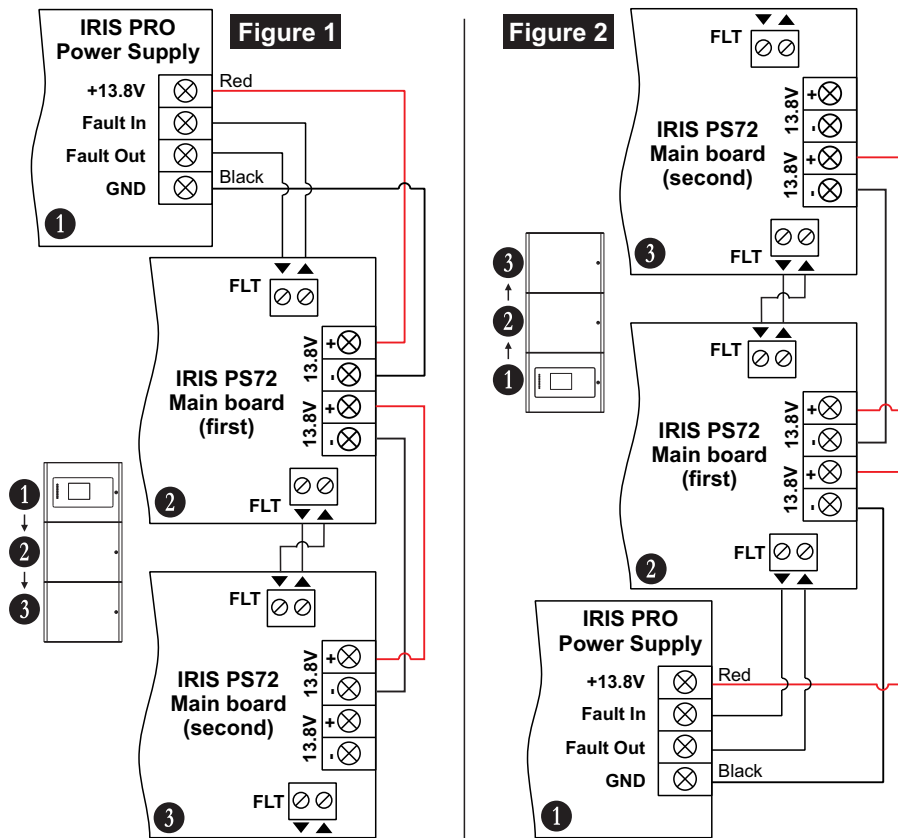
### Contact Information:

## IRIS PS72

### Back-up Power Supply Unit

## EN54-4

### Connection Diagrams



### Packing Information

- **Single packing box** - 1 unit IRIS PS72, dimensions 435x335x122mm
- **Carton packing box** - 2 units IRIS PS72, dimensions 507x427x335mm

### Compatible Product Range

- **IRIS PRO** - Addressable Fire Alarm Panel, 4 loops, 96 zones
- **IRIS Thermal Printer** - Optional thermal printer in metal box

### Contact Information: