

LBB4430/00 Call station

www.boschsecurity.com



BOSCH

Invented for life



- ▶ Redundant network connection
- ▶ Power 'ON' indication
- ▶ Status/fault indications
- ▶ Indication that the priority level of destinations is higher than that of the pending announcement
- ▶ Supervision of microphone capsule

The call station basic can make manual or pre-recorded announcements to any pre-assigned zones. The call station basic has a microphone on a flexible stem, a push-to-talk button, a speaker, and a headset socket.

The LBB 4430/00 can be extended with up to 16 keypads (LBB 4432/00 or LBB 4434/00), each with eight programmable keys. Extension with a numeric keypad (PRS-CSNKP) is also possible.

Functions

The call station has a cardioid, supervised microphone on a gooseneck stem with good speech intelligibility. A limiter and a speech filter improve intelligibility and prevent clipping of the audio. It has a volume control for the monitoring speaker and the headset. When it plays a chime or a pre-recorded message, the call station activates its speaker. When a headset is connected, it replaces the microphone and speaker. The call station has its own DSP, and converts between analog and digital audio. The audio processing can include sensitivity adjustment, limiting, and parametric equalization.

Up to 16 call station keypads can connect to the station via a serial communication link. The station provides the power for the keypads. Up to 224 priorities can be assigned to the call station. All configuration can be done via the Praesideo network controller.

The call station is fully supervised and supports fail-safe operation. Even if the Praesideo network controller fails, the call station is still able to put through emergency calls.

Controls and indicators

- Three status LEDs
- Configurable PTT-key
- Volume control for loudspeaker/headset

Interconnections

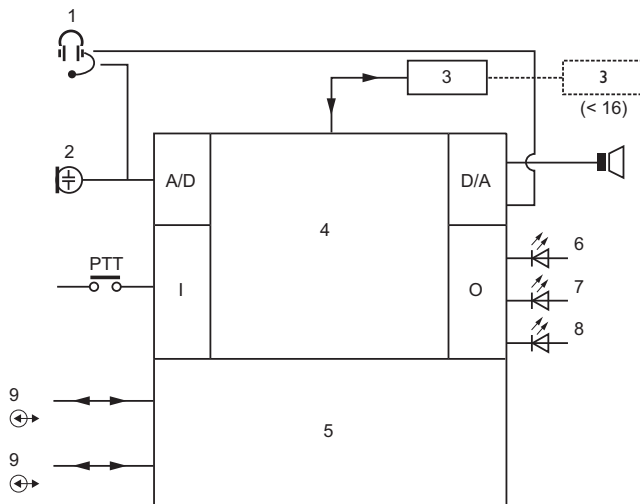
- Two system network connections
- Serial data and power supply interface for call station keypads
- 3.5 mm jack for headset

Certifications and approvals

Immunity	acc. to EN 55103-2 / EN 50130-4 / EN 50121-4
Emissions	acc. to EN 55103-1 / FCC-47 part 15B
Emergency	acc. to EN 54-16 / ISO 7240-16

Region	Regulatory compliance/quality marks	
Europe	CPR	EU CPR Telefication
	DOP	
	CE	
	CE	COC
	CE	CertAlarm
	CE	DECL_CE_LBB4430/00
	GL	
Poland	CNBOP	

Installation/configuration notes



- 1 Headset
- 2 Microphone
- 3 Keypad(s)
- 4 Network processor and DSP
- 5 Network redundancy switching
- 6 Power/error
- 7 Call station status
- 8 Network status
- 9 Network connections

Parts included

Quantity	Component
1	LBB 4430/00 Call Station Basic
1	Flat cable

Technical specifications

Electrical

External power supply	18 to 56 VDC
Power consumption	4.4 W (DC) excluding keypads

Microphone

Nominal acoustic input level	75 to 90 dB SPL
S/N	>60 dB at 85 dB SPL
Frequency response	340 Hz to 14 kHz (-3 dB)

Loudspeaker

S/N	80 dB at max. output
Sound pressure level	85 dB (SPL) at 0.5 m and 1 kHz

Headset

Connector	3.5 mm jack
Recommended type	Hosiden HBH 0058

Mechanical

Dimensions (H x W x D)	90 x 160 x 200 mm
Weight	0.95 kg (2.1 lb)
Mounting	Tabletop
Color	Charcoal
Length of mic stem	380 mm

Environmental

Operating temperature	-5 °C to +45 °C (+23 °F to +113 °F)
Storage and transport temperature	-20 °C to +70 °C (-4 °F to +158 °F)
Humidity	15% to 90%
Air pressure	600 to 1100 hPa

Ordering information

LBB4430/00 Call station

Call station with microphone on a flexible stem, push-to-talk button and monitoring loudspeaker, powered from Praesideo network.

Order number **LBB4430/00**

Accessories

LBB4434/00 Call station keypad kit

PCB to extend a custom call station with 8 programmable buttons and status indicators, up to 16 keypad kits can be connected to a call station.
Order number **LBB4434/00**

LBB4432/00 Call station keypad

Call station keypad with 8 programmable buttons and status indicators, up to 16 keypads can be connected to a call station.
Order number **LBB4432/00**

PRS-CSNKP Call station numeric keypad

Call station numeric keypad and LCD for controlled user access and zone selection in large systems, can be combined with call station keypads.
Order number **PRS-CSNKP**

Services

EWE-CLSBAS-IW 12mths wrty ext. Call Station basic

12 months warranty extension
Order number **EWE-CLSBAS-IW**

Represented by:

Europe, Middle East, Africa:
Bosch Security Systems B.V.
P.O. Box 80002
5600 JB Eindhoven, The Netherlands
Phone: + 31 40 2577 284
emea.securitysystems@bosch.com
emea.boschsecurity.com

Germany:
Bosch Sicherheitssysteme GmbH
Robert-Bosch-Ring 5
85630 Grasbrunn
Germany
www.boschsecurity.com

North America:
Bosch Security Systems, LLC
130 Perinton Parkway
Fairport, New York, 14450, USA
Phone: +1 800 289 0096
Fax: +1 585 223 9180
onlinehelp@us.bosch.com
www.boschsecurity.us

Asia-Pacific:
Robert Bosch (SEA) Pte Ltd, Security Systems
11 Bishan Street 21
Singapore 573943
Phone: +65 6571 2808
Fax: +65 6571 2699
apr.securitysystems@bosch.com
www.boschsecurity.asia