

Traffic Light



- 124mm lens diameter
- Red/Green/Yellow LED lamps

The Traffic Light provides a visual indication for access control applications.

For further details contact our sales department



180 degree movement

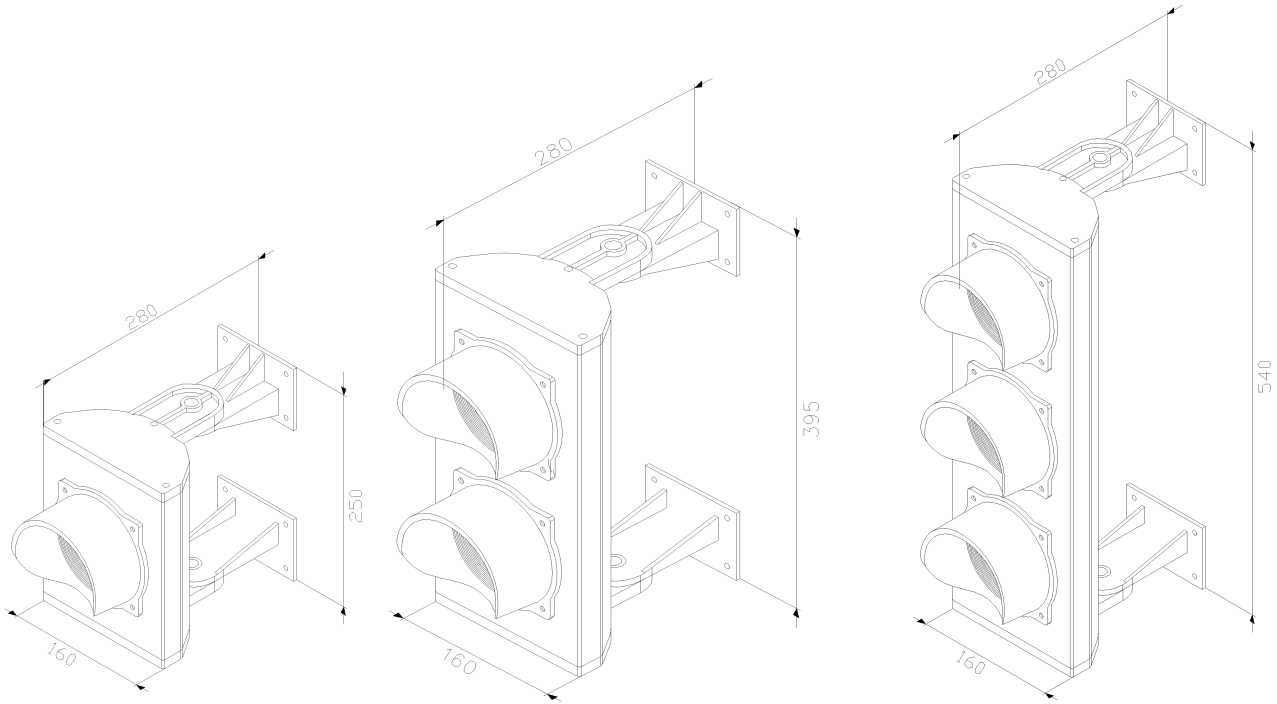


Illuminated red light



M20 cable entry

Dimensions



Technical data sheet

Power supply	LAMP			LED			LED		
	230 V a.c.			24 V a.c. / d.c.			230 V a.c. – d.c.		
Weight	1 Lens	2 Lens	3 Lens	1 Lens	2 Lens	3 Lens	1 Lens	2 Lens	3 Lens
	1,13 kg	1,81 kg	2,38 kg	1,23 kg	1,95 kg	2,65 kg	1,35 kg	2,20 kg	3,00 kg
Lens colour	Red; Green; Yellow			Red; Green; Yellow			Red; Green; Yellow		
Consumption value	Max 70 w			Max 3 w			Max 3 w		
Middle life lamp	8000 h			100.000 h			100.000 h		
Lens diameter	mm. 124			mm. 124			mm. 124		