

■ Datasheet: Wall mounted switches program VISIO IP54



EV21xxx--

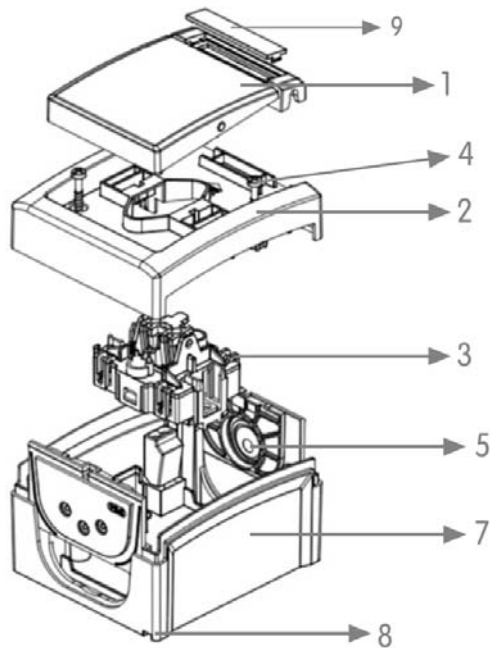
■ Schrack - Info

- Ability to attach label to all products as per requirement of use
- A patented seal system which allows cable entry from the nearest point to the wall, preventing bending
- Faster and safe installations by just pressing the cable into the double injection seals which are suitable for single and multiple cable entries
- Amble space below the sockets allow through connection of entire, unisolated cables
- Safer socket outlet products with a newly designed ground contact
- Fast and easy cable installations with quick connectors for 2,5mm² wires
- Fast product installations with innovative "Rapid" screws
- Resistance to shock, chemical and thermal environments with its fiber-reinforced thermoplastic material
- Additional ground connector provided for switch products allowing quick connection
- With patented modular design of horizontal and vertical products; various product combinations could be done simple by changing the part
- Socket combinations are prewired

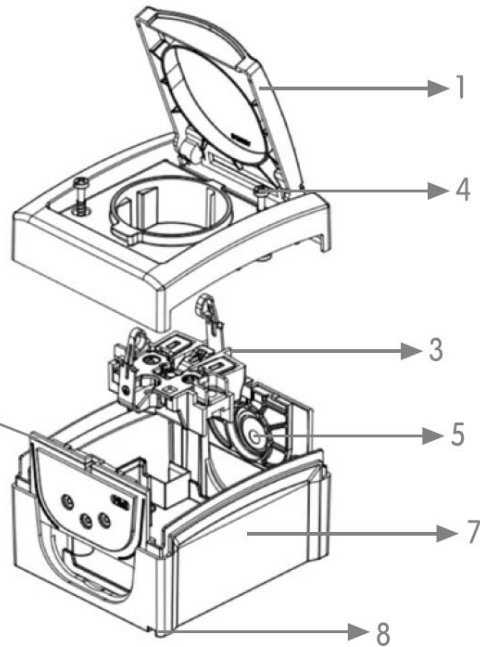
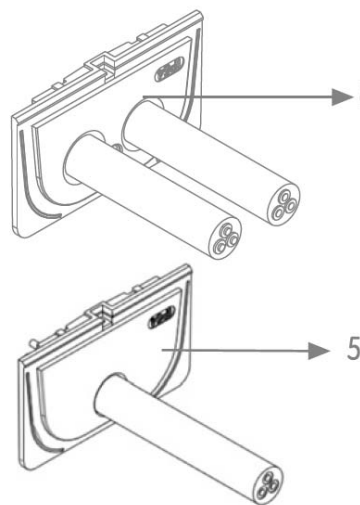
■ Technical data:

Material:	Plastic
Material quality:	Thermoplastic
Halogen free:	Yes
Colour:	Grew
Connection system:	Cage clamps (only the EV210008-- has screw clamps)
Clamps:	2,5mm ²
Mounting method:	Wall mounted
Protection class:	IP54

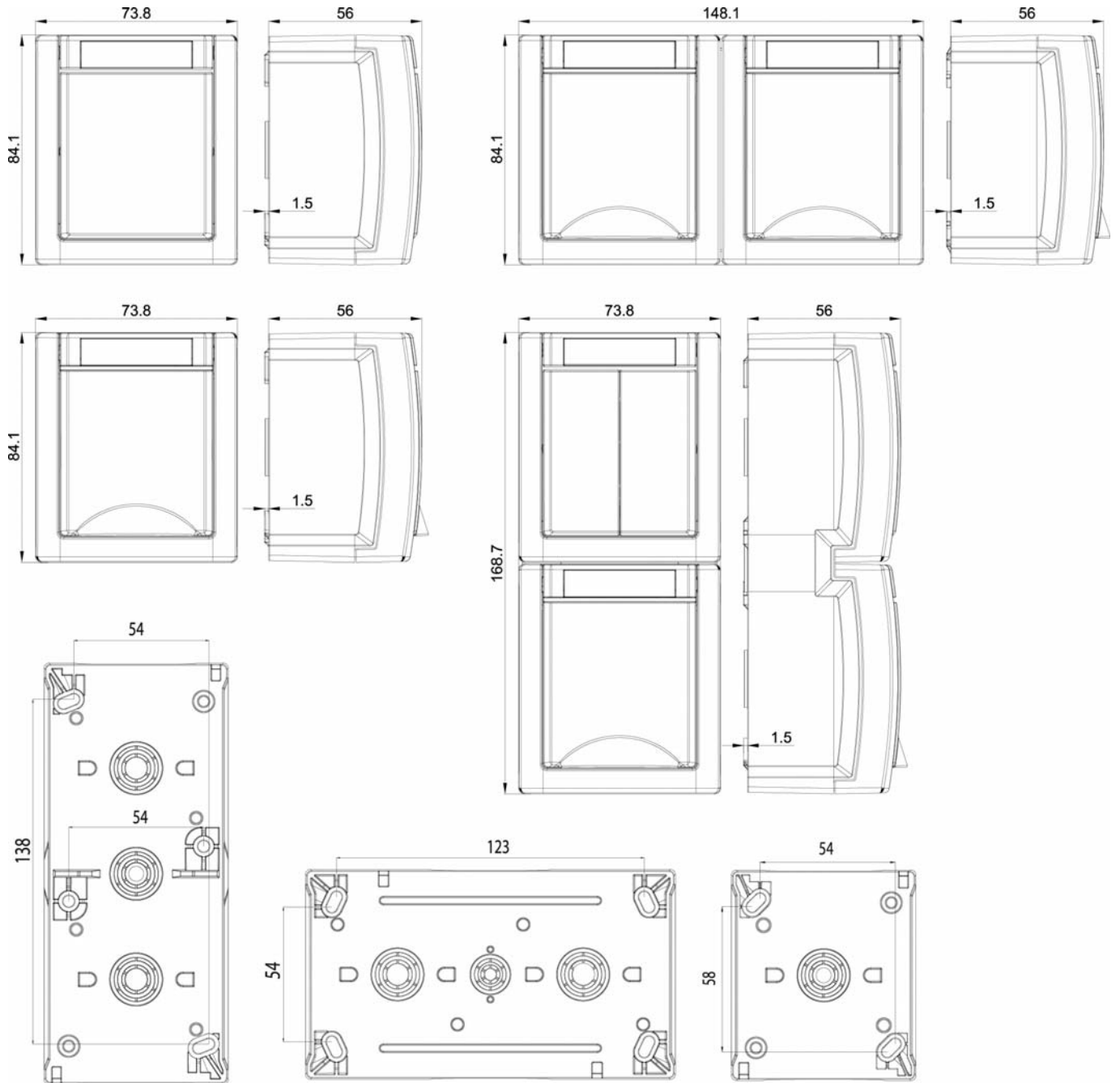
Assembly



1. Switch/Socket Cover
2. Upper Body - Switch/Socket Outlet
3. Mechanism
4. Fixing crews
5. Single-entry seal
6. Multi-entry seal
7. Lower body
8. Water discharge hole
9. Label window



Dimensions



Article list

DESCRIPTION	ORDER NO.
Switches / push buttons	
on/off switch, 10A, 1 pole, quick connection, IP54, grew	EV210001--
on/off switch with label (Heizung Notschalter, Heating Emergency Switch), 16A, 2pole, screw connection, IP54, grew	EV210008--
series switch, 10A, quick connection, IP54, grew	EV210009--
changeover switch, 10A, quick connection, IP54, grew	EV210011--
changeover switch with orientation light, 10A, quick connection, IP54, grew	EV210013--
changeover switch with pilot lamp, 10A, quick connection, IP54, grew	EV210015--
intermediate switch, 10A, quick connection, IP54, grew	EV210017--
push button with normally opener contact, 10A, quick connection, IP54, grew	EV210019--
push button with normally opener contact, neutral base and orientation light, 10A, quick connection, IP54, grew	EV210020--
push button with normally opener contact and orientation light, 10A, quick connection, IP54, grew	EV210021--
push button with changeover contact, 10A, quick connection, IP54, grew	EV210022--
double push button, 10A, quick connection, IP54, grew	EV210023--
blind switch, 10A, quick connection, IP54, grew	EV210025--
Sockets	
earthed socket, 16A, quick connection, IP54, grew	EV211001--
earthed socket, lockable with different keys, 16A, quick connection, IP54, grew	EV211002--
earthed pin socket, 16A, quick connection, IP54, grew	EV211005--
earthed pin socket with child protection, 16A, quick connection, IP54, grew	EV211016--
2-gang combinations	
vertical combination on/off switch 1 pole, 10A, & earthed socket, 16A, quick connection, IP54, grew	EV211003--
vertical combination series switch, 10A, & earthed socket, 16A, quick connection, IP54, grew	EV211004--
vertical combination changeover switch, 10A, & earthed socket, 16A, quick connection, IP54, grew	EV211015--
horizontal combination changeover switch, 10A, & earthed socket, 16A, quick connection, IP54, grew	EV211017--
vertical combination 2gang earthed socket, prewired, 16A, quick connection, IP54, grew	EV211013--
horizontal combination 2gang earthed socket, prewired, 16A, quick connection, IP54, grew	EV211014--
vertical combination 2gang earthed pin socket, prewired, 16A, quick connection, IP54, grew	EV211011--
horizontal combination 2gang earthed pin socket, prewired, 16A, quick connection, IP54, grew	EV211012--
3-gang combinations	
horizontal combination 3gang earthed socket, prewired, 16A, quick connection, IP54, grew	EV211018--
Accessories	
transparent sign for labeling the VISIO IP54 switches and sockets	EV217001--
adaptor for vertical add-on of VISIO IP54 switches and sockets, 5 pieces	EV217002--