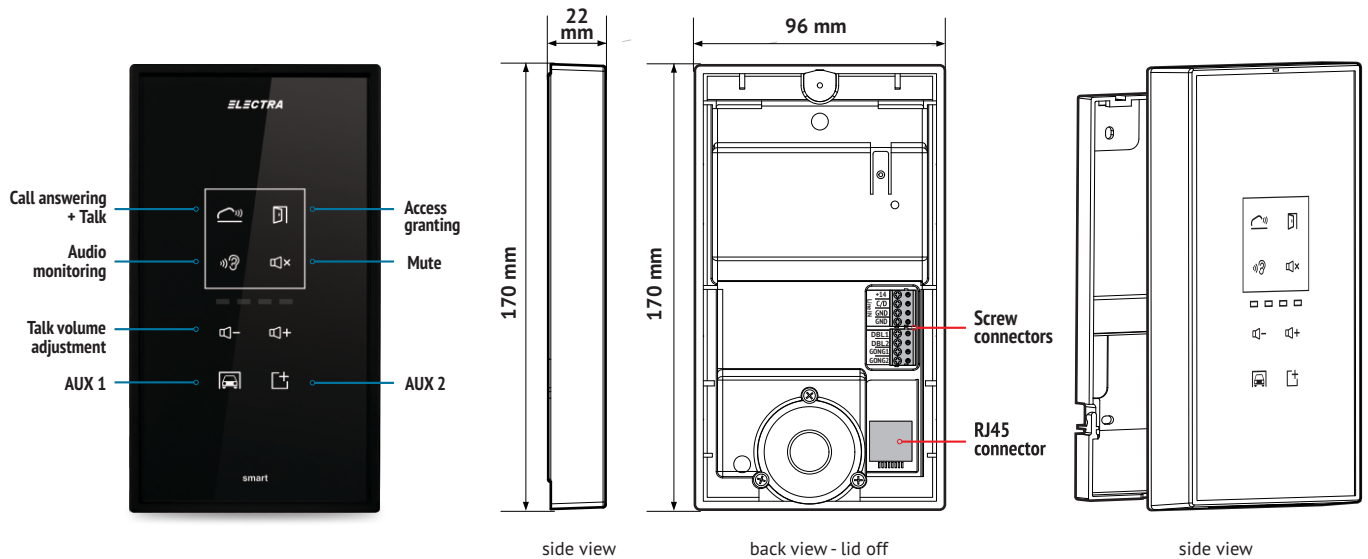


TL Touch Line door entry systems

smart AUDIO INDOOR TERMINAL



Product codes

- Black: ATM.OS403.ELB04
- White: ATM.OS403.ELW04

Features

- Call & option for duration setting: 1/ 2/ 3 calls / 1 min.
- Answer and full-duplex hands-free talk, without handset;
- 4 volume levels with LED indicator and mute key;
- Access granting during call, talk and monitoring;
- Audio monitoring, with bidirectional talk;
- 5 ringtone options;
- 2 AUX keys for additional automations: auto gate, garage door, lighting device, etc.
- Up to 3 audio terminals or 1 video terminal in parallel;
- Connectors for DOORBELL and GONG functions included.

Mechanical characteristics

- 3mm toughened Glass on a fireproof ABS case - IP 31
- Backlit touch keyboard
- Surface mounting
- Size: 170 x 96 x 22 mm
- Weight: 0.3 kg
- Operating temperatures: 0°C ... +45°C

Electrical characteristics

- Operating voltage: 11 ... 14 Vd.c.
- Stand-by current: 14 mAd.c.
- Operating current: 70 mAd.c.
- Available electrical connections: screw connectors and RJ45
- Recommended cables depending on the distance between the central unit and the last terminal in the system:
 - Any cable with 4 Wires/ min. 0.5 mm² for max. 100 m
 - UTP/FTP cat5e (AWG24) or UTP/FTP cat6 (AWG23) for max. 200 m

Standards

The following standards and technical specifications have been applied:

SR EN 60950-1:2006 + A1:2011 + A2:2014 + A11:2009 + A12:2014 + AC:2011 + C91:2010; SR EN 55022:2011 + AC:2011; SR EN 55024:2011 + A1:2015; SR EN 61000-3-2 2015; SR EN 61000-3-3:2014.