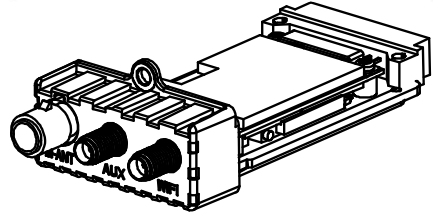


AE-MP1460 Series Mobile Wireless Component



Introduction

The mobile wireless component is a built-in 3G/4G and Wi-Fi module providing flexible data transmission solutions. It can be used in DS-M5504HM-T, DS-MP5504, DS-MP5604, DS-MP5604N, DS-MP7516, DS-MP7608, DS-MP7608HN, and DS-MP7608H mobile video recorders.

Available Model

DS-MP1460/WI58, (supports 5G Wi-Fi)

DS-MP1460/GW, (supports 3G dialing)

DS-MP1460/GW/WI58, (supports 3G dialing and 5G Wi-Fi)

DS-MP1460/GLF, (supports 4G dialing)

DS-MP1460/GLF/WI58, (supports 4G dialing and 5G Wi-Fi)

AE-MP1460/GLF/S, (supports 4G dialing)

AE-MP1460/GLF/WI/S, (supports 4G dialing and 2.4G Wi-Fi)


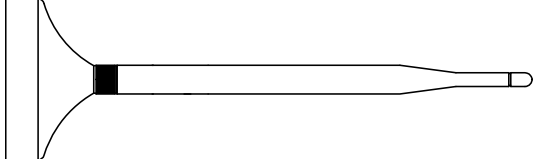
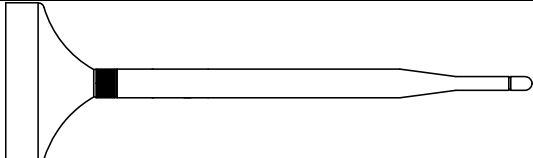
AE-MP1460/GLF/WI58/S, (supports 4G dialing and 5G Wi-Fi)



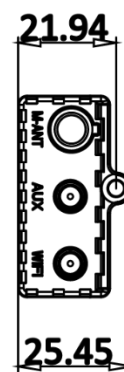
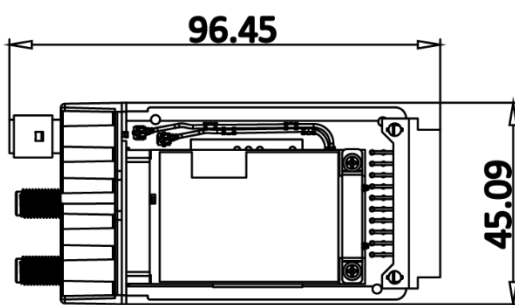
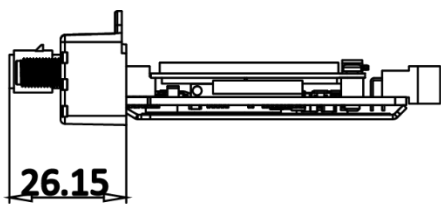
Specification

Model		AE-MP1460
Wireless Network	3G Module (Global)	<ul style="list-style-type: none"> • GW models 1 × 3G card slot, 1 × Rosenberger antenna Bands: WCDMA: B1/B2/B5/B8
	4G Module (Europe, Africa, Asia)	<ul style="list-style-type: none"> • GLF models 1 × 4G card slot, 1 × Rosenberger antenna Bands: FDD LTE: B1/B2/B3/B4/B5/B7/B8/B20 WCDMA: B1/B2/B5/B8
	4G Module (Latin, Australia, Taiwan)	<ul style="list-style-type: none"> • GLF models 1 × 4G card slot, 1 × Rosenberger antenna Bands: FDD LTE: B1/B2/B3/B4/B5/B7/B8/B28 TDD LTE: B40 WCDMA: B1/B2/B5/B8
	Wi-Fi Module	<ul style="list-style-type: none"> • WI models 1 × 2.4G Wi-Fi SMA antenna Standard: IEEE 802.11 a/b/g/n/ac Frequency Range: 2.4 to 2.5 GHz <ul style="list-style-type: none"> • WI58 models 2 × 5G Wi-Fi SMA antenna Standard: IEEE 802.11 a/b/g/n/ac Frequency Range: 2.4 to 2.5 GHz, 5.15 to 5.825 GHz
General	Power Supply	5 VDC
	Consumption	Standby: < 0.1 W Full load: < 5 W
	Working Temperature	-10 °C to +60 °C (+14 °F to +140 °F)
	Working Humidity	10% to 95%
	Dimension (W × D × H)	45 × 96.5 × 25.5 mm (1.77 × 3.8 × 1.0 inch)
	Weight	64 g (0.14 lb)

Packing List

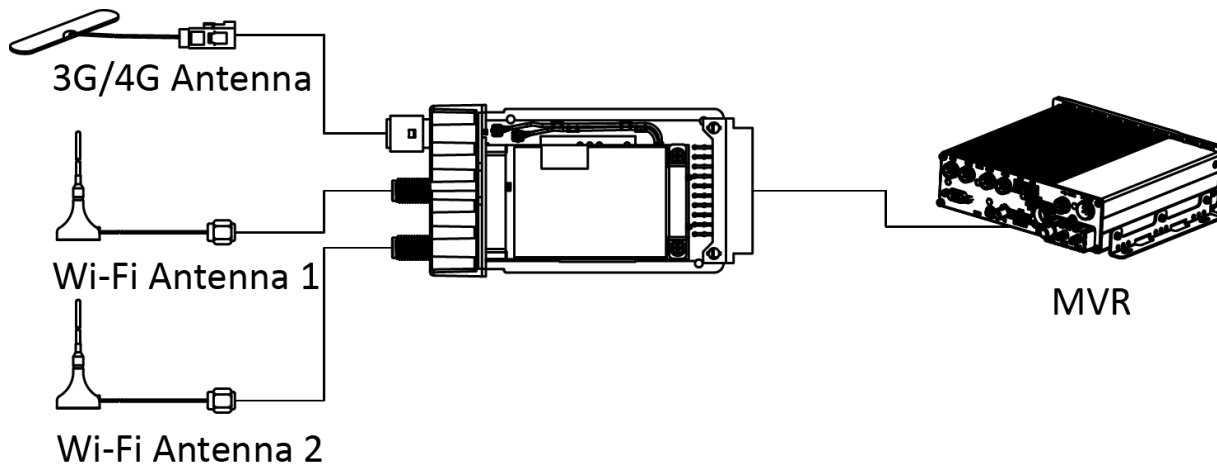
Description	Quantity	Picture	Note
3G/4G antenna	1		For GW/GLF models.
Wi-Fi antenna (2.4G)	1		For WI models.
Wi-Fi antenna (5G)	2		For WI58 models.

Dimension



Unit: mm

Peripheral Connection



Distributed by



HIKVISION

Headquarters

No.555 Qianmo Road, Binjiang District,
Hangzhou 310051, China
T +86-571-8807-5998
overseasbusiness@hikvision.com

Hikvision USA
T +1-909-895-0400
sales.usa@hikvision.com

Hikvision Australia
T +61-2-8599-4233
salesau@hikvision.com

Hikvision India
T +91-22-28469900
sales@pramahikvision.com

Hikvision Canada
T +1-866-200-6690
sales.canada@hikvision.com

Hikvision Thailand
T +662-275-9949
sales.thailand@hikvision.com

Hikvision Europe
T +31-23-5542770
sales.eu@hikvision.com

Hikvision Italy
T +39-0438-6902
info.it@hikvision.com

Hikvision Brazil
T +55 11 3318-0050
Latam.support@hikvision.com

Hikvision Turkey
T +90 (216)521 7070- 7074
sales.tr@hikvision.com

Hikvision Malaysia
T +601-7652-2413
sales.my@hikvision.com

Hikvision UK & Ireland
T +01628-902140
sales.uk@hikvision.com

Hikvision South Africa
Tel: +27 (10) 0351172
sale.africa@hikvision.com

Hikvision France
T +33(0)1-85-330-450
info.fr@hikvision.com

Hikvision Kazakhstan
T +7-727-9730667
nikia.panfilov@hikvision.ru

Hikvision Vietnam
T +84-974270888
sales.vt@hikvision.com

Hikvision UAE
T +971-4-4432090
salesme@hikvision.com

Hikvision Singapore
T +65-6684-4718
sg@hikvision.com

Hikvision Spain
T +34-91-737-16-55
info.es@hikvision.com

Hikvision Tashkent
T +99-87-1238-9438
uzb@hikvision.ru

Hikvision Hong Kong
T +852-2151-1761
info.hk@hikvision.com

Hikvision Russia
T +7-495-669-67-99
saleru@hikvision.com

Hikvision Korea
T +82-[0]31-731-8817
sales.korea@hikvision.com

Hikvision Poland
T +48-22-460-01-50
info.pl@hikvision.com

Hikvision Indonesia
T +62-21-2933759
Sales.Indonesia@hikvision.com

Hikvision Colombia
sales.colombia@hikvision.com